

BUYLOG SECTION 6

Molded Case Circuit Breakers



Table of contents

	Industrial circuit breakers		Ordering codes for Tmax XT accessories
6-4	How to order	6-120	Execution and installation
6-5	Features	6-123	Power connection
6-6	Quick reference guide	6-129	Signaling
		6-133	Operating mechanism
		6-139	Remote control
		6-145	Safety and protection
		6-154	Interlocks and switching devices
		6-156	Residual current devices
		6-157	Accessories for electronic trip units
	Formula circuit breakers for power distribution		
6-9	General characteristics		
6-10	Thermal-magnetic trip unit		
	Tmax XT circuit breakers		Record Plus circuit breaker ordering tables
6-11	Quick reference guide – circuit breakers for AC distribution	6-164	FB 100 product number structure and technical data
6-15	Quick reference guide – circuit breakers for DC distribution	6-165	FB 100 ordering tables
6-18	Characteristics - molded case switches	6-168	FB 100 internal accessories
6-20	Coordination – molded case switches	6-169	FB100 external accessories
6-22	Current limiting – circuit breakers		
6-25	Characteristics – circuit breakers for motor protection	6-170	Spectra RMS molded case switches ordering tables
	Q-Line ordering tables		Spectra RMS external accessories
6-26	Plug-in circuit breakers	6-171	Door-Mounted Operators
6-32	Bolt-on circuit breakers	6-172	Motor Operators and Plug-in Hardware
6-37	Cable-in cable-out (lug-lug) circuit breakers	6-173	Locking Devices
6-41	Accessories	6-174	Breaker Mounting Hardware and Kits
		6-175	Lugs and Associated Hardware
		6-176	Neutral Grounds and Sensors
		6-177	Plug-in Hardware
	Formula ordering tables	6-178	Selecting the right SACE® Tmax® XT frame based on your Spectra™ frame
6-43	Ordering code construction		
6-44	A1		
6-45	A2		
6-46	A1 and A2 accessories overview		
6-48	Mechanical accessories		
6-56	Electrical accessories	6-179	Common Spectra and SACE Tmax XT accessories
	Industrial circuit breakers ordering tables		
6-60	Thermal magnetic trip – type TEY/TEYF		
6-61	Thermal magnetic trip – type TEYD/TEYH/TEYL		
6-63	Thermal magnetic trip – E150 line, type TEB/TED/THED		
6-65	Internal accessories		
	Tmax XT1-XT7 circuit breaker ordering tables		
6-70	Ordering code construction Tmax XT1-XT7		
6-74	Ordering code construction Tmax XT7M		
6-77	Tmax XT1		
6-78	Tmax XT2		
6-85	Tmax XT3		
6-86	Tmax XT4		
6-94	Tmax XT5		
6-104	Tmax XT6		
6-106	Tmax XT7		
6-110	Tmax XT7M		

Industrial Circuit Breakers

How to Order

Q-Line

- Thermal Magnetic Circuit Breakers
- Molded-Case Switches

The product number as shown in the following pages includes the complete breaker or switch. TQD and TJD breakers are complete with Cu/Al line and load lugs.

E 150 Line

- Thermal Magnetic Circuit Breakers
- Magnetic Circuit Breakers
- Molded Case Switches

The product numbers as shown in the following pages include the complete breaker or switch. All devices listed come with Cu/Al line and load lugs. If line lugs are not required on a breaker, eliminate "WL" from product number; for molded case switches see the table below. Unless otherwise noted, all circuit breakers are UL listed in File E-11592. Molded case switches are UL listed in File E-57546.



Q-Line Thermal Magnetic Circuit Breakers
and Molded-Case Switches

Breaker/Switch Type	Suffix				
	Blank	WL	XL	X2	LL
TQD	Load Lugs Only	Line and Load Lugs	-	Line Lugs Only	No Lugs
Molded Case Breakers, Thermal Magnetic	Load Lugs Only	Line and Load Lugs	-	Load Lugs Only	No Lugs
Molded Case Switch	Line and Load Lugs	-	No Lugs	Line Lugs Only	Load Lugs Only

Molded Case Circuit Breakers

Features

Record Plus™ Molded Case Circuit Breakers

FB 100 circuit breakers are supplied with factory installed non-user interchangeable thermal-magnetic trip units and can be supplied with or without lugs. FB breakers are available in 1-, 2- and 3-pole versions.

All frames use common internal accessories (auxiliary switches, UV releases, shunt trips, and bell alarms) UL listed for field installation.

UL listed maximum short circuit ratings at 480VAC are 150kA for the 100A frames.

Unless noted otherwise, all circuit breakers and accessories are listed in UL file number E11592.



Record Plus™ Molded Case Circuit Breakers

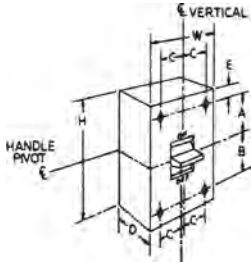
Other MCCB Features

- UL489/cUL489 Listed
- Broad product line to meet virtually any application need.
- Reduced downtime. A tripped breaker is easily spotted and can be immediately reset after the fault has been corrected.
- Eliminates single phasing. A common trip bar disconnects all poles simultaneously on both overloads and short circuits.
- Offers application flexibility through the use of a wide variety of accessory devices and special attachments.
- Repetitive operation—no fuses to replace.
- Breakers can be repetitively tested. Fuses must be destroyed to confirm calibration accuracy.

For more information on these products, visit electrification.us.abb.com.

Molded Case Circuit Breakers

Quick Reference Guide



THQL 32015

Ratings do not apply to molded case switches.

The interruption ratings and voltages shown in the table are maximum ratings. A circuit breaker of the type given in the lefthand column may be applied at the given circuit voltage in any electrical distribution system where the available fault current at the load terminals of the breaker does not exceed the value in the table. That circuit breaker type may also be applied at intermediate values of circuit voltage provided the available fault current at the load terminals of the breaker does not exceed the value in the table for the higher value of voltage.

Q-Line (UL file E-11592; Fixed Thermal Magnetic Trip Unit)

Circuit Breaker Type	Ampere Rating	No. Poles	Maximum Voltage Rating		UL Listed Interrupting Ratings—rms Symmetrical kA								Dimensions (in.)					Std. Pack			
					Vac				Vdc				H	W	D	A	B		C	E	
					120	120/240	240	277	480	600	125	250									
TQ	15-50	1	120/240	-	-	10	-	-	-	-	-	-	-	3	3/4	2 3/8	-	-	-	-	10
	15-60	2	120/240	-	-	10	-	-	-	-	-	-	-		1 1/2						5
THQP ¹	15-50	1	120/240	-	-	10	-	-	-	-	-	-	-	3 9/32	1/2	2 3/8	-	-	-	-	100
		2													1						50
TQL/TQB/TQC	10	1	120/240	-	-	52	-	-	-	-	-	-	-	3 9/32	1	2 3/8	-	-	-	-	50
		2					52	-	-	-	-	-	-		2						25
		3	240												3						15
THQL ¹	15-60	1	120/240	-	-	10	-	-	-	-	-	-	-	3 9/32	3	2 3/8	-	-	-	-	50
THQB ¹	15-125	2					10	-	-	-	-	-	-		1	2 3/8	-	-	-	-	25
THQC ¹	15-100	3	240												2						15
THHQB ¹	15-70	1	120/240	-	-	22	-	-	-	-	-	-	-	3 9/32	3	2 3/8	-	-	-	-	50
THHQC ¹	15-100	2					22	-	-	-	-	-	-		1	2 3/8	-	-	-	-	25
		3	240												2						15
THHQL ¹	15-60	1	120/240	-	-	22	-	-	-	-	-	-	-	3 9/32	3	2 3/8	-	-	-	-	50
	15-125	2					22	-	-	-	-	-	-		1	2 3/8	-	-	-	-	25
	15-100	3	240												2						15
TXQL ¹	15-30	1	120/240	-	-	65	-	-	-	-	-	-	-	3 9/32	3	2 3/8	-	-	-	-	50
TXQB ¹		2					65	-	-	-	-	-	-		1	2 3/8	-	-	-	-	25
TXQC ¹		3	240												2						15

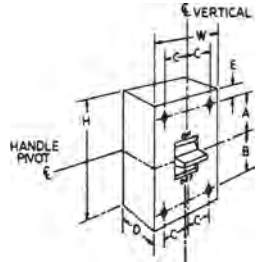
Ground Fault, Equipment Ground Fault, Arc Fault and Dual Function, Fixed Thermal Trip

THQL-GFT Long pigtail	15-30	1	120	-	-	10	-	-	-	-	-	-	-	3 9/32	1	2 3/8	-	-	-	-	10
	15-60	2	120/240	-	-	10	-	-	-	-	-	-	-		2						
THQL-GFT Short pigtail	15-20	1	120	-	-	10	-	-	-	-	-	-	-	3 9/32	1	2 3/8	-	-	-	-	10
							10	-	-	-	-	-	-		2						
THQL-GFT Plug-on neutral	15-30	1	120	-	-	10	-	-	-	-	-	-	-	3 9/32	1	2 3/8	-	-	-	-	10
		2	120/240	-	-	10	-	-	-	-	-	-	-		2						
THQB GFT, GFEP	15-30	1	120	-	-	10	-	-	-	-	-	-	-	3 9/32	1	2 3/8	-	-	-	-	10
	15-60	2	120/240	-	-	10	-	-	-	-	-	-	-		2						
THQC GFT, GFEP	15-30	1	120	-	-	10	-	-	-	-	-	-	-	3 9/32	1	2 3/8	-	-	-	-	10
		2	120/240	-	-	10	-	-	-	-	-	-	-		2						
THHQB THHQC GFT, GFEP	15-30	1	120	-	-	22	22	-	-	-	-	-	-	3 9/32	1	2 3/8	-	-	-	-	10
		2	120/240	-	-	22	22	-	-	-	-	-	-		2						
THHQL-GFT Long pigtail Plug-on neutral	15-30	1	120	-	-	22	22	-	-	-	-	-	-	3 9/32	1	2 3/8	-	-	-	-	10
		2	120/240	-	-	22	22	-	-	-	-	-	-		2						
THQL-GFEP	15-30	1	120	-	-	10	-	-	-	-	-	-	-	3 9/32	1	2 3/8	-	-	-	-	10
		2	120/240	-	-	10	-	-	-	-	-	-	-		2						
THHQL-GFEP	15-30	2	120/240	-	-	22	-	-	-	-	-	-	-	3 9/32	1	2 3/8	-	-	-	-	10
THQB THQC THQL ...AF2, DF	15-20	1	120/240	-	-	-	-	-	-	-	-	-	-	3 9/32	1	2 3/8	-	-	-	-	10
THHQB ...AF2, DF THHQL	15-20	1	120/240	-	-	22	-	-	-	-	-	-	-	3 9/32	1	2 3/8	-	-	-	-	10

¹UL listed as HACR (heating, air conditioning and refrigeration).

Industrial Circuit Breakers

Quick Reference Guide
10-1200A Circuit Breakers
Thermal Magnetic Trip



TEYD, TEYH, TEYL

Ratings do not apply to molded case switches.

Maximum interruption ratings and voltages shown. A circuit breaker of the type given in the left-hand column may be applied at the given circuit voltage in any electrical distribution system where the available fault current at the load terminals of the breaker does not exceed the value in the table.

That circuit breaker type may also be applied at intermediate values of circuit voltage provided the available fault current at the load terminals of the breaker does not exceed the value in the table for the higher value of voltage.

TEY and TEYF (UL/cUL File E-11592; TEYD/H/L (UL/cUL File E-11592)

Circuit Breaker Type	Ampere Rating	No. Poles	Maximum Voltage Rating		UL Listed Interrupting Ratings—rms Symmetrical kA										Dimensions (in.)					Approx. Ship Wt./Std. Pack			
			ac	dc	Vac					Vdc					H	W	D	A	B		C	E	
					120	120/240	240	277	480/277	480	600	125	250	500									
TEY ^{2,3}	15-100	1	277	125	65	-	14	14	-	-	-	10	-	-	5 1/4	1	3 1/16	-	-	-	-	-	
		2	480/277	250	-	-	65	14	14	-	-	-	10	-		2							
		3	-	-	-	-	-	-	-	-	-	-	-	3									
TEYF ^{2,3}	15-60	1	277	125	65	-	18	18	-	-	-	10	-	-	5 1/4	1	3 1/16	-	-	-	-	-	
		2	480/277	250	-	-	65	18	18	-	-	-	10	-		2							
		3	-	-	-	-	-	-	-	-	-	-	-	3									
TEYD	15-70	1	277	-	65	65	-	25	-	-	-	-	-	-	5 1/4	1	3 1/16	-	-	-	-	1 lb	
		2	480/277	-	-	65	65	-	25	-	-	-	-	-		2							2 lb
		3	-	-	-	-	-	-	-	-	-	-	-	-		3							2.7 lb
TEYH	15-70	1	277	-	65	65	-	35	-	-	-	-	-	-	5 1/4	1	3 1/16	-	-	-	-	1 lb	
		2	480/277	-	-	65	65	-	35	-	-	-	-	-		2							2 lb
		3	-	-	-	-	-	-	-	-	-	-	-	-		3							2.7 lb
TEYL	15-70	1	277	125	100	100	-	65	-	-	-	15	-	-	5 1/4	1	3 1/16	-	-	-	-	1 lb	
		2	480/277	250	-	100	100	-	65	-	-	42	20	-		2							2 lb
		3	-	-	-	-	-	-	-	-	42	35	-	-		3							2.7 lb

E150 (UL/cUL File E-11592)

TEB ^{2,3}	10-100 ⁴	1	120	125	10	-	-	-	-	-	5	-	-	6 5/16	1 3/8	3 3/8	2 41/64	2 15/64	-	23/32	26 lb/24	
		2	240	250	-	-	10	-	-	-	-	5	-		2 3/4						24 lb/12	
		3	-	-	-	-	10	-	-	-	-	-	-		4 1/8						28 lb/8	
TED ^{2,3}	10-100 ⁴	1	277, 347 ⁵	125	-	-	14	-	10	-	10	-	-	6 5/16	1 3/8	3 3/8	2 41/64	2 15/64	-	23/32	26 lb/24	
		2	480	250	-	-	18	-	-	18	-	10	-		2 3/4						24 lb/12	
		3 ⁷	480, 600	500	-	-	18	-	-	18	14	-	10		10 ¹						4 1/8	28 lb/8
THED ^{2,3}	15-30	1	277, 347 ⁵	125	-	-	65	-	-	-	10 ⁶	-	-	6 5/16	1 3/8	3 3/8	2 41/64	2 15/64	-	23/32	26 lb/24	
		2	480	250	-	-	65	-	-	25	-	10 ⁶	-		2 3/4						24 lb/12	
		3 ⁷	600	500	-	-	65	-	-	25	18	-	10		10 ¹						4 1/8	28 lb/8
		110-150	3 ⁷	600	500	-	-	42	-	-	18	-	10		10 ¹						4 1/8	28 lb/8

¹UL listed with poles in series for 500 Vdc ungrounded battery applications.

²UL listed as HACR (heating, air conditioning, and refrigeration).

³15-50A UL listed as HID (high intensity discharge).

⁴10 amp not UL listed, rated 5kA @ 120V, 240V and 480V

⁵UL/cUL listed for 10kA @ 347 Vac (TED) and 18kA @ 347V (THED).

Rated 10kA @ 480V but not UL listed.

⁶UL listed 10kA, GE tested to 20kA.

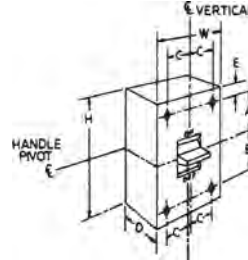
⁷TED, 3P, 600V, 15A breaker is obsolete. (TED136015WL & THED136015WL)

Industrial Circuit Breakers

Quick Reference Guide

15-600A Record Plus™ Circuit Breakers

The interruption ratings and voltages shown in the table are maximum ratings. A circuit breaker of the type given in the left-hand column may be applied at the given circuit voltage in any electrical distribution system where the available fault current at the load terminals of the breaker does not exceed the value in the table. That circuit breaker type may also be applied at intermediate values of circuit voltage provided the available fault current at the load terminals of the breaker does not exceed the value in the table for the higher value of voltage.



FG 600

Ratings

Type	Ampere Rating	Max AC/DC Voltage		No. Poles	UL Listed Interrupting Ratings - rms Symmetrical Amperes (in thousands) AC/DC Voltage								Dimensions (in.)			Approximate Ship wt./ Std. Pack
		AC	DC		Vac					Vdc		H	W	D		
					240V	277V	347V	480V	600/347V	250	500					
FBV	15-100	600/347VAC	500VDC	1	35	35	22	-	-	-	-	6.45 (163.8)	1.36 (34.5)	3.28 (83.3)	1.1 lb/1	
				2	65	-	-	35	22	25	-	6.45 (163.8)	2.74 (69.6)	3.28 (83.3)	2.6 lb/1	
				3	65	-	-	35	22	25	35	6.45 (163.8)	4.11 (104.4)	3.28 (83.3)	3.3 lb/1	
FBN	15-100	600/347VAC	500VDC	1	65	65	25	-	-	-	-	6.45 (163.8)	1.36 (34.5)	3.28 (83.3)	1.1 lb/1	
				2	150	-	-	65	25	30	-	6.45 (163.8)	2.74 (69.6)	3.28 (83.3)	2.6 lb/1	
				3	150	-	-	65	25	30	42	6.45 (163.8)	4.11 (104.4)	3.28 (83.3)	3.3 lb/1	
FBH	15-100	600/347VAC	500VDC	1	100	100	35	-	-	-	-	6.45 (163.8)	1.36 (34.5)	3.28 (83.3)	1.1 lb/1	
				2	200	-	-	100	35	42	-	6.45 (163.8)	2.74 (69.6)	3.28 (83.3)	2.6 lb/1	
				3	200	-	-	100	35	42	65	6.45 (163.8)	4.11 (104.4)	3.28 (83.3)	3.3 lb/1	
FBL	15-100	600/347VAC	500VDC	1	100	150	42	-	-	-	-	6.45 (163.8)	1.36 (34.5)	3.28 (83.3)	1.1 lb/1	
				2	200	-	-	150	42	65	-	6.45 (163.8)	2.74 (69.6)	3.28 (83.3)	2.6 lb/1	
				3	200	-	-	150	42	65	80	6.45 (163.8)	4.11 (104.4)	3.28 (83.3)	3.3 lb/1	

Formula circuit breakers for power distribution

General characteristics

The FORMULA circuit breakers from 15 A to 250 A consist of the interruption component together with the trip unit and can be installed:

- Directly on the back plate of cubicles
- On a DIN rail

They are characterized by:

- Fixed version
- Polarity: 1-pole, 2-pole, 3-pole
- Maximum breaking capacity of 25 kA at 240 V AC
- Fixed thermal-magnetic trip unit (TMF) for protection of networks in alternating current
- A single depth of 2.36"
- Standard front terminals

FORMULA A1



1-pole



2-pole



2-pole



3-pole

		A1				A2	
Frame size	A	100				250	
Rated current, In	A	15–100				125–250	
Poles	No.	1, 2, 3				2, 3	
Rated service voltage, Ue (AC) 50–60 Hz (DC)	V	240 (1p, 2p, 3p) 125 (1p), 250 (2p,3p)				240 (2p, 3p) 250 (2p,3p)	
Versions		Fixed				Fixed	
Performance Level		A		N		A	
Pole	No.	1	2, 3	1	2, 3	2, 3	N
Rated ultimate short circuit breaking capacity, Icu							
Interrupting rating at 240 V 50–60 Hz (AC)	kA	10	10	18	25	10	25
Interrupting rating at 125 V (DC) 1-pole (in 2012)	kA	5	–	10	–	–	–
Interrupting rating at 250 V (DC) 2-pole in series (2p, 3p) (in 2012)	kA	–	5	–	10	10	25
Reference standard		UL 489				UL 489	
Isolation behavior		Yes				Yes	
Mounting onto DIN rail		DIN EN 50022				DIN EN 50022	
Dimensions (width x depth x height)							
1-pole	in.	1.00 x 2.36 x 5.12				–	
2-pole	in.	2.00 x 2.36 x 5.12				2.76 x 2.36 x 5.91	
3-pole	in.	3.00 x 2.36 x 5.12				4.13 x 2.36 x 5.91	
Weight							
1-pole	lbs.	0.54				–	
2-pole	lbs.	1.04				1.61	
3-pole	lbs.	1.54				2.43	
Trip unit — Thermal-magnetic TMF		Yes				Yes	

Formula circuit breakers for power distribution

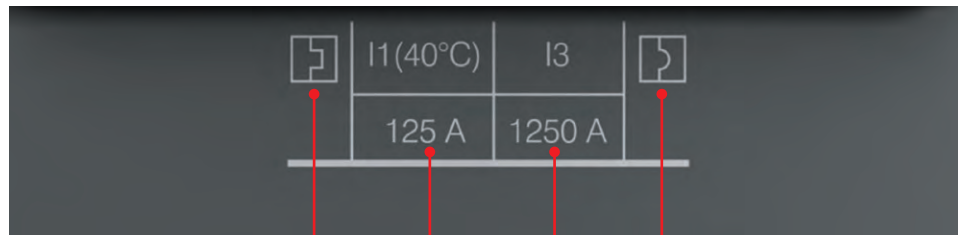
Thermal-magnetic trip unit

The thermal-magnetic trip units TMF, with fixed thermal and magnetic threshold, are generally used in power distribution plants. They allow protection against overloads due to the thermal device and protection against short circuit due to the magnetic device:

- Thermal protection (L): fixed threshold $I_1 = 1 \times I_n$, with long inverse time trip curve
- Magnetic protection (I): fixed threshold $I_3 = 10 \times I_n$, with instantaneous trip curve

Fixed thermal-magnetic trip unit TMF

An example with FORMULA A2 $I_n = 125$ A



Thermal protection symbol

Magnetic protection symbol

Thermal protection value

Magnetic protection value

FORMULA A1 with trip unit TMF

TMF												
L $I_1 = 1 \times I_n$	In (A)	15	20	25	30	40	50	60	70	80	90	100
	Neutral (A) — 100%	15	20	25	30	40	50	60	70	80	90	100
I $I_3 = 10 \times I_n$	I3 (A)	300 ¹	300 ¹	300 ¹	300 ¹	400	500	600	700	800	900	1000
	Neutral (A) — 100%	300	300	300	600	400	500	600	700	800	900	1000

¹Single- and two-pole versions have an I3 (3) of 400.

FORMULA A2 with trip unit TMF

TMF								
L $I_1 = 1 \times I_n$	In (A)	125	150	175	200	225	250	
	Neutral (A) — 100%	125	150	175	200	225	250	
I $I_3 = 10 \times I_n$	I3 (A)	1250	1500	1750	2000	2250	2500	
	Neutral (A) — 100%	1250	1500	1750	2000	2250	2500	

Tmax XT circuit breakers for (AC) distribution



Molded case circuit breakers (MCCB)			XT1			XT2					
Frame Size	[A]		125			125					
Poles	[No.]		3, 4			3, 4					
Rated voltage	(AC) 50-60Hz	[V]	480 V Δ ²			600					
Versions			Fixed, Plug-in			Fixed, Plug-in, Withdrawable					
Interrupting ratings			N	S	H	N	S	H ¹	L ¹	V ¹	X
	240 V (AC)	[kA]	50	65	100	65	100	150	200	200	200
	480 V (AC)	[kA]	25	35	65	25	35	65	100	150	200
	600Y/347 V (AC)	[kA]	18	22	25	-	-	-	-	-	-
	600 V (AC)	[kA]	-	-	-	18	22	25	35	42	42
Mechanical life		[No. Operations]	25000			25000					
		[No. Hourly operations]	240			240					
Dimensions - Fixed (Width x Depth x Height)	3-poles	[mm]/[in]	[76.2 x 70 x 130] / [3 x 2.75 x 5.12]			[90 x 82.5 x 130] / [3.54 x 3.25 x 5.12]					
	4-poles	[mm]/[in]	[101.6 x 70 x 130] / [4 x 2.75 x 5.12]			[120 x 82.5 x 130] / [4.72 x 3.25 x 5.12]					
Weight	Fixed 3/4-poles	[kg]/[lbs]	[1.1 - 2.43] / [1.4 - 3.07]			[1.2 - 2.65] / [1.6 - 3.53]					
	Plug-in (EF) 3/4-poles	[kg]/[lbs]	[2.21 - 4.87] / [2.82 - 6.22]			[2.54 - 5.60] / [3.27 - 7.21]					
	Withdrawable (EF) 3/4-poles	[kg]/[lbs]	-			[3.32 - 7.32] / [4.04 - 8.91]					
Trip units for power distribution											
TMF			■			■					
TMA			-			■					
Ekip Dip			-			■					
Ekip Touch			-			■					

¹Current Limiting circuit breaker in 480V AC and 600V AC

²600Y/347

Tmax XT circuit breakers for (AC) distribution



Molded case circuit breakers (MCCB)			XT3	XT4						
Frame Size	[A]		225	250						
Poles	[No.]		3, 4	3, 4 ²						
Rated voltage	(AC) 50-60Hz	[V]	480 V Δ^3	600						
Versions			Fixed, Plug-in	Fixed, Plug-in, Withdrawable						
Interrupting ratings			N	S	N	S	H ¹	L ¹	V ¹	X
	240 V (AC)	[kA]	50	65	65	100	150	200	200	200
	480 V (AC)	[kA]	25	35	25	35	65	100	150	200
	600Y/347 V (AC)	[kA]	10	10	-	-	-	-	-	-
	600 V (AC)	[kA]	-	-	18	22	25	50	65	100
Mechanical life		[No. Operations]	25000		25000					
		[No. Hourly operations]	240		240					
Dimensions - Fixed (Width x Depth x Height)	3-poles	[mm]/[in]	[105 x 70 x 150] / [4.13 x 2.75 x 5.90]		[105 x 82.5 x 160] / [4.13 x 3.25 x 6.3]					
	4-poles	[mm]/[in]	[140 x 70 x 150] / [5.51 x 2.75 x 5.90]		[140 x 82.5 x 160] / [5.51 x 3.25 x 6.3]					
Weight	Fixed 3/4-poles	[kg]/[lbs]	[1.7 - 3.37] / [2.1 - 4.63]		[2.5 - 5.51] / [3.5 - 7.72]					
	Plug-in (EF) 3/4-poles	[kg]/[lbs]	[3.24 - 7.14] / [4.1 - 9.04]		[4.19 - 9.24] / [5.52 - 12.17]					
	Withdrawable (EF) 3/4-poles	[kg]/[lbs]	-		[5 - 11.02] / [6.76 - 14.90]					
Trip units for power distribution										
TMF			■		■					
TMA			-		■					
Ekip Dip			-		■					
Ekip Touch			-		■					

¹Current Limiting circuit breaker in 480V AC and 600V AC

²2-poles version available only as complete circuit breaker with TMF; 4-poles version available only as complete circuit breaker from In=80 to In=250 with TMF

³600Y/347

Tmax XT circuit breakers for (AC) distribution



Molded case circuit breakers (MCCB)			XT5						XT6		
Frame Size		[A]	400-600						800		
Poles		[No.]	3, 4						3, 4		
Rated voltage	(AC) 50-60Hz	[V]	600						600		
Versions			Fixed ,Plug-in, Withdrawable						Fixed , Withdrawable		
Interrupting ratings			N	S	H ¹	L ¹	V ¹	X	N	S	H
	240 V (AC)	[kA]	65	100	150	200	200	200	65	100	200
	480 V (AC)	[kA]	35	50	65	100	150	200	35	50	65
	600V/347 V (AC)	[kA]	-	-	-	-	-	-	-	-	-
	600 V (AC)	[kA]	18	25	35	65	100	100	20	25	35
Mechanical life		[No. Operations]	20000						20000		
		[No. Hourly operations]	120						120		
Dimensions - Fixed	3-poles	[mm]/[in]	[140 x 103 x 205] / [5.51 x 4.05 x 8.07]						[210 x 103.5 x 268] / [8.27 x 4.07 x 10.55]		
(Width x Depth x Height)	4-poles	[mm]/[in]	[186 x 103 x 205] / [7.32 x 4.05 x 8.07]						[280 x 103.5 x 268] / [11.02 x 4.07 x 10.55]		
Weight	Fixed 3/4-poles	[kg]/[lbs]	-						-		
	Plug-in (EF) 3/4-poles	[kg]/[lbs]	-						-		
	Withdrawable (EF) 3/4-poles	[kg]/[lbs]	-						-		
Trip units for power distribution											
TMF			-						-		
TMA			■						■		
Ekip Dip			■						■		
Ekip Touch			■						-		

¹Current Limiting circuit breaker in 480V AC and 600V AC

Tmax XT circuit breakers for (AC) distribution



Molded case circuit breakers (MCCB)			XT7			XT7 M		
Frame Size		[A]	800-1000-1200			800-1000-1200		
Poles		[No.]	3, 4			3, 4		
Rated voltage	(AC) 50-60Hz	[V]	600			600		
Versions			Fixed, Withdrawable			Fixed, Withdrawable		
Interrupting ratings			S	H	L	S	H	L
	240 V (AC)	[kA]	65	100	200	65	100	200
	480 V (AC)	[kA]	50	65	100	50	65	100
	600Y/347 V (AC)	[kA]	–	–	–	–	–	–
	600 V (AC)	[kA]	25	50	65	25	50	65
Mechanical life		[No. Operations]	10000			20000		
		[No. Hourly operations]	60			60		
Dimensions - Fixed	3-poles	[mm]/[in]	[210 x 167 x 268] / [8.27 x 6.57 x 10.55]			[210 x 178 x 268] / [8.27 x 7.01 x 10.55]		
(Width x Depth x Height)	4-poles	[mm]/[in]	[280 x 166 x 268] / [11.02 x 6.57 x 10.55]			[280 x 178 x 268] / [11.02 x 7.01 x 10.55]		
Weight	Fixed 3/4-poles	[kg]/[lbs]	–			–		
	Plug-in (EF) 3/4-poles	[kg]/[lbs]	–			–		
	Withdrawable (EF) 3/4-poles	[kg]/[lbs]	–			–		
Trip units for power distribution								
	TMF		–			–		
	TMA		–			–		
	Ekip Dip		■			■		
	Ekip Touch		■			■		

Tmax XT circuit breakers for (DC) distribution



Molded case circuit breakers (MCCB)			XT1			XT2					
Frame Size	[A]		125			125					
Poles	[No.]		3, 4			3, 4					
Rated voltage (DC)	[V]		500			500					
Versions			Fixed, Plug-in			Fixed, Plug-in, Withdrawable					
Interrupting ratings			N	S	H	N	S	H	L	V	X
	250 V (DC) 2 poles in series	[kA]	35	42	50	35	50	65	75	85	85
	500 V (DC) 2 poles in series	[kA]	-	-	-	-	-	-	-	-	-
	500 V (DC) 3-poles in series	[kA]	-	-	-	35	50	65	75	85	85
	500 V (DC) 4-poles in series	[kA]	35	50	50	-	-	-	-	-	-
	600 V (DC) 3-poles in series	[kA]	-	-	-	-	-	-	-	-	-
Mechanical life		[No. Operations]	25000			25000					
		[No. Hourly operations]	240			240					
Dimensions	Fixed 3-poles	[mm]/[in]	[76.2 x 70 x 130] / [3 x 2.75 x 5.12]			[90 x 82.5 x 130] / [3.54 x 3.25 x 5.12]					
(Width x Depth x Height)	4-poles	[mm]/[in]	[101.6 x 70 x 130] / [4 x 2.75 x 5.12]			[120 x 82.5 x 130] / [4.72 x 3.25 x 5.12]					
Weight	Fixed 3/4-poles	[kg]/[lbs]	[1.1 - 2.43] / [1.4 - 3.07]			[1.2 - 2.65] / [1.6 - 3.53]					
	Plug-in (EF) 3/4-poles	[kg]/[lbs]	[2.21 - 4.87] / [2.82 - 6.22]			[2.54 - 5.60] / [3.27 - 7.21]					
	Withdrawable (EF) 3/4-poles	[kg]/[lbs]	-			[3.32 - 7.32] / [4.04 - 8.91]					
Trip units for power distribution											
TMF			■			■					
TMA			-			■					
TMG			-			-					

Tmax XT circuit breakers for (DC) distribution



Molded case circuit breakers (MCCB)			XT3		XT4					
Frame Size	[A]		225		250					
Poles	[No.]		3, 4		3, 4					
Rated voltage (DC)	[V]		500		600					
Versions			Fixed, Plug-in		Fixed, Plug-in, Withdrawable					
Interrupting ratings			N	S	N	S	H	L	V	X
	250 V (DC) 2 poles in series	[kA]	25	35	35	42	50	85	100	100
	500 V (DC) 2 poles in series	[kA]	–	–	–	–	–	–	–	–
	500 V (DC) 3-poles in series	[kA]	25	35	–	–	–	–	–	–
	500 V (DC) 4-poles in series	[kA]	–	–	–	–	–	–	–	–
	600 V (DC) 3-poles in series	[kA]	–	–	35	50	65	75	85	85
Mechanical life		[No. Operations]	25000		25000					
		[No. Hourly operations]	240		240					
Dimensions (Width x Depth x Height)	Fixed 3-poles	[mm]/[in]	[105 x 70 x 150] / [4.13 x 2.75 x 5.90]		[105 x 82.5 x 160] / [4.13 x 3.25 x 6.3]					
	4-poles	[mm]/[in]	[140 x 70 x 150] / [5.51 x 2.75 x 5.90]		[140 x 82.5 x 160] / [5.51 x 3.25 x 6.3]					
Weight	Fixed 3/4-poles	[kg]/[lbs]	[1.7 - 3.37] / [2.1 - 4.63]		[2.5 - 5.51] / [3.5 - 7.72]					
	Plug-in (EF) 3/4-poles	[kg]/[lbs]	[3.24 - 7.14] / [4.1 - 9.04]		[4.19 - 9.24] / [5.52 - 12.17]					
	Withdrawable (EF) 3/4-poles	[kg]/[lbs]	–		[5 - 11.02] / [6.76 - 14.90]					
Trip units for power distribution										
TMF			■		■					
TMA			–		■					
TMG			–		–					

Tmax XT circuit breakers for (DC) distribution



Molded case circuit breakers (MCCB)			XT5						XT6		
Frame Size	[A]		400-600						800		
Poles	[No.]		3, 4						3, 4		
Rated voltage (DC)	[V]		600						600		
Versions			Fixed, Plug-in, Withdrawable						Fixed, Withdrawable		
Interrupting ratings			N	S	H	L	V	X	N	S	H
	250 V (DC) 2 poles in series	[kA]	35	50	70	100	100	100	35	50	70
	500 V (DC) 2 poles in series	[kA]	25	35	50	70	100	100	35	35	50
	500 V (DC) 3-poles in series	[kA]	-	-	-	-	-	-	-	-	-
	500 V (DC) 4-poles in series	[kA]	-	-	-	-	-	-	-	-	-
	600 V (DC) 3-poles in series	[kA]	16	25	35	50	70	70	20	20	35
Mechanical life		[No. Operations]	20000						20000		
		[No. Hourly operations]	240						240		
Dimensions	Fixed 3-poles	[mm]/[in]	[140 x 103 x 205] / [5.51 x 4.05 x 8.07]						[210 x 103.5 x 268] / [8.27 x 4.07 x 10.55]		
(Width x Depth x Height)	4-poles	[mm]/[in]	[186 x 103 x 205] / [7.32 x 4.05 x 8.07]						[280 x 103.5 x 268] / [11.02 x 4.07 x 10.55]		
Weight	Fixed 3/4-poles	[kg]/[lbs]	-						-		
	Plug-in (EF) 3/4-poles	[kg]/[lbs]	-						-		
	Withdrawable (EF) 3/4-poles	[kg]/[lbs]	-						-		
Trip units for power distribution											
TMF			-						-		
TMA			■						■		
TMG			■						-		

Tmax XT molded case switches (MCS)

Molded case switches are devices created from the corresponding circuit breakers and feature the same overall dimensions, versions, and can be fitted with the same accessories.

Applications

These devices are mainly used as:

- switching and insulation devices for lines, bus bars or groups of apparatus;
- bus ties.

In the open position, the switch guarantees a sufficient insulation distance (between the contacts).

Characteristics of molded case switches according to UL489 and CSA C22.2 No.5

		XT1D			XT2D					XT3D		XT4D				
Frame Size	[A]	125			125					225		150/250				
Poles	[No.]	3, 4			3, 4					3, 4		3, 4				
Rated service voltage	(AC) 50-60Hz [V]	600Y/347			600					600Y/347		600				
	(DC) [V]	500 4p series / 3p CB up to 250V DC 3p series			500 3p series					500 3p series		600 3p series				
Versions		Fixed, Plug-in			Fixed, Plug-in, Withdrawable					Fixed, Plug-in		Fixed, Plug-in, Withdrawable				
Interrupting Rating		N	S	H	N	S	H	L	V	N	S	N	S	H	L	V

Characteristics of molded case switches according to IEC60947-3

Size		XT1D			XT3D		XT4D		XT5D			
Rated operating current. Ie	(AC) 50-60Hz	125			-		-		-			
AC-22A	415-440Vac	125			225		150/250		400			600
AC-23A		125			200		150/200		400			600
AC-22A	690V AC	125			225		150/250		400			600
AC-23A		-			200		150/200		400			600
Rated operating current. Ie	DC											
DC-22A	250V DC	125 - 2p in series			225 - 2p in series		150/250 - 2p in series		400 2p in series			600 2p in series
DC-23A		125 - 2p in series			200 - 2p in series		150/200 - 2p in series		400 2p in series			600 2p in series
DC-22A	500V DC	125 - 4P in series			225 - 3p in series		150/250 - 2p in series		400 2p in series			600 2p in series
DC-23A		125 - 4P in series			200 - 3p in series		150/200 - 2p in series		400 2p in series			600 2p in series
DC-22A	750V DC	-			-		-		400 3p in series			600 3p in series
DC-23A		-			-		-		400 3p in series			600 3p in series
Electrical life AC22 / AC23 (AC) 440 V In		-			-		-		5000			3000
Mechanical life		-			-		-		20000			20000

Tmax XT molded case switches (MCS)

Protection

Each molded case switch must be protected on the supply side by a coordinated device which safeguards it against short circuits.

The section "Coordination" in the table below shows the correspondence between each molded case switch and the relevant circuit breaker.

Making capacity

The making capacity I_{cm} is highly important since a molded case switch must be able to withstand the dynamic, thermal and current stresses which can occur during closing operations without being destroyed, right up to short circuit closing conditions.

Characteristics of molded case switches according to IEC60947-3

Size		XT6D	XT7D	XT7D M
Rated operating current. Ie	(AC) 50-60Hz	-	-	-
AC-22A	415-440Vac	800	1000 - 1200	1000 - 1200
AC-23A		800	1000 - 1200	1000 - 1200
AC-22A	690V AC	800	1000 - 1200	1000 - 1200
AC-23A		800	1000 - 1200	1000 - 1200
Rated operating current. Ie	DC			
DC-22A	250V DC	800 - 2p in series	1000 - 1200 - 2p in series	1000 - 1200 - 2p in series
DC-23A		800 - 2p in series	1000 - 1200 - 2p in series	1000 - 1200 - 2p in series
DC-22A	500V DC	800 - 2p in series	1000 - 1200 - 3p in series	1000 - 1200 - 3p in series
DC-23A		800 - 2p in series	1000 - 1200 - 3p in series	1000 - 1200 - 3p in series
DC-22A	750V DC	800 - 3p in series	1000 - 1200 - 4p in series	1000 - 1200 - 4p in series
DC-23A		800 - 3p in series	1000 - 1200 - 4p in series	1000 - 1200 - 4p in series
Electrical life AC22 / AC23 (AC) 440 V In		3500	2500	2500
Mechanical life		20000	20000	20000

Tmax XT molded case switches (MCS)

Coordination

Supply side	XT1			XT3		XT2					XT4				
Version	N	S	H	N	S	N	S	H	L	V	N	S	H	L	V
SCCR 480 VAC [kA]	25	35	65	25	35	25	35	65	100	150	25	35	65	100	150
In															
XT1N-D	25	25	25			25	25	25	25	25					
XT1S-D	125	35	35				35	35	35	35					
XT1H-D			65					65	65	65					
XT2N-D	25	25	25			25	25	25	25	25					
XT2H-D	125		65					65	65	65					
XT2L-D									100	100					
XT2V-D							25			150					
XT3N-D	225	25	25	25	25	25	25	25	25	25	25 ¹	25 ¹	25 ¹	25 ¹	25 ¹
XT3S-D		35	35		35		35	35	35	35		35 ¹	35 ¹	35 ¹	35 ¹
XT4N-D	150 - 250	25	25	25	25 ¹	25 ¹	25	35	25	25	25	25 ²	25 ²	25 ²	25 ²
XT4S-D		35	35		35 ¹		35	35	35	35		35 ²	35 ²	35 ²	35 ²
XT4H-D			65					65	65	65			65 ²	65 ²	65 ²
XT4L-D									100	100				100 ²	100 ²
XT4V-D										150					150 ²
XT5N-D	400 - 600														
XT5S-D															
XT5H-D															
XT5L-D															
XT5V-D															
XT6N-D	600 - 800														
XT6S-D															
XT6H-D															
XT7S-D	800-1000-1200														
XT7H-D															
XT7L-D															

¹The configuration is valid only with I1<225A setting on Tmax XT4 circuit breaker

²The configuration for Tmax XT4D 150 is valid only with I1<150A setting on Tmax XT4 circuit breaker

Tmax XT molded case switches (MCS)

Coordination

Supply side		XT5					XT6			XT7		
Version		N	S	H	L	V	N	S	H	S	H	L
SCCR 480 VAC [kA]		25	35	65	100	150	35	50	65	50	65	100
In												
XT1N-D	125											
XT1S-D												
XT1H-D												
XT2N-D	125											
XT2H-D												
XT2L-D												
XT2V-D												
XT3N-D	225											
XT3S-D												
XT4N-D	150 - 250											
XT4S-D												
XT4H-D												
XT4L-D												
XT4V-D												
XT5N-D	400 - 600	25	25	25	25	25						
XT5S-D			35	35	35	35						
XT5H-D				65	65	65						
XT5L-D					100	100						
XT5V-D						150						
XT6N-D	600 - 800						35	35	35			
XT6S-D								50	50			
XT6H-D									65			
XT7S-D	800-1000-1200									50	50	50
XT7H-D											65	65
XT7L-D												100

Current Limiting

Existing UL circuit breakers Tmax XT2, XT4 and XT5 have undergone specific tests as per the UL 489. Standard in order to be classified as UL current limiting circuit breakers. They have specific characteristics in terms of limiting peak current and specific let-through energy.

According to the UL 489 Standard, current limiting circuit breakers will be marked "Current Limiting" on the front and will have a label on the right side specifying the peak current and specific let-through energy values. Accessories and trip are the same as available for standard UL Tmax MCCBs.

Circuit breaker	XT2			XT4			XT5		
Trip Units	TMF, TMA, Ekip			TMF, TMA, Ekip			TMF, TMA, Ekip		
In	Up to 125A ¹			Up to 250A ²			Up to 600A		
Voltage	Up to 600V			Up to 600V			Up to 600V		
Breaking Capacity	H	L	V	H	L	V	H	L	V

¹Includes TMF, TMA with In = 15-125A and Ekip with In= 10, 25, 60, 100, 125A

²Includes TMF, TMA with In = 25-250A and Ekip with In= 40, 60, 100, 150, 225, 250A

100% rated circuit breakers

All Tmax XT circuit breakers are available both as standard version and as 100% rated version. Because of the additional heat generated by 100% of continuous current rating, the use of specific 90°C rated wires sized per 75°C ampacity may be required.

Fixed circuit breakers	
XT1	Suitable for continuous operation at 100-percent of rating up to 100A with 90°C wire. The wire size shall be based on the ampacity of 75°C rated wire.
XT2	Suitable for continuous operation at 100-percent of rating up to 100A with thermal magnetic trip unit and up to 125A with electronic trip unit.
XT3	Suitable for continuous operation at 100-percent of rating up to 225A with 90°C wire. The wire size shall be based on the ampacity of 75°C rated wire.
XT4	Suitable for continuous operation at 100-percent of rating up to 250A, with 90°C wire. The wire size shall be based on the ampacity of 75°C rated wire. With 75°C wire suitable for continuous operation at 100-percent of rating up to 200A with lugs FC CuAl only.
XT5 400	Suitable for continuous operation at 100-percent of rating up to 400A. For XT5 V-X 90°C wire needed, the wire size shall be based on the ampacity of 75°C rated wire.
XT5 600	N-S-H-L versions suitable for continuous operation at 100-percent of rating up to 600A with 90°C wire. The wire size shall be based on the ampacity of 75°C rated wire.
XT6	Suitable for continuous operation at 100-percent of rating up to 800A with 90°C wire. The wire size shall be based on the ampacity of 75°C rated wire.
XT7	Suitable for continuous operation at 100-percent of rating up to 1200A with 90°C wire. The wire size shall be based on the ampacity of 75°C rated wire.

For 80% - 100% rated enclosure dimensions and further installation details, please refer to the document "Technical characteristics SACE Tmax XT UL/CSA" (1SDC 210199D0202)

Circuit breakers for motor protection

Main characteristics

When choosing and manufacturing a system for starting and monitoring motors, safety and reliability are important considerations. Motor starting is a particularly critical phase for the motor itself and for the installation powering it.

Every rated service needs to be adequately monitored and protected in order to deal with any faults that might occur. When it comes to direct starting, ABB SACE offers two different solutions:

- a conventional system equipped with a circuit breaker with a magnetic only trip unit for protection against short circuits, a thermal trip unit for protection against overloads and phase failure or unbalance, and a contactor to operate the motor;
- an advanced protection system which integrates all the protection and monitoring functions in the circuit breaker itself and a contactor for operating the motor.



Motor protection		XT1	XT2			XT3	XT4			
Frame size	[A]	125		125		225	250			
Poles	[No.]	3		3		3	3			
Rated service voltage	(AC) 50-60Hz [V]	480 V Δ ⁽¹⁾		600		480 V Δ ¹	600			
	(DC) [V]	500		500		500	600			
Versions		Fixed, Plug-in	Fixed, Plug-in, Withdrawable			Fixed, Plug-in	Fixed, Plug-in, Withdrawable			
Rating level		H	H	L	V	S	H	L	V	X
Trip units for motor protection		-	-	-	-	-	-	-	-	-
MA (MCP)		■	■	■	-	■	■	■	-	-
Ekip M Dip I (MCP)		-	■	■	■	-	■	■	■	■
Ekip M Dip LIU (MPCB)		-	■	■	■	-	■	■	■	■
Ekip M Touch LRIU (MPCB)		-	■	■	■	-	■	■	■	■

¹600Y/347

Circuit breakers for motor protection

Main characteristics

Several different factors must be considered when choosing and coordinating the protection and operating devices, e.g.:

- the electrical specifications of the motor (type, power rating, efficiency, $\cos\Phi$);
- the starting type and diagram;
- the fault current and voltage in the part of the network where the motor is installed.



Motor protection		XT5						XT6			XT7		
Frame size	[A]	400 - 600						800			800 - 1000- 1200		
Poles	[No.]	3						3			3		
Rated service voltage	(AC) 50-60Hz [V]	600						600			600		
	(DC) [V]	600						600			600		
Versions		Fixed, Plug-in, Withdrawable						Fixed, Withdrawable			Fixed, Withdrawable		
Rating level		N	S	H	L	V	X	N	S	H	S	H	L
Trip units for motor protection		-	-	-	-	-	-	-	-	-	-	-	-
MA (MCP)		■	■	■	■	■	■	-	-	-	-	-	-
Ekip M Dip I (MCP)		■	■	■	■	■	■	■	■	■	■	■	■
Ekip M Dip LIU (MPCB)		■	■	■	■	■	■	■	■	■			
Ekip M Touch LRIU (MPCB)		■	■	■	■	■	■	-	-	-	■	■	■

Q-Line plug-in circuit breakers

Product overview



A full range of Q-Line plug-in circuit breakers to fit almost any application.

Features

- Plug-on and long pigtail neutral options.
- Arc-Fault Circuit Interrupter (AFCI) can detect and interrupt arcing caused by damaged wire insulation or a frayed extension cord.

- Ground Fault Circuit Interrupter (GFCI): The NEC requires ground fault protection of receptacles outdoors and in garages, bathrooms, and spa areas.
- Dual Function Circuit Interrupter (DFCI) combine the functions of both the AFCI and GFCI circuit breakers in a cost effective and simple package.

Ordering code construction

	T	H	QL	1	1	15	P	AF2	
ABB identification									
Interrupting rating									AF2 = 1-pole combination arc fault circuit interrupter
H = 10kAIC									GFEF = 1- & 2-pole ground fault with equipment protection interrupter-30 mA
HH = 22kAIC									GFT = 1- & 2-pole ground fault with self-test feature interrupter - 5 mA
X = 65kAIC									DF = 1-pole dual function GFCI/AFCI ground fault & combination arc fault circuit interrupter
Type									GFT2 = 35-60A, 2-pole ground fault with self-test feature interrupter - 5mA
QL = 1" plug-in									
QB = 1" bolt-on									
QC = 1" lug-lug									
Poles (1, 2, 3)									
Voltage									
1 = 120/240V									
2 = 240V									
							P = Insert for plug-on neutral connection		
									Ampere rating

Q-Line plug-in circuit breakers

Thermal magnetic

Q-line plug-in circuit breakers

- Q-Line plug-in circuit breakers are designed for use in ABB and GE load centers, meter combos, single socket metering, modular metering, enclosed circuit breakers, and Midwest RV power pedestals
- All circuit breakers are built, tested, and listed to UL and cUL standards (UL 489)
- 15-100 amp circuit breakers are UL Listed as HACR (heating air conditioning and refrigeration)
- Single-pole 15-20A 120/240 Vac circuit breakers are UL Listed as SWD (Switching Duty) rated. Suitable for switching 120 Vac fluorescent lighting loads
- 60°C / 75°C conductor rating



THQL1120



THQL2140



THQL32015

Voltage Amperage rating	10,000 AIC		22,000 AIC			65,000 AIC	
	Type THQL 1-inch module		Type THHQL 1-inch module			Type TXQL 1-inch module	
	120/240 Vac Ordering code	240 Vac Ordering code	120/240 Vac Ordering code	120/240 Vac Ordering code	240 Vac Ordering code	120/240 Vac Ordering code	240 Vac Ordering code
Single pole							
15	THQL1115	-	THHQL1115	-	-	TXQL1115	-
20	THQL1120	-	THHQL1120	-	-	TXQL1120	-
25	THQL1125	-	THHQL1125	-	-	-	-
30	THQL1130	-	THHQL1130	-	-	TXQL1130	-
35	THQL1135	-	THHQL1135	-	-	-	-
40	THQL1140	-	THHQL1140	-	-	-	-
45	THQL1145	-	THHQL1145	-	-	-	-
50	THQL1150	-	THHQL1150	-	-	-	-
60	THQL1160	-	THHQL1160	-	-	-	-
70	THQL1170	-	THHQL1170	-	-	-	-
Two-pole: incorporated internal common trip bar							
15	THQL2115	THQL22015	THHQL2115	-	THHQL22015 ³	TXQL2115	-
20	THQL2120	THQL22020	THHQL2120	-	THHQL22020 ³	TXQL2120	-
25	THQL2125	THQL22025	THHQL2125	-	THHQL22025 ³	TXQL2125	-
30	THQL2130	THQL22030	THHQL2130	-	THHQL22030 ³	TXQL2130	-
35	THQL2135	THQL22035	THHQL2135	-	THHQL22035 ³	-	-
40	THQL2140	THQL22040	THHQL2140	THHQL2140RM ²	THHQL22040 ³	-	-
45	THQL2145	THQL22045	THHQL2145	-	THHQL22045 ³	-	-
50	THQL2150	THQL22050	THHQL2150	THHQL2150RM ²	THHQL22050 ³	-	-
60	THQL2160	THQL22060	THHQL2160	THHQL2160RM ²	THHQL22060 ³	-	-
70	THQL2170	THQL22070	THHQL2170	THHQL2170RM ²	THHQL22070 ³	-	-
80	THQL2180	THQL22080	THHQL2180	THHQL2180RM ²	THHQL22080 ³	-	-
90	THQL2190	THQL22090	THHQL2190	THHQL2190RM ²	THHQL22090 ³	-	-
100	THQL21100	THQL22100	THHQL21100	THHQL21100RM ²	THHQL22100 ³	-	-
110	THQL21110	-	THHQL21110	THHQL21110RM ²	-	-	-
125	THQL21125	-	THHQL21125	THHQL21125RM ²	-	-	-
Three-pole: incorporated internal common trip bar							
15	-	THQL32015	-	-	THHQL32015	-	-
20	-	THQL32020	-	-	THHQL32020	-	TXQL32020
25	-	THQL32025	-	-	THHQL32025	-	TXQL32025
30	-	THQL32030	-	-	THHQL32030	-	TXQL32030
35	-	THQL32035	-	-	THHQL32035	-	-
40	-	THQL32040	-	-	THHQL32040	-	-
45	-	THQL32045	-	-	THHQL32045	-	-
50	-	THQL32050	-	-	THHQL32050	-	-
60	-	THQL32060	-	-	THHQL32060	-	-
70	-	THQL32070	-	-	THHQL32070	-	-
80	-	THQL32080	-	-	THHQL32080	-	-
90	-	THQL32090	-	-	THHQL32090	-	-
100	-	THQL32100	-	-	THHQL32100	-	-

² Three-tier series rating capability

³ Required for three-phase Delta Hi-Leg Systems only.

Q-Line plug-in circuit breakers

Arc fault and dual function

Arc fault circuit interrupter (AFCI)

- Combination AFCI are compliant with the 2008 National Electrical Code and beyond designed to protect against overloads, short circuits, parallel arcs, and series arcs.



THQL1115DF

	Ampere rating	1-pole 120/240 Vac	
		Long pigtail	Plug-on neutral
		Ordering code	Ordering code
10,000 AIC			
	15	THQL1115AF2	THQL1115PAF2
	20	THQL1120AF2	THQL1120PAF2
22,000 AIC			
	15	THHQL1115AF2	THHQL1115PAF2
	20	THHQL1120AF2	THHQL1120PAF2

Dual function circuit interrupter (DFCI)

- DFCI breakers are designed to protect against overloads, short circuits, 5mA and greater ground faults, parallel arcs, and series arcs. Combining multiple protections in one simple to install device. The arc fault protection is in compliance with the 2008 National Electrical Code and beyond.



THQL1115PDF

	Ampere rating	1-pole, 120 Vac	
		Long pigtail	Plug-on neutral
		Ordering code	Ordering code
10,000 AIC			
	15	THQL1115DF	THQL1115PDF
	20	THQL1120DF	THQL1120PDF
22,000 AIC			
	15	THHQL1115DF	THHQL1115PDF
	20	THHQL1120DF	THHQL1120PDF

Q-Line plug-in circuit breakers

Ground fault



THQL1115GFT

Ground fault circuit interrupter (GFCI) for personnel protection (5mA)

- Personnel Protection GFCI are designed to protect against overloads, short circuits, and 5mA or greater ground faults. The GFCI breakers detect low levels of electrical current leakage (ground faults), and acts quickly to shut off power with a purpose of preventing serious shock. Multi-pole circuit breakers incorporate a internal common trip.

	Ampere rating	1-pole, 120 Vac		2-pole, 120/240 Vac	
		Long pigtail	Plug-on neutral	Long pigtail	Plug-on neutral
		Ordering code	Ordering code	Ordering code	Ordering code
10,000 AIC					
	15	THQL1115GFT	THQL1115PGFT	THQL2115GFT	THQL2115PGFT
	20	THQL1120GFT	THQL1120PGFT	THQL2120GFT	THQL2120PGFT
	25	THQL1125GFT	THQL1125PGFT	THQL2125GFT	THQL2125PGFT
	30	THQL1130GFT	THQL1130PGFT	THQL2130GFT	THQL2130PGFT
	35	-	-	THQL2135GFT2	-
	40	-	-	THQL2140GFT2	-
	45	-	-	THQL2145GFT2	-
	50	-	-	THQL2150GFT2	-
	60	-	-	THQL2160GFT2	-
22,000 AIC					
	15	THHQL1115GFT	THHQL1115PGFT	THHQL2115GFT	THHQL2115PGFT
	20	THHQL1120GFT	THHQL1120PGFT	THHQL2120GFT	THHQL2120PGFT
	25	THHQL1125GFT	THHQL1125PGFT	THHQL2125GFT	THHQL2125PGFT
	30	THHQL1130GFT	THHQL1130PGFT	THHQL2130GFT	THHQL2130PGFT

Ground fault circuit interrupter (GFCI) for equipment protection (30mA)

- Equipment Protection GFCI are designed to protect against overloads, short circuits, and 30mA or greater ground faults. The GFCI breakers detect low levels of electrical current leakage (ground faults), and acts quickly to shut power off. Multi-pole circuit breakers incorporate an internal common trip.



THQL2115GFEP

	Ampere rating	1-pole, 120 Vac		2-pole, 120/240 Vac	
		Long pigtail	Long pigtail	Long pigtail	Long pigtail
		Ordering code	Ordering code	Ordering code	Ordering code
10,000 AIC					
	15	THQL1115GFEP	THQL1115GFEP	THQL2115GFEP	THQL2115GFEP
	20	THQL1120GFEP	THQL1120GFEP	THQL2120GFEP	THQL2120GFEP
	30	THQL1130GFEP	THQL1130GFEP	THQL2130GFEP	THQL2130GFEP
22,000 AIC					
	15	THHQL1115GFEP	THHQL1115GFEP	THHQL2115GFEP	THHQL2115GFEP
	20	THHQL1120GFEP	THHQL1120GFEP	THHQL2120GFEP	THHQL2120GFEP
	30	THHQL1130GFEP	THHQL1130GFEP	THHQL2130GFEP	THHQL2130GFEP

Q-Line plug-in circuit breakers

Special purpose

Q-Line switching neutral circuit breakers

- Q-Line switching neutral circuit breakers are designed with an extra pole (neutral) and common trip to de-energize the breaker when it is in the open or tripped state, this allows for enhanced safety and functionality in an electrical system. Some of these applications include but are not limited to generators, renewable energy, and solar applications where back feeding into the grid is possible.
- Single-pole circuit breakers take two spaces and two-pole circuit breakers take three pole spaces.
- All circuit breakers are built, tested, and listed to UL and cUL standards (UL 489).
- Single-pole 15-20A 120/240 Vac circuit breakers are UL listed as SWD (Switching Duty) rated. Suitable for switching 120 Vac fluorescent lighting loads.



THQL21WY30

Thermal magnetic pole plus nonautomatic pole for switching neutral			
	Ampere rating	2 pole spaces required (1P+1N), 120 Vac	3 pole spaces required (2P+1N), 120/240 Vac
		Ordering code	Ordering code
10,000 AIC			
	15	THQL21WY15	THQL31WY15
	20	THQL21WY20	THQL31WY20
	25	THQL21WY25	-
	30	THQL21WY30	THQL31WY30

Q-Line high intensity discharge circuit breakers

- Q-Line HID circuit breakers have been designed and tested to UL standards to handle the current and voltage spikes that result when gaseous discharge lamps, including fluorescent and HID lamps, are switched on and off.
- All circuit breakers are built, tested, and listed to UL and cUL standards (UL 489).
- Single-pole 15-20A 120/240 Vac circuit breakers are UL listed as SWD (Switching Duty) rated. Suitable for switching 120 Vac fluorescent lighting loads.



THQL2120HID

	Ampere rating	1-pole, 120/240 Vac	2-pole, 120/240 Vac
		Ordering code	Ordering code
10,000 AIC			
	15	THQL1115HID	THQL2115HID
	20	THQL1120HID	THQL2120HID
	25	THQL1125HID	THQL2125HID
	30	THQL1130HID	THQL2130HID
	30	THQL1130HID	THQL2130HID
22,000 AIC			
	15	-	THHQL2115HID
	20	THHQL1120HID	THHQL2120HID
	25	THHQL1125HID	THHQL2125HID
	30	THHQL1130HID	THHQL2130HID

Q-Line high magnetic circuit breakers

- Q-Line high magnetic circuit breakers are designed to protect against short circuits while allowing for a higher degree of tolerance during large current spikes. These circuit breakers are suitable for applications where initial in-rush current is high such as motor startups or large lighting systems.
- All circuit breakers are built, tested, and listed to UL and cUL standards (UL 489).



THQL1140HM

	Ampere rating	1-pole, 120 Vac
		Ordering code
10,000 AIC		
	15	THQL1115HM
	20	THQL1120HM
	25	-
	30	THQL1130HM
	40	THQL1140HM
	50	THQL1150HM

Q-Line plug-in circuit breakers

Special purpose



TQL21Y100

Q-Line molded case switches

- Molded case switches may be used as main devices in panelboards and switchboards but cannot be used as subfeeds or branch breakers because they do not provide wire protection. Q-Line molded case switches have a 10,000 ampere symmetrical short circuit withstand rating when protected by a fuse or circuit breaker rated 10,000 amperes IC or greater and whose ampere rating does not exceed the ampere rating of the switch. Line and load lugs included in basic switch ordering code.
- All circuit breakers are built, tested, and listed to UL and cUL standards (UL 489).

	Ampere rating	2-pole, 120/240 Vac	2-pole, 240 Vac	3-pole, 240 Vac
		Ordering code	Ordering code	Ordering code
10,000 AIC				
	60	TQL21Y60	TQL22Y60	TQL32Y60
	100	TQL21Y100	TQL22Y100	TQL32Y100

Wire Specifications

Breaker type	Ampere rating	Wire size AWG/kcmil ¹
TQL	60	8-3 Cu/8-3 Al
	100	6-1/0 Cu/4-1/0 Al

¹ Solid or stranded for 14-10AWG

Q-Line shunt trip circuit breakers with factory installed 120 Vac shunt trip

- Q-Line shunt trip circuit breakers are designed with a shunt trip pole module and common trip to de-energize the breaker when it is in the open or tripped state, this allows for remote tripping of the breaker from a separate circuit. Shunt trip breakers are used in combination with a momentary or maintained pushbutton for remote switching.
- Single-pole circuit breakers takes two spaces, two-pole circuit breakers takes three pole spaces, and three-pole circuit breakers take 4 pole spaces.
- All circuit breakers are built, tested, and listed to UL and cUL standards (UL 489).
- Single-pole 15-20A 120/240 Vac circuit breakers are UL listed as SWD (Switching Duty) rated. Suitable for switching 120 Vac fluorescent lighting loads.



THQ1130ST1



THQL2120ST1



THQL32020ST1

	Ampere rating	2 pole spaces required (1P+1ST), 120/240 Vac	3 pole spaces required (2P+1ST), 120/240 Vac	4 pole spaces required (3P+1ST), 240 Vac
		Ordering code	Ordering code	Ordering code
10,000 AIC				
	15	THQL1115ST1	THQL2115ST1	-
	20	THQL1120ST1	THQL2120ST1	THQL32020ST1
	30	THQL1130ST1	THQL2130ST1	THQL32030ST1
	35	THQL1135ST1	THQL2135ST1	-
	40	-	THQL2140ST1	THQL32040ST1
	45	-	THQL2145ST1	-
	50	-	THQL2150ST1	THQL32050ST1
	60	-	THQL2160ST1	THQL32060ST1
	70	-	THQL2170ST1	THQL32070ST1
	80	-	THQL2180ST1	THQL32080ST1
	90	-	THQL2190ST1	THQL32090ST1
	100	-	THQL21100ST1	THQL32100ST1

Interlocking circuit breakers for use in ReliaHome generator panels

1 - Generator breakers requires two circuit breakers for interlocking to ensure that only one power source can be connected to the load at any given time.

	Ampere rating	120/240 Vac
		Ordering code
10,000 AIC		
	30	THQL2130GEN
	60	THQL2160GEN

Q-Line bolt-on circuit breakers

Thermal magnetic

Q-Line bolt-on circuit breakers

- Q-Line bolt-on circuit breakers are designed for use in ABB ReliaGear RQ panelboards and can also be utilized by OEMs using unassembled interiors
- All breakers are built, tested, and listed to UL and cUL standards (UL 489)
- 15-100 amp circuit breakers are UL Listed as HACR (heating air conditioning and refrigeration)
- Single-pole 15-20A 120/240Vac circuit breakers are UL listed as SWD (Switching Duty) rated. Suitable for switching 120 Vac fluorescent lighting loads
- Optional load side ring terminals can be added to any bolt-on breaker using suffix RC (EX: THHQB1115RC).



THQB115



THQB2115



THQB32015

Voltage Ampere Rating	10,000 AIC		22,000 AIC		65,000 AIC	
	Type THQB 1-inch module		Type THHQB 1-inch module		Type TXQB 1-inch module	
	120/240 Vac Ordering Code	240 Vac Ordering Code	120/240 Vac Ordering Code	240 Vac Ordering Code	120/240 Vac Ordering Code	240 Vac Ordering Code
Single pole						
15	THQB1115	THQB1215	THHQB1115	THHQB1215	TXQB1115	-
20	THQB1120	THQB1220	THHQB1120	-	TXQB1120	-
25	THQB1125	THQB1225	THHQB1125	-	TXQB1125	-
30	THQB1130	THQB1230	THHQB1130	THQB1230	TXQB1130	-
35	THQB1135	THQB1235	THHQB1135	-	-	-
40	THQB1140	THQB1240	THHQB1140	-	-	-
45	THQB1145	THQB1245	THHQB1145	-	-	-
50	THQB1150	THQB1250	THHQB1150	-	-	-
60	THQB1160	THQB1260	THHQB1160	-	-	-
70	THQB1170	THQB1270	THHQB1170	THHQB1270	-	-
90	-	THQB1290	-	-	-	-
100	-	THQB12100	-	-	-	-
Two-pole: Incorporated internal common trip bar						
15	THQB2115	THQB22015	THHQB2115	THHQB22015	TXQB2115	-
20	THQB2120	THQB22020	THHQB2120	THHQB22020	TXQB2120	-
25	THQB2125	THQB22025	THHQB2125	THHQB22025	TXQB2125	-
30	THQB2130	THQB22030	THHQB2130	THHQB22030	TXQB2130	-
35	THQB2135	THQB22035	THHQB2135	THHQB22035	-	-
40	THQB2140	THQB22040	THHQB2140	THHQB22040	-	-
45	THQB2145	THQB22045	THHQB2145	THHQB22045	-	-
50	THQB2150	THQB22050	THHQB2150	THHQB22050	-	-
60	THQB2160	THQB22060	THHQB2160	THHQB22060	-	-
70	THQB2170	THQB22070	THHQB2170	THHQB22070	-	-
80	THQB2180	THQB22080	THHQB2180	THHQB22080	-	-
90	THQB2190	THQB22090	THHQB2190	THHQB22090	-	-
100	THQB21100	THQB22100	THHQB21100	THHQB22100	-	-
110	-	-	-	-	-	-
125	-	-	-	-	-	-
Three-pole: Incorporated internal common trip bar						
15	-	THQB32015	-	THHQB32015	-	TXQB32015
20	-	THQB32020	-	THHQB32020	-	TXQB32020
25	-	THQB32025	-	THHQB32025	-	TXQB32025
30	-	THQB32030	-	THHQB32030	-	TXQB32030
35	-	THQB32035	-	THHQB32035	-	-
40	-	THQB32040	-	THHQB32040	-	-
45	-	THQB32045	-	THHQB32045	-	-
50	-	THQB32050	-	THHQB32050	-	-
60	-	THQB32060	-	THHQB32060	-	-
70	-	THQB32070	-	THHQB32070	-	-
80	-	THQB32080	-	THHQB32080	-	-
90	-	THQB32090	-	THHQB32090	-	-
100	-	THQB32100	-	THHQB32100	-	-

Q-Line bolt-on circuit breakers

Arc fault and dual function



THQB1120AF2

Arc fault circuit interrupter (AFCI)

- Combination AFCI are compliant with the 2008 National Electrical Code and beyond designed to protect against overloads, short circuits, parallel arcs, and series arcs.

		1-pole 120/240 Vac
		Ordering Code
Ampere rating		
10,000 AIC		
	15	THQB1115AF2
	20	THQB1120AF2
22,000 AIC		
	15	THHQB1115AF2
	20	THHQB1120AF2

Dual function circuit interrupter (DFCI)

- DFCI breakers are designed to protect against overloads, short circuits, 5mA and greater ground faults, parallel arcs, and series arcs. Combining multiple protections in one simple to install device. The arc fault protection is in compliance with the 2008 National Electrical Code and beyond.



THQB1120DF

		1-pole 120 Vac
		Ordering Code
Ampere rating		
10,000 AIC		
	15	THQB1115DF
	20	THQB1120DF
22,000 AIC		
	15	THHQB1115DF
	20	THHQB1120DF

Q-Line bolt-on circuit breakers

Ground fault



THQB1115GFT

Ground fault circuit interrupter (GFCI) for personnel protection (5mA)

- Personnel Protection GFCI are designed to protect against overloads, short circuits, and 5mA or greater ground faults. The GFCI breakers detect low levels of electrical current leakage (ground faults), and acts quickly to shut off power with a purpose of preventing serious shock. Multi-pole circuit breakers incorporate a internal common trip.

	Ampere rating	1-pole, 120 Vac	2-pole, 120/240 Vac
		Ordering Code	Ordering Code
10,000 AIC			
	15	THQB1115GFT	THQB2115GFT
	20	THQB1120GFT	THQB2120GFT
	25	THQB1125GFT	THQB2125GFT
	30	THQB1130GFT	THQB2130GFT
	35	-	THQB2135GFT
	40	-	THQB2140GFT
	45	-	THQB2145GFT
	50	-	THQB2150GFT
	60	-	THQB2160GFT
22,000 AIC			
	15	TTHQB1115GFT	TTHQB2115GFT
	20	TTHQB1120GFT	TTHQB2120GFT
	25	TTHQB1125GFT	TTHQB2125GFT
	30	TTHQB1130GFT	TTHQB2130GFT

Ground fault circuit interrupter (GFCI) for equipment protection (30mA)

- Equipment Protection GFCI are designed to protect against overloads, short circuits, and 30mA or greater ground faults. The GFCI breakers detect low levels of electrical current leakage (ground faults), and acts quickly to shut power off. Multi-pole circuit breakers incorporate an internal common trip.



THQB1120GFEP

	Ampere rating	1-pole, 120 Vac	2-pole, 120/240 Vac
		Ordering Code	Ordering Code
10,000 AIC			
	15	THQB1115GFEP	THQB2115GFEP
	20	THQB1120GFEP	THQB2120GFEP
	30	THQB1130GFEP	THQB2130GFEP
	35	-	THQB2135GFEP2
	40	-	THQB2140GFEP2
	45	-	THQB2145GFEP2
	50	-	THQB2150GFEP2
	60	-	THQB2160GFEP2
22,000 AIC			
	15	TTHQB1115GFEP	TTHQB2115GFEP
	20	TTHQB1120GFEP	TTHQB2120GFEP
	30	TTHQB1130GFEP	TTHQB2130GFEP

Q-Line bolt-on circuit breakers

Special purpose

Q-Line switching neutral circuit breakers

- Q-Line switching neutral circuit breakers are designed with an extra pole (neutral) and common trip to de-energize the breaker when it is in the open or tripped state, this allows for enhanced safety and functionality in an electrical system. Some of these applications include but are not limited to generators, renewable energy, and solar applications where back feeding into the grid is possible.
- Single-pole circuit breakers take two spaces and two-pole circuit breakers take three pole spaces.
- All circuit breakers are built, tested, and listed to UL and cUL standards (UL 489).
- Single-pole 15-20A 120/240 Vac circuit breakers are UL listed as SWD (Switching Duty) rated. Suitable for switching 120 Vac fluorescent lighting loads.



THQB21WY15

Thermal Magnetic Pole plus Nonautomatic Pole for Switching Neutral			
Ampere rating	2 pole spaces required (1P+1N), 120Vac		3 pole spaces required (2P+1N), 120/240Vac
	Ordering Code		Ordering Code
10,000 AIC			
15	THQB21WY15		THQB31WY15
20	THQB21WY20		THQB31WY20
25	THQB21WY25		THQB31WY25
30	THQB21WY30		THQB31WY30

Q-Line high intensity discharge circuit breakers

- Q-Line HID circuit breakers have been designed and tested to UL standards to handle the current and voltage spikes that result when gaseous discharge lamps, including fluorescent and HID lamps, are switched on and off.
- All circuit breakers are built, tested, and listed to UL and cUL standards (UL 489).
- Single-pole 15-20A 120/240 Vac circuit breakers are UL listed as SWD (Switching Duty) rated. Suitable for switching 120 Vac fluorescent lighting loads.



THQB2120HID

Ampere rating	1-pole, 120/240 Vac		2-pole, 120/240 Vac
	Ordering Code		Ordering Code
10,000 AIC			
15	THQB1115HID		THQB2115HID
20	THQB1120HID		THQB2120HID
25	THQB1125HID		THQB2125HID
30	THQB1130HID		THQB2130HID
22,000 AIC			
15	THHQB1115HID		THHQB2115HID
20	THHQB1120HID		THHQB2120HID
25	THHQB1125HID		THHQB2125HID
30	THHQB1130HID		THHQB2130HID

Q-Line low magnetic circuit breakers

- Q-line low magnetic circuit breakers are designed to protect against short circuits while being more sensitive to overloads. These circuit breakers are suitable for applications with power fluctuations where rapid current spikes may occur or high in-rush current is present.
- Single-pole 15-20A 120/240Vac circuit breakers are UL listed as SWD (Switching Duty) rated. Suitable for switching 120 Vac fluorescent lighting loads
- All circuit breakers are built, tested, and listed to UL and cUL standards (UL 489).



THQB1115LM

Ampere rating	1-pole, 120 Vac		2-pole, 120/240 Vac
	Ordering Code		Ordering Code
10,000 AIC			
15	THQB1115LM		THQB2115LM
20	THQB1120LM		THQB2120LM
22,000 AIC			
15	THHQB1115LM		THHQB2115LM
20	THHQB1120LM		THHQB2120LM

Q-Line bolt-on circuit breakers

Special purpose



TQB21Y100

Q-Line molded case switches

- Molded case switches may be used as main devices in panelboards and switchboards but cannot be used as subfeeds or branch breakers because they do not provide wire protection. Q-Line molded case switches have a 10,000 ampere symmetrical short circuit withstand rating when protected by a fuse or circuit breaker rated 10,000 amperes IC or greater and whose ampere rating does not exceed the ampere rating of the switch. Line and load lugs included in basic switch ordering code.
- All circuit breakers are built, tested, and listed to UL and cUL standards (UL 489).

	Ampere rating	2-pole, 120/240 Vac	2-pole, 240 Vac	3-pole, 240 Vac
		Ordering Code	Ordering Code	Ordering Code
10,000 AIC				
	60	TQB21Y60	TQB22Y60	TQB32Y60
	100	TQB21Y100	TQB22Y100	TQB32Y100

Q-Line shunt trip circuit breakers with factory installed 120 Vac shunt trip

- Q-Line shunt trip circuit breakers are designed with a shunt trip pole module and common trip to de-energize the breaker when it is in the open or tripped state, this allows for remote tripping of the breaker from a separate circuit. Shunt trip breakers are used in combination with a momentary or maintained pushbutton for remote switching.
- Single-pole circuit breakers takes two spaces, two-pole circuit breakers takes three pole spaces, and three-pole circuit breakers take 4 pole spaces.
- All circuit breakers are built, tested, and listed to UL and cUL standards (UL 489).
- Single-pole 15-20A 120/240 Vac circuit breakers are UL listed as SWD (Switching Duty) rated. Suitable for switching 120 Vac fluorescent lighting loads.

	Ampere rating	2 pole spaces required (1P+1ST), 120/240 Vac	3 pole spaces required (2P+1ST), 120/240 Vac	4 pole spaces required (3P+1ST), 240 Vac
		Ordering Code	Ordering Code	Ordering Code
10,000 AIC				
	20	THQB1120ST1	THQB2120ST1	THQB32020ST1
	30	THQB1130ST1	THQB2130ST1	THQB32030ST1
	35	-	-	THQB32035ST1
	40	-	-	THQB32040ST1
	50	-	THQB2150ST1	THQB32050ST1
	60	-	-	THQB32060ST1
	70	-	-	THQB32070ST1
	80	-	-	THQB32080ST1
	90	-	-	THQB32090ST1
	100	-	THQB21100ST1	THQB32100ST1
22,000 AIC				
	20	-	THHQB2120ST1	-
	25	THHQB1125ST1	-	-
	30	-	THHQB2130ST1	-
	35	-	-	THHQB32035ST1
	90	-	THHQB2190ST1	-

Q-Line cable-in cable-out (lug-lug) circuit breakers

Thermal magnetic

Q-Line cable-in cable-out (lug-lug) circuit breakers

- Q-Line cable-in/cable-out circuit breakers are an excellent choice for OEM applications
- All circuit breakers are built, tested, and listed to UL and cUL standards (UL 489)
- 15-100 amp circuit breakers are UL Listed as HACR (heating air conditioning and refrigeration)
- Single-pole 15-20A 120/240Vac circuit breakers are UL listed as SWD (Switching Duty) rated. Suitable for switching 120 Vac fluorescent lighting loads
- Single and two-pole 15-60A circuit breakers are suitable for mounting on standard 35mm DIN Rail.

Voltage	Line TQAL3A and load THQEL3		Line TQAL3A and load N/A		No line or load terminal lugs	35MM DIN Rail	Line N/A and load THQEL3
	120/240 Vac	240 Vac	120/240 Vac	120/240 Vac		Line TQAL3A and load THQECC	
Ampere Rating	Ordering Code	Ordering Code	Ordering Code	Ordering Code	Ordering Code	Ordering Code	Ordering Code
Single pole							
10,000 AIC							
15	THQC1115WL	THQC1215WL	THQC1115X2	THQC1115LL	THQC1115CC	THQC1115	THQC1215
20	THQC1120WL	THQC1220WL	THQC1120X2	THQC1120LL	THQC1120CC	THQC1120	THQC1220
25	THQC1125WL	THQC1225WL	THQC1125X2	THQC1125LL	THQC1125CC	THQC1125	THQC1225
30	THQC1130WL	THQC1230WL	THQC1130X2	THQC1130LL	THQC1130CC	THQC1130	THQC1230
35	THQC1135WL	THQC1235WL	THQC1135X2	THQC1135LL	THQC1135CC	THQC1135	THQC1235
40	THQC1140WL	THQC1240WL	THQC1140X2	THQC1140LL	THQC1140CC	THQC1140	THQC1240
45	THQC1145WL	THQC1245WL	THQC1145X2	THQC1145LL	THQC1145CC	THQC1145	THQC1245
50	THQC1150WL	THQC1250WL	THQC1150X2	THQC1150LL	THQC1150CC	THQC1150	THQC1250
60	THQC1160WL	THQC1260WL	THQC1160X2	THQC1160LL	THQC1160CC	THQC1160	THQC1260
70	THQC1170WL	THQC1270WL	-	-	-	THQC1170	THQC1270
80	THQC1180WL	THQC1280WL	-	-	-	-	-
90	-	THQC1290WL	-	-	-	-	THQC1290
100	-	THQC12100WL	-	-	-	-	THQC12100
22,000 AIC							
15	THHC1115WL	-	THHC1115X2	THHC1115LL	THHC1115CC	THHC1115	THHC1215
20	THHC1120WL	-	THHC1120X2	THHC1120LL	THHC1120CC	THHC1120	THHC1220
25	THHC1125WL	-	THHC1125X2	THHC1125LL	THHC1125CC	THHC1125	THHC1225
30	THHC1130WL	-	THHC1130X2	THHC1130LL	THHC1130CC	THHC1130	THHC1230
35	THHC1135WL	-	THHC1135X2	THHC1135LL	THHC1135CC	THHC1135	THHC1235
40	THHC1140WL	-	THHC1140X2	THHC1140LL	THHC1140CC	THHC1140	THHC1240
45	THHC1145WL	-	THHC1145X2	THHC1145LL	THHC1145CC	THHC1145	THHC1245
50	THHC1150WL	-	THHC1150X2	THHC1150LL	THHC1150CC	THHC1150	THHC1250
60	THHC1160WL	-	THHC1160X2	THHC1160LL	THHC1160CC	THHC1160	THHC1260
70	THHC1170WL	-	-	-	-	-	THHC1270
65,000 AIC							
15	TXQC1115WL	-	-	-	-	TXQC1115	-
20	TXQC1120WL	-	-	-	-	-	-
25	TXQC1125WL	-	-	-	-	-	-
30	TXQC1130WL	-	-	-	-	TXQC1130	-
Two-pole: Incorporated internal common trip bar							
10,000 AIC							
15	THQC2115WL	THQC22015WL	THQC2115X2	THQC2115LL	THQC2115CC	THQC2115	THQC22015
20	THQC2120WL	THQC22020WL	THQC2120X2	THQC2120LL	THQC2120CC	THQC2120	-
25	THQC2125WL	THQC22025WL	THQC2125X2	THQC2125LL	THQC2125CC	THQC2125	THQC22025
30	THQC2130WL	THQC22030WL	THQC2130X2	THQC2130LL	THQC2130CC	THQC2130	THQC22030
35	THQC2135WL	THQC22035WL	THQC2135X2	THQC2135LL	THQC2135CC	THQC2135	-
40	THQC2140WL	THQC22040WL	THQC2140X2	THQC2140LL	THQC2140CC	THQC2140	-
45	THQC2145WL	THQC22045WL	THQC2145X2	THQC2145LL	THQC2145CC	THQC2145	-
50	THQC2150WL	THQC22050WL	THQC2150X2	THQC2150LL	THQC2150CC	THQC2150	-
60	THQC2160WL	THQC22060WL	THQC2160X2	THQC2160LL	THQC2160CC	THQC2160	-
70	THQC2170WL	THQC22070WL	-	-	-	-	-
80	THQC2180WL	THQC22080WL	-	-	-	-	-
90	THQC2190WL	THQC22090WL	-	-	-	-	-
100	THQC21100WL	THQC22100WL	-	-	-	-	THQC22100
22,000 AIC							
15	THHC2115WL	THHC22015WL	THHC2115X2	THHC2115LL	THHC2115CC	THHC2115	-
20	THHC2120WL	THHC22020WL	THHC2120X2	THHC2120LL	THHC2120CC	THHC2120	-
25	THHC2125WL	THHC22025WL	THHC2125X2	THHC2125LL	THHC2125CC	THHC2125	-
30	THHC2130WL	THHC22030WL	THHC2130X2	THHC2130LL	THHC2130CC	THHC2130	-
35	THHC2135WL	THHC22035WL	THHC2135X2	THHC2135LL	THHC2135CC	THHC2135	-
40	THHC2140WL	THHC22040WL	THHC2140X2	THHC2140LL	THHC2140CC	THHC2140	-
45	THHC2145WL	THHC22045WL	THHC2145X2	THHC2145LL	THHC2145CC	THHC2145	-
50	THHC2150WL	THHC22050WL	THHC2150X2	THHC2150LL	THHC2150CC	THHC2150	-
60	THHC2160WL	THHC22060WL	THHC2160X2	THHC2160LL	THHC2160CC	THHC2160	-
70	THHC2170WL	THHC22070WL	-	-	-	-	-
80	THHC2180WL	THHC22080WL	-	-	-	-	-
90	THHC2190WL	THHC22090WL	-	-	-	-	-
100	THHC21100WL	THHC22100WL	-	-	-	-	-
65,000 AIC							
15	TXQC2115WL	-	-	-	-	-	-
20	TXQC2120WL	-	-	-	-	-	-
25	TXQC2125WL	-	-	-	-	-	-
30	TXQC2130WL	-	-	-	-	TXQC2130	-

Q-Line cable-in cable-out (lug-lug) circuit breakers

Voltage	Line TQAL3A and load THQEL3		Line TQAL3A and load N/A		No line or load terminal lugs	35MM DIN Rail Line TQAL3A and load THQECC	Line N/A and load THQEL3
	120/240 Vac	240 Vac	120/240 Vac	120/240 Vac	120/240 Vac	120/240 Vac	240 Vac
Ampere Rating	Ordering Code	Ordering Code	Ordering Code	Ordering Code	Ordering Code	Ordering Code	Ordering Code
Three-pole: Incorporated internal common trip bar							
10,000 AIC							
15	-	THQC32015WL	-	-	-	-	-
20	-	THQC32020WL	-	-	-	-	THQC32020
25	-	THQC32025WL	-	-	-	-	THQC32025
30	-	THQC32030WL	-	-	-	-	THQC32030
35	-	THQC32035WL	-	-	-	-	-
40	-	THQC32040WL	-	-	-	-	-
45	-	THQC32045WL	-	-	-	-	-
50	-	THQC32050WL	-	-	-	-	-
60	-	THQC32060WL	-	-	-	-	THQC32060
70	-	THQC32070WL	-	-	-	-	-
80	-	THQC32080WL	-	-	-	-	-
90	-	THQC32090WL	-	-	-	-	-
100	-	THQC32100WL	-	-	-	-	THQC32100
22,000 AIC							
15	-	THHQC32015WL	-	-	-	-	THHQC32015
20	-	THHQC32020WL	-	-	-	-	-
25	-	THHQC32025WL	-	-	-	-	-
30	-	THHQC32030WL	-	-	-	-	-
35	-	THHQC32035WL	-	-	-	-	-
40	-	THHQC32030WL	-	-	-	-	-
45	-	THHQC32045WL	-	-	-	-	-
50	-	THHQC32050WL	-	-	-	-	-
60	-	THHQC32060WL	-	-	-	-	-
70	-	THHQC32070WL	-	-	-	-	-
80	-	THHQC32080WL	-	-	-	-	-
90	-	THHQC32090WL	-	-	-	-	-
100	-	THHQC32100WL	-	-	-	-	-
65,000 AIC							
15	-	TXQC32015WL	-	-	-	-	TXQC32015
20	-	TXQC32020WL	-	-	-	-	TXQC32020
25	-	TXQC32025WL	-	-	-	-	-
30	-	TXQC32030WL	-	-	-	-	TXQC32030

Terminal Configuration

Suffix	Line Terminal	Load Terminal
WL	TQAL3A	THQEL3
X2	TQAL3A	N/A
LL	N/A	N/A
CC	TQAL3A	THQECC
None	N/A	THQEL3

Type	Wire Range	Ordering Code
Lug-Line only	14-6 Cu/12-2 Al	TQAL3A
Lug-Load only	14-2 Cu/12-2 Al	THQEL3
Quick Connector- Load only	(4) 14 Cu/(4) 12 Al	THQECC

Q-Line cable-in cable-out (lug-lug) circuit breakers

Ground fault



THQC1115GFT

Ground fault circuit interrupter (GFCI) for personnel protection (5mA)

- Personnel Protection GFCI are designed to protect against overloads, short circuits, and 5mA or greater ground faults. The GFCI breakers detect low levels of electrical current leakage (ground faults), and acts quickly to shut off power with a purpose of preventing serious shock. Multi-pole circuit breakers incorporate a internal common trip.

	Ampere rating	1-pole, 120 Vac	2-pole, 120/240 Vac
		Ordering Code	Ordering Code
10,000 AIC			
	15	THQC1115GFT	THQC2115GFT
	20	THQC1120GFT	THQC2120GFT
	25	THQC1125GFT	THQC2125GFT
	30	THQC1130GFT	THQC2130GFT
	35	-	THQC2135GFT2
	40	-	THQC2140GFT2
22,000 AIC			
	15	-	THHC2115GFT
	20	-	THHC2120GFT
	25	-	THHC2125GFT
	30	-	THHC2130GFT

Ground fault circuit interrupter (GFCI) for equipment protection (30mA)

- Equipment Protection GFCI are designed to protect against overloads, short circuits, and 30mA or greater ground faults. The GFCI breakers detect low levels of electrical current leakage (ground faults), and acts quickly to shut power off. Multi-pole circuit breakers incorporate an internal common trip.

	Ampere rating	1-pole, 120 Vac	2-pole, 120/240 Vac
		Ordering Code	Ordering Code
10,000 AIC			
	15	THQC1115GFEP	THQC2115GFEP
	20	THQC1120GFEP	THQC2120GFEP
	30	THQC1130GFEP	THQC2130GFEP
22,000 AIC			
	15	THHC1115GFEP	THHC2115GFEP
	20	THHC1120GFEP	THHC2120GFEP
	30	THHC1130GFEP	THHC2130GFEP

Q-Line cable-in cable-out (lug-lug) circuit breakers

Molded case switches

Q-Line molded case switches

- Molded case switches may be used as main devices in panelboards and switchboards but cannot be used as subfeeds or branch breakers because they do not provide wire protection. Q-Line molded case switches have a 10,000 ampere symmetrical short circuit withstand rating when protected by a fuse or circuit breaker rated 10,000 amperes IC or greater and whose ampere rating does not exceed the ampere rating of the switch. Line and load lugs included in basic switch ordering code.
- All circuit breakers are built, tested, and listed to UL and cUL standards (UL 489).



TQC21Y60

	Ampere rating	2-pole, 120/240 Vac	2-pole, 240 Vac	3-pole, 240 Vac
		Ordering Code	Ordering Code	Ordering Code
10,000 AIC				
	60	TQC21Y60	TQC22Y60	TQC32Y60
	100	TQC21Y100	TQC22Y100	TQC32Y100

Wire Specifications



Breaker type	Ampere rating	Wire size AWG/kcmil ¹
TQC	60	8-3 Cu/8-3 Al
	100	6-1/0 Cu/4-1/0 Al

¹ Solid or stranded for 14-10AWG

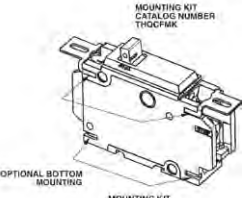
Q-Line Circuit Breakers

Accessories
240V Class

Terminals (Lugs) for Q-Line Circuit Breakers

	Ampere Rating	Termination Type	Wire Range (Cu/Al)	Product Number
 Quick Connector THQECC	15-60	Lug (line only)	14-6/12-2	TQAL3A
 Load Lug THQEL3	15-60	Lug (load only)	14-2/12-2	THQEL3
	15-60	Quick connector (load only)	(4) 14/(4) 12	THQECC

Mounting Accessories for bolt-on and lug-lug circuit breakers

	Product Type	Ampere Rating	# of Poles	Used With Frame	Product Number
 Mounting Kit THQCFMK	Bolt-on Mounting Base	-	3	Bolt-on	TEY3B
	Back Mounting Plates Screw Type	-	1	Lug-lug	TQCBMPA1
	Back Mounting Plates Screw Type	-	2	Lug-lug	TQCBMPA2
	Back Mounting Plates Screw Type	-	3	Lug-lug	TQCBMPA3
	Back Mounting Plates Screw Type	-	10	Lug-lug	TQCBMPA10
	Front-mounting Plates	-	1	Lug-lug	TQCFMP1 ¹
	Front-mounting Plates	-	2	Lug-lug	TQCFMP2 ¹
	Front-mounting Plates	-	3	Lug-lug	TQCFMP3 ¹
	Front-mounting Plates	-	4	Lug-lug	TQCFMP4 ¹
	Pack of 48 Front/Rear Mounting Clips	15-60A	1 & 2-pole	Lug-lug	THQCFMK
	Pack of 24 DIN rail clips	-	-	Lug-lug	THQCDIN

Mounting Accessories for lug-lug ground fault circuit breakers

Product Type	# of Poles	Used With Frame	Product Number
Snap In Back Mounting Plates	1	Lug-lug ground fault circuit breakers	TQCGFBMPA1
Snap In Back Mounting Plates	2	Lug-lug ground fault circuit breakers	TQCGFBMPA2
Snap In Back Mounting Plates	3	Lug-lug ground fault circuit breakers	TQCGFBMPA3
Snap In Back Mounting Plates	10	Lug-lug ground fault circuit breakers	TQCGFBMPA10





Mounting Accessories for plug-in circuit breakers

Product Type	Ampere Rating	# of Poles	Used With Frame	Product Number
Plug-in Mounting Base	70	2	Plug-in thermal magnetic circuit breakers	571B595DDG1
Plug-in Mounting Base	70	3	Plug-in thermal magnetic circuit breakers	571B595DDG2
Plug-in Mounting Base	100	3	Plug-in thermal magnetic circuit breakers	565B837G1
Plug-in Mounting Base	100	2	Plug-in thermal magnetic circuit breakers	565B837G2

Q-Line Circuit Breakers

Accessories

Handle Locking Devices & Handle Ties

	Description	Breaker Type	Product Number
 THL103	Handle Locks - Non Padlocking	Plug-in, bolt-on, and lug-lug thermal magnetic circuit breakers	THL103 ³
	Handle Locks - Padlocking	Plug-in, bolt-on, and lug-lug electronic circuit breakers	THP100E ²
 THP100	Handle Locks - Non Padlocking	Plug-in, bolt-on, and lug-lug ground fault circuit breakers	TQPL ³
	Handle Locks - Padlocking	Plug-in and bolt-on thermal magnetic circuit breakers	THP100
	Handle Locks - Padlocking	THQP	TQPPL
	Handle Locks - Padlocking	Lug-lug thermal magnetic circuit breakers	TQPLD1
 THT104	Snap-on Handle Tie - Trip Indicating	Plug-in, bolt-on, and lug-lug thermal magnetic circuit breakers	TQHT1 ⁴
	Snap-on Handle Tie - Solid	Plug-in, bolt-on, and lug-lug thermal magnetic circuit breakers	THT104 ⁴
 TQHT1	Multiwire Branch Breaker Handle Tie Kits	Plug-in, bolt-on, and lug-lug thermal magnetic circuit breakers	TQ3HTK ⁵ TQ4HTK ⁶

All multi-pole breakers have internal common trip

Handle ties provide manual on-off capability only between one-pole devices

Breaker Mounting Screw Kit

	Product Type	Used With Frame	Product Number
	Breaker Mounting Screw Kit	Bolt-on thermal magnetic circuit breakers	TQBS1 ¹

¹Packaged in quantities of 24.

²Suitable for use on single pole breakers only.

³Kit includes (1) lock for 1-pole breaker and (1) lock for 2-pole breaker

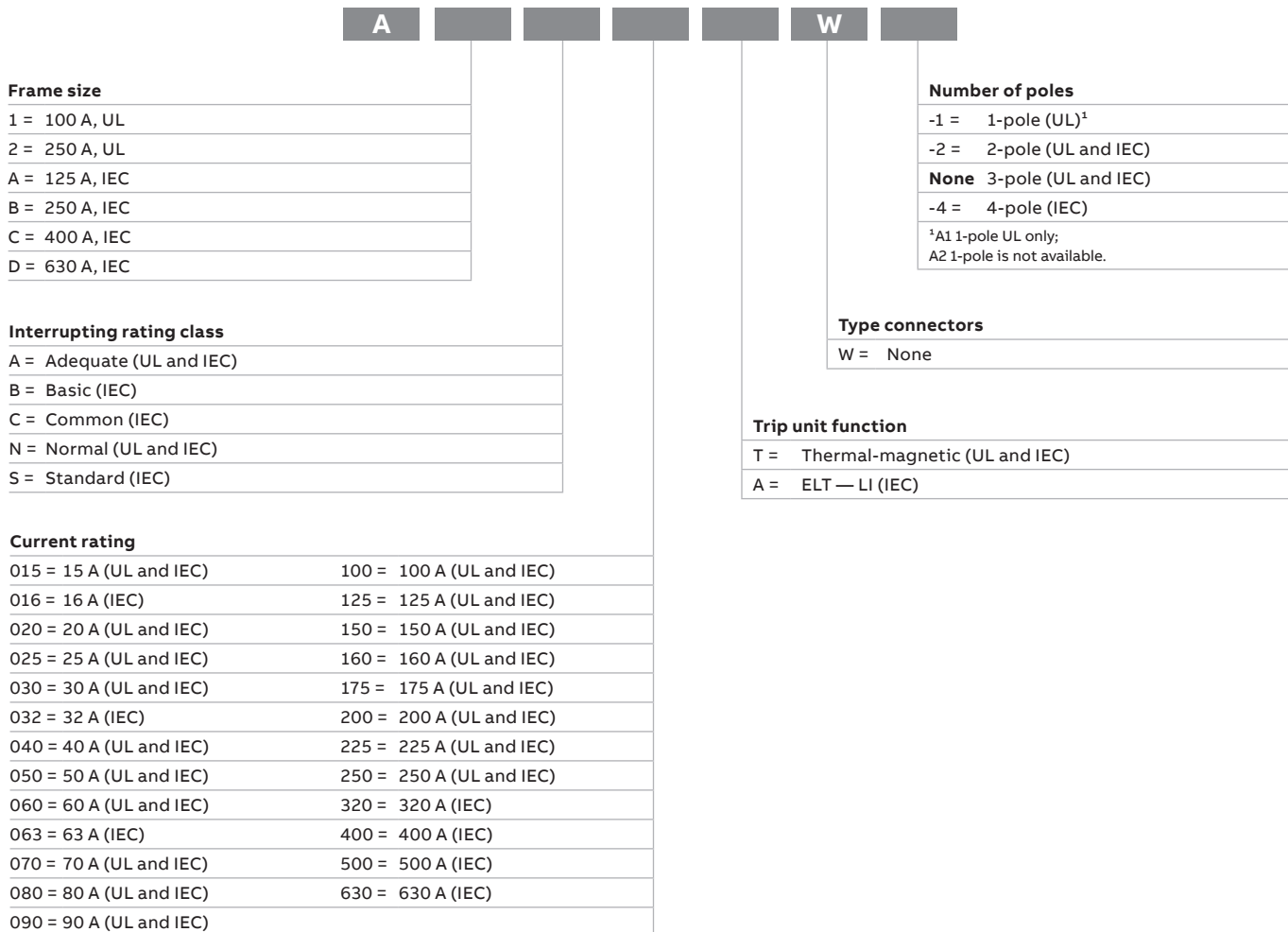
⁴For two single-pole breakers

⁵For three single-pole breakers - kit includes (10) pcs.

⁶For four single-pole breakers - kit includes (10) pcs.

Formula

Ordering code construction



Formula Circuit breakers for power distribution

A1 ordering information



A1 100 A — Fixed (F) 1-pole — Front terminals (F), thermal-magnetic trip unit — TMF Icu (240 V)

In	I3	A (10 kA)	N (18 kA)
15	400	A1A015TW-1	A1N015TW-1
20	400	A1A020TW-1	A1N020TW-1
25	400	A1A025TW-1	A1N025TW-1
30	400	A1A030TW-1	A1N030TW-1
40	400	A1A040TW-1	A1N040TW-1
50	500	A1A050TW-1	A1N050TW-1
60	600	A1A060TW-1	A1N060TW-1
70	700	A1A070TW-1	A1N070TW-1
80	800	A1A080TW-1	A1N080TW-1
90	900	A1A090TW-1	A1N090TW-1
100	1000	A1A100TW-1	A1N100TW-1



A1 100 A — Fixed (F) 2-pole — Front terminals (F), thermal-magnetic trip unit — TMF Icu (240 V)

In	I3	A (10 kA)	N (25 kA)
15	400	A1A015TW-2	A1N015TW-2
20	400	A1A020TW-2	A1N020TW-2
25	400	A1A025TW-2	A1N025TW-2
30	400	A1A030TW-2	A1N030TW-2
40	400	A1A040TW-2	A1N040TW-2
50	500	A1A050TW-2	A1N050TW-2
60	600	A1A060TW-2	A1N060TW-2
70	700	A1A070TW-2	A1N070TW-2
80	800	A1A080TW-2	A1N080TW-2
90	900	A1A090TW-2	A1N090TW-2
100	1000	A1A100TW-2	A1N100TW-2



A1 100 A — Fixed (F) 3-pole — Front terminals (F), thermal-magnetic trip unit — TMF Icu (240 V)

In	I3	A (10 kA)	N (25 kA)
15	300	A1A015TW	A1N015TW
20	300	A1A020TW	A1N020TW
25	300	A1A025TW	A1N025TW
30	300	A1A030TW	A1N030TW
40	400	A1A040TW	A1N040TW
50	500	A1A050TW	A1N050TW
60	600	A1A060TW	A1N060TW
70	700	A1A070TW	A1N070TW
80	800	A1A080TW	A1N080TW
90	900	A1A090TW	A1N090TW
100	1000	A1A100TW	A1N100TW

Formula Circuit breakers for power distribution

A2 ordering information



A2 250 A — Fixed (F) 2-pole — Front terminals (F), thermal-magnetic trip unit — TMF Icu (240 V)

In	I ₃	A (10 kA)	N (25 kA)
125	1250	A2A125TW-2	A2N125TW-2
150	1500	A2A150TW-2	A2N150TW-2
175	1750	A2A175TW-2	A2N175TW-2
200	2000	A2A200TW-2	A2N200TW-2
225	2250	A2A225TW-2	A2N225TW-2
250	2500	A2A250TW-2	A2N250TW-2



A2 250 A — Fixed (F) 3-pole — Front terminals (F), thermal-magnetic trip unit — TMF Icu (240 V)

In	I ₃	A (10 kA)	N (25 kA)
125	1250	A2A125TW	A2N125TW
150	1500	A2A150TW	A2N150TW
175	1750	A2A175TW	A2N175TW
200	2000	A2A200TW	A2N200TW
225	2250	A2A225TW	A2N225TW
250	2500	A2A250TW	A2N250TW

Formula Accessories

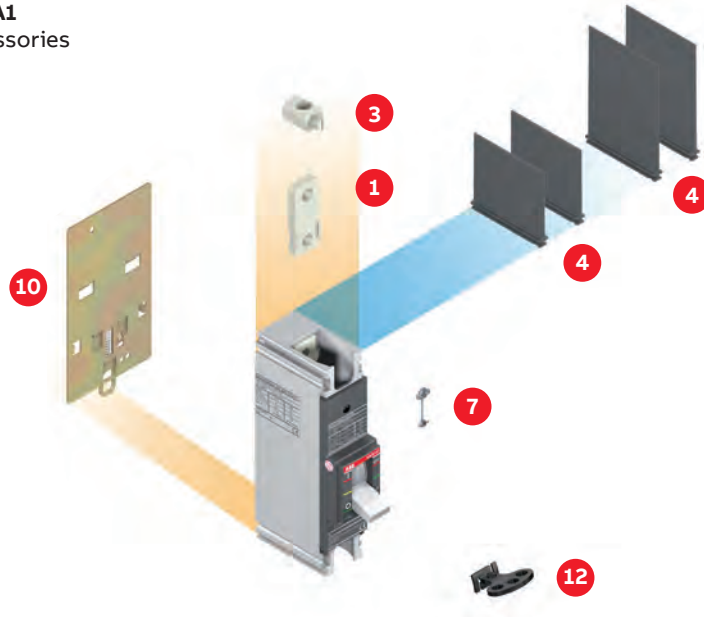
Panorama of accessories

Caption

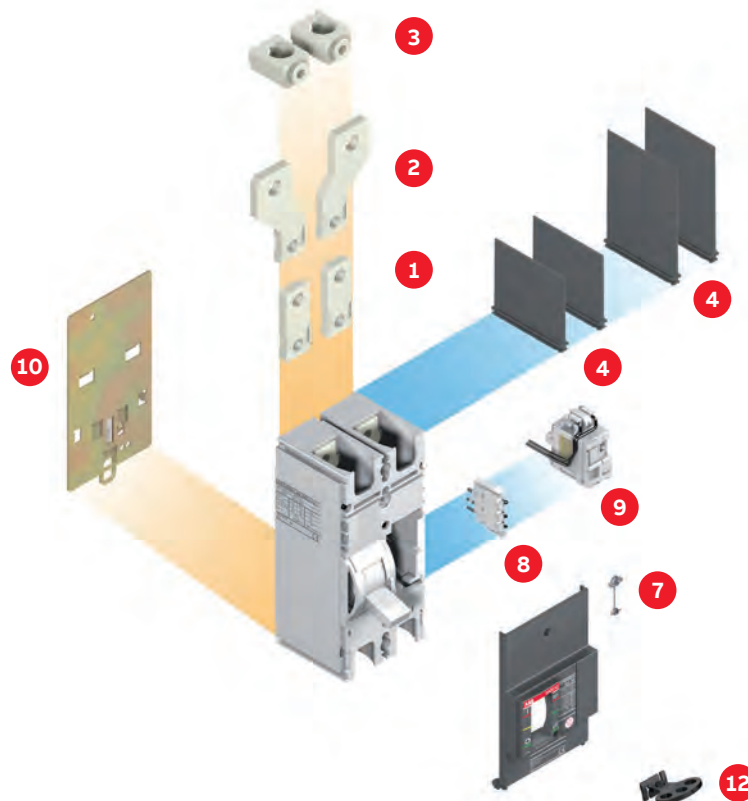
- 1** EF: extended front terminals ¹
- 2** ES: extended spread terminals ¹
- 3** FC CuAl: front terminals for copper and aluminum cables
- 4** PS: phase separators
- 5** HTC: high terminal cover
- 6** LTC: low terminal cover
- 7** Sealable screw ¹
- 8** AUX-C/AUE-C: auxiliary contact
- 9** SOR-C/UVR-C: service releases
- 10** DIN: DIN rail ¹
- 12** PLL: padlocks
- 14** RHD: rotary handle direct
- 15** RHE: extended rotary handle
- 16** Key lock ¹

¹ IEC rated only.
Not UL rated.

FORMULA A1 1-pole accessories



FORMULA A1-A2 2-pole accessories



All FORMULA accessories are sold separately to be field installed.

Formula Accessories

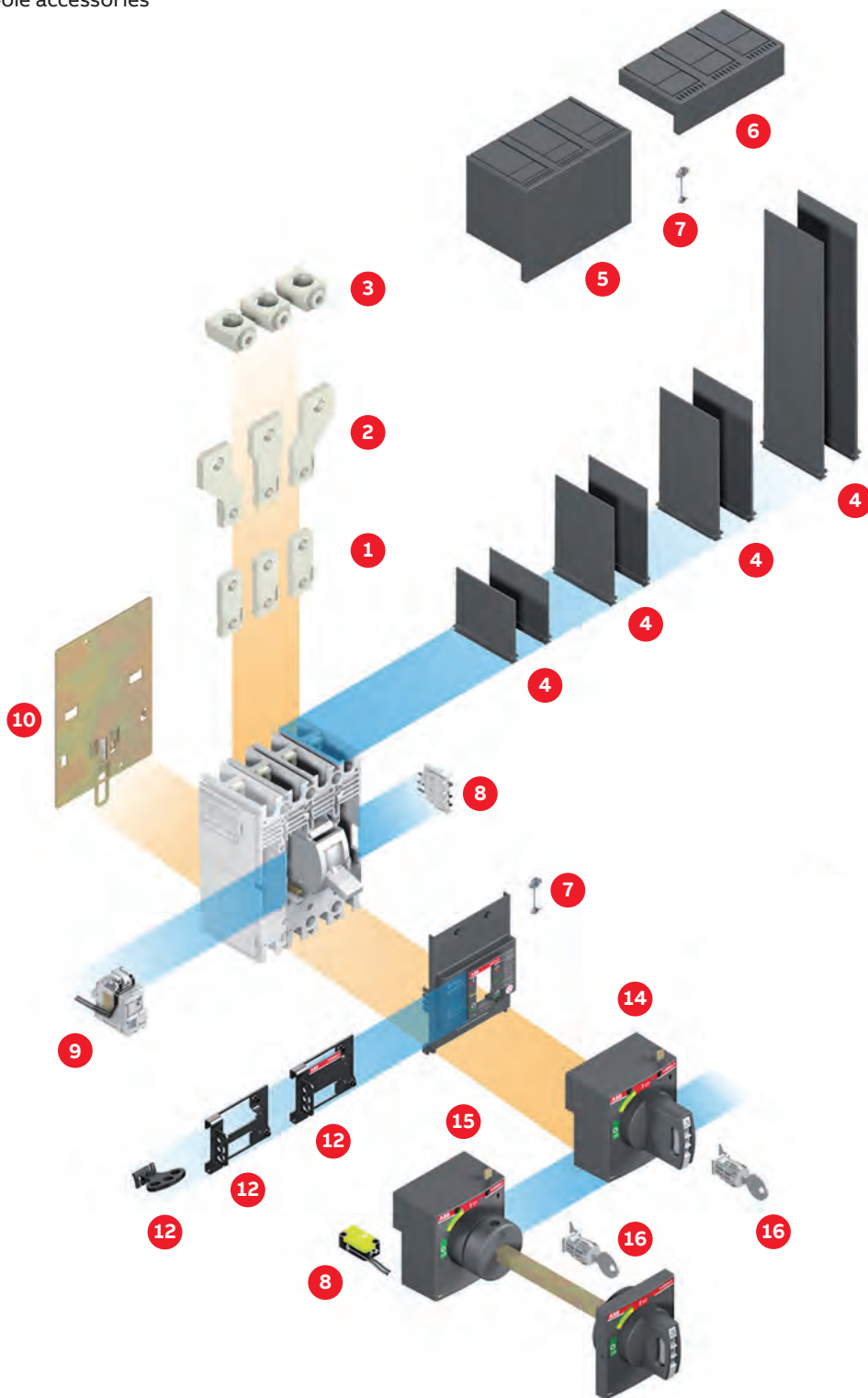
Panorama of the accessories

Caption

FORMULA A1-A2 3-pole accessories

- 1** EF: extended front terminals ¹
- 2** ES: extended spread terminals ¹
- 3** FC CuAl: front terminals for copper and aluminum cables
- 4** PS: phase separators
- 5** HTC: high terminal cover
- 6** LTC: low terminal cover
- 7** Sealable screw ¹
- 8** AUX-C/AUE-C: auxiliary contact
- 9** SOR-C/UVR-C: service releases
- 10** DIN: DIN rail ¹
- 12** PLL: padlocks
- 14** RHD: rotary handle direct
- 15** RHE: extended rotary handle
- 16** Key lock ¹

¹ IEC rated only.
Not UL rated.



All FORMULA accessories are sold separately to be field installed.

Formula Accessories

Mechanical accessories

- 01 Terminal F
- 02 Terminal F with cable lug
- 03 Terminal F with busbar
- 04 Terminal EF
- 05 Terminal EF with busbar

Connection terminals

The connection terminals allow the circuit breaker to be connected in the most suitable way for the desired application. Various termination options are available in both UL and IEC rated formats.

The front terminals allow cables or busbars to be connected directly from the front of the circuit breaker (cable lugs are not included). Different types of terminals can be combined (for example, one type for the line and a different type for the load side).

The standard version of the circuit breaker is supplied with front terminals (F). Alternative terminal options are sold separately.



Front terminals — F

Type	Pole	Busbar dimensions (mm/in.)				Cable lug (mm/in.)		Tightening torques		Terminal covers (mm/in.)				Separators (mm/in.)					
		W	H	D	ø	W	ø	Terminal	Cable or busbar	2/0.07	7.5/0.29	50/1.96	60/2.36	50/1.96	80/3.14	100/3.93	200/7.87		
A1	1 2 3	15/0.59	6/0.23	5/0.19	6.5/0.25	15/0.59	6.5/0.25	–	–	M6	4	–	–	R	–	S ¹	–	R	–
A2	2 3	25/0.98	8/0.31	6/0.23	8.5/0.33	24/0.94	8.5/0.33	–	–	M8	8	–	–	–	R	–	S ¹	R	–

¹Separators are supplied on line side

Front terminals

	1 piece	2 pieces	3 pieces	4 pieces	6 pieces
KIT F A1	KA1F-1	KA1F-2	KA1F-3	KA1F-4	KA1F-6
KIT F A2	–	KA2F-2	KA2F-3	KA2F-4	KA2F-6

Formula Accessories

Mechanical accessories



Front terminals for copper aluminum cables — FC CuAl

Type	Assembly	Pole	Cable (mm/in.)	Tightening torques				Length of Cable stripping (mm/in.)	Terminal covers (mm/in.)				Separators (mm/in.)			
				Rigid	Terminal	Cable or busbar			2/0.07	7.5/0.29	50/1.96	60/2.36	50/1.96	80/3.14	100/3.93	200/7.87
A1	Internal	1 ¹ 2 ¹ 3	14–2 AWG	M6	35 lb-in	–	14–10 AWG; 20 lb-in 8 AWG; 35 lb-in 6–2 AWG; 75 lb-in	16/0.62	–	S ¹	R	–	–	–	–	–
A1	Internal	1 ¹ 2 ¹ 3	4–1 AWG	M6	35 lb-in	–	75 lb-in	16/0.62	–	S ¹	R	–	–	–	–	–
A2	Internal	2 3	1 AWG–300 kcmil	M8	135 lb-in	–	135 lb-in	20/0.78	–	S ¹	–	R	–	–	–	–
A2	Internal	2 3	300–350 kcmil	M8	135 lb-in	–	177 lb-in	22/0.86	–	S ¹	–	R	–	–	–	–

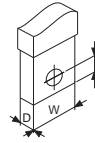
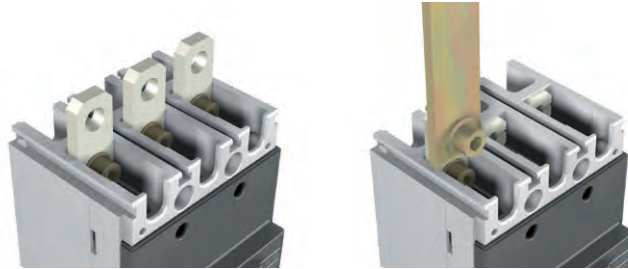
¹Terminal covers are not supplied for 1p and 2p. The use of phase separators, supplied with the standard circuit breaker, and the insulating of switchboard door are mandatory.

Front terminals for copper aluminum cables — FC CuAl

	1 piece	2 pieces	3 pieces	4 pieces	6 pieces
KIT FC CuAl A1 80 A	KA1080-1	KA1080-2	KA1080-3	KA1080-4	KA1080-6
KIT FC CuAl A1 100 A	KA1100-1	KA1100-2	KA1100-3	KA1100-4	KA1100-6
KIT FC CuAl A2; 250 A Cu cables and 225A Al cables	–	KA2225-2	KA2225-3	KA2225-4	KA2225-6
KIT FC CuAl A2 250 A	–	KA2250-2	KA2250-3	KA2250-4	KA2250-6

Formula Accessories

Mechanical accessories



NA = Not available
 W = Width
 H = Hole height
 D = Depth
 ø = Diameter
 S = Standard
 R = On request

04

05

Front extended terminals — EF (IEC only)

Type	Pole	Busbar dimensions (mm/in.)			Cable lug (mm/in.)		Tightening torques		Terminal covers (mm/in.)				Separators (mm/in.)					
		W	D	ø	W	ø	Terminal	Cable or busbar	2/0.07	7.5/0.29	50/1.96	60/2.36	50/1.96	80/3.14	100/3.93	200/7.87		
A1	1 2 3	15/0.59	5/0.19	8.5/0.33	15/0.59	8.5/0.33	M6	3	M8	9	-	-	R	-	S	-	R	-
A2	2 3	25/0.98	6/0.23	9/0.35	NA	NA	M8	8	M8	9	-	-	-	R	-	¹	R	-

¹In EF terminal kit, the phase separators are not provided, but for a correct installation, it is necessary to use the phase separators already provided with the circuit breaker base.

Front extended terminals (IEC only)

	1 piece	2 pieces	3 pieces	4 pieces	6 pieces
KIT EF A1	KA1EF-1	KA1EF-2	KA1EF-3	KA1EF-4	KA1EF-6
KIT EF A2	-	KA2EF-2	KA2EF-3	KA2EF-4	KA2EF-6

- 01 Terminal ES
- 02 Terminal ES with cable lug
- 03 Terminal ES with busbar
- 04 Terminal FCCuAl
- 04 Terminal FCCuAl with cable



01

02

03

Front extended spread terminal — ES (IEC only)

Type	Pole	Busbar dimensions (mm/in.)			Cable lug (mm/in.)		Tightening torques		Terminal covers (mm/in.)				Separators (mm/in.)					
		W	D	ø	W	ø	Terminal	Cable or busbar	2/0.07	7.5/0.29	50/1.96	60/2.36	50/1.96	80/3.14	100/3.93	200/7.87		
A1	2 3	20/0.78	6/0.23	8.5/0.33	20/0.78	8.5/0.33	M6	3	M8	9	-	-	-	-	-	-	S	-
A2	2 3	30/1.18	4/0.15	10.5/0.41	10.5/0.41	NA	M8	8	M10	18	-	-	-	-	-	-	S	-

Front extended spread terminals (IEC only)

	1 piece	2 pieces	3 pieces	4 pieces	6 pieces
KIT ES A1	KA1ES-1	KA1ES-2	KA1ES-3	KA1ES-4	KA1ES-6
KIT ES A2	-	KA2ES-2	KA2ES-3	KA2ES-4	KA2ES-6

Formula Accessories

Mechanical accessories

- 01 High terminal cover (HTC)
- 02 Low terminal cover (LTC)
- 03 Sealable screw
- 04 Phase separators (PS)

Terminal covers, phase separators and sealable screws

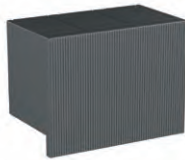
Both high (HTC) and low (LTC) terminal covers are applied to the circuit breaker to avoid accidental contact with live parts and, in this way, to ensure protection against direct contact. The terminal covers are pre-punched for knock-out on the front to facilitate installation of busbars and/or cables, providing correct insulation.

against direct contact and tampering. The screws can be locked with a wire and sealed with lead.

The compulsory and optional phase separators and terminal covers needed for correct installation and insulation of the circuit breaker are indicated in the “connection terminals” section of the accessories chapter and in the “overall dimension” chapter.

The phase separator partitions (PS) allow the insulation characteristics between phases to be increased near the connections. They are mounted on the front by inserting them into the corresponding slots and can be applied either prior to or when the circuit breaker is already installed. The phase separators are incompatible with both the high and the low terminal covers.

The lead sealing kit includes screws, which, when used, prevent removal of the terminal covers and/or circuit breaker fronts, acting as a protection



01



02



03



04

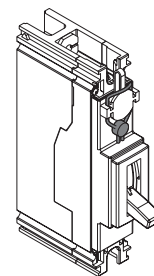
Terminal covers

	A1	A2
HTC 3-pole, 2 pieces	KA1HTC-3	KA2HTC-3
LTC 3-pole, 2 pieces	KA1LTC-3	KA2LTC-3
Sealable screws for terminal covers	KA2SSW-T	—
Sealable screws for front	KA2SSW-F	—

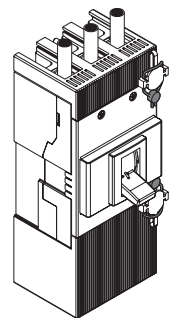
Phase separators

	A1		A2	
	2 pieces	4 pieces	2 pieces	4 pieces
PB 50 mm	KA1PBL-2	KA1PBL-3	—	—
PB 80 mm	—	—	KA2PBL-2	KA2PBL-3
PB 100 mm	KA2PBH-2	KA2PBH-3	KA2PBH-2	KA2PBH-3
Sealable screws for front (IEC only)	KA2SSW-F	—	—	—

Diagrams



Sealable screw onto the circuit breaker front



Sealable screw onto the terminal covers

Formula Accessories

Mechanical accessories

- 01 Direct handle (RHD)
- 02 Extended handle (RHE)



01



02

Rotary handle operating mechanism

A rotary handle operating mechanism is a control device that allows the circuit breaker to be comfortably operated by means of a rotary handle.

There are two types of handles:

- Direct (RHD): installed directly on the front of the circuit breaker
- Extended (RHE): installed through the switchboard door; RHE interacts with the circuit breaker behind the door by means of a transmission rod

The rotary handles, in the direct and extended version, are available for the three-pole A1 and A2 circuit breakers both in the standard version (grey) and in the emergency version (red on a yellow background).

Information/settings visible and accessible to the user:

- Circuit breaker nameplate
- Indication of the 3 positions: open (OFF), closed (ON), tripped (TRIP)
- Access to the test pushbutton of the rotary handle release (only RHD)

Rotary handle operating mechanisms can be ordered:

- By using the pre-configured “kit” code (RHD and RHE)
- By ordering the following three devices (only RHE):
 - Rotary handle on door of the compartment: standard (RHE_H) or emergency (RHE_H_EM)
 - Transmission rod of 500 mm (RHE_S); the minimum and maximum distances between the mounting surface and the door are 62.5 mm/2.46 in. and 479.5 mm/18.88 in.
 - Base for circuit breaker (RHE_B)

It is possible to accessorize the handles with a vast range of key locks and padlocks. Each rotary handle takes up to 3 padlocks (7 mm/0.28 in. Ø stem). (See the “locks” paragraph in the accessories chapter.)

The direct and extended rotary handles allow use of the early auxiliary contacts on closing in order to supply the undervoltage release with power early in relation to closing of the main circuit breaker contacts (see the “early auxiliary contacts” paragraph in the accessories chapter).

Rotary handle component

	A1-A2
RHD A1-A2 STAND. DIRECT	KA2RHD
RHD_EM A1-A2 EMER. DIRECT	KA2RHDEM
RHE A1-A2 STAND. RETURNED	KA2RHE
RHE_EM A1-A2 EMER. RETURNED	KA2RHEEM
RHE_B A1-A2 SIDEB.R.DIST.ADJ.ROT.HAND	KA2RHE-B
RHE_S A1-A2 ROD R.D.ADJ.ROT.HAN	KA2RHE-S
RHE_H A1-A2 HANDLE R.D.ADJ.ROT.HAN	KA2RHE-H
RHE_H A1-A2 HAND.EME.R.D.ADJ.ROT.HAN	KA2RHE-HEM

Formula Accessories

Mechanical accessories

- 01 Fixed padlock in open position (PLL)
- 02 Fixed padlock in open and closed position (PLL)
- 03 Removable padlock in open position (PLL)



01



02



03

Locks

Locks are devices (with padlocks or keys) which prevent the circuit breaker closing or opening operation. They can be applied:

- Directly onto the front of the circuit breaker
- Onto the direct/extended rotary handle operating mechanism
- Onto the front for lever operating mechanisms

Locking the circuit breaker in the open position ensures isolation of the circuit according to the IEC 60947-2 Standard. Locking in closed position does not prevent release of the mechanism following a fault.

Type of lock		Circuit breaker	Polarity	Optional/standard supply	CB lock position	Type of lock	Withdraw ability of key
Circuit breaker	PLL — Fixed padlock	A1-A2	3	Optional	Open-closed	Padlocks — max. 3 padlocks Ø stem 7 mm (not supplied)	—
	PLL — Fixed padlock	A1-A2	3	Optional	Open	Padlocks — max. 3 padlocks Ø stem 7 mm (not supplied)	—
	PLL — Removable padlock	A1-A2	1 ² , 2, 3	Optional	Open	Padlocks — max. 3 padlocks Ø stem 7 mm (not supplied)	—
Rotary handle direct and extended	Padlock in open position	A1-A2	3	Standard	Open	Padlocks — max. 3 padlocks Ø stem 7 mm (not supplied)	—
	Compartment door lock	A1-A2	3	Standard	Closed	Door lock ¹	—
	RHL-S Lock with key in open pos.	A1-A2	3	Optional	Open	Same Ronis keys	Open
	RHL-D Lock with key in open pos.	A1-A2	3	Optional	Open	Different Ronis keys	Open
	RHL-D Lock with key in open and closed position	A1-A2	3	Optional	Open-closed	Different Ronis keys	Open/closed

¹Function can be completely excluded by the customer during assembly of the handle (A1 and A2).

²A2 is not available in a single-pole version.

Formula Accessories

Mechanical accessories

01 Circuit breaker with fixed padlock in open position

02 Circuit breaker with fixed padlock in open and closed position

03 Key lock for direct handle

04 Key lock for extended handle



01



02



03



04

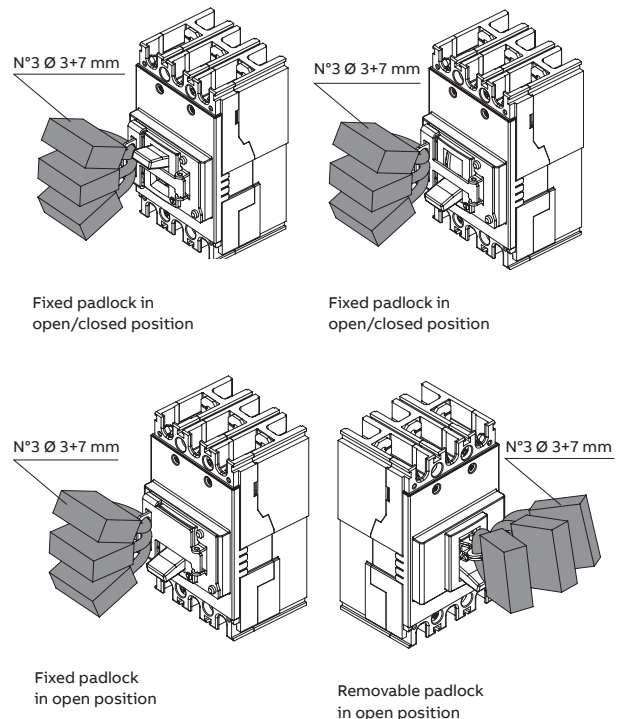
Padlocks for lever operating mechanism of the circuit breaker

	A1-A2
PLL — Padlocks removable in open position	KA2LDOR
PLL — Padlocks fixed in open position	KA2LDO
PLL — Padlocks fixed in open and closed position	KA2LD

Key lock on handle and front for lever operating mechanism (IEC only)

	A1-A2
RHL-D Lock in open position, different keys	KA2RHLO
RHL-S Lock in open position, same keys type A	KA2RHLO-A
RHL-S Lock in open position, same keys type B	KA2RHLO-B
RHL-S Lock in open position, same keys type C	KA2RHLO-C
RHL-S Lock in open position, same keys type D	KA2RHLO-D
RHL-D Lock in open/closed position, different keys	KA2RHL

Diagrams



Formula Accessories

Mechanical accessories

—
01 Bracket for DIN rail



—
01

Bracket for mounting on DIN rail

The bracket, applied on the back of the circuit breakers, allows installation on a standardized DIN EN 50022 rail so as to simplify mounting in standard installations.

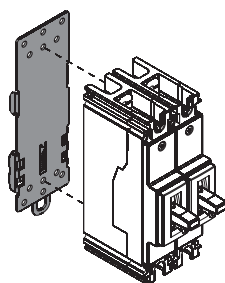
The bracket for mounting on DIN rail can be used with all the circuit breakers in the FORMULA family, with the exception of A3:

- A1 in 1p, 2p, 3p version
- A2 in 2p, 3p version

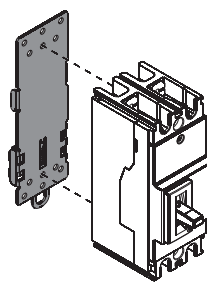
Bracket for mounting on DIN rail (IEC only, not labeled for UL)

	A1-A2
Bracket for 1p, 2p, 3p	KA2DIN

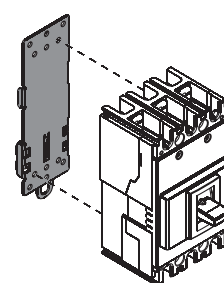
Diagrams



Bracket for DIN rail
for 1p circuit breaker



Bracket for DIN rail
for 2p circuit breaker



Bracket for DIN rail
for 3p circuit breaker

Formula Accessories

Electrical accessories

—
01 Cabled service release
SOR-C and UVR-C



—
01

Service releases

The cabled shunt opening release SOR-C allows for opening of the circuit breaker by means of a non-permanent electrical control. Operation of the release is guaranteed for a voltage between 70% and 110% of the power supply rated voltage value U_n , in both alternating and direct current. It is fitted with an integrated limit contact for cutting off the power supply.

The cabled undervoltage release UVR-C ensures opening of the circuit breaker for lack/lowering of the release power supply voltage. Opening is guaranteed when the voltage is between 70% and 35% of U_n . After tripping, the circuit breaker can be closed again starting from a voltage higher than 85% of U_n . With the undervoltage release de-energized, it is impossible to close the circuit breaker and/or the main contacts.

The service releases SOR-C and UVR-C for Formula can be mounted as alternatives to each other and are only available in the cabled version (20AWB cable section/0.5 mm²), with 1 m long cables. For A1 and A2, screw-less, snap-on assembly is carried out in the special internal compartment of the circuit breaker. In the following circuit breakers:

- Two-pole (A1, A2), the SOR-C or UVR-C can be mounted as an alternative in the right-hand slot
- Three-pole (A1, A2), the SOR-C or UVR-C can be mounted as an alternative in the left-hand slot

SOR-C — Electrical characteristics

Versions	Absorbed power on inrush	
	SOR-C A1-A2	
	AC (VA)	DC (W)
12 V DC		50
24–30 V AC/DC	50–65	50–65
48–60 V AC/DC	60	60
110–127 V AC — 110–125 V DC	50	50
220–240 V AC — 220–250 V DC	50–60	50–60

UVR-C — Electrical characteristics

Version	Absorbed power during normal operation	
	UVR-C A1-A2	
	AC (VA)	DC (W)
24–30 V AC/DC	1.5	1.5
48 V AC/DC	1	1
60 V AC/DC	1	1
110–127 V AC — 110–125 V DC	2	2
220–240 V AC — 220–250 V DC	2.5	2.5

Formula Accessories
Electrical accessories

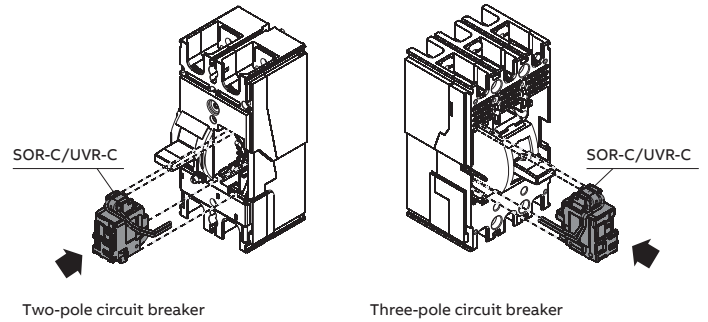
Shunt opening release — SOR-C

	A1-A2
SOR-C 12 V DC	KA2S9
SOR-C 24-30 V AC/DC	KA2S8
SOR-C 48-60 V AC/DC	KA2S7
SOR-C 110-127 V AC — 110-125 V DC	KA2S4
SOR-C 220-240 V AC — 220-250 V DC	KA2S2

Undervoltage release — UVR-C

	A1-A2
UVR-C 12 V DC	KA2U9
UVR-C 24-30 V AC/DC	KA2U8
UVR-C 48 V AC/DC	KA2U7
UVR-C 60 V AC/DC	KA2U5
UVR-C 110-127 V AC — 110-125 V DC	KA2U4
UVR-C 220-240 V AC — 220-250 V DC	KA2U2

Diagrams



Two-pole circuit breaker

Three-pole circuit breaker

Formula Accessories

Electrical accessories

01 Cabled auxiliary contact



Auxiliary contacts for electrical signals

The auxiliary contacts allow information about the state of the circuit breaker to be available through an electronic signal to another apparatus.

The signals available are as follows:

- Form C (open/closed): signaling the position of the circuit breaker power contacts (Q)
- Bell alarm (release trip): signaling circuit breaker opening due to tripping of the thermal-magnetic or electronic trip unit (due to overload or short circuit), of the opening of the shunt opening release or undervoltage release (SOR-C or UVR-C) or by activation of the test pushbutton (SY)

Auxiliary contacts AUX-C Q, AUX-C SY

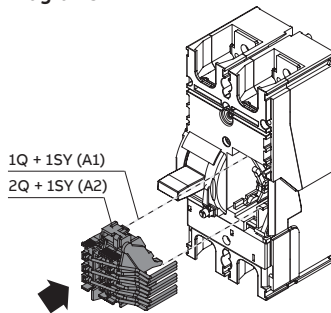
The auxiliary contacts for A1 and A2 snap into the special slot of the circuit breaker without the use of any screws. All the auxiliary contacts are supplied in the cabled version (20 AWG cable section/0.5 mm²), with loose cables 1 m long.

An AUX-C contact is also available as a spare part, and it can be used as Q or SY according to the slot of the circuit breaker in which it is inserted.

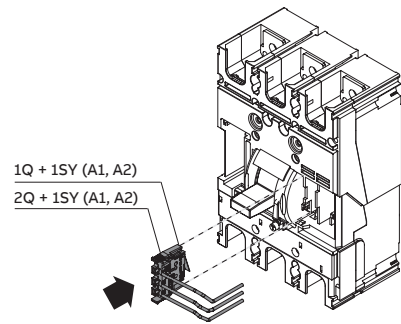
AUX-C — Electrical characteristics

Category of use (IEC 60947-5-1)	Voltage (V)	Current (A)
AC-12/AC-13/AC-14	125	6
AC-15	125	5
AC-12/AC-13/AC-14	250	6
AC-15	250	4
DC-12	110	0.5
DC-14	110	0.05
DC-12	250	0.3
DC-14	250	0.03

Diagrams



Two-pole circuit breaker



Three-pole circuit breaker

Formula Accessories

Electrical accessories

01 Early auxiliary contact

Auxiliary contacts — AUX-C

	A1		A2	
	2-pole	3-pole	2-pole	3-pole
Cabled version (numbered cables)				
AUX-C 1Q+1SY 250 V AC/DC	KA2AS-2	KA2AS	–	KA2AS
AUX-C 2Q+1SY 250 V A2 2p	–	KA2AS2	KA2AS2-2	KA2AS2
AUX-C 1Q+1SY 24 V DC	KA2ASAU-2	KA2ASAU	–	KA2ASAU
AUX-C 2Q+1SY 24 V DC	–	KA2AS2AU	KA2AS2AU-2	KA2AS2AU
Cabled version (spare parts) (IEC only)				
AUX-C 250 V 1 CONT. A1-A2	KA2ASSP			



Early auxiliary contacts AUE-C (IEC only)

The cabled early auxiliary contacts (AUE-C) are normally open contacts, which allow the undervoltage release to be supplied in advance prior to the closing of the main contacts in conformity with the IEC 60204-1, VDE 0113 standards.

It is possible to insert up to two early auxiliary contacts on closing inside the direct and extended rotary handle operating mechanism for three-pole circuit breakers. The contacts, supplied in the cabled version with cables 1 m long (20 AWG cable section/0.5 mm²), must be ordered in combination with an undervoltage release.

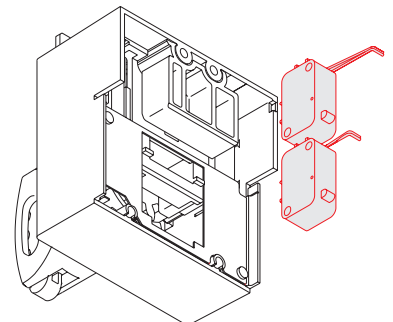
AUE -C — Electrical characteristics

Voltage (V)	Current (A)	
	AC	DC
125 DC	–	0.5
250 AC/DC	12	0.3

Early auxiliary contacts — AUE-C (IEC only)

	A1-A2
AUE-C	KA2RH-EM

Diagram



Industrial Circuit Breakers

15-100A

Thermal Magnetic Trip

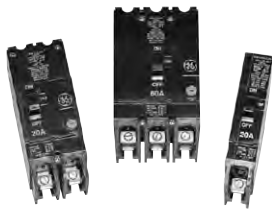
Type TEY/TEYF

Noninterchangeable Trip

Bolt-on

480Y/277V Class

TEY and TEYF breakers are one-inch wide per pole, compact, bolt-on circuit breakers for use on grounded 480Y/277 Vac systems. Short circuit ratings at that voltage for TEY and TEYF are 14 and 18kA, respectively. TEYF also offers higher selectivity ratings with upstream devices (See DET-537 for details). The bolt-on mounting base (TEY3B) shown on page 6-173 makes TEY and TEYF suitable for various lug-lug applications.



1- 2- and 3-pole TEY/TEYF breakers

TEY/TEYF (UL/cUL File E-11592)

Ampere Rating	Wire Range ¹	Product Number	Product Number
Single Pole - Includes Integral Cu/Al Load Lugs		Type TEY^{3,4} 14kA @ 277 Vac	Type TEYF^{3,4} 18kA @ 277 Vac
15	#14-#10	TEY115 ²	TEYF115 ²
20	#14-#10	TEY120 ²	TEYF120 ²
25	#10-#4	TEY125	TEYF125
30	#10-#4	TEY130	TEYF130
35	#10-#4	TEY135	TEYF135
40	#10-#4	TEY140	TEYF140
45	#10-#4	TEY145	TEYF145
50	#10-#4	TEY150	TEYF150
60	#10-#4	TEY160	TEYF160
70	#4-1/0	TEY170	-
80	#4-1/0	TEY180	-
90	#4-1/0	TEY190	-
100	#4-1/0	TEY1100	-
Two-Pole - Includes Integral Cu/Al Load Lugs		Type TEY^{3,4} 14kA @ 480 / 277 Vac	Type TEYF^{3,4} 18kA @ 480 / 277 Vac
15	#14-#10	TEY215	TEYF215
20	#14-#10	TEY220	TEYF220
25	#10-#4	TEY225	TEYF225
30	#10-#4	TEY230	TEYF230
35	#10-#4	TEY235	TEYF235
40	#10-#4	TEY240	TEYF240
45	#10-#4	TEY245	TEYF245
50	#10-#4	TEY250	TEYF250
60	#10-#4	TEY260	TEYF260
70	#4-1/0	TEY270	TEYF270
80	#4-1/0	TEY280	TEYF280
90	#4-1/0	TEY290	TEYF290
100	#4-1/0	TEY2100	TEYF2100
110	#3-3/0 Cu, #1-3/0 Al	-	TEYF2110B
125	#3-3/0 Cu, #1-3/0 Al	-	TEYF2125B
Three-Pole - Includes Integral Cu/Al Load Lugs		Type TEY^{3,4} 14kA @ 480 / 277 Vac	Type TEYF^{3,4} 18kA @ 480 / 277 Vac
15	#14-#10	TEY315	TEYF315
20	#14-#10	TEY320	TEYF320
25	#10-#4	TEY325	TEYF325
30	#10-#4	TEY330	TEYF330
35	#10-#4	TEY335	TEYF335
40	#10-#4	TEY340	TEYF340
45	#10-#4	TEY345	TEYF345
50	#10-#4	TEY350	TEYF350
60	#10-#4	TEY360	TEYF360
70	#4-1/0	TEY370	TEYF370
80	#4-1/0	TEY380	TEYF380
90	#4-1/0	TEY390	TEYF390
100	#4-1/0	TEY3100	TEYF3100
110	#3-3/0 Cu, #1-3/0 Al	-	TEYF3110B
125	#3-3/0 Cu, #1-3/0 Al	-	TEYF3125B

¹Solid or stranded for 14-10 AWG.

²Single-pole, 15 and 20 ampere breakers are also UL listed as switching duty breakers, suitable for switching 120, 240, or 277 Vac.

³UL listed HACR (Heating, Air Conditioning, Refrigeration).

⁴UL listed for HID (high intensity discharge), all 50A or less.

Industrial Circuit Breakers

15-125A

Thermal Magnetic Trip

Type TEYD/TEYH/TEYL

Noninterchangeable Trip

Bolt-on

480Y/277V Class

The TEY family of circuit breakers (TEY, TEYF, TEYD, TEYH, and TEYL) are one-inch wide per pole, compact, bolt-on circuit breakers for use on grounded 480Y/277 Vac systems, and are typically installed within Lighting Panelboards, including ABB A-Series. Short circuit ratings at 480/277 Vac are shown in the tables that follow. Ratings at other voltages are shown in the Quick Reference Guide at the beginning of this section. Bolt-On mounting bases TEY3B (page 6-61) and TEY3B125 (page 6-61) make these frames suitable for unit mount / lug-lug connected applications. Handle tie kits, suitable for use with multiple single pole breakers used on shared neutral circuits (page 6-61) are available for TEYD/H/L circuit breakers.



1- 2- and 3-pole TEYD/TEYH/TEYL breakers

TEYD/TEYH/TEYL (UL/cUL File E-11592)

Amperage Rating	Wire Range ¹	Product Number	Product Number	Product Number
Single Pole Includes Load Lugs				
		Type TEYD	Type TEYH	Type TEYL
		25kA @ 480 / 277 Vac	35kA @ 480 / 277 Vac	65kA @ 480 / 277 Vac
	#14-#10	TEYD1015B	TEYH1015B	TEYL1015B
	#14-#10	TEYD1020B	TEYH1020B	TEYL1020B
	#10-#4	TEYD1025B	TEYH1025B	TEYL1025B
	#10-#4	TEYD1030B	TEYH1030B	TEYL1030B
	#10-#4	TEYD1035B	TEYH1035B	TEYL1035B
	#10-#4	TEYD1040B	TEYH1040B	TEYL1040B
	#10-#4	TEYD1045B	TEYH1045B	TEYL1045B
50	#10-#4	TEYD1050B	TEYH1050B	TEYL1050B
60	#10-#4	TEYD1060B	TEYH1060B	TEYL1060B
70	#4-1/0	TEYD1070B	TEYH1070B	TEYL1070B
Two-Pole Includes Load Lugs				
		Type TEYD	Type TEYH	Type TEYL
		25kA @ 480 / 277 Vac	35kA @ 480 / 277 Vac	65kA @ 480 / 277 Vac
15	#14-10	TEYD2015B	TEYH2015B	TEYL2015B
20	#14-10	TEYD2020B	TEYH2020B	TEYL2020B
25	#10-#4	TEYD2025B	TEYH2025B	TEYL2025B
30	#10-#4	TEYD2030B	TEYH2030B	TEYL2030B
35	#10-#4	TEYD2035B	TEYH2035B	TEYL2035B
40	#10-#4	TEYD2040B	TEYH2040B	TEYL2040B
45	#10-#4	TEYD2045B	TEYH2045B	TEYL2045B
50	#10-#4	TEYD2050B	TEYH2050B	TEYL2050B
60	#10-#4	TEYD2060B	TEYH2060B	TEYL2060B
70	#4-1/0	TEYD2070B	TEYH2070B	TEYL2070B
80	#4-1/0	TEYD2080B	TEYH2080B	TEYL2080B
90	#4-1/0	TEYD2090B	TEYH2090B	TEYL2090B
100	#4-1/0	TEYD2100B	TEYH2100B	TEYL2100B
110	#3-3/0 Cu, #1-3/0 Al	TEYD2110B	TEYH2110B	TEYL2110B
125	#3-3/0 Cu, #1-3/0 Al	TEYD2125B	TEYH2125B	TEYL2125B
Three-Pole Includes Load Lugs				
		Type TEYD	Type TEYH	Type TEYL
		25kA @ 480 / 277 Vac	35kA @ 480 / 277 Vac	65kA @ 480 / 277 Vac
15	#14-#10	TEYD3015B	TEYH3015B	TEYL3015B
20	#14-#10	TEYD3020B	TEYH3020B	TEYL3020B
25	#10-#4	TEYD3025B	TEYH3025B	TEYL3025B
30	#10-#4	TEYD3030B	TEYH3030B	TEYL3030B
35	#10-#4	TEYD3035B	TEYH3035B	TEYL3035B
40	#10-#4	TEYD3040B	TEYH3040B	TEYL3040B
45	#10-#4	TEYD3045B	TEYH3045B	TEYL3045B
50	#10-#4	TEYD3050B	TEYH3050B	TEYL3050B
60	#10-#4	TEYD3060B	TEYH3060B	TEYL3060B
70	#4-1/0	TEYD3070B	TEYH3070B	TEYL3070B
80	#4-1/0	TEYD3080B	TEYH3080B	TEYL3080B
90	#4-1/0	TEYD3090B	TEYH3090B	TEYL3090B
100	#4-1/0	TEYD3100B	TEYH3100B	TEYL3100B
110	#3-3/0 Cu, #1-3/0 Al	TEYD3110B	TEYH3110B	TEYL3110B
125	#3-3/0 Cu, #1-3/0 Al	TEYD3125B	TEYH3125B	TEYL3125B

¹Solid or stranded for 14-10 AWG.

²Single-pole, 15 and 20 ampere breakers are also UL listed as switching duty breakers, suitable for switching 120, 240, or 277 Vac.

³UL listed HACR (Heating, Air Conditioning, Refrigeration).

⁴UL listed for HID (high intensity discharge), all 50A or less. ;

Industrial Circuit Breakers

15-125A

Thermal Magnetic Trip

Type TEYD/TEYH/TEYL

Noninterchangeable Trip

Bolt-on

480Y/277V Class

Internal Accessories for TEYD/TEYH/TEYL - Factory Installed Only

Description	Product Number
TEYD/H/L UV Release^{1,3}	
24 Vac	TEYXU1
48 Vac	TEYXU2
120 Vac	TEYXU3
240 Vac	TEYXU4
24 Vdc	TEYXU6
48 Vdc	TEYXU7
125 Vdc	TEYXU8
250 Vdc	TEYXU9
TEYD/H/L Shunt Trip¹	
24 Vac	TEYXS1
48 Vac	TEYXS2
120 Vac	TEYXS3
240 Vac	TEYXS4
24 Vdc	TEYXS6
48 Vdc	TEYXS7
125 Vdc	TEYXS8
250 Vdc	TEYXS9
TEYD/H/L Auxiliary Switch²	
LT Pole	TEYXASL
RT Pole	TEYXASR
Bell Alarm	
TEYD/H/L Bell Alarm - Form C ¹	TEYXBA1

¹Right hand mounting only.²Right or left hand mounting.³Only available in 3-pole circuit breaker.

External Accessories for TEYD/TEYH/TEYL

Description	Product Number
TEYD/H/L Mounting Base	
3-P 15-100A Mounting Base	TEY3B
3-P 110/125A Mounting Base	TEY3B125
TEYD/H/L Handle Tie	
TEYD/H/L 2-Pole Handle Tie	TEYXHT2
10-Pack TEYD/H/L 2-Pole Handle Tie (10 Pack)	TEYXHT2K
TEYD/H/L 3-Pole Handle Tie	TEYXHT3
10-Pack TEYD/H/L 3-Pole Handle Tie (10 Pack)	TEYXHT3K
TEYD/TEYH/TEYL Padlocking	
Padlock Device	TEYXPLD1

TEYD/TEYH/TEYL Reference Publications

Installation Instructions	DEH-41590
Mounting Base Installation Instructions	DEH-41556
1-Pole Circuit Breaker Outline Drawing	10106028SH1
3-Pole Circuit Breaker Outline Drawing	10106029SH1
2-Pole Circuit Breaker Outline Drawing	10106030SH1
TEY3B125 Mounting Base Outline Drawing	10110291SH1

Industrial Circuit Breakers

10-150A Circuit Breakers
 Thermal-Magnetic Trip
 E150 Line Circuit Breakers
 Types TEB, TED, THED
 Noninterchangeable Trip



Product Number Structure

TEB		1	1	1	015	WL
Family/Interruption Rating						Lugs
TEB = Core E / Low Tier						(blank) = Load Lugs
TED = Core E / Mid Tier						WL = Line & Load
THED = Core E / High Tier						
Frame Rating (Amperes)						Ampere Rating
1 = 150						010 to 150
Poles						Voltage Rating
1 = 1 pole						1 = 120V
2 = 2 poles						4 = 480V
3 = 3-poles						2 = 240V
						6 = 600V
						3 = 277V

Interruption Ratings shown on page 6-7

Note: This information is provided for interpreting product numbers (it should not be used to build product numbers).

Single Pole — Includes Cu/Al load lugs only. If line lugs are required, add suffix “WL” to Product Number.

Ampere Rating	Type TEB		Type TED		Type THED	
	120 Vac 125 Vdc	277 Vac 125 Vdc	347 Vac ¹	277 Vac	347 Vac ¹	
	Product Number	Product Number	Product Number	Product Number	Product Number	
10	TEB111010 ^{2,4}	TED113010 ^{2,4}	—	—	—	
15	TEB111015 ^{3,4}	TED113015 ^{3,4}	TED114015 ^{3,4}	THED113015 ⁴	THED114015 ^{3,4}	
20	TEB111020 ^{3,4}	TED113020 ^{3,4}	TED114020 ^{3,4}	THED113020 ⁴	THED114020 ^{3,4}	
25	TEB111025 ⁴	TED113025 ⁴	TED114025 ⁴	THED113025 ⁴	THED114025 ⁴	
30	TEB111030 ⁴	TED113030 ⁴	TED114030 ⁴	THED113030 ⁴	THED114030 ⁴	
35	TEB111035 ⁴	TED113035 ⁴	—	—	—	
40	TEB111040 ⁴	TED113040 ⁴	—	—	—	
45	TEB111045 ⁴	TED113045 ⁴	—	—	—	
50	TEB111050 ⁴	TED113050 ⁴	—	—	—	
60	TEB111060	TED113060	—	—	—	
70	TEB111070	TED113070	—	—	—	
80	TEB111080	TED113080	—	—	—	
90	TEB111090	TED113090	—	—	—	
100	TEB111100	TED113100	—	—	—	

Two Pole — Includes Cu/Al line and load lugs. For optional lugs, see page 6-174 and 6-175.

Ampere Rating	Type TEB		Type TED	Type THED, Hi-Break ⁵
	240 Vac, 250 Vdc		480 Vac, 250 Vdc	480 Vac, 250 Vdc
	Product Number		Product Number	Product Number
10	TEB122010WL ^{2,4}		TED124010WL ^{2,4}	—
15	TEB122015WL ⁴		TED124015WL ⁴	THED124015WL ⁴
20	TEB122020WL ⁴		TED124020WL ⁴	THED124020WL ⁴
25	TEB122025WLv		TED124025WL ⁴	THED124025WL ⁴
30	TEB122030WL ⁴		TED124030WL ⁴	THED124030WL ⁴
35	TEB122035WL ⁴		TED124035WL ⁴	THED124035WL ⁴
40	TEB122040WL ⁴		TED124040WL ⁴	THED124040WL ⁴
45	TEB122045WL ⁴		TED124045WL ⁴	THED124045WL ⁴
50	TEB122050WL ⁴		TED124050WL ⁴	THED124050WL ⁴
60	TEB122060WL		TED124060WL	THED124060WL
70	TEB122070WL		TED124070WL	THED124070WL
80	TEB122080WL		TED124080WL	THED124080WL
90	TEB122090WL		TED124090WL	THED124090WL
100	TEB122100WL		TED124100WL	THED124100WL
110	—		TED124110WL	—
125	—		TED124125WL	—
150	—		TED124150WL	—

¹Suitable for 10 kAIC at 480 Vac, but not labeled or UL listed.

²Not UL listed, rated 5kA @ 120V, 240V and 480V.

³Single-pole, 15- and 20-ampere breakers are also UL listed as switching duty breakers, suitable for switching 120 Vac (TEB), 277, 347 Vac (TED, THED) fluorescent lighting loads.

⁴UL listed for HID (high intensity discharge).

⁵Two-pole breaker is furnished in three-pole case.

Notes: All TEB, TED, THED breakers UL listed as HACR type except 10 ampere. All TEB, TED, THED breakers suitable for reverse feed. 60/75°C rating through 100 amperes, 75°C rating above 100 amperes.

Industrial Circuit Breakers

10-150A Circuit Breakers

Thermal-Magnetic Trip

E150 Line Circuit Breakers

Types TEB, TED, THED

Noninterchangeable Trip

Three Pole — Includes Cu/Al line and load lugs. For optional lugs, see page 6-174 and 6-175.

Ampere Rating	Type TEB	Type TED		Type THED, Hi-Break
	240 Vac	480 Vac	600 Vac	600 Vac
	Product Number	Product Number	Product Number	Product Number
10	TEB132010WL ^{1,3}	TED134010WL ^{1,3}	–	–
15	TEB132015WL ³	TED134015WL ³	–	–
20	TEB132020WL ³	TED134020WL ³	TED136020WL ³	THED136020WL ³
25	TEB132025WL ³	TED134025WL ³	TED136025WL ³	THED136025WL ³
30	TEB132030WL ³	TED134030WL ³	TED136030WL ³	THED136030WL ³
35	TEB132035WL ³	TED134035WL ³	TED136035WL ³	THED136035WL ³
40	TEB132040WL ³	TED134040WL ³	TED136040WL ³	THED136040WL ³
45	TEB132045WL ³	TED134045WL ³	TED136045WL ³	THED136045WL ³
50	TEB132050WL ³	TED134050WL ³	TED136050WL ³	THED136050WL ³
60	TEB132060WL	TED134060WL	TED136060WL	–
70	TEB132070WL	TED134070WL	TED136070WL	THED136070WL
80	TEB132080WL	TED134080WL	TED136080WL	–
90	TEB132090WL	TED134090WL	TED136090WL	THED136090WL
100	TEB132100WL	TED134100WL	TED136100WL	THED136100WL
110	–	TED134110WL	TED136110WL	THED136110WL
125	–	TED134125WL	TED136125WL	THED136125WL
150	–	TED134150WL	TED136150WL	THED136150WL
100NA	–	TED134YT100 ²	TED136YT100 ²	–
150NA	–	TED134YT150 ²	TED136YT150 ²	–

¹Not UL listed, rated 5kA @ 120V, 240V and 480V.

²Includes factory-installed dummy trip.

³UL listed for HID (high intensity discharge).

Notes: All TEB, TED, THED breakers UL listed as HACR type except 10 ampere.

All TEB, TED, THED breakers suitable for reverse feed.

60/75°C rating through 100 amperes, 75°C rating above 100 amperes.

Accessories: See pages 6-170 to 6-175.

Add-on Current Limiter — UL Listed 100 kAIC at 480 and 600 VAC⁴

Ampere Rating	Product Number
15	TEDL36015
20	TEDL36020
30 and 60	TEDL36060
100	TEDL36100

⁴For use with 3 Pole TED/THED only

E150 Reference Publications

TDR Operating Mechanism	GEH-2994
Shunt Trip	GEH-3416
Undervoltage Release	GEH-3417
Auxiliary Switch	GEH-3418
Three Coil Shunt Trip	GEH-3434
Mechanical Interlock	GEH-4310
TDM Operating Mechanism	GEH-4335
Bell Alarm	GEH-4576
Plug-in Mounting Base	GEH-4610
STDA Flange Handle	GEH-5314
STDA Operating Mechanism	GEH-5684
Cable Operator Mechanism	GEH-6290
Motor Operator	GEH-6500
Back Connected Studs	GEJ-3609
Padlocking Device - Standard	GEJ-5143
E150 Outline Drawing	139C3643SH1, 2, 4

Internal Accessories

Molded Case Circuit Breakers

Accessory Devices and Ratings

Internally mounted accessories can be either factory or field installed, but should be factory installed when UL listing is required.

Factory installed devices with leads exiting from the side are UL listed, but when leads exit from the back the UL listing is void.

For accessory installation combinations refer to table below.

“Mounting Pole” refers to left-, center- or right-hand pole as seen when facing the front of the breaker. Control leads may exit the breaker from its side (S) or back (B)¹.

Nonautomatic circuit breakers (molded case switches) require dummy trip units if internal accessories are to be field installed (refer to page 6-68).



J Frame Circuit Breaker with Internal Accessories Mounted in Each Pole

- Pole Positions**
 L—Left
 C—Center
 R—Right
- Lead Wire Exit**
 S—Side
 B—Back

Breaker Type	Bell Alarm Switch			Inst. Sheet GEH-	Auxiliary Switch ² or Shunt Trip			Undervoltage Release			Three Coil Shunt Trip			Total Number of Accessories Within any One Circuit Breaker		
	Mounting Pole				Mounting Pole		Inst. Sheet GEH-	Mounting Pole		Inst. Sheet GEH-	Mounting Pole		Inst. Sheet GEH-			
	L	C	R	L	R	L		R	L		R					
TQB, THQB, THHQB, TXQB, TQL, THQL, THHQL, TXQL, TQC, THQC, THHQC, TXQC	-	-	-	-	UL	-	³	-	-	-	-	-	-	One accessory only. Mounts in a one-inch frame and increase overall breaker size by one pole. May be applied to 1-, 2-, or 3-pole breakers.		
E150 TEB, TEC, TED, THED, THLC1	UL ⁴	-	UL	4576	UL ⁴	UL	3418 Aux 3416 S.T.	-	UL	3417	-	UL ⁵	3434	2-pole circuit breaker—any one 3-pole circuit breaker—any two except UVR and 3-coil shunt trip		
F225 ⁶ , THLC2, THLC4, TLB2, TLB4	-	-	UL	4620	UL	UL	4653	UL	UL	4653	UL ⁵	UL	4622	any two		
K1200	-	UL ⁵	-	4305	UL	UL	3321 Aux 3344 S.T.	-	UL	5408	UL ⁵	-	3346	Any two plus bell alarm		
Accessory-Lead Color Coding ⁷	<p>Bell Alarm Switch</p>			<p>Auxiliary Switch</p>			<p>Shunt Trip</p>			<p>Undervoltage Release</p>			<p>Three-Coil Shunt Trip</p>			All accessory contacts shown with the circuit breaker in tripped position.

¹F225 line model 4 frames and trips (mfg. code date J101+ (1981 or later), and THLC2, THLC4, TLB4 are UL listed for field installation of most accessories.

²600 Vac auxiliary switches are not UL listed.

³Accessories are factory installed only.

⁴Left pole mounting available for two-pole THED but not for two-pole TEB, TED.

⁵Not available with lead exit from the back of breaker.

⁶UL listed interrupting capacity with accessories: 10 kAIC at 600 Vac, 22 kAIC at 480 Vac, 22 kAIC at 240 Vac.

⁷Leads are #18 125°C Vulkene insulated.

Internal Accessories

Internally Mounted Signaling and Controlling Functions

Auxiliary Switches

Unless otherwise noted switch is SPDT rated 6 amperes at rated ac voltage, 1/2 amperes at 125 Vdc, 1/4 amperes at 250 Vdc.

Breaker Type	Number of SPDT Switch Elements	Control Voltage 240 Vac, 250 Vdc Maximum UL Listed When Factory Installed Suffix ¹		Control Voltage 600 Vac, 250 Vdc Maximum Not UL Listed Suffix ¹	
		Base Number	Add to Base Product Number for Factory Installation ⁴	Base Number	Add to Base Product Number for Factory Installation ⁴
TEB, TEC, TB1	1	TEDAS2AB1R,L ^{2,3}	S	TEDAS6AB1R,L ^{2,3}	S
TED, THED, THLC1 ³	2	TEDAS2AB2R,L ^{2,3}	S	TEDAS6AB2R,L ^{2,3}	S

¹"S" suffix for wires out the side of breaker. For lead exit from back of breaker, replace suffix "S" with "B" and multiply list price by 1.25. "B" suffix not UL listed.

Not available with leads out the back for "Q-Line", or 2 element auxiliary switches used on TFG, TFJ, TFK, THFK, THLC2, THLC4, TLB2, and TLB4.

²Auxiliary switch mounts in right pole only on two-pole TEB, TED breakers. (Factory installed only.)

³Not available with "B" suffix-leads out back.

⁴For factory installation, contact Customer Service Center.

Internal Accessories

Internally Mounted Signaling and Controlling Functions

How to Order

For field replacement, order base number only. For factory installation, contact Customer Service Center and order base number plus appropriate suffix. For a nonautomatic breaker (molded case switch) a dummy trip is required when installing either a shunt trip or UVR.

Shunt Trip

Remote Tripping – Trips breaker by remote control. Trip coil de-energized when breaker opens. Device meets UL requirements for service to ground fault system.

Undervoltage Release

Undervoltage release automatically trips breaker when applied coil voltage drops to 30 to 70 percent of rated value. Time-delay unit prevent nuisance tripping due to momentary loss of voltage. Separate externally mounted unit has 120 Vac input and 125 Vdc output. Used in conjunction with 125 Vdc undervoltage release which must be ordered separately. Product number SPUVTD for adjustable delay .1 to 1.0 seconds.

Shunt Trip

Breaker Type	Accessory Voltage		Product Number ^{1,2} — UL Listed When Factory Installed	
	Vac	Vdc	Base Number for Field Replacement	Suffix Number ³ Add to Base Product Number for Factory Installation
TQB, THQB, THHQB, TXQB, TQL, THQL, THHQL, TXQL	120-240	–	TQSTA1 ^{4,5,6,7}	⁸
	–	12	TQSTA7 ^{4,6,7}	⁸
	–	24-48	TQSTA8 ^{4,6,7}	⁸
TEB, TEC, TB1-B, TED, THED, THLC1	120	–	TEDST12	RS
	240	–	TEDST12	RS
	480	–	TEDST13	RS
	600	–	TEDST13	RS
	–	12	TEDST7	RS
	–	24	TEDST8	RS
	–	48	TEDST9	RS
	–	125	TEDST12	RS
–	250	TEDST11	RS	

²For replacement voltage suppressor on 120 Vac UVRs for F225 line, order Product Number 286A8062G1. for 120 Vac UVRs on all other breaker lines, order Product Number 192A8300G1.

³"S" suffix for wires out the side of the breaker. For lead exit from back of breaker, replace suffix "S" with "B", and multiply "S" accessory List Price by 1.25. "B" suffix not UL listed. Not available with leads out the back on "Q-Line." For factory installation, contact Customer Service Center.

⁴Mounts on a one-inch frame and increases overall breaker size by one pole added to left side. May be applied to 1-, 2-, or 3-pole breakers. Maximum total breaker width is 4-pole. Must be factory installed.

⁵A selective listing of breaker product numbers that include 120 Volt ac shunt trip appears on page 6-33.

⁶Not available on GFCI (5 ma) or Equipment Ground Fault (30 ma) breakers.

⁷TQST shunt trips not available on breakers over 100 A.

⁸To order, specify both the accessory and breaker product number =, e.g. THQL2130, TQST1 identifies a 30 A, 2-pole plug-in breaker with a factory installed 120 Vac shunt trip.

Internal Accessories

Internally Mounted Signaling and Controlling Functions

Undervoltage Release

Breaker Type	Accessory Voltage		Product Number ^{1,2} — UL Listed When Factory Installed	
	Vac	Vdc	Base Number for Field Replacement	Suffix Number ³ Add to Base Product Number for Factory Installation
TEB, TEC, TB1-B ⁴ TED, THED, THLC1	120	–	TEDUV1	RS
	240	–	TEDUV2	RS
	480	–	TEDUV4	RS
	600	–	TEDUV6	RS
	–	12	TEDUV7	RS
	–	24	TEDUV8	RS
	–	48	TEDUV9	RS
	–	125	TEDUV10	RS
	–	250	TEDUV11	RS

¹UL listed for field installation on TFC, TFJ, TFK, and THFK model 4 frames and trips (mfg. Code date J101 or later) and on THLC2, THLC4, TLB4.

²For replacement voltage suppressor on 120 Vac UVRs for F225 line, order Product Number 286A8062G1 for 120 Vac UVRs on all other breaker lines, order Product Number 192A8300G1.

³"S" suffix for wires out the side of the breaker. For lead exit from back of breaker, replace suffix "S" with "B". "B" suffix not UL listed. For factory installation, contact Customer Service Center.

⁴For TB1 with bolt-on limiters.

Internal Accessories

Internally Mounted Signaling and Controlling Functions

Bell Alarm Switches

Breaker Type	Product Number ² UL Listed When Factory Installed	
	Base No.	Suffix
TEB, TEC, TB1 TED, THED, THLC1	TEDBAR or TEDBAL ^{3,4}	S

Blown Fuse Detector-Three-Coil Shunt Trip

Breaker Type	Product Number ² UL Listed When Factory Installed	
	Base No.	Suffix
TED, THED, TEC ³	TEDST316	RS

Breaker Type	Product Number
E150	Internal accessories for these noninterchangeable breakers require factory-installed dummy trips. Automatically supplied when accessories are ordered.

¹Not UL listed when field installed.

²Add "B" suffix for leads exit from back of breaker. For factory installation, contact Customer Service Center.

³Not available with "B" suffix – leads out back.

⁴Not available for two-pole TEB, TED. Order TEDBAR.

Tmax XT1-XT7

U.S. Ordering Code construction

See pages 6-70 to 6-73 for remaining descriptions



1 & 2: Version

XT

3: Frame

1
2
3
4
5
6
7

4: Interrupting ratings – 480 V AC¹

Digits	XT1	XT2	XT3	XT4	XT5	XT6	XT7
N	25	25	25	25	35	35	-
S	35	35	35	35	50	50	50
H	65	65	-	65	65	65	65
L	-	100	-	100	100	-	100
V	-	150	-	150	150	-	-
X	-	200	-	200	200	-	-

¹For 240 V AC and 600 V AC ratings, refer to Tmax XT UL Technical Catalog.

5: Standard UL & IEC

U = UL 80%
Q = UL 100%
B = UL 80% with BABA (XT2/XT4/XT5/XT7 only)
T = UL 100% with BABA (XT2/XT4/XT5/XT7 only)
C = UL 80% + CCC
D = UL 100% + CCC
E = IEC only
5 = IEC 50°C

6: Number of poles

2 = 2 Poles
3 = 3-poles
4 = 4 P 100%
N = 4P 50% (IEC only)

10: Trip unit

A = TMF/TMD
B = TMA
C = Ekip DIP LIG
D = MCS
E = Ekip DIP LS/I
F = EKIP DIP LSI (XT5, XT6 & XT7)
G = EKIP DIP LSIG (XT5, XT6 & XT7)
J = Ekip M DIP I (XT2, XT4)
K = Ekip M DIP I (XT5, XT6, XT7)
L = Ekip DIP M-LIU
M = MA (MCP)
N = TMG
P = Ekip Touch LSI
Q = Ekip Touch LSIG
R = Ekip Touch Measuring LSI
S = Ekip Touch Measuring LSIG
T = Ekip Hi-Touch LSI
U = Ekip Hi-Touch LSIG
W = Ekip M Touch LRIU
X = Ekip G Dip LS/I
Y = Ekip G Touch LSIG
Z = Ekip G Hi-Touch LSIG
1 = EKIP DIP LSI (XT2 & XT4)
2 = EKIP DIP LSIG (XT2 & XT4)

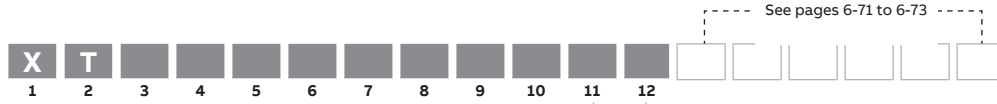
7, 8, 9: Amp frame

XT1-4		XT5-7	
Digits	Amps	Digits	Amps
010	= 10 A	25A	= 250 A (XT5)
015	= 15 A	30A	= 300 A (XT5)
020	= 20 A	32A	= 320 A (XT5 IEC ²)
025	= 25 A	40A	= 400 A (XT5)
030	= 30 A	50B	= 500 A (XT5)
035	= 35 A	60B	= 600 A (XT5)
040	= 40 A	600	= 600 A (XT6)
045	= 45 A	60C	= 600 A (XT7)
050	= 50 A	63B	= 630 A (XT5 IEC ²)
060	= 60 A	630	= 630 A (XT6 IEC ²)
070	= 70 A	800	= 800 A (XT6)
080	= 80 A	80C	= 800 A (XT7)
090	= 90 A	1K0	= 1000 A (XT6 IEC ²)
100	= 100 A	10D	= 1000 A (XT7)
110	= 110 A	12E	= 1200 A/1250 A (XT7)
125	= 125 A	16F	= 1600 A (XT7 IEC ²)
150	= 150 A		
175	= 175 A		
200	= 200 A		
225	= 225 A		
250	= 250 A		

²IEC only.

Tmax XT1-XT7

U.S. Ordering Code construction



11: Line side termination (top)

F = F front terminals, no lugs installed
A = FC Cu Terminals for Cu cables (saddle clamps)
B = FC CuAl Terminals for CuAl cables, 14-1/0 AWG, 110 A-125 (XT1, XT2)
C = FC CuAl Terminals for CuAl cables, 14-1/0 AWG, 110 A, control tap included (XT2)
D = KIT FC CuAl 10-2/0 AWG (XT1, XT2)
E = KIT FC CuAl 10-2/0 AWG control tap included (XT1, XT2)
G = FC CuAl Terminals for CuAl cables, 14-1/0 AWG, 100 A (XT3, XT4)
H = FC CuAl Terminals for CuAl cables, 14-1/0 AWG, 100 A, control tap included (XT3, XT4)
J = KIT FC CuAl 4 AWG-300 kcmil, 225A (XT3, XT4)
K = FC CuAl Terminals for CuAl cables, 4 AWG-300 kcmil, 225 A, control tap included (XT3, XT4)
L = FC CuAl Terminals for CuAl Cables, 3/0 AWG-350 kcmil, 250 A (XT4)
M = FC CuAl Terminals for CuAl Cables, 3/0 AWG-350 kcmil, 250 A, control tap included (XT4)
Z = MC Multi-cable terminals for Cu (6x14-2 AWG)
1 = EF Extended front terminals
2 = ES Extended spread terminals
3 = FB Terminals for flexible busbar
4 = R Rear terminals
6 = Plug-in kit (must also use 6 for load side)
7 = Withdrawable kit (must also use 7 for the load side) (XT2, XT4)
8 = FC CuAl 1x4/0 AWG-500 kcmil (XT5)
9 = FCCuAl 1x6 AWG-350 kcmil (XT5)
N = FC CuAl 2x2/0 AWG-500 kcmil (XT5)
P = KIT FCCuAl 1x500 kcmil control tap included (XT5)
Q = KIT FCCuAl 1x350 kcmil control tap included (XT5)
R = KIT FCCuAl 2x500 kcmil control tap included (XT5, XT6)
S = KIT FCCuAl 500-750 kcmil (XT5)
O = KIT FCCuAl 500-750 kcmil control tap included (XT5)
T = FC CuAl 2x250-500 kcmil (XT6)
U = FC CuAl 3x2/0 AWG-400 kcmil (XT6)
V = FC CuAl 3x400 kcmil control tap included (XT6)
W = FC CuAl 4x4/0 AWG-500 kcmil
X = FC CuAl 3x500-750 kcmil
Y = LSC for ReliaGear NeXT power panelboard

12: Load side termination (bottom)

F = F front terminals, no lugs installed
A = FC Cu Terminals for Cu cables (saddle clamps)
B = FC CuAl Terminals for CuAl cables, 14-1/0 AWG, 110 A-125 (XT1, XT2)
C = FC CuAl Terminals for CuAl cables, 14-1/0 AWG, 110 A, control tap included (XT2)
D = KIT FC CuAl 10-2/0 AWG (XT1, XT2)
E = KIT FC CuAl 10-2/0 AWG control tap included (XT1, XT2)
G = FC CuAl Terminals for CuAl cables, 14-1/0 AWG, 100 A (XT3, XT4)
H = FC CuAl Terminals for CuAl cables, 14-1/0 AWG, 100 A, control tap included (XT3, XT4)
J = KIT FC CuAl 4 AWG-300 kcmil, 225A (XT3, XT4)
K = FC CuAl Terminals for CuAl cables, 4 AWG-300 kcmil, 225 A, control tap included (XT3, XT4)
L = FC CuAl Terminals for CuAl Cables, 3/0 AWG-350 kcmil, 250 A (XT4)
M = FC CuAl Terminals for CuAl Cables, 3/0 AWG-350 kcmil, 250 A, control tap included (XT4)
Z = MC Multi-cable terminals for Cu (6x14-2 AWG)
1 = EF Extended front terminals
2 = ES Extended spread terminals
3 = FB Terminals for flexible busbar
4 = R Rear terminals
6 = Plug-in kit (must also use 6 for load side)
7 = Withdrawable kit (must also use 7 for the line side) (XT2, XT4)
8 = FC CuAl 1x250-500 kcmil (XT5)
9 = FC CuAl 1x6 AWG-350 kcmil (XT5)
N = FC CuAl 2x2/0 AWG-500 kcmil (XT5)
P = KIT FCCuAl 1x500 kcmil control tap included (XT5)
Q = KIT FCCuAl 1x350 kcmil control tap included (XT5)
R = KIT FCCuAl 2x500 kcmil control tap included (XT5, XT6)
S = KIT FCCuAl 500-750 kcmil (XT5)
O = KIT FCCuAl 500-750 kcmil control tap included (XT5)
T = FC CuAl 2x250-500 kcmil (XT6)
U = FC CuAl 3x2/0 AWG-400 kcmil (XT6)
V = FC CuAl 3x400 kcmil control tap included (XT6)
W = FC CuAl 4x4/0 AWG-500 kcmil
X = FC CuAl 3x500-750 kcmil

Tmax XT1-XT7

U.S. Ordering Code construction (cont.)



13 & 14: Internal accessories

00	None
Shunt trip, open	
A0	= (SOR-C) 12 V DC (XT1-XT4)
B0	= (SOR-C) 24-30 V AC/DC (XT1-XT4)
C0	= (SOR-C) 48-60 V AC/DC (XT1-XT4)
D0	= (SOR-C) 110-127 V AC/110-125 V DC (XT1-XT4)
E0	= (SOR-C) 220-240 V AC/220-250 V DC (XT1-XT4)
F0	= (SOR-C) 380-440 V AC (XT1-XT4)
G0	= (SOR-C) 480-525 V AC (XT1-XT4)
A0	= (YO-C) 12 V DC (XT5, XT6)
B0	= (YO-C) 24-60 V AC/DC (XT5, XT6)
D0	= (YO-C) 110-240 V AC, 110-250 V DC (XT5, XT6)
F0	= (YO-C) 380-440 V AC (XT5, XT6)
G0	= (YO-C) 480-525 V AC (XT5, XT6)
A0	= (YO) 24 V AC/DC (XT7)
B0	= (YO) 48 V AC/DC (XT7)
C0	= (YO) 60 V AC/DC (XT7)
D0	= (YO) 110-120 V AC/DC (XT7)
E0	= (YO) 120-127 V AC/DC (XT7)
F0	= (YO) 220-240 V AC/DC (XT7)
G0	= (YO) 240-250 V AC/DC (XT7)
H0	= (YO) 380-400 V AC (XT7)
I0	= (YO) 415-440 V AC (XT7)
J0	= (YO) 480-500 V AC (XT7)
Undervoltage release	
10	= (UVR-C) 24-30 V AC/DC (XT1-XT4)
20	= (UVR-C) 48 V AC/DC (XT1-XT4)
30	= (UVR-C) 60 V AC/DC (XT1-XT4)
40	= (UVR-C) 110-127 V AC 110-125 V DC (XT1-XT4)
50	= (UVR-C) 220-240 V AC 220-250 V DC (XT1-XT4)
60	= (UVR-C) 380-440 V AC (XT1-XT4)
70	= (UVR-C) 480-525 V AC (XT1-XT4)
80	= (YU-C) 12 V DC (XT5, XT6)
10	= (YU-C) 24-30 V AC/DC (XT5, XT6)
20	= (YU-C) 48-60 V AC/DC (XT5, XT6)
40	= (YU-C) 110-127 V AC 110-125 V DC (XT5, XT6)
50	= (YU-C) 220-240 V AC 220-250 V DC (XT5, XT6)
60	= (YU-C) 380-440 V AC (XT5, XT6)
70	= (YU-C) 480-525 V AC (XT5, XT6)
10	= (YU) 24 V AC/DC (XT7)
20	= (YU) 48 V AC/DC (XT7)
30	= (YU) 60 V AC/DC (XT7)
40	= (YU) 110-120 V AC/DC (XT7)
K0	= (YU) 120-127 V AC/DC (XT7)
50	= (YU) 220-240 V AC/DC (XT7)
80	= (YU) 240-250 V AC/DC (XT7)
60	= (YU) 380-400 V AC (XT7)
90	= (YU) 415-440 V AC (XT7)
70	= (YU) 480-500 V AC (XT7)

Signaling

C0	= EKIP signaling 1K-1 (XT5)
E0	= EKIP maintenance module (XT5)
L0	= Ekip supply 24-48 V DC (XT7)
M0	= Ekip supply 110-240 V AC/DC (XT7)
N0	= 1 x Ekip signaling 2k-1 + supply 24-48 V DC (XT7)
P0	= 1 x Ekip signaling 2k-1 + supply 110-240 V AC/DC (XT7)
Q0	= 2 x Ekip signaling 2k-1 + supply 24-48 V DC (XT7)
R0	= 2 x Ekip signaling 2k-1 + supply 110-240 V AC/DC (XT7)
S0	= 1 x Ekip signaling 3T-1 + supply 24-48 V DC (XT7)
T0	= 1 x Ekip signaling 3T-1 + supply 110-240 V AC/DC (XT7)
U0	= 2 x Ekip signaling 3T-1 + supply 24-48 V DC (XT7)
V0	= 2 x Ekip signaling 3T-1 + supply 110-240 V AC/DC (XT7)
W0	= Ekip CI + supply 24-48 V DC (XT7)
X0	= Ekip CI + supply 110-240 V AC/DC (XT7)
Auxiliary contacts	
0A	= AUX-C 1Q+1S5 250 V AC/DC (XT1-XT6)
0B	= AUX-C 2Q+1S5 250 V AC/DC (XT1-XT6)
0C	= AUX-C 3Q+1S5 250 V AC/DC (XT2-XT6)
0D	= AUX-C 3Q+2S5 250 V AC/DC (XT2, XT4)
0E	= AUX-C 2Q+2S5+1 S51 250 V AC/DC (XT2, XT4)
0F	= AUX-C 1 S51 250 V AC/DC (XT2, XT4, XT5, XT6)
0G	= AUX-C 1Q+1S5 24 V DC (XT1-XT6)
0H	= AUX-C 3Q+1S5 24 V DC (XT2-XT6)
0J	= AUX-C 1 S51 24 V DC (XT2, XT4, XT5, XT6)
0K	= AUX-C 1Q+1S5 400 V AC (XT2, XT4, XT5)
0L	= AUX-C 2Q 400 V AC (XT2, XT4, XT5)
Z0	= AUX-C 3Q L 250 V AC (XT1-XT4)
0I	= AUX-C 1Q + 1SY L 250 V AC/DC (XT5)
0M	= AUX-C 1Q + 1SY L 24 V DC (XT5)
0N	= AUX-C 1S52 250 V AC/DC (XT5, XT6)
0P	= AUX-C 1S52 24 V DC (XT5, XT6)
0A	= AUX 4Q 400 V AC (XT7)
0B	= AUX 4Q 24 V DC (XT7)
0C	= AUX 2Q 400 V AC + 2Q 24 V DC (XT7)
0D	= AUX 1S52 24 V DC (XT7)
0E	= AUX 1S52 250 V AC (XT7)
0F	= AUX 1SY 24 V DC (XT7)
0G	= AUX 1SY 400 V AC (XT7)
0H	= S51 250 V AC (XT7)
0I	= S51 24 V DC (XT7)

Ekip COMs

01	= Ethernet (XT2, XT4, XT5)
02	= Hub (XT2, XT4, XT5)
03	= IEC61850 (XT2, XT4, XT5)
04	= Modbus RTU/STA Modbus RTU (XT2, XT4, XT5)
05	= Modbus TCP/STA Modbus TCP (XT2, XT4, XT5)
04	= STA Modbus RTU (XT2, XT4, XT5)
05	= STA Modbus TCP (XT2, XT4, XT5)
06	= Profinet (XT2, XT4, XT5)
07	= Ekip Link (XT2, XT4, XT5)
08	= OPC UA (XT5)
09	= Open ADR (XT5)
Y0	= Modbus RTU + supply 24-48 V DC (XT7)
Z0	= Modbus TCP + supply 24-48 V DC (XT7)
0J	= Profibus + supply 24-48 V DC (XT7)
0K	= Profinet + supply 24-48 V DC (XT7)
0L	= Devicenet + supply 24-48 V DC (XT7)
0M	= Ethernet/IP + supply 24-48 V DC (XT7)
0N	= IEC61850 + supply 24-48 V DC (XT7)
0P	= Ekip Link + supply 24-48 V DC (XT7)
0Q	= Hub + supply 24-48 V DC (XT7)
0R	= Modbus RTU + supply 110-240 V AC/DC (XT7)
0S	= Modbus TCP + supply 110-240 V AC/DC (XT7)
0T	= Profibus + supply 110-240 V AC/DC (XT7)
0U	= Profinet + supply 110-240 V AC/DC (XT7)
0V	= Devicenet + supply 110-240 V AC/DC (XT7)
0W	= Ethernet/IP + supply 110-240 V AC/DC (XT7)
0X	= IEC61850 + supply 110-240 V AC/DC (XT7)
0Y	= Ekip Link + supply 110-240 V AC/DC (XT7)
0Z	= Hub + supply 110-240 V AC/DC (XT7)
03	= Ekip Syncrocheck + supply 24-48 V DC (XT7)
09	= Ekip Syncrocheck + supply 110-240 V AC/DC (XT7)

Note: Additional combination available through the Tmax XT configurator.
 1) An XT7 frame includes a 24-48 V DC Ekip power supply.
 * Under development

Tmax XT1-XT7

U.S. Ordering Code construction (cont.)

See pages 6-69 to 6-70 for descriptions



16: Key locks & Service entrance barriers

X = None
A = Ronis key lock, open position – A type
B = Ronis key lock, open position – B type
C = Ronis key lock, open position – C type
D = Ronis key lock, open position – D type
E = Ronis key lock, open position – different keys
F = Ronis key lock, open/closed – different keys (not available for motors)
G = KLC-A key lock open kirk (XT5 - XT7)
H = KLC-A key lock open Ronis 1104 (XT5 - XT7)
J = KLC-A key lock open STI (XT5 - XT7)
K = KLC-A Castell key lock open (XT5 - XT7)
L = Service entrance barrier
M = Service entrance barrier + Ronis key lock, open position - A type
N = Service entrance barrier + Ronis key lock, open position - different keys
P = Service entrance barrier + KLC-A key lock open kirk (XT5 - XT7)
Q = Service entrance barrier + KLC-A Castell key lock open (XT5 - XT7)

17: Advanced functionality

X = None
A = Class 1 power & energy metering
G = Measuring
H = Voltages protection
J = Frequency protection
K = Power protection
L = Adaptive protection
M = Datalogger
N = Network analyzer
P = Voltages protection advanced
Q = ROCOF protection
R = EKIP power controller
S = ATS main-tie-main closed license
T = ATS main-tie-main open license
U = ATS main-main closed license
V = ATS main-main open license
W = Synchro reclosing
X = IPS – Interface protection system
Y = Load shedding – predictive
Z = Load shedding – adaptive

18: Additional certifications

X = None
E = Test certificate provided (in English)
F = Test certificate provided (in French)
S = Test certificate provided (in Spanish)
4 = Extended warranty, 4 years
5 = Extended warranty, 5 years
D = Bluetooth Disabled

15: Front accessories & ReliaGear neXT brackets

0 = None	T = RHE Variable depth mechanism emergency + early aux contact, opening
A = Motor operator 24 V DC	U = RHD Standard direct handle + early aux contact, closing
B = Motor operator 48–60 V DC	V = RHD Emergency direct handle + early aux contact, closing
C = Motor operator 110–125 V AC/DC	W = RHE Variable depth mechanism, standard + early aux contact, closing
D = Motor operator 220–250 V AC/DC	X = RHE Variable depth mechanism emergency + early aux contact, closing
E = Motor operator 380–440 V AC	Z = RHE Variable depth mechanism, emergency
F = Motor operator 480–525 V AC	9 = RHE Variable depth mechanism + 2 PLL
G = PLL Fixed padlock device in open/closed position	1 = Motor operator for use with Modbus 24 V DC – MOE-E fast opening
H = PLL Fixed padlock device in open position	2 = Motor operator for use with Modbus 48–60 V DC – MOE-E fast opening
J = PLL Removable padlock device in open position (XT1, XT3, XT5, XT6)	3 = Motor operator for use with Modbus 110–125 V AC/DC – MOE-E fast opening
K = FLD Front for locking operating lever mechanism (XT2, XT4)	4 = Motor operator for use with Modbus 220–250 V AC/DC – MOE-E fast opening
L = RHD Standard direct handle	5 = Motor operator for use with Modbus 380–440 V AC – MOE-E fast opening
M = RHD Emergency direct handle	6 = Motor operator for use with Modbus 480–525 V AC – MOE-E fast opening
Y = RHD Standard direct handle + 2 PLL	J = PLL XT7 Metallic Padlock device in open position
N = RHE Variable depth mechanism, standard	7 = ReliaGear neXT Vertical Main Bracket (XT5, XT7)
P = RHE Variable depth mechanism emergency + 2 PLL	8 = ReliaGear neXT Vertical Main Bracket + PLL Fixed padlock device in open/closed position (XT5, XT7)
Q = RHD Normal direct handle + early Aux contact, opening	
R = RHD Emergency direct handle + early Aux contact, opening	
S = RHE Variable depth mechanism, standard + early aux contact, opening	

Tmax XT7M

U.S. Ordering Code construction

See page 6-75 for remaining descriptions



1: Version

XT7M

2: Interrupting ratings ¹

	S	H	L
UL kA @ 480V	50	65	100

¹For 240 V AC and 600 V AC ratings, refer to Tmax XT UL Technical Catalog.

3: Standard

- U = UL 80%
- Q = UL 100%
- B = UL 80% with BABA (XT2/XT4/XT5/XT7 only)
- T = UL 100% with BABA (XT2/XT4/XT5/XT7 only)
- E = IEC only

4: Amp frame

Digits	Amps
A (UL only)	= 600 A – 3-poles
B (UL only)	= 600 A – 4-poles
C	= 800 A – 3-poles
D	= 800 A – 4-poles
E	= 1000 A – 3-poles
F	= 1000 A – 4-poles
G	= 1200 A – 3-poles
H	= 1200 A – 4-poles
J (IEC only)	= 1250 A – 3-poles
K (IEC only)	= 1250 A – 4-poles
L (IEC only)	= 1600 A – 3-poles
M (IEC only)	= 1600 A – 4-poles

5: Trip unit

- A = Ekip LS/I
- B = Ekip LIG
- C = Ekip LSI
- D = Ekip LSIG
- E = Ekip TOUCH LSI
- F = Ekip TOUCH LSIG
- G = Ekip TOUCH Measuring LSI
- H = Ekip TOUCH Measuring LSIG
- J = Ekip Hi-Touch LSI
- L = Ekip Hi-Touch LSIG
- M = Ekip M I
- N = Ekip M TOUCH LRIU
- P = Ekip G LS/I
- Q = Ekip G Touch LSIG
- R = Ekip G Hi-Touch LSIG
- S = MCS

6: Terminals (top + bottom)

- A = EF + F
- B = EF + FC CuAl 4x4/0 AWG–500 kcmil
- C = EF + FC CuAl 3x500–750 kcmil
- D = F + EF
- E = EF + EF
- F = F + F
- G = F + VR
- H = HR + HR
- J = F + HR
- K = HR + VR
- L = VR + HR
- M = F + FC CuAl 4x4/0 AWG–500 kcmil
- N = F + FC CuAl 3x500–750 kcmil
- P = HR + FC CuAl 4x4/0 AWG–500 kcmil
- Q = HR + FC CuAl 3x500–750 kcmil
- R = VR + FC CuAl 4x4/0 AWG–500 kcmil
- S = ES + ES
- T = ES + FC CuAl 4x4/0 AWG–500 kcmil
- U = ES + FC CuAl 3x500–750 kcmil
- V = VR + VR
- W = Withdrawable KIT
- X = VR + FC CuAl 3x500–750 kcmil
- Y = FC CuAl 4x4/0 AWG–500 kcmil + EF
- Z = FC CuAl 4x4/0 AWG–500 kcmil + ES
- 0 = FC CuAl 4x4/0 AWG–500 kcmil + F
- 1 = FC CuAl 4x4/0 AWG–500 kcmil + HR
- 2 = FC CuAl 4x4/0 AWG–500 kcmil + VR
- 3 = FC CuAl 3x500–750 kcmil + EF
- 4 = FC CuAl 3x500–750 kcmil + ES
- 5 = FC CuAl 4x4/0 AWG–500 kcmil + FC CuAl 4x4/0 AWG–500 kcmil
- 6 = FC CuAl 3x500–750 kcmil + F
- 7 = FC CuAl 3x500–750 kcmil + FC CuAl 3x500–750 kcmil
- 8 = FC CuAl 3x500–750 kcmil + HR
- 9 = FC CuAl 3x500–750 kcmil + VR

7: Motor / MOC / actuator / S33M

A = None	R = COM Actuator + M 220–250 V AC/DC
B = M 24–30 V AC/DC	S = COM Actuator + M 380–415 V AC/DC
C = M 48–60 V AC/DC	T = COM Actuator + M 24–30 V AC/DC + MOC
D = M 100–130 V AC/DC	U = COM Actuator + M 48–60 V AC/DC + MOC
E = M 220–250 V AC/DC	V = COM Actuator + M 100–130 V AC/DC + MOC
F = M 380–415 V AC/DC	W = COM Actuator + M 220–250 V AC/DC + MOC
G = MOC	X = COM Actuator + M 380–415 V AC/DC + MOC
H = MOC + M 24–30 V AC/DC	Y = M 24–30 V AC/DC + AUX S33 M/2 24V
J = MOC + M 48–60 V AC/DC	Z = M 220–250 V AC/DC + AUX S33 M/2 250V
K = MOC + M 100–130 V AC/DC	0 = MOC + M 24–30 V AC/DC + AUX S33 M/2 24V
L = MOC + M 220–250 V AC/DC	1 = MOC + M 220–250 V AC/DC + AUX S33 M/2 250V
M = MOC + M 380–415 V AC/DC	2 = COM Actuator + M 24–30 V AC/DC + AUX S33 M/2 24V
N = COM Actuator + M 24–30 V AC/DC	3 = COM Actuator + M 220–250 V AC/DC + AUX S33 M/2 250V
P = COM Actuator + M 48–60 V AC/DC	4 = COM Actuator + M 24–30 V AC/DC + MOC + AUX S33 M/2 24V
Q = COM Actuator + M 100–130 V AC/DC	5 = COM Actuator + M 220–250 V AC/DC + MOC + AUX S33 M/2 250V

Tmax XT7M

U.S. Ordering Code construction

See page 6-75 for remaining descriptions



8 & 9: Ekip supply / COMs / signalling 24-48 V DC

ZZ = None
AB = Ekip Supply 24-48 V DC - Stand Alone
AC = 1 x Ekip Signalling 2k
AD = 2 x Ekip Signalling 2k
AE = Ekip COM Modbus RTU Tmax XT
AF = Ekip COM Modbus TCP Tmax XT
AG = Ekip COM Profibus Tmax XT
AH = Ekip COM Profinet Tmax XT
AJ = Ekip COM Devicenet Tmax XT
AK = Ekip COM Ethernet/IP Tmax XT
AL = Ekip COM IEC61850 Tmax XT
AM = Ekip Link Tmax XT
AN = Ekip COM Hub Tmax XT
AP = Ekip Synchrocheck
AQ = Ekip CI
AR = 1 x Ekip signalling 3T-1 AI - Temp PT1000
AS = 2 x Ekip signalling 3T-1 AI - Temp PT1000
TA = Ekip Supply 110-240 V AC/DC - stand alone
TB = 1 x Ekip signalling 2k
TC = 2 x Ekip signalling 2k
TD = Ekip COM Modbus RTU Tmax XT
TE = Ekip COM Modbus TCP Tmax XT
TF = Ekip COM Profibus Tmax XT
TG = Ekip COM Profinet Tmax XT
TH = Ekip COM Devicenet Tmax XT
TJ = Ekip COM Ethernet/IP Tmax XT
TK = Ekip COM IEC61850 Tmax XT
TL = Ekip Link Tmax XT
TM = Ekip COM Hub Tmax XT
TN = Ekip Synchrocheck
TP = Ekip CI
TQ = 1 x Ekip signalling 3T-1 AI - Temp PT1000
TR = 2 x Ekip signalling 3T-1 AI - Temp PT1000

10: AUX / RTC

A = None
B = AUX 4Q 400 V
C = AUX 4Q 24 V DC
D = AUX 2Q 400 V AC + 2Q 24 V DC
E = AUX S51 250 V
F = AUX S51 24 V
G = RTC 250 V
H = RTC 24 V
J = AUX 4Q 400 V + AUX S51 250 V
K = AUX 4Q 400 V + AUX S51 24 V
L = AUX 4Q 24 V DC + AUX S51 250 V
M = AUX 4Q 24 V DC + AUX S51 24 V
N = AUX 4Q 400 V + AUX S51 250 V + RTC 250 V
P = AUX 4Q 400 V + AUX S51 24 V + RTC 250 V
Q = AUX 4Q 24 V DC + AUX S51 250 V + RTC 250 V
R = AUX 4Q 24 V DC + AUX S51 24 V + RTC 250 V
S = AUX 4Q 400 V + AUX S51 250 V + RTC 24 V
T = AUX 4Q 400 V + AUX S51 24 V + RTC 24 V
U = AUX 4Q 24 V DC + AUX S51 250 V + RTC 24 V
V = AUX 4Q 24 V DC + AUX S51 24 V + RTC 24 V
W = AUX 4Q 400 V + RTC 250 V
X = AUX 4Q 24 V DC + RTC 250 V
Y = AUX S51 24 V + RTC 250 V
Z = AUX S51 250 V + RTC 250 V
0 = AUX 4Q 400 V + RTC 24 V
1 = AUX 4Q 24 V DC + RTC 24 V
2 = AUX S51 24 V + RTC 24 V
3 = AUX S51 250 V + RTC 24 V

11: YC / YR

A = None
B = YC 24 V AC/DC (XT7M)
C = YC 30 V AC/DC (XT7M)
D = YC 48 V AC/DC (XT7M)
E = YC 60 V AC/DC (XT7M)
F = YC 110-120 V AC/DC (XT7M)
G = YC 120-127 V AC/DC (XT7M)
H = YC 220-240 V AC/DC (XT7M)
J = YC 240-250 V AC/DC (XT7M)
K = YC 380-400 V AC (XT7M)
L = YC 415-440 V AC (XT7M)
M = YC 480-500 V AC (XT7M)
P = YR 24 V DC
Q = YR 110 V AC/DC
R = YR 220 V AC/DC
S = YC 24 V AC/DC + YR 24 V DC (XT7M)
T = YC 110-120 V AC/DC + YR 110 V AC/DC (XT7M)
U = YC 220-240 V AC/DC + YR 220 V AC/DC (XT7M)

12: YO / RTC Ekip

A = None
B = YO 24 V AC/DC (XT7M)
C = YO 30 V AC/DC (XT7M)
D = YO 48 V AC/DC (XT7M)
E = YO 60 V AC/DC
F = YO 110-120 V AC/DC (XT7M)
G = YO 120-127 V AC/DC (XT7M)
H = YO 220-240 V AC/DC (XT7M)
J = YO 240-250 V AC/DC (XT7M)
K = YO 380-400 V AC (XT7M)
L = YO 415-440 V AC (XT7M)
M = YO 480-500 V AC
P = RTC Ekip 24 V
Q = YO 24 V AC/DC + RTC Ekip 24 V (XT7M)
R = YO 30 V AC/DC + RTC Ekip 24 V (XT7M)
S = YO 48 V AC/DC + RTC Ekip 24 V (XT7M)
T = YO 60 V AC/DC + RTC Ekip 24 V (XT7M)
U = YO 110-120 V AC/DC + RTC Ekip 24 V (XT7M)
V = YO 120-127 V AC/DC + RTC Ekip 24 V (XT7M)
W = YO 220-240 V AC/DC + RTC Ekip 24 V (XT7M)
X = YO 240-250 V AC/DC + RTC Ekip 24 V (XT7M)
Y = YO 380-400 V AC + RTC Ekip 24 V (XT7M)
Z = YO 415-440 V AC + RTC Ekip 24 V (XT7M)
0 = YO 480-500 V AC + RTC Ekip 24 V (XT7M)

13: YU / YO2

A = None	P = YO 24 V AC/DC (XT7M)
B = YU 24 V AC/DC (XT7M)	Q = YO 30 V AC/DC (XT7M)
C = YU 30 V AC/DC (XT7M)	R = YO 48 V AC/DC (XT7M)
D = YU 48 V AC/DC (XT7M)	S = YO 60 V AC/DC (XT7M)
E = YU 60 V AC/DC (XT7M)	T = YO 110-120 V AC/DC (XT7M)
F = YU 110-120 V AC/DC (XT7M)	U = YO 120-127 V AC/DC (XT7M)
G = YU 120-127 V AC/DC (XT7M)	V = YO 220-240 V AC/DC (XT7M)
H = YU 220-240 V AC/DC (XT7M)	W = YO 240-250 V AC/DC (XT7M)
J = YU 240-250 V AC/DC (XT7M)	X = YO 380-400 V AC (XT7M)
K = YU 380-400 V AC (XT7M)	Y = YO 415-440 V AC (XT7M)
L = YU 415-440 V AC (XT7M)	Z = YO 480-500 V AC (XT7M)
M = YU 480-500 V AC (XT7M)	

Tmax XT7M

U.S. Ordering Code construction (cont.)



14: KLC / PLC / PBC

0 = None	T = KLC-A Ronis 1104 – STI key lock open + PLC padlocks in open position D = 8 mm
A = KLC-D Key lock open XT7M	U = KLC-D Key lock open XT7M + PBC prot. pushbuttons AP/CH
B = KLC-S Key lock open N.20005 XT7M	V = KLC-S Key lock open N.20005 XT7M + PBC prot. pushbuttons AP/CH
C = KLC-A Key lock open Kirk XT7M	W = KLC-A Key lock open Kirk XT7M + PBC prot. pushbuttons AP/CH
D = KLC-A Castell key lock open	X = KLC-A Castell key lock open + PBC prot. pushbuttons AP/CH
E = KLC-A Ronis 1104 – STI key lock open	Y = KLC-A Ronis 1104 – STI key lock open + PBC prot. pushbuttons AP/CH
F = PLC Padlocks in open position D = 4 mm	Z = KLC-D Key lock open XT7M + PBC prot. pushbuttons AP/CH D = 4 mm
G = PLC Padlocks in open position D = 8 mm	1 = KLC-S Key lock open N.20005 XT7M + PBC prot. pushbuttons AP/CH D = 4 mm
H = PBC Prot. pushbuttons AP/CH	2 = KLC-A Key lock open Kirk XT7M + PBC prot. pushbuttons AP/CH D = 4 mm
I = PBC Prot. pushbuttons AP/CH D = 4 mm	3 = KLC-A Castell key lock open + PBC prot. pushbuttons AP/CH D = 4 mm
J = PBC Prot. pushbuttons AP/CH D = 8 mm	4 = KLC-A Ronis 1104 – STI key lock open + PBC prot. pushbuttons AP/CH D = 4 mm
K = KLC-D Key lock open XT7M + PLC Padlocks in open position D = 4 mm	5 = KLC-D Key lock open XT7M + PBC prot. pushbuttons AP/CH D = 8 mm
L = KLC-S Key lock open N.20005 XT7M + PLC padlocks in open position D = 4 mm	6 = KLC-S Key lock open N.20005 XT7M + PBC prot. pushbuttons AP/CH D = 8 mm
M = KLC-A Key lock open Kirk XT7M + PLC padlocks in open position D = 4 mm	7 = KLC-A Key lock open Kirk XT7M + PBC prot. pushbuttons AP/CH D = 8 mm
N = KLC-A Castell key lock open + PLC padlocks in open position D = 4 mm	8 = KLC-A Castell key lock open + PBC prot. pushbuttons AP/CH D = 8 mm
O = KLC-A Ronis 1104 – STI key lock open + PLC padlocks in open position D = 4 mm	9 = KLC-A Ronis 1104 – STI key lock open + PBC prot. pushbuttons AP/CH D = 8 mm
P = KLC-D Key lock open XT7M + PLC padlocks in open position D = 8 mm	
Q = KLC-S Key lock open N.20005 XT7M + PLC padlocks in open position D = 8 mm	
R = KLC-A Key lock open Kirk XT7M + PLC padlocks in open position D = 8 mm	
S = KLC-A Castell key lock open + PLC padlocks in open position D = 8 mm	

15: Future usage

0 = None

16: Advanced functionality

0 = None
A = Class 1 power & energy metering
G = Measuring
H = Voltages protection
J = Frequency protection
K = Power protection
L = Adaptive protection
M = Datalogger
N = Network analyzer
P = Voltages protection advanced
Q = Rocof protection
R = Ekip power controller
S = ATS main-tie-main closed license
T = ATS main-tie-main open license
U = ATS main-main closed license
V = ATS main-main open license
W = Synchro reclosing
X = IPS – interface protection system
Y = Load shedding – predictive
Z = Load shedding – adaptive

17: Additional certifications / extra

0 = None
A = Test certificate provided (in English)
B = Test certificate provided (in French)
C = Test certificate provided (in Spanish)
E = Extended warranty, 4 years
F = Extended warranty, 5 years
D = Bluetooth disabled

18: Future usage

0 = None

Ordering codes for Tmax XT1

Circuit breakers



Tmax XT1 – circuit breaker

Distribution circuit breakers

Tmax XT, XT1, 125A Frame, Thermal Magnetic-Fixed Protection (TMF), Front Terminals

Amps	N (25kA)	S (35kA)	H (65kA)
	U.S. Ordering Code	U.S. Ordering Code	U.S. Ordering Code
15	XT1N■◆015AFF000XXX	XT1S■◆015AFF000XXX	XT1H■◆015AFF000XXX
20	XT1N■◆020AFF000XXX	XT1S■◆020AFF000XXX	XT1H■◆020AFF000XXX
25	XT1N■◆025AFF000XXX	XT1S■◆025AFF000XXX	XT1H■◆025AFF000XXX
30	XT1N■◆030AFF000XXX	XT1S■◆030AFF000XXX	XT1H■◆030AFF000XXX
35	XT1N■◆035AFF000XXX	XT1S■◆035AFF000XXX	XT1H■◆035AFF000XXX
40	XT1N■◆040AFF000XXX	XT1S■◆040AFF000XXX	XT1H■◆040AFF000XXX
45	XT1N■◆045AFF000XXX	XT1S■◆045AFF000XXX	XT1H■◆045AFF000XXX
50	XT1N■◆050AFF000XXX	XT1S■◆050AFF000XXX	XT1H■◆050AFF000XXX
60	XT1N■◆060AFF000XXX	XT1S■◆060AFF000XXX	XT1H■◆060AFF000XXX
70	XT1N■◆070AFF000XXX	XT1S■◆070AFF000XXX	XT1H■◆070AFF000XXX
80	XT1N■◆080AFF000XXX	XT1S■◆080AFF000XXX	XT1H■◆080AFF000XXX
90	XT1N■◆090AFF000XXX	XT1S■◆090AFF000XXX	XT1H■◆090AFF000XXX
100	XT1N■◆100AFF000XXX	XT1S■◆100AFF000XXX	XT1H■◆100AFF000XXX
110	XT1NU◆110AFF000XXX	XT1SU◆110AFF000XXX	XT1HU◆110AFF000XXX
125	XT1NU◆125AFF000XXX	XT1SU◆125AFF000XXX	XT1HU◆125AFF000XXX

■ U for UL 80% rated or Q for 100% rated
 ◆ 3 for 3-pole or 4 for 4-pole

Motor protection circuit breaker (MPCB)

Tmax XT1 125A Frame MA trip unit front terminals

Amps	H (65kA)	
	80% Rated	100% Rated
	3-pole	3-pole
	U.S. Ordering Code	U.S. Ordering Code
3	XT1HU3003MFF000XXX	XT1HQ3003MFF000XXX
7	XT1HU3007MFF000XXX	XT1HQ3007MFF000XXX
15	XT1HU3015MFF000XXX	XT1HQ3015MFF000XXX
30	XT1HU3030MFF000XXX	XT1HQ3030MFF000XXX
50	XT1HU3050MFF000XXX	XT1HQ3050MFF000XXX
70	XT1HU3070MFF000XXX	XT1HQ3070MFF000XXX
80	XT1HU3080MFF000XXX	XT1HQ3080MFF000XXX
100	XT1HU3100MFF000XXX	XT1HQ3100MFF000XXX
125	XT1HU3125MFF000XXX	-

Molded case switches

Tmax XT XT1D, 125A Frame MCS

Type	kA	3-pole	4-pole
		U.S. Ordering Code	U.S. Ordering Code
XT1N-D 125	25	XT1NU3125DFF000XXX	XT1NU4125DFF000XXX
XT1S-D 125	35	XT1SU3125DFF000XXX	XT1SU4125DFF000XXX
XT1H-D 125	65	XT1HU3125DFF000XXX	XT1HU4125DFF000XXX

Ordering codes for Tmax XT2

Circuit breakers



Tmax XT2 – circuit breaker

Distribution circuit breakers

Tmax XT, XT2, 125A Frame, Thermal Magnetic-Fixed (TMF) and Adjustable (TMA) Protection with Front Terminals

Amps	N (25kA)	S (35kA)	H (65kA)
	U.S. Ordering Code	U.S. Ordering Code	U.S. Ordering Code
Thermal Magnetic-Fixed (TMF)			
15	XT2N■◆015AFF000XXX	XT2S■◆015AFF000XXX	XT2H■◆015AFF000XXX
20	XT2N■◆020AFF000XXX	XT2S■◆020AFF000XXX	XT2H■◆020AFF000XXX
25	XT2N■◆025AFF000XXX	XT2S■◆025AFF000XXX	XT2H■◆025AFF000XXX
30	XT2N■◆030AFF000XXX	XT2S■◆030AFF000XXX	XT2H■◆030AFF000XXX
35	XT2N■◆035AFF000XXX	XT2S■◆035AFF000XXX	XT2H■◆035AFF000XXX
40	XT2N■◆040AFF000XXX	XT2S■◆040AFF000XXX	XT2H■◆040AFF000XXX
50	XT2N■◆050AFF000XXX	XT2S■◆050AFF000XXX	XT2H■◆050AFF000XXX
60	XT2N■◆060AFF000XXX	XT2S■◆060AFF000XXX	XT2H■◆060AFF000XXX
70	XT2N■◆070AFF000XXX	XT2S■◆070AFF000XXX	XT2H■◆070AFF000XXX
Thermal Magnetic-Adjustable (TMA)			
80	XT2N■◆080BFF000XXX	XT2S■◆080BFF000XXX	XT2H■◆080BFF000XXX
90	XT2N■◆090BFF000XXX	XT2S■◆090BFF000XXX	XT2H■◆090BFF000XXX
100	XT2N■◆100BFF000XXX	XT2S■◆100BFF000XXX	XT2H■◆100BFF000XXX
110	XT2NU◆110BFF000XXX	XT2SU◆110BFF000XXX	XT2HU◆110BFF000XXX
125	XT2NU◆125BFF000XXX	XT2SU◆125BFF000XXX	XT2HU◆125BFF000XXX

■ U for UL 80% rated or Q for 100% rated

◆ 3 for 3-pole or 4 for 4-pole

Tmax XT, XT2, 125A Frame, Thermal Magnetic-Fixed (TMF) and Adjustable (TMA) Protection with Front Terminals

Amps	L (100kA)	V (150kA)	X (200kA)
	U.S. Ordering Code	U.S. Ordering Code	U.S. Ordering Code
Thermal Magnetic-Fixed (TMF)			
15	XT2L■◆015AFF000XXX	XT2V■◆015AFF000XXX	XT2X■◆015AFF000XXX
20	XT2L■◆020AFF000XXX	XT2V■◆020AFF000XXX	XT2X■◆020AFF000XXX
25	XT2L■◆025AFF000XXX	XT2V■◆025AFF000XXX	XT2X■◆025AFF000XXX
30	XT2L■◆030AFF000XXX	XT2V■◆030AFF000XXX	XT2X■◆030AFF000XXX
35	XT2L■◆035AFF000XXX	XT2V■◆035AFF000XXX	XT2X■◆035AFF000XXX
40	XT2L■◆040AFF000XXX	XT2V■◆040AFF000XXX	XT2X■◆040AFF000XXX
50	XT2L■◆050AFF000XXX	XT2V■◆050AFF000XXX	XT2X■◆050AFF000XXX
60	XT2L■◆060AFF000XXX	XT2V■◆060AFF000XXX	XT2X■◆060AFF000XXX
70	XT2L■◆070AFF000XXX	XT2V■◆070AFF000XXX	XT2X■◆070AFF000XXX
Thermal Magnetic-Adjustable (TMA)			
80	XT2L■◆080BFF000XXX	XT2V■◆080BFF000XXX	XT2X■◆080BFF000XXX
90	XT2L■◆090BFF000XXX	XT2V■◆090BFF000XXX	XT2X■◆090BFF000XXX
100	XT2L■◆100BFF000XXX	XT2V■◆100BFF000XXX	XT2X■◆100BFF000XXX
110	XT2LU◆110BFF000XXX	XT2VU◆110BFF000XXX	XT2XU◆110BFF000XXX
125	XT2LU◆125BFF000XXX	XT2VU◆125BFF000XXX	XT2XU◆125BFF000XXX

■ U for UL 80% rated or Q for 100% rated

◆ 3 for 3-pole or 4 for 4-pole

Ordering codes for Tmax XT2 Circuit breakers



Tmax XT2 – circuit breaker

Distribution circuit breakers

Tmax XT, XT2, 125A Frame, Ekip DIP LS/I, LSI, LSIG, and LIG protection trip units with Front Terminals

Amps	N (25kA)	S (35kA)	H (65kA)
	U.S. Ordering Code	U.S. Ordering Code	U.S. Ordering Code
Ekip DIP LS/I			
10	XT2N■◆010EFF000XXX	XT2S■◆010EFF000XXX	XT2H■◆010EFF000XXX
25	XT2N■◆025EFF000XXX	XT2S■◆025EFF000XXX	XT2H■◆025EFF000XXX
60	XT2N■◆060EFF000XXX	XT2S■◆060EFF000XXX	XT2H■◆060EFF000XXX
100	XT2N■◆100EFF000XXX	XT2S■◆100EFF000XXX	XT2H■◆100EFF000XXX
125	XT2N■◆125EFF000XXX	XT2S■◆125EFF000XXX	XT2H■◆125EFF000XXX
Ekip DIP LSI			
10	XT2N■◆0101FF000XXX	XT2S■◆0101FF000XXX	XT2H■◆0101FF000XXX
25	XT2N■◆0251FF000XXX	XT2S■◆0251FF000XXX	XT2H■◆0251FF000XXX
60	XT2N■◆0601FF000XXX	XT2S■◆0601FF000XXX	XT2H■◆0601FF000XXX
100	XT2N■◆1001FF000XXX	XT2S■◆1001FF000XXX	XT2H■◆1001FF000XXX
125	XT2N■◆1251FF000XXX	XT2S■◆1251FF000XXX	XT2H■◆1251FF000XXX
Ekip DIP LSIG			
10	XT2N■◆0102FF000XXX	XT2S■◆0102FF000XXX	XT2H■◆0102FF000XXX
25	XT2N■◆0252FF000XXX	XT2S■◆0252FF000XXX	XT2H■◆0252FF000XXX
60	XT2N■◆0602FF000XXX	XT2S■◆0602FF000XXX	XT2H■◆0602FF000XXX
100	XT2N■◆1002FF000XXX	XT2S■◆1002FF000XXX	XT2H■◆1002FF000XXX
125	XT2N■◆1252FF000XXX	XT2S■◆1252FF000XXX	XT2H■◆1252FF000XXX
Ekip DIP LIG			
10	XT2N■◆010CFF000XXX	XT2S■◆010CFF000XXX	XT2H■◆010CFF000XXX
25	XT2N■◆025CFF000XXX	XT2S■◆025CFF000XXX	XT2H■◆025CFF000XXX
60	XT2N■◆060CFF000XXX	XT2S■◆060CFF000XXX	XT2H■◆060CFF000XXX
100	XT2N■◆100CFF000XXX	XT2S■◆100CFF000XXX	XT2H■◆100CFF000XXX
125	XT2N■◆125CFF000XXX	XT2S■◆125CFF000XXX	XT2H■◆125CFF000XXX

■ U for UL 80% rated or Q for 100% rated
◆ 3 for 3-pole or 4 for 4-pole

Tmax XT, XT2, 125A Frame, Ekip DIP LS/I, LSI, LSIG, and LIG protection trip units with Front Terminals

Amps	L (100kA)	V (150kA)
	U.S. Ordering Code	U.S. Ordering Code
Ekip DIP LS/I		
10	XT2L■◆010EFF000XXX	XT2V■◆010EFF000XXX
25	XT2L■◆025EFF000XXX	XT2V■◆025EFF000XXX
60	XT2L■◆060EFF000XXX	XT2V■◆060EFF000XXX
100	XT2L■◆100EFF000XXX	XT2V■◆100EFF000XXX
125	XT2L■◆125EFF000XXX	XT2V■◆125EFF000XXX
Ekip DIP LSI		
10	XT2L■◆0101FF000XXX	XT2V■◆0101FF000XXX
25	XT2L■◆0251FF000XXX	XT2V■◆0251FF000XXX
60	XT2L■◆0601FF000XXX	XT2V■◆0601FF000XXX
100	XT2L■◆1001FF000XXX	XT2V■◆1001FF000XXX
125	XT2L■◆1251FF000XXX	XT2V■◆1251FF000XXX
Ekip DIP LSIG		
10	XT2L■◆0102FF000XXX	XT2V■◆0102FF000XXX
25	XT2L■◆0252FF000XXX	XT2V■◆0252FF000XXX
60	XT2L■◆0602FF000XXX	XT2V■◆0602FF000XXX
100	XT2L■◆1002FF000XXX	XT2V■◆1002FF000XXX
125	XT2L■◆1252FF000XXX	XT2V■◆1252FF000XXX
Ekip DIP LIG		
10	-	-
25	-	-
60	XT2L■◆060CFF000XXX	XT2V■◆060CFF000XXX
100	XT2L■◆100CFF000XXX	XT2V■◆100CFF000XXX
125	XT2L■◆125CFF000XXX	XT2V■◆125CFF000XXX

■ U for UL 80% rated or Q for 100% rated
◆ 3 for 3-pole or 4 for 4-pole

Ordering codes for Tmax XT2 Circuit breakers



Tmax XT2 – circuit breaker

Distribution circuit breakers

Tmax XT, XT2, 125A Frame, Ekip TOUCH LSI and LSIg, protection trip units with Front Terminals

Amps	N (25kA)	S (35kA)	H (65kA)
	U.S. Ordering Code	U.S. Ordering Code	U.S. Ordering Code
Ekip TOUCH LSI			
40	XT2N■◆040PFF000XXX	XT2S■◆040PFF000XXX	XT2H■◆040PFF000XXX
60	XT2N■◆060PFF000XXX	XT2S■◆060PFF000XXX	XT2H■◆060PFF000XXX
100	XT2N■◆100PFF000XXX	XT2S■◆100PFF000XXX	XT2H■◆100PFF000XXX
125	XT2N■◆125PFF000XXX	XT2S■◆125PFF000XXX	XT2H■◆125PFF000XXX
Ekip TOUCH LSIg			
40	XT2N■◆040QFF000XXX	XT2S■◆040QFF000XXX	XT2H■◆040QFF000XXX
60	XT2N■◆060QFF000XXX	XT2S■◆060QFF000XXX	XT2H■◆060QFF000XXX
100	XT2N■◆100QFF000XXX	XT2S■◆100QFF000XXX	XT2H■◆100QFF000XXX
125	XT2N■◆125QFF000XXX	XT2S■◆125QFF000XXX	XT2H■◆125QFF000XXX

■ U for UL 80% rated or Q for 100% rated
◆ 3 for 3-pole or 4 for 4-pole

Tmax XT, XT2, 125A Frame, Ekip TOUCH LSI and LSIg, protection trip units with Front Terminals

Amps	L (100kA)	V (150kA)
	U.S. Ordering Code	U.S. Ordering Code
Ekip TOUCH LSI		
40	XT2L■◆040PFF000XXX	XT2V■◆040PFF000XXX
60	XT2L■◆060PFF000XXX	XT2V■◆060PFF000XXX
100	XT2L■◆100PFF000XXX	XT2V■◆100PFF000XXX
125	XT2L■◆125PFF000XXX	XT2V■◆125PFF000XXX
Ekip TOUCH LSIg		
40	XT2L■◆040QFF000XXX	XT2V■◆040QFF000XXX
60	XT2L■◆060QFF000XXX	XT2V■◆060QFF000XXX
100	XT2L■◆100QFF000XXX	XT2V■◆100QFF000XXX
125	XT2L■◆125QFF000XXX	XT2V■◆125QFF000XXX

■ U for UL 80% rated or Q for 100% rated
◆ 3 for 3-pole or 4 for 4-pole

Ordering codes for Tmax XT2 Circuit breakers



Tmax XT2 – circuit breaker

Distribution circuit breakers

Tmax XT, XT2, 125A Frame, Ekip TOUCH Measuring LSI and LSIG, protection trip units with Front Terminals

Amps	N (25kA)	S (35kA)	H (65kA)
	U.S. Ordering Code	U.S. Ordering Code	U.S. Ordering Code
Ekip TOUCH Measuring LSI			
40	XT2N■◆040RFF000XXX	XT2S■◆040RFF000XXX	XT2H■◆040RFF000XXX
60	XT2N■◆060RFF000XXX	XT2S■◆060RFF000XXX	XT2H■◆060RFF000XXX
100	XT2N■◆100RFF000XXX	XT2S■◆100RFF000XXX	XT2H■◆100RFF000XXX
125	XT2N■◆125RFF000XXX	XT2S■◆125RFF000XXX	XT2H■◆125RFF000XXX
Ekip TOUCH Measuring LSIG			
40	XT2N■◆040SFF000XXX	XT2S■◆040SFF000XXX	XT2H■◆040SFF000XXX
60	XT2N■◆060SFF000XXX	XT2S■◆060SFF000XXX	XT2H■◆060SFF000XXX
100	XT2N■◆100SFF000XXX	XT2S■◆100SFF000XXX	XT2H■◆100SFF000XXX
125	XT2N■◆125SFF000XXX	XT2S■◆125SFF000XXX	XT2H■◆125SFF000XXX

■ U for UL 80% rated or Q for 100% rated
◆ 3 for 3-pole or 4 for 4-pole

Tmax XT, XT2, 125A Frame, Ekip TOUCH Measuring LSI and LSIG, protection trip units with Front Terminals

Amps	L (100kA)	V (150kA)
	U.S. Ordering Code	U.S. Ordering Code
Ekip TOUCH Measuring LSI		
40	XT2L■◆040RFF000XXX	XT2V■◆040RFF000XXX
60	XT2L■◆060RFF000XXX	XT2V■◆060RFF000XXX
100	XT2L■◆100RFF000XXX	XT2V■◆100RFF000XXX
125	XT2L■◆125RFF000XXX	XT2V■◆125RFF000XXX
Ekip TOUCH Measuring LSIG		
40	XT2L■◆040SFF000XXX	XT2V■◆040SFF000XXX
60	XT2L■◆060SFF000XXX	XT2V■◆060SFF000XXX
100	XT2L■◆100SFF000XXX	XT2V■◆100SFF000XXX
125	XT2L■◆125SFF000XXX	XT2V■◆125SFF000XXX

■ U for UL 80% rated or Q for 100% rated
◆ 3 for 3-pole or 4 for 4-pole

Ordering codes for Tmax XT2

Circuit breakers



Tmax XT2 – circuit breaker

Distribution circuit breakers

Tmax XT, XT2, 125A Frame, Ekip HI-TOUCH LSI and LSIg, protection trip units with Front Terminals

Amps	N (25kA)	S (35kA)	H (65kA)
	U.S. Ordering Code	U.S. Ordering Code	U.S. Ordering Code
Ekip HI-TOUCH LSI			
40	XT2N■◆040TFF000XXX	XT2S■◆040TFF000XXX	XT2H■◆040TFF000XXX
60	XT2N■◆060TFF000XXX	XT2S■◆060TFF000XXX	XT2H■◆060TFF000XXX
100	XT2N■◆100TFF000XXX	XT2S■◆100TFF000XXX	XT2H■◆100TFF000XXX
125	XT2N■◆125TFF000XXX	XT2S■◆125TFF000XXX	XT2H■◆125TFF000XXX
Ekip HI-TOUCH LSIg			
40	XT2N■◆040UFF000XXX	XT2S■◆040UFF000XXX	XT2H■◆040UFF000XXX
60	XT2N■◆060UFF000XXX	XT2S■◆060UFF000XXX	XT2H■◆060UFF000XXX
100	XT2N■◆100UFF000XXX	XT2S■◆100UFF000XXX	XT2H■◆100UFF000XXX
125	XT2N■◆125UFF000XXX	XT2S■◆125UFF000XXX	XT2H■◆125UFF000XXX

■ U for UL 80% rated or Q for 100% rated
◆ 3 for 3-pole or 4 for 4-pole

Tmax XT, XT2, 125A Frame, Ekip HI-TOUCH LSI and LSIg, protection trip units with Front Terminals

Amps	L (100kA)	V (150kA)
	U.S. Ordering Code	U.S. Ordering Code
Ekip HI-TOUCH LSI		
40	XT2L■◆040TFF000XXX	XT2V■◆040TFF000XXX
60	XT2L■◆060TFF000XXX	XT2V■◆060TFF000XXX
100	XT2L■◆100TFF000XXX	XT2V■◆100TFF000XXX
125	XT2L■◆125TFF000XXX	XT2V■◆125TFF000XXX
Ekip HI-TOUCH LSIg		
40	XT2L■◆040UFF000XXX	XT2V■◆040UFF000XXX
60	XT2L■◆060UFF000XXX	XT2V■◆060UFF000XXX
100	XT2L■◆100UFF000XXX	XT2V■◆100UFF000XXX
125	XT2L■◆125UFF000XXX	XT2V■◆125UFF000XXX

■ U for UL 80% rated or Q for 100% rated
◆ 3 for 3-pole or 4 for 4-pole

Ordering codes for Tmax XT2 Circuit breakers



Tmax XT2 – circuit breaker

Motor protection circuit breaker (MPCB)

Tmax XT, XT2 Ekip M Touch LRIU front terminals (F)

Amps	H (65kA)	
	80% or 100% Rated	
	3-pole	
	U.S. Ordering Code	
40	XT2H■3040WFF000XXX	
60	XT2H■3060WFF000XXX	
100	XT2H■3100WFF000XXX	
125	XT2HQ3125WFF000XXX	

■ U for UL 80% rated or Q for 100% rated

Tmax XT, XT2 Ekip M Touch LRIU front terminals (F)

Amps	L (100kA)		V (150kA)	
	80% or 100% Rated		80% or 100% Rated	
	3-pole		3-pole	
	U.S. Ordering Code		U.S. Ordering Code	
40	XT2L■3040WFF000XXX	XT2V■3040WFF000XXX		
60	XT2L■3060WFF000XXX	XT2V■3060WFF000XXX		
100	XT2L■3100WFF000XXX	XT2V■3100WFF000XXX		
125	XT2LQ3125WFF000XXX	XT2VQ3125WFF000XXX		

■ U for UL 80% rated or Q for 100% rated

Tmax XT, XT2 Ekip M-LIU trip units front terminals (F)

Amps	H (65kA)		L (100kA)		V (150kA)	
	80% or 100% Rated		80% or 100% Rated		80% or 100% Rated	
	3-pole		3-pole		3-pole	
	U.S. Ordering Code		U.S. Ordering Code		U.S. Ordering Code	
25	XT2H■3025LFF000XXX	XT2L■3025LFF000XXX	XT2V■3025LFF000XXX			
60	XT2H■3060LFF000XXX	XT2L■3060LFF000XXX	XT2V■3060LFF000XXX			
100	XT2H■3100LFF000XXX	XT2L■3100LFF000XXX	XT2V■3100LFF000XXX			

■ U for UL 80% rated or Q for 100% rated

Ordering codes for Tmax XT2

Circuit breakers



Tmax XT2 – circuit breaker

Motor circuit protector (MCP)

Tmax XT, XT2 125A Frame MA trip unit front terminals (F)

Amps	H (65kA)	L (100kA)
	80% Rated	80% Rated
	3-pole	3-pole
	U.S. Ordering Code	U.S. Ordering Code
3	XT2HU3003MFF000XXX	XT2LU3003MFF000XXX
7	XT2HU3007MFF000XXX	XT2LU3007MFF000XXX
15	XT2HU3015MFF000XXX	XT2LU3015MFF000XXX
30	XT2HU3030MFF000XXX	XT2LU3030MFF000XXX
50	XT2HU3050MFF000XXX	XT2LU3050MFF000XXX
70	XT2HU3070MFF000XXX	XT2LU3070MFF000XXX
80	XT2HU3080MFF000XXX	XT2LU3080MFF000XXX
100	XT2HU3100MFF000XXX	XT2LU3100MFF000XXX
125	XT2HU3125MFF000XXX	XT2LU3125MFF000XXX

Tmax XT, XT2 125A Frame Ekip I trip unit front terminals (F)

Amps	H (65kA)	L (100kA)	V (150kA)
	3-pole	3-pole	3-pole
	U.S. Ordering Code	U.S. Ordering Code	U.S. Ordering Code
	10	XT2HU3010JFF000XXX	XT2LU3010JFF000XXX
25	XT2HU3025JFF000XXX	XT2LU3025JFF000XXX	XT2VU3025JFF000XXX
60	XT2HU3060JFF000XXX	XT2LU3060JFF000XXX	XT2VU3060JFF000XXX
100	XT2HU3100JFF000XXX	XT2LU3100JFF000XXX	XT2VU3100JFF000XXX
125	XT2HU3125JFF000XXX	XT2LU3125JFF000XXX	XT2VU3125JFF000XXX

Molded case switches

Tmax XT XT2D, 125A Frame MCS

lu	Type	3-pole	4-pole
		U.S. Ordering Code	U.S. Ordering Code
25	XT2N-D	XT2NU3125DFF000XXX	XT2NU4125DFF000XXX
65	XT2H-D	XT2HU3125DFF000XXX	XT2HU4125DFF000XXX
100	XT2L-D	XT2LU3125DFF000XXX	XT2LU4125DFF000XXX
200	XT2V-D	XT2VU3125DFF000XXX	XT2VU4125DFF000XXX

Ordering codes for Tmax XT3

Circuit breakers



Tmax XT3 – circuit breaker

Distribution circuit breakers

Tmax XT, XT3, 225A Frame, Thermal Magnetic-Fixed (TMF) Protection with Front Terminals

Amps	N (25kA)	S (35kA)
	U.S. Ordering Code	U.S. Ordering Code
60	XT3N■◆060AFF000XXX	XT3S■◆060AFF000XXX
70	XT3N■◆070AFF000XXX	XT3S■◆070AFF000XXX
80	XT3N■◆080AFF000XXX	XT3S■◆080AFF000XXX
90	XT3N■◆090AFF000XXX	XT3S■◆090AFF000XXX
100	XT3N■◆100AFF000XXX	XT3S■◆100AFF000XXX
110	XT3N■◆110AFF000XXX	XT3S■◆110AFF000XXX
125	XT3N■◆125AFF000XXX	XT3S■◆125AFF000XXX
150	XT3N■◆150AFF000XXX	XT3S■◆150AFF000XXX
175	XT3N■◆175AFF000XXX	XT3S■◆175AFF000XXX
200	XT3N■◆200AFF000XXX	XT3S■◆200AFF000XXX
225	XT3N■◆225AFF000XXX	XT3S■◆225AFF000XXX

■ U for UL 80% rated or Q for 100% rated
 ◆ 3 for 3-pole or 4 for 4-pole

Motor circuit protector (MCP)

Tmax XT, XT3, 225A Frame, MA trip unit with Front Terminals (F)

Amps	S (35kA)
	3-pole
	U.S. Ordering Code
100	XT3SU3100MFF000XXX
110	XT3SU3110MFF000XXX
125	XT3SU3125MFF000XXX
150	XT3SU3150MFF000XXX
200	XT3SU3200MFF000XXX

Molded case switches

Tmax XT XT3D, 225A Frame MCS

Iu	Type	3-pole	4-pole
		U.S. Ordering Code	U.S. Ordering Code
25	XT2N-D	XT3NU3225DFF000XXX	XT3NU4225DFF000XXX
35	XT2S-D	XT3SU3225DFF000XXX	XT3SU4225DFF000XXX

Ordering codes for Tmax XT4 Circuit breakers



Tmax XT4 – circuit breaker

Distribution circuit breakers

Tmax XT, XT4, 250A Frame, Thermal Magnetic-Fixed (TMF) and Adjustable (TMA) Protection with Front Terminals

Amps	N (25kA)	
	3- or 4-pole	S (35kA)
	U.S. Ordering Code	U.S. Ordering Code
Thermal Magnetic-Fixed (TMF)		
25	XT4N■◆025AFF000XXX	XT4S■◆025AFF000XXX
30	XT4N■◆030AFF000XXX	XT4S■◆030AFF000XXX
35	XT4N■◆035AFF000XXX	XT4S■◆035AFF000XXX
40	XT4N■◆040AFF000XXX	XT4S■◆040AFF000XXX
50	XT4N■◆050AFF000XXX	XT4S■◆050AFF000XXX
60	XT4N■◆060AFF000XXX	XT4S■◆060AFF000XXX
70	XT4N■◆070AFF000XXX	XT4S■◆070AFF000XXX
80	XT4N■3080AFF000XXX	XT4S■3080AFF000XXX
90	XT4N■3090AFF000XXX	XT4S■3090AFF000XXX
100	XT4N■3100AFF000XXX	XT4S■3100AFF000XXX
110	XT4N■3110AFF000XXX	XT4S■3110AFF000XXX
125	XT4N■3125AFF000XXX	XT4S■3125AFF000XXX
150	XT4N■3150AFF000XXX	XT4S■3150AFF000XXX
175	XT4N■3175AFF000XXX	XT4S■3175AFF000XXX
200	XT4N■3200AFF000XXX	XT4S■3200AFF000XXX
225	XT4N■3225AFF000XXX	XT4S■3225AFF000XXX
250	XT4N■3250AFF000XXX	XT4S■3250AFF000XXX
Thermal Magnetic-Adjustable (TMA)		
80	XT4N■◆080BFF000XXX	XT4S■◆080BFF000XXX
90	XT4N■◆090BFF000XXX	XT4S■◆090BFF000XXX
100	XT4N■◆100BFF000XXX	XT4S■◆100BFF000XXX
110	XT4N■◆110BFF000XXX	XT4S■◆110BFF000XXX
125	XT4N■◆125BFF000XXX	XT4S■◆125BFF000XXX
150	XT4N■◆150BFF000XXX	XT4S■◆150BFF000XXX
175	XT4N■◆175BFF000XXX	XT4S■◆175BFF000XXX
200	XT4N■◆200BFF000XXX	XT4S■◆200BFF000XXX
225	XT4N■◆225BFF000XXX	XT4S■◆225BFF000XXX
250	XT4N■◆250BFF000XXX	XT4S■◆250BFF000XXX

■ U for UL 80% rated or Q for 100% rated

◆ 3 for 3-pole or 4 for 4-pole

Tmax XT, XT4, 250A Frame, Thermal Magnetic-Fixed (TMF) and Adjustable (TMA) Protection with Front Terminals

Amps	H (65kA)	
	3- or 4-pole	4-pole
	U.S. Ordering Code	U.S. Ordering Code
Thermal Magnetic-Fixed (TMF)		
25	XT4H■◆025AFF000XXX	-
30	XT4H■◆030AFF000XXX	-
35	XT4H■◆035AFF000XXX	-
40	XT4H■◆040AFF000XXX	-
50	XT4H■◆050AFF000XXX	-
60	XT4H■◆060AFF000XXX	-
70	XT4H■◆070AFF000XXX	-
80	XT4H■3080AFF000XXX	-
90	XT4H■3090AFF000XXX	-
100	XT4H■3100AFF000XXX	-
110	XT4H■3110AFF000XXX	-
125	XT4H■3125AFF000XXX	-
150	XT4H■3150AFF000XXX	-
175	XT4H■3175AFF000XXX	-
200	XT4H■3200AFF000XXX	-
225	XT4H■3225AFF000XXX	-
250	XT4H■3250AFF000XXX	-
Thermal Magnetic-Adjustable (TMA)		
80	XT4HU3080BFF000XXX	XT4H■4080BFF000XXX
90	XT4HU3090BFF000XXX	XT4H■4090BFF000XXX
100	XT4HU3100BFF000XXX	XT4H■4100BFF000XXX
110	XT4HU3110BFF000XXX	XT4H■4110BFF000XXX
125	XT4HU3125BFF000XXX	XT4H■4125BFF000XXX
150	XT4HU3150BFF000XXX	XT4H■4150BFF000XXX
175	XT4HU3175BFF000XXX	XT4H■4175BFF000XXX
200	XT4HU3200BFF000XXX	XT4H■4200BFF000XXX
225	XT4HU3225BFF000XXX	XT4H■4225BFF000XXX
250	XT4HU3250BFF000XXX	XT4H■4250BFF000XXX

■ U for UL 80% rated or Q for 100% rated

◆ 3 for 3-pole or 4 for 4-pole

Ordering codes for Tmax XT4

Circuit breakers



Tmax XT4 – circuit breaker

Distribution circuit breakers

Tmax XT, XT4, 250A Frame, Thermal Magnetic-Fixed (TMF) and Adjustable (TMA) Protection with Front Terminals

Amps	L (100kA)	V (150kA)	X (200kA)
	U.S. Ordering Code	U.S. Ordering Code	U.S. Ordering Code
Thermal Magnetic-Fixed (TMF)			
25	XT4L■◆025AFF000XXX	XT4V■◆025AFF000XXX	XT4X■◆025AFF000XXX
30	XT4L■◆030AFF000XXX	XT4V■◆030AFF000XXX	XT4X■◆030AFF000XXX
35	XT4L■◆035AFF000XXX	XT4V■◆035AFF000XXX	XT4X■◆035AFF000XXX
40	XT4L■◆040AFF000XXX	XT4V■◆040AFF000XXX	XT4X■◆040AFF000XXX
50	XT4L■◆050AFF000XXX	XT4V■◆050AFF000XXX	XT4X■◆050AFF000XXX
60	XT4L■◆060AFF000XXX	XT4V■◆060AFF000XXX	XT4X■◆060AFF000XXX
70	XT4L■◆070AFF000XXX	XT4V■◆070AFF000XXX	XT4X■◆070AFF000XXX
80	XT4L■3080AFF000XXX	XT4V■3080AFF000XXX	XT4X■3080AFF000XXX
90	XT4L■3090AFF000XXX	XT4V■3090AFF000XXX	XT4X■3090AFF000XXX
100	XT4L■3100AFF000XXX	XT4V■3100AFF000XXX	XT4X■3100AFF000XXX
110	XT4L■3110AFF000XXX	XT4V■3110AFF000XXX	XT4X■3110AFF000XXX
125	XT4L■3125AFF000XXX	XT4V■3125AFF000XXX	XT4X■3125AFF000XXX
150	XT4L■3150AFF000XXX	XT4V■3150AFF000XXX	XT4X■3150AFF000XXX
175	XT4L■3175AFF000XXX	XT4V■3175AFF000XXX	XT4X■3175AFF000XXX
200	XT4L■3200AFF000XXX	XT4V■3200AFF000XXX	XT4X■3200AFF000XXX
225	XT4L■3225AFF000XXX	XT4V■3225AFF000XXX	XT4X■3225AFF000XXX
250	XT4L■3250AFF000XXX	XT4V■3250AFF000XXX	XT4X■3250AFF000XXX
Thermal Magnetic-Adjustable (TMA)			
80	XT4L■◆080BFF000XXX	XT4V■◆080BFF000XXX	XT4X■◆080BFF000XXX
90	XT4L■◆090BFF000XXX	XT4V■◆090BFF000XXX	XT4X■◆090BFF000XXX
100	XT4L■◆100BFF000XXX	XT4V■◆100BFF000XXX	XT4X■◆100BFF000XXX
110	XT4L■◆110BFF000XXX	XT4V■◆110BFF000XXX	XT4X■◆110BFF000XXX
125	XT4L■◆125BFF000XXX	XT4V■◆125BFF000XXX	XT4X■◆125BFF000XXX
150	XT4L■◆150BFF000XXX	XT4V■◆150BFF000XXX	XT4X■◆150BFF000XXX
175	XT4L■◆175BFF000XXX	XT4V■◆175BFF000XXX	XT4X■◆175BFF000XXX
200	XT4L■◆200BFF000XXX	XT4V■◆200BFF000XXX	XT4X■◆200BFF000XXX
225	XT4L■◆225BFF000XXX	XT4V■◆225BFF000XXX	XT4X■◆225BFF000XXX
250	XT4L■◆250BFF000XXX	XT4V■◆250BFF000XXX	XT4X■◆250BFF000XXX

■ U for UL 80% rated or Q for 100% rated
 ◆ 3 for 3-pole or 4 for 4-pole

Ordering codes for Tmax XT4 Circuit breakers



Tmax XT4 – circuit breaker

Distribution circuit breakers

Tmax XT, XT4, 250A Frame, Ekip DIP LS/I, LSI, LSIG, and LIG protection trip units with Front Terminals

Amps	N (25kA)		S (35kA)		H (65kA)	
	U.S. Ordering Code		U.S. Ordering Code		U.S. Ordering Code	
Ekip DIP LS/I						
40	XT4N■◆040EFF000XXX		XT4S■◆040EFF000XXX		XT4H■◆040EFF000XXX	
60	XT4N■◆060EFF000XXX		XT4S■◆060EFF000XXX		XT4H■◆060EFF000XXX	
100	XT4N■◆100EFF000XXX		XT4S■◆100EFF000XXX		XT4H■◆100EFF000XXX	
150	XT4N■◆150EFF000XXX		XT4S■◆150EFF000XXX		XT4H■◆150EFF000XXX	
225	XT4N■◆225EFF000XXX		XT4S■◆225EFF000XXX		XT4H■◆225EFF000XXX	
250	XT4N■◆250EFF000XXX		XT4S■◆250EFF000XXX		XT4H■◆250EFF000XXX	
Ekip DIP LSI						
40	XT4N■◆0401FF000XXX		XT4S■◆0401FF000XXX		XT4H■◆0401FF000XXX	
60	XT4N■◆0601FF000XXX		XT4S■◆0601FF000XXX		XT4H■◆0601FF000XXX	
100	XT4N■◆1001FF000XXX		XT4S■◆1001FF000XXX		XT4H■◆1001FF000XXX	
150	XT4N■◆1501FF000XXX		XT4S■◆1501FF000XXX		XT4H■◆1501FF000XXX	
225	XT4N■◆2251FF000XXX		XT4S■◆2251FF000XXX		XT4H■◆2251FF000XXX	
250	XT4N■◆2501FF000XXX		XT4S■◆2501FF000XXX		XT4H■◆2501FF000XXX	
Ekip DIP LSIG						
40	XT4N■◆0402FF000XXX		XT4S■◆0402FF000XXX		XT4H■◆0402FF000XXX	
60	XT4N■◆0602FF000XXX		XT4S■◆0602FF000XXX		XT4H■◆0602FF000XXX	
100	XT4N■◆1002FF000XXX		XT4S■◆1002FF000XXX		XT4H■◆1002FF000XXX	
150	XT4N■◆1502FF000XXX		XT4S■◆1502FF000XXX		XT4H■◆1502FF000XXX	
225	XT4N■◆2252FF000XXX		XT4S■◆2252FF000XXX		XT4H■◆2252FF000XXX	
250	XT4N■◆2502FF000XXX		XT4S■◆2502FF000XXX		XT4H■◆2502FF000XXX	
Ekip DIP LIG						
40	XT4N■◆040CFF000XXX		XT4S■◆040CFF000XXX		XT4H■◆040CFF000XXX	
60	XT4N■◆060CFF000XXX		XT4S■◆060CFF000XXX		XT4H■◆060CFF000XXX	
100	XT4N■◆100CFF000XXX		XT4S■◆100CFF000XXX		XT4H■◆100CFF000XXX	
150	XT4N■◆150CFF000XXX		XT4S■◆150CFF000XXX		XT4H■◆150CFF000XXX	
225	XT4N■◆225CFF000XXX		XT4S■◆225CFF000XXX		XT4H■◆225CFF000XXX	
250	XT4N■◆250CFF000XXX		XT4S■◆250CFF000XXX		XT4H■◆250CFF000XXX	

■ U for UL 80% rated or Q for 100% rated ◆ 3 for 3-pole or 4 for 4-pole

Tmax XT, XT4, 250A Frame, Ekip DIP LS/I, LSI, LSIG, and LIG protection trip units with Front Terminals

Amps	L (100kA)		V (150kA)		X (200kA)	
	U.S. Ordering Code		U.S. Ordering Code		U.S. Ordering Code	
Ekip DIP LS/I						
40	XT4L■◆040EFF000XXX		XT4V■◆040EFF000XXX		XT4X■◆040EFF000XXX	
60	XT4L■◆060EFF000XXX		XT4V■◆060EFF000XXX		XT4X■◆060EFF000XXX	
100	XT4L■◆100EFF000XXX		XT4V■◆100EFF000XXX		XT4X■◆100EFF000XXX	
150	XT4L■◆150EFF000XXX		XT4V■◆150EFF000XXX		XT4X■◆150EFF000XXX	
225	XT4L■◆225EFF000XXX		XT4V■◆225EFF000XXX		XT4X■◆225EFF000XXX	
250	XT4L■◆250EFF000XXX		XT4V■◆250EFF000XXX		XT4X■◆250EFF000XXX	
Ekip DIP LSI						
40	XT4L■◆0401FF000XXX		XT4V■◆0401FF000XXX		XT4X■◆0401FF000XXX	
60	XT4L■◆0601FF000XXX		XT4V■◆0601FF000XXX		XT4X■◆0601FF000XXX	
100	XT4L■◆1001FF000XXX		XT4V■◆1001FF000XXX		XT4X■◆1001FF000XXX	
150	XT4L■◆1501FF000XXX		XT4V■◆1501FF000XXX		XT4X■◆1501FF000XXX	
225	XT4L■◆2251FF000XXX		XT4V■◆2251FF000XXX		XT4X■◆2251FF000XXX	
250	XT4L■◆2501FF000XXX		XT4V■◆2501FF000XXX		XT4X■◆2501FF000XXX	
Ekip DIP LSIG						
40	XT4L■◆0402FF000XXX		XT4V■◆0402FF000XXX		XT4X■◆0402FF000XXX	
60	XT4L■◆0602FF000XXX		XT4V■◆0602FF000XXX		XT4X■◆0602FF000XXX	
100	XT4L■◆1002FF000XXX		XT4V■◆1002FF000XXX		XT4X■◆1002FF000XXX	
150	XT4L■◆1502FF000XXX		XT4V■◆1502FF000XXX		XT4X■◆1502FF000XXX	
225	XT4L■◆2252FF000XXX		XT4V■◆2252FF000XXX		XT4X■◆2252FF000XXX	
250	XT4L■◆2502FF000XXX		XT4V■◆2502FF000XXX		XT4X■◆2502FF000XXX	
Ekip DIP LIG						
40	XT4L■◆100CFF000XXX		XT4V■◆040CFF000XXX		XT4X■◆040CFF000XXX	
60	XT4L■◆150CFF000XXX		XT4V■◆060CFF000XXX		XT4X■◆060CFF000XXX	
100	XT4L■◆225CFF000XXX		XT4V■◆100CFF000XXX		XT4X■◆100CFF000XXX	
150	XT4L■◆250CFF000XXX		XT4V■◆150CFF000XXX		XT4X■◆150CFF000XXX	
225	XT4L■◆040CFF000XXX		XT4V■◆225CFF000XXX		XT4X■◆225CFF000XXX	
250	XT4L■◆060CFF000XXX		XT4V■◆250CFF000XXX		XT4X■◆250CFF000XXX	

■ U for UL 80% rated or Q for 100% rated ◆ 3 for 3-pole or 4 for 4-pol

Ordering codes for Tmax XT4 Circuit breakers



Tmax XT4 – circuit breaker

Distribution circuit breakers

Tmax XT, XT4, 250A Frame, Ekip TOUCH LSI and LSIG, protection trip units with Front Terminals

Amps	N (25kA)	S (35kA)	H (65kA)
	U.S. Ordering Code	U.S. Ordering Code	U.S. Ordering Code
Ekip TOUCH LSI			
100	XT4N■◆100PFF000XXX	XT4S■◆100PFF000XXX	XT4H■◆100PFF000XXX
150	XT4N■◆150PFF000XXX	XT4S■◆150PFF000XXX	XT4H■◆150PFF000XXX
225	XT4N■◆225PFF000XXX	XT4S■◆225PFF000XXX	XT4H■◆225PFF000XXX
250	XT4N■◆250PFF000XXX	XT4S■◆250PFF000XXX	XT4H■◆250PFF000XXX
Ekip TOUCH LSIG			
100	XT4N■◆100QFF000XXX	XT4S■◆100QFF000XXX	XT4H■◆100QFF000XXX
150	XT4N■◆150QFF000XXX	XT4S■◆150QFF000XXX	XT4H■◆150QFF000XXX
225	XT4N■◆225QFF000XXX	XT4S■◆225QFF000XXX	XT4H■◆225QFF000XXX
250	XT4N■◆250QFF000XXX	XT4S■◆250QFF000XXX	XT4H■◆250QFF000XXX

■ U for UL 80% rated or Q for 100% rated
◆ 3 for 3-pole or 4 for 4-pole

Tmax XT, XT4, 250A Frame, Ekip TOUCH LSI and LSIG, protection trip units with Front Terminals

Amps	L (100kA)	V (150kA)	X (200kA)
	U.S. Ordering Code	U.S. Ordering Code	U.S. Ordering Code
Ekip TOUCH LSI			
100	XT4L■◆100PFF000XXX	XT4V■◆100PFF000XXX	XT4X■◆100PFF000XXX
150	XT4L■◆150PFF000XXX	XT4V■◆150PFF000XXX	XT4X■◆150PFF000XXX
225	XT4L■◆225PFF000XXX	XT4V■◆225PFF000XXX	XT4X■◆225PFF000XXX
250	XT4L■◆250PFF000XXX	XT4V■◆250PFF000XXX	XT4X■◆250PFF000XXX
Ekip TOUCH LSIG			
100	XT4L■◆100QFF000XXX	XT4V■◆100QFF000XXX	XT4X■◆100QFF000XXX
150	XT4L■◆150QFF000XXX	XT4V■◆150QFF000XXX	XT4X■◆150QFF000XXX
225	XT4L■◆225QFF000XXX	XT4V■◆225QFF000XXX	XT4X■◆225QFF000XXX
250	XT4L■◆250QFF000XXX	XT4V■◆250QFF000XXX	XT4X■◆250QFF000XXX

■ U for UL 80% rated or Q for 100% rated
◆ 3 for 3-pole or 4 for 4-pole

Ordering codes for Tmax XT4

Circuit breakers



Tmax XT4 – circuit breaker

Distribution circuit breakers

Tmax XT, XT4, 250A Frame, Ekip TOUCH Measuring LSI and LSIG, protection trip units with Front Terminals

Amps	N (25kA)	S (35kA)	H (65kA)
	U.S. Ordering Code	U.S. Ordering Code	U.S. Ordering Code
Ekip TOUCH Measuring LSI			
100	XT4N■◆100RFF000XXX	XT4S■◆100RFF000XXX	XT4H■◆100RFF000XXX
150	XT4N■◆150RFF000XXX	XT4S■◆150RFF000XXX	XT4H■◆150RFF000XXX
225	XT4N■◆225RFF000XXX	XT4S■◆225RFF000XXX	XT4H■◆225RFF000XXX
250	XT4N■◆250RFF000XXX	XT4S■◆250RFF000XXX	XT4H■◆250RFF000XXX
Ekip TOUCH Measuring LSIG			
100	XT4N■◆100SFF000XXX	XT4S■◆100SFF000XXX	XT4H■◆100SFF000XXX
150	XT4N■◆150SFF000XXX	XT4S■◆150SFF000XXX	XT4H■◆150SFF000XXX
225	XT4N■◆225SFF000XXX	XT4S■◆225SFF000XXX	XT4H■◆225SFF000XXX
250	XT4N■◆250SFF000XXX	XT4S■◆250SFF000XXX	XT4H■◆250SFF000XXX

■ U for UL 80% rated or Q for 100% rated
◆ 3 for 3-pole or 4 for 4-pole

Tmax XT, XT4, 250A Frame, Ekip TOUCH Measuring LSI and LSIG, protection trip units with Front Terminals

Amps	L (100kA)	V (150kA)	X (200kA)
	U.S. Ordering Code	U.S. Ordering Code	U.S. Ordering Code
Ekip TOUCH Measuring LSI			
100	XT4L■◆100RFF000XXX	XT4V■◆100RFF000XXX	XT4X■◆100RFF000XXX
150	XT4L■◆150RFF000XXX	XT4V■◆150RFF000XXX	XT4X■◆150RFF000XXX
225	XT4L■◆225RFF000XXX	XT4V■◆225RFF000XXX	XT4X■◆225RFF000XXX
250	XT4L■◆250RFF000XXX	XT4V■◆250RFF000XXX	XT4X■◆250RFF000XXX
Ekip TOUCH Measuring LSIG			
100	XT4L■◆100SFF000XXX	XT4V■◆100SFF000XXX	XT4X■◆100SFF000XXX
150	XT4L■◆150SFF000XXX	XT4V■◆150SFF000XXX	XT4X■◆150SFF000XXX
225	XT4L■◆225SFF000XXX	XT4V■◆225SFF000XXX	XT4X■◆225SFF000XXX
250	XT4L■◆250SFF000XXX	XT4V■◆250SFF000XXX	XT4X■◆250SFF000XXX

■ U for UL 80% rated or Q for 100% rated
◆ 3 for 3-pole or 4 for 4-pole

Ordering codes for Tmax XT4 Circuit breakers



Tmax XT4 – circuit breaker

Distribution circuit breakers

Tmax XT, XT4, 250A Frame, Ekip HI-TOUCH LSI and LSIG, protection trip units with Front Terminals

Amps	N (25kA)	S (35kA)	H (65kA)
	U.S. Ordering Code	U.S. Ordering Code	U.S. Ordering Code
Ekip HI-TOUCH LSI			
100	XT4N■◆100TFF000XXX	XT4S■◆100TFF000XXX	XT4H■◆100TFF000XXX
150	XT4N■◆150TFF000XXX	XT4S■◆150TFF000XXX	XT4H■◆150TFF000XXX
225	XT4N■◆225TFF000XXX	XT4S■◆225TFF000XXX	XT4H■◆225TFF000XXX
250	XT4N■◆250TFF000XXX	XT4S■◆250TFF000XXX	XT4H■◆250TFF000XXX
Ekip HI-TOUCH LSIG			
100	XT4N■◆100UFF000XXX	XT4S■◆100UFF000XXX	XT4H■◆100UFF000XXX
150	XT4N■◆150UFF000XXX	XT4S■◆150UFF000XXX	XT4H■◆150UFF000XXX
225	XT4N■◆225UFF000XXX	XT4S■◆225UFF000XXX	XT4H■◆225UFF000XXX
250	XT4N■◆250UFF000XXX	XT4S■◆250UFF000XXX	XT4H■◆250UFF000XXX

■ U for UL 80% rated or Q for 100% rated
◆ 3 for 3-pole or 4 for 4-pole

Tmax XT, XT4, 250A Frame, Ekip HI-TOUCH LSI and LSIG, protection trip units with Front Terminals

Amps	L (100kA)	V (150kA)	X (200kA)
	U.S. Ordering Code	U.S. Ordering Code	U.S. Ordering Code
Ekip HI-TOUCH LSI			
100	XT4L■◆100TFF000XXX	XT4V■◆100TFF000XXX	XT4X■◆100TFF000XXX
150	XT4L■◆150TFF000XXX	XT4V■◆150TFF000XXX	XT4X■◆150TFF000XXX
225	XT4L■◆225TFF000XXX	XT4V■◆225TFF000XXX	XT4X■◆225TFF000XXX
250	XT4L■◆250TFF000XXX	XT4V■◆250TFF000XXX	XT4X■◆250TFF000XXX
Ekip HI-TOUCH LSIG			
100	XT4L■◆100UFF000XXX	XT4V■◆100UFF000XXX	XT4X■◆100UFF000XXX
150	XT4L■◆150UFF000XXX	XT4V■◆150UFF000XXX	XT4X■◆150UFF000XXX
225	XT4L■◆225UFF000XXX	XT4V■◆225UFF000XXX	XT4X■◆225UFF000XXX
250	XT4L■◆250UFF000XXX	XT4V■◆250UFF000XXX	XT4X■◆250UFF000XXX

■ U for UL 80% rated or Q for 100% rated
◆ 3 for 3-pole or 4 for 4-pole

Ordering codes for Tmax XT4

Circuit breakers



Tmax XT4 – circuit breaker

Motor protection circuit breaker (MPCB)

Tmax XT, XT4, 250A Frame, Ekip M-LIU trip unit, front terminals (F)

Amps	H (65kA)	L (100kA)	V (150kA)	X (200kA)
	3-pole	3-pole	3-pole	3-pole
	U.S. Ordering Code	U.S. Ordering Code	U.S. Ordering Code	U.S. Ordering Code
40	XT4H■3040LFF000XXX	XT4L■3040LFF000XXX	XT4V■3040LFF000XXX	XT4X■3040LFF000XXX
60	XT4H■3060LFF000XXX	XT4L■3060LFF000XXX	XT4V■3060LFF000XXX	XT4X■3060LFF000XXX
100	XT4H■3100LFF000XXX	XT4L■3100LFF000XXX	XT4V■3100LFF000XXX	XT4X■3100LFF000XXX
150	XT4H■3150LFF000XXX	XT4L■3150LFF000XXX	XT4V■3150LFF000XXX	XT4X■3150LFF000XXX

■ U for UL 80% rated or Q for 100% rated

Motor protection circuit breaker (MPCB)

Tmax XT, XT4, 250A Frame, EkipM Touch LRIU front terminals (F)

Amps	S (35kA)	H (65kA)	L (100kA)
	3-pole	3-pole	3-pole
	U.S. Ordering Code	U.S. Ordering Code	U.S. Ordering Code
100	XT4SQ3100WFF000XXX	XT4H■3100WFF000XXX	XT4L■3100WFF000XXX
150	XT4SQ3150WFF000XXX	XT4H■3150WFF000XXX	XT4L■3150WFF000XXX
225	XT4SQ3225WFF000XXX	XT4H■3225WFF000XXX	XT4L■3225WFF000XXX

■ U for UL 80% rated or Q for 100% rated

Amps	V (150kA)	X (200kA)
	3-pole	3-pole
	U.S. Ordering Code	U.S. Ordering Code
100	XT4V■3100WFF000XXX	XT4X■3100WFF000XXX
150	XT4V■3150WFF000XXX	XT4X■3150WFF000XXX
225	XT4V■3225WFF000XXX	XT4X■3225WFF000XXX

■ U for UL 80% rated or Q for 100% rated

Motor circuit protector (MCP)

Tmax XT, XT4 250A Frame MA trip unit front terminals (F)

Amps	H (65kA)	L (100kA)
	3-pole	3-pole
	U.S. Ordering Code	U.S. Ordering Code
25	XT4HU3025MFF000XXX	XT4LU3025MFF000XXX
50	XT4HU3050MFF000XXX	XT4LU3050MFF000XXX
80	XT4HU3080MFF000XXX	XT4LU3080MFF000XXX
100	XT4HU3100MFF000XXX	XT4LU3100MFF000XXX
110	XT4HU3110MFF000XXX	XT4LU3110MFF000XXX
125	XT4HU3125MFF000XXX	XT4LU3125MFF000XXX
150	XT4HU3150MFF000XXX	XT4LU3150MFF000XXX
175	XT4HU3175MFF000XXX	XT4LU3175MFF000XXX
200	XT4HU3200MFF000XXX	XT4LU3200MFF000XXX
225	XT4HU3225MFF000XXX	XT4LU3225MFF000XXX
250	XT4HU3250MFF000XXX	XT4LU3250MFF000XXX

■ U for UL 80% rated or Q for 100% rated

Ordering codes for Tmax XT4

Circuit breakers



Tmax XT4 – circuit breaker

Motor protection circuit breaker (MPCB)

Tmax XT, XT4, 250A Frame, Ekip I front terminals (F)

Amps	H (65kA)	L (100kA)	V (150kA)	X (200kA)
	3-pole	3-pole	3-pole	3-pole
	U.S. Ordering Code	U.S. Ordering Code	U.S. Ordering Code	U.S. Ordering Code
40	XT4HU3040JFF000XXX	XT4LU3040JFF000XXX	XT4VU3040JFF000XXX	XT4XU3040JFF000XXX
60	XT4HU3060JFF000XXX	XT4LU3060JFF000XXX	XT4VU3060JFF000XXX	XT4XU3060JFF000XXX
100	XT4HU3100JFF000XXX	XT4LU3100JFF000XXX	XT4VU3100JFF000XXX	XT4XU3100JFF000XXX
150	XT4HU3150JFF000XXX	XT4LU3150JFF000XXX	XT4VU3150JFF000XXX	XT4XU3150JFF000XXX
225	XT4HU3225JFF000XXX	XT4LU3225JFF000XXX	XT4VU3225JFF000XXX	XT4XU3225JFF000XXX
250	XT4HU3250JFF000XXX	XT4LU3250JFF000XXX	XT4VU3250JFF000XXX	XT4XU3250JFF000XXX

Molded case switches

Tmax XT XT3D, 225A Frame MCS

Iu	Type	U.S. Ordering Code
150	XT4N-D 150	XT4NU◆150DFF000XXX
	XT4S-D 150	XT4SU◆150DFF000XXX
	XT4H-D 150	XT4HU◆150DFF000XXX
	XT4L-D 150	XT4LU◆150DFF000XXX
	XT4V-D 150	XT4VU◆150DFF000XXX
250	XT4N-D 250	XT4NU◆250DFF000XXX
	XT4S-D 250	XT4SU◆250DFF000XXX
	XT4H-D 250	XT4HU◆250DFF000XXX
	XT4L-D 250	XT4LU◆250DFF000XXX
	XT4V-D 250	XT4VU◆250DFF000XXX

◆ 3 for 3-pole or 4 for 4-pole

Ordering codes for Tmax XT5 Circuit breakers



Tmax XT5 – circuit breaker

Distribution circuit breakers

Tmax XT, XT5, Thermal Magnetic-Adjustable (TMA) Protection with Front Terminals

Frame Size	Amps	N (35kA)	S (50kA)	H (65kA)
		U.S. Ordering Code	U.S. Ordering Code	U.S. Ordering Code
400	300	XT5N■◆30ABFF000XXX	XT5S■◆30ABFF000XXX	XT5H■◆30ABFF000XXX
	400	XT5N■◆40ABFF000XXX	XT5S■◆40ABFF000XXX	XT5H■◆40ABFF000XXX
600	500	XT5N■◆50BBFF000XXX	XT5S■◆50BBFF000XXX	XT5H■◆50BBFF000XXX
	600	XT5N■◆60BBFF000XXX	XT5S■◆60BBFF000XXX	XT5H■◆60BBFF000XXX

■ U for UL 80% rated or Q for 100% rated

◆ 3 for 3-pole or 4 for 4-pole

Tmax XT, XT5, Thermal Magnetic-Adjustable (TMA) Protection with Front Terminals

Frame Size	Amps	L (100kA)	V (150kA)	X (200kA)
		U.S. Ordering Code	U.S. Ordering Code	U.S. Ordering Code
400	300	XT5L■◆30ABFF000XXX	XT5V■◆30ABFF000XXX	XT5X■◆30ABFF000XXX
	400	XT5L■◆40ABFF000XXX	XT5V■◆40ABFF000XXX	XT5X■◆40ABFF000XXX
600	500	XT5L■◆50BBFF000XXX	XT5V■◆50BBFF000XXX	XT5X■◆50BBFF000XXX
	600	XT5L■◆60BBFF000XXX	XT5V■◆60BBFF000XXX	XT5X■◆60BBFF000XXX

■ U for UL 80% rated or Q for 100% rated

◆ 3 for 3-pole or 4 for 4-pole

Ordering codes for Tmax XT5 Circuit breakers



Tmax XT5 – circuit breaker

Distribution circuit breakers

Tmax XT, XT5 Ekip DIP LS/I, LSI, LSIG, and LIG protection trip units with Front Terminals

Frame Size	Amps	N (35kA)	S (50kA)	H (65kA)
		U.S. Ordering Code	U.S. Ordering Code	U.S. Ordering Code
Ekip DIP LS/I				
400	250	XT5N■◆25AEFF000XXX	XT5S■◆25AEFF000XXX	XT5H■◆25AEFF000XXX
	300	XT5N■◆30AEFF000XXX	XT5S■◆30AEFF000XXX	XT5H■◆30AEFF000XXX
	400	XT5N■◆40AEFF000XXX	XT5S■◆40AEFF000XXX	XT5H■◆40AEFF000XXX
600	600	XT5N■◆60BEFF000XXX	XT5S■◆60BEFF000XXX	XT5H■◆60BEFF000XXX
Ekip DIP LSI				
400	250	XT5N■◆25AFF000XXX	XT5S■◆25AFF000XXX	XT5H■◆25AFF000XXX
	300	XT5N■◆30AFF000XXX	XT5S■◆30AFF000XXX	XT5H■◆30AFF000XXX
	400	XT5N■◆40AFF000XXX	XT5S■◆40AFF000XXX	XT5H■◆40AFF000XXX
600	600	XT5N■◆60BFFF000XXX	XT5S■◆60BFFF000XXX	XT5H■◆60BFFF000XXX
Ekip DIP LSIG				
400	250	XT5N■◆25AGFF000XXX	XT5S■◆25AGFF000XXX	XT5H■◆25AGFF000XXX
	300	XT5N■◆30AGFF000XXX	XT5S■◆30AGFF000XXX	XT5H■◆30AGFF000XXX
	400	XT5N■◆40AGFF000XXX	XT5S■◆40AGFF000XXX	XT5H■◆40AGFF000XXX
600	600	XT5N■◆60BGFF000XXX	XT5S■◆60BGFF000XXX	XT5H■◆60BGFF000XXX
Ekip DIP LIG				
400	250	XT5N■◆25ACFF000XXX	XT5S■◆25ACFF000XXX	XT5H■◆25ACFF000XXX
	300	XT5N■◆30ACFF000XXX	XT5S■◆30ACFF000XXX	XT5H■◆30ACFF000XXX
	400	XT5N■◆40ACFF000XXX	XT5S■◆40ACFF000XXX	XT5H■◆40ACFF000XXX
600	600	XT5N■◆60BCFF000XXX	XT5S■◆60BCFF000XXX	XT5H■◆60BCFF000XXX

■ U for UL 80% rated or Q for 100% rated
◆ 3 for 3-pole or 4 for 4-pole

Tmax XT, XT5 Ekip DIP LS/I, LSI, LSIG, and LIG protection trip units with Front Terminals

Frame Size	Amps	L (100kA)	V (150kA)	X (200kA)
		U.S. Ordering Code	U.S. Ordering Code	U.S. Ordering Code
Ekip DIP LS/I				
400	250	XT5L■◆25AEFF000XXX	XT5V■◆25AEFF000XXX	XT5X■◆25AEFF000XXX
	300	XT5L■◆30AEFF000XXX	XT5V■◆30AEFF000XXX	XT5X■◆30AEFF000XXX
	400	XT5L■◆40AEFF000XXX	XT5V■◆40AEFF000XXX	XT5X■◆40AEFF000XXX
600	600	XT5L■◆60BEFF000XXX	XT5V■◆60BEFF000XXX	XT5X■◆60BEFF000XXX
Ekip DIP LSI				
400	250	XT5L■◆25AFF000XXX	XT5V■◆25AFF000XXX	XT5X■◆25AFF000XXX
	300	XT5L■◆30AFF000XXX	XT5V■◆30AFF000XXX	XT5X■◆30AFF000XXX
	400	XT5L■◆40AFF000XXX	XT5V■◆40AFF000XXX	XT5X■◆40AFF000XXX
600	600	XT5L■◆60BFFF000XXX	XT5V■◆60BFFF000XXX	XT5X■◆60BFFF000XXX
Ekip DIP LSIG				
400	250	XT5L■◆25AGFF000XXX	XT5V■◆25AGFF000XXX	XT5X■◆25AGFF000XXX
	300	XT5L■◆30AGFF000XXX	XT5V■◆30AGFF000XXX	XT5X■◆30AGFF000XXX
	400	XT5L■◆40AGFF000XXX	XT5V■◆40AGFF000XXX	XT5X■◆40AGFF000XXX
600	600	XT5L■◆60BGFF000XXX	XT5V■◆60BGFF000XXX	XT5X■◆60BGFF000XXX
Ekip DIP LIG				
400	250	XT5L■◆25ACFF000XXX	XT5V■◆25ACFF000XXX	XT5X■◆25ACFF000XXX
	300	XT5L■◆30ACFF000XXX	XT5V■◆30ACFF000XXX	XT5X■◆30ACFF000XXX
	400	XT5L■◆40ACFF000XXX	XT5V■◆40ACFF000XXX	XT5X■◆40ACFF000XXX
600	600	XT5L■◆60BCFF000XXX	XT5V■◆60BCFF000XXX	XT5X■◆60BCFF000XXX

■ U for UL 80% rated or Q for 100% rated
◆ 3 for 3-pole or 4 for 4-pole

Ordering codes for Tmax XT5 Circuit breakers



Tmax XT5 – circuit breaker

Distribution circuit breakers

Tmax XT, XT5 Ekip TOUCH LSI and LSIg, protection trip units with Front Terminals

Frame Size	Amps	N (35kA)	S (50kA)	H (65kA)
		U.S. Ordering Code	U.S. Ordering Code	U.S. Ordering Code
Ekip TOUCH LSI				
400	250	XT5N■◆25APFF000XXX	XT5S■◆25APFF000XXX	XT5H■◆25APFF000XXX
	300	XT5N■◆30APFF000XXX	XT5S■◆30APFF000XXX	XT5H■◆30APFF000XXX
	400	XT5N■◆40APFF000XXX	XT5S■◆40APFF000XXX	XT5H■◆40APFF000XXX
600	600	XT5N■◆60BPFF000XXX	XT5S■◆60BPFF000XXX	XT5H■◆60BPFF000XXX
Ekip TOUCH LSIg				
400	250	XT5N■◆25AQFF000XXX	XT5S■◆25AQFF000XXX	XT5H■◆25AQFF000XXX
	300	XT5N■◆30AQFF000XXX	XT5S■◆30AQFF000XXX	XT5H■◆30AQFF000XXX
	400	XT5N■◆40AQFF000XXX	XT5S■◆40AQFF000XXX	XT5H■◆40AQFF000XXX
600	600	XT5N■◆60BQFF000XXX	XT5S■◆60BQFF000XXX	XT5H■◆60BQFF000XXX

■ U for UL 80% rated or Q for 100% rated
◆ 3 for 3-pole or 4 for 4-pole

Tmax XT, XT5 Ekip TOUCH LSI and LSIg, protection trip units with Front Terminals

Frame Size	Amps	L (100kA)	V (150kA)	X (200kA)
		U.S. Ordering Code	U.S. Ordering Code	U.S. Ordering Code
Ekip TOUCH LSI				
400	250	XT5L■◆25APFF000XXX	XT5V■◆25APFF000XXX	XT5X■◆25APFF000XXX
	300	XT5L■◆30APFF000XXX	XT5V■◆30APFF000XXX	XT5X■◆30APFF000XXX
	400	XT5L■◆40APFF000XXX	XT5V■◆40APFF000XXX	XT5X■◆40APFF000XXX
600	600	XT5L■◆60BPFF000XXX	XT5V■◆60BPFF000XXX	XT5X■◆60BPFF000XXX
Ekip TOUCH LSIg				
400	250	XT5L■◆25AQFF000XXX	XT5V■◆25AQFF000XXX	XT5X■◆25AQFF000XXX
	300	XT5L■◆30AQFF000XXX	XT5V■◆30AQFF000XXX	XT5X■◆30AQFF000XXX
	400	XT5L■◆40AQFF000XXX	XT5V■◆40AQFF000XXX	XT5X■◆40AQFF000XXX
600	600	XT5L■◆60BQFF000XXX	XT5V■◆60BQFF000XXX	XT5X■◆60BQFF000XXX

■ U for UL 80% rated or Q for 100% rated
◆ 3 for 3-pole or 4 for 4-pole

Ordering codes for Tmax XT5 Circuit breakers



Tmax XT5 – circuit breaker

Distribution circuit breakers

Tmax XT, XT5 Ekip TOUCH Measuring LSI and LSIG, protection trip units with Front Terminals

Frame Size	Amps	N (35kA)	S (50kA)	H (65kA)
		U.S. Ordering Code	U.S. Ordering Code	U.S. Ordering Code
Ekip TOUCH Measuring LSI				
400	250	XT5N■◆25ARFF000XXX	XT5S■◆25ARFF000XXX	XT5H■◆25ARFF000XXX
	300	XT5N■◆30ARFF000XXX	XT5S■◆30ARFF000XXX	XT5H■◆30ARFF000XXX
	400	XT5N■◆40ARFF000XXX	XT5S■◆40ARFF000XXX	XT5H■◆40ARFF000XXX
600	600	XT5N■◆60BRFF000XXX	XT5S■◆60BRFF000XXX	XT5H■◆60BRFF000XXX
Ekip TOUCH Measuring LSIG				
400	250	XT5N■◆25ASFF000XXX	XT5S■◆25ASFF000XXX	XT5H■◆25ASFF000XXX
	300	XT5N■◆30ASFF000XXX	XT5S■◆30ASFF000XXX	XT5H■◆30ASFF000XXX
	400	XT5N■◆40ASFF000XXX	XT5S■◆40ASFF000XXX	XT5H■◆40ASFF000XXX
600	600	XT5N■◆60BSFF000XXX	XT5S■◆60BSFF000XXX	XT5H■◆60BSFF000XXX

■ U for UL 80% rated or Q for 100% rated
◆ 3 for 3-pole or 4 for 4-pole

Tmax XT, XT5 Ekip TOUCH Measuring LSI and LSIG, protection trip units with Front Terminals

Frame Size	Amps	L (100kA)	V (150kA)	X (200kA)
		U.S. Ordering Code	U.S. Ordering Code	U.S. Ordering Code
Ekip TOUCH Measuring LSI				
400	250	XT5L■◆25ARFF000XXX	XT5V■◆25ARFF000XXX	XT5X■◆25ARFF000XXX
	300	XT5L■◆30ARFF000XXX	XT5V■◆30ARFF000XXX	XT5X■◆30ARFF000XXX
	400	XT5L■◆40ARFF000XXX	XT5V■◆40ARFF000XXX	XT5X■◆40ARFF000XXX
600	600	XT5L■◆60BRFF000XXX	XT5V■◆60BRFF000XXX	XT5X■◆60BRFF000XXX
Ekip TOUCH Measuring LSIG				
400	250	XT5L■◆25ASFF000XXX	XT5V■◆25ASFF000XXX	XT5X■◆25ASFF000XXX
	300	XT5L■◆30ASFF000XXX	XT5V■◆30ASFF000XXX	XT5X■◆30ASFF000XXX
	400	XT5L■◆40ASFF000XXX	XT5V■◆40ASFF000XXX	XT5X■◆40ASFF000XXX
600	600	XT5L■◆60BSFF000XXX	XT5V■◆60BSFF000XXX	XT5X■◆60BSFF000XXX

■ U for UL 80% rated or Q for 100% rated
◆ 3 for 3-pole or 4 for 4-pole

Ordering codes for Tmax XT5 Circuit breakers



Tmax XT5 – circuit breaker

Distribution circuit breakers

Tmax XT, XT5 Ekip HI-TOUCH LSI and LSIG, protection trip units with Front Terminals

Frame Size	Amps	N (35kA)	S (50kA)	H (65kA)
		U.S. Ordering Code	U.S. Ordering Code	U.S. Ordering Code
Ekip HI-TOUCH LSI				
400	250	XT5N■◆25ATFF000XXX	XT5S■◆25ATFF000XXX	XT5H■◆25ATFF000XXX
	300	XT5N■◆30ATFF000XXX	XT5S■◆30ATFF000XXX	XT5H■◆30ATFF000XXX
	400	XT5N■◆40ATFF000XXX	XT5S■◆40ATFF000XXX	XT5H■◆40ATFF000XXX
600	600	XT5N■◆60BTFF000XXX	XT5S■◆60BTFF000XXX	XT5H■◆60BTFF000XXX
Ekip HI-TOUCH LSIG				
400	250	XT5N■◆25AUFF000XXX	XT5S■◆25AUFF000XXX	XT5H■◆25AUFF000XXX
	300	XT5N■◆30AUFF000XXX	XT5S■◆30AUFF000XXX	XT5H■◆30AUFF000XXX
	400	XT5N■◆40AUFF000XXX	XT5S■◆40AUFF000XXX	XT5H■◆40AUFF000XXX
600	600	XT5N■◆60BUFF000XXX	XT5S■◆60BUFF000XXX	XT5H■◆60BUFF000XXX

■ U for UL 80% rated or Q for 100% rated
◆ 3 for 3-pole or 4 for 4-pole

Tmax XT, XT5 Ekip HI-TOUCH LSI and LSIG, protection trip units with Front Terminals

Frame Size	Amps	L (100kA)	V (150kA)	X (200kA)
		U.S. Ordering Code	U.S. Ordering Code	U.S. Ordering Code
Ekip HI-TOUCH LSI				
400	250	XT5L■◆25ATFF000XXX	XT5V■◆25ATFF000XXX	XT5X■◆25ATFF000XXX
	300	XT5L■◆30ATFF000XXX	XT5V■◆30ATFF000XXX	XT5X■◆30ATFF000XXX
	400	XT5L■◆40ATFF000XXX	XT5V■◆40ATFF000XXX	XT5X■◆40ATFF000XXX
600	600	XT5L■◆60BTFF000XXX	XT5V■◆60BTFF000XXX	XT5X■◆60BTFF000XXX
Ekip HI-TOUCH LSIG				
400	250	XT5L■◆25AUFF000XXX	XT5V■◆25AUFF000XXX	XT5X■◆25AUFF000XXX
	300	XT5L■◆30AUFF000XXX	XT5V■◆30AUFF000XXX	XT5X■◆30AUFF000XXX
	400	XT5L■◆40AUFF000XXX	XT5V■◆40AUFF000XXX	XT5X■◆40AUFF000XXX
600	600	XT5L■◆60BUFF000XXX	XT5V■◆60BUFF000XXX	XT5X■◆60BUFF000XXX

■ U for UL 80% rated or Q for 100% rated
◆ 3 for 3-pole or 4 for 4-pole

Ordering codes for Tmax XT5 Circuit breakers



Tmax XT5 – circuit breaker

Motor protection circuit breaker (MPCB)

Tmax XT, XT5 Ekip M-LIU trip unit, front terminals (F)

Frame Size	Amps	N (35kA)	S (50kA)	H (65kA)
		3-pole	3-pole	3-pole
		U.S. Ordering Code	U.S. Ordering Code	U.S. Ordering Code
400	250	XT5N■325ALFF000XXX	XT5S■325ALFF000XXX	XT5H■325ALFF000XXX
	300	XT5N■330ALFF000XXX	XT5S■330ALFF000XXX	XT5H■330ALFF000XXX
	400	XT5N■340ALFF000XXX	XT5S■340ALFF000XXX	XT5H■340ALFF000XXX
600	500	XT5N■350BLFF000XXX	XT5S■350BLFF000XXX	XT5H■350BLFF000XXX

■ U for UL 80% rated or Q for 100% rated

Tmax XT, XT5 Ekip M-LIU trip unit, front terminals (F)

Frame Size	Amps	L (100kA)	V (150kA)	X (200kA)
		3-pole	3-pole	3-pole
		U.S. Ordering Code	U.S. Ordering Code	U.S. Ordering Code
400	250	XT5L■325ALFF000XXX	XT5V■325ALFF000XXX	XT5X■325ALFF000XXX
	300	XT5L■330ALFF000XXX	XT5V■330ALFF000XXX	XT5X■330ALFF000XXX
	400	XT5L■340ALFF000XXX	XT5V■340ALFF000XXX	XT5X■340ALFF000XXX
600	500	XT5L■350BLFF000XXX	XT5VU350BLFF000XXX	XT5XU350BLFF000XXX

■ U for UL 80% rated or Q for 100% rated

Motor protection circuit breaker (MPCB)

Tmax XT, XT5 Ekip M Touch LRIU trip unit, front terminals (F)

Frame Size	Amps	N (35kA)	S (50kA)	H (65kA)
		3-pole	3-pole	3-pole
		U.S. Ordering Code	U.S. Ordering Code	U.S. Ordering Code
400	250	XT5N■325AWFF000XXX	XT5S■325AWFF000XXX	XT5H■325AWFF000XXX
	300	XT5N■330AWFF000XXX	XT5S■330AWFF000XXX	XT5H■330AWFF000XXX
	400	XT5N■340AWFF000XXX	XT5S■340AWFF000XXX	XT5H■340AWFF000XXX
600	500	XT5N■350BWFF000XXX	XT5S■350BWFF000XXX	XT5H■350BWFF000XXX

■ U for UL 80% rated or Q for 100% rated

Tmax XT, XT5 Ekip M Touch LRIU trip unit, front terminals (F)

Frame Size	Amps	L (100kA)	V (150kA)	X (200kA)
		3-pole	3-pole	3-pole
		U.S. Ordering Code	U.S. Ordering Code	U.S. Ordering Code
400	250	XT5L■325AWFF000XXX	XT5V■325AWFF000XXX	XT5X■325AWFF000XXX
	300	XT5L■330AWFF000XXX	XT5V■330AWFF000XXX	XT5X■330AWFF000XXX
	400	XT5L■340AWFF000XXX	XT5V■340AWFF000XXX	XT5X■340AWFF000XXX
600	500	XT5L■350BWFF000XXX	XT5VU350BWFF000XXX	XT5XU350BWFF000XXX

■ U for UL 80% rated or Q for 100% rated

Ordering codes for Tmax XT5

Circuit breakers



Tmax XT5 – circuit breaker

Motor circuit protector (MCP)

Tmax XT, XT5 MA trip unit front terminals (F)

Frame Size	Amps	N (35kA)	S (50kA)	H (65kA)
		3-pole	3-pole	3-pole
		U.S. Ordering Code	U.S. Ordering Code	U.S. Ordering Code
400	300	XT5NU330AMFF000XXX	XT5SU330AMFF000XXX	XT5HU330AMFF000XXX
	400	XT5NU340AMFF000XXX	XT5SU340AMFF000XXX	XT5HU340AMFF000XXX
600	500	XT5NU350BMFF000XXX	XT5SU350AMFF000XXX	XT5HU350BMFF000XXX

Tmax XT, XT5 MA trip unit front terminals (F)

Frame Size	Amps	L (100kA)	V (150kA)	X (200kA)
		3-pole	3-pole	3-pole
		U.S. Ordering Code	U.S. Ordering Code	U.S. Ordering Code
400	300	XT5LU330AMFF000XXX	XT5VU330AMFF000XXX	XT5XU330AMFF000XXX
	400	XT5LU340AMFF000XXX	XT5VU340AMFF000XXX	XT5XU340AMFF000XXX
600	500	XT5LU350BMFF000XXX	XT5VU350BMFF000XXX	XT5XU350BMFF000XXX

Motor circuit protector (MCP)

Tmax XT, XT5 Ekip M I trip unit front terminals (F)

Frame Size	Amps	N (35kA)	S (50kA)	H (65kA)
		3-pole	3-pole	3-pole
		U.S. Ordering Code	U.S. Ordering Code	U.S. Ordering Code
400	250	XT5NU325AKFF000XXX	XT5S■325AKFF000XXX	XT5H■325AKFF000XXX
	300	XT5NU330AKFF000XXX	XT5S■330AKFF000XXX	XT5H■330AKFF000XXX
	400	XT5NU340AKFF000XXX	XT5S■340AKFF000XXX	XT5H■340AKFF000XXX
600	500	XT5NU350BKFF000XXX	XT5S■350BKFF000XXX	XT5H■350BKFF000XXX

■ U for UL 80% rated or Q for 100% rated

Tmax XT, XT5 Ekip M I trip unit front terminals (F)

Frame Size	Amps	L (100kA)	V (150kA)	X (200kA)
		3-pole	3-pole	3-pole
		U.S. Ordering Code	U.S. Ordering Code	U.S. Ordering Code
400	250	XT5L■325AKFF000XXX	XT5V■325AKFF000XXX	XT5X■325AKFF000XXX
	300	XT5L■330AKFF000XXX	XT5V■330AKFF000XXX	XT5X■330AKFF000XXX
	400	XT5L■340AKFF000XXX	XT5V■340AKFF000XXX	XT5X■340AKFF000XXX
600	500	XT5L■350BKFF000XXX	XT5V■350BKFF000XXX	XT5X■350BKFF000XXX

■ U for UL 80% rated or Q for 100% rated

Ordering codes for Tmax XT5 Circuit breakers



Tmax XT5 – circuit breaker

Generator protection circuit breaker

Tmax XT, XT5 TMG trip unit front terminals (F)

Frame Size	Amps	N (35kA)	S (50kA)	H (65kA)
		U.S. Ordering Code	U.S. Ordering Code	U.S. Ordering Code
400	300	XT5N■◆30ANFF000XXX	XT5S■◆30ANFF000XXX	XT5H■◆30ANFF000XXX
	400	XT5N■◆40ANFF000XXX	XT5S■◆40ANFF000XXX	XT5H■◆40ANFF000XXX
600	500	XT5N■◆50BNFF000XXX	XT5S■◆50BNFF000XXX	XT5H■◆50BNFF000XXX
	600	XT5N■◆60BNFF000XXX	XT5S■◆60BNFF000XXX	XT5H■◆60BNFF000XXX

■ U for UL 80% rated or Q for 100% rated
◆ 3 for 3-pole or 4 for 4-pole

Tmax XT, XT5 TMG trip unit front terminals (F)

Frame Size	Amps	L (100kA)	V (150kA)	X (200kA)
		U.S. Ordering Code	U.S. Ordering Code	U.S. Ordering Code
400	300	XT5L■◆30ANFF000XXX	XT5V■◆30ANFF000XXX	XT5X■◆30ANFF000XXX
	400	XT5L■◆40ANFF000XXX	XT5V■◆40ANFF000XXX	XT5X■◆40ANFF000XXX
600	500	–	–	–
	600	XT5L■◆60BNFF000XXX	XT5VU■◆60BNFF000XXX	XT5XU■◆60BNFF000XXX

■ U for UL 80% rated or Q for 100% rated
◆ 3 for 3-pole or 4 for 4-pole

Generator protection circuit breaker

Tmax XT, XT5 Ekip G LS/I trip unit front terminals (F)

Frame Size	Amps	N (35kA)	S (50kA)	H (65kA)
		U.S. Ordering Code	U.S. Ordering Code	U.S. Ordering Code
400	250	XT5N■◆25AXFF000XXX	XT5S■◆25AXFF000XXX	XT5H■◆25AXFF000XXX
	300	XT5N■◆30AXFF000XXX	XT5S■◆30AXFF000XXX	XT5H■◆30AXFF000XXX
	400	XT5N■◆40AXFF000XXX	XT5S■◆40AXFF000XXX	XT5H■◆40AXFF000XXX
600	600	XT5N■◆60BXFF000XXX	XT5S■◆60BXFF000XXX	XT5H■◆60BXFF000XXX

■ U for UL 80% rated or Q for 100% rated
◆ 3 for 3-pole or 4 for 4-pole

Tmax XT, XT5 Ekip G LS/I trip unit front terminals (F)

Frame Size	Amps	L (100kA)	V (150kA)	X (200kA)
		U.S. Ordering Code	U.S. Ordering Code	U.S. Ordering Code
400	250	XT5L■◆25AXFF000XXX	XT5V■◆25AXFF000XXX	XT5X■◆25AXFF000XXX
	300	XT5L■◆30AXFF000XXX	XT5V■◆30AXFF000XXX	XT5X■◆30AXFF000XXX
	400	XT5L■◆40AXFF000XXX	XT5V■◆40AXFF000XXX	XT5X■◆40AXFF000XXX
600	600	XT5L■◆60BXFF000XXX	XT5VU■◆60BXFF000XXX	XT5XU■◆60BXFF000XXX

■ U for UL 80% rated or Q for 100% rated
◆ 3 for 3-pole or 4 for 4-pole

Ordering codes for Tmax XT5 Circuit breakers



Tmax XT5 – circuit breaker

Generator protection circuit breaker

Tmax XT, XT5 Ekip G Touch LSIg trip unit front terminals (F)

Frame Size	Amps	N (35kA)	S (50kA)	H (65kA)
		U.S. Ordering Code	U.S. Ordering Code	U.S. Ordering Code
400	250	XT5N■◆25AYFF000XXX	XT5S■◆25AYFF000XXX	XT5H■◆25AYFF000XXX
	300	XT5N■◆30AYFF000XXX	XT5S■◆30AYFF000XXX	XT5H■◆30AYFF000XXX
	400	XT5N■◆40AYFF000XXX	XT5S■◆40AYFF000XXX	XT5H■◆40AYFF000XXX
600	600	XT5N■◆60BYFF000XXX	XT5S■◆60BYFF000XXX	XT5H■◆60BYFF000XXX

- U for UL 80% rated or Q for 100% rated
- ◆ 3 for 3-pole or 4 for 4-pole

Tmax XT, XT5 Ekip G Touch LSIg trip unit front terminals (F)

Frame Size	Amps	L (100kA)	V (150kA)	X (200kA)
		U.S. Ordering Code	U.S. Ordering Code	U.S. Ordering Code
400	250	XT5L■◆25AYFF000XXX	XT5V■◆25AYFF000XXX	XT5X■◆25AYFF000XXX
	300	XT5L■◆30AYFF000XXX	XT5V■◆30AYFF000XXX	XT5X■◆30AYFF000XXX
	400	XT5L■◆40AYFF000XXX	XT5V■◆40AYFF000XXX	XT5X■◆40AYFF000XXX
600	600	XT5L■◆60BYFF000XXX	XT5VU■◆60BYFF000XXX	XT5XU■◆60BYFF000XXX

- U for UL 80% rated or Q for 100% rated
- ◆ 3 for 3-pole or 4 for 4-pole

Generator protection circuit breaker

Tmax XT, XT5 Ekip G Hi Touch LSIg trip unit front terminals (F)

Frame Size	Amps	N (35kA)	S (50kA)	H (65kA)
		U.S. Ordering Code	U.S. Ordering Code	U.S. Ordering Code
400	250	XT5N■◆25AZFF000XXX	XT5S■◆25AZFF000XXX	XT5H■◆25AZFF000XXX
	300	XT5N■◆30AZFF000XXX	XT5S■◆30AZFF000XXX	XT5H■◆30AZFF000XXX
	400	XT5N■◆40AZFF000XXX	XT5S■◆40AZFF000XXX	XT5H■◆40AZFF000XXX
600	600	XT5N■◆60BZFF000XXX	XT5S■◆60BZFF000XXX	XT5H■◆60BZFF000XXX

- U for UL 80% rated or Q for 100% rated
- ◆ 3 for 3-pole or 4 for 4-pole

Tmax XT, XT5 Ekip G Hi Touch LSIg trip unit front terminals (F)

Frame Size	Amps	L (100kA)	V (150kA)	X (200kA)
		U.S. Ordering Code	U.S. Ordering Code	U.S. Ordering Code
400	250	XT5L■◆25AZFF000XXX	XT5V■◆25AZFF000XXX	XT5X■◆25AZFF000XXX
	300	XT5L■◆30AZFF000XXX	XT5V■◆30AZFF000XXX	XT5X■◆30AZFF000XXX
	400	XT5L■◆40AZFF000XXX	XT5V■◆40AZFF000XXX	XT5X■◆40AZFF000XXX
600	600	XT5L■◆60BZFF000XXX	XT5VU■◆60BZFF000XXX	XT5XU■◆60BZFF000XXX

- U for UL 80% rated or Q for 100% rated
- ◆ 3 for 3-pole or 4 for 4-pole

Ordering codes for Tmax XT5 Circuit breakers



Tmax XT5 – circuit breaker

Molded case switches

Tmax XT XT5D - MCS

Iu	Type	U.S. Ordering Code
400	XT5N-D 400	XT5NU◆40ADFF000XXX
	XT5S-D 400	XT5SU◆40ADFF000XXX
	XT5H-D 400	XT5HU◆40ADFF000XXX
	XT5L-D 400	XT5LU◆40ADFF000XXX
	XT5V-D 400	XT5VU◆40ADFF000XXX
600	XT5N-D 600	XT5NU◆60BDF000XXX
	XT5S-D 600	XT5SU◆60BDF000XXX
	XT5H-D 600	XT5HU◆60BDF000XXX
	XT5L-D 600	XT5LU◆60BDF000XXX
	XT5V-D 600	XT5VU◆60BDF000XXX

◆ 3 for 3-pole or 4 for 4-pole

Ordering codes for Tmax XT6

Circuit breakers



Tmax XT6 – circuit breaker

Distribution circuit breakers

Tmax XT, XT6, Thermal Magnetic-Adjustable (TMA) Protection with Front Terminals

Frame Size	Amps	N (35kA)	S (50kA)	H (65kA)
		U.S. Ordering Code	U.S. Ordering Code	U.S. Ordering Code
800	600	XT6N■◆600BFF000XXX	XT6S■◆600BFF000XXX	XT6H■◆600BFF000XXX
	800	XT6N■◆800BFF000XXX	XT6S■◆800BFF000XXX	XT6H■◆800BFF000XXX

■ U for UL 80% rated or Q for 100% rated
◆ 3 for 3-pole or 4 for 4-pole

Distribution circuit breakers

Tmax XT, XT6 Ekip DIP LS/I, LSI, LSIG, and LIG protection trip units with Front Terminals

Frame Size	Amps	N (35kA)	S (50kA)	H (65kA)
		U.S. Ordering Code	U.S. Ordering Code	U.S. Ordering Code
Ekip DIP LS/I				
800	600	XT6N■◆600EFF000XXX	XT6S■◆600EFF000XXX	XT6H■◆600EFF000XXX
	800	XT6N■◆800EFF000XXX	XT6S■◆800EFF000XXX	XT6H■◆800EFF000XXX
Ekip DIP LSI				
800	600	XT6N■◆600FFF000XXX	XT6S■◆600FFF000XXX	XT6H■◆600FFF000XXX
	800	XT6N■◆800FFF000XXX	XT6S■◆800FFF000XXX	XT6H■◆800FFF000XXX
Ekip DIP LSIG				
800	600	XT6N■◆600GFF000XXX	XT6S■◆600GFF000XXX	XT5H■◆25AGFF000XXX
	800	XT6N■◆800GFF000XXX	XT6S■◆800GFF000XXX	XT5H■◆30AGFF000XXX
Ekip DIP LIG				
800	600	XT6N■◆600CFF000XXX	XT6S■◆600CFF000XXX	XT6H■◆600CFF000XXX
	800	XT6N■◆800CFF000XXX	XT6S■◆800CFF000XXX	XT6H■◆800CFF000XXX

■ U for UL 80% rated or Q for 100% rated
◆ 3 for 3-pole or 4 for 4-pole

Motor protection circuit breaker (MPCB)

Tmax XT, XT6 Ekip M LIU trip unit, front terminals (F)

Frame Size	Amps	N (35kA)	S (50kA)	H (65kA)
		3-pole U.S. Ordering Code	3-pole U.S. Ordering Code	3-pole U.S. Ordering Code
800	600	XT6N■3600LFF000XXX	XT6S■3600LFF000XXX	XT6H■3600LFF000XXX
	800	XT6N■3800LFF000XXX	XT6S■3800LFF000XXX	XT6H■3800LFF000XXX

■ U for UL 80% rated or Q for 100% rated

Motor circuit protector (MCP)

Tmax XT, XT6 Ekip M I trip unit front terminals (F)

Frame Size	Amps	N (35kA)	S (50kA)	H (65kA)
		3-pole U.S. Ordering Code	3-pole U.S. Ordering Code	3-pole U.S. Ordering Code
800	600	XT6NU3600KFF000XXX	XT6SU3600KFF000XXX	XT6HU3600KFF000XXX

Ordering codes for Tmax XT6

Circuit breakers



Tmax XT6 – circuit breaker

Generator protection circuit breaker

Tmax XT, XT6 Ekip G LS/I trip unit front terminals (F)

Frame Size	Amps	N (35kA)	S (50kA)	H (65kA)
		U.S. Ordering Code	U.S. Ordering Code	U.S. Ordering Code
800	600	XT6N■◆600XFF000XXX	XT6S■◆600XFF000XXX	XT6H■◆600XFF000XXX
	800	XT6N■◆800XFF000XXX	XT6S■◆800XFF000XXX	XT6H■◆800XFF000XXX

■ U for UL 80% rated or Q for 100% rated
 ◆ 3 for 3-pole or 4 for 4-pole

Molded case switches

Tmax XT XT6D - MCS

Iu	Type	U.S. Ordering Code
800	XT6N-D 800	XT6NU◆800DFF000XXX
	XT6S-D 800	XT6SU◆800DFF000XXX
	XT6H-D 800	XT6HU◆800DFF000XXX

◆ 3 for 3-pole or 4 for 4-pole

Ordering codes for Tmax XT7

Circuit breakers



Tmax XT7 – circuit breaker

Distribution circuit breakers

Tmax XT, XT7 Ekip DIP LS/I, LSI, LSIG, and LIG protection trip units with Front Terminals

Frame Size	Amps	S (50kA)	H (65kA)	L (100kA)
		U.S. Ordering Code	U.S. Ordering Code	U.S. Ordering Code
Ekip DIP LS/I				
800	800	XT7S■◆80CEFF000XXX	XT7H■◆80CEFF000XXX	XT7L■◆80CEFF000XXX
1000	1000	XT7S■◆10DEFF000XXX	XT7H■◆10DEFF000XXX	XT7L■◆10DEFF000XXX
1200	1200	XT7S■◆12EEFF000XXX	XT7H■◆12EEFF000XXX	XT7L■◆12EEFF000XXX
Ekip DIP LSI				
800	800	XT7S■◆80CFFF000XXX	XT7H■◆80CFFF000XXX	XT7L■◆80CFFF000XXX
1000	1000	XT7S■◆10DFFF000XXX	XT7H■◆10DFFF000XXX	XT7L■◆10DFFF000XXX
1200	1200	XT7S■◆12EFFF000XXX	XT7H■◆12EFFF000XXX	XT7L■◆12EFFF000XXX
Ekip DIP LSIG				
800	800	XT7S■◆80CGFF000XXX	XT7H■◆80CGFF000XXX	XT7L■◆80CGFF000XXX
1000	1000	XT7S■◆10DGFF000XXX	XT7H■◆10DGFF000XXX	XT7L■◆10DGFF000XXX
1200	1200	XT7S■◆12EGFF000XXX	XT7H■◆12EGFF000XXX	XT7L■◆12EGFF000XXX
Ekip DIP LIG				
800	800	XT7S■◆80CCFF000XXX	XT7H■◆80CCFF000XXX	XT7L■◆80CCFF000XXX
1000	1000	XT7S■◆10DCFF000XXX	XT7H■◆10DCFF000XXX	XT7L■◆10DCFF000XXX
1200	1200	XT7S■◆12ECFF000XXX	XT7H■◆12ECFF000XXX	XT7L■◆12ECFF000XXX

■ U for UL 80% rated or Q for 100% rated

◆ 3 for 3-pole or 4 for 4-pole

Distribution circuit breakers

Tmax XT, XT7 Ekip TOUCH LSI and LSIG, protection trip units with Front Terminals

Frame Size	Amps	S (50kA)	H (65kA)	L (100kA)
		U.S. Ordering Code	U.S. Ordering Code	U.S. Ordering Code
Ekip TOUCH LSI				
800	800	XT7S■◆80CPFF000XXX	XT7H■◆80CPFF000XXX	XT7L■◆80CPFF000XXX
1000	1000	XT7S■◆10DPFF000XXX	XT7H■◆10DPFF000XXX	XT7L■◆10DPFF000XXX
1200	1200	XT7S■◆12EPFF000XXX	XT7H■◆12EPFF000XXX	XT7L■◆12EPFF000XXX
Ekip TOUCH LSIG				
800	800	XT7S■◆80CQFF000XXX	XT7H■◆80CQFF000XXX	XT7L■◆80CQFF000XXX
1000	1000	XT7S■◆10DQFF000XXX	XT7H■◆10DQFF000XXX	XT7L■◆10DQFF000XXX
1200	1200	XT7S■◆12EQFF000XXX	XT7H■◆12EQFF000XXX	XT7L■◆12EQFF000XXX

■ U for UL 80% rated or Q for 100% rated

◆ 3 for 3-pole or 4 for 4-pole

Ordering codes for Tmax XT7 Circuit breakers



Tmax XT7 – circuit breaker

Distribution circuit breakers

Tmax XT, XT7 Ekip TOUCH Measuring LSI and LSIg, protection trip units with Front Terminals

Frame Size	Amps	S (50kA)	H (65kA)	L (100kA)
		U.S. Ordering Code	U.S. Ordering Code	U.S. Ordering Code
Ekip TOUCH Measuring LSI				
800	800	XT7S■◆80CRFF000XXX	XT7H■◆80CRFF000XXX	XT7L■◆80CRFF000XXX
1000	1000	XT7S■◆10DRFF000XXX	XT7H■◆10DRFF000XXX	XT7L■◆10DRFF000XXX
1200	1200	XT7S■◆12ERFF000XXX	XT7H■◆12ERFF000XXX	XT7L■◆12ERFF000XXX
Ekip TOUCH Measuring LSIg				
800	800	XT7S■◆80CSFF000XXX	XT7H■◆80CSFF000XXX	XT7L■◆80CSFF000XXX
1000	1000	XT7S■◆10DSFF000XXX	XT7H■◆10DSFF000XXX	XT7L■◆10DSFF000XXX
1200	1200	XT7S■◆12ESFF000XXX	XT7H■◆12ESFF000XXX	XT7L■◆12ESFF000XXX

■ U for UL 80% rated or Q for 100% rated
◆ 3 for 3-pole or 4 for 4-pole

Distribution circuit breakers

Tmax XT, XT7 Ekip HI-TOUCH LSI and LSIg, protection trip units with Front Terminals

Frame Size	Amps	S (50kA)	H (65kA)	L (100kA)
		U.S. Ordering Code	U.S. Ordering Code	U.S. Ordering Code
Ekip HI-TOUCH LSI				
800	800	XT7S■◆80CTFF000XXX	XT7H■◆80CTFF000XXX	XT7L■◆80CTFF000XXX
1000	1000	XT7S■◆10DTFF000XXX	XT7H■◆10DTFF000XXX	XT7L■◆10DTFF000XXX
1200	1200	XT7S■◆12ETFF000XXX	XT7H■◆12ETFF000XXX	XT7L■◆12ETFF000XXX
Ekip HI-TOUCH LSIg				
800	800	XT7S■◆80CUFF000XXX	XT7H■◆80CUFF000XXX	XT7L■◆80CUFF000XXX
1000	1000	XT7S■◆10DUFF000XXX	XT7H■◆10DUFF000XXX	XT7L■◆10DUFF000XXX
1200	1200	XT7S■◆12EUFF000XXX	XT7H■◆12EUFF000XXX	XT7L■◆12EUFF000XXX

■ U for UL 80% rated or Q for 100% rated
◆ 3 for 3-pole or 4 for 4-pole

Ordering codes for Tmax XT7

Circuit breakers



Tmax XT7 – circuit breaker

Motor protection circuit breaker (MPCB)

Tmax XT, XT7 Ekip M Touch LRIU trip unit, front terminals (F)

Frame Size	Amps	S (50kA)			H (65kA)			L (100kA)		
		3-pole			3-pole			3-pole		
		U.S. Ordering Code			U.S. Ordering Code			U.S. Ordering Code		
800	800	XT7S■380CWFF000XXX			XT7H■380CWFF000XXX			XT7L■380CWFF000XXX		
1000	1000	XT7S■310DWFF000XXX			XT7H■310DWFF000XXX			XT7L■310DWFF000XXX		
1200	1200	XT7S■312EWFF000XXX			XT7H■312EWFF000XXX			XT7L■312EWFF000XXX		

■ U for UL 80% rated or Q for 100% rated

Motor circuit protector (MCP)

Tmax XT, XT7 Ekip M I trip unit front terminals (F)

Frame Size	Amps	S (50kA)			H (65kA)			L (100k)		
		3-pole			3-pole			3-pole		
		U.S. Ordering Code			U.S. Ordering Code			U.S. Ordering Code		
800	800	XT7S■380CKFF000XXX			XT7H■380CKFF000XXX			XT7L■380CKFF000XXX		
1000	1000	XT7S■310DKFF000XXX			XT7H■310DKFF000XXX			XT7L■310DKFF000XXX		
1200	1200	XT7S■312EKFF000XXX			XT7H■312EKFF000XXX			XT7L■312EKFF000XXX		

■ U for UL 80% rated or Q for 100% rated

Ordering codes for Tmax XT7 Circuit breakers



Tmax XT7 – circuit breaker

Generator protection circuit breaker

Tmax XT, XT7 Ekip G LS/I trip unit front terminals (F)

Frame Size	Amps	S (50kA)	H (65kA)	L (100kA)
		U.S. Ordering Code	U.S. Ordering Code	U.S. Ordering Code
800	800	XT7S■◆80CFF000XXX	XT7H■◆80CFF000XXX	XT7L■◆80CFF000XXX
1000	1000	XT7S■◆10DXFF000XXX	XT7H■◆10DXFF000XXX	XT7L■◆10DXFF000XXX
1200	1200	XT7S■◆12EXFF000XXX	XT7H■◆12EXFF000XXX	XT7L■◆12EXFF000XXX

■ U for UL 80% rated or Q for 100% rated
◆ 3 for 3-pole or 4 for 4-pole

Generator protection circuit breaker

Tmax XT, XT7 Ekip G Touch LSIG trip unit front terminals (F)

Frame Size	Amps	S (50kA)	H (65kA)	L (100kA)
		U.S. Ordering Code	U.S. Ordering Code	U.S. Ordering Code
800	800	XT7S■◆80CYFF000XXX	XT7H■◆80CYFF000XXX	XT7L■◆80CYFF000XXX
1000	1000	XT7S■◆10DYFF000XXX	XT7H■◆10DYFF000XXX	XT7L■◆10DYFF000XXX
1200	1200	XT7S■◆12EYFF000XXX	XT7H■◆12EYFF000XXX	XT7L■◆12EYFF000XXX

■ U for UL 80% rated or Q for 100% rated
◆ 3 for 3-pole or 4 for 4-pole

Generator protection circuit breaker

Tmax XT, XT7 Ekip G Hi Touch LSIG trip unit front terminals (F)

Frame Size	Amps	S (50kA)	H (65kA)	L (100kA)
		U.S. Ordering Code	U.S. Ordering Code	U.S. Ordering Code
800	800	XT7S■◆80CZFF000XXX	XT7H■◆80CZFF000XXX	XT7L■◆80CZFF000XXX
1000	1000	XT7S■◆10DZFF000XXX	XT7H■◆10DZFF000XXX	XT7L■◆10DZFF000XXX
1200	1200	XT7S■◆12EZFF000XXX	XT7H■◆12EZFF000XXX	XT7L■◆12EZFF000XXX

■ U for UL 80% rated or Q for 100% rated
◆ 3 for 3-pole or 4 for 4-pole

Molded case switches

Tmax XT XT7D - MCS

Iu	Type	3-pole	4-pole
		U.S. Ordering Code	U.S. Ordering Code
1000	XT7S-D 1000	XT7SU310DDFF000XXX	XT7SU410DDFF000XXX
	XT7H-D 1000	XT7HU310DDFF000XXX	XT7HU410DDFF000XXX
	XT7L-D 1000	XT7LU310DDFF000XXX	XT7LU410DDFF000XXX
1200	XT7S-D 1200	XT7SU312DDFF000XXX	XT7SU412DDFF000XXX
	XT7H-D 1200	XT7HU312DDFF000XXX	XT7HU412DDFF000XXX
	XT7L-D 1200	XT7LU312DDFF000XXX	XT7LU412DDFF000XXX

Ordering codes for Tmax XT7M Circuit breakers



Tmax XT7M – circuit breaker

Distribution circuit breakers

Tmax XT, XT7M Ekip LS/I, LSI, LSIG, and LIG protection trip units with Front Terminals

Frame Size	Amps	S (50kA)	
		3-poles	4-poles
		U.S. Ordering Code	U.S. Ordering Code
Ekip Dip LS/I			
800	800	XS■CAFAZZAAAA00000	XS■DAFAZZAAAA00000
1000	1000	XS■EFAZZAAAA00000	XS■FAFAZZAAAA00000
1200	1200	XS■GAFAZZAAAA00000	XS■HAFAZZAAAA00000
Ekip Dip LSI			
800	800	XS■CCFAZZAAAA00000	XS■DCFAZZAAAA00000
1000	1000	XS■ECFAZZAAAA00000	XS■FCFAZZAAAA00000
1200	1200	XS■GCFZZAAAA00000	XS■HCFZZAAAA00000
Ekip Dip LSIG			
800	800	XS■CDFAZZAAAA00000	XS■DDFAZZAAAA00000
1000	1000	XS■EDFAZZAAAA00000	XS■FDFAZZAAAA00000
1200	1200	XS■GDFAZZAAAA00000	XS■HDFAZZAAAA00000
Ekip Dip LIG			
800	800	XS■CBFAZZAAAA00000	XS■DBFAZZAAAA00000
1000	1000	XS■EBFAZZAAAA00000	XS■FBFAZZAAAA00000
1200	1200	XS■GBFAZZAAAA00000	XS■HBFAZZAAAA00000

■ U for UL 80% rated or Q for 100% rated

Tmax XT, XT7M Ekip LS/I, LSI, LSIG, and LIG protection trip units with Front Terminals

Frame Size	Amps	H (65kA)	
		3-poles	4-poles
		U.S. Ordering Code	U.S. Ordering Code
Ekip Dip LS/I			
800	800	XH■CAFAZZAAAA00000	XH■DAFAZZAAAA00000
1000	1000	XH■EFAZZAAAA00000	XH■FAFAZZAAAA00000
1200	1200	XH■GAFAZZAAAA00000	XH■HAFAZZAAAA00000
Ekip Dip LSI			
800	800	XH■CCFAZZAAAA00000	XH■DCFAZZAAAA00000
1000	1000	XH■ECFAZZAAAA00000	XH■FCFAZZAAAA00000
1200	1200	XH■GCFZZAAAA00000	XH■HCFZZAAAA00000
Ekip Dip LSIG			
800	800	XH■CDFAZZAAAA00000	XH■DDFAZZAAAA00000
1000	1000	XH■EDFAZZAAAA00000	XH■FDFAZZAAAA00000
1200	1200	XH■GDFAZZAAAA00000	XH■HDFAZZAAAA00000
Ekip Dip LIG			
800	800	XH■CBFAZZAAAA00000	XH■DBFAZZAAAA00000
1000	1000	XH■EBFAZZAAAA00000	XH■FBFAZZAAAA00000
1200	1200	XH■GBFAZZAAAA00000	XH■HBFAZZAAAA00000

■ U for UL 80% rated or Q for 100% rated

Ordering codes for Tmax XT7M

Circuit breakers



Tmax XT7M – circuit breaker

Distribution circuit breakers

Tmax XT, XT7M Ekip LS/I, LSI, LSIg, and LIG protection trip units with Front Terminals

Frame Size	Amps	L (100kA)	
		3-poles	4-poles
		U.S. Ordering Code	U.S. Ordering Code
Ekip Dip LS/I			
800	800	XL■CAFAZZAAAA00000	XL■DAFAZZAAAA00000
1000	1000	XL■EFAZZAAAA00000	XL■FAFAZZAAAA00000
1200	1200	XL■GAFAZZAAAA00000	XL■HAFAZZAAAA00000
Ekip Dip LSI			
800	800	XL■CCFAZZAAAA00000	XL■DCFAZZAAAA00000
1000	1000	XL■ECFAZZAAAA00000	XL■FCFAZZAAAA00000
1200	1200	XL■GCFAZZAAAA00000	XL■HCFAZZAAAA00000
Ekip Dip LSIg			
800	800	XL■CDFAZZAAAA00000	XL■DDFAZZAAAA00000
1000	1000	XL■EDFAZZAAAA00000	XL■FDFAZZAAAA00000
1200	1200	XL■GDFAZZAAAA00000	XL■HDFAZZAAAA00000
Ekip Dip LIG			
800	800	XL■CBFAZZAAAA00000	XL■DBFAZZAAAA00000
1000	1000	XL■EBFAZZAAAA00000	XL■FBFAZZAAAA00000
1200	1200	XL■GBFAZZAAAA00000	XL■HBFAZZAAAA00000

■ U for UL 80% rated or Q for 100% rated

Ordering codes for Tmax XT7M

Circuit breakers



Tmax XT7M – circuit breaker

Distribution circuit breakers

Tmax XT, XT7M Ekip TOUCH LSI and LSIg, protection trip units with Front Terminals

Frame Size	Amps	S (50kA)	
		3-poles	4-poles
		U.S. Ordering Code	U.S. Ordering Code
Ekip Touch LSI			
800	800	XS■CEFAZZAAAA00000	XS■DEFAZZAAAA00000
1000	1000	XS■EEFAZZAAAA00000	XS■FEFAZZAAAA00000
1200	1200	XS■GEFAZZAAAA00000	XS■HEFAZZAAAA00000
Ekip Touch LSIg			
800	800	XS■CFFAZZAAAA00000	XS■DFFAZZAAAA00000
1000	1000	XS■EFFAZZAAAA00000	XS■FFFAZZAAAA00000
1200	1200	XS■GFFAZZAAAA00000	XS■HFFAZZAAAA00000

■ U for UL 80% rated or Q for 100% rated

Tmax XT, XT7M Ekip TOUCH Measuring LSI and LSIg, protection trip units with Front Terminals

Frame Size	Amps	H (65kA)	
		3-poles	4-poles
		U.S. Ordering Code	U.S. Ordering Code
Ekip Touch LSI			
800	800	XH■CEFAZZAAAA00000	XH■DEFAZZAAAA00000
1000	1000	XH■EEFAZZAAAA00000	XH■FEFAZZAAAA00000
1200	1200	XH■GEFAZZAAAA00000	XH■HEFAZZAAAA00000
Ekip Touch LSIg			
800	800	XH■CFFAZZAAAA00000	XH■DFFAZZAAAA00000
1000	1000	XH■EFFAZZAAAA00000	XH■FFFAZZAAAA00000
1200	1200	XH■GFFAZZAAAA00000	XH■HFFAZZAAAA00000

■ U for UL 80% rated or Q for 100% rated

Tmax XT, XT7M Ekip TOUCH Measuring LSI and LSIg, protection trip units with Front Terminals

Frame Size	Amps	L (100kA)	
		3-poles	4-poles
		U.S. Ordering Code	U.S. Ordering Code
Ekip Touch LSI			
800	800	XL■CEFAZZAAAA00000	XL■DEFAZZAAAA00000
1000	1000	XL■EEFAZZAAAA00000	XL■FEFAZZAAAA00000
1200	1200	XL■GEFAZZAAAA00000	XL■HEFAZZAAAA00000
Ekip Touch LSIg			
800	800	XL■CFFAZZAAAA00000	XL■DFFAZZAAAA00000
1000	1000	XL■EFFAZZAAAA00000	XL■FFFAZZAAAA00000
1200	1200	XL■GFFAZZAAAA00000	XL■HFFAZZAAAA00000

Ordering codes for Tmax XT7M Circuit breakers



Tmax XT7M – circuit breaker

Distribution circuit breakers

Tmax XT, XT7M Ekip TOUCH Measuring LSI and LSIG, protection trip units with Front Terminals

Frame Size	Amps	S (50kA)	
		3-poles	4-poles
		U.S. Ordering Code	U.S. Ordering Code
Ekip TOUCH Measuring LSI			
800	800	XS■CGFAZZAAAA00000	XS■DGFAZZAAAA00000
1000	1000	XS■EGFAZZAAAA00000	XS■FGFAZZAAAA00000
1200	1200	XS■GGFAZZAAAA00000	XS■HGFAZZAAAA00000
Ekip TOUCH Measuring LSIG			
800	800	XS■CHFAZZAAAA00000	XS■DHFAZZAAAA00000
1000	1000	XS■EHFAZZAAAA00000	XS■FHFAZZAAAA00000
1200	1200	XS■GHFAZZAAAA00000	XS■HHFAZZAAAA00000

■ U for UL 80% rated or Q for 100% rated

Tmax XT, XT7M Ekip TOUCH Measuring LSI and LSIG, protection trip units with Front Terminals

Frame Size	Amps	H (65kA)	
		3-poles	4-poles
		U.S. Ordering Code	U.S. Ordering Code
Ekip TOUCH Measuring LSI			
800	800	XH■CGFAZZAAAA00000	XH■DGFAZZAAAA00000
1000	1000	XH■EGFAZZAAAA00000	XH■FGFAZZAAAA00000
1200	1200	XH■GGFAZZAAAA00000	XH■HGFAZZAAAA00000
Ekip TOUCH Measuring LSIG			
800	800	XH■DHFAZZAAAA00000	XH■DHFAZZAAAA00000
1000	1000	XH■FHFAZZAAAA00000	XH■FHFAZZAAAA00000
1200	1200	XH■HHFAZZAAAA00000	XH■HHFAZZAAAA00000

■ U for UL 80% rated or Q for 100% rated

Tmax XT, XT7M Ekip TOUCH Measuring LSI and LSIG, protection trip units with Front Terminals

Frame Size	Amps	L (100kA)	
		3-poles	4-poles
		U.S. Ordering Code	U.S. Ordering Code
Ekip TOUCH Measuring LSI			
800	800	XL■CGFAZZAAAA00000	XL■DGFAZZAAAA00000
1000	1000	XL■EGFAZZAAAA00000	XL■FGFAZZAAAA00000
1200	1200	XL■GGFAZZAAAA00000	XL■HGFAZZAAAA00000
Ekip TOUCH Measuring LSIG			
800	800	XL■CHFAZZAAAA00000	XL■DHFAZZAAAA00000
1000	1000	XL■EHFAZZAAAA00000	XL■FHFAZZAAAA00000
1200	1200	XL■GHFAZZAAAA00000	XL■HHFAZZAAAA00000

■ U for UL 80% rated or Q for 100% rated

Ordering codes for Tmax XT7M

Circuit breakers



Tmax XT7M – circuit breaker

Distribution circuit breakers

Tmax XT, XT7M Ekip HI-TOUCH Measuring LSI and LSIG, protection trip units with Front Terminals

Frame Size	Amps	S (50kA)	
		3-poles	4-poles
		U.S. Ordering Code	U.S. Ordering Code
Ekip HI-TOUCH LSI			
800	800	XS■CJFAZZAAAA00000	XS■DJFAZZAAAA00000
1000	1000	XS■EJFAZZAAAA00000	XS■FJFAZZAAAA00000
1200	1200	XS■GJFAZZAAAA00000	XS■HJFAZZAAAA00000
Ekip HI-TOUCH LSIG			
800	800	XS■CLFAZZAAAA00000	XS■DLFAZZAAAA00000
1000	1000	XS■ELFAZZAAAA00000	XS■FLFAZZAAAA00000
1200	1200	XS■GLFAZZAAAA00000	XS■HLFAZZAAAA00000

■ U for UL 80% rated or Q for 100% rated

Tmax XT, XT7M Ekip HI-TOUCH Measuring LSI and LSIG, protection trip units with Front Terminals

Frame Size	Amps	H (65kA)	
		3-poles	4-poles
		U.S. Ordering Code	U.S. Ordering Code
Ekip HI-TOUCH LSI			
800	800	XH■CJFAZZAAAA00000	XH■DJFAZZAAAA00000
1000	1000	XH■EJFAZZAAAA00000	XH■FJFAZZAAAA00000
1200	1200	XH■GJFAZZAAAA00000	XH■HJFAZZAAAA00000
Ekip HI-TOUCH LSIG			
800	800	XH■CLFAZZAAAA00000	XH■DLFAZZAAAA00000
1000	1000	XH■ELFAZZAAAA00000	XH■FLFAZZAAAA00000
1200	1200	XH■GLFAZZAAAA00000	XH■HLFAZZAAAA00000

■ U for UL 80% rated or Q for 100% rated

Tmax XT, XT7M Ekip HI-TOUCH Measuring LSI and LSIG, protection trip units with Front Terminals

Frame Size	Amps	L (100kA)	
		3-poles	4-poles
		U.S. Ordering Code	U.S. Ordering Code
Ekip HI-TOUCH LSI			
800	800	XL■CJFAZZAAAA00000	XL■DJFAZZAAAA00000
1000	1000	XL■EJFAZZAAAA00000	XL■FJFAZZAAAA00000
1200	1200	XL■GJFAZZAAAA00000	XL■HJFAZZAAAA00000
Ekip HI-TOUCH LSIG			
800	800	XL■CLFAZZAAAA00000	XL■DLFAZZAAAA00000
1000	1000	XL■ELFAZZAAAA00000	XL■FLFAZZAAAA00000
1200	1200	XL■GLFAZZAAAA00000	XL■HLFAZZAAAA00000

■ U for UL 80% rated or Q for 100% rated

Ordering codes for Tmax XT7M

Circuit breakers



Tmax XT7M – circuit breaker

Motor circuit protector (MCP)

Tmax XT, XT7M Ekip M I trip unit front terminals (F)

Frame Size	Amps	S (50kA)	
		3-poles	4-poles
		U.S. Ordering Code	U.S. Ordering Code
800	800	XS■CMFAZZAAAA00000	–
1000	1000	XS■EMFAZZAAAA00000	–
1200	1200	XS■GMFAZZAAAA00000	–

■ U for UL 80% rated or Q for 100% rated

Tmax XT, XT7M Ekip M I trip unit front terminals (F)

Frame Size	Amps	H (65kA)	
		3-poles	4-poles
		U.S. Ordering Code	U.S. Ordering Code
800	800	XH■CMFAZZAAAA00000	–
1000	1000	XH■EMFAZZAAAA00000	–
1200	1200	XH■GMFAZZAAAA00000	–

■ U for UL 80% rated or Q for 100% rated

Tmax XT, XT7M Ekip M I trip unit front terminals (F)

Frame Size	Amps	L (100kA)	
		3-poles	4-poles
		U.S. Ordering Code	U.S. Ordering Code
800	800	XL■CMFAZZAAAA00000	–
1000	1000	XL■EMFAZZAAAA00000	–
1200	1200	XL■GMFAZZAAAA00000	–

■ U for UL 80% rated or Q for 100% rated

Ordering codes for Tmax XT7M

Circuit breakers



Tmax XT7M – circuit breaker

Motor protection circuit breaker (MPCB)

Tmax XT, XT7M Ekip M Touch LRIU trip unit, front terminals (F)

Frame Size	Amps	S (50kA)	
		3-poles	4-poles
		U.S. Ordering Code	U.S. Ordering Code
800	800	XS■CNFAZZAAAA00000	–
1000	1000	XS■ENFAZZAAAA00000	–
1200	1200	XS■GNFAZZAAAA00000	–

■ U for UL 80% rated or Q for 100% rated

Tmax XT, XT7M Ekip M Touch LRIU trip unit, front terminals (F)

Frame Size	Amps	H (65kA)	
		3-poles	4-poles
		U.S. Ordering Code	U.S. Ordering Code
800	800	XH■CNFAZZAAAA00000	–
1000	1000	XH■ENFAZZAAAA00000	–
1200	1200	XH■GNFAZZAAAA00000	–

■ U for UL 80% rated or Q for 100% rated

Tmax XT, XT7M Ekip M Touch LRIU trip unit, front terminals (F)

Frame Size	Amps	L (100kA)	
		3-poles	4-poles
		U.S. Ordering Code	U.S. Ordering Code
800	800	XL■CNFAZZAAAA00000	–
1000	1000	XL■ENFAZZAAAA00000	–
1200	1200	XL■GNFAZZAAAA00000	–

■ U for UL 80% rated or Q for 100% rated

Ordering codes for Tmax XT7M Circuit breakers



Tmax XT7M – circuit breaker

Generator protection circuit breaker

Tmax XT, XT7M Ekip G LS/I trip unit front terminals (F)

Frame Size	Amps	S (50kA)	
		3-poles	4-poles
		U.S. Ordering Code	U.S. Ordering Code
800	800	XS■CPFAZZAAAA00000	XS■DPFAZZAAAA00000
1000	1000	XS■EPFAZZAAAA00000	XS■FPFAZZAAAA00000
1200	1200	XS■GPFAZZAAAA00000	XS■HPFAZZAAAA00000

■ U for UL 80% rated or Q for 100% rated

Tmax XT, XT7M Ekip G LS/I trip unit front terminals (F)

Frame Size	Amps	H (65kA)	
		3-poles	4-poles
		U.S. Ordering Code	U.S. Ordering Code
800	800	XH■CPFAZZAAAA00000	XH■DPFAZZAAAA00000
1000	1000	XH■EPFAZZAAAA00000	XH■FPFAZZAAAA00000
1200	1200	XH■GPFAZZAAAA00000	XH■HPFAZZAAAA00000

■ U for UL 80% rated or Q for 100% rated

Tmax XT, XT7M Ekip G LS/I trip unit front terminals (F)

Frame Size	Amps	L (100kA)	
		3-poles	4-poles
		U.S. Ordering Code	U.S. Ordering Code
800	800	XL■CPFAZZAAAA00000	XL■DPFAZZAAAA00000
1000	1000	XL■EPFAZZAAAA00000	XL■FPFAZZAAAA00000
1200	1200	XL■GPFAZZAAAA00000	XL■HPFAZZAAAA00000

■ U for UL 80% rated or Q for 100% rated

Ordering codes for Tmax XT7M

Circuit breakers



Tmax XT7M – circuit breaker

Generator protection circuit breaker

Tmax XT, XT7M Ekip G Touch LSIg trip unit front terminals (F)

Frame Size	Amps	S (50kA)	
		3-poles	4-poles
		U.S. Ordering Code	U.S. Ordering Code
800	800	XS■CQFAZZAAAA00000	XS■DQFAZZAAAA00000
1000	1000	XS■EQFAZZAAAA00000	XS■FQFAZZAAAA00000
1200	1200	XS■GQFAZZAAAA00000	XS■HQFAZZAAAA00000

■ U for UL 80% rated or Q for 100% rated

Tmax XT, XT7M Ekip G Touch LSIg trip unit front terminals (F)

Frame Size	Amps	H (65kA)	
		3-poles	4-poles
		U.S. Ordering Code	U.S. Ordering Code
800	800	XH■CQFAZZAAAA00000	XH■DQFAZZAAAA00000
1000	1000	XH■EQFAZZAAAA00000	XH■FQFAZZAAAA00000
1200	1200	XH■GQFAZZAAAA00000	XH■HQFAZZAAAA00000

■ U for UL 80% rated or Q for 100% rated

Tmax XT, XT7M Ekip G Touch LSIg trip unit front terminals (F)

Frame Size	Amps	L (100kA)	
		3-poles	4-poles
		U.S. Ordering Code	U.S. Ordering Code
800	800	XL■CQFAZZAAAA00000	XL■DQFAZZAAAA00000
1000	1000	XL■EQFAZZAAAA00000	XL■FQFAZZAAAA00000
1200	1200	XL■GQFAZZAAAA00000	XL■HQFAZZAAAA00000

■ U for UL 80% rated or Q for 100% rated

Ordering codes for Tmax XT7M Circuit breakers



Tmax XT7M – circuit breaker

Generator protection circuit breaker

Tmax XT, XT7M Ekip G HI-Touch LSIG trip unit front terminals (F)

Frame Size	Amps	S (50kA)	
		3-poles	4-poles
		U.S. Ordering Code	U.S. Ordering Code
800	800	XS■CRFAZZAAAA00000	XS■DRFAZZAAAA00000
1000	1000	XS■ERFAZZAAAA00000	XS■FRFAZZAAAA00000
1200	1200	XS■GRFAZZAAAA00000	XS■HRFAZZAAAA00000

■ U for UL 80% rated or Q for 100% rated

Tmax XT, XT7M Ekip G HI-Touch LSIG trip unit front terminals (F)

Frame Size	Amps	H (65kA)	
		3-poles	4-poles
		U.S. Ordering Code	U.S. Ordering Code
800	800	XH■CRFAZZAAAA00000	XH■DRFAZZAAAA00000
1000	1000	XH■ERFAZZAAAA00000	XH■FRFAZZAAAA00000
1200	1200	XH■GRFAZZAAAA00000	XH■HRFAZZAAAA00000

■ U for UL 80% rated or Q for 100% rated

Tmax XT, XT7M Ekip G HI-Touch LSIG trip unit front terminals (F)

Frame Size	Amps	L (100kA)	
		3-poles	4-poles
		U.S. Ordering Code	U.S. Ordering Code
800	800	XL■CRFAZZAAAA00000	XL■DRFAZZAAAA00000
1000	1000	XL■ERFAZZAAAA00000	XL■FRFAZZAAAA00000
1200	1200	XL■GRFAZZAAAA00000	XL■HRFAZZAAAA00000

■ U for UL 80% rated or Q for 100% rated

Molded case switches

Tmax XT XT7D/XT7D M - MCS

Iu	Type	3-poles	4-poles
		U.S. Ordering Code	U.S. Ordering Code
1000	XT7S-D M 1000	XSUESFAZZAAAA00000	XSUFSFAZZAAAA00000
	XT7H-D M 1000	XHUESFAZZAAAA00000	XHUFSFAZZAAAA00000
	XT7L-D M 1000	XLUESFAZZAAAA00000	XLUFSFAZZAAAA00000
1200	XT7S-D M 1200	XSUGSFAZZAAAA00000	XSUHSFAZZAAAA00000
	XT7H-D M 1200	XHUGSFAZZAAAA00000	XHUHSFAZZAAAA00000
	XT7L-D M 1200	XLUGSFAZZAAAA00000	XLUHSFAZZAAAA00000

Ordering codes for accessories

Execution and installation

Fixed parts

Fixed part of plug-in (P) circuit-breaker

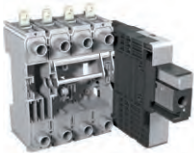


Fixed part of plug-in circuit-breaker

Size	Type	3 poles	4 poles
		U.S. Ordering Code	U.S. Ordering Code
XT1	P FP EF	KXT1PFPEF-3	KXT1PFPEF-4
XT1	P FP HR/VR ¹	KXT1EPFPHR-3	KXT1EPFPHR-4
XT2	P FP EF	KXT2PFPEF-3	KXT2PFPEF-4
XT2	P FP HR/VR ^{1,2}	KXT2EPFPHR-3	KXT2EPFPHR-4
XT3	P FP EF	KXT3PFPEF-3	KXT3PFPEF-4
XT3	P FP HR/VR ¹	KXT3EPFPHR-3	KXT3EPFPHR-4
XT4	P FP EF	KXT4PFPEF-3	KXT4PFPEF-4
XT4	P FP HR/VR ¹	KXT4EPFPHR-3	KXT4EPFPHR-4
XT5	P FP 400A EF	KXT5UPFPEF4-3	KXT5UPFPEF4-4
XT5	P FP 400A HR/HR	KXT5UPFPHR4-3	KXT5UPFPHR4-4
XT5	P FP 400A VR/VR	KXT5UPFPVR4-3	KXT5UPFPVR4-4
XT5	P FP 630A EF	KXT5DPFPEF6-3	KXT5DPFPEF6-4
XT5	P FP 630A HR	KXT5DPFPHR6-3	KXT5DPFPHR6-4
XT5	P FP 630A VR	KXT5DPFPVR6-3	KXT5DPFPVR6-4

¹ The terminals are factory-mounted in the horizontal position (HR)

² Not UL listed



Fixed part of withdrawable circuit-breaker

Fixed part of withdrawable (W) circuit-breaker

Size	Type	3 poles	4 poles
		U.S. Ordering Code	U.S. Ordering Code
XT2	W FP EF	KXT2WFPEF-3	KXT2WFPEF-4
XT2	W FP HR/VR ^{1,2}	KXT2EWFPHR-3	KXT2EWFPHR-4
XT4	W FP EF	KXT4WFPEF-3	KXT4WFPEF-4
XT4	W FP HR/VR ^{1,2}	KXT4EWFPHR-3	KXT4EWFPHR-4
XT5	W FP 400A EF	KXT5UWFPEF4-3	KXT5UWFPEF4-4
XT5	W FP 400A HR/HR	KXT5UWFPHR4-3	KXT5UWFPHR4-4
XT5	W FP 400A VR/VR	KXT5UWFVPR4-3	KXT5UWFVPR4-4
XT5	W FP 630A EF	KXT5DWFPEF6-3	KXT5DWFPEF6-4
XT5	W FP 630A HR	KXT5DWFPHR6-3	KXT5DWFPHR6-4
XT5	W FP 630A VR	KXT5DWFVPR6-3	KXT5DWFVPR6-4
XT6	W FP EF	KXT6DWFPEFF-3	KXT6DWFPEFF-4
XT6	W FP HR	KXT6DWFPHRF-3	KXT6DWFPHRF-4
XT6	W FP VR	KXT6DWFVPRF-3	KXT6DWFVPRF-4
XT7-XT7 M	W FP EF	KXT7DWFPEFF-3	KXT7DWFPEFF-4
XT7-XT7 M	W FP HR	KXT7DWFPHRF-3	KXT7DWFPHRF-4

¹ The terminals are factory-mounted in the horizontal position (HR)

² Not UL listed



Fixed part of withdrawable XT7-XT7 M

Ordering codes for accessories

Execution and installation

Conversion kits

Conversion kit to convert circuit-breaker from fixed to moving part of a plug-in unit



Conversion kit for turning a fixed circuit-breaker into the moving part of a plug-in circuit-breaker

Size	Type	3 poles	4 poles
		U.S. Ordering Code	U.S. Ordering Code
XT1	P MP Kit	KXT1PMP-3	KXT1PMP-4
XT2	P MP Kit	KXT2PMP-3	KXT2PMP-4
XT3	P MP Kit	KXT3PMP-3	KXT3PMP-4
XT4	P MP Kit	KXT4PMP-3	KXT4PMP-4
XT5	P MP Kit 400A	KXT5PMP400-3	KXT5PMP400-4
XT5	P MP Kit 630A	KXT5PMP600-3	KXT5PMP600-4

Conversion kit to convert circuit-breaker from fixed to moving part of a withdrawable unit



Conversion kit for turning a fixed circuit-breaker into the moving part of a withdrawable circuit-breaker

Size	Type	3 poles	4 poles
		U.S. Ordering Code	U.S. Ordering Code
XT2	W MP Kit	KXT2WMP-3	KXT2WMP-4
XT4	W MP Kit	KXT4WMP-3	KXT4WMP-4
XT5	W MP Kit 400A	KXT5WMP400-3	KXT5WMP400-4
XT5	W MP Kit 630A	KXT5WMP600-3	KXT5WMP600-4
XT6	W MP Kit	KXT6WMP-3	KXT6WMP-4
XT7-XT7 M	W MP Kit	KXT7WMP-3	KXT7WMP-4

Conversion kit to convert circuit-breaker fixed part from plug-in to a withdrawable unit



Conversion kit for turning a fixed part of plug-in version into a fixed part of withdrawable version circuit-breaker

Size	Type	3 poles	4 poles
		U.S. Ordering Code	U.S. Ordering Code
XT2	XT2 FP P>W Kit	KXT2FPPTOFPW	-
XT4	XT4 FP P>W Kit	KXT4FPPTOFPW	-
XT5	XT5 FP P>W Kit	KXT5FPPTOFPW	-

Conversion kit to convert an RC from fixed to a plug-in unit

Size	Type	3 poles	4 poles
		U.S. Ordering Code	U.S. Ordering Code
XT2	XT2 P MP RC Sel 4p Kit	KXT2EPMPRC-4	-
XT4	XT4 P MP RC Sel 4p Kit	KXT4EPMPRC-4	-
XT5	XT5 400A P MP RC Sel 4p Kit	KXT5PMPRC400-4	-
XT5	XT5 630A P MP RC Sel 4p Kit	KXT5PMPRC600-4	-

Conversion kit to convert an RC from a plug-in into a withdrawable unit

Size	Type	3 poles	4 poles
		U.S. Ordering Code	U.S. Ordering Code
XT2	XT2 W MP RC Sel 4p Kit	KXT2EWMPRC-4	-
XT4	XT4 W MP RC Sel 4p Kit	KXT4EWMPRC-4	-
XT5	XT5 400A W MP RC Sel 4p Kit	KXT5WMPRC400-4	-
XT5	XT5 630A W MP RC Sel 4p Kit	KXT5WMPRC600-4	-

Ordering codes for accessories

Execution and installation

Plug and socket adapters

Socket plug connector on rear of the panel



Socket-plug panel connector

Size	Type	U.S. Ordering Code
XT1...XT5	Socket-plug panel connector with 3PINS	KXTAE3PINCON
XT1...XT5	Socket-plug panel connector with 6PINS	KXTAE6PINCON
XT1...XT5	Socket-plug panel connector with 9PINS	KXTAE9PINCON
XT1...XT5	Socket-plug panel connector with 15PINS	KXTAE15PINCON

Fixed part socket-plug connector



Fixed part socket-plug connector

Size	Type	U.S. Ordering Code
XT2-XT4-XT5	Socket-plug connector for Moving Part 12PINS	KXTCE12PINMPCON
XT2-XT4-XT5	Socket-plug connector for Fixed Part 12PINS	KXTCE12PINFPCON

Bracket for fixing on DIN-rail

Bracket for fixing onto DIN-rail



DIN guide

Size	Type	3 poles	4 poles
		U.S. Ordering Code	U.S. Ordering Code
XT1	KIT DIN50022	KXT1EDIN-3	KXT1EDIN-4
XT1	KIT DIN50022 + RC Low 200mm	–	KXT1EDINRCSELPL
XT1	KIT DIN50022 +RC Sel/RC Inst	KXT1EDINRCPL	KXT1EDINRCPL
XT2	KIT DIN50022	KXT2DIN-3	KXT2DIN-4
XT3	KIT DIN50022	KXT3EDIN-3	KXT3EDIN-4
XT3	KIT DIN50022 + RC Inst / RC Sel	KXT3EDINRCPL	1SDA067139R1
XT4	KIT DIN50022	KXT4DIN-3	KXT4DIN-4

Floor fixing plate

Floor fixing plate

Size	Type	U.S. Ordering Code
XT7-XT7 M	Floor fixing plate for fixed unit	ZE1FFPF

Cable rack

Cable rack

Size	Type	U.S. Ordering Code
XT5-XT6	Cable rack for fixed and plug-in circuit breaker	KXTFACCRCCK

Ordering codes for accessories

Power connection



Front extended terminal - EF



Front extended spread terminal - ES



FCCu terminal



FCCuAl external terminal



FCCuAl internal terminal

Terminals for circuit-breaker

Terminals for circuit-breaker

Size	Type	3 pcs (1/2 kit for 3p)	4 pcs (1/2 kit for 4p)
		U.S. Ordering Code	U.S. Ordering Code
XT1	F Front terminals	KXT1F-3PC	KXT1F-4PC
XT1	EF Extended front terminals	KXT1EF-3PC	KXT1EF-4PC
XT1	ES Extended spread front terminals	KXT1ES-3PC	KXT1ES-4PC
XT1	FC Cu terminal for Cu cables 14-1/0 AWG ¹	KXT1CU-3PC	KXT1CU-4PC
XT1	FC Cu terminal for Cu cables 14-1/0 AWG	KXT1CUMCP-3PC	-
XT1	FC CuAl terminals for CuAl cables 10-2/0 AWG	KXT1CUAL1-3PC	KXT1CUAL1-4PC
XT1	FC CuAl terminals AuxV for CuAl cables 10-2/0 AWG	KXT1CUAL1C-3PC	KXT1CUAL1C-4PC
XT1	MC Cu multi-cable terminal for Cu cables 6x14-2 AWG	KXT1MC-3PC	KXT1MC-4PC
XT1	R rear Adjustable terminal ⁽¹⁾	KXT1ER-3PC	KXT1ER-4PC
XT1	R-RC Rear terminals for residual current	-	KXT1ERRC-4PC
XT1	FB Flexible busbar terminals	KXT1EFB-3PC	KXT1EFB-4PC
XT2	F Front terminals	KXT2F-PC	KXT2F4PC
XT2	EF Extended front terminals	KXT2EF-3PC	KXT2EF-4PC
XT2	ES Extended spread front terminals	KXT2ES-3PC	KXT2ES-4PC
XT2	FC CuAl terminals for CuAl cables 14-1/0 AWG	KXT2CUAL1-3PC	KXT2CUAL1-4PC
XT2	FC CuAl terminals for CuAl cables 10-2/0 AWG	KXT2CUAL2-3PC	KXT2CUAL2-4PC
XT2	FC CuAl terminals AuxV for CuAl cables 10-2/0 AWG	KXT2CUAL2C-3PC	KXT2CUAL2C-4PC
XT2	FC Cu terminals for Cu cables 14-1/0 AWG	KXT2CU-3PC	KXT2CU-4PC
XT2	MC Cu multi-cable terminals for Cu cables 6x14-2 AWG	KXT2MC-3PC	KXT2MC-4PC
XT2	R Rear adjustable terminals	KXT2ER-PC	KXT2ER-4PC
XT2	FB Flexible busbar terminals	KXT2EFB-3PC	KXT2EFB-4PC

¹ Not suitable for MA trip units

Ordering codes for accessories

Power connection



Multi-cable terminal (MC)



Rear horizontal terminals (R)

Terminals for circuit-breaker

Size	Type	3 pcs (1/2 kit for 3p)	4 pcs (1/2 kit for 4p)
		U.S. Ordering Code	U.S. Ordering Code
XT3	F Front terminals	KXT3F-3PC	KXT3F-4PC
XT3	EF Extended front terminals	KXT3EF-3PC	KXT3EF-4PC
XT3	ES Extended spread front terminals	KXT3ES-3PC	KXT3ES-4PC
XT3	FC CuAl terminals AuxV for CuAl cables 14-1/0 AWG	KXT3CUAL1C-3PC	KXT3CUAL1C-4PC
XT3	FC CuAl terminals for CuAl cables 14-1/0 AWG	KXT3CUAL1-3PC	KXT3CUAL1-4PC
XT3	FC CuAl terminals AuxV for CuAl cables 4 AWG-300 Kcmil	KXT3CUAL2C-3PC	KXT3CUAL2C-4PC
XT3	FC CuAl terminals for CuAl cables 4 AWG-300 Kcmil	KXT3CUAL2-3PC	KXT3CUAL2-4PC
XT3	FC Cu terminals for Cu cables 10-250 AWG	KXT3CU-3PC	KXT3CU-4PC
XT3	MC Cu multi-cable terminals for Cu cables 6x12-2 AWG	KXT3MC-3PC	KXT3MC-4PC
XT3	R Rear adjustable terminals	KXT3ER-3PC	KXT3ER-4PC
XT3	FB Flexible busbar terminals	KXT3EFB-3PC	KXT3EFB-4PC
XT3	R-RC Rear terminal for RC Inst-Sel	-	KXT3ERRC-4PC
XT4	F Front terminals	KXT4F-3PC	KXT4F-4PC
XT4	EF Extended front terminals	KXT4EF-3PC	KXT4EF-4PC
XT4	ES Extended spread front terminals	KXT4ES-3PC	KXT4ES-4PC
XT4	FC CuAl terminals for CuAl cables 14-1/0 AWG	KXT4CUAL1-3PC	KXT4CUAL1-4PC
XT4	FC CuAl terminals AuxV for CuAl cables 14-1/0 AWG	KXT4CUAL1C-3PC	KXT4CUAL1C-4PC
XT4	FC CuAl terminals for CuAl cables 4 AWG-300 Kcmil	KXT4CUAL2-3PC	KXT4CUAL2-4PC
XT4	FC CuAl terminals AuxV for CuAl cables 4 AWG-300 Kcmil	KXT4CUAL2C-3PC	KXT4CUAL2C-4PC
XT4	FC CuAl terminals for CuAl cables 3/0 AWG-350 Kcmil	KXT4CUAL4-3PC	KXT4CUAL4-4PC
XT4	FC CuAl terminals AuxV for CuAl cables 3/0 AWG-350 Kcmil	KXT4CUAL4C-3PC	KXT4CUAL4C-4PC
XT4	FC CuAl terminals for CuAl cables 3/0 AWG-350 Kcmil ¹	KXT4CUAL3-3PC	KXT4CUAL3-4PC
XT4	FC CuAl terminals AuxV for CuAl cables 3/0 AWG-350 Kcmil ¹	KXT4CUAL3C-3PC	KXT4CUAL3C-4PC
XT4	FC Cu terminals for Cu cables 10-250 AWG	KXT4CU-3PC	KXT4CU-4PC
XT4	MC Cu multi-cable terminals for Cu cables 6x12-2 AWG	KXT4MC-3PC	KXT4MC-4PC
XT4	R Rear adjustable terminals	KXT4ER-3PC	KXT4ER-4PC
XT4	FB Flexible busbar terminals	KXT4EFB-3PC	KXT4EFB-4PC

¹ External solution: lugs to be mounted on EF terminals supplied in the kit

Ordering codes for accessories

Power connection

Terminals for circuit-breaker

Size	Type	3 pcs (1/2 kit for 3p)	4 pcs (1/2 kit for 4p)
		U.S. Ordering Code	U.S. Ordering Code
XT5	F Front Terminals	KXT5F-3PC	KXT5F-4PC
XT5	EF Extended front terminals	KXT5EF-3PC	KXT5EF-4PC
XT5	ES Extended spread front terminals	KXT5ES-3PC	KXT5ES-4PC
XT5	FC CuAl 1x4AWG-350kcmil	KXT5CUAL350K-3PC	KXT5CUAL350K-4PC
XT5	FC CuAl 1x4/0-500kcmil	KXT5CUAL500K-3PC	KXT5CUAL500K-4PC
XT5	FC CuAl 2x2/0AWG-500kcmil	KXT5CUAL2X500K-3PC	KXT5CUAL2X500K-4PC
XT5	FC CuAl 1x350-750kcmil ¹	KXT5CUAL1X750KC-3	KXT5CUAL1X750KC-4
XT5	FC CuAl 2x500-750kcmil ¹	KXT5CUAL2X750KC-3	KXT5CUAL2X750KC-4
XT5	FC CuAl 1x500kcmil AuxV	KXT5CUAL500KC-3PC	KXT5CUAL500KC-4PC
XT5	FC CuAl 1x350kcmil AuxV	KXT5CUAL350KC-3PC	KXT5CUAL350KC-4PC
XT5	FC CuAl 2x500kcmil AuxV	KXT5CUAL2X500KC-3	KXT5CUAL2X500KC-4
XT5	FC CuAl 1x750kcmil AuxV ¹	KXT5CUAL1X750KCC-3	KXT5CUAL1X750KCC-4
XT5	FC CuAl 2x750kcmil AuxV ¹	KXT5CUAL2X750KCC-3	KXT5CUAL2X750KCC-4
XT5	MC CuAl 6x14-1/0 AWG	KXT5MC-3PC	KXT5MC-4PC
XT5	R Rear adjustable Terminals	KXT5R-3PC	KXT5R-4PC
XT6	F Front Terminals	KXT6F-3PC	KXT6F-4PC
XT6	EF Extended front terminals	KXT6EF-3PC	KXT6EF-4PC
XT6	ES Extended spread front terminals Upper	KXT6ESUP-3PC	KXT6ES-4PC
XT6	ES Extended spread front terminals Lower	KXT6ESLOW-3PC	KXT6ES-4PC
XT6	FC CuAl 2x250-500kcmil	KXT6CUAL2X500K-3PC	KXT6CUAL2X500K-4PC
XT6	FC CuAl 3x2/0AWG-400kcmil	KXT6CUAL3X400K-3PC	KXT6CUAL3X400K-4PC
XT6	FC CuAl 2x500kcmil AuxV	KXT6CUAL2X500KC-3	KXT6CUAL2X500KC-4
XT6	FC CuAl 3x400kcmil AuxV	KXT6CUAL3X400KC-3	KXT6CUAL3X400KC-4
XT6	FC CuAl 2x500-750kcmil with Control tap	KXT6CUAL2X750KCC-3	KXT6CUAL2X750KCC-4
XT6	R Rear adjustable Terminals	KXT6R-3PC	KXT6R-4PC

¹ Limited to L breaking capacity level

Ordering codes for accessories

Power connection

Terminals loose supply for fixed circuit-breaker

Size	Type	3 pcs (1/2 kit for 3p)	4 pcs (1/2 kit for 4p)
		U.S. Ordering Code	U.S. Ordering Code
XT7-XT7 M	F Front terminals	ZE1FF	ZE1FF-4
XT7-XT7 M	EF Extended front terminals	ZE1EFF	ZE1EFF-4
XT7-XT7 M	ES Extended spread front terminals Upper	ZE1ESF	ZE1ESF-4
XT7-XT7 M	ES Extended spread front terminals Lower	ZE1ESFL	ZE1ESF-4
XT7-XT7 M	FC CuAl 4x4/0 AWG - 500 kcmil	KXT7CUAL4X500K-3PC	KXT7CUAL4X500K-4PC
XT7-XT7 M	FC CuAl 4x4/0 AWG - 500 kcmil AuxV	KXT7CUAL4X500KC3PC	KXT7CUAL4X500KC4PC
XT7-XT7 M	FC CuAl 3x500-750kcmil AuxV	KXT7CUAL3X750KC-3	KXT7CUAL3X750KC-4
XT7-XT7 M	HR/VR Adjustable rear terminals	ZE1HRVRF	ZE2HRVRF-4
XT7-XT7 M	HR Horizontal rear terminals	KT7XHR-3	-
XT7-XT7 M	VR Vertical rear terminals	KT7XVR-3	-

Ordering codes for accessories

Power connection

Terminals for fixed parts



EF terminal for fixed part

Terminals for the fixed parts

Size	Type	3 pcs (1/2 kit for 3p)	4 pcs (1/2 kit for 4p)
		U.S. Ordering Code	U.S. Ordering Code
XT1	EF – Front extended terminals	KXT1EEFFP-3	KXT1EEFFP-4
XT1	HR/VR – Rear terminals	KXT1ERFP-3	KXT1ERFP-4
XT2	EF – Front extended terminals	KXT2EEFFP-3	KXT2EEFFP-4
XT2	HR/VR – Rear terminals	KXT2ERFP-3	KXT2ERFP-4
XT3	EF – Front extended terminals	KXT3EEFFP-3	KXT3EEFFP-4
XT3	HR/VR – Rear terminals	KXTEERFP-3	KXTEERFP-4
XT4	EF – Front extended terminals	KXT4EEFFP-3	KXT4EEFFP-4
XT4	HR/VR – Rear terminals	KXT3ECUAL2-3PC	KXT3ECUAL2-4PC
XT5	EF – Front Extended Term. 400A	KXT5EFFPUL4-3PC	KXT5EFFPUL4-4PC
XT5	HR/VR – Rear Terminals UL 400A	KXT5HRVRFUL4-3PC	KXT5HRVRFUL4-4PC
XT5	HR/VR – Rear Terminals (same length) 400A	KXT5HRVRFPSL4-3PC	KXT5HRVRFPSL4-4PC
XT5	EF – Front Extended Term. 630A	KXT5EFFP-3PC	KXT5EFFP-4PC
XT5	HR – Rear Horizontal Term. 630A	KXT5HRFP-3PC	KXT5HRFP-4PC
XT5	VR – Rear Vertical Term. 630A	KXT5VRFP6-3PC	KXT5VRFP6-4PC
XT6	EF – Front Extended Terminals	KXT6EFFP-3PC	KXT6EFFP-4PC
XT6	HR – Rear Horizontal Terminals	KXT6HRFP-3PC	KXT6HRFP-4PC
XT6	VR – Rear Vertical Terminals	KXT6VRFP-3PC	KXT6VRFP-4PC



HR terminals for fixed part

Terminals loose supply for fixed parts

Size	Type	3 pcs (1/2 kit for 3p)	4 pcs (1/2 kit for 4p)
		U.S. Ordering Code	U.S. Ordering Code
XT7-XT7 M	EF – Front extended terminals	ZE1EFW	ZE1EFW-4
XT7-XT7 M	ES – Front extended spread terminals	ZE1ESW	ZE1ESW-4
XT7-XT7 M	HR/VR – Rear terminals	KXT7HRVRW-3PC	KXT7HRVRW-4PC
XT7-XT7 M	SHR – Rear spread horizontal terminals	ZE1SHRWE	ZE1SHRWE-4
XT7-XT7 M	FC CuAl 4x4/0 AWG - 500 kcmil	ZE1LUGW	ZE1LUGW-4

Ordering codes for accessories

Power connection

Fixed part adapters

Adapter for mounting the terminals of the fixed circuit-breaker on the fixed part



Fixed part adapter

Size	Type	3 poles	4 poles
		U.S. Ordering Code	U.S. Ordering Code
XT1	XT1 ADP adapter fixed part (2 pieces)	KXT1ADP-3	KXT1ADP-4
XT2	XT2 ADP adapter fixed part (2 pieces)	KXT2ADP-3	KXT2ADP-4
XT3	XT3 ADP adapter fixed part (2 pieces)	KXT3EADP-3	KXT3EADP-4
XT4	XT4 ADP adapter fixed part (2 pieces)	KXT4ADP-3	KXT4ADP-4
XT5	XT5 400A ADP adapter fixed part (2 pcs)	KXT5ADP400-3	KXT5ADP400-4
XT5	XT5 630A ADP adapter fixed part (2 pcs)	KXT5ADP600-3	KXT5ADP600-4
XT6	XT6 ADP adapter fixed part (2 pieces)	KXT6ADP-3	KXT6ADP-4

Note: in order to install fixed version terminals on the ADP, the "Kit F - Front terminals" is needed.

Ordering codes for accessories

Signaling

Auxiliary contacts - AUX

Auxiliary contacts - AUX



AUX uncabled

Size	Type	Fixed/Plug-in
		U.S. Ordering Code
Uncabled version		
XT1-XT3	AUX 250V AC/DC	KXTAAUX
XT1-XT3	AUX 24V DC	KXTAAUXD
Cabled version		
XT1	AUX-C 3Q 250V AC/DC Left	KXT1AXC3QL
XT1-XT3	AUX-C 1Q+1SY 250V AC/DC	KXTAAXCQSYFP
XT1-XT3	AUX-C 2Q+1SY 250V AC/DC	KXTAAXC2QSYFP
XT1-XT3	AUX-C 1Q+1SY 24V DC	KXTAAXCDQSYFP
XT3	AUX-C 3Q+1SY 250V AC/DC	KXTDAXC3QSYFP
XT3	AUX-C 3Q+1SY 24V DC	KXTDAXCD3QSYFP
XT3	AUX-C 3Q 250V AC/DC Left	KXT3AXC3QL



AUX cabled

Auxiliary contacts - AUX

Size	Type	Fixed/Plug-in	Withdrawable
		U.S. Ordering Code	U.S. Ordering Code
Uncabled version			
XT2-XT4	AUX 250V AC/DC	KXTAAUX	-
XT2-XT4	AUX-S51 250V AC/DC	KXTCAXS51	-
XT2-XT4	AUX 24V DC	KXTAAUXD	-
XT2-XT4	AUX-S51 24V DC	KXTCAXDS51	-
Cabled version			
XT2-XT4	AUX-C 3Q 250V AC/DC Left	KXTCAXC3QL	-
XT2-XT4	AUX-C 1Q+1SY 250V AC/DC	KXTAAXCQSYFP	KXTCAXCQSYW
XT2-XT4	AUX-C 2Q+1SY 250V AC/DC	KXTAAXC2QSYFP	-
XT2-XT4	AUX-C 2Q+2SY+S51 250V AC/DC	KXTCAXC2Q2SYS51FP	KXTCAXC2Q2SYS51W
XT2-XT4	AUX-C 3Q+1SY 250V AC/DC	KXTDAXC3QSYFP	KXTCAXC3QSYW
XT2-XT4	AUX-C 3Q+2SY 250V AC/DC	KXTCAXC3Q2SYFP	KXTCAXC3Q2SYW
XT2-XT4	AUX-S51-C 250V AC/DC	KXTCAXCS51FP	KXTCAXCS51W
XT2-XT4	AUX-C 1Q+1SY 24V DC	KXTAAXCDQSYFP	KXTCAXCDQSYW
XT2-XT4	AUX-C 3Q+1SY 24V DC	KXTDAXCD3QSYFP	KXTCAXCD3QSYW
XT2-XT4	AUX-S51-C 24V DC	KXTCAXDS51FP	KXTCAXDS51W
XT2-XT4	AUX-C 1Q+1SY 400V AC	KXTCAXC4QSYFP	KXTCAXC4QSYW
XT2-XT4	AUX-C 2Q 400V AC	KXTCAXC42QFP	KXTCAXC42QW

Ordering codes for accessories

Signaling



AUX for withdrawable

Auxiliary contacts - AUX

Size	Type	Fixed/Plug-in	Withdrawable
		U.S. Ordering Code	U.S. Ordering Code
Uncabled version			
XT5	AUX 250V AC/DC	KXTAAUX	-
XT5	AUX 24V DC	KXTAAUXD	-
Cabled version			
XT5	AUX-C 1Q+1SY 250V AC/DC left	KXT5AUXC2QYFP	-
XT5	AUX-C 1Q+1SY 250V AC/DC	KXTAAXCQSYFP	KXT5AUXC2QYW
XT5	AUX-C 2Q+1SY 250V AC/DC	KXTAAXC2QSYFP	KXT5AUXC2Q2YW
XT5	AUX-C 3Q+1SY 250V AC/DC	KXTDAXC3QSYFP	KXT5AUXC2Q3YW
XT5	AUX-S51-C 250V AC/DC	KXTCAXCS51FP	KXT5AUXC2S51W
XT5	AUX-S52-C 250V AC/DC	KXTFAUXC2S52FP	KXT5AUXC2S52W
XT5	AUX-C 1Q+1SY 24V DC left	KXT5AUXCDQYFP	-
XT5	AUX-C 1Q+1SY 24V DC	KXTAAXCDQSYFP	KXT5AUXCDQYW
XT5	AUX-C 3Q+1SY 24V DC	KXTDAXCD3QSYFP	KXT5AUXCDQ3YW
XT5	AUX-S51-C 24V DC	KXTCAXDS51FP	KXT5AUXCDS51W
XT5	AUX-S52-C 24V DC	KXTFAUXCDS52FP	KXT5AUXCDS52W
XT5	AUX-C 1Q+1SY 400V AC	KXT5AUXC4QYFP	KXT5AUXC4QYW
XT5	AUX-C 2Q 400V AC	KXT5AUXC4Q2FP	KXT5AUXC4Q2W

Auxiliary contacts - AUX

Size	Type	Fixed/Plug-in	Withdrawable
		U.S. Ordering Code	U.S. Ordering Code
Uncabled version			
XT6	AUX 250V AC/DC	KXTAAUX	-
XT6	AUX 24V DC	KXTAAUXD	-
Cabled version			
XT6	AUX-C 1Q+1SY 250V AC/DC	KXTAAXCQSYFP	KXT5AUXC2QYW
XT6	AUX-C 2Q+1SY 250V AC/DC	KXTAAXC2QSYFP	KXT5AUXC2Q2YW
XT6	AUX-C 3Q+1SY 250V AC/DC	KXTDAXC3QSYFP	KXT5AUXC2Q3YW
XT6	AUX-S51-C 250V AC/DC	KXTCAXCS51FP	KXT5AUXC2S51W
XT6	AUX-S52-C 250V AC/DC	KXTFAUXC2S52FP	KXT5AUXC2S52W
XT6	AUX-C 1Q+1SY 24V DC	KXTAAXCDQSYFP	KXT5AUXCDQYW
XT6	AUX-C 3Q+1SY 24V DC	KXTDAXCD3QSYFP	KXT5AUXCDQ3YW
XT6	AUX-S51-C 24V DC	KXTCAXDS51FP	KXT5AUXCDS51W
XT6	AUX-S52-C 24V DC	KXTFAUXCDS52FP	KXT5AUXCDS52W

Ordering codes for accessories

Signaling



Open/close auxiliary contacts - AUX

Auxiliary contacts - AUX

Size	Type	Withdrawable
		U.S. Ordering Code
XT7-XT7 M	AUX 4Q 400V	ZE1AUX4
XT7-XT7 M	AUX 4Q 24Vdc	ZE1AUX4D
XT7-XT7 M	AUX 2Q 400VAC + 2Q 24VDC	ZE1AUX2-2D
XT7-XT7 M	AUX S51 250V	ZE1BA
XT7-XT7 M	AUX S51 24V	ZE1BAD
XT7	AUX 15Y 400V	KXT7AUX4Y
XT7	AUX 15Y 24V	KXT7AUXDY
XT7 ²	AUX 1S52 250V	KXT7AUX2S52
XT7 ²	AUX 1S52 24V	KXT7AUXDS52
XT7-XT7 M ¹	AUX 15Q 400V	ZE1AUX15
XT7-XT7 M ¹	AUX 15Q 24V	ZE1AUX15D
XT7 M	RTC 250V	ZE1RTC
XT7 M	RTC 24V	ZE1RTCD
XT7 M	AUX S33 M/2 250V	KXT7 MAUX2S33M2
XT7 M	AUX S33 M/2 24V	KXTMAUXDS33M2

¹ Not compatible with mechanical locks on compartment doors or mechanical interlocks.

For XT7 M you need to order also one of the following items:

- Plate for fixed - floor mounted code 1SDA079783R1
- Plate for fixed - wall mounted code 1SDA079782R1
- Plate for withdrawable code 1SDA079784R1

For XT7 M withdrawable, the AUX 15Q works only in racked-in position.

² Tripping signal is available only on YU/YO2 coils installed in the dedicated slot.



Terminal for auxiliary connection

Terminals for auxiliary connection

Size	Type	U.S. Ordering Code
XT7-XT7 M	Terminals 10 pcs	ZEATB10

Ordering codes for accessories

Signaling

Auxiliary position contacts - AUP

Auxiliary position contacts -AUP



Auxiliary position contact
- AUP

Size	Type	U.S. Ordering Code
XT1-XT3	AUP-I – Four racked-in contacts 250V AC	KXTAAUP250IN
XT1-XT3	AUP-I – Four racked-in contacts 24V DC	KXTAAUP24IN
XT2-XT4	AUP-I – Four racked-in contacts 250V AC	KXTAAUP250IN
XT2-XT4	AUP-I – Four racked-in contacts 24V DC	KXTAAUP24IN
XT2-XT4	AUP-R – Two racked-out contacts 250V AC	KXTCAUP250W
XT2-XT4	AUP-R – Two racked-out contacts 24V DC	KXTCAUP24W
XT7-XT7 M	AUP 6 contacts 24V	ZE1AUPD
XT7-XT7 M	AUP 6 contacts 400V	ZE1AUP

Early auxiliary contacts - AUE

Auxiliary contacts - AUX



Early auxiliary contacts
in the handle - AUE

Size	Type	3 poles	4 poles
		U.S. Ordering Code	U.S. Ordering Code
XT1-XT3	AUE - Two contacts in rotary handle RHx (closed)	KXTAAUECLFP	–
XT1-XT3	AUE - Two contacts in rotary handle RHx (open)	KXTDAUEOPFP	–
XT2-XT4	AUE - Two contacts in rotary handle RHx (closed)	KXTAAUECLFP	KXTCAUECLW
XT2-XT4	AUE - Two contacts in rotary handle RHx (open)	KXTDAUEOPFP	KXTCAUEOPW
XT5-XT6	AUE - Two contacts in rotary handle RHx (closed)	KXTFAUECLFP	KXTFAUECLW
XT7	AUE - Two contacts in circuit-breaker (closed)	KXT7AUECL	KXT7AUECL

Ordering codes for accessories

Operating mechanism

Rotary and flange handle operating mechanism

Rotary handles XT1-XT3



Direct rotary handle - RHD



Transmitted rotary handle - RHE

Size	Type	3 poles U.S. Ordering Code
XT1-XT3	RHD Normal direct handle	KXTBRHDSTFP
XT1-XT3	RHD Direct emergency handle	KXTBRHDEMFP
XT1-XT3	RHE Normal transmitted handle	KXTBRHESTFP
XT1-XT3	RHE Emergency transmitted handle	KXTBRHEEMFP
XT1-XT3	RHE-PL Normal extended handle +2PLL	KXTBRHESTFPPLK
XT1-XT3	RHE-PL Emergency extended handle +2PLL	KXTBRHEEMFPPLK
XT1-XT3	RHE_MB Metallic base for transmitted handle	KXTMRHESTFP
XT1-XT3	RHS-L Normal left lateral handle	KXTBRHSLSTFP
XT1-XT3	RHS-L Emergency left lateral handle	KXTBRHSLSEMFP
XT1-XT3	RHS-R Normal right lateral handle	KXTBRHSRSTFP
XT1-XT3	RHS-R Emergency right lateral handle	KXTBRHSREMFP
Spare parts for transmitted handle		
XT1-XT3	RHE_B Base for transmitted handle	KXTBRHEBFP
XT1-XT3	RHE-B base for extended handle +2PLL	KXTBRHEBFPPLK
XT1-XT3	RHE_S Rod of 500mm	KXTARHES500
XT1-XT3	RHE_SS Rod support for RHE_MB	KXTMRHESS
XT1-XT3	RHE_H Normal transmitted handle	KXTARHEHST
XT1-XT3	RHE_H Emergency transmitted handle	KXTARHEHEM
XT1-XT3	LH Normal large handle	KXTALHNDLST
XT1-XT3	LH Large emergency handle	KXTALHNDLEM

Ordering codes for accessories

Operating mechanism



Large handle - LH



Lateral handle - RHS

Rotary handles XT2-XT4

Size	Type	3 poles	Withdrawable
		U.S. Ordering Code	U.S. Ordering Code
XT2-XT4	RHD Normal direct handle	KXTCRHDSTFP	KXTCRHDSTW
XT2-XT4	RHD Direct emergency handle	KXTCRHDEMFP	KXTCRHDEMW
XT2-XT4	RHE Normal transmitted handle	KXTCRHESTFP	KXTCRHESTW
XT2-XT4	RHE Emergency transmitted handle	KXTCRHEEMFP	KXTCRHEEMW
XT2-XT4	RHE-PL Normal extended handle +2PLL	KXTCRHESTFPPLK	KXTCRHESTWPLK
XT2-XT4	RHE-PL Emergency extended handle +2PLL	KXTCRHEEMFPPLK	KXTCRHEEMWPLK
XT2-XT4	RHE_MB Metallic base for transmitted handle	KXTMRHESTFP	–
XT2-XT4	RHS-L Normal left lateral handle	KXTCRHSLSSTFP	–
XT2-XT4	RHS-L Emergency left lateral handle	KXTCRHSLEMFP	–
XT2-XT4	RHS-R Normal right lateral handle	KXTCRHSRSTFP	–
XT2-XT4	RHS-R Emergency right lateral handle	KXTCRHSREMFP	–
Spare parts for transmitted handle			
XT2-XT4	RHE_B Base for transmitted handle	KXTCRHEBFP	KXTCRHEBW
XT2-XT4	RHE-B base for extended handle +2PLL	KXTCRHEBFPLK	KXTCRHEBWPLK
XT2-XT4	RHE_S Rod of 500mm	KXTARHES500	–
XT2-XT4	RHE_SS Rod support for RHE_MB	KXTMRHESS	–
XT2-XT4	Telescopic Rod kit	KXTHRHETR	–
XT2-XT4	RHE_H Normal transmitted handle	KXTARHEHST	–
XT2-XT4	RHE_H Emergency transmitted handle	KXTARHEHEM	–
XT2-XT4	LH Normal large handle	KXTALHNDLST	–
XT2-XT4	LH Large emergency handle	KXTALHNDLEM	–

Ordering codes for accessories

Operating mechanism

Shafts and NEMA Rated Handles for RHE_MB

Size	Type	Product ID
XT1...XT4	Standard Pistol handle with reset function, 65mm, NEMA, 3R,12	OHB65J10B
XT1...XT4	Emergency Pistol handle with reset function, 65mm, NEMA, 3R,12	OHY65J10B
XT1...XT4	Standard Pistol handle with reset function, 65mm, NEMA, 4,4X	OHB65L10B
XT1...XT4	Emergency Pistol handle with reset function, 65mm, NEMA, 4,4X	OHY65L10B
XT1...XT7	Standard Pistol handle with reset function, 125mm, NEMA, 3R,12	OHB125J10B
XT1...XT7	Emergency Pistol handle with reset function, 125mm, NEMA, 3R,12	OHY125J10B
XT1...XT7	Standard Pistol handle with reset function, 125mm, NEMA, 4,4X	OHB125L10B
XT1...XT7	Emergency Pistol handle with reset function, 125mm, NEMA, 4,4X	OHY125L10B
XT1...XT7	148mm Pistol handle shaft	OXP10X148
XT1...XT7	225mm Pistol handle shaft	OXP10X225
XT1...XT7	500mm Pistol handle shaft	OXP10X500

Compatible with RHE_MB



(RHD) direct rotary handle + 2PIL

Rotary handle XT5

Size	Type	Fixed/Plug-in	Withdrawable
		U.S. Ordering Code	U.S. Ordering Code
XT5	RHD Normal Direct Handle	KXT5RHDSTFP	KXT5RHDSTW
XT5	RHD Normal Direct Handle + 2PLL	KXT5RHDSTFP2PL	KXT5RHDSTW2PL
XT5	RHD Direct Emergency Handle	KXT5RHDEMFP	KXT5RHDEMW
XT5	RHE Normal Transmitted Handle	KXT5RHESTFP	KXT5RHESTW
XT5	RHE Emergency Transmitted Handle	KXT5RHEEMF	KXT5RHEEMW
Spare parts for transmitted handle			
XT5	RHE_B Base for Transmitted Handle	KXT5RHEBFP	KXT5RHEBW
XT5	RHE_B Base for Transmitted Handle + 2PLL	KXT5RHEBFP2PL	KXT5RHEBW2PL
XT5	RHE_MB Metallic base for transmitted handle	KXT5MRHESTFP	-
XT5	RHE_S Rod of 500mm	KXTJRHEFW500MM	-
XT5	Telescopic rod kit	KXTHRHETR	-
XT5	RHE_H Normal Transmitted Handle	KXT5RHESTH	KXT5RHESTH
XT5	RHE_H Emergency Transmitted Handle	KXT5RHEEMH	KXT5RHEEMH
XT5	Conversion kit RHE->RHS	KXT5RHE2RHS	-

Ordering codes for accessories

Operating mechanism



(RHE) extended rotary handle

Rotary handles XT6

Size	Type	Fixed	Withdrawable
		U.S. Ordering Code	U.S. Ordering Code
XT6	RHD Normal Direct Handle	KXT6RHDSTFP	KXT6RHDSTW
XT6	RHD Normal Direct Handle + 2PLL	KXT6RHDSTFP2PL	KXT6RHDSTW2PL
XT6	RHD Direct Emergency Handle	KXT6RHDEMFP	KXT6RHDEMW
XT6	RHE Normal Transmitted Handle	KXT6RHESTFP	KXT6RHESTW
XT6	RHE Emergency Transmitted Handle	KXT6RHEEMF	KXT6RHEEMW
Spare parts for flange handle			
XT6	RHE_B Base for Transmitted Handle	KXT6RHEBFP	KXT6RHEBW
XT6	RHE_B Base for Transmitted Handle + 2PLL	KXT6RHEBFP2PL	KXT6RHEBW2PL
XT6	RHE_MB Metallic base for transmitted handle	KXT6MRHESTFP	–
XT6	RHE_S Rod of 500mm	KXTJRHESFW500MM	–
XT6	Telescopic rod kit	KXTHRHETR	–
XT6	RHE_H Normal Transmitted Handle	KXT7RHESTH	–
XT6	RHE_H Emergency Transmitted Handle	KXT7RHEEMH	–



Flange handle XT5

Flange Handle XT1...XT6

Size	Type	U.S. Ordering Code
Circuit breaker mechanism		
XT1...XT4 ¹	FH_M Breaker mechanism	KXTAFLHDLMECH
XT5 ²	FH_M Breaker mechanism	KXT5FLHDLMECH
XT6 ²	FH_M Breaker mechanism	KXT6FLHDLMECH
Handle		
XT1...XT6	FH_H Handle L=6in Type 1, 3, 12, 13	KXTAFLHDL6IN
XT1...XT6	FH_H Handle L=10in Type 1, 3, 12, 13	KXTAFLHDL10IN
XT1...XT6	FH_H Handle L=6in Type 4/4X	KXTAFLHDL6IN4X
XT1...XT6	FH_H Handle L=10in Type 4/4X	KXTAFLHDL10IN4X
Cable		
XT1...XT6	FH_C Cable L=3ft	SC3L
XT1...XT6	FH_C Cable L=4ft	SC4L
XT1...XT6	FH_C Cable L=5ft	SC5L
XT1...XT6	FH_C Cable L=6ft	SC6L
XT1...XT6	FH_C Cable L=8ft	SC8L
XT1...XT6	FH_C Cable L=10ft	SC10L

The flange handle kit is complete by ordering 3 codes (circuit-breaker mechanism, handle and cable).

¹ Suitable to 3 and 4-pole circuit breaker in fixed and plug-in version.

² Only for 3-pole, fixed version circuit-breakers.

RHE NFPA handle

Size	Type	U.S. Ordering Code
XT1...XT6	RHE NFPA handle	KXTANFPAHDL



NFPA handle

Ordering codes for accessories

Operating mechanism



Direct rotary handle + 2PLL XT7 - RHD



Transmitted rotary handle + 2PLL XT7 - RHE



Flange handle XT7

Rotary handles XT7

Size	Type	Fixed	Withdrawable
		U.S. Ordering Code	U.S. Ordering Code
XT7	RHD Normal direct handle	KXT7RHDSTFW	KXT7RHDSTFW
XT7	RHD Normal direct handle + 2PLL	KXT7RHDSTFW2PL	KXT7RHDSTFW2PL
XT7	RHD Direct emergency handle	KXT7RHDEMFW	KXT7RHDEMFW
XT7	RHE Normal transmitted handle	KXT7RHEST	KXT7RHEST
XT7	RHE Emergency transmitted handle	KXT7RHEEM	KXT7RHEEM
Spare parts for transmitted handle			
XT7	RHE_B Base for transmitted handle	KXT7RHEB	KXT7RHEB
XT7	RHE_B Base for transmitted handle + 2PLL	KXT7RHEB2PL	KXT7RHEB2PL
XT7	RHE_MB Metallic base for transmitted handle	KXT7 MRHEST	-
XT7	RHE_S Rod of 500mm	KXTJRHEFW500MM	-
XT7	Telescopic Rod kit	KXTHRHETR	-
XT7	RHE_H Normal transmitted handle	KXT7RHESTH	-
XT7	RHE_H Emergency transmitted handle	KXT7RHEEMH	-

Flange handle XT7

Size	Type	Fixed ¹
		U.S. Ordering Code
Circuit breaker mechanism		
XT7	FH_M Breaker mechanism	KXT7FLHDLMECH
Handle		
XT7	FH_H Handle L=10in Type 1, 3, 12, 13	KXTBFLHDL10IN
XT7	FH_H Handle L=10in Type 4, 4X	KXTBFLHDL10IN4X
Cable		
XT7	FH_C Cable L=3ft	SC3H
XT7	FH_C Cable L=4ft	SC4H
XT7	FH_C Cable L=5ft	SC5H
XT7	FH_C Cable L=6ft	SC6H
XT7	FH_C Cable L=8ft	SC8H
XT7	FH_C Cable L=10ft	SC10H

The flange handle kit is complete by ordering 3 codes (circuit-breaker mechanism, handle and cable).

¹ Only for 3-pole circuit-breakers.

Ordering codes for accessories

Operating mechanism



Front for operating lever mechanism - FLD

Front for operating lever mechanism - FLD

Front for operating lever mechanism - FLD

Size	Type	Fixed	Withdrawable
		U.S. Ordering Code	U.S. Ordering Code
XT2-XT4	Front for locks - FLD	KXTCFLDFP	KXTCFLDW
XT5	Front for FLD locks	KXT5FLDFP	KXT5FLDW
XT6	Front for FLD locks	KXT6FLDFP	KXT6FLDW

Ordering codes for accessories

Remote control

Shunt Opening Release / Shunt Trip

Shunt opening release / Shunt Trip - SOR



SOR uncabled



SOR cabled



SOR for withdrawable version



YO - shunt opening release

Size	Type	Fixed/Plug-in	Withdrawable
		U.S. Ordering Code	U.S. Ordering Code
Uncabled version			
XT1...XT4	SOR 12V DC	KXTASORA	-
XT1...XT4	SOR 24-30V AC/DC	KXTASORB	-
XT1...XT4	SOR 48-60V AC/DC	KXTASORC	-
XT1...XT4	SOR 110...127V AC / 110...125V DC	KXTASORD	-
XT1...XT4	SOR 220...240V AC / 220...250V DC	KXTASORE	-
XT1...XT4	SOR 380-440V AC	KXTASORF	-
XT1...XT4	SOR 480-525V AC	KXTASORG	-
Cabled version			
XT1-XT3	SOR-C 12V DC	KXTASORCFPA	-
XT1-XT3	SOR-C 24-30V AC/DC	KXTASORCFPB	-
XT1-XT3	SOR-C 48-60V AC/DC	KXTASORCFPC	-
XT1-XT3	SOR-C 110-127V AC / 110-125V DC	KXTASORCFPD	-
XT1-XT3	SOR-C 220-240V AC / 220-250V DC	KXTASORCFPE	-
XT1-XT3	SOR-C 380-440V AC	KXTASORCFPF	-
XT1-XT3	SOR-C 480-525V AC	KXTASORCFPG	-
XT2-XT4	SOR-C 12V DC	KXTASORCFPA	KXTCSORCWA
XT2-XT4	SOR-C 24-30V AC/DC	KXTASORCFPB	KXTCSORCWB
XT2-XT4	SOR-C 48-60V AC/DC	KXTASORCFPC	KXTCSORCWC
XT2-XT4	SOR-C 110-127V AC / 110-125V DC	KXTASORCFPD	KXTCSORCWD
XT2-XT4	SOR-C 220-240V AC / 220-250V DC	KXTASORCFPE	KXTCSORCWE
XT2-XT4	SOR-C 380-440V AC	KXTASORCFPF	KXTCSORCWF
XT2-XT4	SOR-C 480-525V AC	KXTASORCFPG	KXTCSORCWG

Shunt opening release / Shunt Trip - YO

Size	Type	Fixed/Plug-in	Withdrawable
		U.S. Ordering Code	U.S. Ordering Code
Uncabled version			
XT5-XT6	YO 12V DC	KXTFYOA	-
XT5-XT6	YO 24...60V AC/DC	KXTFYOB	-
XT5-XT6	YO 110..240 V AC - 110..250V DC	KXTFYOD	-
XT5-XT6	YO 380...440V AC	KXTFYOG	-
XT5-XT6	YO 480...525V AC	-	-
Cabled version			
XT5	YO 12V DC	KXTFYOCFPA	KXT5YOCWA
XT5	YO 24...60V AC/DC	KXTFYOCFPB	KXT5YOCWB
XT5	YO 110..240V AC - 110..250V DC	KXTFYOCFPD	KXT5YOCWD
XT5	YO 380...440V AC	KXTFYOCFPG	KXT5YOCWG
XT5	YO 480...525V AC	-	-
XT6	YO 12V DC	KXTFYOCFPA	KXT6YOCWA
XT6	YO 24...60V AC/DC	KXTFYOCFPB	KXT6YOCWB
XT6	YO 110..240V AC - 110..250V DC	KXTFYOCFPD	KXT6YOCWD
XT6	YO 380...440V AC	KXTFYOCFPG	KXT6YOCWG

Ordering codes for accessories

Remote control



— Shunt opening release - YO

Shunt opening release / Shunt Trip -YO

Size	Type	U.S. Ordering Code
XT7-XT7 M	YO 24V AC/DC	ZEASA
XT7-XT7 M	YO 30V AC/DC	ZEASB
XT7-XT7 M	YO 48V AC/DC	ZEASC
XT7-XT7 M	YO 60V AC/DC	ZEASD
XT7-XT7 M	YO 110-120V AC/DC	ZEASE
XT7-XT7 M	YO 120-127V AC/DC	ZEASF
XT7-XT7 M	YO 220-240V AC/DC	ZEASG
XT7-XT7 M	YO 240-250V AC/DC	ZEASH
XT7-XT7 M	YO 380-400V AC	ZEASK
XT7-XT7 M	YO 415-440V AC	ZEASL
XT7-XT7 M	YO 480-500V AC	ZEASM

Undervoltage release

Undervoltage release - UVR



— UVR uncabled



— UVR cabled



— UVR for withdrawable

Size	Type	Fixed/Plug-in	Withdrawable
		U.S. Ordering Code	U.S. Ordering Code
Uncabled version			
XT1...XT4	UVR 24-30V AC/DC	KXTAUVR1	—
XT1...XT4	UVR 48V AC/DC	KXTAUVR2	—
XT1...XT4	UVR 60V AC/DC	KXTAUVR3	—
XT1...XT4	UVR 110...127V AC / 110...125V DC	KXTAUVR4	—
XT1...XT4	UVR 220...240V AC / 220...250V DC	KXTAUVR5	—
XT1...XT4	UVR 380-440V AC	KXTAUVR6	—
XT1...XT4	UVR 480-525V AC	KXTAUVR7	—
Cabled version			
XT1-XT3	UVR-C 24-30V AC/DC	KXTAUVRCFP1	—
XT1-XT3	UVR 48V AC/DC	KXTAUVRCFP2	—
XT1-XT3	UVR 60V AC/DC	KXTAUVRCFP3	—
XT1-XT3	UVR 110...127V AC / 110...125V DC	KXTAUVRCFP4	—
XT1-XT3	UVR 220...240V AC / 220...250V DC	KXTAUVRCFP5	—
XT1-XT3	UVR 380-440V AC	KXTAUVRCFP6	—
XT1-XT3	UVR 480-525V AC	KXTAUVRCFP7	—
XT2-XT4	UVR-C 24-30V AC/DC	KXTAUVRCFP1	KXTCUVRW1
XT2-XT4	UVR 48V AC/DC	KXTAUVRCFP2	KXTCUVRW2
XT2-XT4	UVR 60V AC/DC	KXTAUVRCFP3	KXTCUVRW3
XT2-XT4	UVR 110...127V AC / 110...125V DC	KXTAUVRCFP4	KXTCUVRW4
XT2-XT4	UVR 220...240V AC / 220...250V DC	KXTAUVRCFP5	KXTCUVRW5
XT2-XT4	UVR 380-440V AC	KXTAUVRCFP6	KXTCUVRW6
XT2-XT4	UVR 480-525V AC	KXTAUVRCFP7	KXTCUVRW7

Ordering codes for accessories

Remote control



YU - undervoltage release

Undervoltage release - YU

Size	Type	Fixed/Plug-in	Withdrawable
		U.S. Ordering Code	U.S. Ordering Code
Uncabled version			
XT5-XT6	YU 12 Vdc	KXTFYU0	-
XT5-XT6	YU 24...30 Vac/dc	KXTFYU1	-
XT5-XT6	YU 48...60 Vac/dc	KXTFYU2	-
XT5-XT6	YU 110..127 Vac - 110..125 Vdc	KXTFYU4	-
XT5-XT6	YU 220..240 Vac - 220..250 Vdc	KXTFYU5	-
XT5-XT6	YU 380...440 Vac	KXTFYU6	-
XT5-XT6	YU 480...525 Vac	KXTFYU7	-
Cabled version			
XT5	YU-C 12 Vdc	KXTFYUC0	KXT5YUCW0
XT5	YU-C 24...30 Vac/dc	KXTFYUC1	KXT5YUCW1
XT5	YU-C 48...60 Vac/dc	KXTFYUC2	KXT5YUCW2
XT5	YU-C 110..127 Vac - 110..125 Vdc	KXTFYUC4	KXT5YUCW4
XT5	YU-C 220..240 Vac - 220..250 Vdc	KXTFYUC5	KXT5YUCW5
XT5	YU-C 380...440 Vac	KXTFYUC6	KXT5YUCW6
XT5	YU-C 480...525 Vac	KXTFYUC7	KXT5YUCW7
XT6	YU-C 12 Vdc	KXTFYUC0	KXT6YUCW0
XT6	YU-C 24...30 Vac/dc	KXTFYUC1	KXT6YUCW1
XT6	YU-C 48...60 Vac/dc	KXTFYUC2	KXT6YUCW2
XT6	YU-C 110..127 Vac - 110..125 Vdc	KXTFYUC4	KXT6YUCW4
XT6	YU-C 220..240 Vac - 220..250 Vdc	KXTFYUC5	KXT6YUCW5
XT6	YU-C 380...440 Vac	KXTFYUC6	KXT6YUCW6
XT6	YU-C 480...525 Vac	KXTFYUC7	KXT6YUCW7



Undervoltage release - YU

Undervoltage release -YU

Size	Type	U.S. Ordering Code
XT7-XT7 M	YU 24V AC/DC	ZEAUA
XT7-XT7 M	YU 30V AC/DC	ZEAUB
XT7-XT7 M	YU 48V AC/DC	ZEAUC
XT7-XT7 M	YU 60V AC/DC	ZEAUD
XT7-XT7 M	YU 110-120V AC/DC	ZEAUE
XT7-XT7 M	YU 120-127V AC/DC	ZEAUF
XT7-XT7 M	YU 220-240V AC/DC	ZEAUG
XT7-XT7 M	YU 240-250V AC/DC	ZEAUH
XT7-XT7 M	YU 380-400V AC	ZEAUK
XT7-XT7 M	YU 415-440V AC	ZEAUL
XT7-XT7 M	YU 480-500V AC	ZEAUM

Ordering codes for accessories

Remote control



Closing release - YC

Closing release -YC

Size	Type	U.S. Ordering Code
XT7 M	YC 24V AC/DC	ZEACA
XT7 M	YC 30V AC/DC	ZEACB
XT7 M	YC 48V AC/DC	ZEACC
XT7 M	YC 60V AC/DC	ZEACD
XT7 M	YC 110-120V AC/DC	ZEACE
XT7 M	YC 120-127V AC/DC	ZEACF
XT7 M	YC 220-240V AC/DC	ZEACG
XT7 M	YC 240-250V AC/DC	ZEACH
XT7 M	YC 380-400V AC	ZEACK
XT7 M	YC 415-440V AC	ZEACL
XT7 M	YC 480-500V AC	ZEACM

Shunt opening test unit

SOR/YO Test unit

Size	Type	U.S. Ordering Code
XT1...XT7 M	YO/YC test unit	ZEAYOYCT

Delay device for undervoltage release - UVD

Delay device for undervoltage release -UVD



Time delay device for undervoltage release - UVD

Size	Type	U.S. Ordering Code
XT1...XT4	UVD 24...30V AC/DC	KT3UVD8
XT1...XT4	UVD 48...60V AC/DC	KT3UVD7
XT1...XT4	UVD 110...125V AC/DC	KT3UVD4
XT1...XT4	UVD 220...250V AC/DC	KT3UVD2
XT5-XT6	UVD 24...30V AC/DC	KXTFUVD24
XT5-XT6	UVD 48...60V AC/DC	KXTFUVD48
XT5-XT6	UVD 110...125V AC/DC	KXTFUVD120
XT5-XT6	UVD 220...250V AC/DC	KXTFUVD240
XT7 -XT7 M	UVD 24/30V	KE6TL9
XT7 -XT7 M	UVD 48V	KE6TL8
XT7 -XT7 M	UVD 60V	KE6TL7
XT7 -XT7 M	UVD 110/127V	KE6TL5
XT7 -XT7 M	UVD 220/250V	KE6TL3

Ordering codes for accessories

Remote control

Connectors for shunt opening and undervoltage release for withdrawable version



Fixed/Moving part connector for withdrawable

Connectors for shunt opening and undervoltage release for withdrawable version

Size	Type	U.S. Ordering Code
Connector of 4th pole for withdrawable version		
XT2-XT4	Connector 4th pole SOR	KXTCE3PINCONSOR
XT2-XT4	Connector 4th pole UVR	KXTCE3PINCONUVR
Connector of 3rd pole for withdrawable version		
XT5	Connector 3rd pole YO	KXT5CONYOL
XT5	Connector 3rd pole YU	KXT5CONYUL



Remote reset - YR

Remote reset - YR

Remote reset - YR

Size	Type	U.S. Ordering Code
XT7 M	YR 24V DC	ZE1YRA
XT7 M ¹	YR 110V AC/DC	ZE1YRB
XT7 M ¹	YR 220V AC/DC	ZE1YRC

¹ When YR is used in DC, the activation of YR must be carried out with a maximum impulse time of 50ms. The YR cannot be powered permanently.

Motor operator



Motor operator - MOD

Direct action motor operator - MOD

Size	Type	U.S. Ordering Code
XT1-XT3	MOD 24V DC	KXTBMOD24
XT1-XT3	MOD 48...60V DC	KXTBMOD48-60
XT1-XT3	MOD 110...125V AC/DC	KXTBMOD110-125
XT1-XT3	MOD 220...250V AC/DC	KXTBMOD220-250
XT1-XT3	MOD 380...440V AC	KXTBMOD280-240
XT1-XT3	MOD 480...525V AC	KXTBMOD480-525

Ordering codes for accessories

Remote control



Motor operator - MOE

Stored energy motor operator - MOE

Size	Type	U.S. Ordering Code
XT2-XT4	XT2-XT4 MOE 24V DC	KXTCMOE24
XT2-XT4	XT2-XT4 MOE 48...60V DC	KXTCMOE48-60
XT2-XT4	XT2-XT4 MOE 110...125V AC/DC	KXTCMOE110-125
XT2-XT4	XT2-XT4 MOE 220...250V AC/DC	KXTCMOE220-250
XT2-XT4	XT2-XT4 MOE 380...440V AC	KXTCMOE380-440
XT2-XT4	XT2-XT4 MOE 480...525V AC	KXTCMOE480-525
XT5	XT5 MOE 24V DC Auto-Reset	KXT5MOE24
XT5	XT5 MOE 48...60V DC Auto-Reset	KXT5MOE48-60
XT5	XT5 MOE 110...125V AC/DC Auto-Reset	KXT5MOE110-125
XT5	XT5 MOE 220...250V AC/DC Auto-Reset	KXT5MOE220-250
XT5	XT5 MOE 380V AC Auto-Reset	KXT5MOE380
XT6	XT6 MOE 24V DC	KXT6MOE24
XT6	XT6 MOE 48...60V DC	KXT6MOE48-60
XT6	XT6 MOE 110...125V AC/DC	KXT6MOE110-125
XT6	XT6 MOE 220...250V AC/DC	KXT6MOE220-250
XT6	XT6 MOE 380V AC	KXT6MOE380



Motor operator - MOE

Electronic stored energy motor operator - MOE-E

Size	Type	U.S. Ordering Code
XT2-XT4	XT2-XT4 MOE-E 24V DC	KXTCMOEE24
XT2-XT4	XT2-XT4 MOE-E 48...60V DC	KXTCMOEE48-60
XT2-XT4	XT2-XT4 MOE-E 110...125V AC/DC	KXTCMOEE110-125
XT2-XT4	XT2-XT4 MOE-E 220...250V AC/DC	KXTCMOEE220-250
XT2-XT4	XT2-XT4 MOE-E 380...440V AC	KXTCMOEE380-440
XT2-XT4	XT2-XT4 MOE-E 480...525V AC	KXTCMOEE480-525
XT5	XT5 MOE-E 24V DC	KXT5MOEE24
XT5	XT5 MOE-E 48...60V DC	KXT5MOEE48-60
XT5	XT5 MOE-E 110...125V AC/DC	KXT5MOEE110-125
XT5	XT5 MOE-E 220...250V AC/DC	KXT5MOEE220-250
XT5	XT5 MOE-E 380V AC	KXT5MOEE380



Spring charging motor - M

Spring charging motor - M

Size	Type	U.S. Ordering Code
XT7 M	M 24-30 V AC/DC	KXTMSCM24-30
XT7 M	M 48-60 V AC/DC	KXTMSCM48-60
XT7 M	M 100-130 V AC/DC	KXTMSCM100-130
XT7 M ¹	M 220-250 V AC/DC	KXTMSCM220-250
XT7 M ¹	M 380-415 V AC/DC	KXTMSCM380-415

¹ when YR is used in DC, the activation of YR must be done with a maximum impulse time of 50ms. The YR cannot be powered permanently.

Ordering codes for accessories

Safety and protection



Terminal cover

Terminals covers and phase separators

Insulating terminal covers

Size	Type	3 poles	4 poles
		U.S. Ordering Code	U.S. Ordering Code
XT1	LTC Low terminal covers	KXT1LTC-3	KXT1LTC-4
XT1	HTC High terminal covers	KXT1HTC-3	KXT1HTC-4
XT2	LTC Low terminal covers	KXT2LTC-3	KXT2LTC-4
XT2	HTC High terminal covers	KXT2HTC-3	KXT2HTC-4
XT3	LTC Low terminal covers	KXT3LTC-3	KXT3LTC-4
XT3	HTC High terminal covers	KXT3HTC-3	KXT3HTC-4
XT3	HTC High terminal covers for RC223 Type B	-	-
XT4	LTC Low terminal covers	KXT4LTC-3	KXT4LTC-4
XT4	HTC High terminal covers	KXT4HTC-3	KXT4HTC-4
XT5	LTC Low terminal covers	KXT5LTC-3	KXT5LTC-4
XT5	HTC High terminal covers	KXT5HTC-3	KXT5HTC-4
XT5	HTC_BS High terminal covers with back shield for EF	KXT5HTCBS-3	KXT5HTCBS-4
XT5	HTC_ES High terminal covers for ES	KXT5HTCES-3	KXT5HTCES-4
XT5	HTC_ES_BS High terminal covers for ES with back shield	KXT5HTCESBS-3	KXT5HTCESBS-4
XT5	HTC - XT5 FP RC 4p	-	KXT5HTCRC-4
XT6	LTC Low terminal covers	KXT6LTC-3	KXT6LTC-4
XT6	HTC High terminal covers	KXT6HTC-3	KXT6HTC-4
XT7-XT7 M	LTC Low terminal covers	KXT7LTC-3	KXT7LTC-4
XT7-XT7 M	LTC Low terminal covers for W	KXT7LTCW-3	KXT7LTCW-4
XT7-XT7 M	HTC High terminal covers	KXT7HTC2PCS-3	KXT7HTC2PCS-4

Insulating terminal covers must be considered as 2pcs each

Terminals back shield

Size	Type	3 poles	4 poles
		U.S. Ordering Code	U.S. Ordering Code
XT5	Back shield XT5 fixed EF	KXT5INSLPLTEF-3	KXT5INSLPLTEF-4
XT5	Back shield XT5 fixed FCCuAl	KXT5INSLPLTFC-3	KXT5INSLPLTFC-4
XT5	Back shield XT5 fixed ES	KXT5INSLPLTES-3	KXT5INSLPLTES-4

Note: Back shield XT5 fixed EF is compatible with F terminals and FCCuAl internal lugs, when back panel insulation is required.

Ordering codes for accessories

Safety and protection



Sealable screw



Phase separators

Sealable screws for terminal covers

Size	Type	U.S. Ordering Code
XT1...XT6	Kit with two sealable screws	KXTAESSEAL

Phase separators for circuit-breaker

Size	Type	4 pcs	6 pcs
		U.S. Ordering Code	U.S. Ordering Code
XT1-XT3	PB height 0.98in/25mm	KXTBPB25-3	KXTBPB25-4
XT1-XT3	PB height 3.94in/100mm	KXTBPB100-3	KXTBPB100-4
XT1-XT3	PB height 7.87in/200mm	KXTBPB200-3	KXTBPB200-4
XT2-XT4	PB height 0.98in/25mm	KXTCPB25-3	KXTCPB25-4
XT2-XT4	PB height 3.94in/100mm	KXTCPB100-3	KXTCPB100-4
XT2-XT4	PB height 7.87in/200mm	KXTCPB200-3	KXTCPB200-4
XT5	PB Height 25mm	KXT5PB25UL-3	KXT5PB25UL-4
XT5	PB Height 100mm	KXT5PB100UL-3	KXT5PB100UL-4
XT5	PB Height 200mm	KXT5PB200UL-3	KXT5PB200UL-4
XT6	PB Height 100mm	KXT6PB100UL-3	KXT6PB100UL-4
XT6	PB Height 200mm	KXT6PB200UL-3	KXT6PB200UL-4
XT7-XT7 M	PB Height 100mm	ZE1PBF100	ZE1PBF100-4
XT7-XT7 M	PB Height 200mm	ZE1PBF200	ZE1PBF200-4

Phase separators for fixed parts

Size	Type	4 pcs	6 pcs
		U.S. Ordering Code	U.S. Ordering Code
XT1	PS - Rear phase separators for FP	KXTAEPB90-3	KXTAEPB90-4
XT2	PS - Rear phase separators for FP	KXTAEPB90-3	KXTAEPB90-4
XT3	PS - Rear phase separators for FP	KXTAEPB90-3	KXTAEPB90-4
XT4	PS - Rear phase separators for FP	KXTAEPB90-3	KXTAEPB90-4
XT5 ¹	PS - Rear phase separators for FP	KXT5PBFP-3	KXT5PBFP-4
Size	Type	2 pcs	3 pcs
XT7-XT7 M	PS - Phase separators for FP W	ZE1PBW	ZE1PBW-4

¹ Not compatible with the 600A Fixed Part

Ordering codes for accessories

Safety and protection

IP Protection

IP Protection for rotary handles



IP54 protection for RHE

Size	Type	U.S. Ordering Code
XT1...XT4	IP54 protection for RHE	KXTAERHEIP54
XT5	IP54 protection for RHD	KXT5IP54RH
XT6	IP54 protection for RHD	KXT6IP54RH
XT7	IP54 protection for RHD	KXT7IP54RH

IP Protection for motor operators



IP54 protection for XT7 M

Size	Type	U.S. Ordering Code
XT5	IP54 Flange different keys for MOE	KXT5IP54FLMOE-D
XT5	IP54 Flange same keys for MOE	KXT5IP54FLMOE-S
XT6	IP54 Flange different keys for MOE	KXT6IP54FLMOE-D
XT6	IP54 Flange same keys for MOE	KXT6IP54FLMOE-S
XT7 M	IP54 Flange with different keys	ZE1FLG54DK
XT7 M	IP54 Flange with the same keys	ZE1FLG54SK

MOC

Mechanical operation counter - MOC



Mechanical operation counter - MOC

Size	Type	U.S. Ordering Code
XT7 M	Mechanical operation counter	KXT7 MOC

Ordering codes for accessories

Safety and protection

Keylocks and padlocks

Keylock/padlock for fixed part of withdrawable



Keylock/padlock for fixed part



Key lock in racked-in/
test/racked-out position
- KLP



Padlock in racked-in/
test/racked-out position
- PLP

Size	Type	U.S. Ordering Code
XT2-XT4	KL-D Keylock FP, Giussani different keys	KXTCEKLDFFPW
XT2-XT4	KL-S Keylock FP, Giussani same keys N.20005	KXTCEKLSFPW
XT2-XT4	KL-D Keylock FP, Ronis 1228 different keys	KXTCEKLDRONFPW
XT2-XT4	KL-S Keylock FP, Ronis 1228 same keys Type A keys	KXTCEKLSRONFPW
XT5-XT6	KL-D Keylock FP, Giussani different keys	KXTFKLDFFPWGDIF
XT5-XT6	KL-S Keylock FP, Giussani same keys N.20005	KXTFKLSFPWGW20005
XT5-XT6	KL-D Keylock FP, Ronis 1228 different keys	KXTFKLDFFPWDRDIF
XT5-XT6	KL-S Keylock FP, Ronis 1228 same keys Type A keys	KXTFKLSFPWRA
XT5-XT6	KL_A Ronis Arrangement 1104B FP	KXTFKLAFPWR1104
XT5-XT6	KL_A STI Arrangement FP	KXTFKLAFPWSTI
XT7-XT7 M	KLP-A Bl. Racked in/out RonProf Kirk XT7-XT7 M 1st key	ZE1KLPR
XT7-XT7 M	KLP-A Bl. Racked in/out RonProf Kirk XT7-XT7 M 2nd key	ZE1KLPR-2
XT7-XT7 M	KLP-D Bl. Racked in/out XT7-XT7 M 1st key	ZE1KLPD
XT7-XT7 M	KLP-D Bl. Racked in/out XT7-XT7 M 2nd key	ZE1KLPD-2
XT7-XT7 M	KLP-S Bl. Racked in/out N.20005 XT7-XT7 M 1st key	ZE1KLPS5
XT7-XT7 M	KLP-S Bl. Racked in/out N.20005 XT7-XT7 M 2nd key	ZE1KLPS5-2
XT7-XT7 M	KLP-S Bl. Racked in/out N.20006 XT7-XT7 M 1st key	ZE1KLPS6
XT7-XT7 M	KLP-S Bl. Racked in/out N.20006 XT7-XT7 M 2nd key	ZE1KLPS6-2
XT7-XT7 M	KLP-S Bl. Racked in/out N.20007 XT7-XT7 M 1st key	ZE1KLPS7
XT7-XT7 M	KLP-S Bl. Racked in/out N.20007 XT7-XT7 M 2nd key	ZE1KLPS7-2
XT7-XT7 M	KLP-S Bl. Racked in/out N.20008 XT7-XT7 M 1st key	ZE1KLPS8
XT7-XT7 M	KLP-S Bl. Racked in/out N.20008 XT7-XT7 M 2nd key	ZE1KLPS8-2
XT7-XT7 M	KLP-S Bl. Racked in/out N.20009 XT7-XT7 M 1st key	ZE1KLPS9
XT7-XT7 M	KLP-S Bl. Racked in/out N.20009 XT7-XT7 M 2nd key	ZE1KLPS9-2
XT7-XT7 M	Suppl. locks in racked-out XT7-XT7 M	ZE1SUP
XT7-XT7 M	PLP Bl. padlocks Racked in/out D=4/6/8mm	ZE1PLP

Ordering codes for accessories

Safety and protection



Fixed padlock in the open position - PLL



Padlock in the open position - PLC



Removable padlock in the open position



Key lock on the circuit-breaker

Circuit-breaker padlock

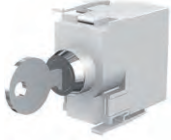
Size	Type	U.S. Ordering Code
XT1-XT3	PLL Removable lock with padlocks in open position	KXTBPLLREM
XT1-XT3	PLL Fixed lock with padlocks in open position	KXTBPLLOP
XT1-XT3	PLL Fixed lock with padlocks in open/closed position	KXTBPLLOPCL
XT2-XT4	PLL Fixed lock with padlocks in open position	KXTCPLLOP
XT2-XT4	PLL Fixed lock with padlocks in open/closed position	KXTCPLLOPCL
XT5	PLL Removable lock with padlocks in open position	KXT5PLLREM
XT5	PLL Fixed lock with padlocks in open position	KXT5PLLOP
XT5	PLL Fixed lock with padlocks in open/closed position	KXT5PLLOPCL
XT6	PLL Removable lock with padlocks in open position	KXT6PLLREM
XT6	PLL Fixed lock with padlocks in open position	KXT6PLLOP
XT6	PLL Fixed lock with padlocks in open/closed position	KXT6PLLOPCL
XT7	PLL Fixed lock with padlocks in open position	KXT7PLLOP
XT7 M	PLC Padlocks in open position D=4mm	ZE1PLC4
XT7 M	PLC Padlocks in open position D=7mm	ZE1PLC7
XT7 M	PLC Padlocks in open position D=8mm	ZE1PLC8

Keylock for circuit-breaker - KLC

Size	Type	U.S. Ordering Code
XT1	KLC Ronis key lock open, different keys, removable in open position	KXT1KLCCBDIF
XT1	KLC Ronis key lock open, same Type A keys, removable in open position	KXT1KLCCBA
XT1	KLC Ronis key lock open, same Type B keys, removable in open position	KXT1KLCCBB
XT1	KLC Ronis key lock open, same Type C keys, removable in open position	KXT1KLCCBC
XT1	KLC Ronis key lock open, same Type D keys, removable in open position	KXT1KLCCBD
XT1	KLC Ronis key lock open, same keys, removable in both position	KXT1KLCCBOPCL
XT3	KLC Ronis key lock open, different keys, removable in open position	KXT3KLCCBDIF
XT3	KLC Ronis key lock open, same Type A keys, removable in open position	KXT3KLCCBA
XT3	KLC Ronis key lock open, same Type B keys, removable in open position	KXT3KLCCBB
XT3	KLC Ronis key lock open, same Type C keys, removable in open position	KXT3KLCCBC
XT3	KLC Ronis key lock open, same Type D keys, removable in open position	KXT3KLCCBD
XT3	KLC Ronis key lock open, same keys, removable in both position	KXT3KLCCBOPCL
XT2-XT4	KLC Ronis key lock open, different keys, removable in open position	KXTCKLCCBDIF
XT2-XT4	KLC Ronis key lock open, same Type A keys, removable in open position	KXTCKLCCBA
XT2-XT4	KLC Ronis key lock open, same Type B keys, removable in open position	KXTCKLCCBB
XT2-XT4	KLC Ronis key lock open, same Type C keys, removable in open position	KXTCKLCCBC
XT2-XT4	KLC Ronis key lock open, same Type D keys, removable in open position	KXTCKLCCBD
XT2-XT4	KLC Ronis key lock open, same keys, removable in both position	KXTCKLCCBOPCL

Ordering codes for accessories

Safety and protection



Keylock on the circuit-breaker



Key lock in open position - KLC

Keylock for circuit-breaker - KLC

Size	Type	U.S. Ordering Code
XT5-XT6	KLC Ronis key lock open, different keys, removable in open position	KXTFKLCCBDIF
XT5-XT6	KLC Ronis key lock open, same Type A keys, removable in open position	KXTFKLCCBA
XT5-XT6	KLC Ronis key lock open, same Type B keys, removable in open position	KXTFKLCCBB
XT5-XT6	KLC Ronis key lock open, same Type C keys, removable in open position	KXTFKLCCBC
XT5-XT6	KLC Ronis key lock open, same Type D keys, removable in open position	KXTFKLCCBD
XT5-XT6	KLC Ronis key lock open, same keys, removable in both position	KXTFKLCCBOPCL
XT5-XT6	KLC-A Kirk key lock	KXTFKLCAKIRK
XT5-XT6	KLC-A Ronis 1104 key lock	KXTFKLCAR1104
XT5-XT6	KLC-A STI key lock	KXTFKLCASTI
XT7	KLC Ronis key lock open, different keys, removable in open position	KXT7KLCCBDIF
XT7	KLC Ronis key lock open, same Type A keys, removable in open position	KXT7KLCCBA
XT7	KLC Ronis key lock open, same Type B keys, removable in open position	KXT7KLCCBB
XT7	KLC Ronis key lock open, same Type C keys, removable in open position	KXT7KLCCBC
XT7	KLC Ronis key lock open, same Type D keys, removable in open position	KXT7KLCCBD
XT7	KLC Ronis key lock open, same keys, removable in both position	KXT7KLCCBOPCL
XT7	KLC-A Kirk key lock	KXT7KLCAKIRK
XT7	KLC-A Ronis 1104 key lock	KXT7KLCAR1104
XT7	KLC-A STI key lock	KXT7KLCASTI
XT7	KLC-A Castell key lock	KXT7KLCACSTL
XT7 M	KLC-D Key lock open	KXTMKLCDOPEN
XT7 M	KLC-S Key lock open N.20005	KXTMKLCS5
XT7 M	KLC-S Key lock open N.20006	KXTMKLCS6
XT7 M	KLC-S Key lock open N.20007	KXTMKLCS7
XT7 M	KLC-S Key lock open N.20008	KXTMKLCS8
XT7 M	KLC-S Key lock open N.20009	KXTMKLCS9
XT7 M	KLC-A Castell key lock open ¹	KXTMKLACSTL
XT7 M	KLC-A Kirk key lock open	KXTMKLCAKIRK
XT7 M	KLC-A Ronis 1104 - STI key lock open	KXTMKLCAR1104STI

¹ Arrangement factory mounted only

Ordering codes for accessories

Safety and protection



Key lock on the handle

Keylock for the RH / FLD

Size	Type	U.S. Ordering Code
XT1...XT4	RHL Ronis key lock open, different keys – RHx/FLD	KXTARHLDIF
XT1...XT4	RHL Ronis key lock open, same Type A keys – RHx/FLD	KXTARHLA
XT1...XT4	RHL Ronis key lock open, same Type B keys - RHx/FLD	KXTARHLB
XT1...XT4	RHL Ronis key lock open, same Type C keys - RHx/FLD	KXTARHLC
XT1...XT4	RHL Ronis key lock open, same Type D keys - RHx/FLD	KXTARHLD
XT1...XT4	RHL Ronis key lock open/closed, different keys - RHD	KXTARHLOPCL
XT1...XT4	RHL Ronis key lock open/closed, different keys - FLD	KXTCRHFLD
XT5	RHL Ronis key lock open, different keys – RHx/FLD	KXTFRHLDIF
XT5	RHL Ronis key lock open, same Type A keys – RHx/FLD	KXTFRHLA
XT5	RHL Ronis key lock open, same Type B keys - RHx/FLD	KXTFRHLB
XT5	RHL Ronis key lock open, same Type C keys - RHx/FLD	KXTFRHLC
XT5	RHL Ronis key lock open, same Type D keys - RHx/FLD	KXTRHLD
XT5	RHL Ronis key lock open/closed, different keys – RHD/FLD	KXTFRHLOPCL
XT6	RHL Ronis key lock open, different keys – FLD	KXT7RHLDIF
XT6	RHL Ronis key lock open, same Type A keys – FLD	KXT7RHLA
XT6	RHL Ronis key lock open, same Type B keys - FLD	KXT7RHLB
XT6	RHL Ronis key lock open, same Type C keys - FLD	KXT7RHLC
XT6	RHL Ronis key lock open, same Type D keys - FLD	KXT7RHLD
XT6 - XT7	RHL Ronis key lock open, different keys – RHx	KXT7RHLDIF
XT6 - XT7	RHL Ronis key lock open, same Type A keys – RHx	KXT7RHLA
XT6 - XT7	RHL Ronis key lock open, same Type B keys - RHx	KXT7RHLB
XT6 - XT7	RHL Ronis key lock open, same Type C keys - RHx	KXT7RHLC
XT6 - XT7	RHL Ronis key lock open, same Type D keys - RHx	KXT7RHLD

Keylock on the panel door with RHE

Size	Type	U.S. Ordering Code
XT5...XT7	RHL Ronis key lock open/closed, different keys on the panel door	KXTKLPNDR

Ordering codes for accessories

Safety and protection



Key lock on the motor

Keylock on the motor

Size	Type	U.S. Ordering Code
XT1-XT3	MOL-D Ronis key lock open, different keys	KXTBEMOLDIF
XT1-XT3	MOL-S Ronis key lock open, same Type A keys	KXTBEMOLA
XT1-XT3	MOL-S Ronis key lock open, same Type B keys	KXTBEMOLB
XT1-XT3	MOL-S Ronis key lock open, same Type C keys	KXTBEMOLC
XT1-XT3	MOL-S Ronis key lock open, same Type D keys	KXTBEMOLD
XT2-XT4	MOL-D Ronis key lock open, different keys	KXTCEMOLDIF
XT2-XT4	MOL-S Ronis key lock open, same Type A keys	KXTCEMOLA
XT2-XT4	MOL-S Ronis key lock open, same Type B keys	KXTCEMOLB
XT2-XT4	MOL-S Ronis key lock open, same Type C keys	KXTCEMOLC
XT2-XT4	MOL-S Ronis key lock open, same Type D keys	KXTCEMOLD
XT2-XT4	MOL-M Key lock against manual operation	KXTCEMOLMO
XT5-XT6	MOL-D Ronis key lock open, different keys	KXTFMOLDIF
XT5-XT6	MOL-S Ronis key lock open, same Type A keys	KXTFMOLA
XT5-XT6	MOL-S Ronis key lock open, same Type B keys	KXTFMOLB
XT5-XT6	MOL-S Ronis key lock open, same Type C keys	KXTFMOLC
XT5-XT6	MOL-S Ronis key lock open, same Type D keys	KXTFMOLD
XT5-XT6	MOL-M Key lock against manual operation	KXTFMOLMOP

Sealable lock on thermal setting

Size	Type	U.S. Ordering Code
XT1-XT3	Lock on thermal setting for TMD trip unit	KXTAEAAASEALREL



Protection device for opening and closing pushbuttons - PBC

Protection device for opening and closing pushbuttons - PBC

Size	Type	U.S. Ordering Code
XT7 M	PBC Prot. Pushbuttons AP/CH	ZE1PBC
XT7 M	PBC Prot. Pushbuttons AP/CH D=4mm	ZE1PBC8
XT7 M	PBC Prot. Pushbuttons AP/CH D=7mm	ZE1PBC7
XT7 M	PBC Prot. Pushbuttons AP/CH D=8mm	ZE1PBC4



Lock to prevent door opening when the circuit-breaker is in the closed position - DLC

Lock to prevent door opening when the circuit-breaker is in the closed position - DLC

Size	Type	U.S. Ordering Code
XT7-XT7 M	DLC interlock direct door for fixed to wall	ZE1DLCDDFW
XT7-XT7 M	DLC interlock direct door for fixed part withdrawable	ZE1DLCDDFP
XT7-XT7 M	DLC interlock cable door for fixed part withdrawable	ZE1DLCDDFP

Ordering codes for accessories

Safety and protection

Flanges

Flanges for circuit-breakers and frontal accessories



Flange for circuit-breaker



Flange for circuit-breaker for the withdrawable version



Flange for circuit-breaker

Size	Type	3 poles	4 poles
		U.S. Ordering Code	U.S. Ordering Code
XT1	Small flange for circuit-breaker	KXTAEFLASMFP	KXTAEFLASMFP
XT1	Large flange for circuit-breaker	KXT1EFLAFP-3	KXT1EFLAFP-4
XT1	Flange MOD	KXTBEFLAMOD	KXTBEFLAMOD
XT1	Flange for direct handle RHD	KXTAEFLARHDFP	KXTAEFLARHDFP
XT1	Flange for residual current RC Sel / Inst	KXT1EFLARCFP-3	KXT1EFLARCFP-4
XT2	Small flange for circuit-breaker	KXTAEFLASMFP	KXTAEFLASMFP
XT2	Large flange for circuit-breaker	KXT2EFLAFP-3	KXT2EFLAFP-4
XT2	Flange for MOE/MOE-E/FLD	KXTCEFLAMOEFP	KXTCEFLAMOEFP
XT2	Flange for MOE/MOE-E/FLD W	KXTCEFLAMOEW	KXTCEFLAMOEW
XT2	Flange for direct handle RHD	KXTAEFLARHDFP	KXTAEFLARHDFP
XT2	Flange for direct handle RHD W	KXTCEFLARHDW	KXTCEFLARHDW
XT2	Flange for residual current RC Sel	-	KXT2EFLARCFP-4
XT2	Flange for residual current RC Sel W	-	KXT2EFLARCW-4
XT3	Small flange for circuit-breaker	KXTAEFLASMFP	KXTAEFLASMFP
XT3	Large flange for circuit-breaker	KXT3EFLAFP-3	KXT3EFLAFP-4
XT3	Flange for MOD	KXTBEFLAMOD	KXTBEFLAMOD
XT3	Flange for direct handle RHD	KXTAEFLARHDFP	KXTAEFLARHDFP
XT3	Flange for residual current RC Sel/RC Inst	KXT3EFLARCFP-3	KXT3EFLARCFP-4
XT4	Small flange for circuit-breaker	KXTAEFLASMFP	KXTAEFLASMFP
XT4	Large flange for circuit-breaker	KXT4EFLAFP-3	KXT4EFLAFP-4
XT4	Flange for MOE/MOE-E/FLD	KXTCEFLAMOEFP	KXTCEFLAMOEFP
XT4	Flange for MOE/MOE-E/FLD W	KXTCEFLAMOEW	KXTCEFLAMOEW
XT4	Flange for direct handle RHD	KXTAEFLARHDFP	KXTAEFLARHDFP
XT4	Flange for direct handle RHD W	KXTCEFLARHDW	KXTCEFLARHDW
XT4	Flange for residual current RC Sel	-	KXT4EFLARCFP-4
XT4	Flange for residual current RC Sel W	-	KXT4EFLARCW-4
XT5	Flange for circuit-breaker	KXT5FLASMFP	KXT5FLASMFP
XT5	Flange for MOE/MOE-E/FLD/RHD	KXT5FLALGFP	KXT5FLALGFP
XT5	Flange for MOE/MOE-E/FLD/RHD W	KXT5FLALGW	KXT5FLALGW
XT5	Flange for residual current RC Sel	-	KXT5FLARCFP-4
XT5	Flange for residual current RC Sel W	-	KXT5FLARCW-4
XT6	Flange for circuit-breaker	KXT6FLASMFP	KXT6FLASMFP
XT6	Flange for MOE/FLD/RHD	KXT6FLALGFP	KXT6FLALGFP
XT6	Flange for MOE/FLD/RHD W	KXT6FLALGW	KXT6FLALGW
XT7	Flange for RHD	KXT7FLAFP	KXT7FLAFP
XT7-XT7 M	IP30 Flange XT7-XT7 M	ZE1FLG30F	ZE1FLG30F
XT7-XT7 M	IP30 Flange XT7-XT7 M W	ZE1FLG30D	ZE1FLG30D

Ordering codes for accessories

Interlocks and switching devices

Automatic transfer devices

Rear mechanical interlock



Rear mechanical interlock
- MIR-H



Plate for rear mechanical
interlock

Size	Type	U.S. Ordering Code
XT1-XT2-XT3-XT4 chassis		
XT1...XT4	MIR-H	KXTAMIRHR
XT1...XT4	MIR-V	KXTAMIRVR
XT1	Plate XT1 F	KXT1MIRPLF
XT1	Plate XT1 P	KXT1MIRPLP
XT2	Plate XT2 F	KXT2MIRPLF
XT2	Plate XT2 P/W	KXT2MIRPLPW
XT3	Plate XT3 F	KXT3MIRPLF
XT3	Plate XT3 P	KXT3MIRPLP
XT4	Plate XT4 F	KXT4MIRPLF
XT4	Plate XT4 P/W	KXT4MIRPLPW
XT4	Plate for XT4 F with XT5 MIR	KXT4MIRFXT5
XT4	Plate for XT4 W/P with XT5 MIR	KXT4MIRPWXT5
XT5 chassis		
XT5	MIR-H	KXT5MIRH
XT5	MIR-V	KXT5MIRV
XT5	Plate XT5 F	KXT5MIRF
XT5	Plate XT5 P/W 400A	KXT5MIR400PW
XT5	Plate XT5 P/W 630A	KXT5MIR600PW
XT5	Plate XT5 F for XT6 interlock	KXT5MIRFXT6
XT5	Plate XT5 W/P 400 for XT6 interlock	KXT5MIR400XT6
XT5	Plate XT5 W/P 630 for XT6 interlock	KXT5MIR600XT6
XT6 chassis		
XT6	MIR-H	KXT6MIRH
XT6	MIR-V	KXT6MIRV
XT6	Plate XT6 F	KXT6MIRF
XT6	Plate XT6 W	KXT6MIRPW

Note: If the CB interlocked has a stored energy motor operator (MOE/MOE-E) a MOL-M key lock is mandatory

Ordering codes for accessories
Interlocks and switching devices

Cable interlock

Size	Type	U.S. Ordering Code
XT7-XT7 M	Type A horizontal	ZEACBLAHR
XT7-XT7 M	Type A vertical	ZEACBLAVR
XT7-XT7 M	Support for mechanical interlock FP Type A	ZE1SPCRDA
XT7-XT7 M	Support for mechanical interlock for fixed CB Type A - floor mounted	ZE1SPA
XT7-XT7 M	Support for mechanical interlock for fixed CB Type A - wall mounted	ZE1SPAFM
XT7-XT7 M	Type B, C, D horizontal	ZEACBLBHR
XT7-XT7 M	Type B, C, D vertical	ZEA6CBLBVR
XT7-XT7 M	Support for mechanical interlock FP Type C	KXT7INTCSUPF
XT7-XT7 M	Support for mechanical interlock for fixed CB Type C - floor mounted	KXT7INTCSUPFLR
XT7-XT7 M	Support for mechanical interlock for fixed CB Type C - wall mounted	KXT7INTCSUPWAL
XT7-XT7 M	Support for mechanical interlock FP Type B-D	KXT7INTBDF
XT7-XT7 M	Support for mechanical interlock for fixed CB Type B-D - floor mounted	KXT7INTBDFLR
XT7-XT7 M	Support for mechanical interlock for fixed CB Type B-D - wall mounted	KXT7INTBDWAL

Ordering codes for accessories

Residual current devices

Residual current devices

Residual current devices



RC Inst / RC Sel



RC Sel

Size	Type	3 poles	4 poles
		U.S. Ordering Code	U.S. Ordering Code
XT1	RC Sel Low 200mm	-	KXT1ERCSEL200-4
XT1	XT1 RC Inst	KXT1ERCINST-3	KXT1ERCINST-4
XT1	XT1 RC Sel	KXT1ERCSEL-3	KXT1ERCSEL-4
XT2	XT2 RC Sel	-	KXT2ERCSEL-4
XT3	XT3 RC Inst	KXT3ERCINST-3	KXT3ERCINST-4
XT3	XT3 RC Sel	KXT3ERCSEL-3	KXT3ERCSEL-4
XT3	XT3 RC B-Type	-	KXT3ERCB-4
XT4	XT4 RC Sel	-	KXT4ERCSEL-4
XT5	XT5 RC Sel	-	KXT5RCSEL-4

Panel type residual current delay



Panel type residual current delay - RCQ020/A

Size	Type	U.S. Ordering Code
XT1...XT7M	RCQ020/A 115-230V AC	KXTAERCQ230
XT1...XT7M	RCQ020/A 415V AC	KXTAERCQ415
XT1...XT7M	Toroid closed Ø 60mm	KXTTETOR60
XT1...XT7M	Toroid closed Ø 110mm	KXTTETOR110
XT1...XT7M	Toroid closed Ø 185mm	KXTTETOR185

Note: Opening coil and undervoltage coil to be ordered separately



Toroid

Ordering codes for accessories

Accessories for Ekip Dip trip units

Other modules

Connection kits

Size	Type	Fixed/Plug-in	Withdrawable
		U.S. Ordering Code	U.S. Ordering Code
XT2-XT4	Kit of 24V DC auxiliary voltage for electronic trip units	KXTCECAUXFP	KXTCECAUXW
XT2-XT4	Kit for external neutral connection	KXTCECNEFP	KXTCECNEW
XT4	Kit for external neutral voltage connection for Ekip Dip Measuring	KXT4ECNEFP	KXT4ECNEW

Current Sensor



Current sensor

Connection kits

Size	Type	U.S. Ordering Code
XT2	CT External neutral 10A Ekip Dip	KXT2ECT10
XT2	CT External neutral 25A Ekip Dip	KXT2ECT25
XT2	CT External neutral 60A Ekip Dip	KXT2CT60
XT2	CT External neutral 100A Ekip Dip	KXT2ECT100
XT2	CT External neutral 125A Ekip Dip	KXT2CT125
XT4	CT External neutral 40A Ekip Dip	KXT4ECT40
XT4	CT External neutral 60A Ekip Dip	KXT4CT60
XT4	CT External neutral 100A Ekip Dip	KXT4ECT100
XT4	CT External neutral 150A Ekip Dip	KXT4CT150
XT4	CT External neutral 225A Ekip Dip	KXT4CT225
XT4	CT External neutral 250A Ekip Dip	KXT4ECT250
XT5	CT External neutral 250A Ekip Dip	KXT5CTUDIPA250
XT5	CT External neutral 300A Ekip Dip	KXT5CTUDIPA300
XT5	CT External neutral 400A Ekip Dip	KXT5CTUDIPA400
XT5	CT External neutral 600A Ekip Dip	KXT5CTUDIPA600
XT6	CT External neutral 600A Ekip Dip	KXT6CTUDIPA600
XT6	CT External neutral 800A Ekip Dip	KXT6CTUDIPA800
XT6	CT External neutral 1000A Ekip Dip	KXT6CTUDIPA1000
XT7-XT7 M	CS External neutral up to 1200A	ZE1NCT

For XT2 and XT4 external neutral Dip version the connection cable must be ordered:
 1SDA066984R1 for fixed/plug-in
 1SDA066985R1 for withdrawable

Ordering codes for accessories

Accessories for Ekip Dip trip units



Rating plug

Rating plug

Size	Type	Loose supply
		U.S. Ordering Code
For trip units: Ekip Dip LS/I, Ekip Dip LIG, Ekip M Dip I, Ekip G Dip LS/I		
XT7-XT7 M	Rating plug In=600 A XT7-XT7 M	LXT7RP600ULB
XT7-XT7 M	Rating plug In=800 A XT7-XT7 M	KXT7RP800ULB
XT7-XT7 M	Rating plug In=1000 A XT7-XT7 M	KXT7RP1000ULB
XT7-XT7 M	Rating plug In=1200 A XT7-XT7 M	KXT7RP1200ULB
For trip units: Ekip Dip LSI, Ekip Dip LSIG		
XT7-XT7 M	Rating plug In=600 A XT7-XT7 M	LXT7RP600ULA
XT7-XT7 M	Rating plug In=800 A XT7-XT7 M	KXT7RP800ULA
XT7-XT7 M	Rating plug In=1000 A XT7-XT7 M	KXT7RP1000ULA
XT7-XT7 M	Rating plug In=1200 A XT7-XT7 M	KXT7RP1200ULA

Ordering codes for accessories

Accessories for Ekip Touch trip units



Ekip Cartridge

Ekip Cartridge

Size	Type	U.S. Ordering Code
XT2-XT4-XT5	Ekip Cartridge 2 slots XT2-XT4-XT5	KXTGCART2
XT2-XT4-XT5	Ekip Cartridge 4 slots XT2-XT4-XT5	KXTGCART4



Ekip Supply

Power Supply modules

Size	Type	U.S. Ordering Code
XT2-XT4-XT5-XT7-XT7 M	Ekip Supply 110-240V AC/DC	ZEAPWRS
XT2-XT4-XT5-XT7-XT7 M	Ekip Supply 24-48V DC	ZEAPWRSD

Connectivity Modules

Internal modules



Ekip COM

Size	Type	Fixed/Plug-in	Withdrawable
		U.S. Ordering Code	U.S. Ordering Code
XT2-XT4	Ekip Com Ethernet	KXTCCOMIENETIP	KXTCCOMIENETIP
XT2-XT4	Ekip Com Hub	KXTCCOMIHUB	KXTCCOMIHUB
XT2-XT4	Ekip Com IEC61850	KXTCCOMIIIEC61850	KXTCCOMIIIEC61850
XT2-XT4	Slim Ekip Com RS-485	KXTCCOMIMBRS	KXTCCOMIMBRS
XT2-XT4	Ekip Com Modbus TCP	KXTCCOMIMBTCP	KXTCCOMIMBTCP
XT2-XT4	Ekip Com Profinet	KXTCCOMIPFNET	KXTCCOMIPFNET
XT2-XT4	Ekip Link	KXTCCOMILINK	KXTCCOMILINK
XT2-XT4	Ekip Com STA Modbus TCP	KXTCCOMIMBTCP-STA	KXTCCOMWMBTCP-STA
XT2-XT4	Ekip Com STA Modbus RTU	KXTCCOMIMBRS-STA	KXTCCOMWMBRS-STA
XT5	Ekip Com Ethernet	KXT5COMIENETIP	KXT5COMIENETIP
XT5	Ekip Com Hub	KXT5COMIHUB	KXT5COMIHUB
XT5	Ekip Com IEC61850	KXT5COMIIIEC61850	KXT5COMIIIEC61850
XT5	Ekip Com Modbus RTU	KXT5COMIMBRS	KXT5COMIMBRS
XT5	Ekip Com Modbus TCP	KXT5COMIMBTCP	KXT5COMIMBTCP
XT5	Ekip Com Profinet	KXT5COMIPFNET	KXT5COMIPFNET
XT5	Ekip Link	KXT5COMILINK	KXT5COMILINK
XT5	Ekip Com STA Modbus TCP	KXT5COMIMBTCP-STA	KXT5COMWMBTCP-STA
XT5	Ekip Com STA Modbus RTU	KXT5COMIMBRS-STA	KXT5COMWMBRS-STA

Ordering codes for accessories

Accessories for Ekip Touch trip units



—
Ekip Link

Ekip Cartridge (XT2-XT4-XT5) and terminal box (XT7-XT7 M) modules

Size	Type	U.S. Ordering Code
XT2-XT4-XT5-XT7-XT7 M	Ekip Com Modbus RS-485 Tmax XT	KXTTCOMEMBR5
XT2-XT4-XT5-XT7-XT7 M	Ekip Com Modbus TCP Tmax XT	KXTTCOMEMBTCP
XT2-XT4-XT5-XT7-XT7 M	Ekip Com Profibus Tmax XT	KXTTCOMEMBR5
XT2-XT4-XT5-XT7-XT7 M	Ekip Com Profinet Tmax XT	KXTTCOMEMBTCP
XT2-XT4-XT5-XT7-XT7 M	Ekip Com Devicenet Tmax XT	KXTTCOMEDNET
XT2-XT4-XT5-XT7-XT7 M	Ekip Com Ethernet/IP Tmax XT	KXTTCOMEENETIP
XT2-XT4-XT5-XT7-XT7 M	Ekip Com IEC61850 Tmax XT	KXTTCOMEIEC61850
XT2-XT4-XT5-XT7-XT7 M	Ekip Link Tmax XT	KXTTCOMELINK
XT2-XT4-XT5-XT7-XT7 M	Ekip Com Hub Tmax XT	KXTTCOMEHUB
XT2-XT4-XT5-XT7-XT7 M	Ekip Com R Modbus RS-485 Tmax XT	ZEAMOD485R
XT2-XT4-XT5-XT7-XT7 M	Ekip Com R Modbus TCP	KXTTCOMEMBTCP-R
XT2-XT4-XT5-XT7-XT7 M	Ekip Com R Profibus	ZEAPROFIBUSR
XT2-XT4-XT5-XT7-XT7 M	Ekip Com R Profinet	KXTTCOMEPFNET-R
XT2-XT4-XT5-XT7-XT7 M	Ekip Com R DeviceNet™	ZEADEVICENETR
XT2-XT4-XT5-XT7-XT7 M	Ekip Com R EtherNet/IP™	KXTTCOMEENETIP-R
XT2-XT4-XT5-XT7-XT7 M	Ekip Com R IEC61850	KXTTCOMEIEC61850-R
XT7 - XT7 M ¹	Ekip Com Actuator	ZEACACT

¹ For XT7 toggle version Ekip Com Actuator can be used for opening only.

Ordering codes for accessories

Accessories for Ekip Touch trip units

Signaling Modules



Ekip 2K Signalling

Internal modules

Size	Type	U.S. Ordering Code	U.S. Ordering Code
XT5	EKIP Signalling 1K-1 XT5 INT	KXT5EKIP1KFP	KXT5EKIP1KW

External modules

Size	Type	U.S. Ordering Code
XT2-XT4-XT5-XT7-XT7 M	Ekip Signalling 10K	ZEA10K
XT2-XT4-XT5-XT7-XT7 M	Ekip Signalling 10K Modbus TCP	ZEASIGMBTCP



Ekip 10K Signalling

Cartridge and XT7 modules

Size	Type	U.S. Ordering Code
XT2-XT4-XT5-XT7-XT7 M	Ekip Signalling 2K-1	ZEA2K1
XT2-XT4-XT5-XT7-XT7 M	Ekip Signalling 2K-2	ZEA2K2
XT2-XT4-XT5-XT7-XT7 M	RELT- Ekip 2k-3	ZEB2K3
XT2-XT4-XT5-XT7-XT7 M	Ekip Signalling 3T-1 AI - Temp PT1000	ZEA3T1
XT2-XT4-XT5-XT7-XT7 M	Ekip Signalling 3T-2 AI - Temp PT1000	ZEA3T2

Other modules



Ekip Measuring

Measuring modules

Size	Type	U.S. Ordering Code
XT7-XT7 M	Ekip Measuring module	KXT7EKIPM
XT7-XT7 M	Voltage socket for neutral on right side L1 L2 L3 N	ZE1VSNRT

Synchrocheck module

Size	Type	U.S. Ordering Code
XT2-XT4-XT5-XT7-XT7 M	Ekip Synchrocheck	ZEASYNCHK



Ekip Signalling 1K-1 XT5

Contacteur interface module for Ekip M Touch LRIU trip unit

Size	Type	U.S. Ordering Code
XT2-XT4-XT5-XT7-XT7 M	Ekip CI	KXTTEKIPCI

Ordering codes for accessories

Accessories for Ekip Touch trip units



Current sensor

Current Sensor

Current sensor for neutral conductor outside the circuit-breaker

Size	Type	U.S. Ordering Code
XT2	CS External neutral $I_n \leq 60A$ Ekip Touch with voltage	KXT2CTUTCHV60
XT2	CS External neutral $I_n \geq 100A$ Ekip Touch with voltage	KXT2CTUTCHV100
XT4	CS External neutral Ekip Touch with voltage	KXT4CTUTCHV
XT5	CS External neutral Ekip Touch with voltage	KXT5CTUTCHV
XT7-XT7 M	CS External neutral up to 1200A	ZE1NCT



Differential toroid

Homopolar toroid for the earthing conductor of the main power supply

Size	Type	U.S. Ordering Code
XT7-XT7 M	Homoplar toroid 100A	ZEAHT100
XT7-XT7 M	Homoplar toroid 250A	ZEAHT250
XT7-XT7 M	Homoplar toroid 400A	ZEAHT400
XT7-XT7 M	Homoplar toroid 800A	ZEAHT800
XT7-XT7 M	Toroid RC 3p	ZE12RCT1

Modified differential ground fault terminal

Size	Type	U.S. Ordering Code
XT7-XT7 M	MDGF terminal for fixed circuit-breaker ¹	ZEAHT100
XT7-XT7 M	MDGF terminal for withdrawable circuit-breaker ¹	ZE12RCT1

¹ External phase current sensor and external summing current transformer must be order separately

Rating plug



Rating plug

Size	Type	Loose supply U.S. Ordering Code
XT5	Rating plug $I_n=250A$	KXT5RP250UL
XT5	Rating plug $I_n=300A$	KXT5RP300UL
XT5	Rating plug $I_n=400A$	KXT5RP400UL
XT5	Rating plug $I_n=500A$	KXT5RP500UL
XT5	Rating plug $I_n=600A$	KXT5RP600UL
XT7-XT7 M	Rating plug $I_n=600 A$ XT7-XT7 M	LXT7RP600ULA
XT7-XT7 M	Rating plug $I_n=800 A$ XT7-XT7 M	KXT7RP800ULA
XT7-XT7 M	Rating plug $I_n=1000 A$ XT7-XT7 M	KXT7RP1000ULA
XT7-XT7 M	Rating plug $I_n=1200 A$ XT7-XT7 M	KXT7RP1200ULA

Ordering codes for accessories

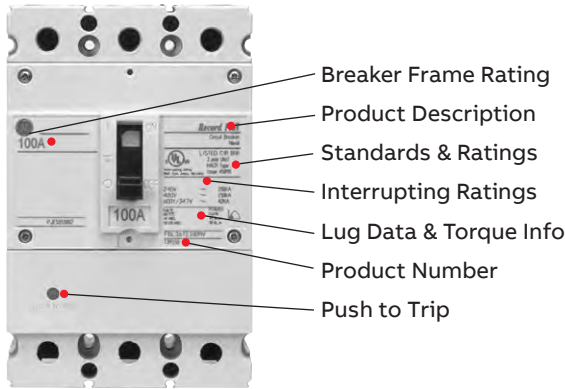
Other accessories for trip units

Test and configuration

Test and configuration

Size	Type	U.S. Ordering Code
XT2-XT4-XT5-XT6-XT7-XT7 M	Ekip TT - Trip test unit	ZEAEKPTT
XT2-XT4-XT5-XT7-XT7 M	Ekip Programming	ZEAEKPPGM
XT2-XT4-XT5-XT6-XT7-XT7 M	Ekip T&P - Programming and test unit	ZEAEKPTP

Record Plus™ FB 100



Reference Publications

Available for download from electrification.us.abb.com/publibrary

FB Breaker Installation Instructions Fact sheet	DEH-41073 DET-406
FB Breaker Accessories Bell Alarm & Aux. Switch Shunt Trip & UVR Padlock Device Lug Kits	DEH-40324 DEH-40363 DEH-40521 DEH-40532
Panelboards A-Series™ AD Plus Catalog/Selection Guide A-Series™ AD Plus Fact Sheet Spectra™ Power Panel - Plug-in Kits Spectra™ Power Panel - Bolt-on Kits Spectra™ Power Panel - Filler Plates	DEP-134 DET-397 DEH-41123 DEH-41124 DEH-41125
Outline Drawings FB 1 pole FB 2 pole FB 3 pole	10091632SH1 10091636SH1 10091641SH1
Series Ratings	DET-008

FB Breaker Markings

cULus	UL File E-11592	
HACR	15 to 100A	1, 2, 3 Pole
HID	15 to 50A	1, 2, 3 Pole
NAVAL	15 to 100A	1, 2, 3 Pole
Cu/Al 60/75°C	15 to 100A	1, 2, 3 Pole
Current Limiting	15 to 100A	1, 2, 3 Pole

FB breakers are NOT marked LINE/LOAD and can be reverse fed.

Trip Curves

Trip Unit Rated Current (A)	Trip Curve
15	DES-013
20	DES-014
25	DES-015
30	DES-016
35	DES-017
40	DES-018
45	DES-019
50	DES-020
60	DES-021
70	DES-022
80	DES-023
90	DES-024
100	DES-025
Peak Current Curves	DES-030
Peak I ² t Curve	DES-031

FB Breaker Markings

Type	Ampere Rating	Max AC/DC Voltage		No. Poles	UL Listed Interrupting Ratings - rms Symmetrical Amperes (in Thousands)						
					AC/DC Voltage					Vdc	
					Vac					250	500
		240V	277V	347V	480V	600/347V					
FBV	15-100	600/347VAC	500VDC	1	35	35	22	-	-	-	-
				2	65	-	-	35	22	25	-
				3	65	-	-	35	22	25	35
FBN	15-100	600/347VAC	500VDC	1	65	65	25	-	-	-	-
				2	150	-	-	65	25	30	-
				3	150	-	-	65	25	30	42
FBH	15-100	600/347VAC	500VDC	1	100	100	35	-	-	-	-
				2	200	-	-	100	35	42	-
				3	200	-	-	100	35	42	65
FBL	15-100	600/347VAC	500VDC	1	100	150	42	-	-	-	-
				2	200	-	-	150	42	65	-
				3	200	-	-	150	42	65	80

FB breakers are NOT marked LINE/LOAD and can be reverse fed.

Product Number Structure

F	B	N	3	6	TE	050	R
Family F = Family Record Plus							Connection R = Standard, No Lugs R2 = Load Lugs Only RV = A-Series™ AD Plus Lighting Panel (Includes Load Lugs and panel connections)
Frame Rating (Amperes) B = 100							
Interruption Rating (480V) V = 35kA N = 65kA H = 100kA L = 150kA							Rated Current (A)¹ 015-100
Poles 1 = 1 pole 2 = 2 poles 3 = 3-poles							
					Type TE = Fixed Thermal Magnetic		
				Voltage Rating 6 = 600/347			

¹Available ampere ratings: 15, 20, 25, 30, 35, 40, 45, 50, 60, 70, 80, 90, 100.

Record Plus™ FB 100

1-Pole Record Plus™ FB 100 Breakers IC @ 600/347 Vac

Rated Current (A)	35kA Product No.	65kA Product No.	100kA Product No.	150kA Product No.	Connection
15	FBV16TE015R	FBN16TE015R	FBH16TE015R	FBL16TE015R	No Lugs
	FBV16TE015R2	FBN16TE015R2	FBH16TE015R2	FBL16TE015R2	Load Lugs Only
	FBV16TE015RV	FBN16TE015RV	FBH16TE015RV	FBL16TE015RV	Load Lugs and Panel Connections
20	FBV16TE020R	FBN16TE020R	FBH16TE020R	FBL16TE020R	No Lugs
	FBV16TE020R2	FBN16TE020R2	FBH16TE020R2	FBL16TE020R2	Load Lugs Only
	FBV16TE020RV	FBN16TE020RV	FBH16TE020RV	FBL16TE020RV	Load Lugs and Panel Connections
25	FBV16TE025R	FBN16TE025R	FBH16TE025R	FBL16TE025R	No Lugs
	FBV16TE025R2	FBN16TE025R2	FBH16TE025R2	FBL16TE025R2	Load Lugs Only
	FBV16TE025RV	FBN16TE025RV	FBH16TE025RV	FBL16TE025RV	Load Lugs and Panel Connections
30	FBV16TE030R	FBN16TE030R	FBH16TE030R	FBL16TE030R	No Lugs
	FBV16TE030R2	FBN16TE030R2	FBH16TE030R2	FBL16TE030R2	Load Lugs Only
	FBV16TE030RV	FBN16TE030RV	FBH16TE030RV	FBL16TE030RV	Load Lugs and Panel Connections
35	FBV16TE035R	FBN16TE035R	FBH16TE035R	FBL16TE035R	No Lugs
	FBV16TE035R2	FBN16TE035R2	FBH16TE035R2	FBL16TE035R2	Load Lugs Only
	FBV16TE035RV	FBN16TE035RV	FBH16TE035RV	FBL16TE035RV	Load Lugs and Panel Connections
40	FBV16TE040R	FBN16TE040R	FBH16TE040R	FBL16TE040R	No Lugs
	FBV16TE040R2	FBN16TE040R2	FBH16TE040R2	FBL16TE040R2	Load Lugs Only
	FBV16TE040RV	FBN16TE040RV	FBH16TE040RV	FBL16TE040RV	Load Lugs and Panel Connections
45	FBV16TE045R	FBN16TE045R	FBH16TE045R	FBL16TE045R	No Lugs
	FBV16TE045R2	FBN16TE045R2	FBH16TE045R2	FBL16TE045R2	Load Lugs Only
	FBV16TE045RV	FBN16TE045RV	FBH16TE045RV	FBL16TE045RV	Load Lugs and Panel Connections
50	FBV16TE050R	FBN16TE050R	FBH16TE050R	FBL16TE050R	No Lugs
	FBV16TE050R2	FBN16TE050R2	FBH16TE050R2	FBL16TE050R2	Load Lugs Only
	FBV16TE050RV	FBN16TE050RV	FBH16TE050RV	FBL16TE050RV	Load Lugs and Panel Connections
60	FBV16TE060R	FBN16TE060R	FBH16TE060R	FBL16TE060R	No Lugs
	FBV16TE060R2	FBN16TE060R2	FBH16TE060R2	FBL16TE060R2	Load Lugs Only
	FBV16TE060RV	FBN16TE060RV	FBH16TE060RV	FBL16TE060RV	Load Lugs and Panel Connections
70	FBV16TE070R	FBN16TE070R	FBH16TE070R	FBL16TE070R	No Lugs
	FBV16TE070R2	FBN16TE070R2	FBH16TE070R2	FBL16TE070R2	Load Lugs Only
	FBV16TE070RV	FBN16TE070RV	FBH16TE070RV	FBL16TE070RV	Load Lugs and Panel Connections
80	FBV16TE080R	FBN16TE080R	FBH16TE080R	FBL16TE080R	No Lugs
	FBV16TE080R2	FBN16TE080R2	FBH16TE080R2	FBL16TE080R2	Load Lugs Only
	FBV16TE080RV	FBN16TE080RV	FBH16TE080RV	FBL16TE080RV	Load Lugs and Panel Connections
90	FBV16TE090R	FBN16TE090R	FBH16TE090R	FBL16TE090R	No Lugs
	FBV16TE090R2	FBN16TE090R2	FBH16TE090R2	FBL16TE090R2	Load Lugs Only
	FBV16TE090RV	FBN16TE090RV	FBH16TE090RV	FBL16TE090RV	Load Lugs and Panel Connections
100	FBV16TE100R	FBN16TE100R	FBH16TE100R	FBL16TE100R	No Lugs
	FBV16TE100R2	FBN16TE100R2	FBH16TE100R2	FBL16TE100R2	Load Lugs Only
	FBV16TE100RV	FBN16TE100RV	FBH16TE100RV	FBL16TE100RV	Load Lugs and Panel Connections

Record Plus™ FB 100

2-Pole Record Plus™ FB 100 Breakers IC @ 600/347 Vac

Rated Current (A)	35kA Product No.	65kA Product No.	100kA Product No.	150kA Product No.	Connection
15	FBV26TE015R	FBN26TE015R	FBH26TE015R	FBL26TE015R	No Lugs
	FBV26TE015R2	FBN26TE015R2	FBH26TE015R2	FBL26TE015R2	Load Lugs Only
	FBV26TE015RV	FBN26TE015RV	FBH26TE015RV	FBL26TE015RV	Load Lugs and Panel Connections
20	FBV26TE020R	FBN26TE020R	FBH26TE020R	FBL26TE020R	No Lugs
	FBV26TE020R2	FBN26TE020R2	FBH26TE020R2	FBL26TE020R2	Load Lugs Only
	FBV26TE020RV	FBN26TE020RV	FBH26TE020RV	FBL26TE020RV	Load Lugs and Panel Connections
25	FBV26TE025R	FBN26TE025R	FBH26TE025R	FBL26TE025R	No Lugs
	FBV26TE025R2	FBN26TE025R2	FBH26TE025R2	FBL26TE025R2	Load Lugs Only
	FBV26TE025RV	FBN26TE025RV	FBH26TE025RV	FBL26TE025RV	Load Lugs and Panel Connections
30	FBV26TE030R	FBN26TE030R	FBH26TE030R	FBL26TE030R	No Lugs
	FBV26TE030R2	FBN26TE030R2	FBH26TE030R2	FBL26TE030R2	Load Lugs Only
	FBV26TE030RV	FBN26TE030RV	FBH26TE030RV	FBL26TE030RV	Load Lugs and Panel Connections
35	FBV26TE035R	FBN26TE035R	FBH26TE035R	FBL26TE035R	No Lugs
	FBV26TE035R2	FBN26TE035R2	FBH26TE035R2	FBL26TE035R2	Load Lugs Only
	FBV26TE035RV	FBN26TE035RV	FBH26TE035RV	FBL26TE035RV	Load Lugs and Panel Connections
40	FBV26TE040R	FBN26TE040R	FBH26TE040R	FBL26TE040R	No Lugs
	FBV26TE040R2	FBN26TE040R2	FBH26TE040R2	FBL26TE040R2	Load Lugs Only
	FBV26TE040RV	FBN26TE040RV	FBH26TE040RV	FBL26TE040RV	Load Lugs and Panel Connections
45	FBV26TE045R	FBN26TE045R	FBH26TE045R	FBL26TE045R	No Lugs
	FBV26TE045R2	FBN26TE045R2	FBH26TE045R2	FBL26TE045R2	Load Lugs Only
	FBV26TE045RV	FBN26TE045RV	FBH26TE045RV	FBL26TE045RV	Load Lugs and Panel Connections
50	FBV26TE050R	FBN26TE050R	FBH26TE050R	FBL26TE050R	No Lugs
	FBV26TE050R2	FBN26TE050R2	FBH26TE050R2	FBL26TE050R2	Load Lugs Only
	FBV26TE050RV	FBN26TE050RV	FBH26TE050RV	FBL26TE050RV	Load Lugs and Panel Connections
60	FBV26TE060R	FBN26TE060R	FBH26TE060R	FBL26TE060R	No Lugs
	FBV26TE060R2	FBN26TE060R2	FBH26TE060R2	FBL26TE060R2	Load Lugs Only
	FBV26TE060RV	FBN26TE060RV	FBH26TE060RV	FBL26TE060RV	Load Lugs and Panel Connections
70	FBV26TE070R	FBN26TE070R	FBH26TE070R	FBL26TE070R	No Lugs
	FBV26TE070R2	FBN26TE070R2	FBH26TE070R2	FBL26TE070R2	Load Lugs Only
	FBV26TE070RV	FBN26TE070RV	FBH26TE070RV	FBL26TE070RV	Load Lugs and Panel Connections
80	FBV26TE080R	FBN26TE080R	FBH26TE080R	FBL26TE080R	No Lugs
	FBV26TE080R2	FBN26TE080R2	FBH26TE080R2	FBL26TE080R2	Load Lugs Only
	FBV26TE080RV	FBN26TE080RV	FBH26TE080RV	FBL26TE080RV	Load Lugs and Panel Connections
90	FBV26TE090R	FBN26TE090R	FBH26TE090R	FBL26TE090R	No Lugs
	FBV26TE090R2	FBN26TE090R2	FBH26TE090R2	FBL26TE090R2	Load Lugs Only
	FBV26TE090RV	FBN26TE090RV	FBH26TE090RV	FBL26TE090RV	Load Lugs and Panel Connections
100	FBV26TE100R	FBN26TE100R	FBH26TE100R	FBL26TE100R	No Lugs
	FBV26TE100R2	FBN26TE100R2	FBH26TE100R2	FBL26TE100R2	Load Lugs Only
	FBV26TE100RV	FBN26TE100RV	FBH26TE100RV	FBL26TE100RV	Load Lugs and Panel Connections

Record Plus™ FB 100

3-Pole Record Plus™ FB 100 Breakers IC @ 600/347 Vac

Rated Current (A)	35kA Product No.	65kA Product No.	100kA Product No.	150kA Product No.	Connection
15	FBV36TE015R	FBN36TE015R	FBH36TE015R	FBL36TE015R	No Lugs
	FBV36TE015R2	FBN36TE015R2	FBH36TE015R2	FBL36TE015R2	Load Lugs Only
	FBV36TE015RV	FBN36TE015RV	FBH36TE015RV	FBL36TE015RV	Load Lugs and Panel Connections
20	FBV36TE020R	FBN36TE020R	FBH36TE020R	FBL36TE020R	No Lugs
	FBV36TE020R2	FBN36TE020R2	FBH36TE020R2	FBL36TE020R2	Load Lugs Only
	FBV36TE020RV	FBN36TE020RV	FBH36TE020RV	FBL36TE020RV	Load Lugs and Panel Connections
25	FBV36TE025R	FBN36TE025R	FBH36TE025R	FBL36TE025R	No Lugs
	FBV36TE025R2	FBN36TE025R2	FBH36TE025R2	FBL36TE025R2	Load Lugs Only
	FBV36TE025RV	FBN36TE025RV	FBH36TE025RV	FBL36TE025RV	Load Lugs and Panel Connections
30	FBV36TE030R	FBN36TE030R	FBH36TE030R	FBL36TE030R	No Lugs
	FBV36TE030R2	FBN36TE030R2	FBH36TE030R2	FBL36TE030R2	Load Lugs Only
	FBV36TE030RV	FBN36TE030RV	FBH36TE030RV	FBL36TE030RV	Load Lugs and Panel Connections
35	FBV36TE035R	FBN36TE035R	FBH36TE035R	FBL36TE035R	No Lugs
	FBV36TE035R2	FBN36TE035R2	FBH36TE035R2	FBL36TE035R2	Load Lugs Only
	FBV36TE035RV	FBN36TE035RV	FBH36TE035RV	FBL36TE035RV	Load Lugs and Panel Connections
40	FBV36TE040R	FBN36TE040R	FBH36TE040R	FBL36TE040R	No Lugs
	FBV36TE040R2	FBN36TE040R2	FBH36TE040R2	FBL36TE040R2	Load Lugs Only
	FBV36TE040RV	FBN36TE040RV	FBH36TE040RV	FBL36TE040RV	Load Lugs and Panel Connections
45	FBV36TE045R	FBN36TE045R	FBH36TE045R	FBL36TE045R	No Lugs
	FBV36TE045R2	FBN36TE045R2	FBH36TE045R2	FBL36TE045R2	Load Lugs Only
	FBV36TE045RV	FBN36TE045RV	FBH36TE045RV	FBL36TE045RV	Load Lugs and Panel Connections
50	FBV36TE050R	FBN36TE050R	FBH36TE050R	FBL36TE050R	No Lugs
	FBV36TE050R2	FBN36TE050R2	FBH36TE050R2	FBL36TE050R2	Load Lugs Only
	FBV36TE050RV	FBN36TE050RV	FBH36TE050RV	FBL36TE050RV	Load Lugs and Panel Connections
60	FBV36TE060R	FBN36TE060R	FBH36TE060R	FBL36TE060R	No Lugs
	FBV36TE060R2	FBN36TE060R2	FBH36TE060R2	FBL36TE060R2	Load Lugs Only
	FBV36TE060RV	FBN36TE060RV	FBH36TE060RV	FBL36TE060RV	Load Lugs and Panel Connections
70	FBV36TE070R	FBN36TE070R	FBH36TE070R	FBL36TE070R	No Lugs
	FBV36TE070R2	FBN36TE070R2	FBH36TE070R2	FBL36TE070R2	Load Lugs Only
	FBV36TE070RV	FBN36TE070RV	FBH36TE070RV	FBL36TE070RV	Load Lugs and Panel Connections
80	FBV36TE080R	FBN36TE080R	FBH36TE080R	FBL36TE080R	No Lugs
	FBV36TE080R2	FBN36TE080R2	FBH36TE080R2	FBL36TE080R2	Load Lugs Only
	FBV36TE080RV	FBN36TE080RV	FBH36TE080RV	FBL36TE080RV	Load Lugs and Panel Connections
90	FBV36TE090R	FBN36TE090R	FBH36TE090R	FBL36TE090R	No Lugs
	FBV36TE090R2	FBN36TE090R2	FBH36TE090R2	FBL36TE090R2	Load Lugs Only
	FBV36TE090RV	FBN36TE090RV	FBH36TE090RV	FBL36TE090RV	Load Lugs and Panel Connections
100	FBV36TE100R	FBN36TE100R	FBH36TE100R	FBL36TE100R	No Lugs
	FBV36TE100R2	FBN36TE100R2	FBH36TE100R2	FBL36TE100R2	Load Lugs Only
	FBV36TE100RV	FBN36TE100RV	FBH36TE100RV	FBL36TE100RV	Load Lugs and Panel Connections

Record Plus™ FB 100 Internal Accessories

Releases – Shunt Trip and Undervoltage

Voltage	Shunt Trip	Undervoltage Release
	Product No.	Product No.
12 VDC	FASHTBW	–
24 VAC/DC	FASHTDW	FAUVRDW
48 VAC/DC	FASHTFW	FAUVRFW
110-130 VAC/110-125 VDC	FASHTJW	FAUVRJW
120 VAC	FASHTKW	–
220/240 VAC, 250 VDC	FASHTNW	FAUVRNW
277 VAC	FASHT7W	FAUVR7W
400/480 VAC	FASHTUW	FAUVRUW

UL Listed for field installation. Accessories are prewired from the factory with 36 inch long leads (#18 AWG). Shunt trip wire leads are black and UVR wire leads are blue.

Bell Alarm

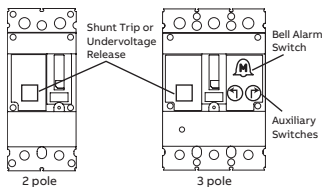
Contact Configuration	Contacts	Contact Rating	Wire leads	Product No.
1 NO (Form A)	Standard	5A @ 277 VAC, 0.3A @ 125 VDC	#16 AWG	FABAM10W
1 NC (Form B)	Standard	5A @ 277 VAC, 0.3A @ 125 VDC	#16 AWG	FABAM01W

UL Listed for field installation. Accessories are prewired from the factory with 36 inch long leads. Reference instruction sheet DEH-40324 for wire lead colors.

Auxiliary Switches

Contact Configuration	Contacts	Contact Rating	Wire leads	Left Mount	Right Mount
				Product No.	Product No.
1 NO (Form A)	Standard	5A @ 277 VAC, 0.3A @ 125 VDC	#16 AWG	FAS10LW	FAS10RW
1 NC (Form B)	Standard	5A @ 277 VAC, 0.3A @ 125 VDC	#16 AWG	FAS01LW	FAS01RW

UL Listed for field installation. Accessories are prewired from the factory with 36 inch long leads. Reference instruction sheet DEH-40324 for wire lead colors.



Mounting Locations

Mounting Locations and Limitations

Accessory	Mounting Pocket Location	Accessory Installation		
		1 Pole	2 Pole	3 Pole
Shunt Trip or Undervoltage Release	□	0	1	1
Aux. Switch - Left Mount	⌚	0	0	1
Aux. Switch - Right Mount	⌚	0	0	1
Bell Alarm	Ⓜ	0	0	1
Maximum Number of Internal Accessories That Can Be Installed	–	0	1	4

Record Plus™ FB 100

External Accessories

Padlocking Devices

Description	Product No.
Padlock Fixed Toggle	FB1PF
Padlock EUSERC Toggle	FB1PE

Lugs and Lug Kits

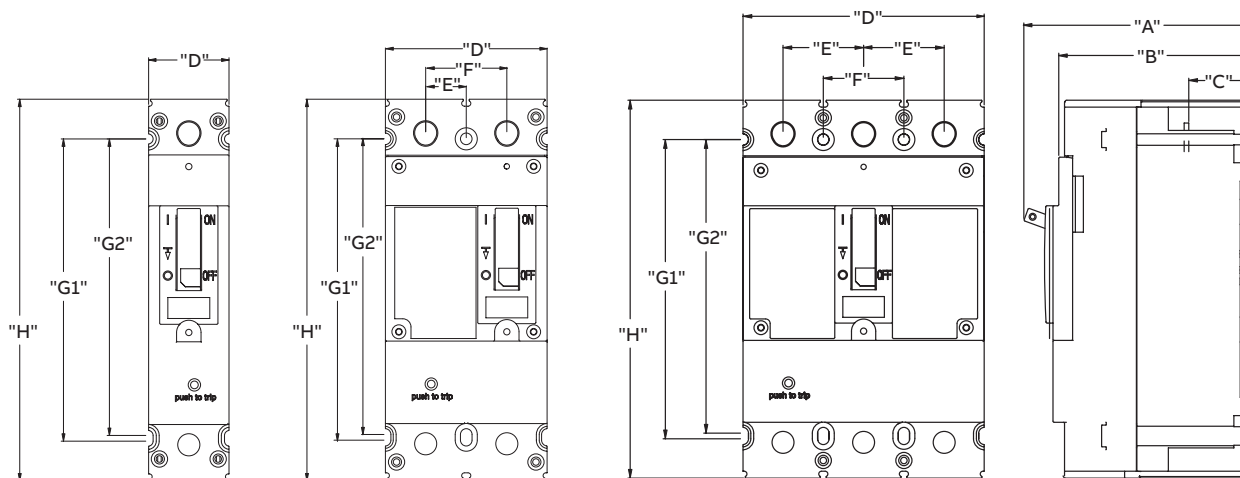
Amp Range	Wire Range	Strip Length	Single Lug Product No.	Lug Kit Product No. (Set of 3)
15-20A	14-10 Cu/Al	.40-.50"	FCAL12	FCALK12
25-60A	10-4 Cu/Al	.40-.50"	FCAL13	FCALK13
70-100A	4-1/0 Cu/Al	.40-.50"	FCAL14	FCALK14

Lug Tightening Torque

Wire Size	Torque
#10 AWG	35 in-lb
#8 AWG	40 in-lb
#6-#4 AWG	45 in-lb
#3 AWG - 1/0	50 in-lb

FB 100 Dimensions in.(mm)

Poles	A	B	C	D	E	F	G1	G2	H
1	3.88 (98.6)	3.28 (83.3)	1.06 (26.9)	1.36 (34.5)	N/A	N/A	5.11 (129.8)	5.01 (127.3)	6.45 (163.8)
2	3.88 (98.6)	3.28 (83.3)	1.06 (26.9)	2.74 (69.6)	0.69 (17.5)	1.38 (35.1)	5.11 (129.8)	5.01 (127.3)	6.45 (163.8)
3	3.88 (98.6)	3.28 (83.3)	1.06 (26.9)	4.11 (104.4)	1.38 (35.1)	1.38 (35.1)	5.11 (129.8)	5.01 (127.3)	6.45 (163.8)



Molded Case Switches

100-1200A

Molded Case Switches Nonautomatic Trip, Includes Cu/Al line and load lugs. For optional lugs, see page 6-173 and 6-178.

Type	Ampere Rating	Number of Poles	Voltage Rating	Product Number
TEB	100	1	120 Vac, 125 Vdc	TEB111Y100 ¹
TEB	100	2	240 Vac, 250 Vdc	TEB122Y100 ¹
TEB	100	3	240 Vac	TEB132Y100 ¹
TEB	100	3	240Vac	TEB132YT100 ³
TED	100	1	277 Vac, 125 Vdc	TED113Y100 ¹
TED	100	2	480 Vac, 250 Vdc	TED124Y100 ¹
TED	100	3	480Vac, 250Vdc	TED134YT100 ³
TED	100	3	600Vac	TED136YT100 ³
TED	100	3	600Vac	TED136YT100A ⁴
TED	150	2	480 Vac, 250 Vdc	TED124Y150 ^{1,2}
TED	150	3	480Vac, 250Vdc	TED134YT150 ³
TED	150	3	600Vac	TED136YT150 ³

¹Internal accessory requires factory installed dummy trip. Specify on order. Accessories not available for one-pole TEB, TED.

²Not UL listed.

³Includes factory installed dummy trip for accessory installation.

⁴Includes factory installed dummy trip and TCAL12A lugs.

External Accessories

Door-Mounted Operators



TDM Operating Handle, Fixed or Adjustable Shaft

TDM Handle Operating Mechanisms, Door Mounted

Complete mechanism with handle UL listed, E-57253

Operating mechanism only, UL Component Recognized, E-57253 SE150 Add-on 3-Pole Limiters

Breaker Type	Box Depth in Inches	Complete Mechanism ¹ with NEMA 1, 3R, 12 Handle		Handle Only	
		Product Number	Product Number	NEMA 1, 3R, 12	NEMA 4/4X
		Product Number	Product Number	Product Number	Product Number
TEB, TEC, TB1, TED, THED	Shallow Mount 4 3/16	TEFHM1	TEFOM1	TH1	THCH45 ^{2,3}
	Extended Shaft 5-1/8 - 5 7/32 5 1/8 - 5 13/16 5 1/8 - 15	TEFHM3	TEFOM3		
		TEFHM4	TEFOM4		
		TEFHM2	TEFOM2		
THJK, TB4, TBC4	Shallow Mount 5 7/8	TJKHM1	TJKOM1	TH2	

¹Handle assembly and operating mechanism separately packaged.

²Provides interlocking for J600, SG600 SK1200, and K1200 breakers when used with the extended shaft operating mechanism. For interlocking with E150/SE150, F225 and SF250 order special shaft Product Number 788A832G1.

³For 15-inch long shaft order Product Number 788A832G2. For 20-inch long shaft order Product Number 788A832G5.

Handle Accessories for TDM Operating Mechanisms

Device	Product Number
Replacement neoprene gaskets for NEMA 1, 3R and 12 enclosures Use with TH1	788A742P3
Use with TH2	788A742P4



TDR Handle on TED Circuit Breaker

TDR Integral Handle Mechanism¹ Suitable for NEMA 12 Applications²

Breaker Type	Handle			Door Ring - Interlock Catch Kit	NEMA 12 Gasket Kit
	Vertical Mounting Product Number	Horizontal Mounting Product Number	Ship Weight	Product Number	Product Number
TEB, TEC, TB1-B, TED, THED	TEFR1B	TEFR1HB	17 ³	SEFRDRCK	SEFRGSK
TFC, TFJ, TFK, THFK	TFKR1B	TFKR1HB	22 ³	343L483G5	
THJK, TB4, TBC4	TJR1B	TJR1HB	5	343L483G2	SGRGSK
TKC, TKM, THKM, TB6, TB8, TBC6, TBC8	TKMR1B	TKMR1HB	5	SKRDRCK	SKRGSK

¹Not suitable for use with mine duty or heavy duty UVR breakers.

²Requires Gasket kit.

³Shipped 12 per pack.

External Accessories

Motor Operators and Plug-in Hardware

Motor Mounted Mechanism

UL Listed

Breaker Type	Voltage		Product Number
	Vac 50/60 Hz	Vdc	
TEB, ¹ TEC, TED, ¹ THED, TB1, THLC1 ²	–	24	TEDMOMA8
	120 ³	–	TEDMOMA1
	240 ^{4,5}	–	TEDMOMA2
THJK, TB4, TBC4	–	24	TJKMOMA8
	120	125	TJKMOMA1
	240 ^{4,5}	250	TJKMOMA2

Mounting Screw Kit for Motor-Operated Mechanism⁶

Breaker Type	Mounting Screw Kit Product Number
TED, TB1	343L564G7

¹For use on 3-pole breaker only.

²Motor-operated mechanisms must have Code Date 506 + or later for use with THLC1.

³TEDMOMA1 not rated at 50 hertz.

⁴Suitable for use at 208 Vac.

⁵Not UL listed.

⁶Required with plug-in mounting base assembly when used with motor-operating mechanisms or TDR integral-handle kits. Furnished no charge when ordered with mounting base.

External Accessories

Locking Devices

Handle-Locking, Handle-Extension Devices

Breaker Type	Device	Product Number
TEY	Handle locking	TEYLD1
E150 Line THLC2, 4	Handle locking	TFKLD1

Standard Padlocking Devices¹

Breaker Type	Device Product Number
TEY	TEYPLD1
E150, TB1	TEFPLD1

EUSERC Approved - Factory Installed Only

Breaker Type	Product Number
E150	TEDPLD2

¹Suitable for circuit breakers used in group mounted panelboard construction only except for J600, K1200, SE150/SF250, SG600 and SK1200 which screw down to face of breaker.

External Accessories

Breaker Mounting Hardware and Kits

Breaker Mounting Screw Kits and Accessories

Application	Breaker Type	Product Number
Bolt-on Mounting Base	TEY	TEY3B ¹
For use on mounting plates with clearance holes	1-pole E150	343L162G1
	2- and 3-pole E150	SEMSK4
For use on mounting plates with tapped holes	1-pole TE, E150	343L162G7
	2- and 3-pole E150	SEMSK3
Cup washer (for mounting 1-pole breakers)	E150	254V644P1 (2 req'd per breaker)

Back-Connected Line and Load Studs

Breaker Type	Amperes	Length, Back of Breaker in Inches	Std Pkg ³	Product Number
E150 ² , TB1 ² , THLC1 ²	50	2 25/32 (short)	1	TEF1
		4 13/32 (long)	1	TEF2
	150	3 13/32 (short)	1	TEF3
		5 25/32 (long)	1	TEF4

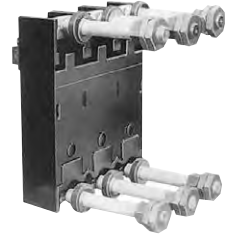
¹Accepts up to 3-poles (any combination).

²For proper clearance between poles, a short and long stud must be assembled adjacent to each other.

³Contains 24 mounting screws.

External Accessories

Lugs and Associated Hardware



Breaker with Line and Load Studs

Lugs, Line Shields, Covers and Bus Connectors

Accessory	Wire Range	For Use With	Product Number	Description
Copper-Aluminum Lugs	(1) #14-6 Cu, #12-2 Al	TQC (15-60A) (Non DIN Rail)	TQAL3	Single Lug
	(1) #4-1/0 Cu-Al	TQC (70-100A)	TQAL4	Single Lug
	(1) #14-8	E150, THLC1, TB1, (15-30A)	TCAL14	Single Lug
	(1) #14-3 Cu, #12-1 Al	E150, THLC1, TB1, (15-60A)	TCAL12	Single Lug
	(1) #6-2/0 Cu, #4-2/0 Al	E150, THLC1, TB1, (70-90A)	TCAL12A	Single Lug
	(1) #3-3/0 Cu, #1-3/0 Al	E150, THLC1, TB1, (100-150A)	TCAL15	Single Lug
	(1) 3/0-500 kcmil or (2) 3/0-250 kcmil Cu-Al	TLB4, THLC4	TCLK43	Single Lug
	(2) 1/0-250 kcmil or (1) #4-600 kcmil Cu-Al	TB6 (300-400A)	TCAL41	Single Lug
	(2) 2/0-500 kcmil Cu-A	TB6 (300-600A)	TCAL61	Single Lug
			TCALK26 ¹	2-Lug Kit w/ Wrench
			TCALK36 ¹	3-Lug Kit w/ Wrench
	(3) 3/0-500 kcmil Cu-Al	TB8 (600-800A)	TCAL81 ¹	Single Lug
			TCALK281 ¹	2-Lug Kit w/ Wrench
	(3) 3/0-500 kcmil Cu-Al	TK4V - Load end	TCALK381 ¹	3-Lug Kit w/ Wrench
TCAL91 ¹			Single Lug	
(4) 250-350 kcmil Cu or (4) 250-500 kcmil Al	TK4V - Load end	TCALK291 ¹	2-Lug Kit w/ Wrench	
		TCALK391 ¹	3-Lug Kit w/ Wrench	
Copper Only Lugs With Follower and Extra Plating	#14-2/0	E150, TB1 (thru 150A)	TC012	Single Lug
	(1) 6-600 kcmil or (2) 1/0-250 kcmil Cu	TB4	TC043	Single Lug
	(2) 250-350 kcmil Cu	-	TC063	Single Lug
	(1) 1/0-600 kcmil or (2) 1/0-250 kcmil Cu	TB6 (300-400A)	TC041 ⁴	Single Lug
	(2) 2/0-500 kcmil Cu	TB6, (300-600A)	TC061	Single Lug
	(3) 3/0-500 kcmil Cu	TB8 (600-800A)	TC081A	Single Lug
	(3) 3/0-500 kcmil Cu	TK4V - Load end	TC091	Single Lug
	(4) 250-400 kcmil Cu	(1000-1200A)	TC0121	Single Lug
(4) 250-400 kcmil Cu	TK4V - Load end	TC0131	Single Lug	
Line Shield	-	TEB, TEC, TED, THED	TEDLS	-
Lug Cover, TKM Breaker (two per breaker)	-	TC061, TCAL61, TCAL81 Lugs, TC081A	789A448G1	-
		TC0121; TCAL121 Lugs	789A448G2	-
Connector (back strap)	-	TKM	TKMC1	-
Line voltage control wire kit for terminating control wire at breaker lugs	-	K1200	SKLVK ⁵	-

¹Not suitable for 100 A aluminum conductor.

²Suitable for 500 kcmil copper for voltage drop considerations.

³Not UL listed, requires user supplied lug cover.

⁴Not UL listed.

⁵3-pole kit.

External Accessories

Neutral Grounds and Sensors



Power Distribution Lugs

Power Distribution Lugs

Breaker Type	Max Amperes	Wire Range	Product Number	Description
TED	125	(2) 4-14 or (1) 2/0-4 Cu only	TCAL19PD1	Power Distribution Lug
			TCAL19PD3	3-Lug Power Distribution Lug Kit



Neutral Current Sensor

Neutral Current Sensors

For grounded neutral system ground fault applications

Breaker Type	Ampere Rating	Product Number
J	150	TSRG201
	200	TSRG202
	300	TSRG203
	400	TSRG204
	500	TSRG205
	600	TSRG206
K	800	TSKG408
	1000	TSKG410
	1200	TSKG412

Rating Plug Removal Tool

For grounded neutral system ground fault applications

Product Number
TRTOOL

Special Calibration

Contact ABB sales office for availability. May void UL listing status.

External Accessories

Plug-in Hardware

Each plug-in mounting base assembly includes all mounting hardware, studs, and male or female connectors for attachment to one end of breaker. Studs are of different length so by using proper combinations of PD1 and PD2 units, adequate electrical spacing will be assured between adjacent breakers, i.e., a shortlong- short (SLS) unit must be used adjacent to a long-short-long (LSL) unit. Two-pole breakers of the E150 line require an openlong- short (OLS) unit on one end of the breaker and a short-longopen (SLO) on the other since these breakers are built with the normal left pole missing while the mounting bases are built from standard three-pole molded supports.

Two-pole breakers are basically threepole devices with the center pole omitted. When these breakers are to be mounted side by side, a short-open-short (SOS) unit must be used on one end and a long-open-long (LOL) on the other. Horizontal studs are normally supplied with the flat surface of studs at right angles to the long axis of the breaker. If vertical studs are desired, substitute "C" for "D" in the product number, e.g., TE13PC1 (vertical) or TE13PD1 (horizontal).

The optional mounting plate (TMP1, etc.) accurately locates and supports the pair of line and load plug-in mounting-base assemblies and provides a convenient means to attach the entire unit to a metal structure, and serves as a dead front barrier. New drawings are available for customers who prefer to fabricate their own mounting plates.

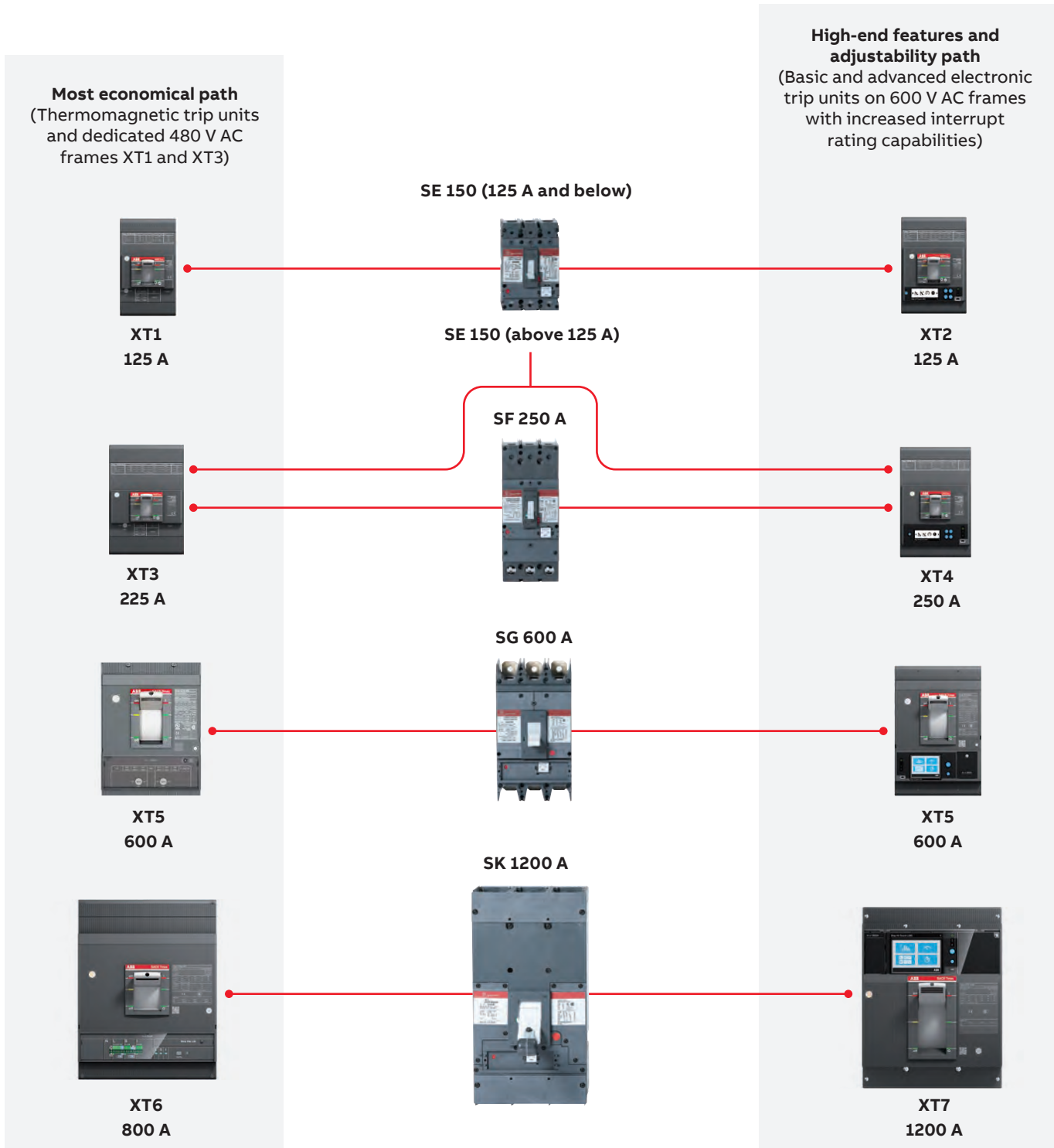
Plug-In Mounting Base Assembly

Plug-In Mounting Bases - 2 Required Per Breaker						Optional Mounting Base
Ampere Rating	Breaker Type	No. Poles	Stud Configuration		Product Number	Product Number
			PD1	PD2		
150	E150 ¹	2	OLS	SLO	TE12PD1,2	TMP1

¹Order 3-pole base for use with 2-pole Hi Break and 600 Vac breakers.

Selecting the right SACE® Tmax® XT frame based on your Spectra™ frame

Select what you need, skip what you don't









Notes: Always consider which rating plug you would use with Spectra in your application. There may be opportunities to reduce a frame size with SACE Tmax XT.







Accessories

Common Spectra accessories

Provided here for reference only to support selection of proper SACE Tmax XT accessory (Spectra series is retiring).

	Group	Type	Voltage	SE
	Lugs	1-piece kit	-	TCAL18 (12-3/0 AWG Cu/Al)
	Auxiliary contacts	Bell alarm	120-240 V AC / 48-125 V DC	SABAP1
		1 AB element	120-240 V AC / 48-125 V DC	SAUXPAB1
		2 AB elements	120-240 V AC / 48-125 V DC	SAUXPAB2
	Shunt trip	Pre-cabled	120 V AC / 125 V DC	SAST1
		Pre-cabled	240 V AC / 250 V DC	SAST2
		Pre-cabled	24 V DC	SAST3
	Undervoltage release	Pre-cabled	120 V AC / 125 V DC	SAUV1
		Pre-cabled	240 V AC / 250 V DC	SAUV2
		Pre-cabled	24 V DC	SAUV3
	Fixed padlock	Open/closed position	-	SEPLD
	Mounting hardware	Mounting hardware for Spectra™ bolt-on power panelboards	-	AMCB6EBFP

Common SACE Tmax XT accessories

	Group	Type	Voltage	XT1	XT2
	Lugs	3-piece kits	-	KXT1CU-3PC (14-1/0 AWG Cu) KXT1CUAL1-3PC (10-2/0 AWG Cu/Al)	KXT2CUAL1-3PC (14-1/0 AWG Cu/Al) KXT2CUAL2-3PC (10-2/0 AWG Cu/Al)
	Auxiliary contacts	AUX-C 1 Q +1 SY ¹	250 V	KXTAAXCQSYFP	KXTAAXCQSYFP
		AUX-C 2 Q +1 SY ¹	250 V	KXTAAXC2QSYFP	KXTAAXC2QSYFP
		AUX-C 1 Q +1 SY ¹	24 V DC	KXTAAXCDQSYFP	KXTAAXCDQSYFP
		AUX-C 3 Q + 1 SY ¹	24 V DC	-	KXTDAXCD3QSYFP
		AUX 4Q ²	24 V DC	-	-
		AUX 4Q ²	400 V	-	-
		AUX 1 SY ¹	24 V DC	-	-
	Shunt trip	Pre-cabled (except for XT7)	24 V DC	KXTASORCFPB	KXTASORCFPB
		Pre-cabled (except for XT7)	110 V	KXTASORCFPD	KXTASORCFPD
		Pre-cabled (except for XT7)	220 V	KXTASORCFPE	KXTASORCFPE
	Undervoltage release	Pre-cabled (except for XT7)	24 V DC	KXTAUVRCFP1	KXTAUVRCFP1
		Pre-cabled (except for XT7)	110 V	KXTAUVRCFP4	KXTAUVRCFP4
		Pre-cabled (except for XT7)	220 V	KXTAUVRCFP5	KXTAUVRCFP5
	Fixed padlock in the open position - PLL	Open position	-	KXTBPLLOP	KXTCPLOP
		Open/closed position	-	KXTBPLLOPCL	KXTCPLOPCL
	Retrofit kit ²	Tmax® XT retrofit kit for Spectra™ bolt-on panelboards ³	-	SRFB6XT1FPX	-

¹ Q = indication of the status of the circuit-breaker power contacts
SY = bell alarm

² Maximum of two SACE Tmax XT4, XT5 or XT7 retrofit kits can be installed side by side in an existing Spectra power panelboard installation

³ If Kirk provisions are required, replace the "X" (last digit) with "K" (example: SRFB6XT1FPX becomes SRFB6XT1FPK)

⁴ XT7 breaker handle extension included in this kit

Accessories

Common Spectra accessories (cont.)

Provided here for reference only to support selection of proper SACE Tmax XT accessory (Spectra series is retiring).

SF	SG	SK
TCAL29 (8 AWG–350 kcmil Cu/Al)	TCLK365 (2/0 AWG–500 kcmil Cu/Al) 3-piece kit	TCAL81 TCAL125 (4x 250–500 kcmil Cu/Al)
SABAP1	SABAP1	SABAP1
SAUXPAB1	SAUXPAB1	SAUXPAB1
SAUXPAB2	SAUXPAB2	SAUXPAB2
SAST1	SAST1	SAST1
SAST2	SAST2	SAST2
SAST3	SAST3	SAST3
SAUV1	SAUV1	SAUV1
SAUV2	SAUV2	SAUV2
SAUV3	SAUV3	SAUV3
SEPLD	SGPLD	SKPLD
AMCB6FJFP	AMCB6GBFP	AMCB3KMFP
AMCB3FJFP	AMCB3GMFP	–

Common SACE Tmax XT accessories (cont.)

XT3	XT4	XT5	XT6	XT7
KXT3CUAL1-3PC (14–1/0 AWG Cu/Al) KXT3CUAL2-3PC (4 AWG–300 kcmil Cu/Al)	KXT4CUAL1-3PC (14–1/0 AWG Cu/Al) KXT4CUAL2-3PC (4 AWG–300 kcmil Cu/Al) KXT4CUAL3-3PC (3/0 AWG–350 kcmil Cu/Al)	KXT5CUAL350K-3PC (6 AWG–350 kcmil Cu/Al) KXT5CUAL500K-3PC (250–500 kcmil Cu/Al) KXT5CUAL2X500K-3PC (2x 2/0 AWG–500 kcmil Cu/Al)	KXT6CUAL2X500K-3PC (2x 250–500 kcmil Cu/Al) KXT6CUAL3X400K-3PC (3x 2/0 AWG–400 kcmil Cu/Al)	KXT7CUAL4X500K-3PC (4x 4/0 AWG–500 kcmil Cu/Al) KXT7CUAL3X750KC-3 (3x 500–750 kcmil Cu/Al)
KXTAAXCQSYFP	KXTAAXCQSYFP	KXTAAXCQSYFP	KXTAAXCQSYFP	–
KXTAAXC2QSYFP	KXTAAXC2QSYFP	KXTAAXC2QSYFP	KXTAAXC2QSYFP	–
KXTAAXCDQSYFP	KXTAAXCDQSYFP	KXTAAXCDQSYFP	KXTAAXCDQSYFP	–
–	KXTDAXCD3QSYFP	KXTDAXCD3QSYFP	KXTDAXCD3QSYFP	–
–	–	–	–	ZE1AUX4D
–	–	–	–	ZE1AUX4
–	–	–	–	ZE1BAD
–	–	–	–	ZE1BA
KXTASORCFPB	KXTASORCFPB	KXTASORCFPB	KXTASORCFPB	ZEASA
KXTASORCFPD	KXTASORCFPD	KXTFYOCFPD	KXTFYOCFPD	ZEASE
KXTASORCFPE	KXTASORCFPE	–	–	ZEASG
KXTAUVRCFP1	KXTAUVRCFP1	KXTFYUC1	KXTFYUC1	ZEUAU
KXTAUVRCFP4	KXTAUVRCFP4	KXTFYUC4	KXTFYUC4	ZEUAU
KXTAUVRCFP5	KXTAUVRCFP5	KXTFYUC5	KXTFYUC5	ZEUAU
KXTBPLLOP	KXTCPLLOP	KXT5PLLOP	KXT6PLLOP	KXT7PLLOP
KXTBPLLOPCL	KXTCPLLOPCL	KXT5PLLOPLC	KXT6PLLOPLC	–
–	SRFB6XT4FPX	SRFB6XT5BFPX	–	SRFB3XT7MFPX0 ⁴
–	SRFB3XT4FPX	SRFB3XT5MFPX	–	–

¹ Q = indication of the status of the circuit-breaker power contacts
SY = bell alarm

² Maximum of two SACE Tmax XT4, XT5 or XT7 retrofit kits can be installed side by side in an existing Spectra power panelboard installation

³ If Kirk provisions are required, replace the "X" (last digit) with "K" (example: SRFB6XT1FPX becomes SRFB6XT1KFPX)

⁴ XT7 breaker handle extension included in this kit