



# OPEN STYLE CONTROL TRANSFORMER



## COMPANY

Hammond Power Solutions Inc. (HPS) is the North American leader for the design and manufacture of high quality standard and custom electrical dry-type transformers and related engineered magnetic devices. Our global footprint has expanded with the addition of facilities in Europe & India. HPS excels at designing products that have very specific application constraints. Having an extensive engineering resource, HPS offers the broadest range of electrical products in the industry and as a result, the company has grown in many diverse markets and provides services to many global leaders.

Hammond Power Solutions Inc., with its headquarters in Guelph, Ontario, Canada, operates out of ten facilities:

Guelph, Ontario

Walkerton, Ontario

Monterrey, Mexico

Baraboo, Wisconsin

Compton, California

Granby, Quebec

Hyderabad, India

## Quality

HPS has been highly regarded for quality products and service since inception. Customers have come to rely on our products and services. Extensive testing programs and an exemplary field service record ensures that HPS products not only meet all the standards necessary, but more importantly, fulfill customers expectations and requirements.

## Design Capabilities

HPS engineering services are located throughout our manufacturing facilities. Our designs are cost effective and our transformers are built with modern manufacturing techniques. We particularly emphasize our Value Added Engineering whereby our design staff will interface with your team to produce the optimum transformer. Our 3-D modelling design and CAD facilities permits quick and effective communication when time is vital.

## Customers

Through our extensive standard and custom product offering, HPS is able to provide a convenient one source solution.

Our engineering design staff work directly with you to produce the most optimum and cost effective solution for your application. We will design to your specification requirements and all transformers are built with modern manufacturing techniques.

HPS is also a major global supplier to leading drive manufacturers. Our innovative products are used in the most demanding applications requiring performance, reliability, and energy efficiency.

## Markets



Construction



Mining



Petrochemical



Industrial and Commercial



Microgrids



Power Storage



Renewable Energy



e-Mobility

## Value

The HPS open style control transformers are ideally suited for general purpose, industrial and light duty loads.

Designed for applications where high inrush or machine tool duty are not necessary, the HPS open style control transformer offers an efficient and economical solution.

## Applications



Process Controls



Panel Shops



Machine Automation



Control Boards



HVAC Panels



Power Timers, Solenoids and Controllers

## Industries



Commercial



Agriculture



Automation

## Approvals

- Meets NEMA standards
- CSA Certified
- UL Listed
- CE Marked



## Features and Benefits

- Multi-voltage primary and secondary models increase range of application per unit
- Standard molded terminal blocks or primary and secondary up to 3000 VA (30A) units
- Solid terminal block with standard combination screw connection
- 50/60 Hz (60 Hz on SP\*\*\*ACP and SP\*\*\*AR)
- Copper wound coils with high dielectric strength insulation
- Bolted core construction
- Bolt-on mounting brackets
- Vacuum Impregnated with Polyester Resin and oven cured
- Seismically qualified according to International Building Code (IBC) 2018, and the American Society of Civil Engineers ASCE 7-10 specifications, with the following design parameters:
  - › Spectral acceleration: SDS <= 2.0g
  - › Importance factor: IP = 1.5
  - › Attachment/height ratio: z/h = 1.0"
  - › O.S.H.P.D California Certified
- Superior insulating materials. The HPS open style control transformer offers the following insulation systems:
  - › 130°C (80°C rise) up to 1500 VA
  - › 180°C (115°C rise) 2000 VA to 5000 VA
- All units supplied with primary and secondary voltage links/jumpers
- Optional finger guards available<sup>1</sup>
- Optional fuse block adapter kit available<sup>1</sup>
- Supplied with trilingual installation and wiring instruction sheets
- "Premium Packaging"<sup>1</sup> featuring:
  - › Premium fluted cartons
  - › Custom molded foam inserts
  - › Easy removal and repacking
  - › Industry's best box label
- 15 year warranty
  - › <sup>1</sup> up to and including 3000VA or 30 amps

# SELECTION TABLES

## Open Style Control Transformer



### Group A

PRIMARY VOLTAGE: **600/480**      575/460      550/440  
 SECONDARY VOLTAGE: **120 X 240**      115 X 230      110 X 220      60 HZ

VA Rating	CE VA Rating	Catalog Number	Mtg. Fig.	Output Amps	Overall Dimensions			Mounting Centers		Mounting Slot	Height with Finger Guard	Height with Fuse Block Adapter	Approx. Ship Weight Lbs.
					A	B	C	D	E	G X H			
50	50	SP50ACP	A	0.42/0.21	2.60 [66.04]	3.82 [97.03]	2.60 [66.04]	2.13 [54.11]	2.64 [67.06]	0.22 x 0.44 [5.59 x 11.18]	2.98 [75.70]	2.79 [70.87]	2.2 [1.0]
100	100	SP100ACP	A	0.83/0.42	2.99 [75.95]	3.74 [95.00]	2.85 [72.39]	2.52 [64.01]	2.60 [66.04]	0.22 x 0.44 [5.59 x 11.18]	3.23 [82.05]	3.04 [77.22]	3.3 [1.5]
150	150	SP150ACP	A	1.25/0.63	2.99 [75.95]	4.29 [108.97]	2.85 [72.39]	2.52 [64.01]	3.15 [80.01]	0.22 x 0.44 [5.59 x 11.18]	3.23 [82.05]	3.04 [77.22]	4.4 [2.0]
250	160	SP250ACP	A	2.08/1.04	3.78 [96.02]	4.09 [103.89]	3.40 [86.36]	3.31 [84.08]	2.99 [75.95]	0.22 x 0.44 [5.59 x 11.18]	3.78 [96.02]	3.59 [91.19]	6.4 [2.9]
350	250	SP350ACP	A	2.92/1.46	3.78 [96.02]	4.49 [114.05]	3.40 [86.36]	3.31 [84.08]	3.39 [86.11]	0.22 x 0.44 [5.59 x 11.18]	3.78 [96.02]	3.59 [91.19]	7.5 [3.4]
500	300	SP500ACP	A	4.17/2.08	4.49 [114.05]	4.69 [119.13]	3.78 [96.02]	3.78 [96.02]	3.66 [92.97]	0.31 x 0.81 [7.88 x 20.58]	4.16 [105.67]	3.97 [100.84]	11.0 [5.0]
750	500	SP750ACP	A	6.25/3.13	5.25 [133.35]	5.08 <sup>1</sup> [129.06]	4.37 [111.00]	4.50 [114.30]	4.06 [103.13]	0.31 x 0.81 [7.88 x 20.58]	4.75 [120.65]	4.56 [115.83]	18.0 [8.1]
1000	650	SP1000ACP	A	8.33/4.17	5.25 [133.35]	5.47 <sup>1</sup> [138.97]	4.37 [111.00]	4.50 [114.30]	4.45 [113.03]	0.31 x 0.81 [7.88 x 20.58]	4.75 [120.65]	4.56 [115.83]	21.0 [9.5]
1500	1000	SP1500ACP	A	12.5/6.25	5.25 [133.35]	6.85 <sup>1</sup> [174.02]	4.37 [111.00]	4.50 [114.30]	5.83 [148.09]	0.31 x 0.81 [7.88 x 20.58]	4.56 [115.83]	4.37 [111.00]	28.0 [12.6]
2000	1300	SP2000ACP	A	16.7/8.33	6.38 [162.06]	5.87 <sup>1</sup> [149.13]	5.31 [134.88]	5.75 [146.05]	4.84 [122.94]	0.31 x 0.81 [7.88 x 20.58]	5.69 [144.53]	5.50 [139.70]	34.0 [15.3]
3000	2000	SP3000ACP	A	25.0/12.5	7.50 [190.50]	7.33 [186.18]	6.50 [165.10]	6.30 [160.02]	7.06 [179.32]	0.44 x 1.00 [11.18 x 25.4]	6.50 [165.10]	6.50 [165.10]	60.0 [27.0]
5000	3000	SP5000ACP	C	41.7/20.8	8.98 [228.10]	11.54 [293.00]	7.76 [197.11]	7.40 [187.96]	8.35 [212.00]	0.44 x 1.00 [11.18 x 25.4]	N/A	N/A	93.0 [41.9]

Primary and Secondary voltage links/jumpers supplied standard with all transformers.  
 Please contact your HPS representative for other requests.

<sup>1</sup> Note: For 750 through 2000 VA units actual overall depth is 0.24" plus the value in column B.  
 \* See page 10 for dimensional drawings.

Dimensions in Inches [mm]  
 Weight in [kg]

### Group B

PRIMARY VOLTAGE: **600**      575      550  
 SECONDARY VOLTAGE: **12 X 24**      11.5 X 23      11 X 22      50/60 HZ

VA Rating	CE VA Rating	Catalog Number	Mtg. Fig.	Output Amps	Overall Dimensions			Mounting Centers		Mounting Slot	Height with Finger Guard	Height with Fuse Block Adapter	Approx. Ship Weight Lbs.
					A	B	C	D	E	G X H			
50	50	SP50AR	A	4.17/2.08	2.60 [66.04]	3.23 [82.05]	2.60 [66.04]	2.13 [54.11]	2.05 [52.07]	0.22 x 0.44 [5.59 x 11.18]	2.98 [75.70]	2.79 [70.87]	1.5 [0.7]
100	100	SP100AR	A	8.33/4.17	2.99 [75.95]	3.74 [95.00]	2.85 [72.39]	2.52 [64.01]	2.60 [66.04]	0.22 x 0.44 [5.59 x 11.18]	3.23 [82.05]	3.04 [77.22]	3.3 [1.5]
150	150	SP150AR	A	12.5/6.25	2.99 [75.95]	4.09 [103.89]	2.85 [72.39]	2.52 [64.01]	2.95 [74.93]	0.22 x 0.44 [5.59 x 11.18]	3.23 [82.05]	3.04 [77.22]	3.9 [1.8]
250	160	SP250AR	A	20.8/10.4	3.78 [96.02]	3.70 [93.98]	3.40 [86.36]	3.31 [84.08]	2.60 [66.04]	0.22 x 0.44 [5.59 x 11.18]	3.78 [96.02]	3.59 [91.19]	5.2 [2.4]
350	250	SP350AR	A	29.2/14.6	3.78 [96.02]	4.29 [108.97]	3.40 [86.36]	3.31 [84.08]	3.19 [81.03]	0.22 x 0.44 [5.59 x 11.18]	3.78 [96.02]	3.59 [91.19]	7.1 [3.2]
500	300	SP500AR	B	41.7/20.8	4.49 [114.05]	5.08 [129.04]	3.78 [96.02]	3.78 [96.02]	3.27 [83.06]	0.31 x 0.81 [7.88 x 20.58]	4.16 [105.67]	3.97 [100.84]	9.9 [4.5]

Primary and Secondary voltage links/jumpers supplied standard with all transformers.  
 Please contact your HPS representative for other requests.

\* See page 10 for dimensional drawings.

Dimensions in Inches [mm]  
 Weight in [kg]



Group C

PRIMARY VOLTAGE: **240 X 480**      230 X 460      220 X 440  
 SECONDARY VOLTAGE: **120 X 240**      115 X 230      110 X 220      50/60 HZ

VA Rating	CE VA Rating	Catalog Number	Mtg. Fig.	Output Amps	Overall Dimensions			Mounting Centers		Mounting Slot	Height with Finger Guard	Height with Fuse Block Adapter	Approx. Ship Weight Lbs.
					A	B	C	D	E	G X H			
50	50	SP50MQMJ	A	0.42/0.21	2.60 [66.04]	3.35 [85.09]	2.60 [66.04]	2.13 [54.11]	2.17 [55.12]	0.22 x 0.44 [5.59 x 11.18]	2.98 [75.70]	2.79 [70.87]	1.7 [0.8]
100	100	SP100MQMJ	A	0.83/0.42	2.99 [75.95]	3.74 [95.00]	2.85 [72.39]	2.52 [64.01]	2.60 [66.04]	0.22 x 0.44 [5.59 x 11.18]	3.23 [82.05]	3.04 [77.22]	3.0 [1.4]
150	150	SP150MQMJ	A	1.25/0.63	2.99 [75.95]	4.29 [108.97]	2.85 [72.39]	2.52 [64.01]	3.15 [80.01]	0.22 x 0.44 [5.59 x 11.18]	3.23 [82.05]	3.04 [77.22]	4.3 [2.0]
250	160	SP250MQMJ	A	2.08/1.04	3.78 [96.02]	4.09 [103.89]	3.40 [86.36]	3.31 [84.08]	2.99 [75.95]	0.22 x 0.44 [5.59 x 11.18]	3.78 [96.02]	3.59 [91.19]	6.5 [3.0]
350	250	SP350MQMJ	A	2.92/1.46	3.78 [96.02]	4.69 [119.13]	3.40 [86.36]	3.31 [84.08]	3.58 [90.94]	0.22 x 0.44 [5.59 x 11.18]	3.78 [96.02]	3.59 [91.19]	8.2 [3.7]
500	300	SP500MQMJ	A	4.17/2.08	4.49 [114.05]	4.69 [119.13]	3.78 [96.02]	3.78 [96.02]	3.66 [92.97]	0.31 x 0.81 [7.88 x 20.58]	4.16 [105.67]	3.97 [100.84]	11.0 [5.0]
750	500	SP750MQMJ	A	6.25/3.13	5.25 [133.35]	4.69 [119.16]	4.37 [111.00]	4.50 [114.30]	3.66 [92.97]	0.31 x 0.81 [7.88 x 20.58]	4.75 [120.65]	4.56 [115.83]	16.0 [7.2]
1000	650	SP1000MQMJ	A	8.33/4.17	5.25 [133.35]	5.47 [138.97]	4.37 [111.00]	4.50 [114.30]	4.45 [113.03]	0.31 x 0.81 [7.88 x 20.58]	4.75 [120.65]	4.56 [115.83]	21.0 [9.5]
1500	1000	SP1500MQMJ	A	12.5/6.25	5.25 [133.35]	6.85 <sup>1</sup> [174.02]	4.37 [111.00]	4.50 [114.30]	5.83 [148.09]	0.31 x 0.81 [7.88 x 20.58]	4.75 [120.65]	4.56 [115.83]	28.0 [12.6]
2000	1300	SP2000MQMJ	A	16.7/8.33	6.38 [162.06]	5.87 <sup>1</sup> [149.13]	5.31 [134.88]	5.75 [146.05]	4.84 [122.94]	0.31 x 0.81 [7.88 x 20.58]	5.50 [139.70]	5.31 [134.88]	35.0 [15.8]
3000	2000	SP3000MQMJ	A	25.0/12.5	7.50 [190.50]	7.52 [191.00]	6.50 [165.10]	6.30 [160.02]	7.28 [184.92]	0.44 x 1.00 [11.18 x 25.4]	6.50 [165.10]	6.50 [165.10]	64.0 [28.8]
5000	3000	SP5000MQMJ	C	41.7/20.8	8.98 [228.10]	9.88 [250.96]	7.76 [197.11]	7.40 [187.96]	7.28 [184.92]	0.44 x 1.00 [11.18 x 25.4]	N/A	N/A	97.0 [43.7]

Primary and Secondary voltage links/jumpers supplied standard with all transformers.  
 Please contact your HPS representative for other requests.

<sup>1</sup> Note: For 750 through 2000 VA units actual overall depth is 0.24" plus the value in column B.  
 \* See page 10 for dimensional drawings.

Dimensions in Inches [mm]  
 Weight in [kg]

Group D

PRIMARY VOLTAGE: **240 X 480**      230 X 460      220 X 440  
 SECONDARY VOLTAGE: **12 X 24**      11.5 X 23      11 X 22      50/60 HZ

VA Rating	CE VA Rating	Catalog Number	Mtg. Fig.	Output Amps	Overall Dimensions			Mounting Centers		Mounting Slot	Height with Finger Guard	Height with Fuse Block Adapter	Approx. Ship Weight Lbs.
					A	B	C	D	E	G X H			
50	50	SP50QR	A	4.17/2.08	2.60 [66.04]	3.35 [85.09]	2.60 [66.04]	2.13 [54.11]	2.17 [55.12]	0.22 x 0.44 [5.59 x 11.18]	2.98 [75.70]	2.79 [70.87]	1.7 [0.8]
100	100	SP100QR	A	8.33/4.17	2.99 [75.95]	3.54 [89.92]	2.85 [72.39]	2.52 [64.01]	2.40 [60.96]	0.22 x 0.44 [5.59 x 11.18]	3.23 [82.05]	3.04 [77.22]	3.0 [1.4]
150	150	SP150QR	A	12.5/6.25	2.99 [75.95]	4.29 [108.97]	2.85 [72.39]	2.52 [64.01]	3.15 [80.01]	0.22 x 0.44 [5.59 x 11.18]	3.23 [82.05]	3.04 [77.22]	4.3 [2.0]
250	160	SP250QR	A	20.8/10.4	3.78 [96.02]	4.09 [103.89]	3.40 [86.36]	3.31 [84.08]	2.99 [75.95]	0.22 x 0.44 [5.59 x 11.18]	3.78 [96.02]	3.59 [91.19]	6.5 [3.0]
350	250	SP350QR	A	29.2/14.6	3.78 [96.02]	4.69 [119.13]	3.40 [86.36]	3.31 [84.08]	3.58 [90.94]	0.22 x 0.44 [5.59 x 11.18]	3.78 [96.02]	3.59 [91.19]	8.3 [3.8]
500	300	SP500QR	B	41.7/20.8	4.49 [114.05]	5.47 [138.94]	3.78 [96.02]	3.78 [96.02]	3.66 [92.97]	0.31 x 0.81 [7.88 x 20.58]	4.16 [105.67]	3.97 [100.84]	11.0 [5.0]

Primary and Secondary voltage links/jumpers supplied standard with all transformers.  
 Please contact your HPS representative for other requests.

\* See page 10 for dimensional drawings.

Dimensions in Inches [mm]  
 Weight in [kg]

# SELECTION TABLES

Open Style Control Transformer



## Group E

PRIMARY VOLTAGE: **380/347**

SECONDARY VOLTAGE: **120 X 240**

50/60 HZ

VA Rating	CE VA Rating	Catalog Number	Mtg. Fig.	Output Amps	Overall Dimensions			Mounting Centers		Mounting Slot	Height with Finger Guard	Height with Fuse Block Adapter	Approx. Ship Weight Lbs.
					A	B	C	D	E	G X H			
50	50	SP50KHP	A	0.42/0.21	2.60 [66.04]	3.35 [85.09]	2.60 [66.04]	2.13 [54.11]	2.17 [55.12]	0.22 x 0.44 [5.59 x 11.18]	2.98 [75.70]	2.79 [70.87]	1.7 [0.8]
100	100	SP100KHP	A	0.83/0.42	2.99 [75.95]	3.74 [95.00]	2.85 [72.39]	2.52 [64.01]	2.60 [66.04]	0.22 x 0.44 [5.59 x 11.18]	3.23 [82.05]	3.04 [77.22]	3.4 [1.6]
150	150	SP150KHP	A	1.25/0.63	2.99 [75.95]	4.29 [108.97]	2.85 [72.39]	2.52 [64.01]	3.15 [80.01]	0.22 x 0.44 [5.59 x 11.18]	3.23 [82.05]	3.04 [77.22]	4.4 [2.0]
250	160	SP250KHP	A	2.08/1.04	3.78 [96.02]	4.09 [103.89]	3.40 [86.36]	3.31 [84.08]	2.99 [75.95]	0.22 x 0.44 [5.59 x 11.18]	3.78 [96.02]	3.59 [91.19]	6.7 [3.1]
350	250	SP350KHP	A	2.92/1.46	3.78 [96.02]	4.69 [119.13]	3.40 [86.36]	3.31 [84.08]	3.58 [90.94]	0.22 x 0.44 [5.59 x 11.18]	3.78 [96.02]	3.59 [91.19]	8.4 [3.8]
500	300	SP500KHP	A	4.17/2.08	4.49 [114.05]	4.69 [119.13]	3.78 [96.02]	3.78 [96.02]	3.66 [92.97]	0.31 x 0.81 [7.88 x 20.58]	4.16 [105.67]	3.97 [100.84]	12.0 [5.4]
750	500	SP750KHP	A	6.25/3.13	5.25 [133.35]	4.69 <sup>1</sup> [119.16]	4.37 [111.00]	4.50 [114.30]	3.66 [92.97]	0.31 x 0.81 [7.88 x 20.58]	4.75 [120.65]	4.56 [115.83]	17.0 [7.7]
1000	650	SP1000KHP	A	8.33/4.17	5.25 [133.35]	5.47 [138.97]	4.37 [111.00]	4.50 [114.30]	4.45 [113.03]	0.31 x 0.81 [7.88 x 20.58]	4.75 [120.65]	4.56 [115.83]	21.0 [9.5]
1500	1000	SP1500KHP	A	12.5/6.25	6.38 [162.06]	4.88 <sup>1</sup> [123.98]	5.31 [134.88]	5.75 [146.05]	3.86 [98.05]	0.31 x 0.81 [7.88 x 20.58]	5.50 [139.70]	5.31 [134.88]	29.0 [13.1]

Primary and Secondary voltage links/jumpers supplied standard with all transformers.  
Please contact your HPS representative for other requests.

Dimensions in Inches [mm]  
Weight in [kg]

<sup>1</sup> Note: For 750 through 1500 VA units actual overall depth is 0.24" plus the value in column B.

\* See page 10 for dimensional drawings.

## Group F

PRIMARY VOLTAGE: **380/347**

SECONDARY VOLTAGE: **12 X 24**

50/60 HZ

VA Rating	CE VA Rating	Catalog Number	Mtg. Fig.	Output Amps	Overall Dimensions			Mounting Centers		Mounting Slot	Height with Finger Guard	Height with Fuse Block Adapter	Approx. Ship Weight Lbs.
					A	B	C	D	E	G X H			
50	50	SP50KHR	A	4.17/2.08	2.60 [66.04]	3.35 [85.09]	2.60 [66.04]	2.13 [54.11]	2.17 [55.12]	0.22 x 0.44 [5.59 x 11.18]	2.98 [75.70]	2.79 [70.87]	1.7 [0.8]
100	100	SP100KHR	A	8.33/4.17	2.99 [75.95]	3.74 [95.00]	2.85 [72.39]	2.52 [64.01]	2.60 [66.04]	0.22 x 0.44 [5.59 x 11.18]	3.23 [82.05]	3.04 [77.22]	3.3 [1.5]
150	150	SP150KHR	A	12.5/6.25	2.99 [75.95]	4.29 [108.97]	2.85 [72.39]	2.52 [64.01]	3.15 [80.01]	0.22 x 0.44 [5.59 x 11.18]	3.23 [82.05]	3.04 [77.22]	4.4 [2.0]
250	160	SP250KHR	A	20.8/10.4	3.78 [96.02]	4.09 [103.89]	3.40 [86.36]	3.31 [84.08]	2.99 [75.95]	0.22 x 0.44 [5.59 x 11.18]	3.78 [96.02]	3.59 [91.19]	6.4 [2.9]
350	250	SP350KHR	A	29.2/14.6	3.78 [96.02]	4.69 [119.13]	3.40 [86.36]	3.31 [84.08]	3.58 [90.94]	0.22 x 0.44 [5.59 x 11.18]	3.78 [96.02]	3.59 [91.19]	8.1 [3.7]
500	300	SP500KHR	B	41.7/20.8	4.49 [114.05]	5.47 [138.94]	3.78 [96.02]	3.78 [96.02]	3.66 [92.97]	0.31 x 0.81 [7.88 x 20.58]	4.16 [105.67]	3.97 [100.84]	11.0 [5.0]

Primary and Secondary voltage links/jumpers supplied standard with all transformers.  
Please contact your HPS representative for other requests.

Dimensions in Inches [mm]  
Weight in [kg]

\* See page 10 for dimensional drawings.

# SELECTION TABLES

## Open Style Control Transformer



### Group G

PRIMARY VOLTAGE: **277**  
 SECONDARY VOLTAGE: **120**

50/60 HZ

VA Rating	CE VA Rating	Catalog Number	Mtg. Fig.	Output Amps	Overall Dimensions			Mounting Centers		Mounting Slot	Height with Finger Guard	Height with Fuse Block Adapter	Approx. Ship Weight Lbs.
					A	B	C	D	E	G X H			
50	50	SP50NJ	A	0.42/0.21	2.60 [66.04]	3.35 [85.09]	2.60 [66.04]	2.13 [54.11]	2.17 [55.12]	0.22 x 0.44 [5.59 x 11.18]	2.98 [75.70]	2.79 [70.87]	1.6 [0.8]
100	100	SP100NJ	A	0.83/0.42	2.99 [75.95]	3.54 [89.92]	2.85 [72.39]	2.52 [64.01]	2.40 [60.96]	0.22 x 0.44 [5.59 x 11.18]	3.23 [82.05]	3.04 [77.22]	3.2 [1.5]
150	150	SP150NJ	A	1.25/0.63	2.99 [75.95]	4.29 [108.97]	2.85 [72.39]	2.52 [64.01]	3.15 [80.01]	0.22 x 0.44 [5.59 x 11.18]	3.23 [82.05]	3.04 [77.22]	4.3 [2.0]
250	160	SP250NJ	A	2.08/1.04	3.78 [96.02]	4.09 [103.89]	3.40 [86.36]	3.31 [84.08]	2.99 [75.95]	0.22 x 0.44 [5.59 x 11.18]	3.78 [96.02]	3.59 [91.19]	6.4 [2.9]
350	250	SP350NJ	A	2.92/1.46	3.78 [96.02]	4.69 [119.13]	3.40 [86.36]	3.31 [84.08]	3.58 [90.94]	0.22 x 0.44 [5.59 x 11.18]	3.78 [96.02]	3.59 [91.19]	8.1 [3.7]
500	300	SP500NJ	A	4.17/2.08	4.49 [114.05]	4.69 [119.13]	3.78 [96.02]	3.78 [96.02]	3.66 [92.97]	0.31 x 0.81 [7.88 x 20.58]	4.16 [105.67]	3.97 [100.84]	11.0 [5.0]
750	500	SP750NJ	A	6.25/3.13	5.25 [133.35]	5.08 <sup>1</sup> [129.06]	4.37 [111.00]	4.50 [114.30]	4.06 [103.13]	0.31 x 0.81 [7.88 x 20.58]	4.75 [120.65]	4.56 [115.83]	18.0 [8.1]
1000	650	SP1000NJ	A	8.33/4.17	5.25 [133.35]	5.47 <sup>1</sup> [138.97]	4.37 [111.00]	4.50 [114.30]	4.45 [113.03]	0.31 x 0.81 [7.88 x 20.58]	4.75 [120.65]	4.56 [115.83]	20.0 [9.0]
1500	1000	SP1500NJ	A	12.5/6.25	5.25 [133.35]	6.85 <sup>1</sup> [174.02]	4.37 [111.00]	4.50 [114.30]	5.83 [148.09]	0.31 x 0.81 [7.88 x 20.58]	4.75 [120.65]	4.56 [115.83]	29.0 [13.1]

Primary and Secondary voltage links/jumpers supplied standard with all transformers.  
 Please contact your HPS representative for other requests.

Dimensions in Inches [mm]  
 Weight in [kg]

<sup>1</sup> Note: For 750 through 1500 VA units actual overall depth is 0.24" plus the value in column B.

\* See page 10 for dimensional drawings.

### Group H

PRIMARY VOLTAGE: **120X240**      **115X230**      **110X220**  
 SECONDARY VOLTAGE: **12 X 24**      **11.5X12**      **11X22**

50/60 HZ

VA Rating	CE VA Rating	Catalog Number	Mtg. Fig.	Output Amps	Overall Dimensions			Mounting Centers		Mounting Slot	Height with Finger Guard	Height with Fuse Block Adapter	Approx. Ship Weight Lbs.
					A	B	C	D	E	G X H			
50	50	SP50PR	A	4.17/2.08	2.60 [66.04]	3.35 [85.09]	2.60 [66.04]	2.13 [54.11]	2.17 [55.12]	0.22 x 0.44 [5.59 x 11.18]	2.98 [75.70]	2.79 [70.87]	1.7 [0.8]
100	100	SP100PR	A	8.33/4.17	2.99 [75.95]	3.74 [95.00]	2.85 [72.39]	2.52 [64.01]	2.60 [66.04]	0.22 x 0.44 [5.59 x 11.18]	3.23 [82.05]	3.04 [77.22]	3.0 [1.4]
150	150	SP150PR	A	12.5/6.25	2.99 [75.95]	4.29 [108.97]	2.85 [72.39]	2.52 [64.01]	3.15 [80.01]	0.22 x 0.44 [5.59 x 11.18]	3.23 [82.05]	3.04 [77.22]	4.3 [2.0]
250	160	SP250PR	A	20.8/10.4	3.78 [96.02]	3.90 [99.06]	3.40 [86.36]	3.31 [84.08]	2.80 [71.12]	0.22 x 0.44 [5.59 x 11.18]	3.78 [96.02]	3.59 [91.19]	5.9 [2.7]
350	250	SP350PR	A	29.2/14.6	3.78 [96.02]	4.69 [119.13]	3.40 [86.36]	3.31 [84.08]	3.58 [90.94]	0.22 x 0.44 [5.59 x 11.18]	3.78 [96.02]	3.59 [91.19]	8.2 [3.7]
500	300	SP500PR	B	41.7/20.8	4.49 [114.05]	5.47 [138.94]	3.78 [96.02]	3.78 [96.02]	3.66 [92.97]	0.31 x 0.81 [7.88 x 20.58]	4.16 [105.67]	3.97 [100.84]	11.0 [5.0]

Primary and Secondary voltage links/jumpers supplied standard with all transformers.  
 Please contact your HPS representative for other requests.

Dimensions in Inches [mm]  
 Weight in [kg]

\* See page 10 for dimensional drawings.

# SELECTION TABLES

Industrial Open Core & Coil Control Transformer



## Group I

PRIMARY VOLTAGE: **208X416**      200X400      190X380  
 SECONDARY VOLTAGE: **120X240**      115X230      110X220      50/60 HZ

VA Rating	CE VA Rating	Catalog Number	Mtg. Fig.	Output Amps	Overall Dimensions			Mounting Centers		Mounting Slot	Height with Finger Guard	Height with Fuse Block Adapter	Approx. Ship Weight Lbs.
					A	B	C	D	E	G X H			
50	50	SP50SP	A	0.42/0.21	2.60 [66.04]	3.35 [85.09]	2.60 [66.04]	2.13 [54.11]	2.17 [55.12]	0.22 x 0.44 [5.59 x 11.18]	2.98 [75.70]	2.60 [66.04]	1.6 [0.8]
100	100	SP100SP	A	0.83/0.42	2.99 [75.95]	3.54 [89.92]	2.85 [72.39]	2.52 [64.01]	2.40 [60.96]	0.22 x 0.44 [5.59 x 11.18]	3.23 [82.05]	2.85 [72.39]	3.0 [1.4]
150	150	SP150SP	A	1.25/0.63	2.99 [75.95]	4.29 [108.97]	2.85 [72.39]	2.52 [64.01]	3.15 [80.01]	0.22 x 0.44 [5.59 x 11.18]	3.23 [82.05]	2.85 [72.39]	4.3 [2.0]
250	160	SP250SP	A	2.08/1.04	3.78 [96.02]	4.09 [103.89]	3.40 [86.36]	3.31 [84.08]	2.99 [75.95]	0.22 x 0.44 [5.59 x 11.18]	3.78 [96.02]	3.40 [86.36]	6.5 [3.0]
350	250	SP350SP	A	2.92/1.46	3.78 [96.02]	4.69 [119.13]	3.40 [86.36]	3.31 [84.08]	3.58 [90.94]	0.22 x 0.44 [5.59 x 11.18]	3.78 [96.02]	3.40 [86.36]	8.3 [3.8]
500	300	SP500SP	A	4.17/2.08	4.49 [114.05]	4.69 [119.13]	3.78 [96.02]	3.78 [96.02]	3.66 [92.97]	0.31 x 0.81 [7.88 x 20.58]	4.16 [105.67]	3.78 [96.02]	11.0 [5.0]
750	500	SP750SP	A	6.25/3.13	5.25 [133.35]	4.69 <sup>1</sup> [119.16]	4.37 [111.00]	4.50 [114.30]	3.66 [92.97]	0.31 x 0.81 [7.88 x 20.58]	4.75 [120.65]	4.75 [120.65]	16.0 [7.2]
1000	650	SP1000SP	A	8.33/4.17	5.25 [133.35]	5.47 <sup>1</sup> [138.97]	4.37 [111.00]	4.50 [114.30]	4.45 [113.03]	0.31 x 0.81 [7.88 x 20.58]	4.75 [120.65]	4.75 [120.65]	20.0 [9.0]
1500	1000	SP1500SP	A	12.5/6.25	6.38 [162.06]	4.88 <sup>1</sup> [123.98]	5.31 [134.88]	5.75 [146.05]	3.86 [98.05]	0.31 x 0.81 [7.88 x 20.58]	4.75 [120.65]	5.69 [144.53]	27.0 [12.2]

Primary and Secondary voltage links/jumpers supplied standard with all transformers.  
 Please contact your HPS representative for other requests.

<sup>1</sup> Note: For 750 through 1500 VA units actual overall depth is 0.24" plus the value in column B.

\* See page 10 for dimensional drawings.

Dimensions in Inches [mm]  
 Weight in [kg]

## Group J

PRIMARY VOLTAGE: **208X416**      200X400      190X380  
 SECONDARY VOLTAGE: **12X24**      11.5X23      11X22      50/60 HZ

VA Rating	CE VA Rating	Catalog Number	Mtg. Fig.	Output Amps	Overall Dimensions			Mounting Centers		Mounting Slot	Height with Finger Guard	Height with Fuse Block Adapter	Approx. Ship Weight Lbs.
					A	B	C	D	E	G X H			
50	50	SP50SR	A	4.17/2.08	2.60 [66.04]	3.35 [85.09]	2.60 [66.04]	2.13 [54.11]	2.17 [55.12]	0.22 x 0.44 [5.59 x 11.18]	2.98 [75.70]	2.79 [70.87]	1.6 [0.8]
100	100	SP100SR	A	8.33/4.17	2.99 [75.95]	3.54 [89.92]	2.85 [72.39]	2.52 [64.01]	2.40 [60.96]	0.22 x 0.44 [5.59 x 11.18]	3.23 [82.05]	3.04 [77.22]	3.1 [1.4]
150	150	SP150SR	A	12.5/6.25	2.99 [75.95]	4.29 [108.97]	2.85 [72.39]	2.52 [64.01]	3.15 [80.01]	0.22 x 0.44 [5.59 x 11.18]	3.23 [82.05]	3.04 [77.22]	4.3 [2.0]
250	160	SP250SR	A	20.8/10.4	3.78 [96.02]	4.09 [103.89]	3.40 [86.36]	3.31 [84.08]	2.99 [75.95]	0.22 x 0.44 [5.59 x 11.18]	3.78 [96.02]	3.59 [91.19]	6.5 [3.0]
350	250	SP350SR	A	29.2/14.6	3.78 [96.02]	4.69 [119.13]	3.40 [86.36]	3.31 [84.08]	3.58 [90.94]	0.22 x 0.44 [5.59 x 11.18]	3.78 [96.02]	3.59 [91.19]	8.3 [3.8]
500	300	SP500SR	B	41.7/20.8	4.49 [114.05]	5.47 [138.94]	3.78 [96.02]	3.78 [96.02]	3.66 [92.97]	0.31 x 0.81 [7.88 x 20.58]	4.16 [105.67]	3.97 [100.84]	11.0 [5.0]

Primary and Secondary voltage links/jumpers supplied standard with all transformers.  
 Please contact your HPS representative for other requests.

\* See page 10 for dimensional drawings.

Dimensions in Inches [mm]  
 Weight in [kg]

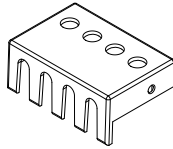
# OPTIONAL ACCESSORIES

## Finger Guards

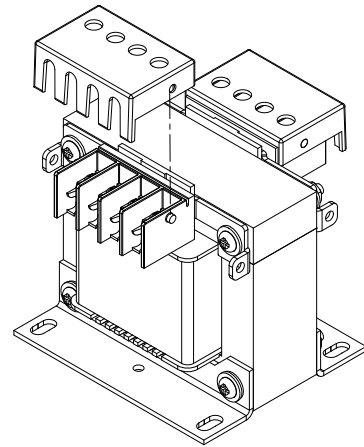
HPS open style control transformers up to and including 3000VA or 30 amps are available with optional finger guards.

Part Number	Applicable Transformer Part Number Suffix's	Applicable VA Sizes
SPFG1	AR, QR, PR, KHR, SR	50 to 350
SPFG1	KHP, SP, NJ	50 to 1500
SPFG1	ACP, MQMJ	50 to 3000

*Note: Each finger guard supplies either the primary or secondary side. Finger guard option not available on SP5000ACP and SP5000MQMJ standard units. Add 0.38" per finger guard to overall depth (column B) on units from 50 VA to 500 VA and 0.31" to units from 750 VA to 2000 VA when finger guard has been installed.*



**Finger Guard**  
(Optional)



**Sample Assembly Drawing for Optional Finger Guard Installation**

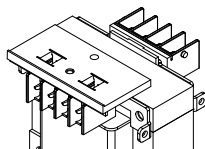
(Only available for units supplied with either a primary or secondary molded terminal block)

## Fuse Block Adapter Kit

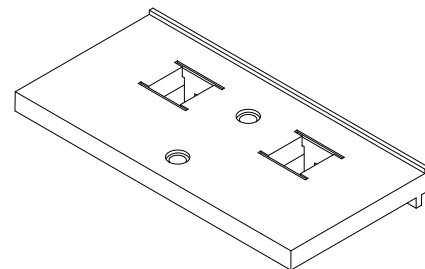
HPS open style control transformers up to and including 3000VA or 30 amps are available with optional fuse block adapter kits. The Fuse Block Adapter Kit is designed to allow for the installation of any third party after market fuse block assembly onto the industrial control transformer. The transformer must be a unit that incorporates a molded terminal block on either the primary or secondary side.

**Note: HPS does not provide any jumpers or appropriate fuses for any after market fuse block you install on the HPS open style control transformer. The HPS Fuse Block Adapter Kit provides only the mechanical means of attaching a third party after market fuse block. HPS does not recommend any specific fuse block or fuse supplier. For a recommended size of fuse please refer to the HPS Transformer Products catalog.**

Kit Part Number	Applicable Transformer Part Number Suffix's	Applicable VA Sizes
SPFBAK1	AR, QR, PR, KHR, SR	50 to 500
SPFBAK1	KHP, SP, NJ	50 to 1500
SPFBAK1	ACP, MQMJ	50 to 3000



**Fuse Block Adapter Kit**  
(Optional)



**Sample Assembly Drawing for Optional Fuse Block Adapter Installation**

For detailed installation instructions of HPS open style control transformers or the optional finger guards and fuse block adapter kits, please visit our website.

## DIMENSIONAL DRAWINGS

Some actual transformer units may differ from dimensional drawings shown below.

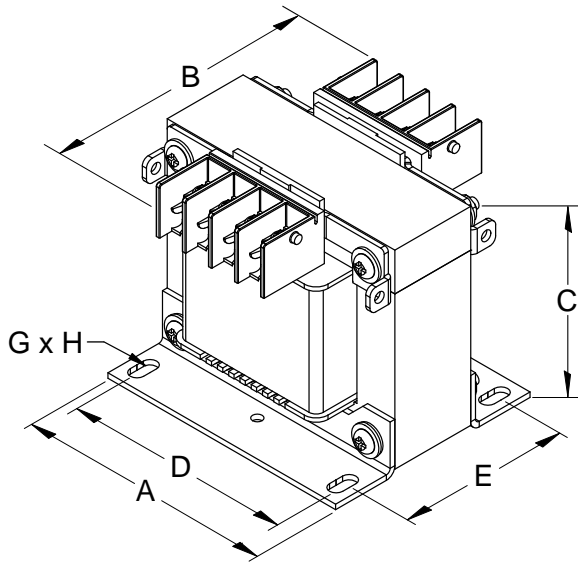


FIGURE A

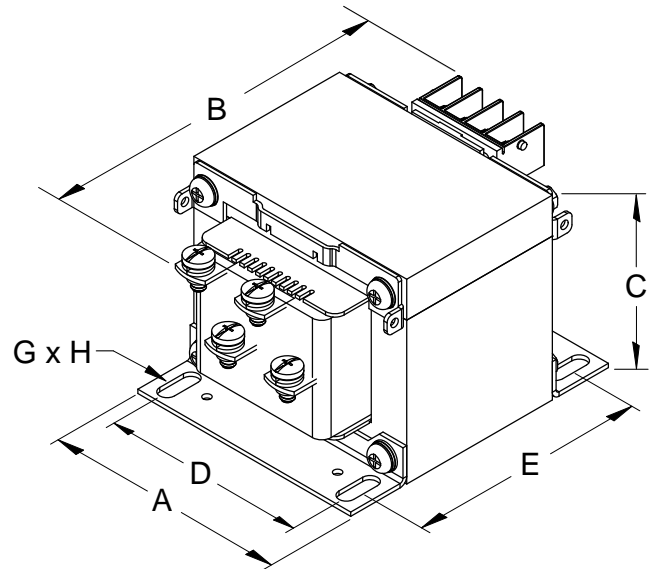


FIGURE B

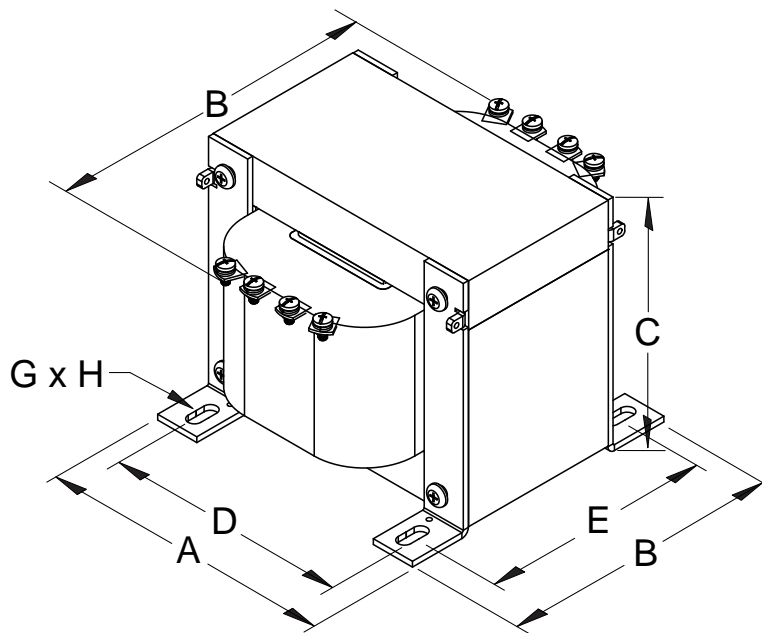


FIGURE C

# OTHER HPS CONTROL & AUTOMATION PRODUCTS

## Control Transformers



Molded Style Control Transformers



General Purpose Enclosed Control Transformer



Encapsulated Control Transformers

## Drive Isolation Transformers



Energy Efficient Drive Isolation Transformer



Drive Isolation Transformer

## Reactors & Filters



Active Harmonic Filter



Passive Harmonic Filter



Reactor



dV/dt Filters



## CANADA

### Hammond Power Solutions

595 Southgate Drive  
Guelph, Ontario N1G 3W6  
Tel: (519) 822-2441 | Fax: (519) 822-9701  
Toll Free: 1-888-798-8882

[sales@hammondpowersolutions.com](mailto:sales@hammondpowersolutions.com)



## UNITED STATES

### Hammond Power Solutions

1100 Lake Street  
Baraboo, Wisconsin 53913-2866  
Tel: (608) 356-3921 | Fax: (608) 355-7623  
Toll Free: 1-866-705-4684

[sales@hammondpowersolutions.com](mailto:sales@hammondpowersolutions.com)



## MEXICO

### Hammond Power Solutions Latin America S.

Av. No. 800,  
Parque Industrial Guadalupe  
Guadalupe, NL, Mexico, C.P. 67190.  
Tel: (819) 690-8000

[sales@hammondpowersolutions.com](mailto:sales@hammondpowersolutions.com)



## ASIA

### Hammond Power Solutions Pvt. Ltd.

Plot No 6A, Phase -1, IDA,  
Pashamylaram, Patancheru (M)  
Sangareddy, 502 307, India  
Tel: +91-994-995-0009

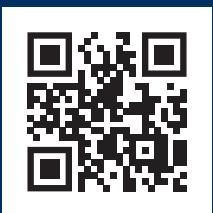
[marketing-india@hammondpowersolutions.com](mailto:marketing-india@hammondpowersolutions.com)

## EMEA (SALES OFFICE)

### Hammond Power Solutions SpA

Tel: +49 (152) 08800468

[sales-emea@hammondpowersolutions.com](mailto:sales-emea@hammondpowersolutions.com)



[hammondpowersolutions.com](http://hammondpowersolutions.com)



SPARSP-BBH2-EN  
February 2025

Distributed by Gross Automation | +1 (262) 252-1600 | [sales@grossautomation.com](mailto:sales@grossautomation.com)