

hammond
POWER SOLUTIONS



HPS TRIBUNE™ E

Energy Efficient
Drive Isolation Transformers



hammondpowersolutions.com

energizing our world

Distributed by Gross Automation | +1 (262) 252-1600 | sales@grossautomation.com

TABLE OF CONTENTS

HPS NRCan Compliant Products	3	Enclosure Dimensional Drawings	15
Features & Benefits	4	Enclosure Mounting Kits	17
Specifications & Accessories	5	Enclosure Wall & Ceiling Mounting Dimensions	18
Part Number Guide	6	Anti-Vibration Pads & Vibration Isolator Kits	19
Support & Resources	6	Enclosure Spare Parts	20
Selection Tables - HPS Tribune E	7	Electrical Schematics & Connection Drawings	21
Typical Impedance & Inrush Current Rating	14		

This catalog contains product information for NRCan 2019 compliant energy efficient drive isolation transformers.

HPS Drive Isolation Transformers are designed to meet the rugged demands of both AC and DC variable speed drives and also to provide the required voltage change. HPS offers three lines of drive isolation transformers compliant to different levels of efficiency.

New Energy Efficient Levels

The new energy efficiency levels for drive isolation transformers:

Three Phase	
kVA	Efficiency (%)
20	98.00%
27	98.16%
34	98.28%
40	98.34%
51	98.44%
63	98.52%
75	98.60%
93	98.67%
118	98.75%
145	98.82%
175	98.87%
220	98.93%
275	98.99%
330	99.04%
440	99.10%
550	99.16%
660	99.20%

Note: All efficiency values are at 35% of nominal load.

NRCan 2019 Compliant HPS Drive Isolation Transformers

The NRCan 2019 product lines have been redesigned based on extensive customer input using industry leading technologies and materials to meet your most demanding applications.

High Efficiency Drive Isolation Transformer - HPS Tribune E:
HPS new line of drive isolation NRCan 2019 compliant efficient drive isolation transformers

HPS offers an additional line Drive Isolation Transformers:

Standard Non-Energy Efficient Drive Isolation Transformer - HPS DM Series



Benefits

- HPS Tribune E product lines meet the latest energy efficiency standards outlined by NRCan offering significant energy savings to our customers and positive societal/environmental benefits.
- Standard Type 3R enclosure suitable for indoor or outdoor applications.
- For our customers, higher efficiency translates into:
 - › Increased profitability due to lower operating costs
 - › Decreased cost of ownership over the lifetime of the transformer
 - › Less air conditioning cost due to lower heat emissions
- Standard 10kV BIL rating provides increased reliability and protection against critical equipment failure (including voltage spikes and other line transients).
- Standard integral floor and wall mounting brackets up to 45kVA allow for faster installation.
- All units utilize a uniform 220°C insulation system with a 80°C, 115°C, or 150°C temperature rise.
- Industry leading design solutions, technology and materials continue the legacy of quality and reliability in all HPS products.



Features

Core & Coil Construction:

- Manufactured from quality non-aging, cold rolled, silicon steel laminations using state-of-the-art equipment.
- Cores are precision cut to close tolerances which eliminates burrs and improves performance.
- Core is coated to prevent the ingress of moisture.
- Precision wound with copper or aluminum conductors that are electrically balanced to minimize axial forces during short-circuit conditions.
- Robust interface between core & coils for better short circuit performance.

Conductor material: Copper or Aluminum

Temperature rise: 150°C typical (low rise options avail.)

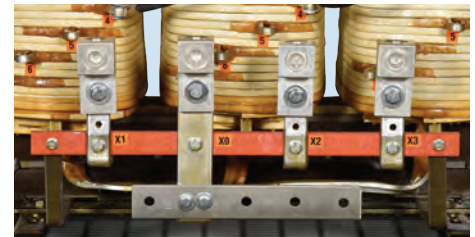
Insulation system: 220°C products.



Standard type 3R enclosure on all low voltage HPS transformers



Integrated wall mounting brackets for added convenience at no extra cost



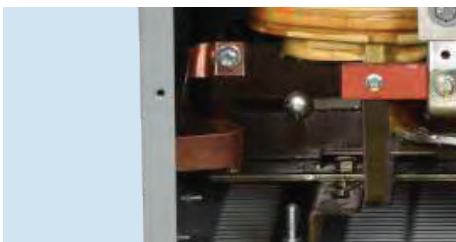
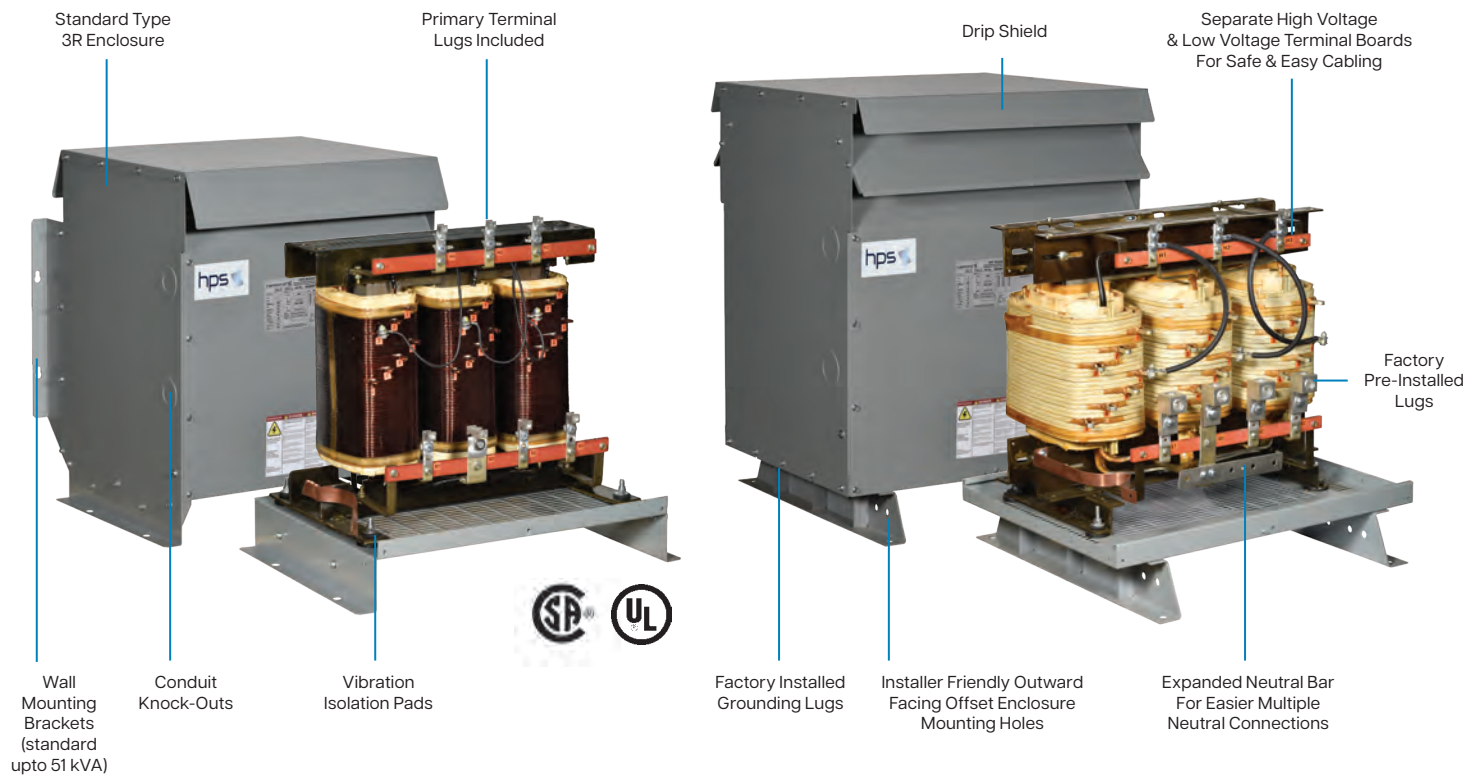
Expanded neutral bar for multiple customer connections

Installation made fast & easy!

Tired of spending extra money on labor and material to install optional transformer features? Purchasing an HPS Tribune E will save you all these additional costs. HPS Tribune E has these optional features pre-installed as part of our standard product line.

Testing

All HPS transformers are tested at HPS prior to shipment. They must meet very stringent quality criteria prior to release.



Factory installed main grounding lugs



Bottom cable entry area (where applicable)



Offset outward facing floor installation holes for easy power tool access

Specifications & Accessories - Copper or Aluminum



20 to 51 kVA



63 to 51 kVA



220 to 660 kVA

Standard Specifications

kVA:	20-660kVA
UL Listed:	File: E112313
CSA Certified	File: LR3902
Frequency:	60 Hz (optional 50/60 Hz available)
Insulation System:	220°C (150°C rise) (optional 115°C & 80°C rise available)
BIL Rating:	10 kV (on all 3PH low voltage products)
K-Rating:	kVA sizing allows motor efficiency and 6 Pulse Drive Harmonics (K=13).
Enclosure Type:	Heavy duty ventilated Type 3R standard (optional Type 4, 4X (stainless steel) & 12)
Enclosure Finish:	ANSI 61 Grey, UL50
Neutral"	Neutral terminal for field connection (on applicable units)
Standard Primary Taps:	Refer to wiring diagrams for details
Termination:	Front accessible separate high and low voltage terminals; connectors suitable for aluminum and copper are provided for easy cable installation.
Conduit Entry:	Side knock-outs standard on all units; Bottom entry provision (exceptions apply)
Impedance:	Typically 1.8% to 7.5%
Mounting:	Floor or wall/ceiling mounting available. Refer to selection tables for details.
Seismic	Seismically qualified according to the International Building Code (IBC) 2018, and the American Society of Civil Engineers ASCE 7-16 specifications, with the following design parameters: Spectral acceleration: $S_{DS} \leq 2.0$ g Importance factor: $I_p = 1.5$ Attachment/Height ratio: $z/h = 1.0$ (up to and including DH4 enclosure). Attachment/Height ratio: $z/h = 0$ (for all other enclosures). O.S.H.P.D (optional). Please contact HPS for more information on seismic compliances.
Sound Level:	Meets NEMA ST-20 standards (optional low noise units available)
Thermostat:	Standard on all units (200°C N.C thermostats on each coil)
Electrostatic Shield:	Standard on all units
Warranty:	10 years

Optional Accessories:

- Thermal indication (RTD)
- Thermometers (analog/digital)
- Strip heater (space heater to prevent condensation)
- Surge protection devices
- Type 3R or 4X available in stainless steel
- Type 3R enhanced with baffling for horizontal blowing rain and snow
- Grounding Kit (on selected models)
- Rodent Kit (on selected models)

HPS Tribune Part Number Guide

Example

Family	Appl. Type	Generation	Phase	kVA			Pri. Volt.	Sec. Volt.	Winding Material/ Electrostatic Shield	Temp. Rise & Insul. Class	Enclosure	Sound Level	Special Duty
T	E	3	A	0	0	4	5	B	C	U	H	C	0

Family	kVA	Winding Material/Electrostatic Shield/ Thermostat:	Sound Level
T - Tribune	kVA Rating 20 - 660kVA* Available up to 990kVA	U - AL + Shield + Thermostat* (default) M - CU + Shield + Thermostat	0 = Standard* (Default) 3 = -3 dB 5 = -5 dB 8 = -8 dB
Type	20kVA 0020 27kVA 0027 34kVA 0034 40kVA 0040 51kVA 0051 63kVA 0063 75kVA 0075 93kVA 0093 118kVA 0118 145kVA 0145 175kVA 0175 220kVA 0220 275kVA 0275 330kVA 0330 440kVA 0440 550kVA 0550 660kVA 0660 770kVA 0770 880kVA 0880 990kVA 0990	Temperature Rise (220°C Insulation Class standard for all drive isolation offers): B - 80°C F - 115°C G - 130°C H - 150°C* (default)	Special Duty None = Default D = Land Drilling M = Marine Duty
Generation	3 - 2018 NRCAN Efficiency	Enclosure: C - Type 3R* (default) G - Type 4X (316SS) ¹ D - Type 3RE H - Type 12 ¹ E - Type 3RX X - None (Core & Coil) F - Type 4 ¹	
Phase (Pri-Sec) ¹	A - 3PH Delta-Wye-N		

Note: kVA sizing allows motor efficiency and 6 Pulse Drive Harmonics (K-13).
¹ Outside of NRCAN scope - non-energy efficient product provided unless otherwise specified
 * Standard Catalogue Offerings
 Default Options - ignore if all following characters are Default values

Support & Resources

No other transformer company can offer our service and quality in a full range of products.



Current Calculator

Calculate the Amps, Volts, or kVA of a transformer. Visit the "Online Tools" area of the HPS website.



Live Telephone Technical Support

Our inside sales team is available to quickly answer your questions. They are technically trained and able to answer most questions right over the phone.



Fast On-Site Response

On-site technicians are available to assist with any technical problems or issues that cannot be resolved over the phone.



Easy-To-Access Installation Manuals

All transformer installation manuals are conveniently located on our website so you can access them anywhere, anytime.

SELECTION TABLES

HPS TRIBUNE E

Aluminum Wound, Three Phase



460 DELTA PRIMARY VOLTS

230Y/133 SECONDARY VOLTS

60 HZ

kVA	Catalog Number	Case Style	Approx. Dimensions - Inches [mm]			Approx. Weight Lbs [kg]	Mtg Type W - Wall F - Floor	Wiring Diagram
			Width	Depth	Height			
20	TE3A0020JC	DH1	21.50 [546.10]	20.10 [510.54]	22.00 [558.80]	220 [99]	F or W*	SCD 9
27	TE3A0027JC	DH2	25.80 [655.32]	23.80 [604.52]	28.80 [731.52]	280 [126]	F or W*	SCD 9
34	TE3A0034JC	DH2	25.80 [655.32]	23.80 [604.52]	28.80 [731.52]	340 [153]	F or W*	SCD 9
40	TE3A0040JC	DH2	25.80 [655.32]	23.80 [604.52]	28.80 [731.52]	360 [162]	F or W*	SCD 9
51	TE3A0051JC	DH2	25.80 [655.32]	23.80 [604.52]	28.80 [731.52]	400 [180]	F or W*	SCD 9
63	TE3A0063JC	DH3	28.30 [718.82]	27.00 [685.80]	36.00 [914.40]	420 [189]	F (Opt W)	SCD 9
75	TE3A0075JC	DH3	28.30 [718.82]	27.00 [685.80]	36.00 [914.40]	580 [261]	F (Opt W)	SCD 9
93	TE3A0093JC	DH3	28.30 [718.82]	27.00 [685.80]	36.00 [914.40]	615 [277]	F (Opt W)	SCD 9
118	TE3A0118JC	DH3	28.30 [718.82]	27.00 [685.80]	36.00 [914.40]	730 [329]	F (Opt W)	SCD 9
145	TE3A0145JC	DH4	31.50 [800.10]	29.50 [749.30]	44.50 [1130.30]	900 [405]	F	SCD 9
175	TE3A0175JC	DH4	31.50 [800.10]	29.50 [749.30]	44.50 [1130.30]	1000 [450]	F	SCD 9
220	TE3A0220JC	DH5	37.50 [952.50]	34.00 [863.60]	52.00 [1320.80]	1450 [650]	F	SCD 9
275	TE3A0275JC	DH5	37.50 [952.50]	34.00 [863.60]	52.00 [1320.80]	1600 [720]	F	SCD 9
330	TE3A0330JC	DH5	37.50 [952.50]	34.00 [863.60]	52.00 [1320.80]	2000 [900]	F	SCD 9
440	TE3A0440JC	DH6	49.00 [1244.60]	41.50 [1054.10]	64.00 [1625.60]	2600 [1170]	F	SCD 10
550	TE3A0550JC	DH6	49.00 [1244.60]	41.50 [1054.10]	64.00 [1625.60]	2850 [1280]	F	SCD 10
660	TE3A0660JC	DH7	54.00 [1371.60]	46.50 [1181.10]	72.00 [1828.80]	3700 [1670]	F	SCD 10

W/C: Built-in Wall Ceiling Mounting, Opt W/C: Wall Ceiling Mounting Kit "DW3" Available

460 DELTA PRIMARY VOLTS

460Y/266 SECONDARY VOLTS

60 HZ

kVA	Catalog Number	Case Style	Approx. Dimensions - Inches [mm]			Approx. Weight Lbs [kg]	Mtg Type W - Wall F - Floor	Wiring Diagram
			Width	Depth	Height			
20	TE3A0020JJ	DH1	21.50 [546.10]	20.10 [510.54]	22.00 [558.80]	220 [99]	F or W*	SCD 9
27	TE3A0027JJ	DH2	25.80 [655.32]	23.80 [604.52]	28.80 [731.52]	280 [126]	F or W*	SCD 9
34	TE3A0034JJ	DH2	25.80 [655.32]	23.80 [604.52]	28.80 [731.52]	340 [153]	F or W*	SCD 9
40	TE3A0040JJ	DH2	25.80 [655.32]	23.80 [604.52]	28.80 [731.52]	360 [162]	F or W*	SCD 9
51	TE3A0051JJ	DH2	25.80 [655.32]	23.80 [604.52]	28.80 [731.52]	400 [180]	F or W*	SCD 9
63	TE3A0063JJ	DH3	28.30 [718.82]	27.00 [685.80]	36.00 [914.40]	420 [189]	F (Opt W)	SCD 9
75	TE3A0075JJ	DH3	28.30 [718.82]	27.00 [685.80]	36.00 [914.40]	580 [261]	F (Opt W)	SCD 9
93	TE3A0093JJ	DH3	28.30 [718.82]	27.00 [685.80]	36.00 [914.40]	615 [277]	F (Opt W)	SCD 9
118	TE3A0118JJ	DH3	28.30 [718.82]	27.00 [685.80]	36.00 [914.40]	730 [329]	F (Opt W)	SCD 9
145	TE3A0145JJ	DH4	31.50 [800.10]	29.50 [749.30]	44.50 [1130.30]	900 [405]	F	SCD 9
175	TE3A0175JJ	DH4	31.50 [800.10]	29.50 [749.30]	44.50 [1130.30]	1000 [450]	F	SCD 9
220	TE3A0220JJ	DH5	37.50 [952.50]	34.00 [863.60]	52.00 [1320.80]	1450 [650]	F	SCD 9
275	TE3A0275JJ	DH5	37.50 [952.50]	34.00 [863.60]	52.00 [1320.80]	1600 [720]	F	SCD 9
330	TE3A0330JJ	DH5	37.50 [952.50]	34.00 [863.60]	52.00 [1320.80]	2000 [900]	F	SCD 9
440	TE3A0440JJ	DH6	49.00 [1244.60]	41.50 [1054.10]	64.00 [1625.60]	2600 [1170]	F	SCD 10
550	TE3A0550JJ	DH6	49.00 [1244.60]	41.50 [1054.10]	64.00 [1625.60]	2850 [1280]	F	SCD 10
660	TE3A0660JJ	DH7	54.00 [1371.60]	46.50 [1181.10]	72.00 [1828.80]	3700 [1670]	F	SCD 10

W/C: Built-in Wall Ceiling Mounting, Opt W/C: Wall Ceiling Mounting Kit "DW3" Available

480 DELTA PRIMARY VOLTS

380Y/220 SECONDARY VOLTS

60 HZ

kVA	Catalog Number	Case Style	Approx. Dimensions - Inches [mm]			Approx. Weight Lbs [kg]	Mtg Type W - Wall F - Floor	Wiring Diagram
			Width	Depth	Height			
20	TE3A0020KG	DH1	21.50 [546.10]	20.10 [510.54]	22.00 [558.80]	220 [99]	F or W*	SCD 9
27	TE3A0027KG	DH2	25.80 [655.32]	23.80 [604.52]	28.80 [731.52]	280 [126]	F or W*	SCD 9
34	TE3A0034KG	DH2	25.80 [655.32]	23.80 [604.52]	28.80 [731.52]	340 [153]	F or W*	SCD 9
40	TE3A0040KG	DH2	25.80 [655.32]	23.80 [604.52]	28.80 [731.52]	360 [162]	F or W*	SCD 9
51	TE3A0051KG	DH2	25.80 [655.32]	23.80 [604.52]	28.80 [731.52]	400 [180]	F or W*	SCD 9
63	TE3A0063KG	DH3	28.30 [718.82]	27.00 [685.80]	36.00 [914.40]	420 [189]	F (Opt W)	SCD 9
75	TE3A0075KG	DH3	28.30 [718.82]	27.00 [685.80]	36.00 [914.40]	580 [261]	F (Opt W)	SCD 9
93	TE3A0093KG	DH3	28.30 [718.82]	27.00 [685.80]	36.00 [914.40]	615 [277]	F (Opt W)	SCD 9
118	TE3A0118KG	DH3	28.30 [718.82]	27.00 [685.80]	36.00 [914.40]	730 [329]	F (Opt W)	SCD 9
145	TE3A0145KG	DH4	31.50 [800.10]	29.50 [749.30]	44.50 [1130.30]	900 [405]	F	SCD 9
175	TE3A0175KG	DH4	31.50 [800.10]	29.50 [749.30]	44.50 [1130.30]	1000 [450]	F	SCD 9
220	TE3A0220KG	DH5	37.50 [952.50]	34.00 [863.60]	52.00 [1320.80]	1450 [650]	F	SCD 9
275	TE3A0275KG	DH5	37.50 [952.50]	34.00 [863.60]	52.00 [1320.80]	1600 [720]	F	SCD 9
330	TE3A0330KG	DH5	37.50 [952.50]	34.00 [863.60]	52.00 [1320.80]	2000 [900]	F	SCD 9
440	TE3A0440KG	DH6	49.00 [1244.60]	41.50 [1054.10]	64.00 [1625.60]	2600 [1170]	F	SCD 10
550	TE3A0550KG	DH6	49.00 [1244.60]	41.50 [1054.10]	64.00 [1625.60]	2850 [1280]	F	SCD 10
660	TE3A0660KG	DH7	54.00 [1371.60]	46.50 [1181.10]	72.00 [1828.80]	3700 [1670]	F	SCD 10

W/C: Built-in Wall Ceiling Mounting, Opt W/C: Wall Ceiling Mounting Kit "DW3" Available

For smaller kVA sizes, please contact HPS Sales for more information

SELECTION TABLES

HPS TRIBUNE E

Aluminum Wound, Three Phase



480 DELTA PRIMARY VOLTS

480Y/277 SECONDARY VOLTS

60 HZ

kVA	Catalog Number	Case Style	Approx. Dimensions - Inches [mm]			Approx. Weight Lbs [kg]	Mtg Type W - Wall F - Floor	Wiring Diagram
			Width	Depth	Height			
20	TE3A0020KK	DH1	21.50 [546.10]	20.10 [510.54]	22.00 [558.80]	220 [99]	F or W*	SCD 9
27	TE3A0027KK	DH2	25.80 [655.32]	23.80 [604.52]	28.80 [731.52]	280 [126]	F or W*	SCD 9
34	TE3A0034KK	DH2	25.80 [655.32]	23.80 [604.52]	28.80 [731.52]	340 [153]	F or W*	SCD 9
40	TE3A0040KK	DH2	25.80 [655.32]	23.80 [604.52]	28.80 [731.52]	360 [162]	F or W*	SCD 9
51	TE3A0051KK	DH2	25.80 [655.32]	23.80 [604.52]	28.80 [731.52]	400 [180]	F or W*	SCD 9
63	TE3A0063KK	DH3	28.30 [718.82]	27.00 [685.80]	36.00 [914.40]	420 [189]	F (Opt W)	SCD 9
75	TE3A0075KK	DH3	28.30 [718.82]	27.00 [685.80]	36.00 [914.40]	580 [261]	F (Opt W)	SCD 9
93	TE3A0093KK	DH3	28.30 [718.82]	27.00 [685.80]	36.00 [914.40]	615 [277]	F (Opt W)	SCD 9
118	TE3A0118KK	DH3	28.30 [718.82]	27.00 [685.80]	36.00 [914.40]	730 [329]	F (Opt W)	SCD 9
145	TE3A0145KK	DH4	31.50 [800.10]	29.50 [749.30]	44.50 [1130.30]	900 [405]	F	SCD 9
175	TE3A0175KK	DH4	31.50 [800.10]	29.50 [749.30]	44.50 [1130.30]	1000 [450]	F	SCD 9
220	TE3A0220KK	DH5	37.50 [952.50]	34.00 [863.60]	52.00 [1320.80]	1450 [650]	F	SCD 9
275	TE3A0275KK	DH5	37.50 [952.50]	34.00 [863.60]	52.00 [1320.80]	1600 [720]	F	SCD 9
330	TE3A0330KK	DH5	37.50 [952.50]	34.00 [863.60]	52.00 [1320.80]	2000 [900]	F	SCD 9
440	TE3A0440KK	DH6	49.00 [1244.60]	41.50 [1054.10]	64.00 [1625.60]	2600 [1170]	F	SCD 10
550	TE3A0550KK	DH6	49.00 [1244.60]	41.50 [1054.10]	64.00 [1625.60]	2850 [1280]	F	SCD 10
660	TE3A0660KK	DH7	54.00 [1371.60]	46.50 [1181.10]	72.00 [1828.80]	3700 [1670]	F	SCD 10

W/C: Built-in Wall Ceiling Mounting, Opt W/C: Wall Ceiling Mounting Kit "DW3" Available

575 DELTA PRIMARY VOLTS

380Y/220 SECONDARY VOLTS

60 HZ

kVA	Catalog Number	Case Style	Approx. Dimensions - Inches [mm]			Approx. Weight Lbs [kg]	Mtg Type W - Wall F - Floor	Wiring Diagram
			Width	Depth	Height			
20	TE3A0020NG	DH1	21.50 [546.10]	20.10 [510.54]	22.00 [558.80]	220 [99]	F or W*	SCD 9
27	TE3A0027NG	DH2	25.80 [655.32]	23.80 [604.52]	28.80 [731.52]	280 [126]	F or W*	SCD 9
34	TE3A0034NG	DH2	25.80 [655.32]	23.80 [604.52]	28.80 [731.52]	340 [153]	F or W*	SCD 9
40	TE3A0040NG	DH2	25.80 [655.32]	23.80 [604.52]	28.80 [731.52]	360 [162]	F or W*	SCD 9
51	TE3A0051NG	DH2	25.80 [655.32]	23.80 [604.52]	28.80 [731.52]	400 [180]	F or W*	SCD 9
63	TE3A0063NG	DH3	28.30 [718.82]	27.00 [685.80]	36.00 [914.40]	420 [189]	F (Opt W)	SCD 9
75	TE3A0075NG	DH3	28.30 [718.82]	27.00 [685.80]	36.00 [914.40]	580 [261]	F (Opt W)	SCD 9
93	TE3A0093NG	DH3	28.30 [718.82]	27.00 [685.80]	36.00 [914.40]	615 [277]	F (Opt W)	SCD 9
118	TE3A0118NG	DH3	28.30 [718.82]	27.00 [685.80]	36.00 [914.40]	730 [329]	F (Opt W)	SCD 9
145	TE3A0145NG	DH4	31.50 [800.10]	29.50 [749.30]	44.50 [1130.30]	900 [405]	F	SCD 9
175	TE3A0175NG	DH4	31.50 [800.10]	29.50 [749.30]	44.50 [1130.30]	1000 [450]	F	SCD 9
220	TE3A0220NG	DH5	37.50 [952.50]	34.00 [863.60]	52.00 [1320.80]	1450 [650]	F	SCD 9
275	TE3A0275NG	DH5	37.50 [952.50]	34.00 [863.60]	52.00 [1320.80]	1600 [720]	F	SCD 9
330	TE3A0330NG	DH5	37.50 [952.50]	34.00 [863.60]	52.00 [1320.80]	2000 [900]	F	SCD 9
440	TE3A0440NG	DH6	49.00 [1244.60]	41.50 [1054.10]	64.00 [1625.60]	2600 [1170]	F	SCD 10
550	TE3A0550NG	DH6	49.00 [1244.60]	41.50 [1054.10]	64.00 [1625.60]	2850 [1280]	F	SCD 10
660	TE3A0660NG	DH7	54.00 [1371.60]	46.50 [1181.10]	72.00 [1828.80]	3700 [1670]	F	SCD 10

W/C: Built-in Wall Ceiling Mounting, Opt W/C: Wall Ceiling Mounting Kit "DW3" Available

575 DELTA PRIMARY VOLTS

460Y/266 SECONDARY VOLTS

60 HZ

kVA	Catalog Number	Case Style	Approx. Dimensions - Inches [mm]			Approx. Weight Lbs [kg]	Mtg Type W - Wall F - Floor	Wiring Diagram
			Width	Depth	Height			
20	TE3A0020NJ	DH1	21.50 [546.10]	20.10 [510.54]	22.00 [558.80]	220 [99]	F or W*	SCD 9
27	TE3A0027NJ	DH2	25.80 [655.32]	23.80 [604.52]	28.80 [731.52]	280 [126]	F or W*	SCD 9
34	TE3A0034NJ	DH2	25.80 [655.32]	23.80 [604.52]	28.80 [731.52]	340 [153]	F or W*	SCD 9
40	TE3A0040NJ	DH2	25.80 [655.32]	23.80 [604.52]	28.80 [731.52]	360 [162]	F or W*	SCD 9
51	TE3A0051NJ	DH2	25.80 [655.32]	23.80 [604.52]	28.80 [731.52]	400 [180]	F or W*	SCD 9
63	TE3A0063NJ	DH3	28.30 [718.82]	27.00 [685.80]	36.00 [914.40]	420 [189]	F (Opt W)	SCD 9
75	TE3A0075NJ	DH3	28.30 [718.82]	27.00 [685.80]	36.00 [914.40]	580 [261]	F (Opt W)	SCD 9
93	TE3A0093NJ	DH3	28.30 [718.82]	27.00 [685.80]	36.00 [914.40]	615 [277]	F (Opt W)	SCD 9
118	TE3A0118NJ	DH3	28.30 [718.82]	27.00 [685.80]	36.00 [914.40]	730 [329]	F (Opt W)	SCD 9
145	TE3A0145NJ	DH4	31.50 [800.10]	29.50 [749.30]	44.50 [1130.30]	900 [405]	F	SCD 9
175	TE3A0175NJ	DH4	31.50 [800.10]	29.50 [749.30]	44.50 [1130.30]	1000 [450]	F	SCD 9
220	TE3A0220NJ	DH5	37.50 [952.50]	34.00 [863.60]	52.00 [1320.80]	1450 [650]	F	SCD 9
275	TE3A0275NJ	DH5	37.50 [952.50]	34.00 [863.60]	52.00 [1320.80]	1600 [720]	F	SCD 9
330	TE3A0330NJ	DH5	37.50 [952.50]	34.00 [863.60]	52.00 [1320.80]	2000 [900]	F	SCD 9
440	TE3A0440NJ	DH6	49.00 [1244.60]	41.50 [1054.10]	64.00 [1625.60]	2600 [1170]	F	SCD 10
550	TE3A0550NJ	DH6	49.00 [1244.60]	41.50 [1054.10]	64.00 [1625.60]	2850 [1280]	F	SCD 10
660	TE3A0660NJ	DH7	54.00 [1371.60]	46.50 [1181.10]	72.00 [1828.80]	3700 [1670]	F	SCD 10

W/C: Built-in Wall Ceiling Mounting, Opt W/C: Wall Ceiling Mounting Kit "DW3" Available

For smaller kVA sizes, please contact HPS Sales for more information

SELECTION TABLES

HPS TRIBUNE E

Aluminum Wound, Three Phase



575 DELTA PRIMARY VOLTS

575Y/332 SECONDARY VOLTS

60 HZ

kVA	Catalog Number	Case Style	Approx. Dimensions - Inches [mm]			Approx. Weight Lbs [kg]	Mtg Type W - Wall F - Floor	Wiring Diagram
			Width	Depth	Height			
20	TE3A0020NN	DH1	21.5 [546.10]	20.1 [510.54]	22.00 [558.80]	220 [99.0]	F or W*	SCD 9
27	TE3A0027NN	DH2	25.8 [655.32]	23.8 [604.52]	28.80 [731.52]	280 [126.0]	F or W*	SCD 9
34	TE3A0034NN	DH2	25.8 [655.32]	23.8 [604.52]	28.80 [731.52]	340 [153.0]	F or W*	SCD 9
40	TE3A0040NN	DH2	25.8 [655.32]	23.8 [604.52]	28.80 [731.52]	360 [162.0]	F or W*	SCD 9
51	TE3A0051NN	DH2	25.8 [655.32]	23.8 [604.52]	28.80 [731.52]	400 [180.0]	F or W*	SCD 9
63	TE3A0063NN	DH3	28.30 [718.82]	27.0 [685.80]	36.00 [914.40]	420 [189.0]	F (Opt W)	SCD 9
75	TE3A0075NN	DH3	28.30 [718.82]	27.0 [685.80]	36.00 [914.40]	580 [261.0]	F (Opt W)	SCD 9
93	TE3A0093NN	DH3	28.30 [718.82]	27.0 [685.80]	36.00 [914.40]	615 [277.0]	F (Opt W)	SCD 9
118	TE3A0118NN	DH3	28.30 [718.82]	27.0 [685.80]	36.00 [914.40]	730 [329.0]	F (Opt W)	SCD 9
145	TE3A0145NN	DH4	31.50 [800.10]	29.5 [749.30]	44.50 [1130.30]	900 [405.0]	F	SCD 9
175	TE3A0175NN	DH4	31.50 [800.10]	29.5 [749.30]	44.50 [1130.30]	1000 [450.0]	F	SCD 9
220	TE3A0220NN	DH5	37.50 [952.50]	34.0 [863.60]	52.00 [1320.80]	1450 [650.0]	F	SCD 9
275	TE3A0275NN	DH5	37.50 [952.50]	34.0 [863.60]	52.00 [1320.80]	1600 [720.0]	F	SCD 9
330	TE3A0330NN	DH5	37.50 [952.50]	34.0 [863.60]	52.00 [1320.80]	2000 [900.0]	F	SCD 9
440	TE3A0440NN	DH6	49.00 [1244.60]	41.5 [1054.10]	64.00 [1625.60]	2600 [1170.0]	F	SCD 10
550	TE3A0550NN	DH6	49.00 [1244.60]	41.5 [1054.10]	64.00 [1625.60]	2850 [1280.0]	F	SCD 10
660	TE3A0660NN	DH7	54.00 [1371.60]	46.5 [1181.10]	72.00 [1828.80]	3700 [1670.0]	F	SCD 10

W/C: Built-in Wall Ceiling Mounting, Opt W/C: Wall Ceiling Mounting Kit "DW3" Available

Copper Wound, Three Phase



460 DELTA PRIMARY VOLTS

230Y/133 SECONDARY VOLTS

60 HZ

kVA	Catalog Number	Case Style	Approx. Dimensions - Inches [mm]			Approx. Weight Lbs [kg]	Mtg Type W - Wall F - Floor	Wiring Diagram
			Width	Depth	Height			
20	TE3A0020JCM	DH1	21.50 [546.10]	20.10 [510.54]	22.00 [558.80]	230 [104]	F or W*	SCD 9
27	TE3A0027JCM	DH2	25.80 [655.32]	23.80 [604.52]	28.80 [731.52]	310 [140]	F or W*	SCD 9
34	TE3A0034JCM	DH2	25.80 [655.32]	23.80 [604.52]	28.80 [731.52]	350 [158]	F or W*	SCD 9
40	TE3A0040JCM	DH2	25.80 [655.32]	23.80 [604.52]	28.80 [731.52]	380 [171]	F or W*	SCD 9
51	TE3A0051JCM	DH2	25.80 [655.32]	23.80 [604.52]	28.80 [731.52]	450 [203]	F or W*	SCD 9
63	TE3A0063JCM	DH3	28.30 [718.82]	27.00 [685.80]	36.00 [914.40]	610 [275]	F (Opt W)	SCD 9
75	TE3A0075JCM	DH3	28.30 [718.82]	27.00 [685.80]	36.00 [914.40]	670 [302]	F (Opt W)	SCD 9
93	TE3A0093JCM	DH3	28.30 [718.82]	27.00 [685.80]	36.00 [914.40]	750 [338]	F (Opt W)	SCD 9
118	TE3A0118JCM	DH3	28.30 [718.82]	27.00 [685.80]	36.00 [914.40]	830 [374]	F (Opt W)	SCD 9
145	TE3A0145JCM	DH4	31.50 [800.10]	29.50 [749.30]	44.50 [1130.30]	1000 [450]	F	SCD 9
175	TE3A0175JCM	DH4	31.50 [800.10]	29.50 [749.30]	44.50 [1130.30]	1100 [500]	F	SCD 9
220	TE3A0220JCM	DH4	31.50 [800.10]	29.50 [749.30]	44.50 [1130.30]	1450 [650]	F	SCD 9
275	TE3A0275JCM	DH4	31.50 [800.10]	29.50 [749.30]	44.50 [1130.30]	1650 [740]	F	SCD 9
330	TE3A0330JCM	DH5	37.50 [952.50]	34.00 [863.60]	52.00 [1320.80]	2100 [950]	F	SCD 9
440	TE3A0440JCM	DH6	49.00 [1244.60]	41.50 [1054.10]	64.00 [1625.60]	3000 [1350]	F	SCD 10
550	TE3A0550JCM	DH6	49.00 [1244.60]	41.50 [1054.10]	64.00 [1625.60]	3250 [1460]	F	SCD 10
660	TE3A0660JCM	DH6	49.00 [1244.60]	41.50 [1054.10]	64.00 [1625.60]	3600 [1620]	F	SCD 10

W/C: Built-in Wall Ceiling Mounting, Opt W/C: Wall Ceiling Mounting Kit "DW3" Available

460 DELTA PRIMARY VOLTS

460Y/266 SECONDARY VOLTS

60 HZ

kVA	Catalog Number	Case Style	Approx. Dimensions - Inches [mm]			Approx. Weight Lbs [kg]	Mtg Type W - Wall F - Floor	Wiring Diagram
			Width	Depth	Height			
20	TE3A0020JJM	DH1	21.50 [546.10]	20.10 [510.54]	22.00 [558.80]	230 [104]	F or W*	SCD 9
27	TE3A0027JJM	DH2	25.80 [655.32]	23.80 [604.52]	28.80 [731.52]	310 [140]	F or W*	SCD 9
34	TE3A0034JJM	DH2	25.80 [655.32]	23.80 [604.52]	28.80 [731.52]	350 [158]	F or W*	SCD 9
40	TE3A0040JJM	DH2	25.80 [655.32]	23.80 [604.52]	28.80 [731.52]	380 [171]	F or W*	SCD 9
51	TE3A0051JJM	DH2	25.80 [655.32]	23.80 [604.52]	28.80 [731.52]	450 [203]	F or W*	SCD 9
63	TE3A0063JJM	DH3	28.30 [718.82]	27.00 [685.80]	36.00 [914.40]	610 [275]	F (Opt W)	SCD 9
75	TE3A0075JJM	DH3	28.30 [718.82]	27.00 [685.80]	36.00 [914.40]	670 [302]	F (Opt W)	SCD 9
93	TE3A0093JJM	DH3	28.30 [718.82]	27.00 [685.80]	36.00 [914.40]	750 [338]	F (Opt W)	SCD 9
118	TE3A0118JJM	DH3	28.30 [718.82]	27.00 [685.80]	36.00 [914.40]	830 [374]	F (Opt W)	SCD 9
145	TE3A0145JJM	DH4	31.50 [800.10]	29.50 [749.30]	44.50 [1130.30]	1000 [450]	F	SCD 9
175	TE3A0175JJM	DH4	31.50 [800.10]	29.50 [749.30]	44.50 [1130.30]	1100 [500]	F	SCD 9
220	TE3A0220JJM	DH4	31.50 [800.10]	29.50 [749.30]	44.50 [1130.30]	1450 [650]	F	SCD 9
275	TE3A0275JJM	DH4	31.50 [800.10]	29.50 [749.30]	44.50 [1130.30]	1650 [740]	F	SCD 9
330	TE3A0330JJM	DH5	37.50 [952.50]	34.00 [863.60]	52.00 [1320.80]	2100 [950]	F	SCD 9
440	TE3A0440JJM	DH6	49.00 [1244.60]	41.50 [1054.10]	64.00 [1625.60]	3000 [1350]	F	SCD 10
550	TE3A0550JJM	DH6	49.00 [1244.60]	41.50 [1054.10]	64.00 [1625.60]	3250 [1460]	F	SCD 10
660	TE3A0660JJM	DH6	49.00 [1244.60]	41.50 [1054.10]	64.00 [1625.60]	3600 [1620]	F	SCD 10

W/C: Built-in Wall Ceiling Mounting, Opt W/C: Wall Ceiling Mounting Kit "DW3" Available

For smaller kVA sizes, please contact HPS Sales for more information

SELECTION TABLES

HPS TRIBUNE E

Copper Wound, Three Phase



480 DELTA PRIMARY VOLTS

380Y/220 SECONDARY VOLTS

60 HZ

kVA	Catalog Number	Case Style	Approx. Dimensions - Inches [mm]			Approx. Weight Lbs [kg]	Mtg Type W - Wall F - Floor	Wiring Diagram
			Width	Depth	Height			
20	TE3A0020KGM	DH1	21.50 [546.10]	20.10 [510.54]	22.00 [558.80]	230 [104]	F or W*	SCD 9
27	TE3A0027KGM	DH2	25.80 [655.32]	23.80 [604.52]	28.80 [731.52]	310 [140]	F or W*	SCD 9
34	TE3A0034KGM	DH2	25.80 [655.32]	23.80 [604.52]	28.80 [731.52]	350 [158]	F or W*	SCD 9
40	TE3A0040KGM	DH2	25.80 [655.32]	23.80 [604.52]	28.80 [731.52]	380 [171]	F or W*	SCD 9
51	TE3A0051KGM	DH2	25.80 [655.32]	23.80 [604.52]	28.80 [731.52]	450 [203]	F or W*	SCD 9
63	TE3A0063KGM	DH3	28.30 [718.82]	27.00 [685.80]	36.00 [914.40]	610 [275]	F (Opt W)	SCD 9
75	TE3A0075KGM	DH3	28.30 [718.82]	27.00 [685.80]	36.00 [914.40]	670 [302]	F (Opt W)	SCD 9
93	TE3A0093KGM	DH3	28.30 [718.82]	27.00 [685.80]	36.00 [914.40]	750 [338]	F (Opt W)	SCD 9
118	TE3A0118KGM	DH3	28.30 [718.82]	27.00 [685.80]	36.00 [914.40]	830 [374]	F (Opt W)	SCD 9
145	TE3A0145KGM	DH4	31.50 [800.10]	29.50 [749.30]	44.50 [1130.30]	1000 [450]	F	SCD 9
175	TE3A0175KGM	DH4	31.50 [800.10]	29.50 [749.30]	44.50 [1130.30]	1100 [500]	F	SCD 9
220	TE3A0220KGM	DH4	31.50 [800.10]	29.50 [749.30]	44.50 [1130.30]	1450 [650]	F	SCD 9
275	TE3A0275KGM	DH4	31.50 [800.10]	29.50 [749.30]	44.50 [1130.30]	1650 [740]	F	SCD 9
330	TE3A0330KGM	DH5	37.50 [952.50]	34.00 [863.60]	52.00 [1320.80]	2100 [950]	F	SCD 9
440	TE3A0440KGM	DH6	49.00 [1244.60]	41.50 [1054.10]	64.00 [1625.60]	3000 [1350]	F	SCD 10
550	TE3A0550KGM	DH6	49.00 [1244.60]	41.50 [1054.10]	64.00 [1625.60]	3250 [1460]	F	SCD 10
660	TE3A0660KGM	DH6	49.00 [1244.60]	41.50 [1054.10]	64.00 [1625.60]	3600 [1620]	F	SCD 10

W/C: Built-in Wall Ceiling Mounting, Opt W/C: Wall Ceiling Mounting Kit "DW3" Available

480 DELTA PRIMARY VOLTS

480Y/277 SECONDARY VOLTS

60 HZ

kVA	Catalog Number	Case Style	Approx. Dimensions - Inches [mm]			Approx. Weight Lbs [kg]	Mtg Type W - Wall F - Floor	Wiring Diagram
			Width	Depth	Height			
20	TE3A0020KKM	DH1	21.50 [546.10]	20.10 [510.54]	22.00 [558.80]	230 [104]	F or W*	SCD 9
27	TE3A0027KKM	DH2	25.80 [655.32]	23.80 [604.52]	28.80 [731.52]	310 [140]	F or W*	SCD 9
34	TE3A0034KKM	DH2	25.80 [655.32]	23.80 [604.52]	28.80 [731.52]	350 [158]	F or W*	SCD 9
40	TE3A0040KKM	DH2	25.80 [655.32]	23.80 [604.52]	28.80 [731.52]	380 [171]	F or W*	SCD 9
51	TE3A0051KKM	DH2	25.80 [655.32]	23.80 [604.52]	28.80 [731.52]	450 [203]	F or W*	SCD 9
63	TE3A0063KKM	DH3	28.30 [718.82]	27.00 [685.80]	36.00 [914.40]	610 [275]	F (Opt W)	SCD 9
75	TE3A0075KKM	DH3	28.30 [718.82]	27.00 [685.80]	36.00 [914.40]	670 [302]	F (Opt W)	SCD 9
93	TE3A0093KKM	DH3	28.30 [718.82]	27.00 [685.80]	36.00 [914.40]	750 [338]	F (Opt W)	SCD 9
118	TE3A0118KKM	DH3	28.30 [718.82]	27.00 [685.80]	36.00 [914.40]	830 [374]	F (Opt W)	SCD 9
145	TE3A0145KKM	DH4	31.50 [800.10]	29.50 [749.30]	44.50 [1130.30]	1000 [450]	F	SCD 9
175	TE3A0175KKM	DH4	31.50 [800.10]	29.50 [749.30]	44.50 [1130.30]	1100 [500]	F	SCD 9
220	TE3A0220KKM	DH4	31.50 [800.10]	29.50 [749.30]	44.50 [1130.30]	1450 [650]	F	SCD 9
275	TE3A0275KKM	DH4	31.50 [800.10]	29.50 [749.30]	44.50 [1130.30]	1650 [740]	F	SCD 9
330	TE3A0330KKM	DH5	37.50 [952.50]	34.00 [863.60]	52.00 [1320.80]	2100 [950]	F	SCD 9
440	TE3A0440KKM	DH6	49.00 [1244.60]	41.50 [1054.10]	64.00 [1625.60]	3000 [1350]	F	SCD 10
550	TE3A0550KKM	DH6	49.00 [1244.60]	41.50 [1054.10]	64.00 [1625.60]	3250 [1460]	F	SCD 10
660	TE3A0660KKM	DH6	49.00 [1244.60]	41.50 [1054.10]	64.00 [1625.60]	3600 [1620]	F	SCD 10

W/C: Built-in Wall Ceiling Mounting, Opt W/C: Wall Ceiling Mounting Kit "DW3" Available

575 DELTA PRIMARY VOLTS

380Y/220 SECONDARY VOLTS

60 HZ

kVA	Catalog Number	Case Style	Approx. Dimensions - Inches [mm]			Approx. Weight Lbs [kg]	Mtg Type W - Wall F - Floor	Wiring Diagram
			Width	Depth	Height			
20	TE3A0020NGM	DH1	21.50 [546.10]	20.10 [510.54]	22.00 [558.80]	230 [104]	F or W*	SCD 9
27	TE3A0027NGM	DH2	25.80 [655.32]	23.80 [604.52]	28.80 [731.52]	310 [140]	F or W*	SCD 9
34	TE3A0034NGM	DH2	25.80 [655.32]	23.80 [604.52]	28.80 [731.52]	350 [158]	F or W*	SCD 9
40	TE3A0040NGM	DH2	25.80 [655.32]	23.80 [604.52]	28.80 [731.52]	380 [171]	F or W*	SCD 9
51	TE3A0051NGM	DH2	25.80 [655.32]	23.80 [604.52]	28.80 [731.52]	450 [203]	F or W*	SCD 9
63	TE3A0063NGM	DH3	28.30 [718.82]	27.00 [685.80]	36.00 [914.40]	610 [275]	F (Opt W)	SCD 9
75	TE3A0075NGM	DH3	28.30 [718.82]	27.00 [685.80]	36.00 [914.40]	670 [302]	F (Opt W)	SCD 9
93	TE3A0093NGM	DH3	28.30 [718.82]	27.00 [685.80]	36.00 [914.40]	750 [338]	F (Opt W)	SCD 9
118	TE3A0118NGM	DH3	28.30 [718.82]	27.00 [685.80]	36.00 [914.40]	830 [374]	F (Opt W)	SCD 9
145	TE3A0145NGM	DH4	31.50 [800.10]	29.50 [749.30]	44.50 [1130.30]	1000 [450]	F	SCD 9
175	TE3A0175NGM	DH4	31.50 [800.10]	29.50 [749.30]	44.50 [1130.30]	1100 [500]	F	SCD 9
220	TE3A0220NGM	DH4	31.50 [800.10]	29.50 [749.30]	44.50 [1130.30]	1450 [650]	F	SCD 9
275	TE3A0275NGM	DH4	31.50 [800.10]	29.50 [749.30]	44.50 [1130.30]	1650 [740]	F	SCD 9
330	TE3A0330NGM	DH5	37.50 [952.50]	34.00 [863.60]	52.00 [1320.80]	2100 [950]	F	SCD 9
440	TE3A0440NGM	DH6	49.00 [1244.60]	41.50 [1054.10]	64.00 [1625.60]	3000 [1350]	F	SCD 10
550	TE3A0550NGM	DH6	49.00 [1244.60]	41.50 [1054.10]	64.00 [1625.60]	3250 [1460]	F	SCD 10
660	TE3A0660NGM	DH6	49.00 [1244.60]	41.50 [1054.10]	64.00 [1625.60]	3600 [1620]	F	SCD 10

W/C: Built-in Wall Ceiling Mounting, Opt W/C: Wall Ceiling Mounting Kit "DW3" Available

For smaller kVA sizes, please contact HPS Sales for more information.

SELECTION TABLES

HPS TRIBUNE E

Copper Wound, Three Phase



575 DELTA PRIMARY VOLTS

460Y/266 SECONDARY VOLTS

60 HZ

kVA	Catalog Number	Case Style	Approx. Dimensions - Inches [mm]			Approx. Weight Lbs [kg]	Mtg Type W - Wall F - Floor	Wiring Diagram
			Width	Depth	Height			
20	TE3A0020NJM	DH1	21.50 [546.10]	20.10 [510.54]	22.00 [558.80]	230 [104]	F or W*	SCD 9
27	TE3A0027NJM	DH2	25.80 [655.32]	23.80 [604.52]	28.80 [731.52]	310 [140]	F or W*	SCD 9
34	TE3A0034NJM	DH2	25.80 [655.32]	23.80 [604.52]	28.80 [731.52]	350 [158]	F or W*	SCD 9
40	TE3A0040NJM	DH2	25.80 [655.32]	23.80 [604.52]	28.80 [731.52]	380 [171]	F or W*	SCD 9
51	TE3A0051NJM	DH2	25.80 [655.32]	23.80 [604.52]	28.80 [731.52]	450 [203]	F or W*	SCD 9
63	TE3A0063NJM	DH3	28.30 [718.82]	27.00 [685.80]	36.00 [914.40]	610 [275]	F (Opt W)	SCD 9
75	TE3A0075NJM	DH3	28.30 [718.82]	27.00 [685.80]	36.00 [914.40]	670 [302]	F (Opt W)	SCD 9
93	TE3A0093NJM	DH3	28.30 [718.82]	27.00 [685.80]	36.00 [914.40]	750 [338]	F (Opt W)	SCD 9
118	TE3A0118NJM	DH3	28.30 [718.82]	27.00 [685.80]	36.00 [914.40]	830 [374]	F (Opt W)	SCD 9
145	TE3A0145NJM	DH4	31.50 [800.10]	29.50 [749.30]	44.50 [1130.30]	1000 [450]	F	SCD 9
175	TE3A0175NJM	DH4	31.50 [800.10]	29.50 [749.30]	44.50 [1130.30]	1100 [500]	F	SCD 9
220	TE3A0220NJM	DH4	31.50 [800.10]	29.50 [749.30]	44.50 [1130.30]	1450 [650]	F	SCD 9
275	TE3A0275NJM	DH4	31.50 [800.10]	29.50 [749.30]	44.50 [1130.30]	1650 [740]	F	SCD 9
330	TE3A0330NJM	DH5	37.50 [952.50]	34.00 [863.60]	52.00 [1320.80]	2100 [950]	F	SCD 9
440	TE3A0440NJM	DH6	49.00 [1244.60]	41.50 [1054.10]	64.00 [1625.60]	3000 [1350]	F	SCD 10
550	TE3A0550NJM	DH6	49.00 [1244.60]	41.50 [1054.10]	64.00 [1625.60]	3250 [1460]	F	SCD 10
660	TE3A0660NJM	DH6	49.00 [1244.60]	41.50 [1054.10]	64.00 [1625.60]	3600 [1620]	F	SCD 10

W/C: Built-in Wall Ceiling Mounting, Opt W/C: Wall Ceiling Mounting Kit "DW3" Available

575 DELTA PRIMARY VOLTS

575Y/332 SECONDARY VOLTS

60 HZ

kVA	Catalog Number	Case Style	Approx. Dimensions - Inches [mm]			Approx. Weight Lbs [kg]	Mtg Type W - Wall F - Floor	Wiring Diagram
			Width	Depth	Height			
20	TE3A0020NNM	DH1	21.50 [546.10]	20.10 [510.54]	22.00 [558.80]	230 [104]	F or W*	SCD 9
27	TE3A0027NNM	DH2	25.80 [655.32]	23.80 [604.52]	28.80 [731.52]	310 [140]	F or W*	SCD 9
34	TE3A0034NNM	DH2	25.80 [655.32]	23.80 [604.52]	28.80 [731.52]	350 [158]	F or W*	SCD 9
40	TE3A0040NNM	DH2	25.80 [655.32]	23.80 [604.52]	28.80 [731.52]	380 [171]	F or W*	SCD 9
51	TE3A0051NNM	DH2	25.80 [655.32]	23.80 [604.52]	28.80 [731.52]	450 [203]	F or W*	SCD 9
63	TE3A0063NNM	DH3	28.30 [718.82]	27.00 [685.80]	36.00 [914.40]	610 [275]	F (Opt W)	SCD 9
75	TE3A0075NNM	DH3	28.30 [718.82]	27.00 [685.80]	36.00 [914.40]	670 [302]	F (Opt W)	SCD 9
93	TE3A0093NNM	DH3	28.30 [718.82]	27.00 [685.80]	36.00 [914.40]	750 [338]	F (Opt W)	SCD 9
118	TE3A0118NNM	DH3	28.30 [718.82]	27.00 [685.80]	36.00 [914.40]	830 [374]	F (Opt W)	SCD 9
145	TE3A0145NNM	DH4	31.50 [800.10]	29.50 [749.30]	44.50 [1130.30]	1000 [450]	F	SCD 9
175	TE3A0175NNM	DH4	31.50 [800.10]	29.50 [749.30]	44.50 [1130.30]	1100 [500]	F	SCD 9
220	TE3A0220NNM	DH4	31.50 [800.10]	29.50 [749.30]	44.50 [1130.30]	1450 [650]	F	SCD 9
275	TE3A0275NNM	DH4	31.50 [800.10]	29.50 [749.30]	44.50 [1130.30]	1650 [740]	F	SCD 9
330	TE3A0330NNM	DH5	37.50 [952.50]	34.00 [863.60]	52.00 [1320.80]	2100 [950]	F	SCD 9
440	TE3A0440NNM	DH6	49.00 [1244.60]	41.50 [1054.10]	64.00 [1625.60]	3000 [1350]	F	SCD 10
550	TE3A0550NNM	DH6	49.00 [1244.60]	41.50 [1054.10]	64.00 [1625.60]	3250 [1460]	F	SCD 10
660	TE3A0660NNM	DH6	49.00 [1244.60]	41.50 [1054.10]	64.00 [1625.60]	3600 [1620]	F	SCD 10

W/C: Built-in Wall Ceiling Mounting, Opt W/C: Wall Ceiling Mounting Kit "DW3" Available

For smaller kVA sizes, please contact HPS Sales for more information.

TYPICAL IMPEDANCE & INRUSH CURRENT RANGE

Three Phase - 80°C To 150°C Rise, 208 To 600V

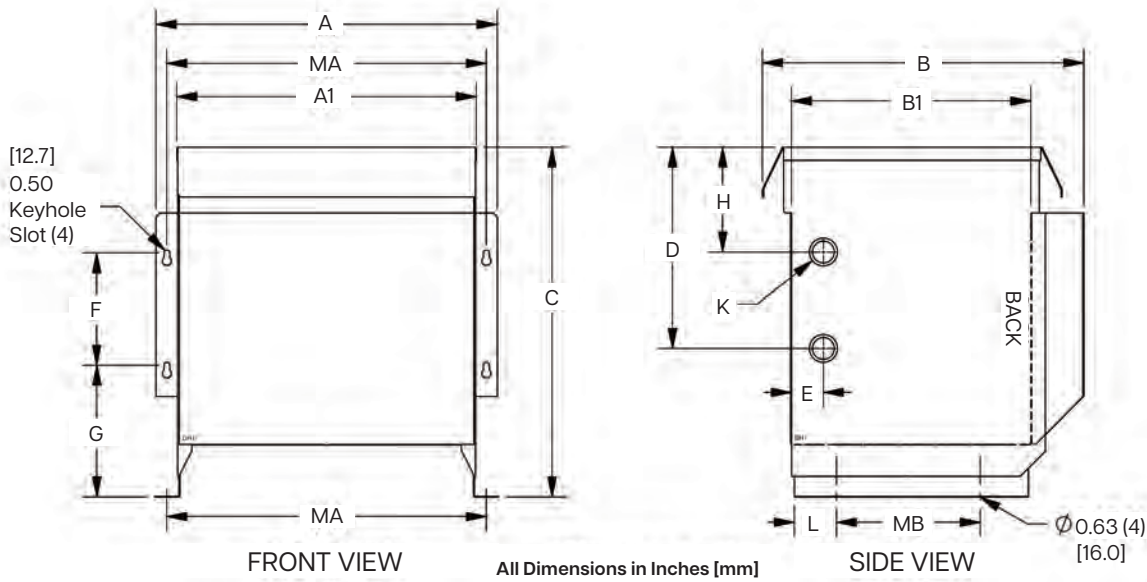
kVA	Efficiency at 35% of Rated Load, at 75°C	Impedance	Peak Inrush Current Multiple of RMS Current
20	98.00%	2-6.5%	12 to 15
27	98.16%		
34	98.28%		
40	98.34%		
51	98.44%		
63	98.52%	2-6.5%	10 to 12
75	98.60%		
93	98.67%		
118	98.75%		
145	98.82%		
175	98.87%	4-7%	8 to 10
220	98.93%		
275	98.99%		
330	99.04%	4-7.5%	8 to 10
440	99.10%		
550	99.16%		
660	99.20%		

Performance Data

Note: Typical Performance Data is Available Upon Request

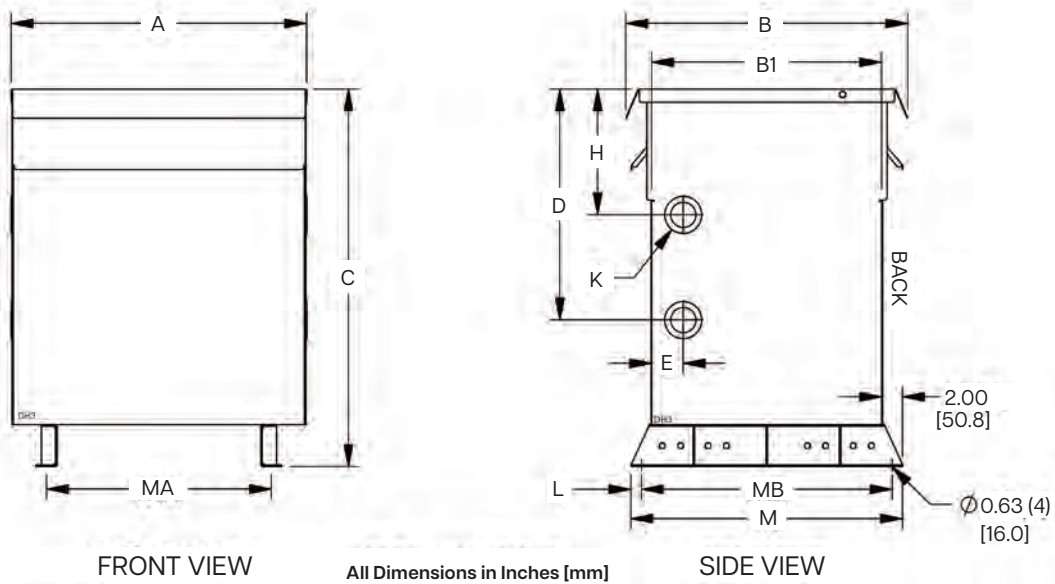
ENCLOSURE DRAWINGS

DH SERIES



Case Style	Dimensions in Inches [Millimeter]														
	A	A1	B	B1	C	D	E	F	G	H	K	L	MA	MB	
DH1	21.5 [546.1]	18.8 [477.5]	20.1 [510.5]	15 [381.0]	22 [558.8]	12.6 [320.0]	2 [50.8]	7 [177.8]	8.3 [210.8]	6.6 [167.6]	1.38 X 1.75 K.O. [35.0 X 44.4 K.O.]	2.6 [66.0]	20 [508.0]	9 [228.6]	
DH2	25.8 [655.3]	23.3 [591.8]	23.8 [604.5]	18 [457.2]	28.8 [731.5]	17 [431.8]	2 [50.8]	8 [203.2]	10.3 [261.6]	8.6 [218.4]	1.75 X 2.5 K.O. [44.4 X 63.5 K.O.]	3.8 [96.5]	24 [624.8]	9.0 [228.6]	

¹ Knockout (K) sizes are actual diameters of knockout, not conduit sizes.

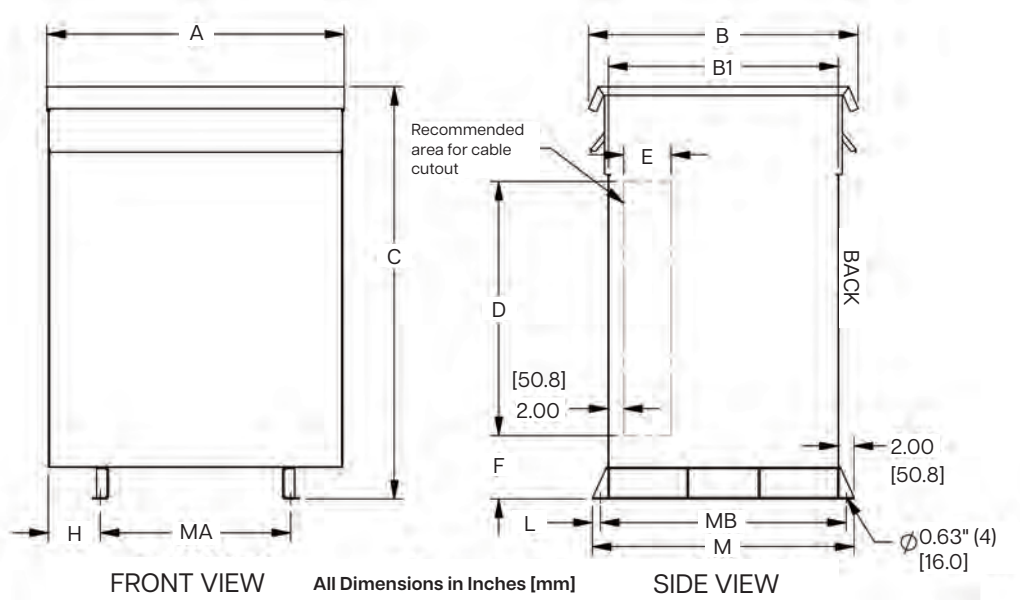


Case Style	Dimensions in Inches [Millimeter]											
	A	B	B1	C	D	E	H	K	L	M	MA	MB
DH3	28.30 [718.82]	27.00 [685.80]	22.00 [558.80]	36.00 [914.40]	22.00 [558.80]	3.00 [76.20]	12.00 [304.80]	2.00 X 3.00 K.O. [50.80 X 76.20 K.O.]	1.00 [25.40]	26.00 [660.40]	21.50 [546.10]	24.00 [609.60]
DH4	31.50 [800.10]	29.50 [749.30]	24.50 [622.30]	44.50 [1130.30]	27.50 [698.50]	3.00 [76.20]	14.50 [368.30]	2.00 X 3.00 K.O. [50.80 X 76.20]	1.00 [25.40]	28.50 [723.90]	23.50 [596.90]	26.50 [673.10]

¹ Knockout (K) sizes are actual diameters of knockout, not conduit sizes.

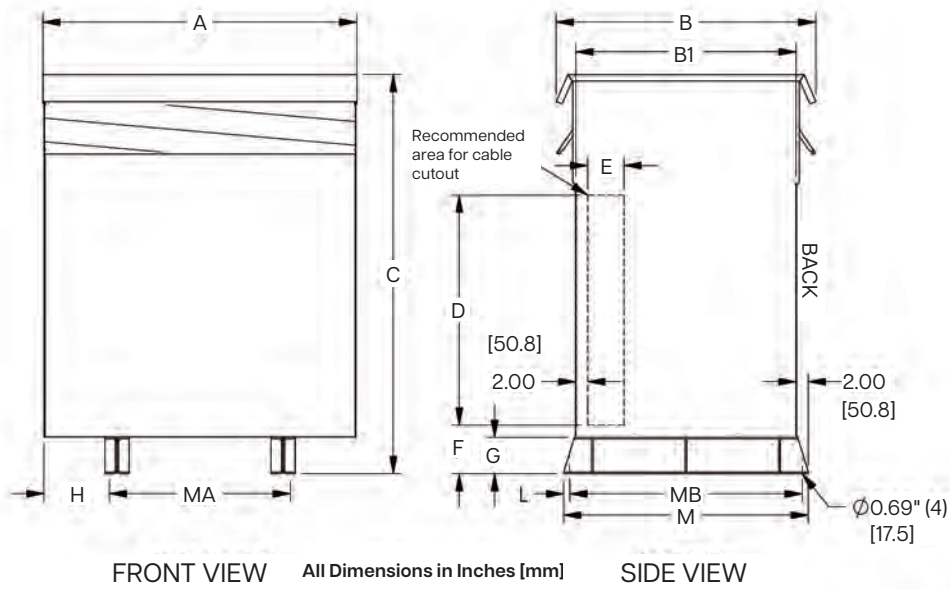
ENCLOSURE DRAWINGS

DH SERIES



Case Style	Dimensions in Inches [Millimeter]											
	A	B	B1	C	D	E	F	H	L	M	MA	MB
DH5	38 [965.2]	34 [863.6]	29 [736.6]	52 [1320.8]	32 [812.8]	6 [152.4]	8.00 [203.2]	6.6 [167.6]	1 [25.4]	33 [838.2]	24 [609.6]	31 [787.4]

¹ Knockout (K) sizes are actual diameters of knockout, not conduit sizes.



Case Style	Dimensions in Inches [Millimeter]												
	A	B	B1	C	D	E	F	G	H	L	M	MA	MB
DH6	49 [1244.6]	42 [1066.8]	35 [889.0]	64 [1625.6]	32 [812.8]	6 [152.40]	10 [254.0]	6 [152.4]	9.3 [236.2]	1 [25.40]	39 [990.6]	30 [762.0]	37 [939.8]
DH7	54 [1371.6]	47 [1193.8]	40 [1016.0]	72 [1828.8]	40 [1016.0]	8 [203.2]	10 [254.0]	6 [152.4]	8.0 [223.5]	1 [25.40]	44 [1117.6]	36 [914.4]	42 [1066.8]

¹ Knockout (K) sizes are actual diameters of knockout, not conduit sizes.

Enclosure Mounting Kits

If wall and/or ceiling mounting is desired for a transformer, optional mounting kits can be ordered separately. These mounting kits are NOT available for all enclosure case styles. Therefore, it is important that you confirm your enclosure case style, then use the selection table to the right to determine if A) a mounting kit is available and B) determine the correct HPS “Mounting Kit” part number that you must order. One kit is required for each transformer.

Note: Some of the mounting kits can be used for both wall and ceiling mount, while others are for wall mounting only. The table indicates which mounting methods are available for each kit. The DW3 wall/ceiling mounting kit also includes a drip plate.

The DW3 wall/ceiling mounting kit is only designed for units up to 1000 pounds (453 kg) maximum.

If it is intended to wall and/or ceiling mount an enclosure that does not have a wall/ceiling mount kit available, considerations must be made to mechanically support the transformer safely and to install per the local building code. A drip plate must be provided beneath the enclosure per UL 1561 and CSA C22.2 No. 47.

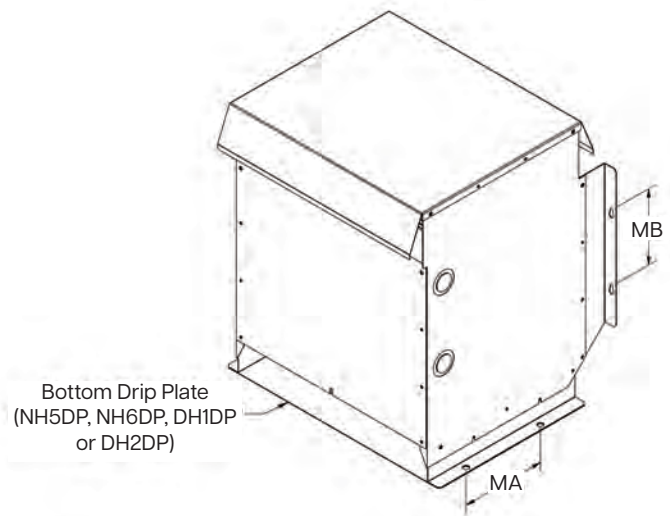
Enclosure Case Style	Wall Mount Available	Ceiling Mount Available	HPS Mounting Kit P/N
DH1	Yes	Yes	DH1DP
DH2	Yes	Yes	DH2DP
DH3	Yes	Yes	DW3
DH4	No	No	N/A
DH5	No	No	N/A
DH6	No	No	N/A
DH7	No	No	N/A

DH1DP and DH2DP Drip Plate Kit Required For Wall/Ceiling Mounting Kits

The DH1 and DH2 enclosures are designed with integral wall mounting capabilities. However, when you wall mount them, you must also install the bottom drip plate as shown below. The “MB” dimensions listed in the table below indicate the location for the wall mounting hardware.

For ceiling mounting of the DH1 and DH2, refer to the “MA” dimensions listed in the table below and hang the enclosure using appropriate sized ceiling hanger rods. However, you must be sure to install the bottom drip plate to the bottom of the enclosure, then bring the hanger rod down through both the enclosure bottom mounting holes, through the drip plate mounting holes, and install mounting hardware.

Note: Do not ceiling mount either the DH1 and DH2 enclosures without installing the bottom drip plate. All mounting hardware should be rated Grade 8 or higher.



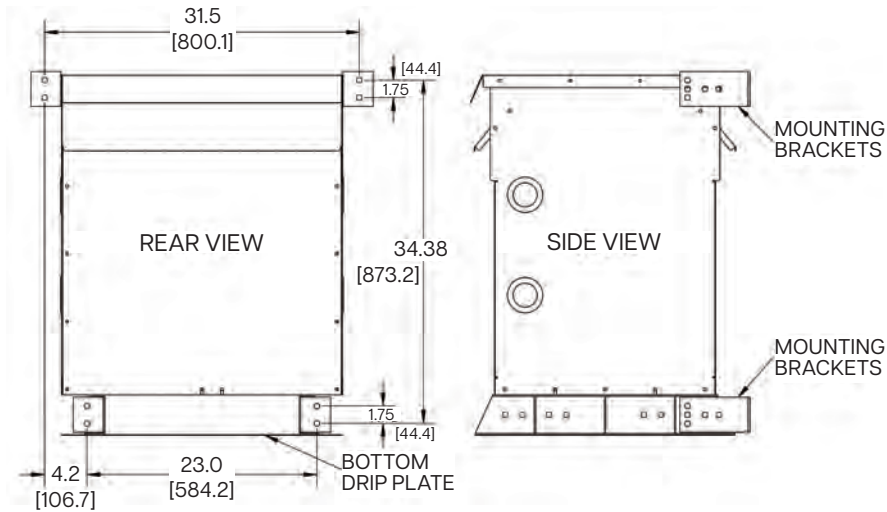
Mounting Kit P/N	Enclosure Style	MAB Dimension Inches [mm]	MB Dimension Inches [mm]
DH1DP	DH1	9.00 [228.6]	7.00 [177.8]
DH2DP	DH2	9.00 [228.6]	8.00 [203.2]

ENCLOSURE WALL/CEILING MOUNTING DIMENSIONS

DW3 WALL MOUNTING KIT DIMENSIONS

The following drawings detail the wall mounting dimensions required and method by which the DW3 kit are installed on their respective DH3 enclosures. The DW3 wall mounting kit also includes a drip plate.

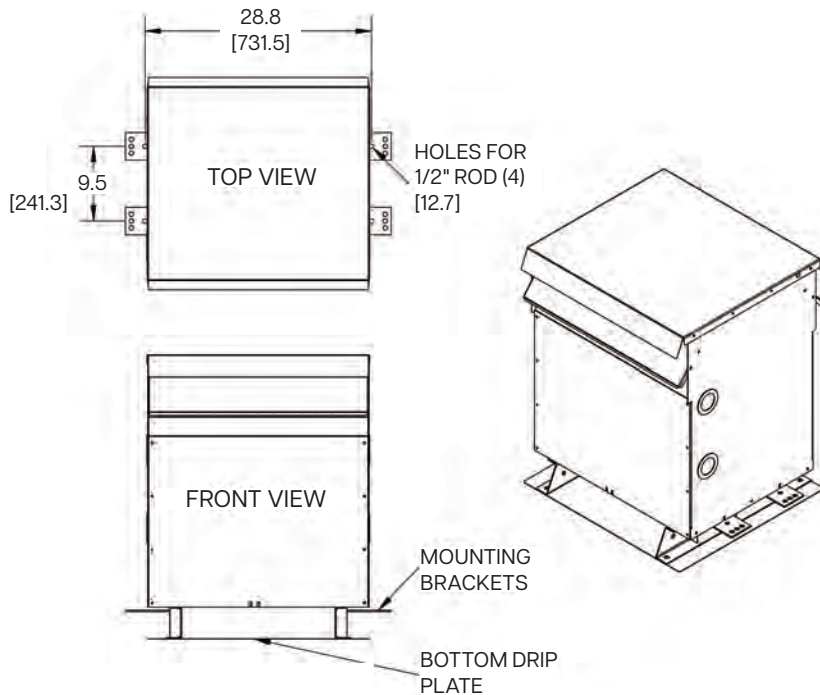
DW3 Wall Mount Dimensions



DW3 CEILING MOUNTING KIT DIMENSIONS

The following drawings detail the ceiling mounting dimensions required and method by which the DW3 kit are installed on the DH3 enclosure.

DW3 Ceiling Mounting Kit Dimensions - Mounting Dimensions for DH3 Enclosures



ANTI-VIBRATION PAD & VIBRATION ISOLATOR KITS

Anti-Vibration Pad and Vibration Isolator Kits

All standard transformers come with installed internal vibration absorbing pads to minimize noise during operation. Optional external “anti-vibration” pad and “vibration isolator” (for higher noise dampening) kits can be used to reduce operating noise even further. All pads are resistant to industrial contaminants like oil, acids and alkalines.

ANTI-VIBRATION PAD KITS

Part No.	Case Style	Description
PD1	DH1-DH5	Set of four (4) rubber anti-vibration pads which replace the standard steel enclosure washers.
PD2	DH6-DH8	



All anti-vibration pad kits and vibration isolator kits contain a set of four (4) pads or isolators. Therefore only one kit is required per transformer.

VIBRATION ISOLATOR KITS

Part No.	Transformer Weight Lbs [kg]	Description
NMP1	Up to 340 lbs [154]	Set of four (4) molded neoprene and steel plate assemblies that virtually eliminate vibration noise between the transformer and the mounting surface.
NMP2	341 to 680 lbs [155 to 608]	
NMP3	681 to 1040 lbs [309 to 472]	
NMP4	1041 to 1740 lbs [472 to 789]	
NMP5	1741 to 2330 lbs [790 to 1057]	
NMP6	2331 to 3450 lbs [1057 to 1565]	
NMP7	3451 to 4690 lbs [1565 to 2127]	

All anti-vibration pad kits and vibration isolator kits contain a set of four (4) pads or isolators. Therefore only one kit is required per transformer.



ENCLOSURE SPARE PARTS



HPS Part No.	Part Description	Qty per Package
DH1001	DH1 Enclosure Top Panel	1
DH1002	DH1 Enclosure Left Side Panel	1
DH1003	DH1 Enclosure Right Side Panel	1
DH2001	DH2 Enclosure Top Panel	1
DH2002	DH2 Enclosure Left Side Panel	1
DH2003	DH2 Enclosure Right Side Panel	1
DH3001	DH3 Enclosure Top Cover	1
DH3002	DH3 Enclosure Left Side Panel	1
DH3003	DH3 Enclosure Right Side Panel	1
DH3005	DH3 Enclosure Back Panel	1
DH3007	DH3 Enclosure Drip-Shield	1
DH4001	DH3 Enclosure Top Cover	1
DH4002	DH4 Enclosure Left Side Panel	1
DH4003	DH4 Enclosure Right Side Panel	1
DH4005	DH3 Enclosure Back Panel	1
DH4007	DH4 Enclosure Drip-Shield	1
DH5001	DH5 Enclosure Top Cover	1
DH5002	DH5 Enclosure Left Side Panel	1
DH5003	DH5 Enclosure Right Side Panel	1
DH5005	DH5 Enclosure Back Panel	1
DH5007	DH5 Drip-Shield	1
DH5008	DH5 Enclosure Jacking Angle - Front	1
DH5009	DH5 Enclosure Jacking Angle - Back	1

Minimum Order Size applies to enclosure spare parts.

Due to technical and certification compliance reasons only selected enclosure parts are offered as spare parts (as per table).

For front panel replacements please contact your HPS sales office.

Touch-Up Paint

Please verify part number with HPS Customer Service to determine which shade of paint to use.

Mexico Built Products: **PNTB10098**

Canada/US Built Products: **PNTB10099**

ELECTRICAL SCHEMATICS & CONNECTION DRAWINGS

SCD 9

Schematic	Connections					
	% Voltage	Primary Volts			Connect lines to	Inter-connect
	105.0%	483	504	604	H1, H2, H3	1
	102.5%	472	492	589	H1, H2, H3	2
	100.0%	460	480	575	H1, H2, H3	3
	97.5%	449	468	61	H1, H2, H3	4
	95.0%	437	456	546	H1, H2, H3	5
	Secondary Volts		Connect lines to		Inter-connect	
	230	460	480	575	X1, X2, X3	
133	266	277	332	X1, X0 X2, X0 X3, X0		

SCD 10

Schematic	Connections					
	% Voltage	Primary Volts			Connect lines to	Inter-connect
	105.0%	483	504	604	H1, H2, H3	1
	102.5%	472	492	589	H1, H2, H3	2
	100.0%	460	480	575	H1, H2, H3	3
	97.5%	449	468	61	H1, H2, H3	4
	95.0%	437	456	546	H1, H2, H3	5
	Secondary Volts		Connect lines to		Inter-connect	
	208	230	460	575	X1, X2, X3	
120	133	266	332	X1, X0 X2, X0 X3, X0		



CANADA

Hammond Power Solutions

595 Southgate Drive
Guelph, Ontario N1G 3W6
Tel: (519) 822-2441 | Fax: (519) 822-9701
Toll Free: 1-888-798-8882

sales@hammondpowersolutions.com



UNITED STATES

Hammond Power Solutions

1100 Lake Street
Baraboo, Wisconsin 53913-2866
Tel: (608) 356-3921 | Fax: (608) 355-7623
Toll Free: 1-866-705-4684

sales@hammondpowersolutions.com



MEXICO

Hammond Power Solutions Latin America S.

Av. No. 800,
Parque Industrial Guadalupe
Guadalupe, NL, Mexico, C.P. 67190.
Tel: (819) 690-8000

sales@hammondpowersolutions.com



ASIA

Hammond Power Solutions Pvt. Ltd.

Plot No 6A, Phase -1, IDA,
Pashamylaram, Patancheru (M)
Sangareddy, 502 307, India
Tel: +91-994-995-0009

marketing-india@hammondpowersolutions.com

EMEA (SALES OFFICE)

Hammond Power Solutions SpA

Tel: +49 (152) 08800468

sales-emea@hammondpowersolutions.com



hammondpowersolutions.com



TRIBSP-BBH2-EN
November 2024