

hammond  
POWER SOLUTIONS



# HPS TRIBUNE™

Drive Isolation Transformers



[hammondpowersolutions.com](http://hammondpowersolutions.com)

energizing our world

Distributed by Gross Automation | +1 (262) 252-1600 | [sales@grossautomation.com](mailto:sales@grossautomation.com)

## TABLE OF CONTENTS

Specifications & Accessories	03	Enclosure Ceiling Mounting Dimensions	17
Selection Tables - HPS Tribune™	04	Anti-Vibration Pads & Vibration Isolator Kits	18
Termination Details	13	Electrical Schematics & Connection	19
Enclosure Dimensional Drawings	14		
Enclosure Wall Mounting Dimensions	16		

HPS drive isolation transformers are designed to meet the rugged demands of both AC and DC variable speed drives and also to provide the required voltage change. HPS offers two lines of drive isolation transformers compliant to different levels of efficiency. This brochure covers our lowest efficiency option. For higher efficiency option(s) please refer to HPS Tribune E catalog.

### Benefits

- Standard Type 3R enclosure suitable for indoor or outdoor applications
- Standard integral floor and wall mounting brackets up to 51kVA allow for faster installation
- All units utilize a uniform 220°C insulation system with a 80°C, 115°C, or 150°C temperature rise
- Industry leading design solutions, technology and materials continue the legacy of quality and reliability in all HPS products



### Features

#### Core & Coil Construction:

- Manufactured from quality non-aging, cold rolled, silicon steel laminations using state-of-the-art equipment
- Cores are precision cut to close tolerances which eliminates burrs and improves performance
- Core is coated to prevent the ingress of moisture
- Precision wound with copper or aluminum conductors that are electrically balanced to minimize axial forces during short-circuit conditions
- Robust interface between core & coils for better short circuit performance

**Conductor material:** Copper or Aluminum

**Temperature rise:** 150°C typical (low rise options avail.)

**Insulation system:** 220°C



## Specifications & Accessories - Copper or Aluminum



7.5 to 175 kVA



220 to 660 kVA

### Standard Specifications

<b>UL Listed:</b>	File: E112313
<b>CSA Certified:</b>	File: LR3902
<b>Frequency:</b>	60 Hz
<b>Insulation System:</b>	220°C (150°C rise) 200°C (130°C rise) on some Copper units up to 40kVA
<b>Enclosure Type:</b>	Heavy duty ventilated type 3R Optional type 4, 4X (stainless steel) and 12
<b>Enclosure Finish:</b>	ANSI 61 Grey, UL50
<b>Neutral:</b>	Neutral terminal for field connection (on applicable units)
<b>Standard Primary Taps:</b>	Refer to wiring diagrams for details
<b>Termination:</b>	Front accessible separate high and low voltage terminations; suitable for copper and aluminum are provided for easy cable installation
<b>Thermostat:</b>	Standard on all units
<b>Conduit Knock-Outs:</b>	Standard on all units (no knock-outs on Stainless Steel enclosures)
<b>Impedance:</b>	Typically 3 to 6%
<b>Mounting:</b>	Floor mounting available on all units. Wall & ceiling mount available on units up to 750 lbs Refer to selection tables for details
<b>Short Circuit Withstand:</b>	Meets UL and CSA short circuit withstand requirements

<b>UL Listed:</b>	File: E112313
<b>CSA Certified:</b>	File: LR3902
<b>Frequency:</b>	60 Hz
<b>Insulation System:</b>	220°C (150°C rise) (Optional 115°C and 80°C rise available)
<b>Enclosure Type:</b>	Heavy duty ventilated type 3R Optional type 4, 4X (stainless steel) and 12
<b>Enclosure Finish:</b>	ANSI 61 Grey, UL50
<b>Neutral:</b>	Neutral terminal for field connection (on applicable units)
<b>Standard Primary Taps:</b>	Refer to wiring diagrams for details
<b>Termination:</b>	Front accessible separate high and low voltage terminations, suitable for copper and aluminum are provided for easy cable installation
<b>Thermostat:</b>	Standard on all units
<b>Conduit Knock-Outs:</b>	None
<b>Impedance:</b>	Typically 3 to 6%
<b>Mounting:</b>	Floor mounting only
<b>Short Circuit Withstand:</b>	Meets UL and CSA short circuit withstand requirements.

# SELECTION TABLES

## HPS TRIBUNE

### Drive Isolation Transformers

Listed below are our standard voltages. Other primary and secondary voltages available are 240, 380 and 600



### Aluminum Wound, Three Phase

208 DELTA PRIMARY VOLTS      480Y/277 SECONDARY VOLTS      60 HZ

kVA	Catalog Number	Case Style	Approx. Dimensions - Inches [mm]			Approx. Weight Lbs [kg]	Mtg Type W - Wall F - Floor	Wiring Diagram
			Width	Depth	Height			
7.5	DM007BK	NH5	19.40 [492.76]	20.20 [513.08]	21.50 [546.10]	150.0 [68.0]	F or W *	SCD 8
11	DM011BK	NH5	19.40 [492.76]	20.20 [513.08]	21.50 [546.10]	160.0 [72.0]	F or W *	SCD 8
14	DM014BK	NH5	19.40 [492.76]	20.20 [513.08]	21.50 [546.10]	170.0 [77.0]	F or W *	SCD 8
20	DM020BK	NH6	23.90 [607.06]	25.00 [635.00]	28.75 [730.25]	240.0 [108.0]	F or W *	SCD 7
27	DM027BK	NH6	23.90 [607.06]	25.00 [635.00]	28.75 [730.25]	300.0 [135.0]	F or W *	SCD 7
34	DM034BK	NH6	23.90 [607.06]	25.00 [635.00]	28.75 [730.25]	330.0 [149.0]	F or W *	SCD 7
40	DM040BK	NH6	23.90 [607.06]	25.00 [635.00]	28.75 [730.25]	350.0 [158.0]	F or W *	SCD 7
51	DM051BK	NH6	23.90 [607.06]	25.00 [635.00]	28.75 [730.25]	430.0 [194.0]	F or W *	SCD 7
63	DM063BK	NH3	26.00 [660.40]	25.00 [635.00]	38.00 [965.20]	530.0 [239.0]	F or W *	SCD 7
75	DM075BK	NH3	26.00 [660.40]	25.00 [635.00]	38.00 [965.20]	580.0 [261.0]	F or W *	SCD 7
93	DM093BK	NH3	26.00 [660.40]	25.00 [635.00]	38.00 [965.20]	630.0 [284.0]	F or W *	SCD 7
118	DM118BK	NH3	26.00 [660.40]	25.00 [635.00]	38.00 [965.20]	730.0 [329.0]	F or W *	SCD 7
145	DM145BK	NH4	32.00 [812.80]	29.50 [749.30]	41.00 [1041.40]	830.0 [374.0]	F	SCD 7
175	DM175BK	NH4	32.00 [812.80]	29.50 [749.30]	41.00 [1041.40]	930.0 [419.0]	F	SCD 7
220	DM220BK	NH4	32.00 [812.80]	29.50 [749.30]	41.00 [1041.40]	1350.0 [610.0]	F	SCD 9
275	DM275BK	NJ1	39.50 [1003.30]	34.00 [863.60]	51.50 [1308.10]	1500.0 [680.0]	F	SCD 9
330	DM330BK	NJ1	39.50 [1003.30]	34.00 [863.60]	51.50 [1308.10]	1700.0 [770.0]	F	SCD 9
440	DM440BK	NJ2	48.50 [1231.90]	38.40 [975.36]	59.00 [1498.60]	2100.0 [950.0]	F	SCD 10
550	DM550BK	NJ2	48.50 [1231.90]	38.40 [975.36]	59.00 [1498.60]	2350.0 [1060.0]	F	SCD 10
660	DM660BK	NJ3	51.50 [1308.10]	43.40 [1102.36]	66.00 [1676.40]	2900.0 [1310.0]	F	SCD 10

For shielded units, please add the suffix "S" to the above part numbers. (i.e. DM075BK(S))

\*Wall mounting kit and/or drip plate kit required.

230 DELTA PRIMARY VOLTS      230Y/133 SECONDARY VOLTS      60 HZ

kVA	Catalog Number	Case Style	Approx. Dimensions - Inches [mm]			Approx. Weight Lbs [kg]	Mtg Type W - Wall F - Floor	Wiring Diagram
			Width	Depth	Height			
7.5	DM007CC	NH5	19.40 [492.76]	20.20 [513.08]	21.50 [546.10]	150.0 [68.0]	F or W *	SCD 8
11	DM011CC	NH5	19.40 [492.76]	20.20 [513.08]	21.50 [546.10]	160.0 [72.0]	F or W *	SCD 8
14	DM014CC	NH5	19.40 [492.76]	20.20 [513.08]	21.50 [546.10]	170.0 [77.0]	F or W *	SCD 8
20	DM020CC	NH6	23.90 [607.06]	25.00 [635.00]	28.75 [730.25]	240.0 [108.0]	F or W *	SCD 7
27	DM027CC	NH6	23.90 [607.06]	25.00 [635.00]	28.75 [730.25]	300.0 [135.0]	F or W *	SCD 7
34	DM034CC	NH6	23.90 [607.06]	25.00 [635.00]	28.75 [730.25]	330.0 [149.0]	F or W *	SCD 7
40	DM040CC	NH6	23.90 [607.06]	25.00 [635.00]	28.75 [730.25]	350.0 [158.0]	F or W *	SCD 7
51	DM051CC	NH6	23.90 [607.06]	25.00 [635.00]	28.75 [730.25]	430.0 [194.0]	F or W *	SCD 7
63	DM063CC	NH3	26.00 [660.40]	25.00 [635.00]	38.00 [965.20]	530.0 [239.0]	F or W *	SCD 7
75	DM075CC	NH3	26.00 [660.40]	25.00 [635.00]	38.00 [965.20]	580.0 [261.0]	F or W *	SCD 7
93	DM093CC	NH3	26.00 [660.40]	25.00 [635.00]	38.00 [965.20]	630.0 [284.0]	F or W *	SCD 7
118	DM118CC	NH3	26.00 [660.40]	25.00 [635.00]	38.00 [965.20]	730.0 [329.0]	F or W *	SCD 7
145	DM145CC	NH4	32.00 [812.80]	29.50 [749.30]	41.00 [1041.40]	830.0 [374.0]	F	SCD 7
175	DM175CC	NH4	32.00 [812.80]	29.50 [749.30]	41.00 [1041.40]	930.0 [419.0]	F	SCD 7
220	DM220CC	NH4	32.00 [812.80]	29.50 [749.30]	41.00 [1041.40]	1350.0 [610.0]	F	SCD 9
275	DM275CC	NJ1	39.50 [1003.30]	34.00 [863.60]	51.50 [1308.10]	1500.0 [680.0]	F	SCD 9
330	DM330CC	NJ1	39.50 [1003.30]	34.00 [863.60]	51.50 [1308.10]	1700.0 [770.0]	F	SCD 9
440	DM440CC	NJ2	48.50 [1231.90]	38.40 [975.36]	59.00 [1498.60]	2100.0 [950.0]	F	SCD 10
550	DM550CC	NJ2	48.50 [1231.90]	38.40 [975.36]	59.00 [1498.60]	2350.0 [1060.0]	F	SCD 10
660	DM660CC	NJ3	51.50 [1308.10]	43.40 [1102.36]	66.00 [1676.40]	2900.0 [1310.0]	F	SCD 10

For shielded units, please add the suffix "S" to the above part numbers. (i.e. DM075CC(S))

\*Wall mounting kit and/or drip plate kit required.

Products listed on this page are available as 'CE Mark' products. Please consult our sales office.

# SELECTION TABLES

## HPS TRIBUNE

### Drive Isolation Transformers

Listed below are our standard voltages. Other primary and secondary voltages available are 240, 380 and 600



### Aluminum Wound, Three Phase

460 DELTA PRIMARY VOLTS      230Y/133 SECONDARY VOLTS      60 HZ

kVA	Catalog Number	Case Style	Approx. Dimensions - Inches [mm]			Approx. Weight Lbs [kg]	Mtg Type W - Wall F - Floor	Wiring Diagram
			Width	Depth	Height			
7.5	DM007JC	NH5	19.40 [492.76]	20.20 [513.08]	21.50 [546.10]	150.0 [68.0]	F or W *	SCD 8
11	DM011JC	NH5	19.40 [492.76]	20.20 [513.08]	21.50 [546.10]	160.0 [72.0]	F or W *	SCD 8
14	DM014JC	NH5	19.40 [492.76]	20.20 [513.08]	21.50 [546.10]	170.0 [77.0]	F or W *	SCD 8
20	DM020JC	NH6	23.90 [607.06]	25.00 [635.00]	28.75 [730.25]	240.0 [108.0]	F or W *	SCD 7
27	DM027JC	NH6	23.90 [607.06]	25.00 [635.00]	28.75 [730.25]	300.0 [135.0]	F or W *	SCD 7
34	DM034JC	NH6	23.90 [607.06]	25.00 [635.00]	28.75 [730.25]	330.0 [149.0]	F or W *	SCD 7
40	DM040JC	NH6	23.90 [607.06]	25.00 [635.00]	28.75 [730.25]	350.0 [158.0]	F or W *	SCD 7
51	DM051JC	NH6	23.90 [607.06]	25.00 [635.00]	28.75 [730.25]	430.0 [194.0]	F or W *	SCD 7
63	DM063JC	NH3	26.00 [660.40]	25.00 [635.00]	38.00 [965.20]	530.0 [239.0]	F or W *	SCD 7
75	DM075JC	NH3	26.00 [660.40]	25.00 [635.00]	38.00 [965.20]	580.0 [261.0]	F or W *	SCD 7
93	DM093JC	NH3	26.00 [660.40]	25.00 [635.00]	38.00 [965.20]	630.0 [284.0]	F or W *	SCD 7
118	DM118JC	NH3	26.00 [660.40]	25.00 [635.00]	38.00 [965.20]	730.0 [329.0]	F or W *	SCD 7
145	DM145JC	NH4	32.00 [812.80]	29.50 [749.30]	41.00 [1041.40]	830.0 [374.0]	F	SCD 7
175	DM175JC	NH4	32.00 [812.80]	29.50 [749.30]	41.00 [1041.40]	930.0 [419.0]	F	SCD 7
220	DM220JC	NH4	32.00 [812.80]	29.50 [749.30]	41.00 [1041.40]	1350.0 [610.0]	F	SCD 9
275	DM275JC	NJ1	39.50 [1003.30]	34.00 [863.60]	51.50 [1308.10]	1500.0 [680.0]	F	SCD 9
330	DM330JC	NJ1	39.50 [1003.30]	34.00 [863.60]	51.50 [1308.10]	1700.0 [770.0]	F	SCD 9
440	DM440JC	NJ2	48.50 [1231.90]	38.40 [975.36]	59.00 [1498.60]	2100.0 [950.0]	F	SCD 10
550	DM550JC	NJ2	48.50 [1231.90]	38.40 [975.36]	59.00 [1498.60]	2350.0 [1060.0]	F	SCD 10
660	DM660JC	NJ3	51.50 [1308.10]	43.40 [1102.36]	66.00 [1676.40]	2900.0 [1310.0]	F	SCD 10

For shielded units, please add the suffix "S" to the above part numbers. (i.e. DM075JCS)

\*Wall mounting kit and/or drip plate kit required.

460 DELTA PRIMARY VOLTS      400Y/231 SECONDARY VOLTS      60 HZ

kVA	Catalog Number	Case Style	Approx. Dimensions - Inches [mm]			Approx. Weight Lbs [kg]	Mtg Type W - Wall F - Floor	Wiring Diagram
			Width	Depth	Height			
7.5	DM007JH	NH5	19.40 [492.76]	20.20 [513.08]	21.50 [546.10]	150.0 [68.0]	F or W *	SCD 8
11	DM011JH	NH5	19.40 [492.76]	20.20 [513.08]	21.50 [546.10]	160.0 [72.0]	F or W *	SCD 8
14	DM014JH	NH5	19.40 [492.76]	20.20 [513.08]	21.50 [546.10]	170.0 [77.0]	F or W *	SCD 8
20	DM020JH	NH6	23.90 [607.06]	25.00 [635.00]	28.75 [730.25]	240.0 [108.0]	F or W *	SCD 7
27	DM027JH	NH6	23.90 [607.06]	25.00 [635.00]	28.75 [730.25]	300.0 [135.0]	F or W *	SCD 7
34	DM034JH	NH6	23.90 [607.06]	25.00 [635.00]	28.75 [730.25]	330.0 [149.0]	F or W *	SCD 7
40	DM040JH	NH6	23.90 [607.06]	25.00 [635.00]	28.75 [730.25]	350.0 [158.0]	F or W *	SCD 7
51	DM051JH	NH6	23.90 [607.06]	25.00 [635.00]	28.75 [730.25]	430.0 [194.0]	F or W *	SCD 7
63	DM063JH	NH3	26.00 [660.40]	25.00 [635.00]	38.00 [965.20]	530.0 [239.0]	F or W *	SCD 7
75	DM075JH	NH3	26.00 [660.40]	25.00 [635.00]	38.00 [965.20]	580.0 [261.0]	F or W *	SCD 7
93	DM093JH	NH3	26.00 [660.40]	25.00 [635.00]	38.00 [965.20]	630.0 [284.0]	F or W *	SCD 7
118	DM118JH	NH3	26.00 [660.40]	25.00 [635.00]	38.00 [965.20]	730.0 [329.0]	F or W *	SCD 7
145	DM145JH	NH4	32.00 [812.80]	29.50 [749.30]	41.00 [1041.40]	830.0 [374.0]	F	SCD 7
175	DM175JH	NH4	32.00 [812.80]	29.50 [749.30]	41.00 [1041.40]	930.0 [419.0]	F	SCD 7
220	DM220JH	NH4	32.00 [812.80]	29.50 [749.30]	41.00 [1041.40]	1350.0 [610.0]	F	SCD 9
275	DM275JH	NJ1	39.50 [1003.30]	34.00 [863.60]	51.50 [1308.10]	1500.0 [680.0]	F	SCD 9
330	DM330JH	NJ1	39.50 [1003.30]	34.00 [863.60]	51.50 [1308.10]	1700.0 [770.0]	F	SCD 9
440	DM440JH	NJ2	48.50 [1231.90]	38.40 [975.36]	59.00 [1498.60]	2100.0 [950.0]	F	SCD 10
550	DM550JH	NJ2	48.50 [1231.90]	38.40 [975.36]	59.00 [1498.60]	2350.0 [1060.0]	F	SCD 10
660	DM660JH	NJ3	51.50 [1308.10]	43.40 [1102.36]	66.00 [1676.40]	2900.0 [1310.0]	F	SCD 10

For shielded units, please add the suffix "S" to the above part numbers. (i.e. DM075JHS)

\*Wall mounting kit and/or drip plate kit required.

Products listed on this page are available as 'CE Mark' products. Please consult our sales office.

# SELECTION TABLES

## HPS TRIBUNE

### Drive Isolation Transformers

Listed below are our standard voltages. Other primary and secondary voltages available are 240, 380 and 600



### Aluminum Wound, Three Phase

460 DELTA PRIMARY VOLTS

460Y/266 SECONDARY VOLTS

60 HZ

kVA	Catalog Number	Case Style	Approx. Dimensions - Inches [mm]			Approx. Weight Lbs [kg]	Mtg Type W - Wall F - Floor	Wiring Diagram
			Width	Depth	Height			
7.5	DM007JJ	NH5	19.40 [492.76]	20.20 [513.08]	21.50 [546.10]	150.0 [68.0]	F or W *	SCD 8
11	DM011JJ	NH5	19.40 [492.76]	20.20 [513.08]	21.50 [546.10]	160.0 [72.0]	F or W *	SCD 8
14	DM014JJ	NH5	19.40 [492.76]	20.20 [513.08]	21.50 [546.10]	170.0 [77.0]	F or W *	SCD 8
20	DM020JJ	NH6	23.90 [607.06]	25.00 [635.00]	28.75 [730.25]	240.0 [108.0]	F or W *	SCD 7
27	DM027JJ	NH6	23.90 [607.06]	25.00 [635.00]	28.75 [730.25]	300.0 [135.0]	F or W *	SCD 7
34	DM034JJ	NH6	23.90 [607.06]	25.00 [635.00]	28.75 [730.25]	330.0 [149.0]	F or W *	SCD 7
40	DM040JJ	NH6	23.90 [607.06]	25.00 [635.00]	28.75 [730.25]	350.0 [158.0]	F or W *	SCD 7
51	DM051JJ	NH6	23.90 [607.06]	25.00 [635.00]	28.75 [730.25]	430.0 [194.0]	F or W *	SCD 7
63	DM063JJ	NH3	26.00 [660.40]	25.00 [635.00]	38.00 [965.20]	530.0 [239.0]	F or W *	SCD 7
75	DM075JJ	NH3	26.00 [660.40]	25.00 [635.00]	38.00 [965.20]	580.0 [261.0]	F or W *	SCD 7
93	DM093JJ	NH3	26.00 [660.40]	25.00 [635.00]	38.00 [965.20]	630.0 [284.0]	F or W *	SCD 7
118	DM118JJ	NH3	26.00 [660.40]	25.00 [635.00]	38.00 [965.20]	730.0 [329.0]	F or W *	SCD 7
145	DM145JJ	NH4	32.00 [812.80]	29.50 [749.30]	41.00 [1041.40]	830.0 [374.0]	F	SCD 7
175	DM175JJ	NH4	32.00 [812.80]	29.50 [749.30]	41.00 [1041.40]	930.0 [419.0]	F	SCD 7
220	DM220JJ	NH4	32.00 [812.80]	29.50 [749.30]	41.00 [1041.40]	1350.0 [610.0]	F	SCD 9
275	DM275JJ	NJ1	39.50 [1003.30]	34.00 [863.60]	51.50 [1308.10]	1500.0 [680.0]	F	SCD 9
330	DM330JJ	NJ1	39.50 [1003.30]	34.00 [863.60]	51.50 [1308.10]	1700.0 [770.0]	F	SCD 9
440	DM440JJ	NJ2	48.50 [1231.90]	38.40 [975.36]	59.00 [1498.60]	2100.0 [950.0]	F	SCD 10
550	DM550JJ	NJ2	48.50 [1231.90]	38.40 [975.36]	59.00 [1498.60]	2350.0 [1060.0]	F	SCD 10
660	DM660JJ	NJ3	51.50 [1308.10]	43.40 [1102.36]	66.00 [1676.40]	2900.0 [1310.0]	F	SCD 10

For shielded units, please add the suffix "S" to the above part numbers. (i.e. DM075JJS)

\*Wall mounting kit and/or drip plate kit required.

480 DELTA PRIMARY VOLTS

240Y/139 SECONDARY VOLTS

60 HZ

kVA	Catalog Number	Case Style	Approx. Dimensions - Inches [mm]			Approx. Weight Lbs [kg]	Mtg Type W - Wall F - Floor	Wiring Diagram
			Width	Depth	Height			
7.5	DM007KD	NH5	19.40 [492.76]	20.20 [513.08]	21.50 [546.10]	150.0 [68.0]	F or W *	SCD 8
11	DM011KD	NH5	19.40 [492.76]	20.20 [513.08]	21.50 [546.10]	160.0 [72.0]	F or W *	SCD 8
14	DM014KD	NH5	19.40 [492.76]	20.20 [513.08]	21.50 [546.10]	170.0 [77.0]	F or W *	SCD 8
20	DM020KD	NH6	23.90 [607.06]	25.00 [635.00]	28.75 [730.25]	240.0 [108.0]	F or W *	SCD 7
27	DM027KD	NH6	23.90 [607.06]	25.00 [635.00]	28.75 [730.25]	300.0 [135.0]	F or W *	SCD 7
34	DM034KD	NH6	23.90 [607.06]	25.00 [635.00]	28.75 [730.25]	330.0 [149.0]	F or W *	SCD 7
40	DM040KD	NH6	23.90 [607.06]	25.00 [635.00]	28.75 [730.25]	350.0 [158.0]	F or W *	SCD 7
51	DM051KD	NH6	23.90 [607.06]	25.00 [635.00]	28.75 [730.25]	430.0 [194.0]	F or W *	SCD 7
63	DM063KD	NH3	26.00 [660.40]	25.00 [635.00]	38.00 [965.20]	530.0 [239.0]	F or W *	SCD 7
75	DM075KD	NH3	26.00 [660.40]	25.00 [635.00]	38.00 [965.20]	580.0 [261.0]	F or W *	SCD 7
93	DM093KD	NH3	26.00 [660.40]	25.00 [635.00]	38.00 [965.20]	630.0 [284.0]	F or W *	SCD 7
118	DM118KD	NH3	26.00 [660.40]	25.00 [635.00]	38.00 [965.20]	730.0 [329.0]	F or W *	SCD 7
145	DM145KD	NH4	32.00 [812.80]	29.50 [749.30]	41.00 [1041.40]	830.0 [374.0]	F	SCD 7
175	DM175KD	NH4	32.00 [812.80]	29.50 [749.30]	41.00 [1041.40]	930.0 [419.0]	F	SCD 7
220	DM220KD	NH4	32.00 [812.80]	29.50 [749.30]	41.00 [1041.40]	1350.0 [610.0]	F	SCD 9
275	DM275KD	NJ1	39.50 [1003.30]	34.00 [863.60]	51.50 [1308.10]	1500.0 [680.0]	F	SCD 9
330	DM330KD	NJ1	39.50 [1003.30]	34.00 [863.60]	51.50 [1308.10]	1700.0 [770.0]	F	SCD 9
440	DM440KD	NJ2	48.50 [1231.90]	38.40 [975.36]	59.00 [1498.60]	2100.0 [950.0]	F	SCD 10
550	DM550KD	NJ2	48.50 [1231.90]	38.40 [975.36]	59.00 [1498.60]	2350.0 [1060.0]	F	SCD 10
660	DM660KD	NJ3	51.50 [1308.10]	43.40 [1102.36]	66.00 [1676.40]	2900.0 [1310.0]	F	SCD 10

For shielded units, please add the suffix "S" to the above part numbers. (i.e. DM075KDS)

\*Wall mounting kit and/or drip plate kit required.

Products listed on this page are available as 'CE Mark' products. Please consult our sales office.

# SELECTION TABLES

## HPS TRIBUNE

### Drive Isolation Transformers

Listed below are our standard voltages. Other primary and secondary voltages available are 240, 380 and 600



### Aluminum Wound, Three Phase

480 DELTA PRIMARY VOLTS

480Y/277 SECONDARY VOLTS

60 HZ

kVA	Catalog Number	Case Style	Approx. Dimensions - Inches [mm]			Approx. Weight Lbs [kg]	Mtg Type W - Wall F - Floor	Wiring Diagram
			Width	Depth	Height			
7.5	DM007KK	NH5	19.40 [492.76]	20.20 [513.08]	21.50 [546.10]	150.0 [68.0]	F or W *	SCD 8
11	DM011KK	NH5	19.40 [492.76]	20.20 [513.08]	21.50 [546.10]	160.0 [72.0]	F or W *	SCD 8
14	DM014KK	NH5	19.40 [492.76]	20.20 [513.08]	21.50 [546.10]	170.0 [77.0]	F or W *	SCD 8
20	DM020KK	NH6	23.90 [607.06]	25.00 [635.00]	28.75 [730.25]	240.0 [108.0]	F or W *	SCD 7
27	DM027KK	NH6	23.90 [607.06]	25.00 [635.00]	28.75 [730.25]	300.0 [135.0]	F or W *	SCD 7
34	DM034KK	NH6	23.90 [607.06]	25.00 [635.00]	28.75 [730.25]	330.0 [149.0]	F or W *	SCD 7
40	DM040KK	NH6	23.90 [607.06]	25.00 [635.00]	28.75 [730.25]	350.0 [158.0]	F or W *	SCD 7
51	DM051KK	NH6	23.90 [607.06]	25.00 [635.00]	28.75 [730.25]	430.0 [194.0]	F or W *	SCD 7
63	DM063KK	NH3	26.00 [660.40]	25.00 [635.00]	38.00 [965.20]	530.0 [239.0]	F or W *	SCD 7
75	DM075KK	NH3	26.00 [660.40]	25.00 [635.00]	38.00 [965.20]	580.0 [261.0]	F or W *	SCD 7
93	DM093KK	NH3	26.00 [660.40]	25.00 [635.00]	38.00 [965.20]	630.0 [284.0]	F or W *	SCD 7
118	DM118KK	NH3	26.00 [660.40]	25.00 [635.00]	38.00 [965.20]	730.0 [329.0]	F or W *	SCD 7
145	DM145KK	NH4	32.00 [812.80]	29.50 [749.30]	41.00 [1041.40]	830.0 [374.0]	F	SCD 7
175	DM175KK	NH4	32.00 [812.80]	29.50 [749.30]	41.00 [1041.40]	930.0 [419.0]	F	SCD 7
220	DM220KK	NH4	32.00 [812.80]	29.50 [749.30]	41.00 [1041.40]	1350.0 [610.0]	F	SCD 9
275	DM275KK	NJ1	39.50 [1003.30]	34.00 [863.60]	51.50 [1308.10]	1500.0 [680.0]	F	SCD 9
330	DM330KK	NJ1	39.50 [1003.30]	34.00 [863.60]	51.50 [1308.10]	1700.0 [770.0]	F	SCD 9
440	DM440KK	NJ2	48.50 [1231.90]	38.40 [975.36]	59.00 [1498.60]	2100.0 [950.0]	F	SCD 10
550	DM550KK	NJ2	48.50 [1231.90]	38.40 [975.36]	59.00 [1498.60]	2350.0 [1060.0]	F	SCD 10
660	DM660KK	NJ3	51.50 [1308.10]	43.40 [1102.36]	66.00 [1676.40]	2900.0 [1310.0]	F	SCD 10

For shielded units, please add the suffix "S" to the above part numbers. (i.e. DM075KKS)

\*Wall mounting kit and/or drip plate kit required.

575 DELTA PRIMARY VOLTS

460Y/266 SECONDARY VOLTS

60 HZ

kVA	Catalog Number	Case Style	Approx. Dimensions - Inches [mm]			Approx. Weight Lbs [kg]	Mtg Type W - Wall F - Floor	Wiring Diagram
			Width	Depth	Height			
7.5	DM007NJ	NH5	19.40 [492.76]	20.20 [513.08]	21.50 [546.10]	150.0 [68.0]	F or W *	SCD 8
11	DM011NJ	NH5	19.40 [492.76]	20.20 [513.08]	21.50 [546.10]	160.0 [72.0]	F or W *	SCD 8
14	DM014NJ	NH5	19.40 [492.76]	20.20 [513.08]	21.50 [546.10]	170.0 [77.0]	F or W *	SCD 8
20	DM020NJ	NH6	23.90 [607.06]	25.00 [635.00]	28.75 [730.25]	240.0 [108.0]	F or W *	SCD 7
27	DM027NJ	NH6	23.90 [607.06]	25.00 [635.00]	28.75 [730.25]	300.0 [135.0]	F or W *	SCD 7
34	DM034NJ	NH6	23.90 [607.06]	25.00 [635.00]	28.75 [730.25]	330.0 [149.0]	F or W *	SCD 7
40	DM040NJ	NH6	23.90 [607.06]	25.00 [635.00]	28.75 [730.25]	350.0 [158.0]	F or W *	SCD 7
51	DM051NJ	NH6	23.90 [607.06]	25.00 [635.00]	28.75 [730.25]	430.0 [194.0]	F or W *	SCD 7
63	DM063NJ	NH3	26.00 [660.40]	25.00 [635.00]	38.00 [965.20]	530.0 [239.0]	F or W *	SCD 7
75	DM075NJ	NH3	26.00 [660.40]	25.00 [635.00]	38.00 [965.20]	580.0 [261.0]	F or W *	SCD 7
93	DM093NJ	NH3	26.00 [660.40]	25.00 [635.00]	38.00 [965.20]	630.0 [284.0]	F or W *	SCD 7
118	DM118NJ	NH3	26.00 [660.40]	25.00 [635.00]	38.00 [965.20]	730.0 [329.0]	F or W *	SCD 7
145	DM145NJ	NH4	32.00 [812.80]	29.50 [749.30]	41.00 [1041.40]	830.0 [374.0]	F	SCD 7
175	DM175NJ	NH4	32.00 [812.80]	29.50 [749.30]	41.00 [1041.40]	930.0 [419.0]	F	SCD 7
220	DM220NJ	NH4	32.00 [812.80]	29.50 [749.30]	41.00 [1041.40]	1350.0 [610.0]	F	SCD 9
275	DM275NJ	NJ1	39.50 [1003.30]	34.00 [863.60]	51.50 [1308.10]	1500.0 [680.0]	F	SCD 9
330	DM330NJ	NJ1	39.50 [1003.30]	34.00 [863.60]	51.50 [1308.10]	1700.0 [770.0]	F	SCD 9
440	DM440NJ	NJ2	48.50 [1231.90]	38.40 [975.36]	59.00 [1498.60]	2100.0 [950.0]	F	SCD 10
550	DM550NJ	NJ2	48.50 [1231.90]	38.40 [975.36]	59.00 [1498.60]	2350.0 [1060.0]	F	SCD 10
660	DM660NJ	NJ3	51.50 [1308.10]	43.40 [1102.36]	66.00 [1676.40]	2900.0 [1310.0]	F	SCD 10

For shielded units, please add the suffix "S" to the above part numbers. (i.e. DM075NJS)

\*Wall mounting kit and/or drip plate kit required.

Products listed on this page are available as 'CE Mark' products. Please consult our sales office.

# SELECTION TABLES

## HPS TRIBUNE

### Drive Isolation Transformers

Listed below are our standard voltages. Other primary and secondary voltages available are 240, 380 and 600



### Copper Wound, Three Phase

460 DELTA PRIMARY VOLTS      400Y/231 SECONDARY VOLTS      60 HZ

kVA	Catalog Number	Case Style	Approx. Dimensions - Inches [mm]			Approx. Weight Lbs [kg]	Mtg Type W - Wall F - Floor	Wiring Diagram
			Width	Depth	Height			
7.5	DM007JHCN	NH5	19.40 [492.76]	20.20 [513.08]	21.50 [546.10]	150.0 [68.0]	F or W *	SCD 8
11	DM011JHCN	NH5	19.40 [492.76]	20.20 [513.08]	21.50 [546.10]	170.0 [77.0]	F or W *	SCD 8
14	DM014JHCN	NH5	19.40 [492.76]	20.20 [513.08]	21.50 [546.10]	210.0 [95.0]	F or W *	SCD 8
20	DM020JHCN	NH6	23.90 [607.06]	25.00 [635.00]	28.75 [730.25]	270.0 [122.0]	F or W *	SCD 7
27	DM027JHCN	NH6	23.90 [607.06]	25.00 [635.00]	28.75 [730.25]	330.0 [149.0]	F or W *	SCD 7
34	DM034JHC	NH6	23.90 [607.06]	25.00 [635.00]	28.75 [730.25]	350.0 [158.0]	F or W *	SCD 7
40	DM040JHC	NH6	23.90 [607.06]	25.00 [635.00]	28.75 [730.25]	380.0 [171.0]	F or W *	SCD 7
51	DM051JHC	NH6	23.90 [607.06]	25.00 [635.00]	28.75 [730.25]	450.0 [203.0]	F or W *	SCD 7
63	DM063JHC	NH3	26.00 [660.40]	25.00 [635.00]	38.00 [965.20]	550.0 [248.0]	F or W *	SCD 7
75	DM075JHC	NH3	26.00 [660.40]	25.00 [635.00]	38.00 [965.20]	600.0 [270.0]	F or W *	SCD 7
93	DM093JHC	NH3	26.00 [660.40]	25.00 [635.00]	38.00 [965.20]	630.0 [284.0]	F or W *	SCD 7
118	DM118JHC	NH3	26.00 [660.40]	25.00 [635.00]	38.00 [965.20]	880.0 [396.0]	F	SCD 7
145	DM145JHC	NH4	32.00 [812.80]	29.50 [749.30]	41.00 [1041.40]	930.0 [419.0]	F	SCD 7
175	DM175JHC	NH4	32.00 [812.80]	29.50 [749.30]	41.00 [1041.40]	1100.0 [500.0]	F	SCD 7
220	DM220JHC	NH4	32.00 [812.80]	29.50 [749.30]	41.00 [1041.40]	1450.0 [650.0]	F	SCD 9
275	DM275JHC	NJ1	39.50 [1003.30]	34.00 [863.60]	51.50 [1308.10]	1680.0 [760.0]	F	SCD 9
330	DM330JHC	NJ1	39.50 [1003.30]	34.00 [863.60]	51.50 [1308.10]	1850.0 [830.0]	F	SCD 9
440	DM440JHC	NJ2	48.50 [1231.90]	38.40 [975.36]	59.00 [1498.60]	2350.0 [1060.0]	F	SCD 10
550	DM550JHC	NJ2	48.50 [1231.90]	38.40 [975.36]	59.00 [1498.60]	2800.0 [1260.0]	F	SCD 10
660	DM660JHC	NJ3	51.50 [1308.10]	43.40 [1102.36]	66.00 [1676.40]	3250.0 [1460.0]	F	SCD 10

For shielded units, please add the suffix "C" with a "K" on the above part numbers. (i.e. DM075JHK)

\*Wall mounting kit and/or drip plate kit required.

460 DELTA PRIMARY VOLTS      460Y/266 SECONDARY VOLTS      60 HZ

kVA	Catalog Number	Case Style	Approx. Dimensions - Inches [mm]			Approx. Weight Lbs [kg]	Mtg Type W - Wall F - Floor	Wiring Diagram
			Width	Depth	Height			
7.5	DM007JJCN	NH5	19.40 [492.76]	20.20 [513.08]	21.50 [546.10]	150.0 [68.0]	F or W *	SCD 8
11	DM011JJCN	NH5	19.40 [492.76]	20.20 [513.08]	21.50 [546.10]	170.0 [77.0]	F or W *	SCD 8
14	DM014JJCN	NH5	19.40 [492.76]	20.20 [513.08]	21.50 [546.10]	210.0 [95.0]	F or W *	SCD 8
20	DM020JJCN	NH6	23.90 [607.06]	25.00 [635.00]	28.75 [730.25]	270.0 [122.0]	F or W *	SCD 7
27	DM027JJCN	NH6	23.90 [607.06]	25.00 [635.00]	28.75 [730.25]	330.0 [149.0]	F or W *	SCD 7
34	DM034JJC	NH6	23.90 [607.06]	25.00 [635.00]	28.75 [730.25]	350.0 [158.0]	F or W *	SCD 7
40	DM040JJC	NH6	23.90 [607.06]	25.00 [635.00]	28.75 [730.25]	380.0 [171.0]	F or W *	SCD 7
51	DM051JJC	NH6	23.90 [607.06]	25.00 [635.00]	28.75 [730.25]	450.0 [203.0]	F or W *	SCD 7
63	DM063JJC	NH3	26.00 [660.40]	25.00 [635.00]	38.00 [965.20]	550.0 [248.0]	F or W *	SCD 7
75	DM075JJC	NH3	26.00 [660.40]	25.00 [635.00]	38.00 [965.20]	600.0 [270.0]	F or W *	SCD 7
93	DM093JJC	NH3	26.00 [660.40]	25.00 [635.00]	38.00 [965.20]	630.0 [284.0]	F or W *	SCD 7
118	DM118JJC	NH3	26.00 [660.40]	25.00 [635.00]	38.00 [965.20]	880.0 [396.0]	F	SCD 7
145	DM145JJC	NH4	32.00 [812.80]	29.50 [749.30]	41.00 [1041.40]	930.0 [419.0]	F	SCD 7
175	DM175JJC	NH4	32.00 [812.80]	29.50 [749.30]	41.00 [1041.40]	1100.0 [500.0]	F	SCD 7
220	DM220JJC	NH4	32.00 [812.80]	29.50 [749.30]	41.00 [1041.40]	1450.0 [650.0]	F	SCD 9
275	DM275JJC	NJ1	39.50 [1003.30]	34.00 [863.60]	51.50 [1308.10]	1680.0 [760.0]	F	SCD 9
330	DM330JJC	NJ1	39.50 [1003.30]	34.00 [863.60]	51.50 [1308.10]	1850.0 [830.0]	F	SCD 9
440	DM440JJC	NJ2	48.50 [1231.90]	38.40 [975.36]	59.00 [1498.60]	2350.0 [1060.0]	F	SCD 10
550	DM550JJC	NJ2	48.50 [1231.90]	38.40 [975.36]	59.00 [1498.60]	2800.0 [1260.0]	F	SCD 10
660	DM660JJC	NJ3	51.50 [1308.10]	43.40 [1102.36]	66.00 [1676.40]	3250.0 [1460.0]	F	SCD 10

For shielded units, please add the suffix "C" with a "K" to the above part numbers. (i.e. DM075JJK)

\*Wall mounting kit and/or drip plate kit required.

Products listed on this page are available as 'CE Mark' products. Please consult our sales office.

# SELECTION TABLES

## HPS TRIBUNE

### Drive Isolation Transformers

Listed below are our standard voltages. Other primary and secondary voltages available are 240, 380 and 600



### Copper Wound, Three Phase

480 DELTA PRIMARY VOLTS

240Y139 SECONDARY VOLTS

60 HZ

kVA	Catalog Number	Case Style	Approx. Dimensions - Inches [mm]			Approx. Weight Lbs [kg]	Mtg Type W - Wall F - Floor	Wiring Diagram
			Width	Depth	Height			
7.5	DM007KDCN	NH5	19.40 [492.76]	20.20 [513.08]	21.50 [546.10]	150.0 [68.0]	F or W *	SCD 8
11	DM011KDCN	NH5	19.40 [492.76]	20.20 [513.08]	21.50 [546.10]	170.0 [77.0]	F or W *	SCD 8
14	DM014KDCN	NH5	19.40 [492.76]	20.20 [513.08]	21.50 [546.10]	210.0 [95.0]	F or W *	SCD 8
20	DM020KDCN	NH6	23.90 [607.06]	25.00 [635.00]	28.75 [730.25]	270.0 [122.0]	F or W *	SCD 7
27	DM027KDCN	NH6	23.90 [607.06]	25.00 [635.00]	28.75 [730.25]	330.0 [149.0]	F or W *	SCD 7
34	DM034KDCN	NH6	23.90 [607.06]	25.00 [635.00]	28.75 [730.25]	350.0 [158.0]	F or W *	SCD 7
40	DM040KDC	NH6	23.90 [607.06]	25.00 [635.00]	28.75 [730.25]	380.0 [171.0]	F or W *	SCD 7
51	DM051KDC	NH6	23.90 [607.06]	25.00 [635.00]	28.75 [730.25]	450.0 [203.0]	F or W *	SCD 7
63	DM063KDC	NH3	26.00 [660.40]	25.00 [635.00]	38.00 [965.20]	550.0 [248.0]	F or W *	SCD 7
75	DM075KDC	NH3	26.00 [660.40]	25.00 [635.00]	38.00 [965.20]	600.0 [270.0]	F or W *	SCD 7
93	DM093KDC	NH3	26.00 [660.40]	25.00 [635.00]	38.00 [965.20]	630.0 [284.0]	F or W *	SCD 7
118	DM118KDC	NH3	26.00 [660.40]	25.00 [635.00]	38.00 [965.20]	880.0 [396.0]	F	SCD 7
145	DM145KDC	NH4	32.00 [812.80]	29.50 [749.30]	41.00 [1041.40]	930.0 [419.0]	F	SCD 7
175	DM175KDC	NH4	32.00 [812.80]	29.50 [749.30]	41.00 [1041.40]	1100.0 [500.0]	F	SCD 7
220	DM220KDC	NH4	32.00 [812.80]	29.50 [749.30]	41.00 [1041.40]	1450.0 [650.0]	F	SCD 9
275	DM275KDC	NJ1	39.50 [1003.30]	34.00 [863.60]	51.50 [1308.10]	1680.0 [760.0]	F	SCD 9
330	DM330KDC	NJ1	39.50 [1003.30]	34.00 [863.60]	51.50 [1308.10]	1850.0 [830.0]	F	SCD 9
440	DM440KDC	NJ2	48.50 [1231.90]	38.40 [975.36]	59.00 [1498.60]	2350.0 [1060.0]	F	SCD 10
550	DM550KDC	NJ2	48.50 [1231.90]	38.40 [975.36]	59.00 [1498.60]	2800.0 [1260.0]	F	SCD 10
660	DM660KDC	NJ3	51.50 [1308.10]	43.40 [1102.36]	66.00 [1676.40]	3250.0 [1460.0]	F	SCD 10

For shielded units, please add the suffix "C" with a "K" on the above part numbers. (i.e. DM075KDK)

\*Wall mounting kit and/or drip plate kit required.

480 DELTA PRIMARY VOLTS

480Y/277 SECONDARY VOLTS

60 HZ

kVA	Catalog Number	Case Style	Approx. Dimensions - Inches [mm]			Approx. Weight Lbs [kg]	Mtg Type W - Wall F - Floor	Wiring Diagram
			Width	Depth	Height			
7.5	DM007KKCN	NH5	19.40 [492.76]	20.20 [513.08]	21.50 [546.10]	150.0 [68.0]	F or W *	SCD 8
11	DM011KKCN	NH5	19.40 [492.76]	20.20 [513.08]	21.50 [546.10]	170.0 [77.0]	F or W *	SCD 8
14	DM014KKCN	NH5	19.40 [492.76]	20.20 [513.08]	21.50 [546.10]	210.0 [95.0]	F or W *	SCD 8
20	DM020KKCN	NH6	23.90 [607.06]	25.00 [635.00]	28.75 [730.25]	270.0 [122.0]	F or W *	SCD 7
27	DM027KKCN	NH6	23.90 [607.06]	25.00 [635.00]	28.75 [730.25]	330.0 [149.0]	F or W *	SCD 7
34	DM034KKCN	NH6	23.90 [607.06]	25.00 [635.00]	28.75 [730.25]	350.0 [158.0]	F or W *	SCD 7
40	DM040KKC	NH6	23.90 [607.06]	25.00 [635.00]	28.75 [730.25]	380.0 [171.0]	F or W *	SCD 7
51	DM051KKC	NH6	23.90 [607.06]	25.00 [635.00]	28.75 [730.25]	450.0 [203.0]	F or W *	SCD 7
63	DM063KKC	NH3	26.00 [660.40]	25.00 [635.00]	38.00 [965.20]	550.0 [248.0]	F or W *	SCD 7
75	DM075KKC	NH3	26.00 [660.40]	25.00 [635.00]	38.00 [965.20]	600.0 [270.0]	F or W *	SCD 7
93	DM093KKC	NH3	26.00 [660.40]	25.00 [635.00]	38.00 [965.20]	630.0 [284.0]	F or W *	SCD 7
118	DM118KKC	NH3	26.00 [660.40]	25.00 [635.00]	38.00 [965.20]	880.0 [396.0]	F	SCD 7
145	DM145KKC	NH4	32.00 [812.80]	29.50 [749.30]	41.00 [1041.40]	930.0 [419.0]	F	SCD 7
175	DM175KKC	NH4	32.00 [812.80]	29.50 [749.30]	41.00 [1041.40]	1100.0 [500.0]	F	SCD 7
220	DM220KKC	NH4	32.00 [812.80]	29.50 [749.30]	41.00 [1041.40]	1450.0 [650.0]	F	SCD 9
275	DM275KKC	NJ1	39.50 [1003.30]	34.00 [863.60]	51.50 [1308.10]	1680.0 [760.0]	F	SCD 9
330	DM330KKC	NJ1	39.50 [1003.30]	34.00 [863.60]	51.50 [1308.10]	1850.0 [830.0]	F	SCD 9
440	DM440KKC	NJ2	48.50 [1231.90]	38.40 [975.36]	59.00 [1498.60]	2350.0 [1060.0]	F	SCD 10
550	DM550KKC	NJ2	48.50 [1231.90]	38.40 [975.36]	59.00 [1498.60]	2800.0 [1260.0]	F	SCD 10
660	DM660KKC	NJ3	51.50 [1308.10]	43.40 [1102.36]	66.00 [1676.40]	3250.0 [1460.0]	F	SCD 10

For shielded units, please add the suffix "C" with a "K" on the above part numbers. (i.e. DM075KKK)

\*Wall mounting kit and/or drip plate kit required.

# SELECTION TABLES

## HPS TRIBUNE

### Drive Isolation Transformers

Listed below are our standard voltages. Other primary and secondary voltages available are 240, 380 and 600



### Copper Wound, Three Phase

575 DELTA PRIMARY VOLTS

460Y/266 SECONDARY VOLTS

60 HZ

kVA	Catalog Number	Case Style	Approx. Dimensions - Inches [mm]			Approx. Weight Lbs [kg]	Mtg Type W - Wall F - Floor	Wiring Diagram
			Width	Depth	Height			
7.5	DM007NJCN	NH5	19.40 [492.76]	20.20 [513.08]	21.50 [546.10]	150.0 [68.0]	F or W *	SCD 8
11	DM011NJCN	NH5	19.40 [492.76]	20.20 [513.08]	21.50 [546.10]	170.0 [77.0]	F or W *	SCD 8
14	DM014NJCN	NH5	19.40 [492.76]	20.20 [513.08]	21.50 [546.10]	210.0 [95.0]	F or W *	SCD 8
20	DM020NJCN	NH6	23.90 [607.06]	25.00 [635.00]	28.75 [730.25]	270.0 [122.0]	F or W *	SCD 7
27	DM027NJCN	NH6	23.90 [607.06]	25.00 [635.00]	28.75 [730.25]	330.0 [149.0]	F or W *	SCD 7
34	DM034NJCN	NH6	23.90 [607.06]	25.00 [635.00]	28.75 [730.25]	350.0 [158.0]	F or W *	SCD 7
40	DM040NJCN	NH6	23.90 [607.06]	25.00 [635.00]	28.75 [730.25]	380.0 [171.0]	F or W *	SCD 7
51	DM051NJC	NH6	23.90 [607.06]	25.00 [635.00]	28.75 [730.25]	450.0 [203.0]	F or W *	SCD 7
63	DM063NJC	NH3	26.00 [660.40]	25.00 [635.00]	38.00 [965.20]	550.0 [248.0]	F or W *	SCD 7
75	DM075NJC	NH3	26.00 [660.40]	25.00 [635.00]	38.00 [965.20]	600.0 [270.0]	F or W *	SCD 7
93	DM093NJC	NH3	26.00 [660.40]	25.00 [635.00]	38.00 [965.20]	630.0 [284.0]	F or W *	SCD 7
118	DM118NJC	NH3	26.00 [660.40]	25.00 [635.00]	38.00 [965.20]	880.0 [396.0]	F	SCD 7
145	DM145NJC	NH4	32.00 [812.80]	29.50 [749.30]	41.00 [1041.40]	930.0 [419.0]	F	SCD 7
175	DM175NJC	NH4	32.00 [812.80]	29.50 [749.30]	41.00 [1041.40]	1100.0 [500.0]	F	SCD 7
220	DM220NJC	NH4	32.00 [812.80]	29.50 [749.30]	41.00 [1041.40]	1450.0 [650.0]	F	SCD 9
275	DM275NJC	NJ1	39.50 [1003.30]	34.00 [863.60]	51.50 [1308.10]	1680.0 [760.0]	F	SCD 9
330	DM330NJC	NJ1	39.50 [1003.30]	34.00 [863.60]	51.50 [1308.10]	1850.0 [830.0]	F	SCD 9
440	DM440NJC	NJ2	48.50 [1231.90]	38.40 [975.36]	59.00 [1498.60]	2350.0 [1060.0]	F	SCD 10
550	DM550NJC	NJ2	48.50 [1231.90]	38.40 [975.36]	59.00 [1498.60]	2800.0 [1260.0]	F	SCD 10
660	DM660NJC	NJ3	51.50 [1308.10]	43.40 [1102.36]	66.00 [1676.40]	3250.0 [1460.0]	F	SCD 10

For shielded units, please add the suffix "C" with a "K" on the above part numbers. (i.e. DM075NJK)

\*WALL MOUNTING KIT AND/OR DRIP PLATE KIT REQUIRED.

575 DELTA PRIMARY VOLTS

575Y/332 SECONDARY VOLTS

60 HZ

kVA	Catalog Number	Case Style	Approx. Dimensions - Inches [mm]			Approx. Weight Lbs [kg]	Mtg Type W - Wall F - Floor	Wiring Diagram
			Width	Depth	Height			
7.5	DM007NNCN	NH5	19.40 [492.76]	20.20 [513.08]	21.50 [546.10]	150.0 [68.0]	F or W *	SCD 8
11	DM011NNCN	NH5	19.40 [492.76]	20.20 [513.08]	21.50 [546.10]	170.0 [77.0]	F or W *	SCD 8
14	DM014NNCN	NH5	19.40 [492.76]	20.20 [513.08]	21.50 [546.10]	210.0 [95.0]	F or W *	SCD 8
20	DM020NNCN	NH6	23.90 [607.06]	25.00 [635.00]	28.75 [730.25]	270.0 [122.0]	F or W *	SCD 7
27	DM027NNCN	NH6	23.90 [607.06]	25.00 [635.00]	28.75 [730.25]	330.0 [149.0]	F or W *	SCD 7
34	DM034NNCN	NH6	23.90 [607.06]	25.00 [635.00]	28.75 [730.25]	350.0 [158.0]	F or W *	SCD 7
40	DM040NNCN	NH6	23.90 [607.06]	25.00 [635.00]	28.75 [730.25]	380.0 [171.0]	F or W *	SCD 7
51	DM051NNC	NH6	23.90 [607.06]	25.00 [635.00]	28.75 [730.25]	450.0 [203.0]	F or W *	SCD 7
63	DM063NNC	NH3	26.00 [660.40]	25.00 [635.00]	38.00 [965.20]	550.0 [248.0]	F or W *	SCD 7
75	DM075NNC	NH3	26.00 [660.40]	25.00 [635.00]	38.00 [965.20]	600.0 [270.0]	F or W *	SCD 7
93	DM093NNC	NH3	26.00 [660.40]	25.00 [635.00]	38.00 [965.20]	630.0 [284.0]	F or W *	SCD 7
118	DM118NNC	NH3	26.00 [660.40]	25.00 [635.00]	38.00 [965.20]	880.0 [396.0]	F	SCD 7
145	DM145NNC	NH4	32.00 [812.80]	29.50 [749.30]	41.00 [1041.40]	930.0 [419.0]	F	SCD 7
175	DM175NNC	NH4	32.00 [812.80]	29.50 [749.30]	41.00 [1041.40]	1100.0 [500.0]	F	SCD 7
220	DM220NNC	NH4	32.00 [812.80]	29.50 [749.30]	41.00 [1041.40]	1450.0 [650.0]	F	SCD 9
275	DM275NNC	NJ1	39.50 [1003.30]	34.00 [863.60]	51.50 [1308.10]	1680.0 [760.0]	F	SCD 9
330	DM330NNC	NJ1	39.50 [1003.30]	34.00 [863.60]	51.50 [1308.10]	1850.0 [830.0]	F	SCD 9
440	DM440NNC	NJ2	48.50 [1231.90]	38.40 [975.36]	59.00 [1498.60]	2350.0 [1060.0]	F	SCD 10
550	DM550NNC	NJ2	48.50 [1231.90]	38.40 [975.36]	59.00 [1498.60]	2800.0 [1260.0]	F	SCD 10
660	DM660NNC	NJ3	51.50 [1308.10]	43.40 [1102.36]	66.00 [1676.40]	3250.0 [1460.0]	F	SCD 10

For shielded units, please add the suffix "C" with a "K" on the above part numbers. (i.e. DM075NNK)

\*WALL MOUNTING KIT AND/OR DRIP PLATE KIT REQUIRED.

Products listed on this page are available as 'CE Mark' products. Please consult our sales office.

# TERMINATION DETAILS

## THREE PHASE, ALUMINUM AND COPPER TERMINATION - LUGS OR PADS

kVA	Voltage							
	208	230	240	380	460	480	575	600
7.5	Lugs	Lugs	Lugs	Lugs	Lugs	Lugs	Lugs	Lugs
11	Lugs	Lugs	Lugs	Lugs	Lugs	Lugs	Lugs	Lugs
14	Lugs	Lugs	Lugs	Lugs	Lugs	Lugs	Lugs	Lugs
20	Lugs	Lugs	Lugs	Lugs	Lugs	Lugs	Lugs	Lugs
27	Lugs	Lugs	Lugs	Lugs	Lugs	Lugs	Lugs	Lugs
34	Lugs	Lugs	Lugs	Lugs	Lugs	Lugs	Lugs	Lugs
40	Lugs	Lugs	Lugs	Lugs	Lugs	Lugs	Lugs	Lugs
51	Lugs	Lugs	Lugs	Lugs	Lugs	Lugs	Lugs	Lugs
63	Lugs	Lugs	Lugs	Lugs	Lugs	Lugs	Lugs	Lugs
75	Lugs	Lugs	Lugs	Lugs	Lugs	Lugs	Lugs	Lugs
93	Lugs	Lugs	Lugs	Lugs	Lugs	Lugs	Lugs	Lugs
118	Diagram 1A	Diagram 1A	Diagram 1A	Lugs	Lugs	Lugs	Lugs	Lugs
145	Diagram 1A	Diagram 1A	Diagram 1A	Lugs	Lugs	Lugs	Lugs	Lugs
175	Diagram 1A	Diagram 1A	Diagram 1A	Lugs	Lugs	Lugs	Lugs	Lugs
220	Diagram 2	Diagram 1A	Diagram 1A	Diagram 1A	Diagram 1A	Lugs	Lugs	Lugs
275	Diagram 2	Diagram 2	Diagram 2	Diagram 1A	Diagram 1A	Diagram 1A	Diagram 1A	Lugs
330	Diagram 2	Diagram 2	Diagram 2	Diagram 1A	Diagram 1A	Diagram 1A	Diagram 1A	Diagram 1A
440	Diagram 3	Diagram 3	Diagram 3	Diagram 2	Diagram 1A	Diagram 1A	Diagram 1A	Diagram 1A
550	Diagram 3	Diagram 3	Diagram 3	Diagram 2	Diagram 2	Diagram 2	Diagram 1A	Diagram 1A
660	Diagram 3	Diagram 3	Diagram 3	Diagram 3	Diagram 2	Diagram 2	Diagram 2	Diagram 2

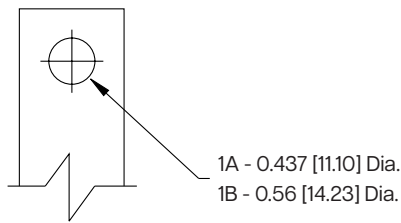


DIAGRAM 1

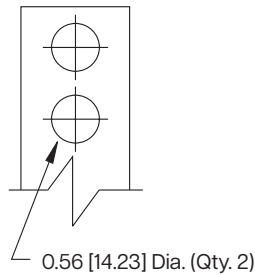


DIAGRAM 2

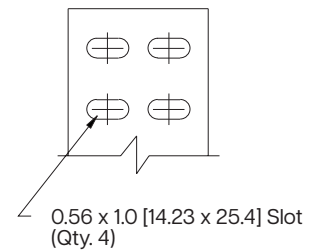
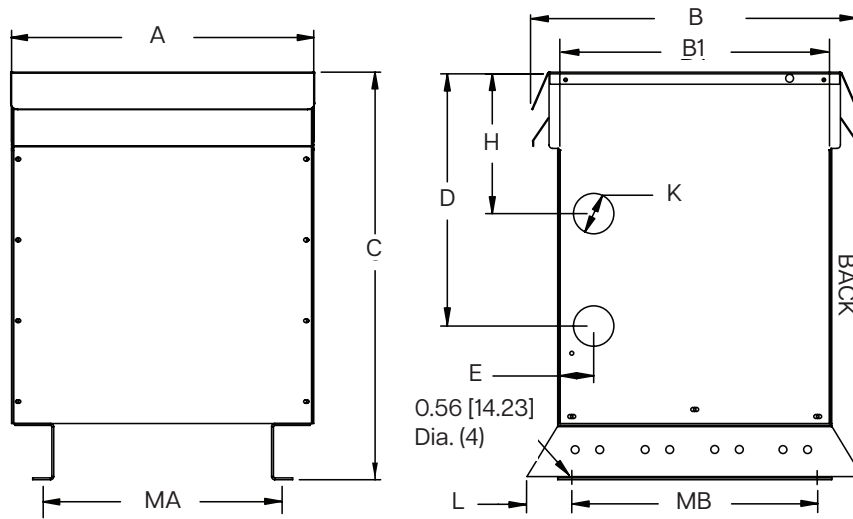


DIAGRAM 3

Dimensions in Inches

# ENCLOSURE DRAWINGS

## TYPE 3R ENCLOSURE DIMENSIONAL DRAWINGS - 'NH' SERIES ENCLOSURES



FRONT VIEW

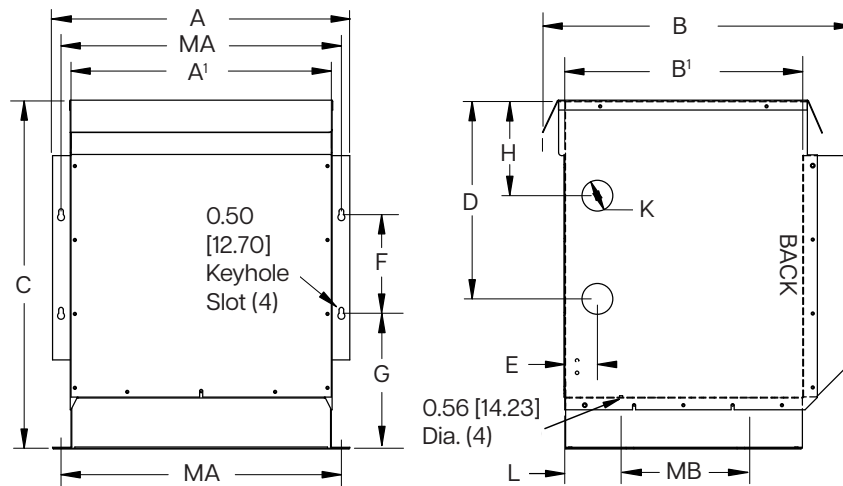
All Dimensions in Inches

SIDE VIEW

Case Style	Dimensions in Inches [Millimeter]										
	A	B	B <sup>1</sup>	C	D	E	H	K <sup>1</sup>	L	MA	MB
NH3	26.00 [660.40]	25.00 [635.00]	24.00 [609.60]	38.00 [965.20]	24.00 [609.60]	2.50 [63.50]	14.00 [355.60]	2.00 x 3.00 [50.8 x 76.2]	2.50 [63.50]	21.50 [546.10]	19.00 [482.60]
NH4	32.00 [812.80]	29.50 [749.30]	28.50 [723.90]	41.00 [1041.40]	24.00 [609.60]	2.50 [63.50]	12.00 [304.80]	2.00 x 3.00 [50.8 x 76.2]	2.50 [63.50]	23.50 [596.90]	23.50 [596.90]

Note: Mounting hole dimension is 0.56 [14.23] diameter.

<sup>1</sup> Knockout (K) sizes are actual diameters of knockout, not conduit sizes.



FRONT VIEW

All Dimensions in Inches

SIDE VIEW

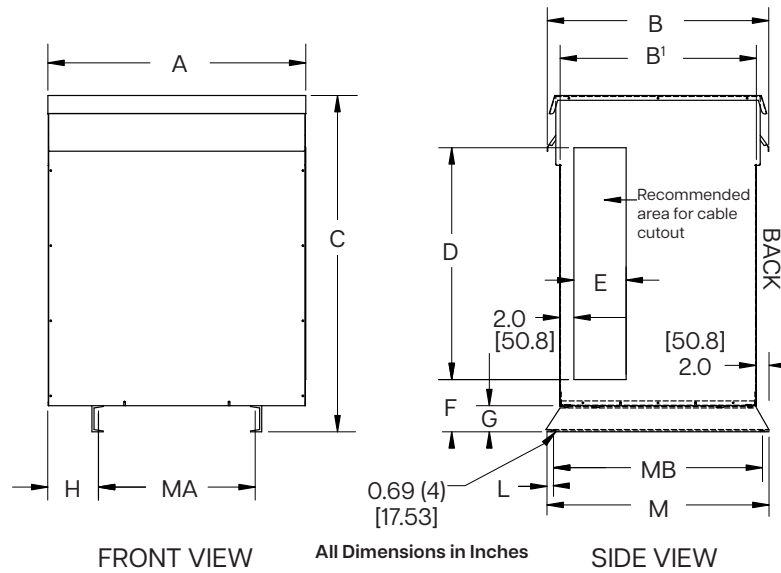
Case Style	Dimensions in Inches [Millimeter]													
	A	A <sup>1</sup>	B	B <sup>1</sup>	C	D	E	F	G	H	K <sup>1</sup>	L	MA	MB
NH5	19.40 [492.76]	16.75 [425.45]	20.20 [513.08]	15.00 [381.00]	21.50 [546.10]	12.00 [304.80]	2.00 [50.80]	7.00 [177.80]	7.81 [198.38]	6.00 [152.40]	1.38 x 1.75 [35.06 x 44.45]	2.80 [71.12]	18.00 [457.20]	9.00 [228.60]
NH6	23.90 [607.06]	21.50 [546.10]	25.00 [635.00]	19.50 [495.30]	28.75 [730.25]	17.00 [431.80]	2.00 [50.80]	8.00 [203.20]	10.29 [261.37]	8.50 [215.90]	1.38 x 2.50 [35.06 x 63.5]	5.20 [132.08]	22.75 [577.85]	9.00 [228.60]

Note: Mounting hole dimension is 0.56 [14.23] diameter.

<sup>1</sup> Knockout (K) sizes are actual diameters of knockout, not conduit sizes.

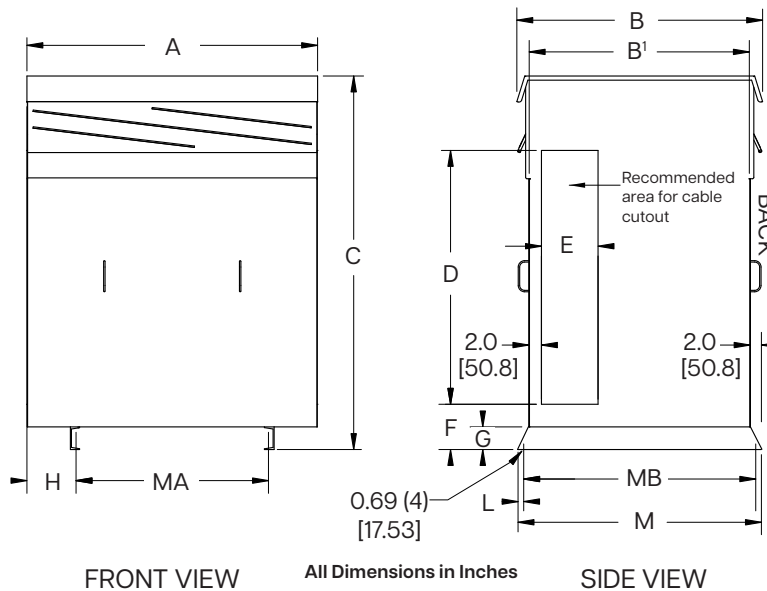
# ENCLOSURE DRAWINGS

## TYPE 3R ENCLOSURE DIMENSIONAL DRAWINGS - 'NJ' SERIES ENCLOSURES



Case Style	Dimensions in Inches [Millimeter]												
	A	B	B'	C	D	E	F	G	H	L	M	MA	MB
NJ1*	39.50 [1003.30]	34.00 [863.60]	30.00 [762.00]	51.50 [1308.10]	35.50 [901.70]	6.00 [152.40]	8.00 [203.20]	4.00 [101.60]	7.75 [196.85]	1.00 [25.40]	34.00 [863.60]	24.00 [609.60]	32.00 [812.80]
NJ2	48.50 [1231.90]	38.00 [965.20]	34.00 [863.60]	59.00 [1498.60]	40.00 [1016.00]	8.00 [203.20]	8.00 [203.20]	4.00 [101.60]	10.50 [266.70]	1.00 [25.40]	38.00 [965.20]	27.50 [698.50]	36.00 [914.40]

Note: Mounting hole dimension is 0.69 [17.53] diameter.



Case Style	Dimensions in Inches [Millimeter]												
	A	B	B'	C	D	E	F	G	H	L	M	MA	MB
NJ3	51.50 [1308.10]	43.40 [1102.36]	39.00 [990.60]	66.00 [1676.40]	47.00 [1193.80]	10.00 [254.00]	8.00 [203.20]	4.00 [101.60]	8.75 [222.25]	1.00 [25.40]	43.00 [1092.20]	34.00 [863.60]	41.00 [1041.40]

Note: Mounting hole dimension is 0.69 [17.53] diameter.

## Enclosure Mounting Kits

If wall and/or ceiling mounting is desired for a transformer, optional mounting kits can be ordered separately. These mounting kits are NOT available for all enclosure case styles. Therefore, it is important that you confirm your enclosure case style, then use the selection table to the right to determine if A) a mounting kit is available and B) determine the correct HPS "Mounting Kit" part number that you must order. One kit is required for each transformer.

**Note:** Some of the mounting kits can be used for both wall and ceiling mount, while others are for wall mounting only. The table indicates which mounting methods are available for each kit. The NW2 wall/ceiling mounting kit also includes a drip plate.

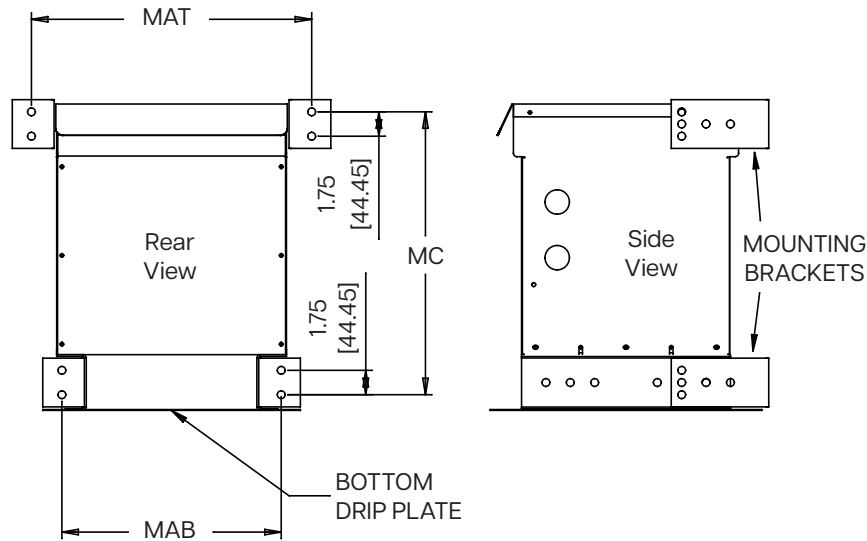
The NW2 wall/ceiling mounting kit is only designed for units up to 800 lbs [341 kg] maximum.

Enclosure Case Style	Wall Mount Available	Ceiling Mount Available	HPS Mounting Kit P/N
NH3	Yes	Yes	NW2
NH4	Non	No	N/A
NH5	Yes	Yes	NH5DP
NH6	Yes	Yes	NH6DP
NJ Series	No	No	N/A

## NW2 WALL/CEILING - MOUNTING KITS

The following drawings detail the wall and ceiling mounting dimensions required and method by which the NW2 kits are installed on the NH3 enclosures.

### NW2 WALL MOUNT - MOUNTING DIMENSIONS



Part No.	Enclosure Style	MAT Dimension Inches [mm]	MAB Dimension Inches [mm]	MC Dimension Inches [mm]
NW2	NH3	29.38 [746.13]	29.38 [746.13]	6.50 [165.10]

# ENCLOSURE WALL/CEILING MOUNTING DIMENSIONS

## NW2 CEILING MOUNT - MOUNTING DIMENSIONS

Ceiling Mounting Dimensions Inches [mm]			
Part No.	Enclosure	MA	MB
NW2	NH3	26.50 [673.10]	11.75 [298.45]

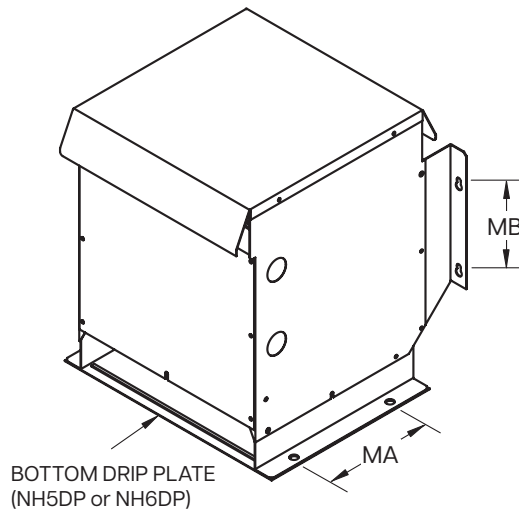
Note: Please refer to enclosure dimensional drawings on page 12 for more detailed dimensional information.

## NH5DP & NH6DP WALL/CEILING MOUNTING KITS

The NH5 and NH6 enclosures are designed with integral wall mounting capabilities. However, when you wall mount them, you must also install the bottom drip plate as shown below. The “MB” dimensions listed in the table below indicate the location for the wall mounting hardware.

For ceiling mounting of the NH5 and NH6, refer to the “MA” dimensions listed in the table below and hang the enclosure using appropriate sized ceiling hanger rods. However, you must be sure to install the bottom drip plate to the bottom of the enclosure, then bring the hanger rod down through both the enclosure bottom mounting holes and through the drip plate mounting holes and install mounting hardware.

**NOTE:** Do not ceiling mount either the NH5 or NH6 enclosures without installing the bottom drip plate. All mounting hardware should be rated Grade 8 or higher.



Mounting Kit P/N	Enclosure Style	MA Dimension Inches [mm]	MB Dimension Inches [mm]
NH5DP	NH5	9.00 [228.60]	7.00 [177.80]
NH6DP	NH6	9.00 [228.60]	8.00 [203.20]

# ANTI-VIBRATION PAD & VIBRATION ISOLATOR KITS

## Anti-Vibration Pad and Vibration Isolator Kits

All standard transformers come with installed internal vibration absorbing pads to minimize noise during operation. Optional external “anti-vibration” pad and “vibration isolator” (for higher noise dampening) kits can be used to reduce operating noise even further. All pads are resistant to industrial contaminants like oil, acids and alkalines.

### ANTI-VIBRATION PAD KITS

Part No.	Case Style	Description
P1	NH Series	Set of four (4) rubber anti-vibration pads which replace the standard steel enclosure washers.
P2	NJ Series	



All anti-vibration pad kits and vibration isolator kits contain a set of four (4) pads or isolators. Therefore only one kit is required per transformer.

### VIBRATION ISOLATOR KITS

Part No.	Transformer Weight Lbs [kg]	Description
NMP1	Up to 340 lbs [154]	Set of four (4) molded neoprene and steel plate assemblies that virtually eliminate vibration noise between the transformer and the mounting surface.
NMP2	341 to 680 lbs [155 to 608]	
NMP3	681 to 1040 lbs [309 to 472]	
NMP4	1041 to 1740 lbs [472 to 789]	
NMP5	1741 to 2330 lbs [790 to 1057]	
NMP6	2331 to 3450 lbs [1057 to 1565]	
NMP7	3451 to 4690 lbs [1565 to 2127]	



# ELECTRICAL SCHEMATICS & CONNECTION DRAWINGS

## SCD 7

Schematic		Connections												
	Primary Volts						Connect lines to			Inter-connect				
	208	218	242	252	437	480	483	504	604	630	H1, H2, H3			1
	198	208	230	240	416	456	460	480	575	600	H1, H2, H3			2
	187	198	219	228	395	432	437	456	546	570	H1, H2, H3			3
	Secondary Volts						Connect lines to							
208 230 240 380 416 460 480 600						X1, X2, X3								
120 133 139 220 240 265 277 347						X1, X0 X2, X0 X3, X0								

## SCD 8

Schematic		Connections											
	Primary Volts						Connect lines to			Inter-connect			
	218	242	252	437	483	504	604	630	2520	H1, H2, H3			1-2
	208	230	240	416	460	480	575	600	2400	H1, H2, H3			2-3
	198	219	228	395	437	456	546	570	2280	H1, H2, H3			3-4
	Secondary Volts						Connect lines to						
208 230 240 380 416 460 480 600						X1, X2, X3							
120 133 139 220 240 265 277 347						X1, X0 X2, X0 X3, X0							

## SCD 9

Schematic		Connections											
	Primary Volts						Connect lines to			Inter-connect			
	218	242	252	437	483	504	604	630	H1, H2, H3			1	
	213	236	246	426	472	492	589	615	H1, H2, H3			2	
	208	230	240	416	460	480	575	600	H1, H2, H3			3	
	203	224	234	406	449	468	561	585	H1, H2, H3			4	
	198	219	228	395	437	456	546	570	H1, H2, H3			5	
	Secondary Volts						Connect lines to			Inter-connect			
	208 380 416 480 600						X1, X2, X3			-			
	120 220 240 277 347						X1, X0			-			
						X2, X0			-				
						X3, X0			-				

## SCD 10

Schematic		Connections												
	Primary Volts						Connect lines to			Inter-connect				
	218	242	252	437	483	504	604	630	2520	4368	H1, H2, H3			1-2
	213	236	246	426	472	492	589	615	2460	4264	H1, H2, H3			2-3
	208	230	240	416	460	480	575	600	2400	4160	H1, H2, H3			3-4
	203	224	234	406	449	468	561	585	2340	4056	H1, H2, H3			4-5
	198	219	228	395	437	456	546	570	2280	3952	H1, H2, H3			5-6
	Secondary Volts						Connect lines to			Inter-connect				
	208 380 416 480 600						X1, X2, X3			-				
	120 220 240 277 347						X1, X0			-				
						X2, X0			-					
						X3, X0			-					



### HPS TruWave™ Active Harmonic Filter

HPS TruWave™ Active Harmonic Filter (AHF) is a comprehensive and flexible solution for harmonic mitigation. It provides advanced control and proven reliability that your facility needs to solve harmonic problems generated by non-linear loads such as variable frequency drives.

The AHF monitors load current and quickly responds to power system distortion as it develops. The AHF injects a corrective current to effectively cancel out harmonics produced by three phase non-linear loads. The result is a reduction in harmonic distortion to below 5%, complying with the IEEE-519 recommendations.



### HPS Centurion™ P Passive Harmonic Filter

HPS Centurion P passive harmonic filter improves power quality by simultaneously reducing harmonics and improving true power factor.

The advanced HPS design delivers superior performance compared to traditional harmonic filters by reducing harmonic current distortion to less than 5% and correcting true power factor to over 95%, enabling users to meet IEEE 519 harmonic requirements.

The Centurion P passive harmonic filter consists of reactors and capacitors in an LCL arrangement designed to reduce a broad range of harmonics associated with VFD's and other three phase rectifiers.



### HPS Centurion™ R Reactor

The HPS Centurion™ R reactor provides a U.L. listed solution to many common drive issues. Line reactor benefits:

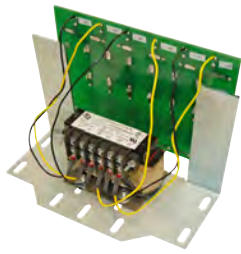
- Minimizes harmonic current
- Attenuates voltage and current harmonics to reduce voltage notching
- Improves True Power Factor by reducing overall current distortion
- Mitigates drive nuisance tripping by attenuating voltage transients from sources such as PFCC, utility switching and lightning

When coordinated with a HPS TruWave Active Harmonic Filter, the system can reduce harmonics from variable frequency drives to under 5% THD.

Load reactor benefits:

- Reduces the motor's operating temperature & audible noise
- Mitigates motor bearing failures and insulation damage as a result of the reflected wave phenomenon
- Enhances the overall performance and life expectancy of the motor





### dV/dT Filter

The HPS dV/dT filter provides protection for motors by slowing the rate of voltage increase and minimizing the peak voltage that occurs at the motor's terminals and along the cables feeding the motor.

It does this by combining the harmonic current limiting ability of an AC line reactor plus a resistive capacitance circuit that forms a damped, low pass filter.

HPS dV/dT filters are specifically designed for drive/motor applications with long lead lengths (usually where the motor cable length is 100 feet and greater).



### Energy Efficient Drive Isolation Transformers

HPS Tribune™ drive isolation transformers are suitable for both AC and DC variable speed drives. They are sized to match standard motor horsepower and voltage ratings.

Standard features include:

- Meets NRCan 2019
- Three phase ratings from 7 kVA to 660 kVA
- Available in aluminum, copper and optional shield
- UL Listed and CSA Certified
- Type 3R enclosure (optional Type 4, 12 or stainless)

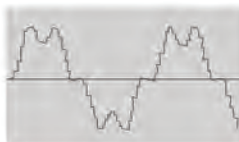


### HPS Multi-Pulse Transformer

Multi-Pulse transformers are designed specifically for harmonics, voltage distortion and other unique characteristics associated with individual manufacturer's drive systems. They provide the required supply voltage with the desired phase angle between secondary voltages for VFD systems/converters.

- HPS has significant experience with 18, 24, 36, 48 pulse drive/inverter duty transformers and auto-transformers in both low and medium voltage applications.

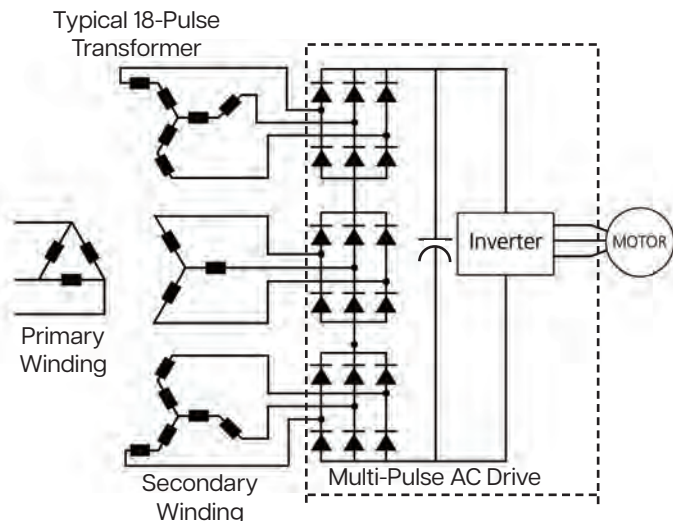
#### Typical Drive Current Waveforms



6 Pulse Rectifier



18 Pulse Rectifier





## CANADA

### Hammond Power Solutions

595 Southgate Drive  
Guelph, Ontario N1G 3W6  
Tel: (519) 822-2441 | Fax: (519) 822-9701  
Toll Free: 1-888-798-8882

[sales@hammondpowersolutions.com](mailto:sales@hammondpowersolutions.com)



## UNITED STATES

### Hammond Power Solutions

1100 Lake Street  
Baraboo, Wisconsin 53913-2866  
Tel: (608) 356-3921 | Fax: (608) 355-7623  
Toll Free: 1-866-705-4684

[sales@hammondpowersolutions.com](mailto:sales@hammondpowersolutions.com)



## MEXICO

### Hammond Power Solutions Latin America S.

Av. No. 800,  
Parque Industrial Guadalupe  
Guadalupe, NL, Mexico, C.P. 67190.  
Tel: (819) 690-8000

[sales@hammondpowersolutions.com](mailto:sales@hammondpowersolutions.com)



## ASIA

### Hammond Power Solutions Pvt. Ltd.

Plot No 6A, Phase -1, IDA,  
Pashamylaram, Patancheru (M)  
Sangareddy, 502 307, India  
Tel: +91-994-995-0009

[marketing-india@hammondpowersolutions.com](mailto:marketing-india@hammondpowersolutions.com)

## EMEA (SALES OFFICE)

### Hammond Power Solutions SpA

Tel: +49 (152) 08800468

[sales-emea@hammondpowersolutions.com](mailto:sales-emea@hammondpowersolutions.com)



[hammondpowersolutions.com](http://hammondpowersolutions.com)



TRIBSP-BBH2-EN  
November 2023