



Ferraz Shawmut | Eldre | Idealec | FTCAP

ELECTRICAL POWER

HIGH SPEED FUSES AND FUSEGEAR CATALOG



PROTECTION FOR
POWER ELECTRONIC
AND BATTERY-RELATED
APPLICATIONS



TABLE OF CONTENTS

		Page#
FUSE PROTECTION OF DC SYSTEMS		6-10
D100QS Series aR 1000VDC	1000VDC; 50-300A	7-8
D70QS Series aR 700VDC	700VDC; 5-600A	9-10
PROTECTION FOR SEMICONDUCTOR		11-65
North American Style		
A13X Amp-Trap® Form 101	130VAC, 100VDC; 1-6000A	12-13
A15QS Amp-Trap® Form 101	150VAC/VDC; 1-6000A	14-15
A25X Amp-Trap® Form 101	250-300VAC; 10-4500A	16-17
A30QS Amp-Trap® Form 101	300VAC/DC; 1-4500A	18-19
A50P Amp-Trap® Form 101	500VAC, 450VDC; 10-1600A	20-21
A50QS Amp-Trap® Form 101	500VAC/DC; 35-1200A	22-23
A60Q Amp-Trap® Form 101	600VAC/DC; 5-40A	24
HSJ High Speed Class J	600VAC, 1-600A/500VDC , 15-600A	25-26
A60X Amp-Trap® Form 101	600VAC; 1-2000A	27-28
A70P Amp-Trap® Form 101	700VAC, 650VDC; 10-2000A	29-30
A70Q Amp-Trap® Form 101	700VAC, 650VDC; 35-600A	31
A70QS Amp-Trap® French Cylindrical	700VAC, 700VDC; 6-100A	32-33
A70QS Amp-Trap® Form 101	700VAC/VDC; 35-800A	34-35
A100P Amp-Trap® Form 101	1000VAC; 15-1000A	36-37
A120X Amp-Trap® Form 101	1200VAC, 1000VDC; 1/2-30A	38
Protistor Square Body		
Body Size 30, 31, 32, 33, 2x32 and 2x33	450-700VAC; 40-2500A; aR	39-49
Body Size 70, 71, 72, 73, 2x72 and 2x73	650-1300VAC; 50-1800A; aR	50-59
Protistor IEC Cylindrical		
Size 10 x 38 mm	500-600VAC; 0.1-30A; aR	60
Size 10 x 38 mm	700VAC, 500VDC; 1-32A; gR	61
Size 14 x 51 mm & 22 x 58 mm	690VAC; 6-100A; aR	62
Size 27 x 60 mm	600-1000VAC; 32-250A; aR	63-64
Size 27 x 60 mm	800VAC; 8-110A; gR	65
FUSEGEAR		66-107
Fuse Holders & Clips & Bases & Blocks		
Modular Semiconductor Fuse Blocks	1SC/1MSC	67-68
Semiconductor Fuse Blocks	P-Block	69
Ferrule Fuse Holders	PS 20 x 127	70-71
UltraSafe™ Fuse Holders	USM, US14, US22, CMS27/US27	72-89
Fuse Blocks	703 & U705 & U710, Midget	90-93
Fuse Clips	For UL and IEC Cylindrical Fuses	94-99
Fuse Bases	AC & DC Square Body	100-102
Fuse Indicators & Microswitches		
Blown Fuse Indicators		103-104
Square Body Fuse Microswitches and Studs		105-106
Protistor® Fuse Microswitches		107

HIGH SPEED FUSES THAT MEET EVERY MAJOR STANDARD

Standards may change from country to country, but the need for safe, reliable electrical protection for semiconductor applications is the same the world over. That's why Mersen offers the best protection solutions on the market today and the widest range of high speed fuses that meets every major International Standard.

HIGH SPEED FUSE SOLUTIONS

Mersen supports OEM designers and equipment-maintenance personnel with a comprehensive line of high speed fuses. Product lines, such as Protistor® PSC Square Body ceramic semiconductor fuses, have been developed to meet worldwide standards and also match every market with complete lines of North American style round semiconductor fuses, IEC Cylindrical, NH DIN German and British BS88 Standards fuses.

TYPICAL APPLICATIONS

- Protection of Power inverters, converters and rectifiers, AC and DC drives
- DC common bus
- Reduced voltage motor starters
- UPS systems
- Protection of Capacitor banks
- Switchboard and control panels
- DC grids

HIGH SPEED FUSES ARE DIFFERENT FROM REGULAR STANDARD FUSES

High speed fuses are used to protect semiconductor devices against overcurrent conditions. They are specifically designed to reduce the I^2t , peak let-through current and arc voltages during a fault condition. There is hardly an electric powered product that exists today that does not rely on semiconductor technology to some degree. That means extending electrical protection to IGBTs, Silicon Carbide (SiC), GaN, thyristors, triacs, diodes, and a host of other solid-state components, and providing a wide range of voltage requirements, unique mounting configurations, and special protection characteristics. High speed fuses differ vastly from standard fuses in performance and purpose, as indicated in the table below:

	Overcurrent Protection	Standards	Safety Standards	Ratings	Type of Protection	Purpose
Semiconductor and Special Purpose Fuses	Power Semiconductor	IEC or UL recognized component	Internationally harmonized (UL/IEC/CSA/CCC)	Non-Standard	Ultra-fast and low-energy	Sensitive component and topology protection
Standard Fuses	Cable/overload protection	IEC or UL listed component	Local-specific	Defined by Standards	Short circuit and overload	Provides general protection to power sources and AC loads

High speed fuses from Mersen are designed to:

- Limit the thermal energy (I^2t) let-through
- Interrupt very high potential fault currents in extremely short times
- Limit the let-thru current in case of a fault
- Ride through normal transient overload conditions
- Withstand heavy duty cycling capabilities

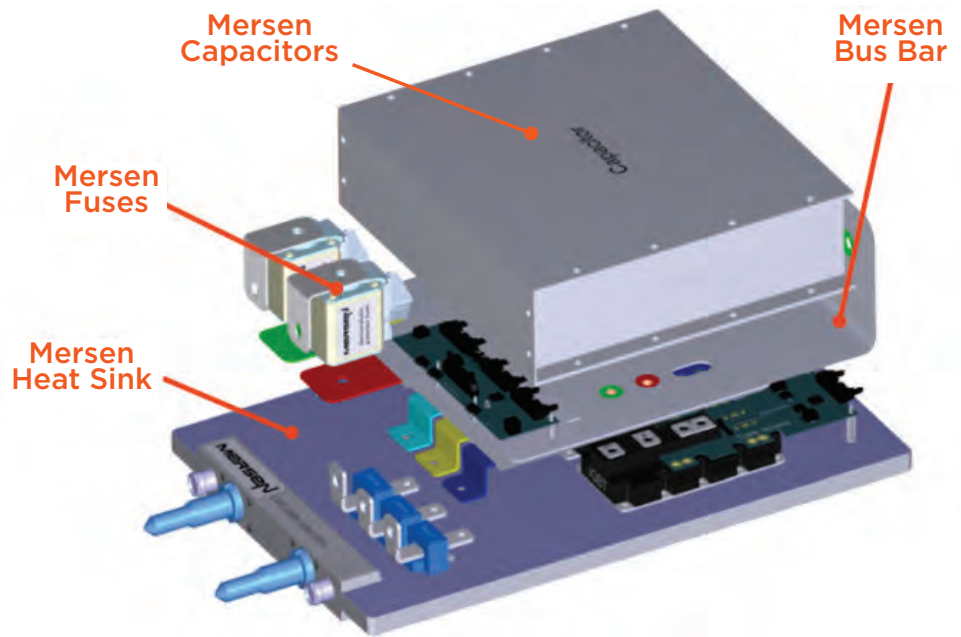
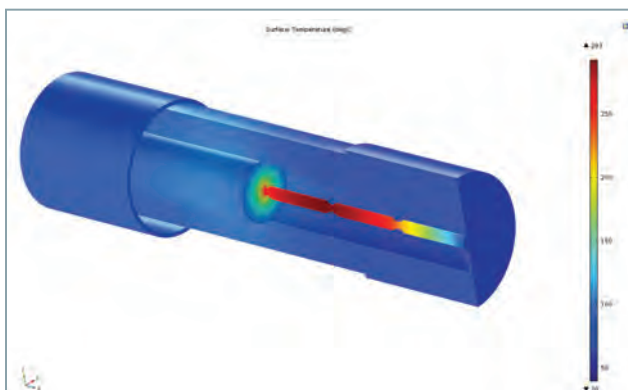
APPLICATION ENGINEERING SUPPORT

Mersen application engineering teams are available to assist our customers with the correct selection of high speed fuses for their applications. Visit ep.mersen.com for more information.

MERSEN HIGH-POWER FUSE TEST LABS

Mersen offers our customers global test capabilities for testing products in North America (Newburyport, Massachusetts) and in Europe (Saint Bonnet de Mure, France). Our labs can conduct fuse performance testing in AC and DC applications under UL/CSA or IEC standards guidelines. We utilize state-of-the-art instruments and software to provide accurate run-testing services and in-depth analysis. For more information on our test capabilities, please contact Mersen.

The labs also play a critical role in custom-fuse development, enabling us to test prototypes quickly and efficiently to keep pace with your development schedule. These labs play a crucial and fundamental role in our quality control program for Mersen's electrical protection products.



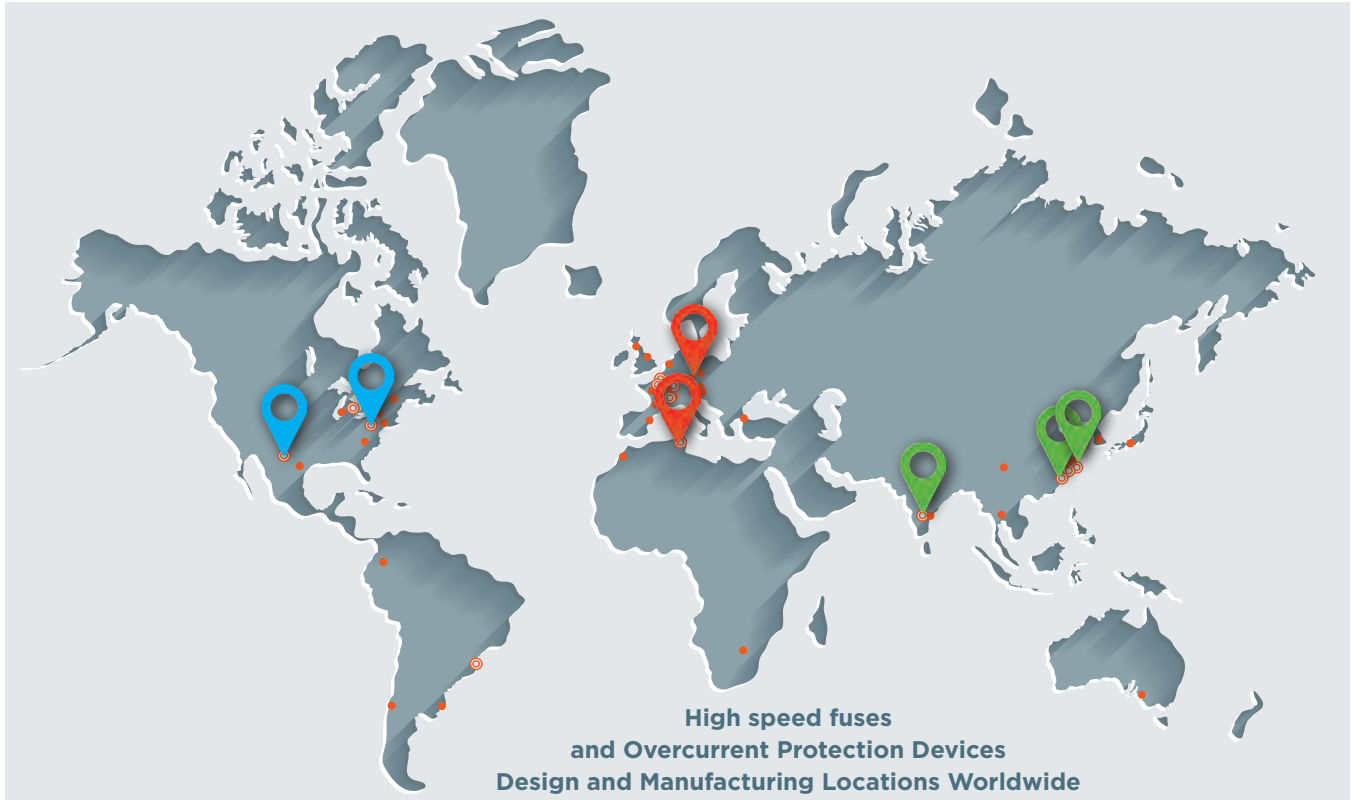
SOLUTIONS FOR POWER MANAGEMENT: TURN TO MERSEN TO BE YOUR DESIGN PARTNER

Combine Mersen square body semiconductor fuses with Mersen's cooling and laminated bus bar solutions and capacitor offering for an optimized system solution to support your power electronics designs. As a design partner with extensive application and product expertise, Mersen is able to maximize system performance, lower total costs, and reduce time to market. Our dedicated power electronics team is available to customize a solution for you. In addition, custom solutions are available for your semiconductor protection needs.

To reduce design time and to optimize performance specifications, Mersen engineering teams can provide state of the art simulations for fuses, heat sinks, and bus bars. Simulations can greatly improve prototype design considerations and reduce manufacturing lead times.

A GLOBAL REPUTATION FOR QUALITY

Mersen's reputation for outstanding technical expertise, product quality, and engineered safety is the result of over a century of design and manufacturing knowledge, coupled with state-of-the-art equipment in various ISO-9001 and ISO-14001 registered facilities around the world.



Newburyport, MA, USA
Design and Test
ISO9001 & ISO14001



Saint-Bonnet, France
Design, Test & Manufacturing
ISO9001 & ISO14001
IRIS & ISO 17025



Shanghai, China
Wenzhou, China
Manufacturing
ISO9001 & ISO14001



Juarez, Mexico
Manufacturing
ISO9001 & ISO14001



Tunis, Tunisia
Manufacturing
ISO9001 & ISO14001, OHSAS 18001



Bangalore, India
Manufacturing
ISO9001 & ISO14001

DC FUSES



D100QS Series aR 1000VDC

1000VDC, L/R ≤1ms, 100kA IR, MBC<3kA

Electrification in construction, marine, agriculture, manufacturing, mining, and other industries, in addition to transportation, is a critical trend in cleaner energy. The D100QS North American style round body high-speed fuse series is Mersen's next evolution for high-power conversion applications protection for those industries shifting to Direct Current (DC) systems today. The D100QS fuse series is specifically designed to reduce the I2t, peak let-through current, and arc voltages during fault conditions to protect applications such as battery charging systems and other DC components like relays and contactors.



FEATURES/BENEFITS:

- Lower I2t performance for improved protection of equipment
- Superior cycling ability for long, reliable life on high cyclic loading
- Low watts losses
- High Interrupting rating for optimal short circuit protection
- Designed to provide superior power cycling compared to general purpose fuses
- Built to withstand vibration

APPLICATIONS:

- High Power battery charging and management systems protection
- Energy Storage Systems (ESS)
- Electrical Energy Storage (EES)
- Battery Disconnect Unit (BDU)
- Battery pack protection
- DC Fast-Charging station for EV applications
- Backup protection for DC relay/disconnector/switch
- Protection of 1000VDC or less, UPS and inverters

RATINGS:

- **DC:** 50-300A, 1000VDC, L/R ≤1ms, 100kA IR, MBC<3kA

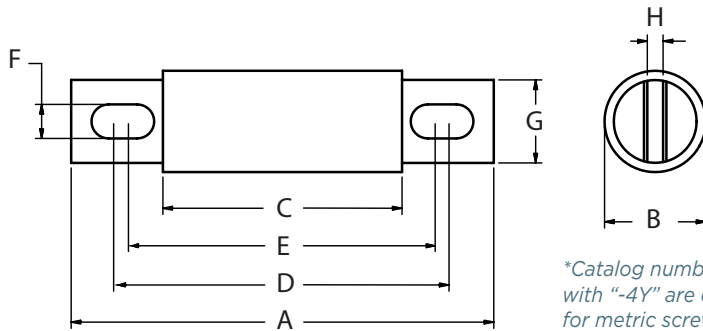
APPROVALS:

- UL Recognized
UL File: E60314
DC: 50-300A, 1000VDC
- REACH/RoHS compliant



DIMENSIONS:

D100QS 50-300A



Article Number	A	B	C	D	E	F	F*	G	H
D100QS50 to 100 in [mm]	4.38 [111]	1 [25.4]	2.88 [73]	3.69 [93.6]	3.50 [88.9]	0.31 [7.9]	0.35 [9.0]	0.75 [19]	0.13 [3.2]
D100QS125 to 200 in [mm]	4.38 [111]	1.22 [31]	2.88 [73]	3.69 [93.6]	3.56 [90.5]	0.31 [7.9]	0.35 [9.0]	1 [25.4]	0.19 [4.8]
D100QS225 to 300 in [mm]	5.09 [129]	1.50 [38.1]	2.84 [72.2]	4.16 [106]	3.53 [89.7]	0.40 [10.2]	-	1 [25.4]	0.25 [6.4]

D100QS Series aR 1000VDC

1000VDC, L/R ≤1ms, 100kA IR, MBC<3kA

PRODUCT RANGE



D100QS100-4



D100QS200-4Y



D100QS300-4

D100QS 50-300A Round Body Fuses

Catalog number	Max DC voltage, L/R < 1ms (VDC)*	Rated current I _n (A)	Power dissipation		MBC @1000VDC, L/R <1ms (A)**	Time to clear MBC (ms)	Weight (kg)	Package
			at 0.8I _n (W)	at I _n (W)				
D100QS50-4,-4Y	1000	50	5.3	10	960	40	0.12	5
D100QS60-4,-4Y	1000	60	6.5	12	1160	40	0.12	5
D100QS70-4,-4Y	1000	70	8.1	15	1350	40	0.12	5
D100QS80-4,-4Y	1000	80	9.7	18	1540	40	0.12	5
D100QS90-4,-4Y	1000	90	11	20	1730	40	0.12	5
D100QS100-4,-4Y	1000	100	13	24	1920	40	0.12	5
D100QS125-4,-4Y	1000	125	12	22	940	80	0.19	5
D100QS150-4,-4Y	1000	150	16	29	1130	80	0.19	5
D100QS175-4,-4Y	1000	175	19	35	1320	80	0.19	5
D100QS200-4,-4Y	1000	200	22	41	1510	80	0.19	5
D100QS225-4	1000	225	20	37	2200	80	0.3	5
D100QS250-4	1000	250	23	42	2430	80	0.3	5
D100QS300-4	1000	300	29	53	2920	80	0.3	5

Catalog numbers ending with "-4Y" are designated for metric screws

*Time Constant: L/R ≤1ms

**MBC (Minimum Breaking Capacity): Smallest current fuse has been tested to safely open at rated voltage and associated time constant

ACCESSORIES

Fuse blocks



P243C



1SC250



1SC375

Catalog number	Item number	Rated DC voltage	Application DC Fuses	Contact Materials	Weight
P243 Fuse blocks					
P243C	P243C	700 V	D70QS fuses from 225 to 600A	Tin-Plated Copper	0.12 kg
P266 Fuse blocks					
P266A	P266A	1000 V	D100QS fuses from 225 to 300A	Stainless Steel	0.39 kg
1SC/1MSC Modular Fuse blocks					
1SCM8	1SCM8	1000 V	D100QS up to 200A and D70QS up to 400A	Zinc-Plated Steel	68 g
1SC250	1SC250	1000 V	D100QS up to 200A and D70QS up to 400A	Zinc-Plated Steel	68 g
1SC375	1SC375	1000 V	D100QS 225A-300A and D70QS 450A-600A	Zinc-Plated Steel	68 g
1SCM10	1SCM10	1000 V	D100QS 225A-300A and D70QS 450A-600A	Zinc-Plated Steel	68 g

D70QS Series aR 700VDC

700VDC, L/R ≤1ms, 20kA IR

Electrification in construction, marine, agriculture, manufacturing, mining, and other industries, in addition to transportation, is a critical trend in cleaner energy. The D70QS North American style round body high-speed fuse series is Mersen's next evolution for high-power conversion applications protection for those industries shifting to Direct Current(DC) systems today. The D70QS fuse series is specifically designed to reduce the I2t, peak let-through current, and arc voltages during fault conditions to protect applications such as battery charging systems and other DC components like relays and contactors.



FEATURES/BENEFITS:

- Lower I2t performance for improved protection of equipment
- Superior cycling ability for long, reliable life on high cyclic loading
- Low watts losses
- High Interrupting rating for optimal short circuit protection

APPLICATIONS:

- High Power battery charging and management systems protection
- Energy Storage Systems (ESS)
- Electrical Energy Storage (EES)
- Battery Disconnect Unit (BDU)
- Battery pack protection
- DC Fast-Charging station for EV applications
- Backup protection for DC relay/disconnector/switch
- Protection of 700VDC or less, UPS and inverters

APPROVALS:

- UL Recognized
UL File: E60314
DC: 50-600A, 700VDC
- Power Cycling & Vibration
- REACH/RoHS compliant

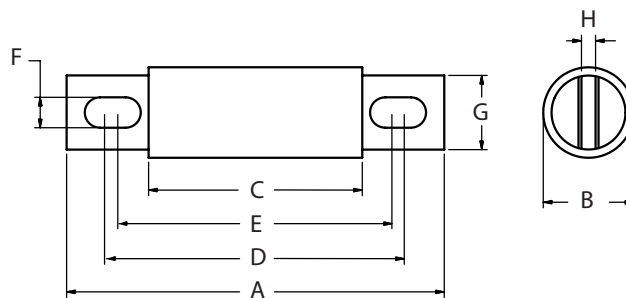


RATINGS:

- **DC:** 50-600A, 700VDC, L/R ≤1ms, 20kA IR

DIMENSIONS:

D70QS_-4 (50-600A)



Article Number	A	B	C	D	E	F	G	H
D70QS50 to 100 in (mm)	3.63 (92.2)	1 (25.4)	2.13 (54.1)	2.94 (74.7)	2.75 (69.8)	0.31 (7.9)	0.50 (19)	0.13 (3.2)
D70QS125 to 200 in (mm)	3.63 (92.2)	1.22 (31)	2.13 (54.1)	2.94 (74.7)	2.81 (71.4)	0.31 (7.9)	1 (25.4)	0.19 (4.8)
D70QS225 to 400 in (mm)	4.34 (110)	1.50 (38.1)	2.09 (53.1)	3.41 (86.6)	2.78 (70.6)	0.41 (10.4)	1 (25.4)	0.25 (6.4)
D70QS450 to 600 in (mm)	4.47 (114)	2 (50.8)	2.22 (56.4)	3.53 (89.7)	2.91 (73.9)	0.41 (10.4)	1.5 (38.1)	0.25 (6.4)

D70QS Series aR 700VDC

700VDC, L/R ≤1ms, 20kA IR

PRODUCT RANGE



D70QS100-4

D70QS 50-100A Round Body Fuse

Catalog number	Rated DC voltage	Rated current I _n	Power dissipation at 0.5 I _n	Min. breaking capacity (MBC)*	Max. time to clear MBC	Weight
D70QS50-4	700 V	50 A	1.4 W	380 A	50 ms	99 g
D70QS60-4	700 V	60 A	1.8 W	460 A	50 ms	99 g
D70QS70-4	700 V	70 A	2.2 W	540 A	50 ms	99 g
D70QS80-4	700 V	80 A	2.5 W	610 A	50 ms	99 g
D70QS90-4	700 V	90 A	2.7 W	690 A	50 ms	99 g
D70QS100-4	700 V	100 A	3.1 W	760 A	50 ms	99 g



D70QS200-4

D70QS 125-200A Round Body Fuse

Catalog number	Rated DC voltage	Rated current I _n	Power dissipation at 0.5 I _n	Min. breaking capacity (MBC)*	Max. time to clear MBC	Weight
D70QS125-4	700 V	125 A	3.8 W	870 A	60 ms	0.17 kg
D70QS150-4	700 V	150 A	4.5 W	1040 A	60 ms	0.17 kg
D70QS175-4	700 V	175 A	5.2 W	1210 A	60 ms	0.17 kg
D70QS200-4	700 V	200 A	5.9 W	1380 A	60 ms	0.17 kg



D70QS400-4

D70QS 225-400A Round Body Fuse

Catalog number	Rated DC voltage	Rated current I _n	Power dissipation at 0.5 I _n	Min. breaking capacity (MBC)*	Max. time to clear MBC	Weight
D70QS225-4	700 V	225 A	6.7 W	1190 A	140 ms	0.26 kg
D70QS250-4	700 V	250 A	7.4 W	1320 A	140 ms	0.26 kg
D70QS300-4	700 V	300 A	8.8 W	1580 A	140 ms	0.26 kg
D70QS350-4	700 V	350 A	10.2 W	1840 A	140 ms	0.26 kg
D70QS400-4	700 V	400 A	11.7 W	2100 A	140 ms	0.26 kg



D70QS 450-600A Round Body Fuse

Catalog number	Rated DC voltage	Rated current I _n	Power dissipation at 0.5 I _n	Min. breaking capacity (MBC)*	Max. time to clear MBC	Weight
D70QS450-4	700 V	450 A	12.4 W	2200 A	360 ms	0.52 kg
D70QS500-4	700 V	500 A	13.9 W	2460 A	360 ms	0.52 kg
D70QS600-4	700 V	600 A	16.6 W	2950 A	360 ms	0.52 kg

*Time Constant: L/R ≤1ms

ACCESSORIES

D70QS600-4



P243C

Fuse blocks

Catalog number	Item number	Rated DC voltage	Application DC Fuses	Contact Materials	Weight
P243 Fuse blocks					
P243C	P243C	700 V	D70QS fuses from 225 to 600A	Tin-Plated Copper	0.12 kg
P266 Fuse blocks					
P266A	P266A	1000 V	D100QS fuses from 225 to 300A	Stainless Steel	0.39 kg
1SC/1MSC Modular Fuse blocks					
1SCM8	1SCM8	1000 V	D100QS up to 200A and D70QS up to 400A	Zinc-Plated Steel	68 g
1SC250	1SC250	1000 V	D100QS up to 200A and D70QS up to 400A	Zinc-Plated Steel	68 g
1SC375	1SC375	1000 V	D100QS 225A-300A and D70QS 450A-600A	Zinc-Plated Steel	68 g
1SCM10	1SCM10	1000 V	D100QS 225A-300A and D70QS 450A-600A	Zinc-Plated Steel	68 g



1SC250

A high-angle, top-down view of a sleek, blue and white high-speed train traveling on a set of tracks. The train is moving away from the viewer. The tracks are flanked by concrete walls, and in the background, there is a construction site with dirt, debris, and some buildings under construction. The lighting is bright, suggesting a clear day.

STANDARD HIGH SPEED FUSES

A13X

Amp-Trap® Form 101, 130VAC, 100VDC; 1-6000A

A13X Amp-Trap® Form 101 High speed fuses are designed for the specific protection of diodes and other semiconductor devices rated 130VAC or less. A13X fuses are very compact relative to their ampere ratings, especially the hockey-puck type in the higher ampere ratings.

FEATURES/BENEFITS: FUSE BLOCKS

- Low I²t minimizes damage to protected components on short circuit
- Controlled arc voltage reduces stress to circuit components during fuse clearing
- Choice of mounting types helps in equipment design

Current Rating I _n (A)	Catalog No.	Pole
1-30	30311	1
31-60	60306J	1
61-100	P243D	1
101-200	P243D	1
201-450	P243D	1
500-600	P243G	1
70-400	1SC250 or 1SCM8	
450-800	1SC375 or 1SCM10	

See Fusegear section for product details.



RATINGS:

- **AC:** 1-25A, 130VAC, 8kA IR; 70-250A, 130VAC, 7.9kA IR
- **DC:** 70-2000A, 100VDC, 10kA IR, L/R≤10ms; 2500-3000A, 100VDC, 20kA IR, L/R≤10ms

APPLICATIONS:

- Protection of heavy-duty devices such as electrochemical rectifiers

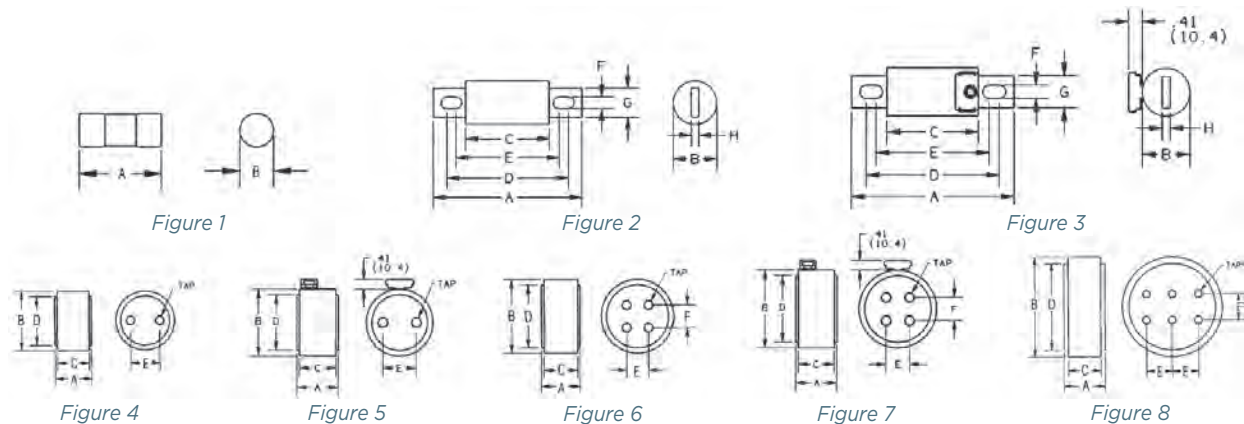
APPROVALS:

- UL Recognized Component File # E60314
- AC: 1-25A, 130VAC, 70-250A, 130VAC
- DC: 70-2000A, 100VDC, 2500-3000A, 100VDC



DIMENSIONS:

Outline Ref.	Mounting Type	Fig.	Dimensions - Inches (mm)								Tap	
			A	B	C	D	E	F	G	H		
A13X1 to 30	2	1	1.5(38.1)	0.41(10.4)	-	-	-	-	-	-	-	-
A13X35 to 60	1	1	2(50.8)	0.81(20.6)	-	-	-	-	-	-	-	-
A13X70 to 450	4, 4TA*	2, 3*	2.66(67.6)	1.13(28.7)	1.16(29.5)	2.19(55.6)	1.91(48.5)	0.31(7.9)	0.88(22.4)	0.19(4.8)	-	-
A13X500 to 1000	4, 4TA*	2, 3*	3.5(88.9)	1.5(38.1)	1.25(31.8)	2.56(65)	1.94(49.3)	0.41(10.4)	1(25.4)	0.25(6.4)	-	-
A13X1000 to 2000	128	4	1.88(47.8)	2(50.8)	1.63(41.4)	1.75(44.5)	1(25.4)	-	-	-	-	3/8-24-1/2 Deep
A13X2500 to 3000	128, 128TA*	4, 5*	1.88(47.88)	3(76.2)	1.63(41.4)	2.5(63.5)	1.5(38.1)	-	-	-	-	1/2-20-1/2 Deep
A13X3500 to 4000	128, 128TA*	6, 7*	1.88(47.88)	3.5(88.9)	1.63(41.4)	3(76.2)	1.06(27)	1.06(27)	-	-	-	1/2-20-1/2 Deep
A13X5000 to 6000	128	8	2.38(60.5)	5.75(146)	1.88(47.7)	5(127)	1.5(38.1)	1.5(38.1)	-	-	-	1/2-20-1/2 Deep



CATALOG NUMBERS:

Catalog No.	Current Rating I _n (A)	Dimen. Fig.
A13X1-2	1	1
A13X2-2	2	1
A13X3-2	3	1
A13X4-2	4	1
A13X5-2	5	1
A13X6-2	6	1
A13X7-2	7	1
A13X8-2	8	1
A13X10-2	10	1
A13X12-2	12	1
A13X15-2	15	1
A13X20-2	20	1
A13X25-2	25	1
A13X30-2	30	1
A13X35-1	35	1
A13X40-1	40	1
A13X40-4TI	40	2
A13X45-1	45	1
A13X50-1	50	1
A13X50-4	50	2
A13X55-1	55	1
A13X60-1	60	1
A13X70-4	70	2
A13X70-4TI	70	2
4A13X80-4	80	2
4A13X80-4TI	80	2
A13X90-4	90	2
A13X100-4	100	2
A13X100-4TI	100	2
A13X130-4	130	2
A13X130-4TI	130	2
A13X150-4	150	2
A13X150-4TA	150	3
A13X150-4TI	150	2
A13X200-4	200	2
A13X200-4TA	200	3

Catalog No.	Current Rating I _n (A)	Dimen. Fig.
A13X250-4	250	2
A13X250-4TI	250	2
A13X300-4	300	2
A13X300-4TA	300	3
A13X300-4TI	300	2
A13X350-4	350	2
A13X350-4TI	350	2
A13X400-4	400	2
A13X400-4TA	400	3
A13X400-4TI	400	2
A13X450-4	450	2
A13X450-4TA	450	3
A13X500-4	500	2
A13X500-4TA	500	3
A13X600-4	600	2
A13X600-4TA	800	3
A13X800-4	800	2
A13X1000-4	1000	2
A13X1000-4TA	1000	3
A13X1000-4TI	1000	2
A13X1000-128	1000	4
A13X1000-128TA	1000	5
A13X1200-128	1200	4
A13X1200-128TA	1200	5
A13X1500-128	1200	4
A13X1500-128TA	1500	5
A13X2000-128	2000	4
A13X2000-128TA	2000	5
A13X2500-128	2500	4
A13X2500-128TA	2500	5
A13X3000-128	3000	4
A13X3000-128TA	3000	5
A13X3500-128	3500	6
A13X4000-128	4000	6
A13X4000-128TA	4000	7
A13X5000-128	5000	8
A13X6000-128	6000	8

For ampere ratings and styles not listed, contact Technical Services at 978-465-4853 or TechnicalServices.EP@mersen.com.

A15QS

Amp-Trap® Form 101, 150VAC/VDC; 1-6000A

A15QS Amp-Trap® Form 101 high speed fuses are designed for the specific protection of diodes and other semiconductor devices rated 150VAC/DC. The A15QS product line's compact design is perfect for those applications with limited available space.

FEATURES/BENEFITS: FUSE BLOCKS:

- **Low I²t minimizes** damage to protected components on short circuit
- **Controlled arc voltage** reduces stress to circuit components during fuse clearing
- **Choice of mounting types** provides options for unique termination requirements

Current Rating I _n [A]	Catalog No.	Poles
1-30	30311	1
31-60	U71006	1
500-600	P243G	1
40-450	P243D	1
20-400	1SC250 or 1SCM8	1
450-800	1SC375 or 1SCM10	1

See Fusegear section for product details.



RATINGS:

- **AC:** 1-6000A, 150VAC, 100kA IR
- **DC:** 1-4000A, 150VDC, 50kA IR, L/R≤10ms

APPLICATIONS:

- Protection of heavy duty devices such as electrochemical rectifiers

APPROVALS:

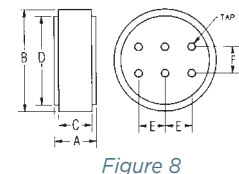
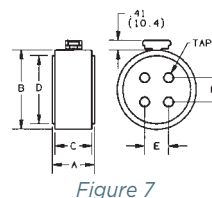
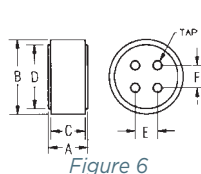
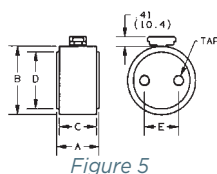
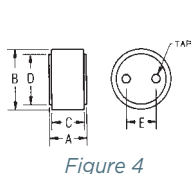
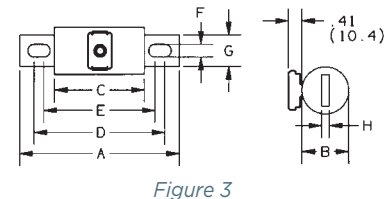
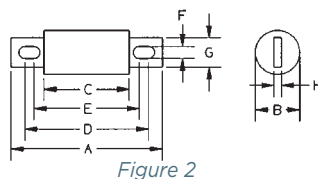
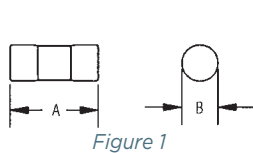
- UL Recognized Component
UL File E60314
- AC: 1-4000A, 150VAC
- DC: 1-4000A, 150VDC



DIMENSIONS:

Outline Ref.	Mounting Type	Fig.	Dimensions - Inches [mm]									Tap
			A	B	C	D	E	F	G	H		
A15QS1 to 30	2	1	1.50[38.1]	0.41[10.4]	-	-	-	-	-	-	-	-
15QS35 to 60	1	1	2.00[50.8]	0.81[20.6]	-	-	-	-	-	-	-	-
A15QS20 to 450	4, 4TI*, 4IL*	2, 3*	2.66[67.6]	1.00[25.4]	1.16[29.5]	2.19[55.6]	1.88[47.6]	0.31[7.9]	0.74[18.8]	0.125[3.2]	-	-
A15QS500 to 1000	4, 4TI*, 4IL*	2, 3*	3.50[88.9]	1.50[38.1]	1.25[31.8]	2.56[65.0]	1.94[49.3]	0.41[10.4]	1.00[25.4]	0.25[6.4]	-	-
A15QS750 to 2000	128, 128IL	4, 5*	1.88[47.8]	2.00[50.8]	1.63[41.4]	1.75[44.5]	1.00[25.4]	-	-	-	-	3/8-24-1/2 Deep
A15QS2500 to 3000	128, 128IL	4, 5*	1.88[47.88]	3.00[76.2]	1.63[41.4]	2.50[63.5]	1.50[38.1]	-	-	-	-	1/2-20-1/2 Deep
A15QS3500 to 4000	128, 128IL	6, 7*	1.88[47.88]	3.50[88.9]	1.63[41.4]	3.00[76.2]	1.06[27.0]	1.06[27.0]	-	-	-	1/2-20-1/2 Deep
A15QS4500 to 6000	128	8	2.38[60.5]	5.75[146]	1.88[47.7]	5.00[127]	1.50[38.1]	1.50[38.1]	-	-	-	1/2-20-1/2 Deep

* Optional Trigger Indicator (TI) and/or (IL) indicator.



A15QS

Amp-Trap® Form 101, 150VAC/VDC; 1-6000A

CATALOG NUMBERS:

Catalog No.	Current Rating I_n (A)	Dimen. Fig.
A15QS1-2	1	1
A15QS2-2	2	1
A15QS3-2	3	1
A15QS4-2	4	1
A15QS5-2	5	1
A15QS6-2	6	1
A15QS7-2	7	1
A15QS8-2	8	1
A15QS10-2	10	1
A15QS12-2	12	1
A15QS15-2	15	1
A15QS20-2	20	1
A15QS25-2	25	1
A15QS30-2	30	1
A15QS35-1	35	1
A15QS40-1	40	1
A15QS40-4TI	40	2
A15QS45-1	45	1
A15QS50-1	50	1
A15QS50-4	50	2
A15QS60-1	60	1
A15QS70-4	70	2
A15QS70-4TI	70	2
A15QS80-4	80	2
A15QS80-4TI	80	2
A15QS90-4	90	2
A15QS100-4	100	2
A15QS100-4TI	100	2
A15QS130-4	130	2
A15QS130-4TI	130	2
A15QS150-4	150	2
A15QS150-4IL	150	3
A15QS150-4TI	150	2
A15QS175-4TI	175	2
A15QS200-4	200	2
A15QS200-4IL	200	3
A15QS250-4	250	2
A15QS250-4TI	250	2

Catalog No.	Current Rating I_n (A)	Dimen. Fig.
A15QS300-4	300	2
A15QS300-4IL	300	2
A15QS300-4IL	300	3
A15QS350-4	350	2
A15QS350-4TI	350	2
A15QS400-4	400	2
A15QS400-4IL	400	3
A15QS400-4TI	400	2
A15QS450-4	450	2
A15QS450-4IL	450	3
A15QS500-4	500	2
A15QS500-4IL	500	3
A15QS600-4	600	2
A15QS600-4IL	600	3
A15QS700-4	700	2
A15QS800-4	800	2
A15QS1000-4	1000	2
A15QS1000-4IL	1000	3
A15QS1000-4TI	1000	2
A15QS1000-128	1000	4
A15QS1000-128IL	1000	5
A15QS1200-128	1200	4
A15QS1200-128IL	1200	5
A15QS1500-128	1200	4
A15QS1500-128IL	1500	5
A15QS2000-128	2000	4
A15QS2000-128IL	2000	5
A15QS2500-128	2500	4
A15QS2500-128IL	2500	5
A15QS3000-128	3000	4
A15QS3000-128IL	3000	5
A15QS3500-128	3500	6
A15QS4000-128	4000	6
A15QS4000-128IL	4000	7
A15QS4500-128	4500	*
A15QS4500-128IR	4500	*
A15QS5000-128	5000	8
A15QS6000-128	6000	8

For ampere ratings and styles not listed, contact Technical Services at 978-465-4853 or TechnicalServices.EP@mersen.com.

A25X

Amp-Trap® Form 101, 250-300VAC; 10-4500A

A25X Amp-Trap® Form 101 High speed fuses are designed for heavy duty rectifiers such as those used in the electro-chemical industry. Originally designed for diode protection, A25X fuses have been particularly reliable in heavy duty applications of many types.

FEATURES/BENEFITS: FUSE BLOCKS:

- Low I²t minimizes damage to protected components on short circuit
- Controlled arc voltage reduces stress to circuit components during fuse clearing
- Choice of mounting types helps in equipment design

Current Rating I _n [A]	Catalog No.	Poles
1-30	20306	1
31-60	P243G	1
61-100	P243	1
101-200	P243	1
201-400	P243G	1
401-700	P243G	1
35-400	1SC250 or 1SCM8	1
450-800	1SC375 or 1SCM10	1

See Fusegear section for product details.



RATINGS:

- **AC:** 10-30VAC, 300VAC, 50kA IR
35-60A, 250VAC, 100kA IR
70-250A, 250VAC, 10,600 A IR
300-4500A, 250VAC

APPLICATIONS:

- Protection of heavy-duty rectifiers and similar heavy power supplies

APPROVALS:

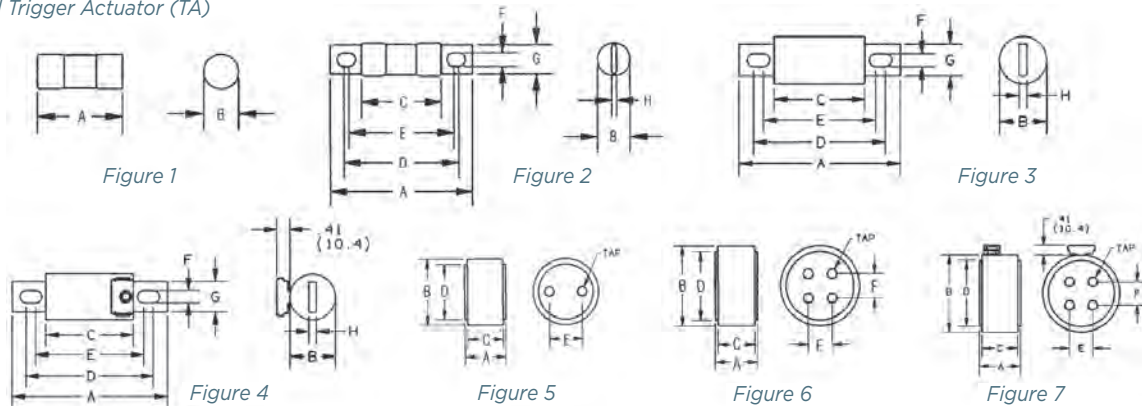
- UL Recognized Component
UL File E60314
- AC: 1-30A, 300VAC
35-60A, 250VAC
70-250A, 250VAC



DIMENSIONS:

Outline Ref.	Mounting Type	Fig.	Dimensions - Inches (mm)								Tap	
			A	B	C	D	E	F	G	H		
A25X1 to 30	1	1	2(50.8)	0.56(14.2)	-	-	-	-	-	-	-	-
A25X35 to 60	4	1	3.19(81.0)	0.81(20.6)	1.63(41.4)	2.50(63.5)	2.25(57.5)	0.34(8.6)	0.72(18.3)	0.13(3.3)	-	-
A25X70 to 200	4	3	3.13(79.56)	1.22(31.0)	1.63(41.4)	2.44(62)	2.31(58.7)	0.31(7.9)	1.00(25.4)	0.19(4.8)	-	-
A25X225 to 700	4, 4TA*	3, 4*	3.84(97.5)	1.5(38.1)	1.59(40.4)	2.91(73.9)	2.28(57.9)	0.41(10.4)	1.00(25.4)	0.25(6.4)	-	-
A25X800	4, 4TA*	3, 4*	3.84(97.5)	2(50.8)	1.59(41.4)	2.91(73.9)	2.28(57.9)	0.41(10.4)	1.50(38.1)	0.25(6.4)	-	-
A25X700 to 1200	128	5	2.59(65.8)	3(76.2)	2.34(59.4)	2.5(63.5)	1.5(38.1)	-	-	-	-	3/8-24-1/2 Deep
A25X1500 to 2500	128, 128TA*	6, 7*	2.59(65.8)	3.5(88.9)	2.34(59.4)	3.00(76.2)	1.5(38.1)	1.5(38.1)	-	-	-	3/8-24-1/2 Deep
A25X3000 to 4500	128, 128TA*	6, 7*	2.59(65.8)	4.5(114)	2.34(59.4)	3.75(95.3)	1.5(38.1)	1.5(38.1)	-	-	-	1/2-20-1/2 Deep

* Optional Trigger Actuator (TA)



CATALOG NUMBERS:

Catalog No.	Current Rating I _n (A)	Dimen. Fig.
A25X1-1	1	1
A25X2-1	2	1
A25X3-1	3	1
A25X4-1	4	1
A25X5-1	5	1
A25X6-1	6	1
A25X7-1	7	1
A25X8-1	8	1
A25X9-1	9	1
A25X10-1	10	1
A25X12-1	12	1
A25X15-1	15	1
A25X20-1	20	1
A25X25-1	25	1
A25X30-1	30	1
A25X35-4	35	2
A25X40-4	40	2
A25X50-4	50	2
A25X60-4	60	2
A25X70-4	70	3
A25X80-4	80	3
A25X90-4	90	3
A25X100-4	100	3
A25X100-4TA	100	4
A25X100-4TI	100	3
A25X125-4	125	3
A25X130-4	130	3
A25X150-4	150	3
A25X150-4TA	150	4
A25X150-4TI	150	3
A25X175-4	175	3
A25X200-4	200	3
A25X200-4TA	200	4
A25X200-4TI	200	3
A25X225-4	225	3
A25X250-4	250	3
A25X250-4TI	250	3

Catalog No.	Current Rating I _n (A)	Dimen. Fig.
A25X300-4	300	3
A25X300-4TA	300	4
A25X300-4TI	300	3
A25X350-4	350	3
A25X400-4	400	3
A25X400-4TA	400	4
A25X400-4TI	400	3
A25X450-4	450	3
A25X500-4	500	3
A25X500-4TA	500	4
A25X500-4TI	500	3
A25X550-4	550	3
A25X600-4	600	3
A25X600-4TA	600	4
A25X600-4TI	600	3
A25X700-4	700	3
A25X700-128	700	5
A25X800-4	800	3
A25X800-4TA	800	4
A25X800-128	800	5
A25X1000-128	1000	5
A25X1200-128	1200	5
A25X1500-128	1500	6
A25X1500-128TA	1500	7
A25X1600-128	1600	6
A25X2000-128	2000	6
A25X2000-128TA	2000	7
A25X2500-128	2500	6
A25X2500-128TA	2500	7
A25X3000-128	3000	6
A25X3500-128	3500	6
A25X3500-128TA	3500	7
A25X4000-128	4000	6
A25X4500-128	4500	6

For ampere ratings and styles not listed, contact Technical Services at 978-465-4853 or TechnicalServices.EP@mersen.com.

A30QS

Amp-Trap® Form 101, 300VAC/DC; 1-4500A

A30QS Amp-Trap® high speed fuses are intended for the protection of Power Semiconductors such as diodes, phase control SCRs and other power semiconductor devices. The A30QS is recommended for new applications.

FEATURES/BENEFITS: FUSE BLOCKS:

- Low I²t minimizes damage to protected component on short circuit
- Controlled arc voltage reduces stress to circuit components during fuse clearing
- Choice of mounting types helps in equipment design

Current Rating I _n [A]	Catalog No.	Poles
1-30	70316+US14	1
31-60	P243G	1
61-100	P243	1
101-200	P243	1
401-600	P243G	1
700-800	1SC375	1
35-400	1SC250 or 1SCM8	1
450-800	1SC375 or 1SCM10	1

See Fusegear section for product details.



RATINGS:

- **AC:** 1-4500A, 300VAC, 200kA IR
- **DC:** 1 to 4500A, 300VDC, 100kA IR, L/R≤10ms

APPLICATIONS:

- Protection of heavy duty rectifiers and similar heavy duty power supplies

APPROVALS:

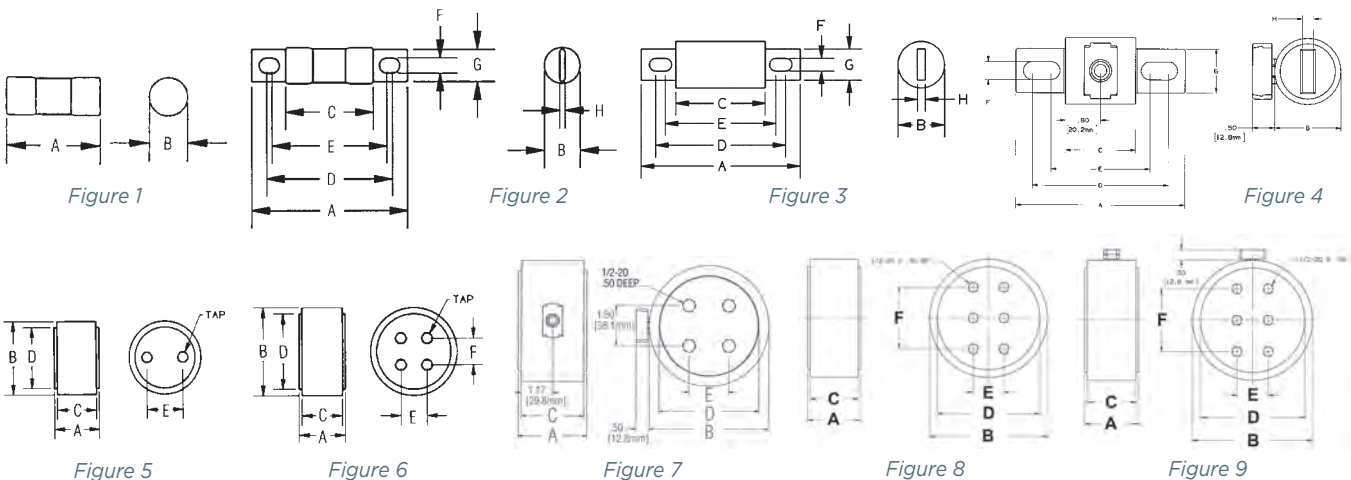
- UL Recognized Component
UL File E60314
- AC: 1-4500A, 300VAC
- DC: 1-4500A, 300VDC



DIMENSIONS:

Outline Ref.	Mounting Type	Fig.	Dimensions - Inches (mm)									Tap
			A	B	C	D	E	F	G	H		
A30QS1 to 30	1	1	2.00(51)	0.56(14)	-	-	-	-	-	-	-	-
A30QS35 to 60	4	2	3.19(81)	0.83(21)	1.63(41)	2.50(64)	2.25(58)	0.34(9)	.72(18)	0.13(3)	-	-
A30QS70 to 200	4	3	3.13(80)	1.22(31)	1.63(41)	2.44(62)	2.19(55)	0.31(8)	.75(31)	0.19(5)	-	-
A30QS225 to 700	4, 4IL*	3, 4*	3.84(98)	1.50(38)	1.59(40)	3.10(74)	2.28(58)	0.41(10)	1.00(25)	0.25(6)	-	-
A30QS700 to 1200	128	5	2.59(66)	3.00(76)	2.34(59)	2.50(64)	1.50(38)	-	-	-	3/8-24-1/2 Deep (2)	-
A30QS1500 to 2500	128, 128IL*	6, 7*	2.59(66)	3.50(76)	2.34(59)	3.00(64)	1.50(38)	1.50(38)	-	-	3/8-24-1/2 Deep (4)	-
A30QS3000 to 4500	128, 128IL*	6, 7*	2.59(66)	4.50(114)	2.34(59)	3.75(95)	1.50(38)	1.50(38)	-	-	1/2-20-1/2 Deep (4)	-
A30QS5000 to 6000	128, 128IL*	8, 9*	2.58(65.6)	5.75(146)	2.34(59)	5(127)	1.50(38)	3(76.2)	-	-	1/2-20-1/2 Deep (6)	-

* Optional (IL) indicator.



A30QS

Amp-Trap® Form 101, 300VAC/DC; 1-4500A

CATALOG NUMBERS:

Catalog No.	Current Rating I _n (A)	Dimen. Fig.
A30QS1-1	1	1
A30QS2-1	2	1
A30QS3-1	3	1
A30QS4-1	4	1
A30QS5-1	5	1
A30QS6-1	6	1
A30QS7-1	7	1
A30QS8-1	8	1
A30QS10-1	10	1
A30QS12-1	12	1
A30QS15-1	15	1
A30QS20-1	20	1
A30QS25-1	25	1
A30QS30-1	30	1
A30QS35-4	35	2
A30QS40-4	40	2
A30QS50-4	50	2
A30QS60-4	60	2
A30QS70-4	70	3
A30QS80-4	80	3
A30QS90-4	90	3
A30QS100-4	100	3
A30QS100-4TI	100	3
A30QS125-4	125	3
A30QS130-4	130	3
A30QS150-4	150	3
A30QS150-4TI	150	3
A30QS175-4	175	3
A30QS200-4	200	3
A30QS200-4TI	200	3
A30QS225-4	225	3
A30QS250-4	250	3
A30QS250-4TI	250	3

Catalog No.	Current Rating I _n (A)	Dimen. Fig.
A30QS300-4	300	3
A30QS300-4TI	300	3
A30QS350-4	350	3
A30QS400-4	400	3
A30QS400-4IL	400	4
A30QS400-4TI	400	3
A30QS450-4	450	3
A30QS500-4	500	3
A30QS550-4	550	3
A30QS600-4	600	3
A30QS600-4TI	600	3
A30QS600-4IL	600	4
A30QS700-4	700	4
A30QS700-128	700	5
A30QS800-4	800	3
A30QS800-4IL	800	4
A30QS800-128	800	5
A30QS1000-128	1000	5
A30QS1000-128IL	1000	5
A30QS1200-128	1200	5
A30QS1500-128	1500	6
A30QS1500-128IL	1500	7
A30QS1600-128	1600	6
A30QS2000-128	2000	6
A30QS2000-128IL	2000	7
A30QS2500-128	2500	6
A30QS2500-128IL	2500	7
A30QS3000-128	3000	6
A30QS3500-128	3500	6
A30QS3500-128IL	3500	7
A30QS4000-128	4000	6
A30QS4500-128	4500	6

For ampere ratings and styles not listed, contact Technical Services at 978-465-4853 or TechnicalServices.EP@mersen.com.

A50P

Amp-Trap® Form 101, 500VAC, 450VDC; 10-1600A

A50P Amp-Trap® Form 101 high speed fuses are developed for DC drives, uninterruptable power supplies and similar applications requiring better protection (lower I²t) and superior reliability. The A50P is typically used for replacement.

FEATURES/BENEFITS: FUSE BLOCKS:

- Low I²t minimizes damage to protected components on short circuit
- Controlled arc voltage reduces stress to circuit components during fuse clearing
- Choice of mounting types helps in equipment design

Current Rating I _n (A)	Mounting Type	Catalog No.	Poles
10-30	1	70316	1
35-60	4	P243G	1
70-200	4	P243E	1
225-600	4	P266C	1
900-1000	4	FH50F5	1
35-400	4	1SC250 or 1SCM8	1
450-800	4	1SC375 or 1SCM10	1

See Fusegear section for product details.



RATINGS:

- **AC:** 10-1200A, 500VAC, 100kA
1400-1600A, 500VAC
- **DC:** 10 to 800A, 450VDC,
79kA IR, L/R≤10ms
900-1200A, 500VDC,
10kA IR, L/R≤4ms

APPLICATIONS:

- Protection of DC drives, UPS and other equipment of 500 volts or less

APPROVALS:



- UL Recognized Component
UL File 60314
- AC: 10-1200A, 500VAC
- DC: 10-800A, 450VDC
900-1200A, 500VDC

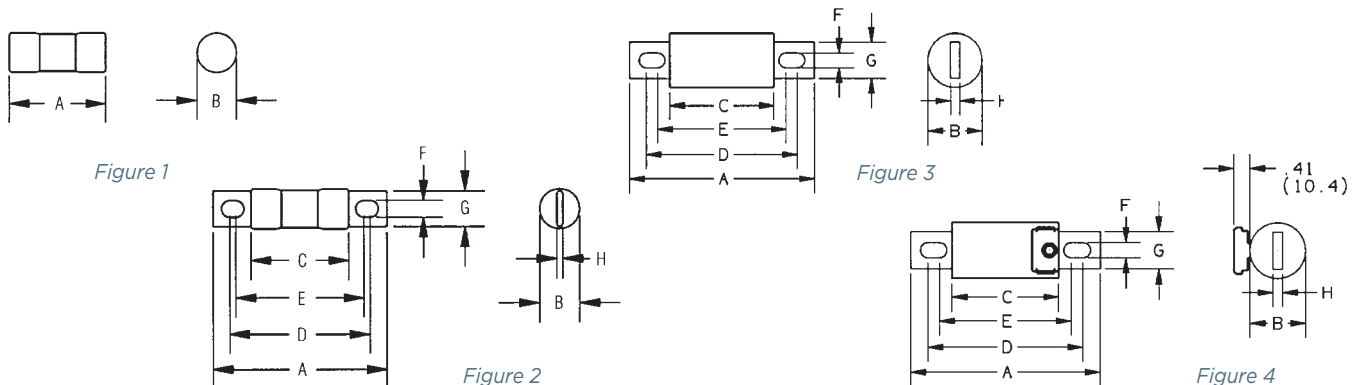
DIMENSIONS (CONT. ON NEXT PAGE):

Outline Ref.	Mounting Type	Fig.	Dimensions - Inches (mm)								
			A	B	C	D	E	F	G	H	
A50P10 to 30	1	1	2.00(50.8)	0.56(14.2)	-	-	-	-	-	-	-
A50P35 to 60	1DS*	1	2.25(57.2)	0.81(20.6)	-	-	-	-	-	-	-
A50P35 to 60	4	2	3.19(81.0)	0.81(20.6)	1.63(41.4)	2.50(63.5)	2.25(57.2)	0.348(6)	0.72(18.3)	0.13(3.3)	
A50P70 to 100	4	3	3.63(92.2)	1.00(25.4)	2.13(54.1)	2.94(74.7)	2.81(71.4)	0.31(7.9)	0.75(19.1)	0.13(3.3)	
A50P125 to 200	4, 4TA**	3, 4**	3.63(92.2)	1.22(31.0)	2.13(54.1)	2.94(74.7)	2.81(71.4)	0.31(7.9)	1.00(25.4)	0.19(4.8)	
A50P225 to 400	4, 4TA**	3, 4**	4.34(110)	1.50(38.1)	2.09(53.1)	3.41(86.6)	2.78(70.6)	0.41(10.4)	1.00(25.4)	0.25(6.4)	
A50P450 to 600	4, 4TA**	3, 4**	4.47(114)	2.00(50.8)	2.22(56.4)	3.53(89.7)	2.91(73.9)	0.41(10.4)	1.50(38.1)	0.25(6.4)	
A50P700 to 800	4, 4TA**	3, 4**	6.47(164)	2.50(63.5)	2.22(56.4)	4.63(118)	4.31(109)	0.53(13.5)	2.00(50.8)	0.38(9.7)	

* Use with 60306J fuse block

** Optional Trigger Actuator (TA)

*** Mounting hole is round, diameter F



A50P

Amp-Trap® Form 101, 500VAC, 450VDC; 10-1600A

DIMENSIONS (CONT. FROM PREVIOUS PAGE):

Outline Ref.	Mounting Type	Fig.	Dimensions - Inches (mm)										
			A	B	C	D	E	F	G	H	J	K	L
A50P900 to 1200	4	3	6.97 [177]	3.00 [76.2]	3.22 [81.8]	4.97 [126]	***	0.63 [16.0]	2.38 [60.5]	0.44 [11.1]	-	-	-
A50P1400 to 1600	4	5	10.22 [259.6]	4.38 [111.1]	3.22 [81.8]	6.22 [158]	5.22 [132.6]	1.75 [44.5]	3.5 (88.9)	0.75 (9.1)	8.72 [221.5]	1.62 [41.2]	8.97 [227.8]

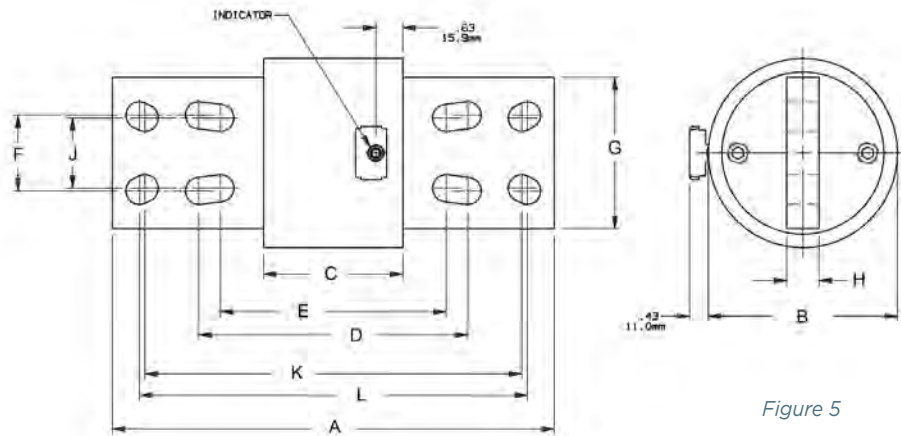


Figure 5

CATALOG NUMBERS:

Catalog No.	Current Rating I _n (A)	Dimen. Fig.
A50P10-1	10	1
A50P15-1	15	1
A50P20-1	20	1
A50P25-1	25	1
A50P30-1	30	1
A50P35-4	35	2
A50P40-4	40	2
A50P50-4	50	2
A50P60-4	60	2
A50P70-4	70	3
A50P80-4	80	3
A50P90-4	90	3
A50P100-4	100	3
A50P100-4TI	100	3
A50P125-4	125	3
A50P125-4TA	125	4
A50P125-4TI	125	3
A50P150-4	150	3
A50P150-4TI	150	3
A50P175-4	175	3
A50P175-4TI	175	3

Catalog No.	Current Rating I _n (A)	Dimen. Fig.
A50P200-4	200	3
A50P200-4TA	200	4
A50P200-4TI	200	3
A50P225-4	225	3
A50P250-4	250	3
A50P250-4TA	250	4
A50P250-4TI	250	3
A50P275-4	275	3
A50P300-4	300	3
A50P300-4TA	300	4
A50P300-4TI	300	3
A50P325-4	325	3
A50P350-4	350	3
A50P350-4TI	350	3
A50P400-4	400	3
A50P400-4TA	400	4
A50P400-4TI	400	3
A50P450-4	450	3
A50P450-4TI	450	3
A50P500-4	500	3
A50P500-4TI	500	3

Catalog No.	Current Rating I _n (A)	Dimen. Fig.
A50P600-4	600	3
A50P600-4TA	600	4
A50P600-4TI	600	3
A50P700-4	700	3
A50P700-4TA	700	4
A50P700-4TI	700	3
A50P800-4	800	3
A50P800-4TA	800	4
A50P800-4TI	800	3
A50P900-4	900	3
A50P1000-4	1000	3
A50P1000-4TI	1000	3
A50P1200-4	1200	3
A50P1200-4TI	1200	3
A50P1400-4	1400	5
A50P1400-4TA	1400	5
A50P1500-4	1500	5
A50P1600-4	1600	5
A50P1600-4TI	1600	5
A50P1600-4TA	1600	5

For ampere ratings and styles not listed, contact Technical Services at 978-465-4853 or TechnicalServices.EP@mersen.com.

A50QS

Amp-Trap® Form 101, 500VAC/DC; 35-1200A

A50QS Amp-Trap® Form 101 fuses grew out of the need to improve the overall performance of high speed fuses in response to new equipment requirements. The A50QS encompasses the best protection features – lower I²t to provide better protection for equipment, longer life when subjected to cyclic loading and lower watts loss. A50QS is today's best choice for the protection of dynamic solid state equipment such as motor drives, inverters, UPS, etc.



FEATURES/BENEFITS: FUSE BLOCKS:

- Lowest I²t for greatest protection of semiconductor circuits
- Low watts loss for cooler operation
- Superior cycling ability gives an equipment design advantage
- Ultra compact sizes allow down-sizing of existing equipment

Current Rating I _n (A)	Mounting Type	Catalog No.	Poles
35-200	4	P243E	1
225-600	4	P266C	1
900-1000	4	FH50F5*	1
35-400	4	1SC250 or 1SCM8	1
450-800	4	1SC375 or 1SCM10	1

*(not UL)

See Fusegear section for product details.

RATINGS:

- **AC:** 35-1200A, 500VAC, 200kA IR
- **DC:** 35-1200A, 500VDC, 87kA IR, L/R≤10ms

APPLICATIONS:

- Protection of 500V or less motor drives, UPS, inverters, etc.

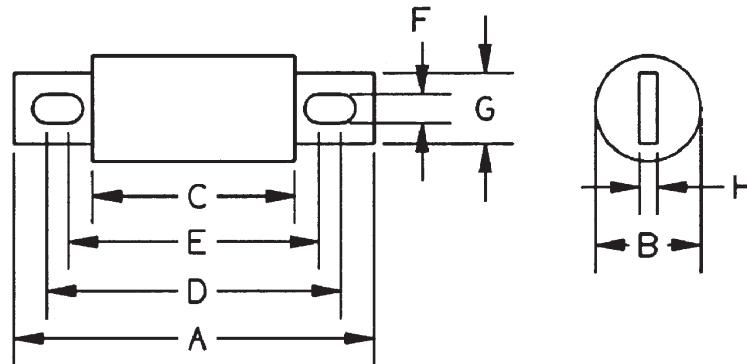
APPROVALS:

- UL Recognized Component UL File 60314
- CSA Certified LR12636
- AC: 35-1200A, 500VAC
- DC: 35-1200A, 500VDC



DIMENSIONS:

Catalog Number	Mounting Type	Dimensions - Inches (mm)							
		A	B	C	D	E	F	G	H
A50QS35 to 100	4	3.63(92.2)	1.00(25.4)	2.13(54.1)	2.94(74.7)	2.75(69.9)	0.31(7.9)	0.75(19.1)	0.13(3.3)
A50QS125 to 200	4	3.63(92.2)	1.22(31.0)	2.13(54.1)	2.94(74.7)	2.81(71.4)	0.31(7.9)	1.00(25.4)	0.19(4.8)
A50QS225 to 400	4	4.34(110)	1.50(38.1)	2.09(53.1)	3.41(86.6)	2.78(70.6)	0.41(10.4)	1.00(25.4)	0.25(6.4)
A50QS450 to 600	4	4.47(114)	2.00(50.8)	2.22(56.4)	3.53(89.7)	2.91(73.9)	0.41(10.4)	1.50(38.1)	0.25(6.4)
A50QS700 to 800	4	6.47(164.3)	2.38(60.3)	2.22(56.4)	5.00(127.0)	3.44(87.3)	.53(13.5)	2.00(50.8)	.38(9.8)
A50QS900 to 1200	4	6.97(177.0)	2.88(76.2)	3.22(81.8)	5.47(138.9)	4.47(113.5)	.63(15.9)	2.38(60.3)	.44(11.1)



A50QS

Amp-Trap® Form 101, 500VAC/DC; 35-1200A

CATALOG NUMBERS:

Catalog No.	Current Rating I_n (A)
A50QS35-4	35
A50QS40-4	40
A50QS50-4	50
A50QS60-4	60
A50QS70-4	70
A50QS80-4	80
A50QS90-4	90
A50QS100-4	100
A50QS125-4	125
A50QS150-4	150
A50QS175-4	175
A50QS200-4	200
A50QS225-4	225
A50QS250-4	250
A50QS300-4	300
A50QS350-4	350
A50QS400-4	400
A50QS450-4	450
A50QS500-4	500
A50QS600-4	600
A50QS700-4	700
A50QS800-4	800
A50QS900-4	900
A50QS1000-4	1000
A50QS1200-4	1200

For ampere ratings and styles not listed, contact Technical Services at 978-465-4853 or TechnicalServices.EP@mersen.com.

A60Q

Amp-Trap® Form 101, 600VAC/DC; 5-40A

A60Q Amp-Trap® Form 101 high speed fuses feature the only 600VAC/DC rating in the industry of similar size (1-1/2" x 13/32") fuses protecting semiconductors. A60Q also has the lowest I²t of all similar fuses and excellent cycling ability. Applications include inverters and small equipment requiring extremely fast response to faults, without the need to carry sustained heavy overloads.

FEATURES/BENEFITS:

- Lowest I²t of any fuse this size for greater protection
- Excellent cycling ability gives advantage in equipment design
- 600VAC/DC rated

FUSE HOLDERS:

USM Series	UltraSafe™ Fuse Holders
303 Series	Midget Fuse Blocks

See Fusegear section for product details.



RATINGS:

- **AC:** 5-40A, 600VAC, 200kA IR
- **DC:** 5-40A, 600VDC, 100 kA IR, L/R ≤ 10ms

APPLICATIONS:

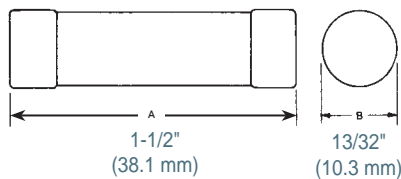
- Protection of small inverters and drives, and equipment requiring the highest degree of protection

APPROVALS:

- UL Recognized component File E60314
- AC: 5-40A, 600VAC
- DC: 5-40A, 600VDC



DIMENSIONS:



CATALOG NUMBERS:

Catalog No.	Ampere Rating
A6005-2	5
A6006-2	6
A6008-2	8
A60010-2	10
A60012-2	12
A60015-2	15
A60020-2	20
A60025-2	25
A60030-2	30
A60035-2	35
A60040-2	40

For ampere ratings and styles not listed, contact Technical Services at 978-465-4853 or TechnicalServices.EP@mersen.com.

HSJ

600VAC, 1-600A/500VDC , 15-600A

The High Speed J (HSJ) fuse combines the low I²t of a semiconductor fuse and the branch circuit performance of a Class J fuse. This fuse was designed for the starting characteristics of solid state motor controllers. The HSJ can provide branch circuit protection per NEC requirements, as well as very low I²t for protection of power semiconductors.

FEATURES/BENEFITS: RELATED PRODUCTS:

- Optimized over-load capability to withstand elevated levels of current during electronic motor controller starts
- Low I²t (thermal energy)
- Excellent cycling ability for frequent starts/stops without nuisance opening
- Mersen certified for 600VAC, 300kA IR

Current Rating I _n [A]	Catalog Number 600V or Less	
	1-Pole	3-Pole
0-30	US3J1I	US3J3I
31-60	US6J1I	US6J3I
61-100	61036J	61038J
101-200	62001J	62003J
201-400	64031J	64033J
401-600	6631J	6633J

See Fusegear section for product details.



RATINGS:

- AC:** 15-600V, 600VAC, 200kA IR
- DC:** 15-600A, 500VDC, 100kA IR, L/R ≤ 10ms
15-600A, 950VDC*

*Contact Tech Services for details

APPLICATIONS:

- Branch circuits
- Control panels
- Electronic motor controllers
- Phase controllers
- Drives
- Soft-starters
- Solid state relays

APPROVALS:

- UL Listed File E2137
- AC: 15-600A, 600VAC
- DC: 15-600A, 500VDC
15-600A, 950VDC*
- CSA certified to standard C22.2 no. 248.8



DIMENSIONS:

Ampere Rating	Dimen. Fig.	A		B		C		D		E		F		G		H	
		in	mm	in	mm	in	mm	in	mm	in	mm	in	mm	in	mm	in	mm
1-30	1	2-1/4	57	13/16	21	-	-	-	-	-	-	-	-	-	-	-	-
31-60	1	2-3/8	60	1-1/16	27	-	-	-	-	-	-	-	-	-	-	-	-
61-100	2	4-4/8	117	1-1/8	29	1/8	3.2	3/4	19	1	25	3-5/8	92	3/8	10	9/32	7
101-200	2	5-3/4	146	1-5/8	41	3/16	4.8	1-1/8	29	1-3/8	35	4-3/8	111	3/8	10	9/32	7
201-400	2	7-1/8	181	2-1/8	54	1/4	6.3	1-5/8	41	1-7/8	48	5-1/4	133	17/32	13	13/32	10
401-600	2	8	203	2-1/2	64	3/8	9.5	2	51	2-1/8	54	6	152	11/16	18	17/32	13

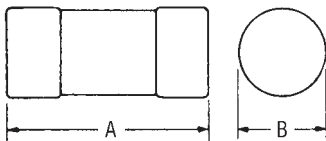


Figure 1: 1-60A

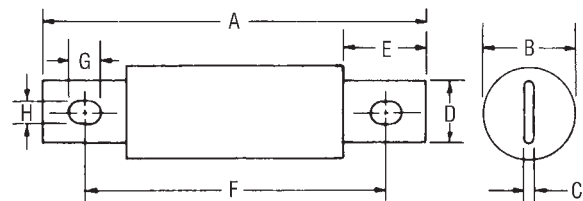


Figure 2: 61-600A

CATALOG NUMBERS:

Catalog No.	Current Rating I _n (A)	Dimen. Fig.
HSJ1	1	1
HSJ3	3	1
HSJ6	6	1
HSJ10	10	1
HSJ15	15	1
HSJ17-1/2	17-1/2	1
HSJ20	20	1
HSJ25	25	1
HSJ30	30	1
HSJ35	35	1
HSJ40	40	1
HSJ45	45	1
HSJ50	50	1
HSJ60	60	1
HSJ70	70	2
HSJ80	80	2
HSJ90	90	2
HSJ100	100	2
HSJ110	110	2
HSJ125	125	2
HSJ150	150	2
HSJ175	175	2
HSJ200	200	2
HSJ225	225	2
HSJ250	250	2
HSJ300	300	2
HSJ350	350	2
HSJ400	400	2
HSJ450	450	2
HSJ500	500	2
HSJ600	600	2

A60X

Amp-Trap® Form 101, 600VAC; 1-2000A

A60X Amp-Trap® Form 101 high speed fuses are popular for the protection of higher voltage heavy rectifiers such as traction rectifiers. They can carry long sustained overloads common with heavy duty apparatus. 700A through 2000A sizes are of compact, hockey-puck design, able to provide high power protection in a small space.

FEATURES/BENEFITS: FUSE BLOCKS:

- Low I²t minimizes damage to protected components on short circuit
- Controlled arc voltage reduces stress to circuit components during fuse clearing
- Choice of mounting types helps in equipment design

Current Rating I _n [A]	Catalog No.	Poles
1-30	60316	1
31-60	P243C	1
61-100	P243C	1
101-200	P243C	1
201-400	P266A	1
401-600	P266A	1
35-400	1SC250 or 1SCM8	1
450-800	1SC375 or 1SCM10	1

See Fusegear section for product details.



RATINGS:

- AC: 1-30A, 600VAC
35-800A, 600VAC, 200kA IR
900-2000A, 600VAC

APPLICATIONS:

- Protection of heavy traction and electrochemical as well as rectifiers and other heavy-duty equipment

APPROVALS:

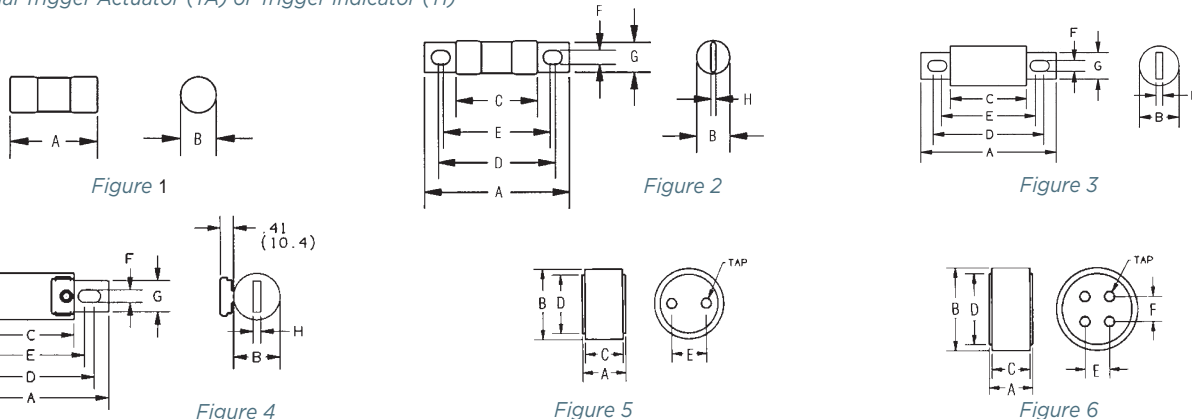
- UL Recognized Component
UL file E60314
- AC: 35-800A, 600VAC



DIMENSIONS:

Outline Ref.	Mounting Type	Fig.	Dimensions - Inches (mm)									Tap
			A	B	C	D	E	F	G	H		
A60X1 to 30	1	1	5.00[127]	.81[20.6]	-	-	-	-	-	-	-	-
A60X35 to 60	4	2	4.38[111]	.81[20.6]	2.78[70.6]	3.69[93.7]	3.44[87.4]	.34[8.6]	.72[18.3]	.13[3.3]	-	-
A60X70 to 100	4, 4TI*, 4TA	3, 4	4.41[112]	1.00[25.4]	2.91[73.9]	3.72[94.5]	3.59[91.2]	.31[7.9]	.75[19.1]	.13[3.3]	-	-
A60X125 to 200	4, 4TI*, 4TA	3, 4	4.41[112]	1.22[31.0]	2.91[73.9]	3.72[94.5]	3.59[91.2]	.31[7.9]	1.00[25.4]	.19[4.8]	-	-
A60X225 to 400	4, 4TI*, 4TA	3, 4	5.13[130]	1.50[38.1]	2.88[73.2]	4.19[106]	3.56[90.4]	.41[10.4]	1.00[25.4]	.25[6.4]	-	-
A60X450 to 600	4, 4TI*, 4TA	3, 4	5.13[130]	2.00[50.8]	2.88[73.2]	4.06[103]	3.69[93.7]	.41[10.4]	1.50[38.1]	.25[6.4]	-	-
A60X700 to 800	4, 4TA*	3, 4	7.25[184]	2.50[63.5]	3.00[76.2]	5.94[151]	4.56[116]	.53[13.5]	2.00[50.8]	.38[9.7]	-	-
A60X700 to 800	128	5	4.00[102]	3.00[76.2]	3.75[95.3]	2.50[63.5]	1.50[38.1]	-	-	-	-	3/8-24-1/2 Deep
A60X1000 to 1200	128	6	4.00[102]	3.50[88.9]	3.75[95.3]	3.00[76.2]	1.50[38.1]	1.50[38.1]	-	-	-	3/8-24-1/2 Deep
A60X1500 to 2000	128	6	4.00[102]	4.50[114]	3.75[95.3]	3.75[95.3]	1.50[38.1]	1.50[38.1]	-	-	-	1/2-20-1/2 Deep

* Optional Trigger Actuator (TA) or Trigger Indicator (TI)



A60X

Amp-Trap® Form 101, 600VAC; 1-2000A

CATALOG NUMBERS:

Catalog No.	Current Rating I _n (A)	Dimen. Fig.
A60X1-1	1	1
A60X2-1	2	1
A60X3-1	3	1
A60X4-1	4	1
A60X5-1	5	1
A60X6-1	6	1
A60X7-1	7	1
A60X8-1	8	1
A60X10-1	10	1
A60X12-1	12	1
A60X15-1	15	1
A60X20-1	20	1
A60X25-1	25	1
A60X30-1	30	1
A60X35-4	35	2
A60X40-4	40	2
A60X45-4	45	2
A60X50-4	50	2
A60X55-4	55	2
A60X60-4	60	2
A60X70-4	70	3
A60X80-4	80	3
A60X80-4TA	80	4
A60X90-4	90	3
A60X100-4	100	3
A60X100-4TA	100	4
A60X125-4	125	3
A60X125-4TA	125	4
A60X150-4	150	3
A60X150-4TA	150	4
A60X175-4	175	3
A60X200-4	200	3
A60X200-4TA	200	4
A60X200-4TI	200	3

Catalog No.	Current Rating I _n (A)	Dimen. Fig.
A60X225-4	225	3
A60X250-4	250	3
A60X250-4TA	250	4
A60X250-4TI	250	3
A60X300-4	300	3
A60X300-4TA	300	4
A60X300-4TI	300	3
A60X350-4	350	3
A60X350-4TA	350	4
A60X400-4	400	3
A60X400-4TA	400	4
A60X400-4TI	400	3
A60X450-4	450	3
A60X450-4TA	450	4
A60X500-4	500	3
A60X500-4TA	500	4
A60X500-4TI	500	3
A60X600-4	600	3
A60X600-4TA	600	4
A60X600-4TI	600	3
A60X700-4	700	3
A60X700-128	700	7
A60X800-4	800	3
A60X800-4TA	800	4
A60X800-128	800	7
A60X1000-128	1000	8
A60X1200-128	1200	8
A60X1500-128	1500	8
A60X1600-128	1600	8
A60X1800-128	1800	8
A60X2000-128	2000	8

For ampere ratings and styles not listed, contact Technical Services at 978-465-4853 or TechnicalServices.EP@mersen.com.

A70P

Amp-Trap® Form 101, 700VAC, 650VDC; 10-2000A

A70P Amp-Trap® Form 101 high speed fuses are developed for higher voltage AC and DC drives, UPS systems, reduced voltage motor starters and similar applications where lower I²t and superior reliability are needed. A70P is available in a wide range of ratings and is typically used for replacement.

FEATURES/BENEFITS: FUSE BLOCKS:

- Low I²t minimizes damage to protected components on short circuit
- Controlled arc voltage reduces stress to circuit components during fuse clearing
- Choice of mounting types helps in equipment design

Current Rating I _n [A]	Catalog No.	Poles
10-30 (Type 1)	70316	1
31-60	P243C	1
61-100	P243C	1
101-200	P266A	1
201-400	P266A	1
401-600	P266F	1
601-800	1SC375	1
35-400	1SC250 or 1SCM8	
450-800	1SC375 or 1SCM10	

See Fusegear section for product details.



RATINGS:

- **AC:** 10-800A, 700VAC, 100kA IR
1000-2000A, 700VAC, 200kA IR
- **DC:** 10-1600A, 650VDC, 100kA IR, L/R≤10ms
2000A, 550VDC, 100kA IR, L/R≤10ms

APPLICATIONS:

- Protection of 700V or less DC drives, UPS, inverters, reduced voltage starters, etc.

APPROVALS:

- UL Recognized Component
UL File E60314
- AC: 10-2000A, 700VAC
- DC: 10-1600A, 650VDC
2000A, 550VDC



DIMENSIONS:

Outline Ref.	Mounting Type	Fig.	Dimensions - Inches [mm]									
			A	B	C	D	E	F	G	H	J	
A70P10 to 30	1	1	2.00[50.8]	.56[14.2]	-	-	-	-	-	-	-	-
A70P10 to 30	4	2	2.88[73.2]	.56[14.2]	1.88[47.8]	2.50[63.5]	-	.27[6.9]	.41[10.4]	-	-	
A70P35 to 60	4, 4TA**, 4TI	3, 4**	4.38[111]	1.00[25.4]	2.88[73.2]	3.69[93.7]	3.50[88.9]	.31[7.9]	.75[19.1]	.13[3.2]	-	
A70P70 to 100	4, 4TA**, 4TI	3, 4**	4.38[111]	1.22[31.0]	2.88[73.2]	3.69[93.7]	3.56[90.4]	.31[7.9]	1.00[25.4]	.19[4.8]	-	
A70P125 to 200	4, 4TA**, 4TI	3, 4**	5.09[129]	1.50[38.1]	2.84[72.1]	4.16[106]	3.53[89.7]	.41[10.4]	1.00[25.4]	.25[6.4]	-	
A70P225 to 400	4, 4TA**, 4TI	3, 4**	5.09[129]	2.00[50.8]	2.84[72.1]	4.16[106]	3.53[89.7]	.41[10.4]	1.50[38.1]	.24[6.4]	-	
A70P450 to 600	4, 4TA**, 4TI	3, 4**	7.09[180]	2.38[60.5]	2.84[72.1]	5.25[133]	4.94[125]	.53[13.5]	2.00[50.8]	.38[9.7]	-	
A70P700 to 800	4, 4TI	5	6.81[173]	2.88[73.2]	3.31[84.1]	5.31[135]	-	.63[16.0]	2.00[50.8]	.38[9.7]	.31[7.9]	
A70P900 to 1000	4, 4TI	6	7.59[193]	3.50[88.9]	3.84[97.5]	5.97[152]	5.22[133]	.63[16.0]	2.75[69.9]	.50[12.7]	1.38[35.1]	

** Optional Trigger Actuator



Figure 1

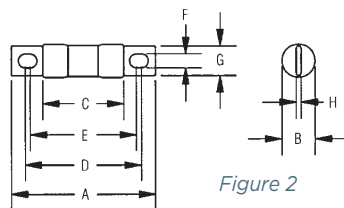


Figure 2

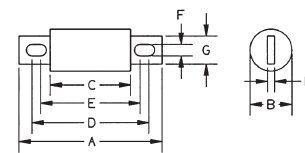


Figure 3

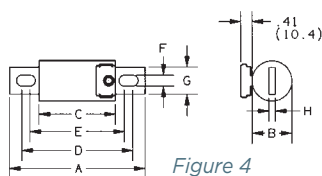


Figure 4

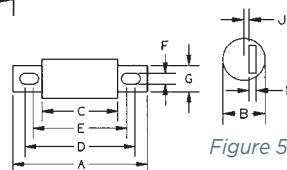


Figure 5

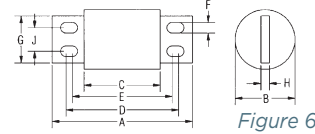


Figure 6

For ampere ratings and styles not listed, contact Technical Services at 978-465-4853 or TechnicalServices.EP@mersen.com.

A70P

Amp-Trap® Form 101, 700VAC, 650VDC; 10-2000A

CATALOG NUMBERS:

Catalog No.	Current Rating I _n (A)	Dimen. Fig.
A70P10-1	10	1
A70P10-4	10	2
A70P15-1	15	1
A70P15-4	15	2
A70P20-1	20	1
A70P25-1	25	1
A70P25-4	25	2
A70P30-1	30	1
A70P30-4	30	2
A70P35-4	35	3
A70P40-4	40	3
A70P40-4TA	40	4
A70P40-4TI	40	3
A70P50-4	50	3
A70P60-4	60	3
A70P60-4TA	60	4
A70P60-4TI	60	3
A70P70-4	70	3
A70P70-4TI	70	3
A70P80-4	80	3
A70P80-4TA	80	4
A70P80-4TI	80	3
A70P90-4	90	3
A70P100-4	100	3
A70P100-4TA	100	4
A70P125-4	125	3
A70P125-4TA	125	4
A70P150-4	150	3
A70P150-4TA	150	4
A70P150-4TI	150	3
A70P175-4	175	3

Catalog No.	Current Rating I _n (A)	Dimen. Fig.
A70P200-4	200	3
A70P200-4TA	200	4
A70P200-4TI	200	3
A70P225-4	225	3
A70P250-4	250	3
A70P250-4TA	250	4
A70P250-4TI	250	3
A70P300-4	300	3
A70P350-4	350	3
A70P400-4	400	3
A70P400-4TA	400	4
A70P400-4TI	400	3
A70P450-4	450	3
A70P500-4	500	3
A70P600-4	600	3
A70P600-4TA	600	4
A70P600-4TI	600	3
A70P700-4	700	5
A70P700-4TI	700	5
A70P800-4	800	5
A70P800-4TI	800	5
A70P900-4	900	6
A70P1000-4	1000	6
A70P1200-4*	1200	*
A70P1400-4*	1400	*
A70P1500-4*	1500	*
A70P1600-4*	1600	*
A70P1600-4TI*	1600	*
A70P1600-4TA*	1600	*
A70P2000-4*	2000	*
A70P2000-4TA*	2000	*

* Contact Technical Services for more information about A70P fuses rated above 1000A.

For ampere ratings and styles not listed, contact Technical Services at 978-465-4853 or TechnicalServices.EP@mersen.com.

A70Q

Amp-Trap® Form 101, 700VAC, 650VDC; 35-600A

A70Q Amp-Trap® high speed fuses were developed for inverter applications requiring extremely low I²t. A70Q fuses provide the most responsive protection for applications not required to sustain heavy overloads. Typically used for replacement purposes.

FEATURES/BENEFITS: FUSE BLOCKS:

- Lowest I²t of any fuse in this voltage rating for best overall protection
- 700VAC, 650VDC rating allows protection of greater variety of circuits
- Solid fill technology for extra reliability in performance

Current Rating I _n [A]	Catalog No.	Poles
35-100	P243C	1
125-400	P266A	1
450-600	P266F	1
35-400	1SC250 or 1SCM8	1
250-600	1SC375 or 1SCM10	1

See Fusegear section for product details.



RATINGS:

- **AC:** 35-600A, 700VAC, 200kA IR
- **DC:** 35-600A, 650VDC, 100kA IR, L/R≤10ms

APPLICATIONS:

- Protection of inverters and other equipment requiring the best AC or DC protection in this voltage range

APPROVALS:

- UL Recognized Component UL File E60314
- AC: 35-600A, 700VAC
- DC: 35-600A, 650VDC



DIMENSIONS:

Catalog No.	Mounting Type	Dimensions - Inches [mm]							
		A	B	C	D	E	F	G	H
A70Q35 to 60	4	4.37[111]	1.22[31.0]	1.96[49.8]	3.69[93.7]	2.91[73.9]	.34[8.6]	1.00[25.4]	.19[4.8]
A70Q70 to 100	4	4.37[111]	1.22[31.0]	1.96[49.8]	3.69[93.7]	2.91[73.9]	.41[10.4]	1.00[25.4]	.19[4.8]
A70Q125 to 200	4	5.09[129]	1.50[38.1]	1.96[49.8]	4.16[106]	2.91[73.9]	.41[10.4]	1.00[25.4]	.25[6.4]
A70Q250 to 400	4	5.09[129]	2.00[50.8]	1.96[49.8]	4.00[102]	2.94[74.7]	.56[14.2]	1.50[38.1]	.25[6.4]
A70Q450 to 600	4	7.09[180]	2.50[63.5]	1.96[49.8]	5.72[145]	3.25[82.6]	.56[14.2]	2.00[50.8]	.38[9.7]

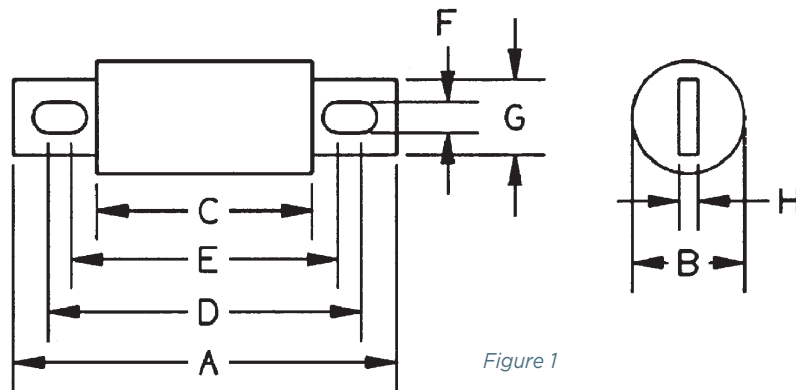


Figure 1

CATALOG NUMBERS:

Catalog No.	Current Rating I _n [A]
A70Q35-4	35
A70Q40-4	40
A70Q50-4	50
A70Q60-4	60
A70Q70-4	70
A70Q80-4	80
A70Q90-4	90
A70Q100-4	100
A70Q125-4	125
A70Q150-4	150
A70Q175-4	175
A70Q200-4	200
A70Q250-4	250
A70Q300-4	300
A70Q350-4	350
A70Q400-4	400
A70Q450-4	450
A70Q500-4	500
A70Q600-4	600

For ampere ratings and styles not listed, contact Technical Services at 978-465-4853 or TechnicalServices.EP@mersen.com.

A70QS

Amp-Trap® French Cylindrical, 700VAC, 700VDC; 6-100A

These Premium Amp-Trap® French Cylindrical high speed fuses are an extension of the popular A70QS product line. They are solid-fill 14mm and 22mm fuses, IEC rated 690VAC, 200kA Interrupting and 700VDC, 100kA interrupting at 10ms time constant. In addition, these fuses have an 890 VDC rating for capacitor discharge applications up to 2.5ms time constant. All ampere ratings are available with a striker. Applications include small inverter drives and UPS systems, with superior I²t for improved protection and performance.



FEATURES/BENEFITS: FUSE BLOCKS:

- International 14x51 mm (2"x9/16") and 22x58mm (2-1/4"x13/16") sizes for worldwide acceptance
- Ferrule mount up to 100A for design versatility
- Very low I²t for improved semiconductor protection
- 700VDC rated for DC protection of equipment with L/R ≤10ms
- Superior cycling ability for longer life on difficult cyclic loading applications
- aR characteristic for semiconductor short-circuit protection
- IEC Tested for 760VAC, IEC rated 690V, tested to 750VAC

Catalog No.	
A70QS-14F or 14FI	UltraSafe™ US14
	703
	U705
A70QS-22F or 22FI	UltraSafe US22
	U710

See Fusegear section for product details.

APPLICATIONS:

- Small inverters, UPS systems, motor drives and similar 700V or less equipment

APPROVALS:

- UL recognized component File E76491
- CSA Certified
- IEC 269-4 Compliance
- AC: 6-100A, 700VAC
- DC: 6-100A, 700VDC



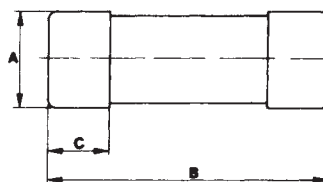
RATINGS:

- **AC:** 6-100A, 700VAC, 200kA IR
- **DC:** 6-100A, 700VDC, 100kA IR, L/R ≤10ms

DIMENSIONS:

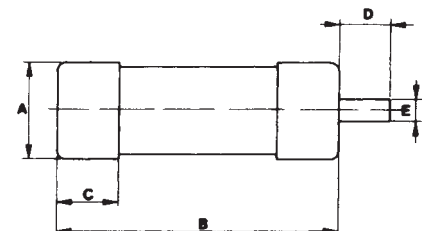
No Striker

Fuse Size	Dimensions-mm		
	A	B	C
14 X 51	14	51	14
22 X 58	22	58	16



With Striker

Fuse Size	Dimensions-mm				
	A	B	C	D	E
14 X 51	14	51	14	7.5	3.8
22 X 58	22	58	16	7.5	3.8



A70QS

Amp-Trap® French Cylindrical, 700VAC, 700VDC; 6-100A

CATALOG NUMBERS:

Catalog Number		Current Rating I_n (A)	Body Size (mm)
No Striker	With Striker		
A70QS6-14F	A70QS6-14FI	6	14 x 51
A70QS8-14F	A70QS8-14FI	8	
A70QS10-14F	A70QS10-14FI	10	
A70QS12-14F	A70QS12-14FI	12	
A70QS16-14F	A70QS16-14FI	16	
A70QS20-14F	A70QS20-14FI	20	
A70QS25-14F	A70QS25-14FI	25	
A70QS32-14F	A70QS32-14FI	32	
A70QS40-14F	A70QS40-14FI	40	
A70QS50-14F	A70QS50-14FI	50	
A70QS10-22F	A70QS10-22FI	10	
A70QS15-22F	A70QS15-22FI	15	
A70QS20-22F	A70QS20-22FI	20	
A70QS25-22F	A70QS25-22FI	25	
A70QS32-22F	A70QS32-22FI	32	
A70QS40-22F	A70QS40-22FI	40	
A70QS50-22F	A70QS50-22FI	50	
A70QS63-22F	A70QS63-22FI	63	
A70QS70-22F	A70QS70-22FI	70	
A70QS80-22F	A70QS80-22FI	80	
A70QS90-22F	A70QS90-22FI	90	
A70QS100-22F	A70QS100-22FI	100	

A70QS

Amp-Trap® Form 101, 700VAC/VDC; 35-800A

A70QS Amp-Trap® high speed fuses were developed in response to the need for improved overall performance of 700V high speed fuses for new equipment requirements. A70QS fuses have lower I²t for better protection, longer life when subjected to cyclic loading, plus lower watts loss.

FEATURES/BENEFITS: FUSE BLOCKS:

- Very Low I²t for improved protection of equipment
- Superior cycling ability for long, reliable life on high cyclic loading
- Low watts loss for cooler operation
- 700VAC/DC rating gives greater design versatility
- Ultra compact sizes allow down-sizing of existing equipment

Fuse Mounting Type	Current Rating I _n (A)	Catalog No.	Poles
A70QS-4	35-200	P243C	1
A70QS 4K	35-400	1SCM8	1
A70QS-4	35-400	1SC250	1
A70QS-4K	125-200	P266A	1
A70QS-4	225-600	P266A	1
A70QS-4K	450-600	FH70F3	1
A70QS 4K	450-800	1SCM10	1
A70QS-4	450-800	1SC375	1
A70QS-4	700-800	1SC375	1

See Fusegear section for product details.



RATINGS:

- **AC:** 35-800A, 700VAC, 200kA IR
- **DC:** 35-800A, 700VDC, 100kA IR, L/R≤10ms

APPLICATIONS:

- Protection of 700V or less motor drives, UPS, inverters, etc.

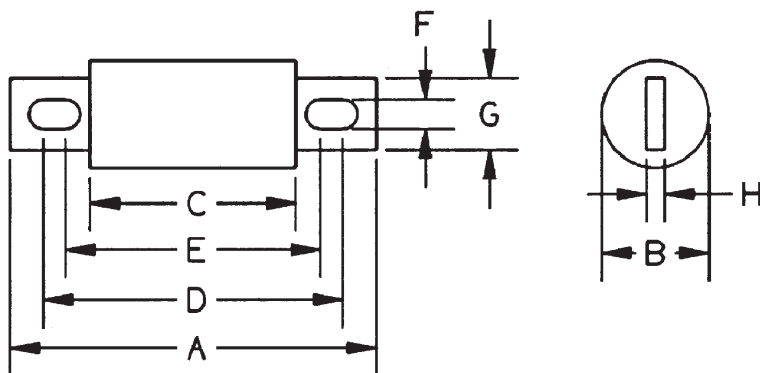
APPROVALS:

- UL Recognized Component UL File E60314
- AC: 35-800A, 700VAC
- DC: 35-800A, 700VDC
- CSA certified File LR 12636



DIMENSIONS:

Outline Ref.	Mounting Type	Dimensions - Inches (mm)							
		A	B	C	D	E	F	G	H
A70QS35 to 100	4	4.38(111)	1.00(25.4)	2.88(73.0)	3.69(93.6)	3.50(88.9)	0.31(7.9)	0.75(19.0)	0.13(3.2)
A70QS125 to 200	4	4.38(111)	1.22(31.0)	2.88(73.0)	3.69(93.6)	3.56(90.5)	0.31(7.9)	1.00(25.4)	0.19(4.8)
A70QS125 to 200	4K	5.09(129)	1.22(31.0)	2.88(73.0)	4.19(106)	3.50(88.0)	0.41(10.3)	1.00(25.4)	0.19(4.8)
A70QS225 to 400	4	5.09(129)	1.50(38.1)	2.84(72.2)	4.16(106)	3.53(89.7)	0.40(10.3)	1.00(25.4)	0.25(6.4)
A70QS450 to 600	4	5.09(129)	2.00(50.8)	2.84(72.2)	4.16(106)	3.53(89.7)	0.41(10.3)	1.50(38.1)	0.25(6.4)
A70QS450 to 600	4K	7.09(180)	2.00(50.8)	2.84(72.2)	6.16(156)	3.53(89.7)	0.53(13.5)	1.50(38.1)	0.25(6.4)
A70QS700 to 800	4	7.09(180)	2.50(63.5)	2.84(72.2)	5.28(134)	4.91(125)	0.53(13.5)	2.00(50.8)	0.38(9.5)



A70QS

Amp-Trap® Form 101, 700VAC/VDC; 35-800A

CATALOG NUMBERS:

Catalog No.	Current Rating I _n (A)
A70QS35-4	35
A70QS40-4	40
A70QS50-4	50
A70QS60-4	60
A70QS70-4	70
A70QS80-4	80
A70QS90-4	90
A70QS100-4	100
A70QS125-4	125
A70QS125-4K	125
A70QS150-4	150
A70QS150-4K	150
A70QS175-4	175
A70QS175-4K	175

Catalog No.	Current Rating I _n (A)
A70QS200-4	200
A70QS200-4K	200
A70QS225-4	225
A70QS250-4	250
A70QS300-4	300
A70QS350-4	350
A70QS400-4	400
A70QS450-4	450
A70QS450-4K	450
A70QS500-4	500
A70QS500-4K	500
A70QS600-4	600
A70QS600-4K	600
A70QS700-4	700
A70QS800-4	800

* For ampere ratings and styles not listed (including indicators), contact Technical Services at 978-465-4853 or TechnicalServices.EP@mersen.com.

A100P

Amp-Trap® Form 101, 1000VAC; 15-2000A

A100P Amp-Trap® Form 101 high speed fuses are rated 1000V, extending the range of protection for UPS systems, AC and DC drives, reduced voltage motor starters and similar applications where lower I²t and superior reliability are needed.

FEATURES/BENEFITS:

- Low I²t minimizes damage to protected components on short circuit
- Controlled arc voltage reduces stress to circuit components during fuse clearing
- Wide range of ampere ratings

FUSE BLOCKS:

Current Rating I _n [A]	Catalog No.	Poles
35-100	P266G	1
125-400	P266L	1
35-400	1SC250 or 1SCM8	1
500-800	1SC375 or 1SCM10	1

See Fusegear section for product details.



RATINGS:

- **AC:** 15-30A, 1000VAC
35-600A, 1000VAC, 100ka IR
650-2000A, 1000VAC

APPLICATIONS:

- Protection of UPS systems
AC/DC drives, reduced
voltage motor starters and
other semiconductor devices

APPROVALS:

- UL Recognized Component
File E60314
- AC: 35-600A, 1000VAC



DIMENSIONS:

Outline Ref.	Mounting Type	Fig.	Dimensions - Inches (mm)									
			A	B	C	D	E	F	G	H	J	
A100P15 to 30	1	1	2.63(66.8)	0.56(14.2)	-	-	-	-	-	-	-	-
A100P35 to 60	4, 4TI	2	5.00(127)	1.00(25.4)	3.50(88.9)	4.31(109)	4.19(106)	0.31(7.9)	0.75(19.1)	0.13(3.3)	-	-
A100P65 to 100	4, 4TI	2	5.00(127)	1.22(31.0)	3.50(88.9)	4.31(109)	4.19(106)	0.31(7.9)	1.00(25.4)	0.19(4.8)	-	-
A100P125 to 200	4, 4TI	2	5.72(145)	1.50(38.1)	3.47(88.1)	4.78(121)	4.16(106)	0.41(10.4)	1.00(25.4)	0.25(6.4)	-	-
A100P225 to 400	4, 4TI	2	5.72(145)	2.00(50.8)	3.47(88.1)	4.78(121)	4.16(106)	0.41(10.4)	1.50(38.1)	0.25(6.4)	-	-
A100P500 to 600	4, 4TI	2	7.72(196)	2.50(63.5)	3.47(88.1)	5.88(149)	5.56(141)	0.53(13.5)	2.00(50.8)	0.38(9.7)	-	-
A100P650 to 800	4, 4TI	2	7.44(189)	2.88(73.2)	3.94(100)	5.94(151)	-	0.63(16.0)	2.00(50.8)	0.38(9.7)	-	-
A100P1000	4	2	8.22(209)	3.38(85.9)	4.47(114)	6.59(167)	5.84(148)	0.63(16.0)	2.75(69.9)	0.50(12.7)	1.38(35.1)	-

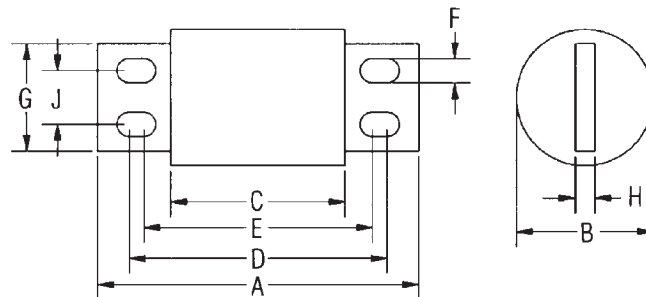
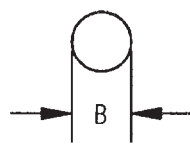
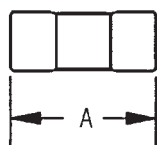


Figure 1

Figure 2

For ampere ratings and styles not listed, contact Technical Services at 978-465-4853 or TechnicalServices.EP@mersen.com.

A100P

Amp-Trap® Form 101, 1000VAC; 15-2000A

CATALOG NUMBERS:

Catalog No.	Current Rating I_n (A)	Dimen. Fig.
A100P15-1	15	1
A100P20-1	20	1
A100P25-1	25	1
A100P30-1	30	1
A100P35-4	35	2
A100P40-4	40	2
A100P50-4	50	2
A100P50-4TI	50	2
A100P60-4	60	2
A100P60-4TI	60	2
A100P70-4TI	70	2
A100P80-4	80	2
A100P80-4TI	80	2
A100P100-4	100	2
A100P100-4TI	100	2
A100P125-4	125	2
A100P125-4TI	125	2
A100P150-4	150	2
A100P150-4TI	150	2
A100P200-4	200	2
A100P200-4TI	200	2
A100P225-4	225	2
A100P250-4	250	2
A100P300-4	300	2
A100P300-4TI	300	2

Catalog No.	Current Rating I_n (A)	Dimen. Fig.
A100P350-4	350	2
A100P350-4TI	350	2
A100P400-4	400	2
A100P400-4TI	400	2
A100P500-4	500	2
A100P500-4TI	500	2
A100P600-4	600	2
A100P600-4TI	600	2
A100P650-4	650	2
A100P700-4	700	2
A100P800-4	800	2
A100P800-4TI	800	2
A100P1000-4	1000	2
A100P1000-4TA	1000	2*
A100P1200-4	1200	2
A100P1200-4TI	1200	2
A100P1200-4TA	1200	2*
A100P1400-4TA	1400	2*
A100P1600-4	1600	2
A100P1600-4TI	1600	2
A100P1600-4TA	1600	2*
A100P2000-4	2000	2
A100P2000-4TI	2000	2
A100P2000-4TA	2000	2*

* "-4TA" fuses have an external indicator that is not shown on the drawing. Contact Technical Services for details.

For ampere ratings and styles not listed, contact Technical Services at 978-465-4853 or TechnicalServices.EP@mersen.com.

A120X

Amp-Trap® Form 101, 1200VAC, 1000VDC; 1/2-30A

A120X Amp-Trap® Form 101 high speed fuses, rated 1/2A through 30A, 1200VAC are popular for use in traction drive auxiliary circuits and similar applications. A120X fuses are also suitable for use on 1000VDC auxiliary circuits with low time constants.

FEATURES/BENEFITS:

- 1000VDC rated for wide range of circuits
- Compact size
- Mersen certified 1000VDC

FUSE BLOCKS:

Current Rating I_n [A]	Catalog No.	Poles
1/2-30	P292	1

See Fusegear section for product details.



RATINGS:

- **AC:** 1/2-30A, 1200VAC, 100kA IR
- **DC:** 1/2-30A, 1000VDC

APPLICATIONS:

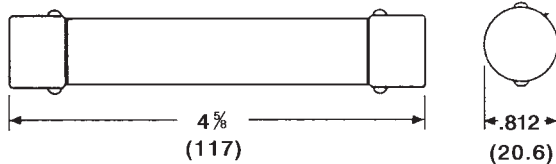
- Protection of traction drive auxiliary circuits, etc.

APPROVALS:

- UL Recognized Component File E 60314
- AC: 1/2-30A, 1200VAC



DIMENSIONS - IN (MM):



CATALOG NUMBERS:

Catalog No.	Current Rating I_n [A]
A120X1/2-1	1/2
A120X1-1	1
A120X2-1	2
A120X3-1	3
A120X4-1	4
A120X5-1	5

Catalog No.	Current Rating I_n [A]
A120X6-1	6
A120X10-1	10
A120X15-1	15
A120X20-1	20
A120X25-1	25
A120X30-1	30

For ampere ratings and styles not listed, contact Technical Services at 978-465-4853 or TechnicalServices.EP@mersen.com.

Body Size 30, 31, 32, 33, 2x32 and 2x33

PSC Square Body

450-700VAC; 40-2500A; aR

Mersen 690/700V Protistor Semiconductor (PSC) square body fuses provide maximum flexibility in equipment design and ultimate protection for today's power conversion equipment. These square body fuses are available in four different body sizes, each size having more than seven worldwide acceptable mounting styles. The different mounting styles and body sizes along with a broad range of ampere ratings allow greatest flexibility in equipment design.

FEATURES/BENEFITS:

- Choice of mounting styles gives wide choice for equipment design
- Broad range of ampere ratings in a given body size for design flexibility
- UL/CSA/IEC 60269-4 compliance for worldwide semiconductor applications

FUSE BLOCKS:

Catalog No.
SI TT 30/31
SI TT 32/33
SI DIN 80 630
SI DIN 80 1250
SI DIN 110 630
SI DIN 110 1250

See Fusegear section for product details.



RATINGS:

- **Volts:** 450-700 VAC, DC - consult factory
- **Amps:** 40-2500A
- **IR:** 200kA AC

APPLICATIONS:

- Protection of rectifiers, inverters, DC drives, UPS Systems, reduced voltage motor starters, and other equipment in globally accepted applications

APPROVALS:

- UL Recognized Component File E76491
- IEC 60269-4 certified
- CSA 012636 0 000
- CCC approved

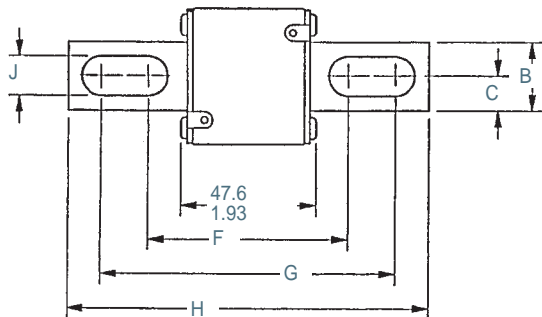


DIMENSIONS:

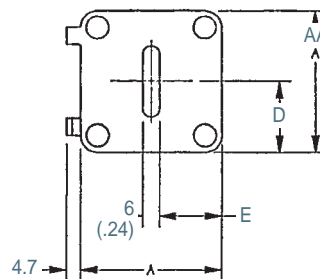
North American Straight Blade, Type KI (Short) and Type LI (Long)

Body Size	Dimensions - mm (in), Type KI and LI					Dimensions - mm (in), Type KI				Dimensions - mm (in), Type LI			
	A	B	C	D	E	F	G	H	J	F	G	H	J
30	40(1.57)	25(.98)	12.5(.49)	21(.83)	18(.71)	68(2.68)	107(4.21)	129(5.08)	10.5(.41)	87.6(3.45)	126.6(4.98)	148.6(5.85)	10.5(.41)
31	51(2.00)	25(.98)	12.5(.49)	25.5(1.00)	22.5(.89)	67.6(2.66)	107.1(4.216)	128.8(5.07)	14.3(.56)	91.6(3.61)	122.4(4.82)	148.6(5.85)	14.6(.57)
32	60(2.36)	32(1.26)	16(.63)	30(1.18)	27(1.06)	74.2(2.92)	109(4.29)	134(5.28)	14.6(.57)	94.2(3.71)	129(5.08)	153(6.02)	14.6(.57)
33	74.5(2.93)	40(1.57)	20(.79)	37.2(1.46)	34.2(1.35)	75.4(2.97)	107.6(4.24)	134(5.28)	15.9(.63)	94.4(3.72)	126.6(.98)	153(6.02)	15.9(.63)

Type KI



Type LI



PSC Square Body

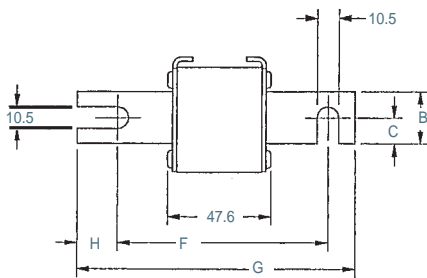
450-700VAC; 40-2500A; aR

DIMENSIONS:

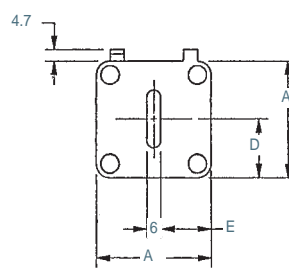
European Blade DIN 80, Type D08A and DIN 110, Type D1A

Body Size	Dimensions - mm D08A and D1A					DIN 80, Type D08A		DIN 110, Type D1A	
	A	B	C	D	E	F	G	F	G
30	40	25	12.5	21	17	77	110	101.6	134.6
31	51	25	12.5	25	22.5	77	110	101.6	134.6
32	60	32	16	30	27	77	110	101.6	134.6
33	74.5	40	20	37.2	34.25	77	110	101.6	134.6

Type D08A



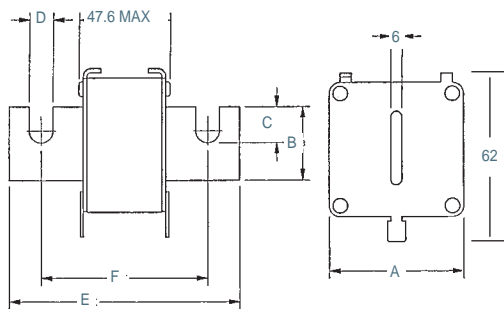
Type D1A



European French Blade, Type EF

Body Size	Dimensions - mm					
	A	B	C	D	E	F
30	40	18	11	9	100	76.6
31	50	25	16	10.5	110	86.5
32	59	32	21.2	13	13	90.8
33	74.5	40	19.5	13	13	91

Type EF



Body Size 30, 31, 32, 33, 2x32 and 2x33

PSC Square Body

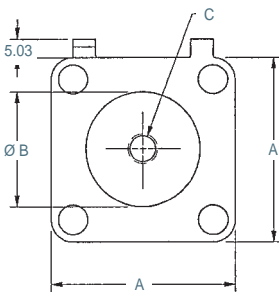
450-700VAC; 40-2500A; aR

DIMENSIONS:

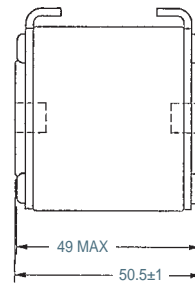
North American Tap Single Hole, Type TTI and TTF

Body Size	Dimensions - in(mm) TTI and TTF		TTI	TTF
	A	B	C	C
30	1.57[40]	1.00[25]	5/16-18 x .35	M8 x 1.25 x 6 DP
31	2.00[50.8]	1.19[30.2]	5/16-18 x .35	M8 x 1.25 x 9 DP
32	2.37[60.3]	1.50[38.1]	3/8-16 x .35	M10 x 1.50 x 9 DP
33	2.94[74.6]	1.81[46]	1/2-13 x .35	M12 x 1.75 x 9 DP

Types TTI



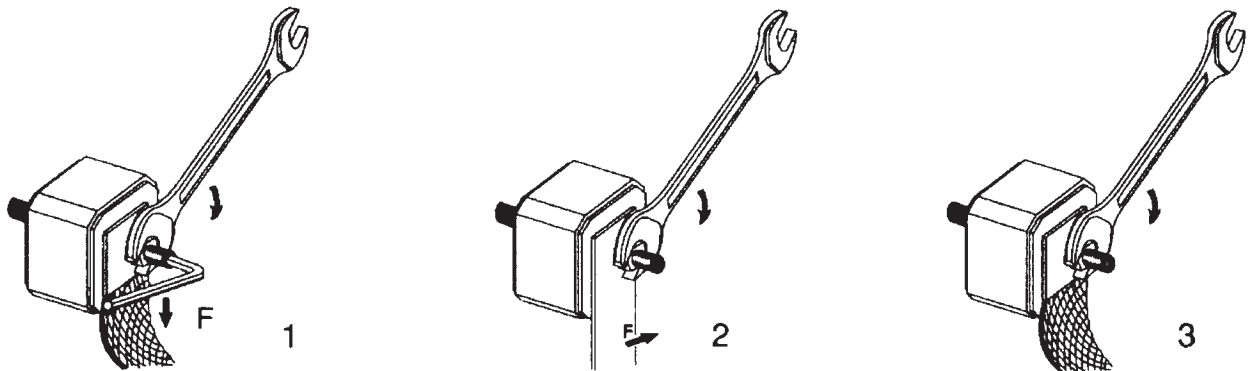
Types TTF



Standard Threaded Studs

Size	Reference No. per Pair	Dimension Per Pair of Studs	Weight (g)	Max Stud Mounting Torque [Nm]*	Max Nut Tightening Torque (Nm)*		
					Fig. 1	Fig. 2	Fig. 3
30 & 31	S098801	HC M8 X 30 & M 8 X 35	23	10	13.5	13.5	13.5
32	T098802	HC M 10 X 30 & M 10 X 50	40	15	26	26	26
33	V098803	HC M 12 X 35 & M 12 X 50	60		46	46	46

*in.lbs = Nm/0.113



PSC Square Body

450-700VAC; 40-2500A; aR

690 Volt European/IEC Style Ratings and Application Data, DIN 110 Mounting

Body Size	Current Rating I_n (A)	Rated Voltage V_n (V) (IEC)	Melting I^2t ($A^2s \times 10^3$)	Total Clearing $I^2t @ V_n$ ($A^2s \times 10^3$)	Watts Loss @ I_n (W)	Reference No.	Catalog No.	Legacy Description*
30	50	690	0.116	0.68	9	G301191	PC30UD69V50D1A	6,9URD30D11A0050
	63	690	0.2	1.2	14	Q300118	PC30UD69V63D1A	6,9URD30D11A0063
	80	690	0.33	1.9	19	R300119	PC30UD69V80D1A	6,9URD30D11A0080
	100	690	0.47	2.7	26	S300120	PC30UD69V100D1A	6,9URD30D11A0100
	125	690	0.85	4.9	30	T300121	PC30UD69V125D1A	6,9URD30D11A0125
	160	690	1.6	9.2	37	V300122	PC30UD69V160D1A	6,9URD30D11A0160
	200	690	3	16.7	43	W300123	PC30UD69V200D1A	6,9URD30D11A0200
	250	690	5.8	32.4	50	X300124	PC30UD69V250D1A	6,9URD30D11A0250
	315	690	12	67	55	Y300125	PC30UD69V315D1A	6,9URD30D11A0315
	350	690	15.5	86	60	Z300126	PC30UD69V350D1A	6,9URD30D11A0350
	400	690	23	130	65	A300127	PC30UD69V400D1A	6,9URD30D11A0400
	450	690	26	165	88	S300695	PC30UD69V450D1A	6,9URD30D11A0450
	500	690	41	264	88	Y301091	PC30UD69V500D1A	6,9URD30D11A0500
	550	690	52	330	90	Z301092	PC30UD69V550D1A	6,9URD30D11A0550
31	200	690	2.6	14.6	45	H300019	PC31UD69V200D1A	6,9URD31D11A0200
	250	690	4.7	27	52	J300020	PC31UD69V250D1A	6,9URD31D11A0250
	315	690	7.5	43	65	K300021	PC31UD69V315D1A	6,9URD31D11A0315
	350	690	10.5	59	67	P300048	PC31UD69V350D1A	6,9URD31D11A0350
	400	690	19	110	68	L300022	PC31UD69V400D1A	6,9URD31D11A0400
	450	690	26.5	150	70	M300023	PC31UD69V450D1A	6,9URD31D11A0450
	500	690	37	210	72	N300024	PC31UD69V500D1A	6,9URD31D11A0500
	550	690	52	300	75	P300025	PC31UD69V550D1A	6,9URD31D11A0550
	630	690	75	421	85	Q300026	PC31UD69V630D1A	6,9URD31D11A0630
	700	690	95	530	95	R300027	PC31UD69V700D1A	6,9URD31D11A0700
800	690	140	880	120	H300709	PC31UD69V800D1A	6,9URD31D11A0800	
32	400	690	15	86	75	P300186	PC32UD69V400D1A	6,9URD32D11A0400
	450	690	22	124	80	Q300187	PC32UD69V450D1A	6,9URD32D11A0450
	500	690	28	157	90	R300188	PC32UD69V500D1A	6,9URD32D11A0500
	550	690	37	211	95	S300189	PC32UD69V550D1A	6,9URD32D11A0550
	630	690	54	302	105	T300190	PC32UD69V630D1A	6,9URD32D11A0630
	700	690	76	432	110	V300191	PC32UD69V700D1A	6,9URD32D11A0700
	800	690	115	648	120	W300192	PC32UD69V800D1A	6,9URD32D11A0800
	900	690	170	972	125	X300193	PC32UD69V900D1A	6,9URD32D11A0900
33	500	690	19	108	105	S300258	PC33UD69V500D1A	6,9URD33D11A0500
	550	690	27	151	110	T300259	PC33UD69V550D1A	6,9URD33D11A0550
	630	690	40	227	120	V300260	PC33UD69V630D1A	6,9URD33D11A0630
	700	690	55	324	125	W300261	PC33UD69V700D1A	6,9URD33D11A0700
	800	690	95	529	130	X300262	PC33UD69V800D1A	6,9URD33D11A0800
	900	690	135	760	135	Y300263	PC33UD69V900D1A	6,9URD33D11A0900
	1000	690	170	970	155	Z300264	PC33UD69V10CD1A	6,9URD33D11A1000
	1100	690	240	1360	160	A300265	PC33UD69V11CD1A	6,9URD33D11A1100
	1250	690	350	2000	180	B300266	PC33UD66V12CD1A	6,9URD33D11A1250
	1400	690	480	2700	200	C300267	PC33UD69V14CD1A	6,9URD33D11A1400
	1500	600	500		220	H301974	PC33UD60V15CD1A	6URD33D11A1500
1600	600	555	3250	240	Z301437	PC33UD60V16CD1A	6URD33D11A1600	

*Legacy Description for reference only

PSC Square Body

450-700VAC; 40-2500A; aR

690 Volt European/IEC Style Ratings and Application Data, DIN 80 Mounting

Body Size	Current Rating I _n (A)	Rated Voltage V _n (V) (IEC)	Melting I ² t (A ² s x 10 ³)	Total Clearing I ² t @ V _n (A ² s x 10 ³)	Watts Loss @ I _n (W)	Reference No.	Catalog No.	Legacy Description*
30	50	690	0.116	0.68	9	F301926	PC30UD69V50A	6,9URD30D08A0050
	63	690	0.2	1.2	14	E300108	PC30UD69V63A	6,9URD30D08A0063
	80	690	0.33	1.9	19	F300109	PC30UD69V80A	6,9URD30D08A0080
	100	690	0.47	2.7	26	G300110	PC30UD69V100A	6,9URD30D08A0100
	125	690	0.85	4.3	30	H300111	PC30UD69V125A	6,9URD30D08A0125
	160	690	1.6	9.2	37	J300112	PC30UD69V160A	6,9URD30D08A0160
	200	690	3	16.7	43	K300113	PC30UD69V200A	6,9URD30D08A0200
	250	690	5.8	32.4	50	L300114	PC30UD69V250A	6,9URD30D08A0250
	315	690	12	67	55	M300115	PC30UD69V315A	6,9URD30D08A0315
	350	690	15.5	86	60	N300116	PC30UD69V350A	6,9URD30D08A0350
	400	690	23	130	65	P300117	PC30UD69V400A	6,9URD30D08A0400
	450	690	26	165	88	A300403	PC30UD69V450A	6,9URD30D08A0450
	500	690	41	256	88	B300404	PC30UD69V500A	6,9URD30D08A0500
	550	690	52	330	90	C300405	PC30UD69V550A	6,9URD30D08A0550
31	200	690	2.6	14.6	45	Y300010	PC31UD69V200A	6,9URD31D08A0200
	250	690	4.7	27	52	Z300011	PC31UD69V250A	6,9URD31D08A0250
	315	690	7.5	43	65	A300012	PC31UD69V315A	6,9URD31D08A0315
	350	690	10.5	59	67	Q300049	PC31UD69V350A	6,9URD31D08A0350
	400	690	19	110	68	B300013	PC31UD69V400A	6,9URD31D08A0400
	450	690	26.5	150	70	C300014	PC31UD69V450A	6,9URD31D08A0450
	500	690	37	210	72	D300015	PC31UD69V500A	6,9URD31D08A0500
	550	690	52	300	75	E300016	PC31UD69V550A	6,9URD31D08A0550
	630	690	75	421	85	F300017	PC31UD69V630A	6,9URD31D08A0630
	700	690	95	530	95	G300018	PC31UD69V700A	6,9URD31D08A0700
800	690	140	880	120	D300406	PC31UD69V800A	6,9URD31D08A0800	
32	400	690	15	86	75	E300177	PC32UD69V400A	6,9URD32D08A0400
	450	690	22	124	80	F300178	PC32UD69V450A	6,9URD32D08A0450
	500	690	28	157	90	G300179	PC32UD69V500A	6,9URD32D08A0500
	550	690	37	211	95	H300180	PC32UD69V550A	6,9URD32D08A0550
	630	690	54	302	105	J300181	PC32UD69V630A	6,9URD32D08A0630
	700	690	76	432	110	K300182	PC32UD69V700A	6,9URD32D08A0700
	800	690	115	648	120	L300183	PC32UD69V800A	6,9URD32D08A0800
	900	690	170	972	125	M300184	PC32UD69V900A	6,9URD32D08A0900
	1000	690	240	1350	135	N300185	PC32UD69V1000A	6,9URD32D08A1000
	1100	600	270	1450	165	W302101	PC32UD60V1100A	6URD32D08A1100
	1250	550	410	1950	180	G300409	PC32UD50V1250A	5,5URD32D08A1250
33	500	690	19	108	105	G300248	PC33UD69V500A	6,9URD33D08A0500
	550	690	27	151	110	H300249	PC33UD69V550A	6,9URD33D08A0550
	630	690	40	227	120	J300250	PC33UD69V630A	6,9URD33D08A0630
	700	690	55	324	125	K300251	PC33UD69V700A	6,9URD33D08A0700
	800	690	95	529	130	L300252	PC33UD69V800A	6,9URD33D08A0800
	900	690	135	760	135	M300253	PC33UD69V900A	6,9URD33D08A0900
	1000	690	170	970	155	N300254	PC33UD69V1000A	6,9URD33D08A1000
	1100	690	240	1360	160	P300255	PC33UD69V1100A	6,9URD33D08A1100
	1250	690	350	2000	180	Q300256	PC33UD69V1250A	6,9URD33D08A1250
	1400	690	480	2700	200	R300257	PC33UD69V1400A	6,9URD33D08A1400
	1500	600	500		220	M235071	PC33UD60V1500A	6URD33D08A1500
	1600	600	555	3250	240	X301803	PC33UD60V1600A	6URD33D08A1600
	1800	600	720		260	E301971	PC33UD60V1800A	6URD33D08A1800

*Legacy Description for reference only

PSC Square Body

450-700VAC; 40-2500A; aR

690 Volt European/IEC Style Ratings and Application Data, EF Mounting

Body Size	Current Rating I_n (A)	Rated Voltage V_n (V) (IEC)	Melting I^2t ($A^2s \times 10^3$)	Total Clearing I^2t @ V_n ($A^2s \times 10^3$)	Watts Loss @ I_n (W)	Reference No.	Catalog No.	Legacy Description*
30	50	690	0.116	0.68	9	R300372	PC30UD69V50EF	6,9URD30EF0050
	63	690	0.2	1.2	14	H300088	PC30UD69V63EF	6,9URD30EF0063
	80	690	0.33	1.9	19	J300089	PC30UD69V80EF	6,9URD30EF0080
	100	690	0.47	2.7	26	K300090	PC30UD69V100EF	6,9URD30EF0100
	125	690	0.85	4.9	30	L300091	PC30UD69V125EF	6,9URD30EF0125
	160	690	1.6	9.2	37	M300092	PC30UD69V160EF	6,9URD30EF0160
	200	690	3	16.7	43	N300093	PC30UD69V200EF	6,9URD30EF0200
	250	690	5.8	32.4	50	P300094	PC30UD69V250EF	6,9URD30EF0250
	315	690	12	67	55	Q300095	PC30UD69V315EF	6,9URD30EF0315
	350	690	15.5	86	60	R300096	PC30UD69V350EF	6,9URD30EF0350
400	690	23	130	65	S300097	PC30UD69V400EF	6,9URD30EF0400	
31	200	690	2.6	14.6	45	C300037	PC31UD69V200EF	6,9URD31EF0200
	250	690	4.7	27	52	D300038	PC31UD69V250EF	6,9URD31EF0250
	315	690	7.5	43	65	E300039	PC31UD69V315EF	6,9URD31EF0315
	350	690	10.5	59	67	N300047	PC31UD69V350EF	6,9URD31EF0350
	400	690	19	110	68	F300040	PC31UD69V400EF	6,9URD31EF0400
	450	690	26.5	150	70	G300041	PC31UD69V450EF	6,9URD31EF0450
	500	690	37	210	72	H300042	PC31UD69V500EF	6,9URD31EF0500
	550	690	52	300	75	J300043	PC31UD69V550EF	6,9URD31EF0550
	630	690	75	421	85	K300044	PC31UD69V630EF	6,9URD31EF0630
700	690	95	530	95	L300045	PC31UD69V700EF	6,9URD31EF0700	
32	400	690	15	86	75	V300168	PC32UD69V400EF	6,9URD32EF0400
	450	690	22	124	80	W300169	PC32UD69V450EF	6,9URD32EF0450
	500	690	28	157	90	X300170	PC32UD69V500EF	6,9URD32EF0500
	550	690	37	211	95	Y300171	PC32UD69V550EF	6,9URD32EF0550
	630	690	54	302	105	Z300172	PC32UD69V630EF	6,9URD32EF0630
	700	690	76	432	110	A300173	PC32UD69V700EF	6,9URD32EF0700
	800	690	115	648	120	B300174	PC32UD69V800EF	6,9URD32EF0800
	900	690	170	972	125	C300175	PC32UD69V900EF	6,9URD32EF0900
	1000	690	240	1350	135	D300176	PC32UD69V1000EF	6,9URD32EF1000
33	500	690	19	108	105	Z300218	PC33UD69V500EF	6,9URD33EF0500
	550	690	27	151	110	A300219	PC33UD69V550EF	6,9URD33EF0550
	630	690	40	227	120	B300220	PC33UD69V630EF	6,9URD33EF0630
	700	690	55	324	125	C300221	PC33UD69V700EF	6,9URD33EF0700
	800	690	95	529	130	D300222	PC33UD69V800EF	6,9URD33EF0800
	900	690	135	760	135	E300223	PC33UD69V900EF	6,9URD33EF0900
	1000	690	170	970	155	F300224	PC33UD69V1000EF	6,9URD33EF1000
	1100	690	240	1360	160	G300225	PC33UD69V1100EF	6,9URD33EF1100
	1250	690	350	2000	180	H300226	PC33UD69V1250EF	6,9URD33EF1250
1400	6960	480	2700	200	J300227	PC33UD69V1400EF	6,9URD33EF1400	

*Legacy Description for reference only

PSC Square Body

450-700VAC; 40-2500A; aR

690 Volt European/IEC Style Ratings and Application Data, TTF Mounting

Body Size	Current Rating I _n (A)	Rated Voltage V _n (V) (IEC)	Melting I ² t (A ² s x 10 ³)	Total Clearing I ² t @ V _n (A ² s x 10 ³)	Watts Loss @ I _n (W)	Reference No.	Catalog No.	Legacy Description*
30	50	690	0.116	0.68	9	S300373	PC30UD69V50TF	6,9URD30TTF0050
	63	690	0.2	1.2	14	M300000	PC30UD69V63TF	6,9URD30TTF0063
	80	690	0.33	1.9	19	S300051	PC30UD69V80TF	6,9URD30TTF0080
	100	690	0.47	2.7	26	T300052	PC30UD69V100TF	6,9URD30TTF0100
	125	690	0.85	4.9	30	V300053	PC30UD69V125TF	6,9URD30TTF0125
	160	690	1.6	9.2	37	W300054	PC30UD69V160TF	6,9URD30TTF0160
	200	690	3	16.7	42	X300055	PC30UD69V200TF	6,9URD30TTF0200
	250	690	5.8	32.4	48	Y300056	PC30UD69V250TF	6,9URD30TTF0250
	315	690	12	67	53	Z300057	PC30UD69V315TF	6,9URD30TTF0315
	350	690	15.5	86	57	A300058	PC30UD69V350TF	6,9URD30TTF0350
	400	690	23	130	60	B300059	PC30UD69V400TF	6,9URD30TTF0400
	450	690	26	165	80	V300398	PC30UD69V450TF	6,9URD30TTF0450
	500	690	41	264	80	W300399	PC30UD69V500TF	6,9URD30TTF0500
	550	690	52	330	80	X300400	PC30UD69V550TF	6,9URD30TTF0550
31	200	690	2.6	14.6	45	N300001	PC31UD69V200TF	6,9URD31TTF0200
	250	690	4.7	27	52	P300002	PC31UD69V250TF	6,9URD31TTF0250
	315	690	7.5	43	65	Q300003	PC31UD69V315TF	6,9URD31TTF0315
	350	690	10.5	59	67	M300046	PC31UD69V350TF	6,9URD31TTF0350
	400	690	19	110	68	R300004	PC31UD69V400TF	6,9URD31TTF0400
	450	690	26.5	150	70	S300005	PC31UD69V450TF	6,9URD31TTF0450
	500	690	37	210	70	T300006	PC31UD69V500TF	6,9URD31TTF0500
	550	690	52	300	70	V300007	PC31UD69V550TF	6,9URD31TTF0550
	630	690	75	421	75	W300008	PC31UD69V630TF	6,9URD31TTF0630
700	690	95	530	85	X300009	PC31UD69V700TF	6,9URD31TTF0700	
800	690	140	880	105	Y300401	PC31UD69V800TF	6,9URD31TTF0800	
32	400	690	15	86	72	H300065	PC32UD69V400TF	6,9URD32TTF0400
	450	690	22	124	77	J300066	PC32UD69V450TF	6,9URD32TTF0450
	500	690	28	157	85	K300067	PC32UD69V500TF	6,9URD32TTF0500
	550	690	37	211	90	L300068	PC32UD69V550TF	6,9URD32TTF0550
	630	690	54	302	95	M300069	PC32UD69V630TF	6,9URD32TTF0630
	700	690	76	432	100	N300070	PC32UD69V700TF	6,9URD32TTF0700
	800	690	115	648	110	P300071	PC32UD69V800TF	6,9URD32TTF0800
	900	690	170	972	110	Q300072	PC32UD69V900TF	6,9URD32TTF0900
	1000	690	240	1350	115	S300074	PC32UD69V1000TF	6,9URD32TTF1000
	1100	600	270	1450	140	M300759	PC32UD60V1100TF	6URD32TTF1100
1250	500	410	1950	150	P301060	PC32UD55V1250TF	5,5URD32TTF1250	
33	500	690	19	108	105	V300076	PC33UD69V500TF	6,9URD33TTF0500
	550	690	27	151	105	W300077	PC33UD69V550TF	6,9URD33TTF0550
	630	690	40	227	110	X300078	PC33UD69V630TF	6,9URD33TTF0630
	700	690	55	324	115	Y300079	PC33UD69V700TF	6,9URD33TTF0700
	800	690	95	529	120	Z300080	PC33UD69V800TF	6,9URD33TTF0800
	900	690	135	760	120	A300081	PC33UD69V900TF	6,9URD33TTF0900
	1000	690	170	970	135	B300082	PC33UD69V1000TF	6,9URD33TTF1000
	1100	690	240	1360	135	C300083	PC33UD69V1100TF	6,9URD33TTF1100
	1250	690	350	2000	150	D300084	PC33UD69V1250TF	6,9URD33TTF1250
	1400	690	480	2700	160	E300085	PC33UD69V1400TF	6,9URD33TTF1400
	1500	600	500	2500	220	Y300585	PC33UD60V1500TF	6URD33TTF1500
	1600	600	555	3250	210	Z300586	PC33UD60V1600TF	6URD33TTF1600
	1800	600	720	3870	225	A300587	PC33UD60V1800TF	6URD33TTF1800
	2000	550	950	4500	250	B300588	PC33UD55V2000TF	5,5URD33TTF2000
	2250	500	1250	5160	280	K300757	PC33UD50V2250TF	5URD33TTF2250
2500	450	1870	6540	280	L300758	PC33UD45V2500TF	4,5URD33TTF2500	

*Legacy Description for reference only

PSC Square Body

450-700VAC; 40-2500A; aR

700 Volt North American Style Ratings and Application Data, LI Mounting

Body Size	Current Rating I_n (A)	Rated Voltage V_n (V)	Melting I^2t [$A^2s \times 10^3$]	Total Clearing $I^2t @ V_n$ [$A^2s \times 10^3$]	Watts Loss @ I_n (W)	Reference No.	Catalog No.	Legacy Description*
30	63	700	0.2	1.2	14	M300138	A070UD30LI63	A070URD30LI0063
	80	700	0.33	1.9	19	N300139	A070UD30LI080	A070URD30LI0080
	100	700	0.47	2.7	26	P300140	A070UD30LI100	A070URD30LI0100
	125	700	0.85	4.9	30	Q300141	A070UD30LI125	A070URD30LI0125
	160	700	1.6	9.2	37	R300142	A070UD30LI160	A070URD30LI0160
	200	700	3	16.7	43	S300143	A070UD30LI200	A070URD30LI0200
	250	700	5.8	32.4	50	T300144	A070UD30LI250	A070URD30LI0250
	315	700	12	67	55	V300145	A070UD30LI315	A070URD30LI0315
	350	700	15.5	86	60	W300146	A070UD30LI350	A070URD30LI0350
	400	700	23	130	65	X300147	A070UD30LI400	A070URD30LI0400
	450	700	26	165	88	K300527	A070UD30LI450	A070URD30LI0450
	500	700	41	264	88	L300528	A070UD30LI500	A070URD30LI0500
550	700	52	330	90	M300529	A070UD30LI550	A070URD30LI0550	
31	200	700	2.6	14.6	45	V300697	A070UD31LI200	A070URD31LI0200
	250	700	4.7	27	52	W300698	A070UD31LI250	A070URD31LI0250
	315	700	7.5	43	65	X300699	A070UD31LI315	A070URD31LI0315
	350	700	10.5	59	67	Y300700	A070UD31LI350	A070URD31LI0350
	400	700	19	110	68	Z300701	A070UD31LI400	A070URD31LI0400
	450	700	26.5	150	70	A300702	A070UD31LI450	A070URD31LI0450
	500	700	37	210	72	B300703	A070UD31LI500	A070URD31LI0500
	550	700	52	300	75	C300704	A070UD31LI550	A070URD31LI0550
	630	700	75	421	85	D300705	A070UD31LI630	A070URD31LI0630
	700	700	95	530	95	E300706	A070UD31LI700	A070URD31LI0700
800	700	140	880	120	F300707	A070UD31LI800	A070URD31LI0800	
32	400	700	15	86	75	J300204	A070UD32LI400	A070URD32LI0400
	450	700	22	124	80	K300205	A070UD32LI450	A070URD32LI0450
	500	700	28	157	90	L300206	A070UD32LI500	A070URD32LI0500
	550	700	37	211	95	M300207	A070UD32LI550	A070URD32LI0550
	630	700	54	302	105	N300208	A070UD32LI630	A070URD32LI0630
	700	700	76	432	110	P300209	A070UD32LI700	A070URD32LI0700
	800	700	115	648	120	Q300210	A070UD32LI800	A070URD32LI0800
	900	700	170	972	125	R300211	A070UD32LI900	A070URD32LI0900
	1000	700	240	1350	135	S300212	A070UD32LI1000	A070URD32LI1000
	1100	650	270	1620	165	B301071	A065UD32LI1100	A065URD32LI1100
	1250	600	410	2100	180	C301072	A060UD32LI1250	A060URD32LI1250
	1400	550	555	2600	190	D301073	A055UD32LI1400	A055URD32LI1400
1600	550	870	4000	195	E301074	A055UD32LI1600	A055URD32LI1600	
1800	500	1050	4400	330	F301075	A050UD32LI1800	A050URD32LI1800	
33	500	700	19	108	105	K300228	A070UD33LI500	A070URD33LI0500
	550	700	27	151	110	L300229	A070UD33LI550	A070URD33LI0550
	630	700	40	227	120	M300230	A070UD33LI630	A070URD33LI0630
	700	700	55	324	125	N300231	A070UD33LI700	A070URD33LI0700
	800	700	95	529	130	P300232	A070UD33LI800	A070URD33LI0800
	900	700	135	760	135	Q300233	A070UD33LI900	A070URD33LI0900
	1000	700	170	970	155	R300234	A070UD33LI1000	A070URD33LI1000
	1100	700	240	1360	160	S300235	A070UD33LI1100	A070URD33LI1100
	1250	700	350	2000	180	T300236	A070UD33LI1250	A070URD33LI1250
	1400	700	480	2700	200	V300237	A070UD33LI1400	A070URD33LI1400
	1600	650	555	3250	240	G301076	A065UD33LI1600	A065URD33LI1600
	1800	650	720	4330	260	H301077	A065UD33LI1800	A065URD33LI1800
	2000	600	950	5000	290	J301078	A060UD33LI2000	A060URD33LI2000
	2250	550	1250	5900	330	K301079	A055UD33LI2250	A055URD33LI2250
	2500	500	1870	7600	330	L301080	A050UD33LI2500	A050URD33LI2500

*Legacy Description for reference only

PSC Square Body

450-700VAC; 40-2500A; aR

700 Volt North American Style Ratings and Application Data, KI Mounting

Body Size	Current Rating I_n (A)	Rated Voltage V_n (V)	Melting I^2t ($A^2s \times 10^3$)	Total Clearing I^2t @ V_n ($A^2s \times 10^3$)	Watts Loss @ I_n (W)	Reference No.	Catalog No.	Legacy Description*
30	63	700	0.2	1.2	14	B300128	A070UD30KI63	A070URD30KI0063
	80	700	0.33	1.9	19	C300129	A070UD30KI80	A070URD30KI0080
	100	700	0.47	2.7	26	D300130	A070UD30KI100	A070URD30KI0100
	125	700	0.85	4.9	30	E300131	A070UD30KI125	A070URD30KI0125
	160	700	1.6	9.2	37	F300132	A070UD30KI160	A070URD30KI0160
	200	700	3	16.7	43	G300133	A070UD30KI200	A070URD30KI0200
	250	700	5.8	32.4	50	H300134	A070UD30KI250	A070URD30KI0250
	315	700	12	67	55	J300135	A070UD30KI315	A070URD30KI0315
	350	700	15.5	86	60	K300136	A070UD30KI350	A070URD30KI0350
	400	700	23	130	65	L300137	A070UD30KI400	A070URD30KI0400
	450	700	26	165	88	T301064	A070UD30KI450	A070URD30KI0450
	500	700	41	264	88	V301065	A070UD30KI500	A070URD30KI0500
	550	700	52	330	90	W301066	A070UD30KI550	A070URD30KI0550
31	200	700	2.6	14.6	45	S300028	A070UD31KI200	A070URD31KI0200
	250	700	4.7	27	52	T300029	A070UD31KI250	A070URD31KI0250
	315	700	7.5	43	65	V300030	A070UD31KI315	A070URD31KI0315
	350	700	10.5	59	67	R300050	A070UD31KI350	A070URD31KI0350
	400	700	19	110	68	W300031	A070UD31KI400	A070URD31KI0400
	450	700	26.5	150	70	X300032	A070UD31KI450	A070URD31KI0450
	500	700	37	210	72	Y300033	A070UD31KI500	A070URD31KI0500
	550	700	52	300	75	Z300034	A070UD31KI550	A070URD31KI0550
	630	700	75	421	85	A300035	A070UD31KI630	A070URD31KI0630
	700	700	95	530	95	B300036	A070UD31KI700	A070URD31KI0700
800	700	140	880	120	A301070	A070UD31KI800	A070URD31KI0800	
32	400	700	15	86	75	Z300195	A070UD32KI400	A070URD32KI0400
	450	700	22	124	80	A300196	A070UD32KI450	A070URD32KI0450
	500	700	28	157	90	B300197	A070UD32KI500	A070URD32KI0500
	550	700	37	211	95	C300198	A070UD32KI550	A070URD32KI0550
	630	700	54	302	105	D300199	A070UD32KI630	A070URD32KI0630
	700	700	76	432	110	E300200	A070UD32KI700	A070URD32KI0700
	800	700	115	648	120	F300201	A070UD32KI800	A070URD32KI0800
	900	700	170	972	125	G300202	A070UD32KI900	A070URD32KI0900
	1000	700	240	1350	135	H300203	A070UD32KI1000	A070URD32KI1000
33	500	700	19	108	105	W300238	A070UD33KI500	A070URD33KI0500
	550	700	27	151	110	X300239	A070UD33KI550	A070URD33KI0550
	630	700	40	227	120	Y300240	A070UD33KI630	A070URD33KI0630
	700	700	55	324	125	Z300241	A070UD33KI700	A070URD33KI0700
	800	700	95	529	130	A300242	A070UD33KI800	A070URD33KI0800
	900	700	135	760	135	B300243	A070UD33KI900	A070URD33KI0900
	1000	700	170	970	155	C300244	A070UD33KI1000	A070URD33KI1000
	1100	700	240	1360	160	D300245	A070UD33KI1100	A070URD33KI1100
	1250	700	350	2000	180	E300246	A070UD33KI1250	A070URD33KI1250
	1400	700	480	2700	200	F300247	A070UD33KI1400	A070URD33KI1400
	1600	650	555	3250	240	E302063	A065UD33KI1600	A065URD33KI1600

*Legacy Description for reference only

PSC Square Body

450-700VAC; 40-2500A; aR

700 Volt North American Style Ratings and Application Data, TTI Mounting

Body Size	Current Rating I_n (A)	Rated Voltage V_n (V)	Melting I^2t ($A^2s \times 10^3$)	Total Clearing I^2t @ V_n ($A^2s \times 10^3$)	Watts Loss @ I_n (W)	Reference No.	Catalog No.	Legacy Description*
30	63	700	0.2	1.2	14	A301967	A070UD30TTI63	A070URD30TTI0063
	80	700	0.33	1.9	19	V301962	A070UD30TTI80	A070URD30TTI0080
	100	700	0.47	2.7	26	W300744	A070UD30TTI100	A070URD30TTI0100
	125	700	0.85	4.9	30	G300708	A070UD30TTI125	A070URD30TTI0125
	160	700	1.6	9.2	37	N300576	A070UD30TTI160	A070URD30TTI0160
	200	700	3	16.7	42	P300577	A070UD30TTI200	A070URD30TTI0200
	250	700	5.8	32.4	48	Q300578	A070UD30TTI250	A070URD30TTI0250
	315	700	12	67	53	R300579	A070UD30TTI315	A070URD30TTI0315
	350	700	15.5	86	57	S300580	A070UD30TTI350	A070URD30TTI0350
	400	700	23	130	60	T300581	A070UD30TTI400	A070URD30TTI0400
	450	700	26	165	80	V300582	A070UD30TTI450	A070URD30TTI0450
	500	700	41	264	80	W300583	A070UD30TTI500	A070URD30TTI0500
550	700	52	330	80	X300584	A070UD30TTI550	A070URD30TTI0550	
31	200	700	2.6	14.6	45	A300472	A070UD31TTI200	A070URD31TTI0200
	250	700	4.7	27	52	B300473	A070UD31TTI250	A070URD31TTI0250
	315	700	7.5	43	65	C300474	A070UD31TTI315	A070URD31TTI0315
	350	700	10.5	59	67	D300475	A070UD31TTI350	A070URD31TTI0350
	400	700	19	110	68	E300476	A070UD31TTI400	A070URD31TTI0400
	450	700	26.5	150	70	F300477	A070UD31TTI450	A070URD31TTI0450
	500	700	37	210	70	G300478	A070UD31TTI500	A070URD31TTI0500
	550	700	52	300	70	H300479	A070UD31TTI550	A070URD31TTI0550
	630	700	75	421	75	J300480	A070UD31TTI630	A070URD31TTI0630
	700	700	95	530	85	K300481	A070UD31TTI700	A070URD31TTI0700
800	700	140	880	105	L300482	A070UD31TTI800	A070URD31TTI0800	
32	400	700	15	86	72	Q300463	A070UD32TTI400	A070URD32TTI0400
	450	700	22	124	77	N300461	A070UD32TTI450	A070URD32TTI0450
	500	700	28	157	85	P300462	A070UD32TTI500	A070URD32TTI0500
	550	700	37	211	90	R300464	A070UD32TTI550	A070URD32TTI0550
	630	700	54	302	95	S300465	A070UD32TTI630	A070URD32TTI0630
	700	700	76	432	100	T300466	A070UD32TTI700	A070URD32TTI0700
	800	700	115	648	110	V300467	A070UD32TTI800	A070URD32TTI0800
	900	700	170	972	110	W300468	A070UD32TTI900	A070URD32TTI0900
	1000	700	240	1350	115	X300469	A070UD32TTI1000	A070URD32TTI1000
	1100	650	270	1620	140	M301081	A065UD32TTI1100	A065URD32TTI1100
	1250	600	410	2100	150	N301082	A060UD32TTI1250	A060URD32TTI1250
	1400	550	555	2600	160	P301083	A055UD32TTI1400	A055URD32TTI1400
1600	550	870	4000	165	Q301084	A055UD32TTI1600	A055URD32TTI1600	
1800	500	1050	4400	195	R301085	A050UD32TTI1800	A050URD32TTI1800	
33	500	700	19	108	105	X300446	A070UD33TTI500	A070URD33TTI0500
	550	700	27	151	105	Y300447	A070UD33TTI550	A070URD33TTI0550
	630	700	40	227	110	Z300448	A070UD33TTI630	A070URD33TTI0630
	700	700	55	324	115	A300449	A070UD33TTI700	A070URD33TTI0700
	800	700	95	529	120	T300443	A070UD33TTI800	A070URD33TTI0800
	900	700	135	760	120	B300450	A070UD33TTI900	A070URD33TTI0900
	1000	700	170	970	135	C300451	A070UD33TTI1000	A070URD33TTI1000
	1100	700	240	1360	135	D300452	A070UD33TTI1100	A070URD33TTI1100
	1250	700	350	2000	150	E300453	A070UD33TTI1250	A070URD33TTI1250
	1400	700	480	2700	160	F300454	A070UD33TTI1400	A070URD33TTI1400
	1600	650	555	3250	210	S301086	A065UD33TTI1600	A065URD33TTI1600
	1800	650	720	4330	225	T301087	A065UD33TTI1800	A065URD33TTI1800
	2000	600	950	5000	250	V301088	A060UD33TTI2000	A060URD33TTI2000
	2250	550	1250	5900	280	W301089	A055UD33TTI2250	A055URD33TTI2250
	2500	500	1870	7600	280	Y300838	A050UD33TTI2500	A050URD33TTI2500

Refer to drawings for specific dimensions.

*Legacy Description for reference only

Body Size 30, 31, 32, 33, 2x32 and 2x33

PSC Square Body

450-700VAC; 40-2500A; aR

690/700 Volt, 2x32, 2x33 Protection High speed fuses

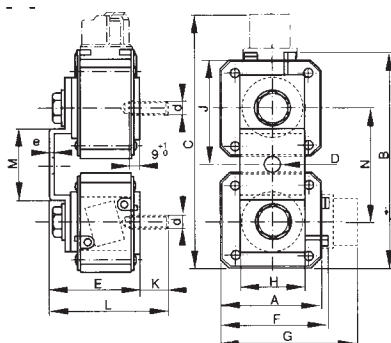
Size	Reference No.	Catalog No.	Legacy Description*	Weight [g]	
2 X 32	T300213	PC232UD69V10CTF	6,9URD232TTF1000	1240	
	V300214	PC232UD69V13CTF	6,9URD232TTF1250		
	G300087	PC232UD69V14CTF	6,9URD232TTF1400		
	2 X 32	W300215	PC232UD69V16CTD	6,9URD232TDF1600	3300
		X300216	PC232UD69V18CTD	6,9URD232TDF1800	
		Y300217	PC232UD69V20CTD	6,9URD232TDF2000	
		D301993	PC232UD55V22CTD	5,5URD232TDF2200	
2 X 33	D300268	PC233UD66V13CTF	6,6URD233TTF1250	1900	
	E300269	PC233UD66V14CTF	6,6URD233TTF1400		
	F300270	PC233UD66V16CTF	6,6URD233TTF1600		
	2 X 33	B300427	PC36UD69V18CP11	6,9URD233PLAF1800	2000
		R302235	PC36UD60V20CP11	6URD233PLAF2000	
		Q302234	PC36UD60V22CP11	6URD233PLAF2200	
		P302233	PC36UD60V25CP11	6URD233PLAF2500	
		N302232	PC36UD60V28CP11	6URD233PLAF2800	
		L301977	PC36UD55V30CP11	5,5URD233PLAF3000	
		M301978	PC36UD55V32CP11	5,5URD233PLAF3200	
		N301979	PC36UD50V36CP11	5URD233PLAF3600	
		P301980	PC36UD50V40CP11	5URD233PLAF4000	
		Q301981	PC36UD45V45CP11	4,5URD233PLAF4500	
		R301982	PC36UD40V50CP11	4URD233PLAF5000	

*Legacy Description for reference only

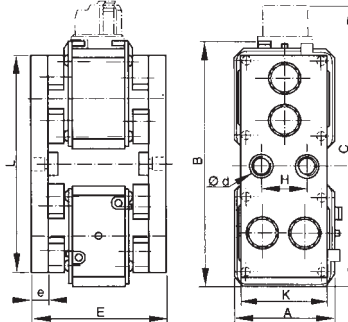
DIMENSIONS (MM)

Size	A	B	C	D	E	F	G	H	J	K	d	e	L	M	N
2x32 TT	60	138.5	172	11	67.6	66.5	100	35	61	40	M 10	4	107.5	48	72
2x33 TT	74.4	167	200	13	67.6	81	114	50	80	40	M 12	4	107.5	54	86
2x32 TD	65.5	147	182	-	91.5	-	-	30	-	60	M 10	12	140	-	-
2x33 PLAF	75	171.5	207	-	55.5	-	115	40	-	71	M 10	15	81	-	-

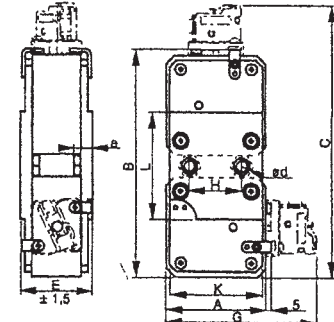
TT



TD



PLAF



Studs and microswitches supplied separately

PSC Square Body

650-1300VAC; 50-1800A; aR

Mersen 1250/1300V PSC square body fuses provide maximum flexibility in equipment design and ultimate protection for today's power conversion equipment. These square body fuses are available in four different body sizes, each size having more than four worldwide acceptable mounting styles. The different mounting styles and body sizes along with a broad range of ampere ratings allow greatest flexibility in equipment design.

FEATURES/BENEFITS:

- Choice of mounting styles gives wide choice for equipment design
- Broad range of ampere ratings in a given body size for design flexibility
- UL/CSA/IEC 60269-4 compliance for worldwide semiconductor applications

FUSE BLOCKS:

Catalog No.
SI TT 70/71
SI TT 72/73
SI DIN 110 630
SI DIN 110 1250

See Fusegear section for product details.



RATINGS:

- **Volts:** 650-1300 VAC, DC - Consult Factory
- **Amps:** 50-1800A
- **IR:** 100kA AC

APPLICATIONS:

- Protection of rectifiers, inverters, DC drives, UPS Systems, reduced voltage motor starters, and other equipment in globally accepted applications

APPROVALS:

- UL recognized component File E76491
- IEC 60269-4 certified
- CSA 012636 0 000
- CCC approved

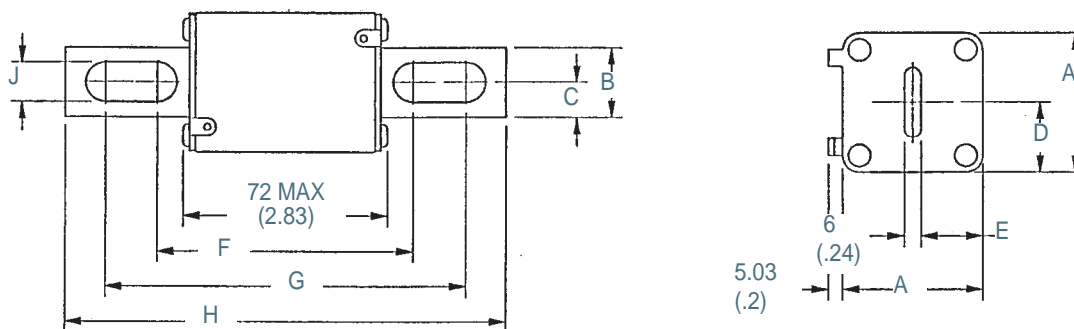


DIMENSIONS:

North American Straight Blade, Types LI & LLI

Body Size	Type	Dimensions - mm (in)								
		A	B	C	D	E	F	G	H	J
70	LI	41 (1.61)	25 (0.98)	12.5 (0.49)	20.5 (0.81)	17.5 (0.69)	91.4 (3.60)	130.4 (5.13)	152.4 (6.00)	10.5 (0.41)
71	LLI	51 (2.01)	25 (0.98)	12.5 (0.49)	25.5 (1.00)	22.5 (0.89)	91.4 (3.60)	130.4 (5.13)	152.4 (6.00)	10.5 (0.41)
72	LI	60 (2.36)	32 (1.26)	16 (0.63)	30 (1.18)	27 (1.06)	97.6 (3.84)	132.4 (5.2)	157.4 (6.20)	14.6 (0.57)
73		73 (2.87)	40 (1.57)	20 (0.79)	36.5 (1.44)	33.5 (1.32)	98.8 (3.89)	132.4 (5.21)	157.4 (6.20)	15.9 (0.63)

Outline Dimensions: Types LI and LLI



Body Size 70, 71, 72, 73, 2x72 and 2x73

PSC Square Body

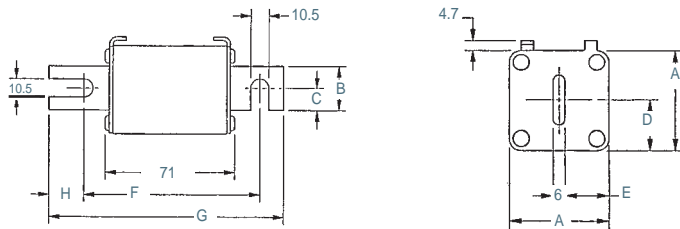
650-1300VAC; 50-1800A; aR

DIMENSIONS:

European Blade DIN 110, Type D1A

Body Size	Type	Dimensions - mm (in)						
		A	B	C	D	E	F	G
70	DIN 110	40 [1.57]	25 [.98]	12.5 [.49]	21 [.83]	17 [.67]	100.4 [3.95]	133.4 [5.25]
71		51 [2.01]	25 [.98]	12.5 [.49]	25.5 [1.00]	22.5 [.89]	100.4 [3.95]	133.4 [5.25]
72		60 [2.36]	32 [1.26]	16 [.63]	30 [1.18]	27 [1.06]	100.4 [3.95]	133.4 [5.25]
73		74.5 [2.93]	40 [1.57]	20 [.79]	37.2 [1.46]	34.25 [1.35]	100.4 [3.95]	133.4 [5.25]

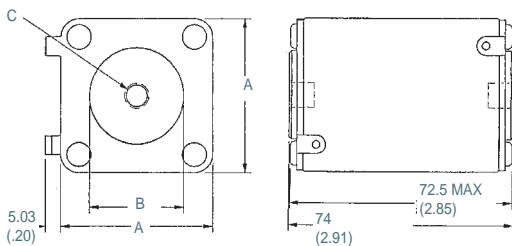
Outline Dimensions: Type D1A



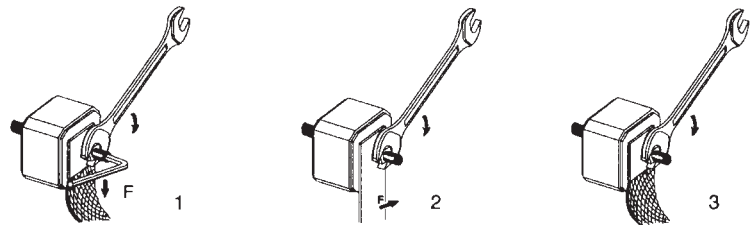
1250/1300 Volt North American and European Tap Single Hole, Type TTI/TTF

Body Size	Type	Dimensions - mm/(In)		Tapped Hole (N. A.)	Tapped Hole (EURO.)
		A	B	C (TTI)	D (TTF)
70	TTI/TTF	40 [1.57]	25 [1.00]	5/16-18 X 0.23 DP	M8 X 1.25 X 6 DP
71		50.8 [2.00]	30.2 [1.19]	5/16-18 X 0.36 DP	M8 X 1.25 X 9 DP
72		60.3 [2.37]	38.1 [1.50]	3/8-16 X 0.36 DP	M10 X 1.50 X 9 DP
73		74.6 [2.94]	46 [1.81]	1/2-13 X 0.35 DP	M12 X 1.75 X 9 DP

Types TTI and TTF



Packaging: 6 pairs



Standard Threaded Studs

Size	Reference No. Per Pair	Ref. and Dimension Per Pair of Studs	Weight (g)	Max Stud Mounting Torque (Nm)*	Max Nut Tightening Torque (Nm)*		
					Fig. 1	Fig. 2	Fig. 3
70 & 71	S098801	HC M8 X 30 & M 8 X 35	23	13	13.5	13.5	13.5
72	T098802	HC M 10 X 30 & M 10 X 50	40		26	26	26
73	V098803	HC M 12 X 35 & M 12 X 50	60		46	46	15
2X72	W098804	HC M 10 X 50	50		26	26	26
2X73	X098805	HC M 12 X 50	70		46	46	15

Packaging: 6 pairs

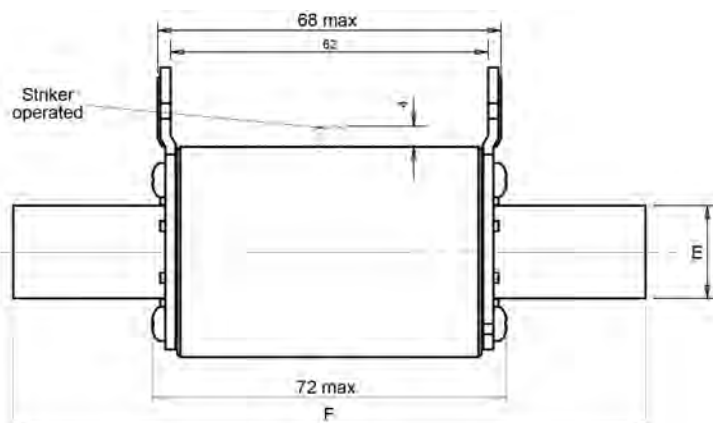
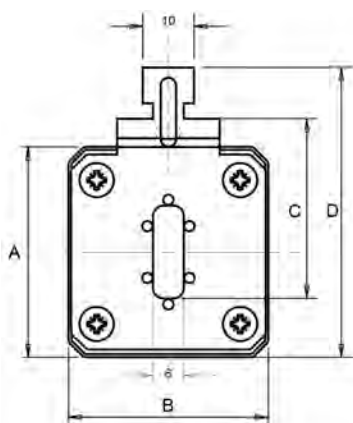
PSC Square Body

650-1300VAC; 50-1800A; aR

DIMENSIONS:

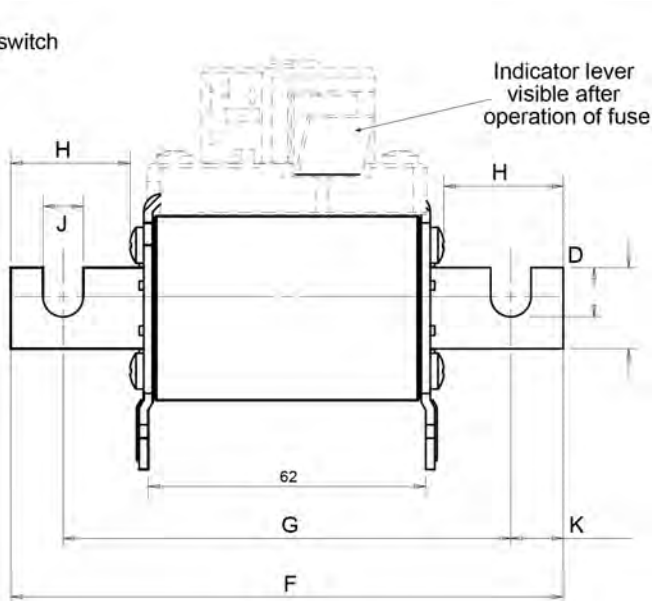
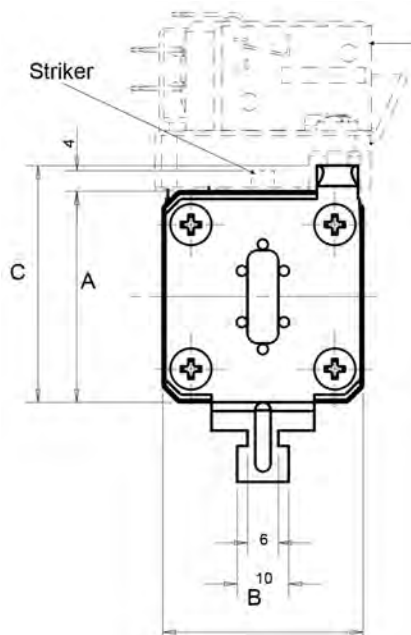
European Type NH Style Blade

Body Size	Type	Dimensions - mm (in)					
		A	B	C	D	E	F
70	NH	41(1.67)	39(1.59)	35(1.43)	56.5(2.31)	18(0.73)	123.4(5.04)
71		51(2.08)	51(2.08)	40(1.63)	63(2.57)	25(1.02)	138.8(5.67)
72		59(2.41)	59(2.41)	47.5(1.94)	71.5(2.92)	32(1.31)	149.4(6.10)
73		73(2.98)	73(2.98)	60(2.45)	86.5(3.53)	40(1.63)	149.4(6.10)



European Type EF Style Notched Blade

Body Size	Type	Dimensions - mm (in)									
		A	B	C	D	E	F	G	H	J	K
70	EF	41(1.67)	39(1.59)	46(1.88)	11(0.45)	18(0.73)	123.4(5.04)	100(4.08)	26.7(1.09)	9(0.37)	11.7(0.48)
71		51(2.08)	51(2.08)	56.5(2.31)	16.3(0.67)	25(1.02)	133.4(5.44)	110(4.49)	31.7(1.29)	11.1(0.45)	11.7(0.48)
72		59(2.41)	59(2.41)	65(2.65)	21.2(0.87)	32(1.31)	149.4(6.10)	114.4(4.67)	40.7(1.66)	13(0.53)	17.5(0.71)
73		73(2.98)	73(2.98)	79(3.22)	19.5(0.80)	40(1.63)	149.4(6.10)	114.4(4.67)	40.7(1.66)	13(0.53)	17.5(0.71)



PSC Square Body

650-1300VAC; 50-1800A; aR

1300 Volt North American Style Ratings and Application Data, LI, LLI Mounting

Body Size	Current Rating I_n (A)	Rated Voltage V_n (V)	Melting I^2t ($A^2s \times 10^3$)	Total Clearing I^2t @ V_n ($A^2s \times 10^3$)	Watts Loss @ I_n (W)	Reference No.	Catalog No.	Legacy Description*
70	63	1300	0.21	1.7	26	W300652	A130UD70LI063	A130URD70LI0063
	80	1300	0.46	3.8	27	X300653	A130UD70LI080	A130URD70LI0080
	100	1300	0.83	6.8	30	Y300654	A130UD70LI100	A130URD70LI0100
	125	1300	1.3	11	38	Z300655	A130UD70LI125	A130URD70LI0125
	160	1300	2.6	21	45	A300656	A130UD70LI160	A130URD70LI0160
	200	1300	4.7	38	56	B300657	A130UD70LI200	A130URD70LI0200
	250	1300	9.6	77	61	C300658	A130UD70LI250	A130URD70LI0250
	315	1300	20	169	72	D300659	A130UD70LI315	A130URD70LI0315
	350	1200	28	180	75	E300660	A120UD70LI350	A120URD70LI0350
71	160	1300	2.6	21	46	E300752	A130UD71LLI160	A130URD71LLI0160
	200	1300	4.7	38	54	F300661	A130UD71LLI200	A130URD71LLI0200
	250	1300	8.9	72	61	G300662	A130UD71LLI250	A130URD71LLI0250
	280	1300	12	96	70	R300717	A130UD71LLI280	A130URD71LLI0280
	315	1300	16	129	76	H300663	A130UD71LLI315	A130URD71LLI0315
	350	1300	22	178	80	J300664	A130UD71LLI350	A130URD71LLI0350
	400	1300	38	308	80	K300665	A130UD71LLI400	A130URD71LLI0400
	450	1300	47	378	95	L300666	A130UD71LLI450	A130URD71LLI0450
	500	1200	68	441	100	M300667	A120UD71LLI500	A120URD71LLI0500
	550	1200	84	548	112	N300668	A120UD71LLI550	A120URD71LLI0550
	630	1100	126	820	120	P300669	A110UD71LLI630	A110URD71LLI0630
72	280	1300	10	85	72	Q300670	A130UD72LI280	A130URD72LI0280
	315	1300	15	125	76	R300671	A130UD72LI315	A130URD72LI0315
	350	1300	21	170	77	S300672	A130UD72LI350	A130URD72LI0350
	400	1300	33	270	80	T300673	A130UD72LI400	A130URD72LI0400
	450	1300	44	360	89	V300674	A130UD72LI450	A130URD72LI0450
	500	1300	57	465	98	W300675	A130UD72LI500	A130URD72LI0500
	550	1300	68	550	120	X300676	A130UD72LI550	A130URD72LI0550
	630	1200	106	860	125	Y300677	A120UD72LI630	A120URD72LI0630
	700	1100	142	920	160	Z300678	A110UD72LI700	A110URD72LI0700
800	1100	215	1400	146	A300679	A110UD72LI800	A110URD72LI0800	
73	315	1300	12	95	84	B300680	A130UD73LI315	A130URD73LI0315
	350	1300	17	140	86	C300681	A130UD73LI350	A130URD73LI0350
	400	1300	25	203	93	D300682	A130UD73LI400	A130URD73LI0400
	450	1300	35	290	100	E300683	A130UD73LI450	A130URD73LI0450
	500	1300	44	360	112	F300684	A130UD73LI500	A130URD73LI0500
	550	1300	57	465	120	G300685	A130UD73LI550	A130URD73LI0550
	630	1300	84	680	132	H300686	A130UD73LI630	A130URD73LI0630
	700	1300	113	900	146	J300687	A130UD73LI700	A130URD73LI0700
	800	1200	190	1530	148	V301824	A130UD73LI800	A130URD73LI0800
	900	1100	250	1460	170	L300689	A110UD73LI900	A110URD73LI0900
	1000	1000	370	2130	174	M300690	A100UD73LI1000	A100URD73LI1000
	1100	1000	445	2555	208	N300691	A100UD73LI1100	A100URD73LI1100
	1250	1000	585	3080	230	J301193	A100UD73LI1250	A100URD73LI1250
	1400	900	755	3700	260	K301194	A090UD73LI1400	A090URD73LI1400
	1600	700	1430	5760	251	P300876	A070UD73LI1600	A070URD73LI1600
1800	650	2040	7150	255	A301599	A065UD73LI1800	A065URD73LI1800	

*Legacy Description for reference only

PSC Square Body

650-1300VAC; 50-1800A; aR

1300 Volt North American Style Ratings and Application Data, TTI Mounting

Body Size	Current Rating I _n (A)	Rated Voltage V _n (V)	Melting I ² t (A ² s x 10 ³)	Total Clearing I ² t @ V _n (A ² s x 10 ³)	Watts Loss @ I _n (W)	Reference No.	Catalog No.	Legacy Description*
70	63	1300	0.21	1.7	26	Q301015	A130UD70TTI63	A130URD70TTI0063
	80	1300	0.65	3.8	27	R301016	A130UD70TTI80	A130URD70TTI0080
	100	1300	0.83	7.2	30	S301017	A130UD70TTI100	A130URD70TTI0100
	125	1300	1.3	11	38	T301018	A130UD70TTI125	A130URD70TTI0125
	160	1300	2.6	21	45	V301019	A130UD70TTI160	A130URD70TTI0160
	200	1300	4.7	38	54	W301020	A130UD70TTI200	A130URD70TTI0200
	250	1300	9.6	77	58	X301021	A130UD70TTI250	A130URD70TTI0250
	315	1300	20	149	66	Z301023	A130UD70TTI315	A130URD70TTI0315
350	1200	28	180	68	A301024	A120UD70TTI350	A120URD70TTI0350	
71	160	1300	2.6	21	46	B301025	A130UD71TTI160	A130URD71TTI0160
	200	1300	4.7	38	54	C301026	A130UD71TTI200	A130URD71TTI0200
	250	1300	8.9	72	61	D301027	A130UD71TTI250	A130URD71TTI0250
	280	1300	12	96	68	E301028	A130UD71TTI280	A130URD71TTI0280
	315	1300	16	129	73	F301029	A130UD71TTI315	A130URD71TTI0315
	350	1300	22	178	76	G301030	A130UD71TTI350	A130URD71TTI0350
	400	1300	38	308	76	H301031	A130UD71TTI400	A130URD71TTI0400
	450	1300	47	378	87	J301032	A130UD71TTI450	A130URD71TTI0450
	500	1200	68	441	90	K301033	A130UD71TTI500	A130URD71TTI0500
	550	1200	84	548	98	L301034	A120UD71TTI550	A120URD71TTI0550
630	1200	126	820	105	M301035	A120UD71TTI630	A120URD71TTI0630	
72	280	1300	10	85	72	N301036	A130UD72TTI280	A130URD72TTI0280
	315	1300	15	125	76	P301037	A130UD72TTI315	A130URD72TTI0315
	350	1300	21	170	77	Q301038	A130UD72TTI350	A130URD72TTI0350
	400	1300	33	270	80	R301039	A130UD72TTI400	A130URD72TTI0400
	450	1300	44	360	87	S301040	A130UD72TTI450	A130URD72TTI0450
	500	1300	57	465	94	T301041	A130UD72TTI500	A130URD72TTI0500
	550	1300	68	550	110	V301042	A130UD72TTI550	A130URD72TTI0550
	630	1300	106	860	113	W301043	A130UD72TTI630	A130URD72TTI0630
	700	1200	142	920	122	X301044	A120UD72TTI700	A120URD72TTI0700
800	1200	215	1400	125	Y301045	A120UD72TTI800	A120URD72TTI0800	
73	315	1300	12	102	84	Z301046	A130UD73TTI315	A130URD73TTI0315
	350	1300	17	150	86	A301047	A130UD73TTI350	A130URD73TTI0350
	400	1300	25	203	93	B301048	A130UD73TTI400	A130URD73TTI0400
	450	1300	35	290	99	C301049	A130UD73TTI450	A130URD73TTI0450
	500	1300	44	360	110/	D301050	A130UD73TTI500	A130URD73TTI0500
	550	1300	57	465	116	E301051	A130UD73TTI550	A130URD73TTI0550
	630	1300	84	680	125	F301052	A130UD73TTI630	A130URD73TTI0630
	700	1300	113	900	135	G301053	A130UD73TTI700	A130URD73TTI0700
	800	1300	190	1530	136	H301054	A130UD73TTI800	A130URD73TTI0800
	900	1300	250	1660	150	T1013903	A130UD73TTI900	A130URD73TTI0900
	1000	1000	370	2430	152	K301056	A110UD73TTI1000	A110URD73TTI1000
	1100	1000	445	2255	168	L301057	A100UD73TTI1100	A100URD73TTI1100
	1250	1000	585	3080	186	M301058	A100UD73TTI1250	A100URD73TTI1250
	1400	900	755	3700	210	N301059	A090UD73TTI1400	A090URD73TTI1400
1600	700	1430	5740	203	Q300877	A070UD73TTI1600	A070URD73TTI1600	
1800	650	2040	7150	206	R300878	A065UD73TTI1800	A065URD73TTI1800	

*Legacy Description for reference only

PSC Square Body

650-1300VAC; 50-1800A; aR

1250 Volt European/IEC Style Ratings and Application Data, DIN 110 Mounting

Body Size	Current Rating I _n (A)	Rated Voltage V _n (V)	Melting I ² t (A ² s x 10 ³)	Total Clearing I ² t @ V _n (A ² s x 10 ³)	Watts Loss @ I _n (W)	Reference No.	Catalog No.	Legacy Description*
70	50	1250	0.116	0.98	16	J301906	PC70UD13C50D1A	12,5URD70D11A0050
	63	1250	0.21	1.7	26	V300536	PC70UD13C63D1A	12,5URD70D11A0063
	80	1250	0.47	3.8	27	W300537	PC70UD13C80D1A	12,5URD70D11A0080
	100	1250	0.83	6.7	30	X300538	PC70UD13C100D1A	12,5URD70D11A0100
	125	1250	1.3	10.5	38	Y300539	PC70UD13C125D1A	12,5URD70D11A0125
	160	1250	2.5	21	45	Z300540	PC70UD13C160D1A	12,5URD70D11A0160
	200	1250	4.7	37.8	56	A300541	PC70UD13C200D1A	12,5URD70D11A0200
	250	1250	9.6	77	61	B300542	PC70UD13C250D1A	12,5URD70D11A0250
	280	1200	14	107	61	J300710	PC70UD12C280D1A	12URD70D11A0280
	315	1200	20	150	66	C300543	PC70UD12C315D1A	12URD70D11A0315
	350	1100	28	180	75	D300544	PC70UD11C350D1A	11URD70D11A0350
	400	1100	39	254	81	F300868	PC70UD11C400D1A	11URD70D11A0400
71	160	1250	2.6	21	46	D300751	PC71UD13C160D1A	12,5URD71D11A0160
	200	1250	4.7	38	54	E300545	PC71UD13C200D1A	12,5URD71D11A0200
	250	1250	8.9	71	61	F300546	PC71UD13C250D1A	12,5URD71D11A0250
	315	1250	16	130	76	G300547	PC71UD13C315D1A	12,5URD71D11A0315
	350	1250	22	180	80	H300548	PC71UD13C350D1A	12,5URD71D11A0350
	400	1250	38	310	80	J300549	PC71UD13C400D1A	12,5URD71D11A0400
	450	1250	47	380	95	K300550	PC71UD13C450D1A	12,5URD71D11A0450
	500	1100	68	440	100	L300551	PC71UD11C500D1A	11URD71D11A0500
	550	1100	84	540	112	M300552	PC71UD11C550D1A	11URD71D11A0550
	630	1000	125	810	105	N300553	PC71UD10C630D1A	10URD71D11A0630
72	280	1250	10	84	72	P300554	PC72UD13C280D1A	12,5URD72D11A0280
	315	1250	15	122	76	Q300555	PC72UD13C315D1A	12,5URD72D11A0315
	350	1250	21	170	77	R300556	PC72UD13C350D1A	12,5URD72D11A0350
	400	1250	32.5	270	80	S300557	PC72UD13C400D1A	12,5URD72D11A0400
	450	1250	44	360	89	T300558	PC72UD13C450D1A	12,5URD72D11A0450
	500	1250	57	460	98	V300559	PC72UD13C500D1A	12,5URD72D11A0500
	550	1250	68	550	120	W300560	PC72UD13C550D1A	12,5URD72D11A0550
	630	1100	105	850	113	X300561	PC72UD11C630D1A	11URD72D11A0630
	700	1000	145	910	122	Y300562	PC72UD10C700D1A	10URD72D11A0700
	800	1000	215	1400	125	Z300563	PC72UD10C800D1A	10URD72D11A0800
900	1000	312	1800	130	H300870	PC72UD10C900D1A	10URD72D11A0900	
73	315	1250	12	95	84	A300564	PC73UD13C315D1A	12,5URD73D11A0315
	350	1250	117	140	86	B300565	PC73UD13C350D1A	12,5URD73D11A0350
	400	1250	25	200	93	C300566	PC73UD13C400D1A	12,5URD73D11A0400
	450	1250	35.5	290	100	D300567	PC73UD13C450D1A	12,5URD73D11A0450
	500	1250	44	360	112	E300568	PC73UD13C500D1A	12,5URD73D11A0500
	550	1250	57	460	120	F300569	PC73UD13C550D1A	12,5URD73D11A0550
	630	1250	84	680	132	G300570	PC73UD13C630D1A	12,5URD73D11A0630
	700	1200	110	900	135	H300571	PC73UD12C700D1A	12URD73D11A0700
	800	1100	190	1530	136	J300572	PC73UD11C800D1A	11URD73D11A0800
	900	1000	250	1870	150	K300573	PC73UD10C900D1A	10URD73D11A0900
	1000	900	370	2130	152	L300574	PC73UD90V10CD1A	9URD73D11A1000
	1100	900	445	2470	168	M300575	PC73UD90V11CD1A	9URD73D11A1100

*Legacy Description for reference only

PSC Square Body

650-1300VAC; 50-1800A; aR

1250 Volt European/IEC Style Ratings and Application Data, TTF Mounting

Body Size	Current Rating I _n (A)	Rated Voltage V _n (V) (IEC)	Melting I ² t [A ² s x 10 ³]	Total Clearing I ² t @ V _n [A ² s x 10 ³]	Watts Loss @ I _n (W)	Reference No.	Catalog No.	Legacy Description*
70	50	1250	0.116	0.98	16	C301095	PC70UD13C50TF	12,5URD70TTF0050
	63	1250	0.21	1.7	26	M300483	PC70UD13C63TF	12,5URD70TTF0063
	80	1250	0.45	3.8	27	N300484	PC70UD13C80TF	12,5URD70TTF0080
	100	1250	0.83	7.2	30	P300485	PC70UD13C100TF	12,5URD70TTF0100
	125	1250	1.3	11	38	Q300486	PC70UD13C125TF	12,5URD70TTF0125
	160	1250	2.6	21	45	R300487	PC70UD13C160TF	12,5URD70TTF0160
	200	1250	4.7	38	54	S300488	PC70UD13C200TF	12,5URD70TTF0200
	250	1250	9.6	77	58	T300489	PC70UD13C250TF	12,5URD70TTF0250
	280	1200	14	107	64	N300714	PC70UD12C280TF	12URD70TTF0280
	315	1200	20	149	66	V300490	PC70UD12C315TF	12URD70TTF0315
	350	1100	28	180	68	W300491	PC70UD11C350TF	11URD70TTF0350
400	1100	39	254	81	E300867	PC70UD11C400TF	11URD70TTF0400	
71	160	1250	2.6	21	46	B300749	PC71UD13C160TF	12,5URD71TTF0160
	200	1250	4.7	38	54	Z300517	PC71UD13C200TF	12,5URD71TTF0200
	250	1250	8.9	72	61	A300518	PC71UD13C250TF	12,5URD71TTF0250
	315	1250	16	129	73	B300519	PC71UD13C315TF	12,5URD71TTF0315
	350	1250	22	178	76	C300520	PC71UD13C350TF	12,5URD71TTF0350
	400	1250	38	308	76	D300521	PC71UD13C400TF	12,5URD71TTF0400
	450	1250	47	378	87	E300522	PC71UD13C450TF	12,5URD71TTF0450
	500	1100	68	441	90	F300523	PC71UD11C500TF	11URD71TTF0500
	550	1100	84	548	98	G300524	PC71UD11C550TF	11URD71TTF0550
630	1100	126	820	105	H300525	PC71UD11C630TF	11URD71TTF0630	
72	280	1250	10	85	72	Y300493	PC72UD13C280TF	12,5URD72TTF0280
	315	1250	15	125	76	Z300494	PC72UD13C315TF	12,5URD72TTF0315
	350	1250	21	170	77	A300495	PC72UD13C350TF	12,5URD72TTF0350
	400	1250	33	270	80	B300496	PC72UD13C400TF	12,5URD72TTF0400
	450	1250	44	360	87	C300497	PC72UD13C450TF	12,5URD72TTF0450
	500	1250	57	465	94	D300498	PC72UD13C500TF	12,5URD72TTF0500
	550	1250	68	550	110	E300499	PC72UD13C550TF	12,5URD72TTF0550
	630	1250	105	850	113	F300500	PC72UD13C630TF	12,5URD72TTF0630
	700	1100	142	920	122	G300501	PC72UD11C700TF	11URD72TTF0700
	800	1100	215	1400	125	H300502	PC72UD11C800TF	11URD72TTF0800
	900	1000	312	1800	130	G300869	PC72UD10C900TF	10URD72TTF0900
1000	850	-	-	136	T301294	PC72UD85V1000TF	8,5URD72TTF1000	
73	315	1250	12	102	84	J300503	PC73UD13C315TF	12,5URD73TTF0315
	350	1250	17	150	86	K300504	PC73UD13C350TF	12,5URD73TTF0350
	400	1250	25	203	93	L300505	PC73UD13C400TF	12,5URD73TTF0400
	450	1250	35	290	99	M300506	PC73UD13C450TF	12,5URD73TTF0450
	500	1250	44	360	110	N300507	PC73UD13C500TF	12,5URD73TTF0500
	550	1250	57	465	116	P300508	PC73UD13C550TF	12,5URD73TTF0550
	630	1250	84	680	125	Q300509	PC73UD13C630TF	12,5URD73TTF0630
	700	1250	113	900	135	R300510	PC73UD13C700TF	12,5URD73TTF0700
	800	1250	190	1530	136	S300511	PC73UD13C800TF	12,5URD73TTF0800
	900	1200	250	1440	150	T300512	PC73UD12C900TF	12URD73TTF0900
	1000	1000	370	2430	152	V300513	PC73UD10C1000TF	10URD73TTF1000
	1100	950	445	2555	168	W300514	PC73UD95V11CTF	9,5URD73TTF1100
	1250	900	585	3080	186	T300696	PC73UD90V13CTF	9URD73TTF1250
	1400	850	755	3700	210	S300718	PC73UD85V14CTF	8,5URD73TTF1400
	1600	690	1430	5740	203	B301301	PC734UD69V16CTF	6,9URD73TTF1600
1800	600	2040	7150	206	C301302	PC73UD60V18CTF	6URD73TTF1800	

*Legacy Description for reference only

PSC Square Body

650-1300VAC; 50-1800A; aR

1250 Volt European/IEC Style Ratings and Application Data, NH Style Blade

Body Size	Current Rating I_n (A)	Rated Voltage V_n (V) (IEC)	Melting I^2t ($A^2s \times 10^3$)	Total Clearing I^2t @ V_n ($A^2s \times 10^3$)	Watts Loss @ I_n (W)	Reference No.	Catalog No.	Legacy Description*
70	50	1250	120	980	16	J301423	PC70UD13C50PA	12,5URD70TTF0050
	63	1250	210	1680	26	A301185	PC70UD13C63PA	12,5URD70TTF0063
	80	1250	470	3780	27	M301242	PC70UD13C80PA	12,5URD70TTF0080
	100	1250	830	6750	30	J301124	PC70UD13C100PA	12,5URD70TTF0100
	125	1250	1310	10500	38	K301125	PC70UD13C125PA	12,5URD70TTF0125
	160	1250	2570	21000	45	D301188	PC70UD13C160PA	12,5URD70TTF0160
	200	1250	4730	38000	56	Z300839	PC70UD13C200PA	12,5URD70TTF0200
71	160	1250	2.6 k	21 k	46	M301219	PC71UD13C160PA	12,5URD71TTF0160
	200	1250	4.7 k	38 k	54	G301835	PC71UD13C200PA	12,5URD71TTF0200
	250	1250	8.9 k	72 k	61	B301163	PC71UD13C250PA	12,5URD71TTF0250
	315	1250	16 k	129 k	76	A300840	PC71UD13C315PA	12,5URD71TTF0315
	350	1250	22 k	178 k	80	H1000070	PC71UD13C350PA	12,5URD71TTF0350
	400	1250	38 k	308 k	80	Q301222	PC71UD13C400PA	12,5URD71TTF0400
	450	1250	47 k	378 k	95	W302975	PC71UD13C450PA	12,5URD71TTF0450
72	280	1250	10.3 k	85 k	72	J300618	PC72UD13C280EF	12,5URD72TTF0280
	315	1250	15.1 k	125 k	76	K300619	PC72UD13C315EF	12,5URD72TTF0315
	350	1250	21 k	170 k	77	L300620	PC72UD13C350EF	12,5URD72TTF0350
	400	1250	32.8 k	270 k	80	M300621	PC72UD13C400EF	12,5URD72TTF0400
	450	1250	44.2 k	360 k	89	N300622	PC72UD13C450EF	12,5URD72TTF0450
	500	1250	57.1 k	465 k	98	P300623	PC72UD13C500EF	12,5URD72TTF0500
	630	1100	106.3 k	690 k	125	R300625	PC72UD11C630EF	12,5URD72TTF0550
	700	1000	141.9 k	815 k	140	S300626	PC72UD10C700EF	12,5URD72TTF0630
800	1000	215.1 k	1240 k	146	T300627	PC72UD10C800EF	11URD72TTF0700	
73	450	1250	35.5 k	290 k	100	X302976	PC73UD13C450PA	12,5URD73TTF0315
	500	1250	44 k	360 k	112	S302719	PC73UD13C500PA	12,5URD73TTF0350
	550	1250	57 k	465 k	120	Y302977	PC73UD13C550PA	12,5URD73TTF0400
	630	1250	84 k	680 k	132	D300843	PC73UD13C630PA	12,5URD73TTF0450
	700	1200	110 k	900 k	146	B301784	PC73UD12C700PA	12,5URD73TTF0500
	800	1100	190 k	1230 k	148	Z301966	PC73UD11C800PA	12,5URD73TTF0550
	900	1000	250 k	1440 k	170	F302685	PC73UD10C900PA	12,5URD73TTF0630
	1000	900	370 k	1920 k	174	R302718	PC73UD90V10CPA	12,5URD73TTF0700
	1100	900	445 k	2280 k	208	Q302717	PC73UD90V11CPA	12,5URD73TTF0800
	1250	900	585 k	3080 k	234	G302686	PC73UD85V14CPA	12URD73TTF0900
	1400	850	755 k	3700 k	260	G302709	A090UD73PA1400	10URD73TTF1000

*Legacy Description for reference only

PSC Square Body

650-1300VAC; 50-1800A; aR

1250 Volt European/IEC Ratings and Application Data, EF Style Notched Blade

Body Size	Current Rating I_n (A)	Rated Voltage V_n (V) (IEC)	Melting I^2t ($A^2s \times 10^3$)	Total Clearing I^2t @ V_n ($A^2s \times 10^3$)	Watts Loss @ I_n (W)	Item No.	Catalog No.	Legacy Description*
70	63	1250	210	1680	26	P300600	PC70UD13C63EF	12,5 URD 70 EF 0063
	80	1250	470	3780	27	Q300601	PC70UD13C80EF	12,5 URD 70 EF 0080
	100	1250	830	6750	30	R300602	PC70UD13C100EF	12,5 URD 70 EF 0100
	125	1250	1310	10500	38	S300603	PC70UD13C125EF	12,5 URD 70 EF 0125
	160	1250	2570	21000	45	T300604	PC70UD13C160EF	12,5 URD 70 EF 0160
	200	1250	4730	38000	56	V300605	PC70UD13C200EF	12,5 URD 70 EF 0200
	250	1250	9580	77000	61	W300606	PC70UD13C250EF	12,5 URD 70 EF 0250
	280	1200	14200	106000	64	L300712	PC70UD12C280EF	12,5 URD 70 EF 0280
	315	1200	20000	149000	72	X300607	PC70UD12C315EF	12 URD 70 EF 0315
	350	1100	27800	180000	75	Y300608	PC70UD11C350EF	11 URD 70 EF 0350
71	160	1250	2.6 k	21 k	46	C300750	PC71UD13C160EF	12,5 URD 71 EF 0160
	200	1250	4.7 k	38 k	54	Z300609	PC71UD13C200EF	12,5 URD 71 EF 0200
	250	1250	8.9 k	72 k	61	A300610	PC71UD13C250EF	12,5 URD 71 EF 0250
	280	1250	12 k	96 k	70	M300713	PC71UD13C280EF	12,5 URD 71 EF 0280
	630	1000	126 k	725 k	120	H300617	PC71UD10C630EF	10 URD 71 EF 0630
	315	1250	16 k	129 k	76	B300611	PC71UD13C315EF	12,5 URD 71 EF 0315
	350	1250	22 k	178 k	80	C300612	PC71UD13C350EF	12,5 URD 71 EF 0350
	400	1250	38 k	308 k	80	D300613	PC71UD13C400EF	12,5 URD 71 EF 0400
	450	1250	47 k	378 k	95	E300614	PC71UD13C450EF	12,5 URD 71 EF 0450
	500	1100	68 k	441 k	100	F300615	PC71UD11C500EF	11 URD 71 EF 0500
550	1100	84 k	548 k	112	G300616	PC71UD11C550EF	11 URD 71 EF 0550	
72	315	1250	15.1 k	125 k	76	H301836	PC72UD13C315PA	12,5 URD 72 PA 0315
	400	1250	32.8 k	270 k	80	B300841	PC72UD13C400PA	12,5 URD 72 PA 0400
	450	1250	44.2 k	360 k	89	C300842	PC72UD13C450PA	12,5 URD 72 PA 0450
	500	1250	57.1 k	465 k	98	P302716	PC72UD13C500PA	12,5 URD 72 PA 0500
	630	1100	106.3 k	690 k	125	N301220	PC72UD11C630PA	11 URD 72 PA 0630
	800	1000	215.1 k	1240 k	146	M302047	PC72UD10C800PA	10 URD 72 PA 0800
73	315	1250	12 k	95 k	84	V300628	PC73UD13C315EF	12,5 URD 73 EF 0315
	350	1250	17 k	140 k	86	W300629	PC73UD13C350EF	12,5 URD 73 EF 0350
	400	1250	25 k	205 k	93	X300630	PC73UD13C400EF	12,5 URD 73 EF 0400
	450	1250	35.5 k	290 k	100	Y300631	PC73UD13C450EF	12,5 URD 73 EF 0450
	500	1250	44 k	360 k	112	Z300632	PC73UD13C500EF	12,5 URD 73 EF 0500
	550	1250	57 k	465 k	120	A300633	PC73UD13C550EF	12,5 URD 73 EF 0550
	630	1250	84 k	680 k	132	B300634	PC73UD13C630EF	12,5 URD 73 EF 0630
	700	1200	110 k	900 k	146	C300635	PC73UD12C700EF	12 URD 73 EF 0700
	800	1100	190 k	1230 k	148	D300636	PC73UD11C800EF	11 URD 73 EF 0800
	900	1000	250 k	1440 k	170	E300637	PC73UD10C900EF	10 URD 73 EF 0900
	1000	900	370 k	1920 k	174	F300638	PC73UD90V10CEF	9 URD 73 EF 1000
	1100	900	445 k	2280 k	208	G300639	PC73UD90V11CEF	9 URD 73 EF 1100

*Legacy Description for reference only

Body Size 70, 71, 72, 73, 2x72 and 2x73

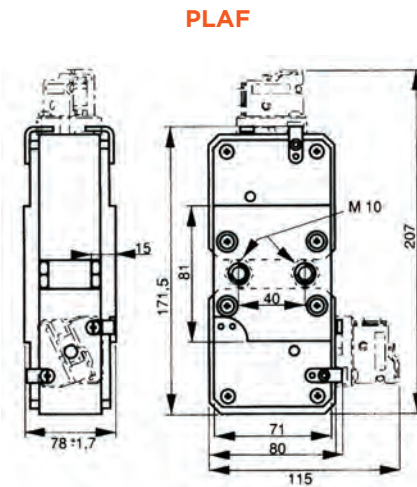
PSC Square Body

650-1300VAC; 50-1800A; aR

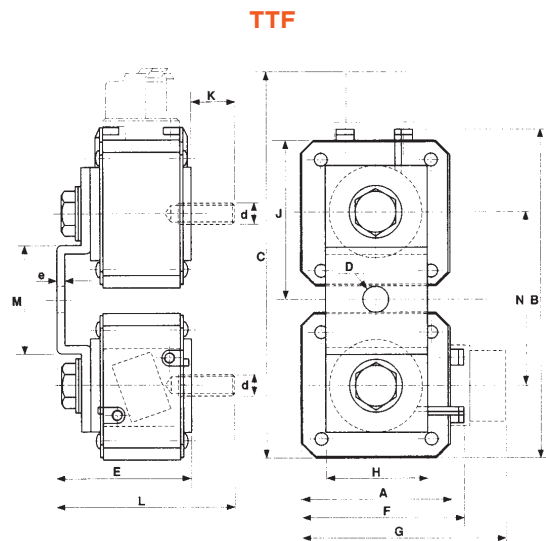
1250/1300 Volt, 2x72, 2x73 Protection High speed fuses

Size	Reference No.	Catalog No.	Legacy Description*	Weight (g)		
73	H300640	PC73UD13C315PP4	12,5URD73PPAF0315	1250		
	J300641	PC73UD13C350PP4	12,5URD73PPAF0350			
	K300642	PC73UD13C405PP4	12,5URD73PPAF0400			
	L300643	PC73UD13C450PP4	12,5URD73PPAF0450			
	M300644	PC73UD13C500PP4	12,5URD73PPAF0500			
	N300645	PC73UD13C550PP4	12,5URD73PPAF0550			
	P300646	PC73UD13C630PP4	12,5URD73PPAF0630			
	Q300647	PC73UD13C700PP4	12,5URD73PPAF0700			
	R300648	PC73UD13C800PP4	12,5URD73PPAF0800			
	S300649	PC73UD12C900PP4	12URD73PPAF0900			
	T300650	PC73UD10C10CPP4	10URD73PPAF1000			
	V300651	PC73UD95V11CPP4	9,5URD73PPAF1100			
	T300719	PC73UD90V13CPP4	9URD73PPAF1250			
	V300720	PC73UD85V14CPP4	8,5URD73PPAF1400			
	2 X 72	W300721	PC272UD13C630TF		12,5URD272TTF0630	1750
X300722		PC272UD13C700TF	12,5URD272TTF0700			
Y300723		PC272UD13C800TF	12,5URD272TTF0800			
Z300724		PC272UD13C900TF	12,5URD272TTF0900			
A300725		PC272UD13C10CTF	12,5URD272TTF1000			
B300726		PC272UD13C11CTF	12,5URD272TTF1100			
M302231		PC272UD11C13CTF	11URD272TTF1250	1900		
D300728		PC272UD11C14CTF	11URD272TTF1400			
L302230		PC272UD10C16CTF	10URD272TTF1600			
E301994		PC272UD90V18CTF	9URD272TTF1800			
2 X 73	F301995	PC272UD75V20CTF	7,5URD272TTF2000	2600		
	G301996	PC272UD65V22CTF	6,5URD272TTF2200			
	H301997	PC272UD65V25CTF	6,5URD272TTF2500			
	F300730	PC273UD13C800TF	12,5URD273TTF0800		2800	
	G300731	PC273UD13C900TF	12,5URD273TTF0900			
	H300732	PC273UD13C10CTF	12,5URD273TTF1000			
	J300733	PC273UD13C11CTF	12,5URD273TTF1100			
	K300734	PC273UD13C13CTF	12,5URD273TTF1250			
	K302229	PC273UD11C14CTF	11URD273TTF1400			2700
	J302228	PC273UD11C16CTF	11URD273TTF1600			
S302236	PC273UD11C18CTF	11URD273TTF1800				
P300738	PC273UD10C20CTF	10URD273TTF2000				
Q300739	PC273UD95V22CTF	9,5URD273TTF2200	2700			
M301909	PC76UD95V22CP11	9,5URD273PLAF2200				
R300740	PC76UD90V25CP11	9URD273PLAF2500				
S300741	PC76UD85V28CP11	8,5URD273PLAF2800				
K301999	PC76UD60V30CP11	6URD273PLAF3000				
M302001	PC76UD60V32CP11	6URD273PLAF3200				
N302002	PC76UD55V36CP11	5,5URD273PLAF3600				

*Legacy Description for reference only



Dimensions mm



Microswitches and threaded studs supplied separately (see Fusegear section)

DIMENSIONS (MM):

SIZE	A	B	C	D	E	F	G	H	J	K	d	e	L	M	N
2 X 72 TTF	60	138.5	172	11	91	65.5	100	35	66	39	M 10	4	131	48	72
2 X 73 TTF	74.5	167	200	13	91	79.6	114	50	80	39	M 12	4	131	54	86
2 X 73 PLAF	Dimensions on image above														

Protistor IEC Cylindrical

500-600VAC; 0.1-30A; aR

10 x 38 mm

The 10 x 38 aR fuses are fast acting, full range fuses utilized in the protection of inverters, UPS and other discrete semiconductor devices. They are available with blown fuse indicator option.



FEATURES/BENEFITS: FUSE BLOCKS:

- Extremely high Interrupting rating
- With built in trip-indicator (1 up to 30A) Mersen Specialty

No. Poles	Screw	Pressure Plate	Copper Box
Adder	30310	30320	30330
1	30311	30321	30351
2	30312	30322	30352
3	30313	30323	30353

*For ferrule fuses only

See Fusegear section for product details.

RATINGS:

- **Volts:** 500-600VAC

APPLICATIONS:

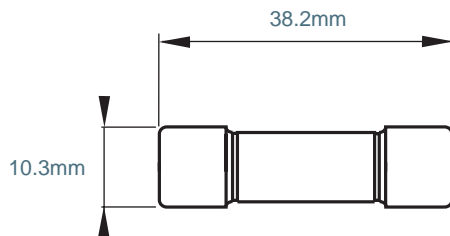
- Protection of power semiconductors according to IEC 269.1 and 4

APPROVALS:

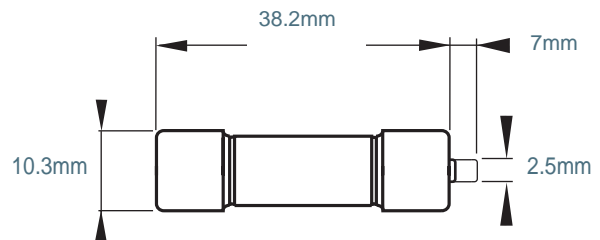
- aR class according to VDE 636-23 and IEC 269.4
- Without blown fuse indication according to NF C 63210 and 63211 - 0.10 up to 0.80A**

DIMENSIONS:

10.3x38 - Without blown fuse indicator



10.3x38 - With blown fuse trip-indicator



CATALOG NUMBERS

Current Rating I_n [mA]	Catalog No.	Ref. #
100	A 060 URD 0.100 T13	H077632
125	A 060 URD 0.125 T13	J077633
160	A 060 URD 0.160 T13	K077634
200	A 060 URD 0.200 T13	L077635
250	A 060 URD 0.250 T13	M077636
315	A 060 URD 0.315 T13	N077637
400	A 060 URD 0.400 T13	P077638
500	A 060 URD 0.500 T13*	Q077639
630	A 060 URD 0.630 T13*	R077640
800	A 060 URD 0.800 T13*	S077641

* UL Recognized



Current Rating I_n [A]	Catalog No.	Ref. #
1	A 050 URD 001 T13 I	P076925
1.25	A 050 URD 001.2 T13 I	H076597
1.6	A 050 URD 001.6 T13 I	G076596
2	A 050 URD 002 T13 I	Q076926
2.5	A 050 URD 002.5 T13 I	F076595
3.15	A 050 URD 003 T13 I	R076927
4	A 050 URD 004 T13 I	S076928
5	A 050 URD 005 T13 I	T076929
6	A 050 URB 006 T13 I	V076930
8	A 050 URB 008 T13 I	W076931
10	A 050 URB 010 T13 I	X076932
12	A 050 URB 012 T13 I	Y076933
16	A 050 URB 016 T13 I	Z076034
20	A 050 URB 020 T13 I	A076935
25	A 050 URL 025 T13 I	B076936
30	A 050 URL 030 T13 I	C076937

Protister IEC Cylindrical

700VAC, 500VDC; 1-32A; gR

10 x 38 mm

The 10 x 38 gR is a fast acting, full range fuse utilized in the protection of inverters, UPS and other discrete semiconductor devices.

FEATURES/BENEFITS:

- International 10 X 38 mm (1 1/2" X 13/32") size for worldwide acceptance
- Ferrule mount 1 to 32A for design versatility
- Low I²t for improved semiconductor protection
- gR Class according to VDE 636-23 and IEC 269.4

FUSE BLOCKS:

Catalog No.	
A70QS-14F or 14FI	UltraSafe™ US14 703 U705
A70QS-22F or 22FI	UltraSafe US22 U710

See Fusegear section for product details.



RATINGS:

- **Volts:** 700VAC, 500VDC
- **Amps:** 1 to 32A
- **IR:** 160kA IR AC, 10kA IR DC
- **L/R:** 10ms

APPLICATIONS:

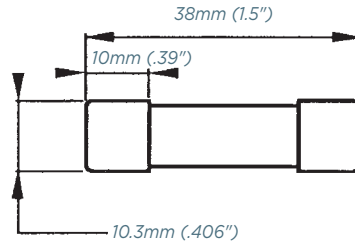
- Protection of small inverters, UPS systems, motor drives and similar 700V or less equipment

APPROVALS:

- UL recognized component
UL file E76491
- IEC 269-4 compliance
- AC: UL guide no. JFHR2



DIMENSIONS:



CATALOG NUMBERS:

Description	Catalog No.	Current Rating I _n (A)	Body Size (mm)	Rated Voltage (VAC)	Melting I ² t (A ² s)	Clearing I ² t @ Rated Voltage (A ² s)	Watts Loss	
							@ 80% Rated Current	@ 100% Rated Current
FR10GR69V1	L1014563	1	10 X 38	700	0.17	0.48	0.4	0.8
FR10GR69V1.25	N1014565	1.25			0.17	0.55	0.8	1.5
FR10GR69V1.5	P1014566	1.5			0.31	0.8	0.6	1.5
FR10GR69V2	Q1014567	2			0.94	2.5	0.7	1.3
FR10GR69V2.5	T1014570	2.5			1.65	4.5	0.8	1.4
FR10GR69V3	V1014571	3			2.83	7.8	0.9	1.5
FR10GR69V4	W1014572	4			6.7	12	1	1.7
FR10GR69V5	X1014573	5			7.5	30	0.6	0.9
FR10GR69V6	Y1014574	6			8.5	40	0.8	1.4
FR10GR69V8	Z1014575	8			5.4	35	1.1	1.9
FR10GR69V10	A1014576	10			8.7	55	1.2	2.1
FR10GR69V12	C1014578	12.5			11	90	1.3	2.8
FR10GR69V16	D1014579	16			19	140	1.7	3
FR10GR69V20	E1014580	20			39	245	2.1	3.7
FR10GR69V25	F1014581	25			69	425	2.4	4.3
FR10GR69V30	G1014582	30			107	675	2.7	4.8
FR10GR69V32	H1014583	32	154	945	2.8	5.1		

Protistor IEC Cylindrical

690VAC; 6-100A; aR

14 x 51 mm and 22 x 58 mm

These Protistor® aR fuses have been designed to protect power semiconductors, complying with standard IEC 60269-1 and -4.

FEATURES/BENEFITS: FUSE BLOCKS:

- Extremely high Interrupting rating
- Two models according to NF C 63210 and 63211 with and without blown fuse built-in trip-indicator for sizes 14 x 51 and 22 x 58

Catalog No.	
14X51	UltraSafe™ US14
	703
	U705
22X58	UltraSafe US22
	U710

See Fusegear section for product details.



RATINGS:

- **Volts:** 690VAC
- **Amps:** 6-100A

APPLICATIONS:

- Protection of power semiconductors according to IEC 269.1 and 4

APPROVALS:

- UL recognized (except 6A)*
- aR class according to VDE 636-23 and IEC 269.4

CATALOG NUMBERS/DIMENSIONS:

All the fuses presented on this page are UL Recognized (except 6 A)*

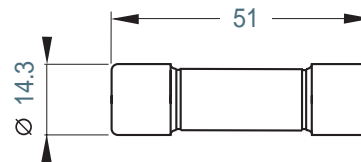
Current Rating I _n [A]	Description	Catalog No.
6	6.900 CP URC 14.51/6*	K081475
8	6.900 CP URC 14.51/8	S093902
10	6.900 CP URC 14.51/10	T093903
12	6.900 CP URC 14.51/12	V093904
16	6.900 CP URC 14.51/16	W093905
20	6.900 CP URC 14.51/20	X093906
25	6.900 CP URC 14.51/25	Y093907
32	6.900 CP URC 14.51/32	Z093908
40	6.900 CP URC 14.51/40	A093909
50	6.900 CP URC 14.51/50	B093910

Current Rating I _n [A]	Description	Catalog No.
6	6.921 CP URC 14.51/6*	G081518
8	6.921 CP URC 14.51/8	C093911
10	6.921 CP URC 14.51/10	D093912
12	6.921 CP URC 14.51/12	E093913
16	6.921 CP URC 14.51/16	F093914
20	6.921 CP URC 14.51/20	G093915
25	6.921 CP URC 14.51/25	H093916
32	6.921 CP URC 14.51/32	J093917
40	6.921 CP URD 14.51/40	T100136
50	6.921 CP URD 14.51/50	V100137

Current Rating I _n [A]	Description	Catalog No.
25	6.900 CP URD 22x58/25	B093956
32	6.900 CP URD 22x58/32	Z094828
40	6.900 CP URD 22x58/40	S094822
50	6.900 CP URD 22x58/50	W094779
63	6.900 CP URD 22x58/63	T094823
80	6.900 CP URD 22x58/80	A094829
100	6.900 CP URD 22x58/100	Y094827

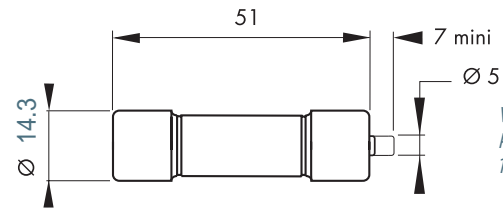
Current Rating I _n [A]	Description	Catalog No.
25	6.921 CP URD 22x58/ 25	H093801
32	6.921 CP URD 22x58/ 32	C093957
40	6.921 CP URD 22x58/ 40	J093802
50	6.921 CP URD 22x58/ 50	D093958
63	6.921 CP URD 22x58/ 63	K093803
80	6.921 CP URD 22x58/ 80	E093959
100	6.921 CP URD 22x58/100	F093960

14 x 51 - Without blown fuse indication (mm)



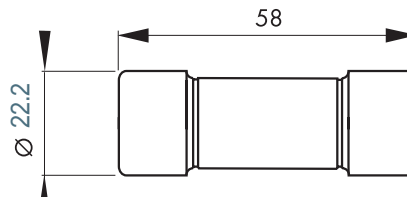
Weight : 18g
Packaging:
10 pieces

14 x 51 - With blown fuse trip-indicator (mm)



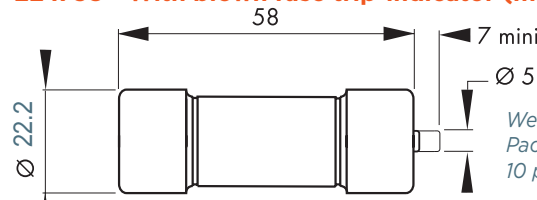
Weight : 18g
Packaging:
10 pieces

22 x 58 - Without blown fuse indication (mm)



Weight: 57 g
Packaging:
10 pieces

22 x 58 - With blown fuse trip-indicator (mm)



Weight: 57 g
Packaging:
10 pieces

Protistor IEC Cylindrical

600-690VAC; 63-250A; aR

27 x 60 mm

These Protistor® aR fuses have been designed to protect power semiconductors, complying with standard IEC 60269-1 and -4.

FEATURES/BENEFITS:

- Extremely high Interrupting rating
- Model according to NF C 63210 and 63211 with built-in blown fuse indication

FUSE BLOCKS:

Catalog No.	
27 x 60	US27

See Fusegear section for product details.



RATINGS:

- **Volts:** 600V-690VAC
- **Amps:** 63-250A

APPLICATIONS:

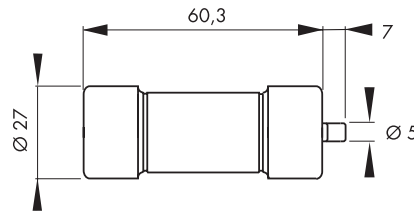
- Protection of power semiconductors according to IEC 269.1 and 4

APPROVALS:

- aR class according to VDE 636-23 and IEC 269.4

DIMENSIONS:

27 x 60 - With blown fuse trip-indicator (mm)



CATALOG NUMBERS

Type	Voltage	Current Rating I _n (A)	Description	Catalog No.
URGD	690V	63	6,921 CP URGD 27x60/ 63	A076820
		80	6,921 CP URGD 27x60/ 80	B076821
		100	6,921 CP URGD 27x60/100	C076822
		125	6,921 CP URGD 27x60/125	D076823
		160	6,921 CP URGD 27x60/160	E076824
		200	6,921 CP URGD 27x60/200	F076825
	600V	250	6,921 CP URGD 27x60/250	W076264

Minimum operating voltage for trip-indicator: 20 V

Protistor IEC Cylindrical

600-1000VAC; 32-250A; aR

27 x 60 mm

These Protistor® aR have been designed to protect power semiconductors, complying with standard IEC 60269-1 and -4. They are extremely high interrupting rating fuses: 690 VAC, with large band of ratings.



FEATURES/BENEFITS:

- Extremely high interrupting rating
- Model according to NF C 63210 and 63211 with built-in blown trip-indicator

FUSE BLOCKS:

Catalog No.	
27 x 60	US27

See Fusegear section for product details.

RATINGS:

- **Volts:** 690V-1000VAC
- **Amps:** 32-250A

APPLICATIONS:

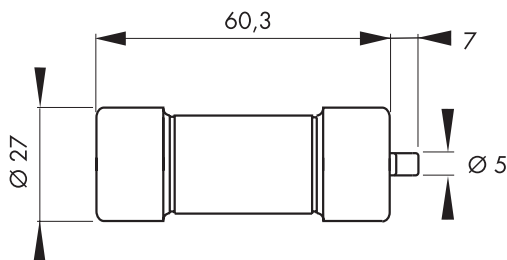
- Protection of power semiconductors according to IEC standard 269.1 and 4

APPROVALS:

- 690V URQ and 1000V URB are UL recognized
- aR class according to VDE 636-23 and IEC 269.4

DIMENSIONS:

27x60 - With blown fuse trip-indicator (mm)



CATALOG NUMBERS:

Type	Voltage	Current Rating I _n (A)	Description	Catalog No.
URQ	690 V	50	6,921 CP URQ 27x60/ 50	N075958
		63	6,921 CP URQ 27x60/ 63	V076309
		80	6,921 CP URQ 27x60/ 80	W076310
		100	6,921 CP URQ 27x60/100	R078330
		125	6,921 CP URQ 27x60/125	S078331
		160	6,921 CP URQ 27x60/160	X076311
		200	6,921 CP URQ 27x60/200	T078332
		250	6,921 CP URQ 27x60/250	T076308
URB	1000 V	32	1021 CP URB 27x60/ 32	S081298
		40	1021 CP URB 27x60/ 40	R081297
		50	1021 CP URB 27x60/ 50	Q081296
		63	1021 CP URB 27x60/ 63	P081295
		80	1021 CP URB 27x60/ 80	N081294
		100	1021 CP URB 27x60/100	M081293
		125	1021 CP URB 27x60/125	L081292
		160	1021 CP URB 27x60/160	K081291
		170	1021 CP URB 27x60/170	Z080338

Protistor IEC Cylindrical

800VAC; 8-110A; gR

27 x 60 mm

The gR cylindrical is a fast acting, full range fuse used in the protection of inverters, UPS, variable speed drives, and other discrete semiconductor devices.

FEATURES/BENEFITS: FUSE BLOCKS:

- Extremely high Interrupting rating
- With built in trip indicator

Catalog No.	
27 x 60	US27

See Fusegear section for product details.



RATINGS:

- **Volts:** 800V voltage rating according to IEC 33
- **Amps:** 8-110A

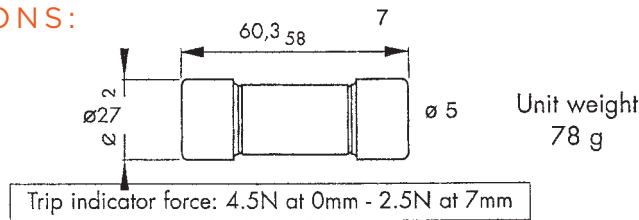
APPLICATIONS:

- Protection of power semiconductors complying with IEC standards 269-1 and 4

APPROVALS:

- gR Class as per IEC 269-4
 - Full range protection
 - Improved safety and protection
 - Allows selective coordination

DIMENSIONS:



CATALOG NUMBERS

Catalog No	Description	Voltage Rating U _n (V)	Class	Current Rating I _n (A)	Melting I ² t @ 1 ms I ² t _p (A ² s)	Total Clearing I ² t @ UN I ² t _t (A ² s)	Watts Loss		Tested Interrupting Rating
							0.8 I _n	I _n	
R221436	821 CP GRB27.60 8	800	gRB	8	4.25	70	1.2	2.0	175 kA @ 700 V
S221437	821 CP GRB27.60 10			10	8.0	100	1.3	2.3	
T221438	821 CP GRB27.60 12			12	17.0	180	1.4	2.5	
V221439	821 CP GRB27.60 16			16	26.5	250	1.9	3.5	
W221440	821 CP GRB27.60 20			20	38.5	350	2.4	4.0	
X221441	821 CP GRB27.60 25			25	73.0	600	2.8	5.0	
Y221442	821 CP GRB27.60 32			32	130	1000	3.5	6.0	90 kA @ 800 V
Z221443	821 CP GRB27.60 40			40	195	1400	4.7	8.0	
A221444	821 CP GRB27.60 50			50	430	2700	4.8	8.5	
B221445	821 CP GRB27.60 63			63	965	5500	5.6	10	
C221446	821 CP GRB27.60 80			80	1890	11000	6.4	11.5	
D221447	821 CP GRB27.60 100			100	3480	19000	7.4	13	
E221448	821 CP GRB27.60 110			110	4670	27000	7.7	14	

Minimum operating voltage for trip-indicator: 20 V



FUSEGEAR

1SC/1MSC

Modular Semiconductor Fuse Blocks

Mersen 1SC and 1MSC semiconductor fuse blocks feature modular mounting that offers greater flexibility in adjusting to various fuse lengths. Both stud type and integral box connector versions are offered to allow for user preference of wire terminations. The integral box connector versions also provide for greater heat dissipation. Mounting hardware is supplied with the blocks.

FEATURES/BENEFITS:

- Modular two-piece design
- Compact footprint
- Stud versions
- Heat dissipating integral box connector versions
- Accommodates a large range of semiconductor fuses
- Rugged phenolic insulators
- Global acceptance fuse blocks meet UL and IEC requirements



RATINGS:

1SC

- **Volts:** 1000VAC/DC (SCCR: 200kA)
1500VAC/DC (SCCR: 100kA)
- **Amps:** 800A Maximum

1MSC

- **Volts:** 600V
- **Amps:** 600A Maximum
- **SCCR:** 200kA

RECOMMENDED FOR USE WITH:

- Blade-style fuses

APPROVALS:

- UL Recognized Component File for 1SC: E52283
File for 1MSC: E35113



DIMENSIONS - 1SC:

Catalog No.	Maximum Voltage Rating*	Current Rating I _n (A)	Pkg.	UR	Connector		Hardware		Tightening Torque (lb.-in.)			Fig.
					Type	Wire Range	Bolt	Washer	Cable	Fuse	Mounting	
1SC250	1500	400	Pair	Yes	1/4" Stud	—	—	—	60	60	25	1
1SC375	1500	800	Pair	Yes	3/8" Stud	—	—	—	190	190	50	2
1SCM8	1500	400	Pair	Yes	M8 Stud	—	—	—	60	60	25	1
1SCM10	1500	800	Pair	Yes	M10 Stud	—	—	—	190	190	50	2

For 1SC, order quantity 1 to receive 1 pair.
*Voltage rating applies to AC and DC.

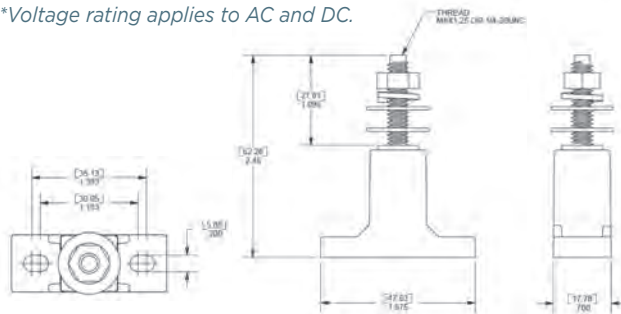


Figure 1

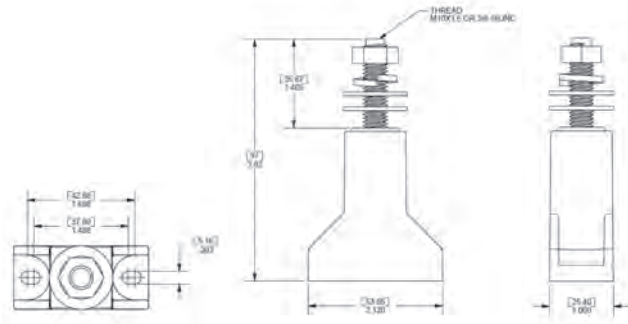


Figure 2

1SC/1MSC

Modular Semiconductor Fuse Blocks

DIMENSIONS - 1MSC:

Catalog No.	Maximum Voltage Rating*	Current Rating I _n (A)	Pkg.	UR	Type	Connector		Hardware		Tightning Torque (lb.-in.)			Fig.
						Wire Range		Bolt	Washer	Cable	Fuse	Mounting	
1MSC101	600	100	Each	Yes	Al Box	Al/Cu 2/0 - #6		1/4"	0.655"	120	70	25	3
1MSC102	600	400	Each	Yes	Al Box	Al/Cu (2) 250kcmil - #6		1/4"	0.655"	275	120	25	4
1MSC103	600	400	Each	Yes	Al Box	Al/Cu (2) 250kcmil - #6		3/8"	0.900"	275	120	25	5
1MSC104	600	600	Each	Yes	Al Box	Al/Cu (2) 500kcmil - #6		3/8"	0.900"	375	170	25	6

For 1MSC, order quantity 2 to receive 1 pair.

*Voltage rating applies to AC and DC.

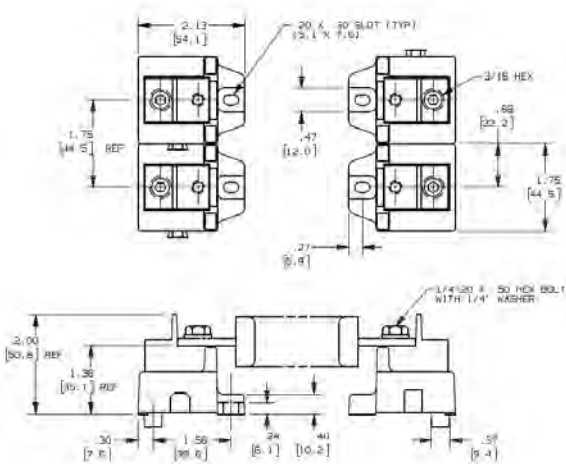


Figure 3

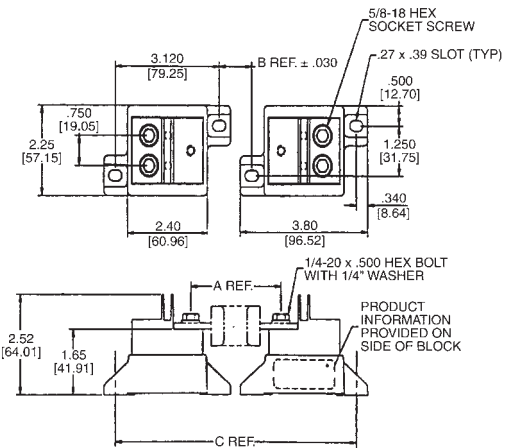


Figure 4

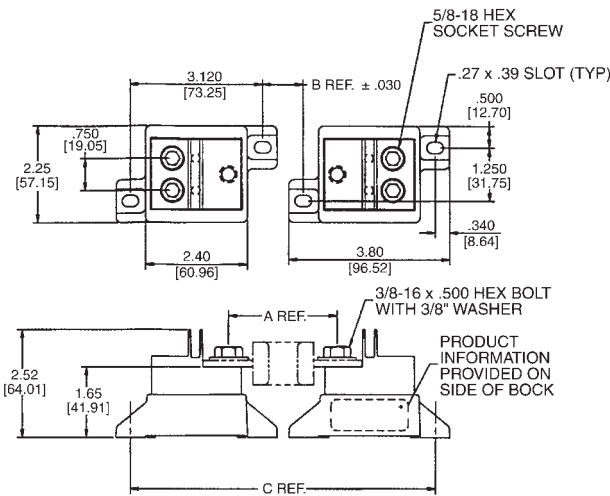


Figure 5

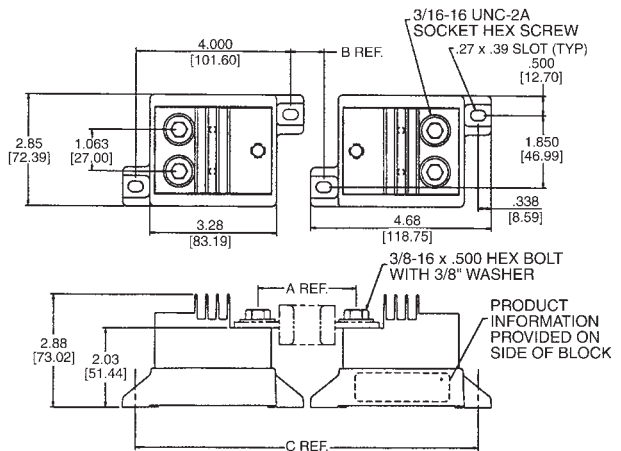


Figure 6

PS 20x127

Ferrule Fuse Holders and No-Load Disconnectors

FEATURES/BENEFITS:

- Solid assembly offers good thermal and mechanical withstand rating
- Fuse mounting in holders or no-load disconnectors with or without open fuse indicating microswitches
- Phenolic resin models for basic applications, fiber-glass polyester for applications in corrosive atmospheres or applications for traction
- Voltage = 1500 V and 2500 V



RATINGS:

- **Volts:** 1,500V, 2,500V
- **SCCR:** 42kA AC, 55kA DC

RECOMMENDED FOR USE WITH:

- 20 x 127 Ferrule Fuses

APPROVALS:

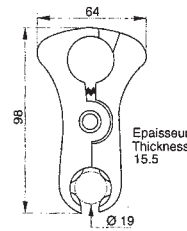
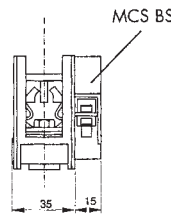
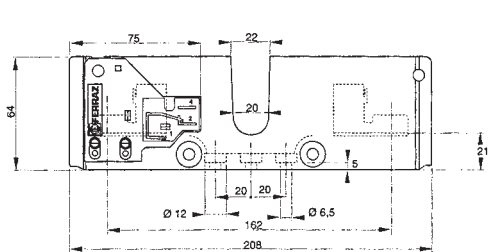
- UL Recognized component File E113357



Connecting with 50 mm² max. cable with copper terminals or with a 15 x 8 max. rigid or flexible bar.

DIMENSIONS:

Description	Insulation voltage rating Ui AC 50/60 Hz or DC	Fuse current rating I _n (A)	Maximum operating current of fuse (A)					Advised copper wire size mm ²	Fire and fumes class NF F 16-101 and 102 and UL
			1000 V gLB	=1000 V gRC	=1000 V gRB	=1500 V gRB	=1500 V gRD		
PSI 20X127	1500 V without terminal covers	50		50	No Operating Limit			10	basic model 12-F1 UL 94 V1
PSI 20X127 PRE	2500 V with terminal covers and only salt spray-proof model	63	80	56				25	
PSII 20X127 PRE		80	90	35					
PSIII 20X127 PRE		100	100	50					
PSIV 20X127 PRE		125							



CATALOG NUMBERS

FUSE HOLDERS AND ACCESSORIES:

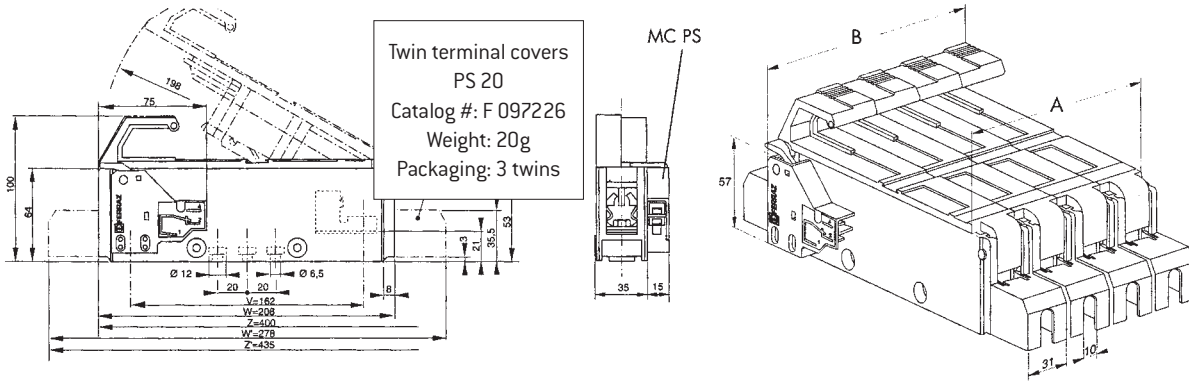
Description	Catalog No.	Weight (g)	Packaging
PSI 20x127	X 097310	260	3 pieces
PSI 20x127 + MCS BS	X 220130	290	2 pieces

PMCP 20+22
Catalog #: K 100036
Weight: 40g
Packaging: 1

PS 20x127

Ferrule Fuse Holders and No-Load Disconnectors

FUSE NON-LOAD DISCONNECTORS AND ACCESSORIES:



V: Connecting distance between centers
 W: Clip for rail mounting in two positions
 W': With terminal cover length
 Y: Space factor with a 90° fuse carrier position

Z: Without terminal cover, space factor with a 180° fuse carrier position
 Z': With terminal cover, space factor with 180° fuse carrier position

Description (basic model)	Catalog No.
PSI 20x127 PRE	F097203
PSII 20x127 PRE	G097227
PSIII 20x127 PRE	H097228
PSIV 20x127 PRE	J097229
PSI 20 x 127 PRE+MC PS	H097205
PSII 20 x 127 PRE+MC PS	D097293
PSIII 20 x 127 PRE+MC PS	E097294
PSIV 20 x 127 PRE+MC PS	F097295

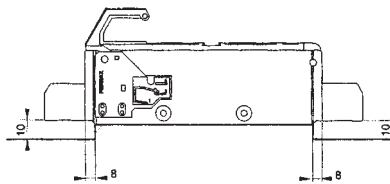
No. of Poles	A	B
1	35	50
2	69	84
3	103	118
4	137	152

Preisolating and blown fuse indicating microswitch features	
Microswitch rated current	Non-inductive circuit interrupting rating
3A - 50 Hz	3A - 50 Hz
3A - DC	3A - DC

Reliable minimum operating voltage/
 current: 10V - 10mA
 Connecting with 6.35 mm lug

Description (salt spray-proof model)	Ref. No.
PSI 20x127 PRE BS	G097204
PSII 20x127 PRE BS	L097231
PSIII 20x127 PRE BS	T097261
PSIV 20x127 PRE BS	C097292
PSI 20 x 127 PRE BS+MC PS	J097206
PSII 20 x 127 PRE BS+MC PS	G097296
PSIII 20 x 127 PRE BS+MC PS	H097297
PSIV 20 x 127 PRE BS+MC PS	J097298

Distances when mounting on a conductive board @ $U_i = 2500$ VAC



USM

UltraSafe™ Fuse Holders for Midget 1-1/2" x 13/32" Fuses, IP20

Mersen UltraSafe Modular Fuse holders introduce a new level of safety for Midget 1-1/2" x 13/32" (USM) AC and DC-rated fuses up to 30 amperes. UltraSafe holders qualify as "Finger-safe" under IEC and DIN standards to an IP20 grade of protection, including fuse changing (with the flick of a finger). UltraSafe holders are available in 1, 2, 3 or 4 poles, with or without visual blown-fuse indicators in each pole. Multi-pole units can also be field assembled by ordering pin-tie handles.

UltraSafe holders save up to 15% mounting space and any combination can be snapped onto 35mm DIN-rail for extra savings in panel building time. UltraSafe body material is tough and durable polyamide, with exceptional insulating properties.



FEATURES/BENEFITS: RECOMMENDED FOR USE WITH:

- IP20 Finger-Safe (touch safe)
 - Optional visual blown fuse Indicator lights
 - DIN-rail mounting
 - Compact footprint
 - Quick, tool-free, easy fuse change outs
- ATQ, ATM*, A6Y-2B, A25Z-2, TRM, OTM, A13X-2, A60Q-2, DCT*, HP6M, HP10M

** Recommended for DC applications*

RATINGS:

- **Volts:** 800VAC Maximum, 1000VDC Maximum
- **Amps:** 30A Maximum
- **SCCR:** 200kA AC, 100kA DC

Min. voltage to operate indicator light: 90VAC, 115VDC [Less than 0.7 mA leakage current at 600V]

APPLICATIONS:

- All circuits up to 600 volts for motors, control circuits, transformers, etc.
- DC circuits up to 1000VDC including photovoltaic applications
- Non-load disconnect

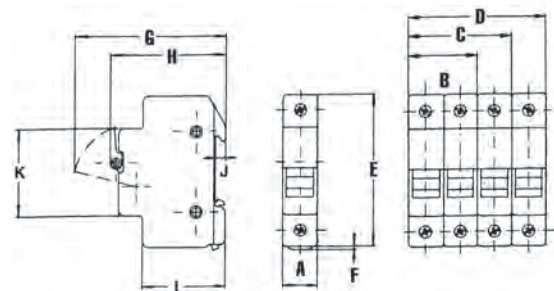
APPROVALS:

- UL Listed to Standard 4248-4 (class CC) and 4248-1 (midget), File E52283
- UL Listed to standard 4248-18 (photovoltaic), File E347822
- CSA Certified C22.2
- IEC 60269-2-1 and 60947-3 Compliant (USM only)



DIMENSIONS:

Dimension	mm	In	Dimension	mm	In
A	17.5	0.69	G	78.0	3.07
B	35.0	1.38	H	59.0	2.32
C	52.5	2.07	I	42.5	1.67
D	70.0	2.76	J	5.0	0.20
E	78.0	3.07	K	45.0	1.77
F	2.5	0.10			



CATALOG NUMBERS — FUSE HOLDERS:

Fuse Type	Current Rating I _n (A)	Voltage Rating		Visual Indication	No. of Poles	Catalog Number
		AC	DC			
Midget { 10 x 38mm } { 1-1/2" x 13/32" }	30	800	1000	No	1	USM1
	30	800	1000	No	2	USM2
	30	800	1000	No	3	USM3
	30	800	1000	No	4	USM4
	30	800	1000	No	3+N	USM3N
	30	600	600	Yes	1	USM1I
	30	600	600	Yes	2	USM2I
	30	600	600	Yes	3	USM3I
	30	600	600	Yes	4	USM4I
	30	600	600	Yes	3+N	USM3IN
	30	120	-	Yes	1	USM1I-AC120
	30	-	24	Yes	1	USM1I-DC24

CATALOG NUMBERS—ACCESSORIES:

Accessories Catalog No.	Description
USN	1-Pole with Integral Neutral Link
USPTH	Pin-tie Accessory for 12-Poles

IEC Ratings for USM: 690VAC / 1000VDC, 32A, 50kA SCCR

CSA Ratings for USM: 750VAC / 1000VDC, 30A



USPTH Pin-Tie Accessory



USM1 with USPTH Pin-Ties

ADDITIONAL SPECIFICATIONS:

- **Terminal screws:** Phillips/slot head
- **Suggested screw torque:** 14.75 in-lbs.
- **Wire range:** #14 to 6 AWG (2.5 to 16mm²) single conductor; #14 to 10 AWG (2.5 to 5.0 mm²) dual conductor
- **Wire type:** 60/75/90°C solid/stranded copper
- **Connector type:** Pressure plate
- **Load-break disconnect:** No
- **Environmental:** RoHS compliant, lead free
- **Operating temperature:** -40° to 85°C
- **Watts loss:** 3W or less
- **Flammability rating:** UL 94-V0
- **Optional Blown Fuse Indicator Lens Color:** Red

UltraSafe™ US14

For 14 x 51 mm A70QS, A70P, URC, URD Fuses

Mersen UltraSafe™ US14 modular fuse-holders are finger-safe under IEC standards to an IP20 grade of protection, including fuse changing (with the flick of a finger). Modular fuse-holders are available in 1, 2, 3 or 4 poles, with or without visual blown fuse indicator, in UL + IEC version.

Multi-pole units can also be field assembled by ordering pin-ties assembly kit. In this size, the range also offers the possibility to use microswitches (supplied with the holders or ordered separately) to allow remote indication.

UltraSafe™ range is made of tough and durable thermoplastic or thermoset material.



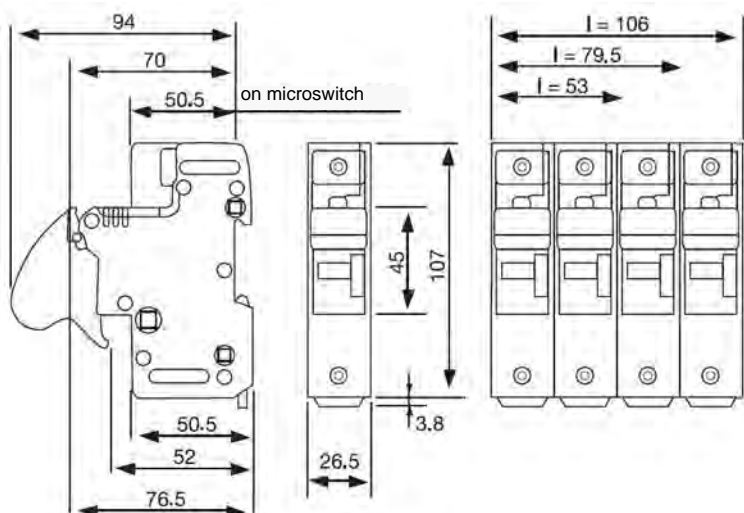
FEATURES/BENEFITS:

- Finger safe
- Degree of protection: IP20
- Optional visual blown fuse indicator & microswitch
- DIN rail mounting
- Modular design
- Lockable
- Multi-pole assembly kit available
- Sealable in closed and open position
- Plastic material UL94V2 mini
- Flame retardant materials with glow wire flammability index to 960°C

RATINGS:

- **Volts:** 750VAC/DC
- **Amps:** 50A (14 x 51 mm), 125A (22 x 58 mm)
- **SCCR:** 200kA

DIMENSIONS



RECOMMENDED FOR USE WITH:

- US14 use with 14 x 51 mm: A70QS, A70P, URC, URD



APPROVALS:

- UL Recognized Component, UL4248, guide IZLT2, file E52283
- CSA Certified C22.2, class 6225, file 32169
- IEC 60269-2 and IEC 60947-3
- RoHS Compliant
- Plastic material: NF 16101 & 16102 Requirement 2 Compliant

UltraSafe™ US14

For 14 x51 mm A70QS, A70P, URC, URD Fuses



US143

UltraSafe™ fuse holders for 14x51 fuse links, without indicator

Catalog number	Item number	Number of poles/ phases	Design	Package	Weight
US141	Z331153	1	US14 single pole	6	0.14 kg
US141N	D331157	1 + N	US14 single pole + neutral conductor	3	0.30 kg
US142	G331137	2	US14 double pole	3	0.28 kg
US143	N331143	3	US14 triple pole	2	0.43 kg
US143N	X331151	3 + N	US14 triple pole + neutral conductor	1	0.6 kg



US141I

UltraSafe™ fuse holders for 14x51 fuse links, with indicator

Catalog number	Item number	Number of poles/ phases	Design	Package	Weight
US141I	A331154	1	US14 single pole	6	0.14 kg
US142I	H331138	2	US14 double pole	3	0.3 kg
US143I	P331144	3	US14 triple pole	2	0.44 kg



US142M2

UltraSafe™ fuse holders for 14x51 fuse-links, with auxiliary microswitch

Catalog number	Item number	Number of poles/ phases	Design	Package	Weight
US141M	B331155	1	US14 single pole, 1 microswitch	6	0.15 kg
US142M	J331139	2	US14 double pole, 2 microswitches	3	0.31 kg
US142M2	L331141	2	US14 double pole, 2 connected microswitches	3	0.31 kg
US143M	Q331145	3	US14 triple pole	2	0.45 kg
US143M2	T331148	3	US14 triple pole, 2 connected microswitches	2	0.45 kg
US143NM	Y331152	3 + N	US14 triple pole + neutral conductor, 3 microswitches	1	0.62 kg



US143MI

UltraSafe™ fuse holders for 14x51 fuse-links, with indicator and auxiliary microswitch

Catalog number	Item number	Number of poles/ phases	Design	Package	Weight
US141MI	C331156	1	US14 single pole	6	0.15 kg
US142MI	K331140	2	US14 double pole	3	0.31 kg
US142M2I	M331142	2	US14 double pole	3	0.28 kg
US143MI	S331147	3	US14 triple pole	2	0.46 kg
US143M2I	W331150	3	US14 triple pole	2	0.46 kg

UltraSafe™ US14

For 14 x51 mm A70QS, A70P, URC, URD Fuses

TECHNICAL DATA

	US14	US14I	US14M	US14MI
Size	14x51	14x51	14x51	14x51
Number of poles/phases	1, 1+N, 2, 3, 3+N, 4	1, 1+N, 2, 3, 3+N, 4	1, 1+N, 2, 3, 3+N, 4	1, 1+N, 2, 3, 3+N, 4
UL ratings AC	800VAC, 50A, 50kA	800 VAC, 50 A, 50 kA	800 VAC, 50 A, 50 kA	800 VAC, 50 A, 50 kA
UL ratings DC	1000VDC, 50A, 50kA	1000 VDC, 50 A, 50 kA	1000 VDC, 50 A, 50 kA	1000 VDC, 50 A, 50 kA
Conventional free air thermal current with fuse links I_{th}	50 A	50 A	50 A	50 A
Power dissipation at I_{th}	5 W	5 W	5 W	5 W
Utilisation category	AC20B/DC20B	AC20B/DC20B	AC20B/DC20B	AC20B/DC20B
Rated insulation voltage U_i	690 V	690 V	690 V	690 V
SCCR	100 kA	100 kA	100 kA	100 kA
Rated impulse withstand voltage U_{imp}	8 kV	8 kV	8 kV	8 kV
Degree of protection	IP 20	IP 20	IP 20	IP 20
Voltage limit for blown fuse indicator	-	230 to 690V AC/DC	-	230 to 690V AC/DC
Indication System	-	with indicator	with auxiliary microswitch	with indicator and auxiliary microswitch
Operating temperature	-25°C to 60°C	-25°C to 60°C	-25°C to 60°C	-25°C to 60°C
Storage temperature	-25°C to 80°C	-25°C to 80°C	-25°C to 80°C	-25°C to 80°C
Connection	Max. tightening torque: 3.5Nm (30lbs-in) Rigid wire = 1.5-35mm ² (16-3AWG) Stranded wire = 1.5-25mm ² (16-4AWG) PZ2 or flat 5.5x1mm screw drivers recommended (max. diameter 6mm)	Max. tightening torque: 3.5Nm (30lbs-in) Rigid wire = 1.5-35mm ² (16-3AWG) Stranded wire = 1.5-25mm ² (16-4AWG) PZ2 or flat 5.5x1mm screw drivers recommended (max. diameter 6mm)	Max. tightening torque: 3.5Nm (30lbs-in) Rigid wire = 1.5-35mm ² (16-3AWG) Stranded wire = 1.5-25mm ² (16-4AWG) PZ2 or flat 5.5x1mm screw drivers recommended (max. diameter 6mm)	Max. tightening torque: 3.5Nm (30lbs-in) Rigid wire = 1.5-35mm ² (16-3AWG) Stranded wire = 1.5-25mm ² (16-4AWG) PZ2 or flat 5.5x1mm screw drivers recommended (max. diameter 6mm)

SPECIFIC USAGE CONDITIONS

Ambient temperature	>20°C	30°C	40°C	50°C	60°C
Derating factor (I_a)	1	0.95	0.9	0.8	0.7

No of poles (side by side)	1 to 3	4 to 6	>/= 7
Derating factor of current (I_{th})	1	0.95	0.9

Nominal current of fuse-link gR	25 A	32 A	40 A	50 A	63 A
Max. operational current in fuse-holder	23 A	28 A	34 A	40 A	46 A
Cable wire section	4 mm ²	6 mm ²	10 mm ²	10 mm ²	16 mm ²

UltraSafe™ US14

For 14 x51 mm A70QS, A70P, URC, URD Fuses

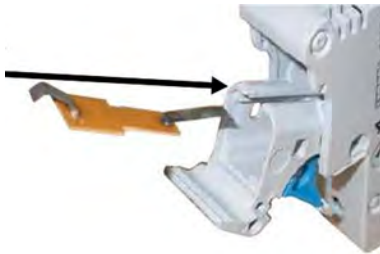
FUNCTIONS



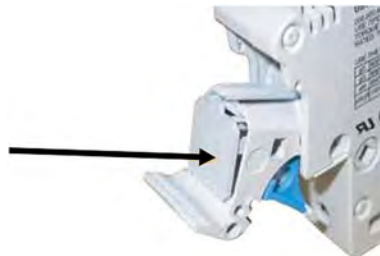
Indicator light kit for US14

With the indicator light a blown fuse can be quickly located if power is still on.

1. Carefully remove the cover with 2 screw drivers.



2. Slip the indicator light's to insert into the rails, being careful not to twist the contact tabs.

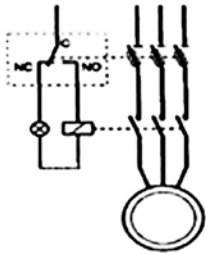


3. Put the cover back on.

UltraSafe™ US14

For 14 x51 mm A70QS, A70P, URC, URD Fuses

FUNCTIONS

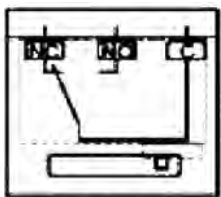


Auxiliary microswitch functions

Fuse melting: a fuse-holder containing a fuse with a striker sends out a signal when the fuse element melts.

Pre-isolation: when opening the fuse-holder, the microswitch sends a signal before the opening of the main contacts.

Presence: sends a signal when the holder is closed with no fuse in it.



With the fuse in the handle closed state



No fuse - Fuse blown in handle open

Characteristics

Rated insulation voltage: 250VAC

Rated operational current following IEC 60947-5 & -1

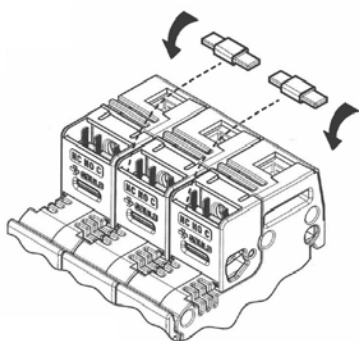
Utilization category AC15: 4A/24V, 4A/48V, 3A/127V, 2.5A/240V

Utilization category DC13: 3A/24V, 1A/48V, 0.2A/127V, 0.1A/240V

Minimum operational current and voltage: 1mA/4V AC or DC

Auxiliary microswitch is designed to operate equally well on dual-current (1mA 4V minimum) or medium-current (5A maximum) circuits. However, a given product should only be used to switch one type of circuit during its working life.

Connection: Faston lugs



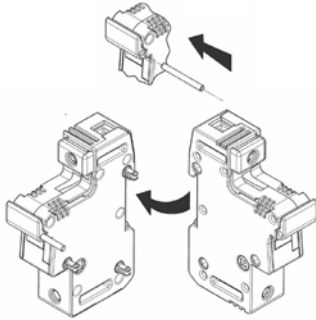
Mechanically interconnected

3 X USMSW1 + 2 X US1422PTH

UltraSafe™ US14

For 14 x51 mm A70QS, A70P, URC, URD Fuses

ACCESSORIES



Multiphase connection kit



LOCK



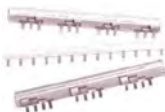
TBB1A

TBB1C



TBB23A

TBB23C



Kit for multi-phase connection

Catalog number	Item number	Design	Package	Weight
US14PAK	US14PAK	links for connection of multipole units	10	2.5 g
US14PAK	US14PAK	links for connection of multipole units	10	2.5 g
US14PAK	US14PAK	links for connection of multipole units	10	2.5 g
US14PAK	US14PAK	links for connection of multipole units	10	2.5 g
US14PAK	US14PAK	links for connection of multipole units	10	2.5 g

Auxiliary Switches

Catalog number	Item number	Design	Package	Weight
USMSW1	USMSW1	Auxiliary contact kit 1 pole US14	1	25 g
USMSW2	USMSW2	Auxiliary contact kit 3 poles US14	1	20 g
USMSW3	USMSW3	2 Auxiliary contact kit 3 poles US14	1	27 g

Kit for multi-phase connection

Catalog number	Item number	Features	Package	Weight
LOCK	M223525	Padlock	1	0.48 kg
TAGLOCKCMS14	T1015927	Locking kit (Tag and lockout)	1	20 g

Power supply

Catalog number	Item number	Application	Features	Package	Weight
TBB1A	D210315	Max. rms current 90A	1 phase axial incoming power supply	50	10.1 g
TBB1C	E210316	Max. rms current 90A	1 phase lateral incoming power supply	50	10 g
TBB23A	F210317	Max. rms current 90A	2 & 3 phases axial incoming power supply	50	23.3 g
TBB23C	G210318	Max. rms current 90A	2 & 3 phases lateral incoming power supply	50	23.1 g

Wiring bars / Insulated bus bars

Catalog number	Item number	Design	Application	Package	Weight
CMS14BB3F4	A210312	triple pole	Max. rms current 100A, for installation of 4 modules	5	0.12 kg
CMS14BB2F6	Z210311	double pole	Max. rms current 63A, for installation of 6 modules	5	0.1 kg
CMS14BB1F12	Y210310	single pole	Max. rms current 63A, for installation of 12 modules	5	47.4 g

Indication facilities

Catalog number	Item number	Features	Package	Weight
CMS1422LHI	A225653	Indicator light kit	1	10 g

UltraSafe™ US22

For Use with 22 x 58 mm: A70QS, URD Fuses

Mersen's UltraSafe™ US22 modular fuse holders are finger-safe under IEC standards to an IP20 grade of protection, including fuse changing (with the flick of a finger). Modular fuse-holders are available in 1, 2, 3 or 4 poles, with or without visual blown fuse indicator, in UL + IEC version.

Multi-pole units can also be field assembled by ordering pin-ties assembly kit. In this size, the range also offers the possibility to use microswitches (supplied with the holders or ordered separately) to allow remote indication.

UltraSafe™ range is made of tough and durable thermoplastic or thermoset material.

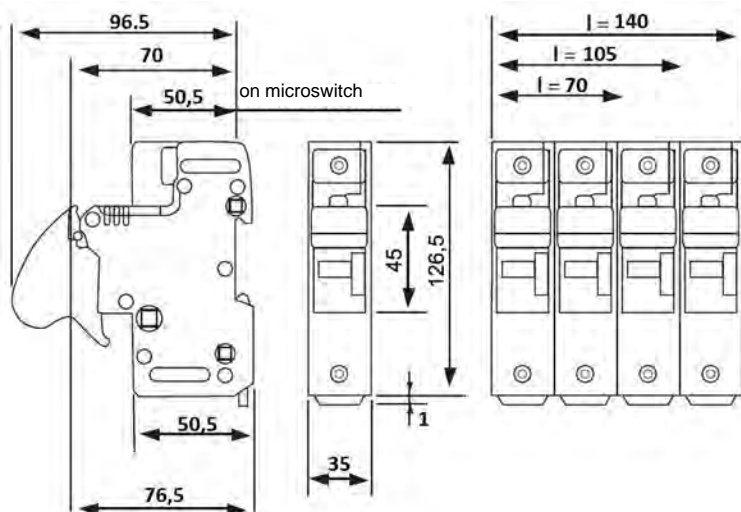
FEATURES/BENEFITS:

- Finger safe
- Degree of protection: IP20
- Optional visual blown fuse indicator & microswitch
- DIN rail mounting
- Modular design
- Lockable
- Multi-pole assembly kit available
- Sealable in closed and open position
- Plastic material UL94V2 mini
- Flame retardant materials with glow wire flammability index to 960°C

RATINGS:

- **Volts:** 800VAC (SCCR: 50kA), 1000VDC (SCCR: 100kA)
- **Amps:** 125A Maximum

DIMENSIONS



RECOMMENDED FOR USE WITH:

- 22x58mm ferrule , A70QS, URD Fuses

APPROVALS:

- UL Recognized Component, UL4248, guide IZLT2, file E52283
- CSA Certified C22.2, class 6225, file 32169
- IEC 60269-2 and IEC 60947-3
- RoHS Compliant
- Plastic material: NF 16101 & 16102 Requirement 2 Compliant

UltraSafe™ US22

For Use with 22 x 58 mm: A70QS, URD Fuses



US221

UltraSafe™ fuse holders for 22x58 fuse links, without indicator

Catalog number	Item number	Number of poles/ phases	Design	Package	Weight
US223	R331169	3	triple pole	2	0.64 kg
US223N	X331174	3 + N	triple pole + neutral conductor	1	0.91 kg
US221	E331158	1	single pole	6	0.21 kg
US222	K331163	2	double pole	3	0.44 kg
US221N	H331161	1 + N	single pole + neutral conductor	3	0.45 kg



US223I

UltraSafe™ fuse holders for 22x58 fuse links, with indicator

Catalog number	Item number	Number of poles/ phases	Design	Package	Weight
US221I	F331159	1	single pole	6	0.22 kg
US222I	L331164	2	double pole	3	0.33 kg
US223I	S331170	3	triple pole	2	0.44 kg



US222M

UltraSafe™ fuse holders for 22x58 fuse links, with auxiliary microswitch

Catalog number	Item number	Number of poles/ phases	Design	Package	Weight
US221M	G331160	1	single pole	6	0.15 kg
US221NM	J331162	1 + N	single pole + neutral conductor	3	0.47 kg
US222M	M331165	2	double pole	3	0.46 kg
US222M2	P331167	2	double pole	3	0.46 kg
US223M	T331171	3	triple pole	2	0.67 kg
US223M2	W331173	3	triple pole	2	0.67 kg



US222MI

UltraSafe™ fuse holders for 22x58 fuse links, with indicator and auxiliary microswitch

Catalog number	Item number	Number of poles/ phases	Design	Package	Weight
US221MI	Z1006203	1	single pole	6	0.22 kg
US222MI	N331166	2	double pole	3	0.46 kg
US223M2I	X1011974	3	triple pole	2	0.65 kg
US222M2I	Q331168	2	double pole	3	0.47 kg
US223MI	V331172	3	triple pole	2	0.68 kg

UltraSafe™ US22

For Use with 22 x 58 mm: A70QS, URD Fuses

TECHNICAL DATA

	US22	US22I	US22M	US22MI
Size	22x58	22x58	22x58	22x58
Number of poles/phases	1, 1+N, 2, 3, 3+N	1, 2, 3	1, 1+N, 2, 3	1, 2, 3
UL ratings AC	800 VAC, 125 A, 50 kA	800 VAC, 125 A, 50 kA	800 VAC, 125 A, 50 kA	800 VAC, 125 A, 50 kA
UL ratings DC	1000 VDC, 125 A, 100 kA	1000 VDC, 125 A, 100 kA	1000 VDC, 125 A, 100 kA	1000 VDC, 125 A, 100 kA
Conventional free air thermal current with fuse links I_{th}	125 A	125 A	125 A	125 A
Power dissipation at I_{th}	9.5 W	9.5 W	9.5 W	9.5 W
Utilisation category	AC20B/DC20B	AC20B/DC20B	AC20B/DC20B	AC20B/DC20B
Rated insulation voltage U_i	750 V	750 V	750 V	750 V
SCCR	100 kA	100 kA	100 kA	100 kA
Rated impulse withstand voltage U_{imp}	8 kV	8 kV	8 kV	8 kV
Degree of protection	IP 20	IP 20	IP 20	IP 20
Voltage limit for blown fuse indicator	-	230 to 690V AC/DC	-	230 to 690V AC/DC
Indication System	-	with indicator	with auxiliary microswitch	with indicator and auxiliary microswitch
Operating temperature	-25°C to +60°C	-25°C to 60°C	-25°C to 60°C	-25°C to 60°C
Storage temperature	-25°C to +80°C	-25°C to 80°C	-25°C to 80°C	-25°C to 80°C
Connection	Max. tightening torque: 4Nm (35lbs-in) Rigid wire = 1.5-50mm ² (16-1AWG) Multistrand wire = 35mm ² (3AWG) PZ2 or flat 6.5x1.2mm screw drivers recommended (max. diameter 7mm)	Max. tightening torque: 4Nm (35lbs-in) Rigid wire = 1.5-50mm ² (16-1AWG) Multistrand wire = 35mm ² (3AWG) PZ2 or flat 6.5x1.2mm screw drivers recommended (max. diameter 7mm)	Max. tightening torque: 4Nm (35lbs-in) Rigid wire = 1.5-50mm ² (16-1AWG) Multistrand wire = 35mm ² (3AWG) PZ2 or flat 6.5x1.2mm screw drivers recommended (max. diameter 7mm)	Max. tightening torque: 4Nm (35lbs-in) Rigid wire = 1.5-50mm ² (16-1AWG) Multistrand wire = 35mm ² (3AWG) PZ2 or flat 6.5x1.2mm screw drivers recommended (max. diameter 7mm)

SPECIFIC USAGE CONDITIONS

Ambient temperature	>20°C	30°C	40°C	50°C	60°C
Derating factor (I_e)	1	0.95	0.9	0.8	0.7

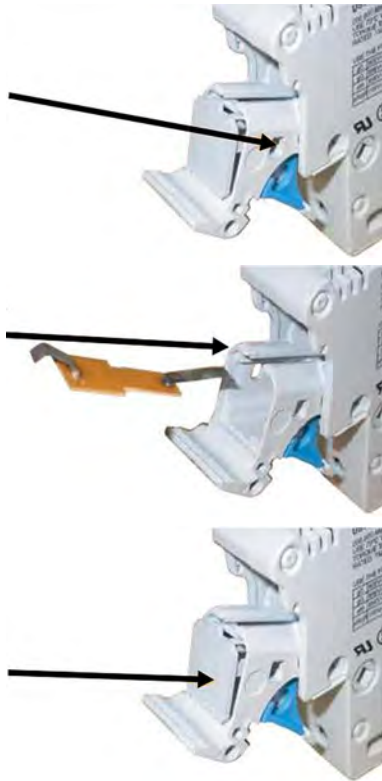
No of poles (side by side)	1 to 3	4 to 6	>/= 7
Derating factor of current (I_{th})	1	0.95	0.9

Nominal current of fuse-link gR	25 A	32 A	40 A	50 A	63 A
Max. operational current in fuse-holder	23 A	28 A	34 A	40 A	46 A
Cable wire section	4 mm ²	6 mm ²	10 mm ²	10 mm ²	16 mm ²

UltraSafe™ US22

For Use with 22 x 58 mm: A70QS, URD Fuses

FUNCTIONS



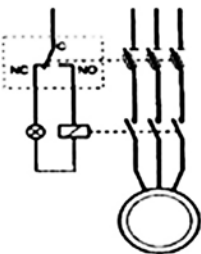
Indicator light kit for US22

With the indicator light a blown fuse can be quickly located if power is still on.

1. Carefully remove the cover with 2 screw drivers.

2. Slip the indicator light's to insert into the rails, being careful not to twist the contact tabs.

3. Put the cover back on.

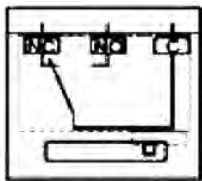


Auxiliary microswitch functions

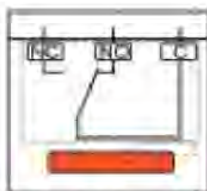
Fuse melting: a fuse-holder containing a fuse with a striker sends out a signal when the fuse element melts.

Pre-isolation: when opening the fuse-holder, the microswitch sends a signal before the opening of the main contacts.

Presence: sends a signal when the holder is closed with no fuse in it.



With the fuse in the handle closed state



No fuse - Fuse blown in handle open

Characteristics

Rated insulation voltage: 250VAC

Rated operational current following IEC 60947-5 & -1

Utilization category AC15: 4A/24V, 4A/48V, 3A/127V, 2.5A/240V

Utilization category DC13: 3A/24V, 1A/48V, 0.2A/127V, 0.1A/240V

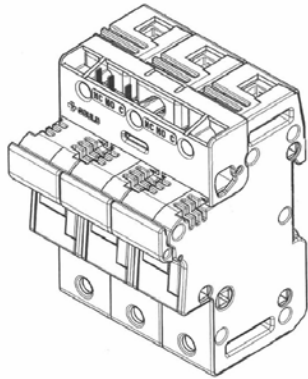
Minimum operational current and voltage: 1mA/4V AC or DC

Auxiliary microswitch is designed to operate equally well on dual-current (1mA 4V minimum) or medium-current (5A maximum) circuits. However, a given product should only be used to switch one type of circuit during its working life.

Connection: Faston lugs

UltraSafe™ US22

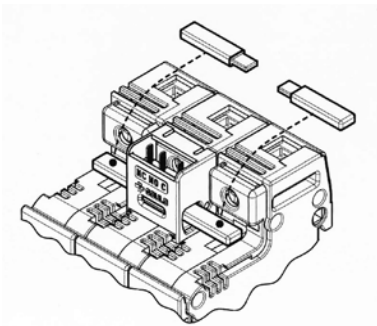
For Use with 22 x 58 mm: A70QS, URD Fuses



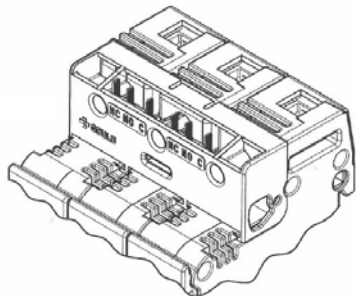
Auxiliary microswitch can only be mounted on previously prepared fuse disconnectors. Use of the auxiliary microswitch for fuse melting requires the use of fuses with strikers.

1 auxiliary microswitch

Auxiliary microswitch is designed to operate equally well on dual-current (1mA 4V minimum) or medium-current (5A maximum) circuits. However, a given product should only be used to switch one type of circuit during its working life. Connection: Faston lugs

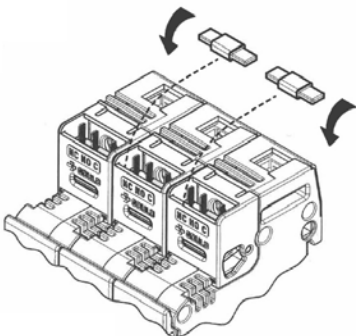


USMSW4



2 auxiliary microswitches

USMSW4 + US1422BP

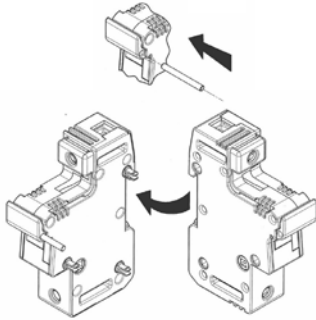


3 x USMSW4

UltraSafe™ US22

For Use with 22 x 58 mm: A70QS, URD Fuses

ACCESSORIES



multiphase connection kit



LOCK



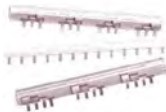
TBB1A

TBB1C



TBB23A

TBB23C



Kit for multi-phase connection

Catalog number	Item number	Design	Package	Weight
US22PAK	US22PAK	links for connection of multipole units	10	0.48 kg

Auxiliary Switches

Catalog number	Item number	Design	Package	Weight
CMS22W2	CMS22W2	Auxiliary microswitch kit 3 poles CMS22	1	32 g
CMS22W3	CMS22W3	2 Auxiliary microswitches kit 3 poles CMS22	1	35 g
USMSW4	USMSW4	Auxiliary contact kit 1 pole US22	1	20 g

Locking devices

Catalog number	Item number	Design	Package	Weight
LOCK	M223525	Padlock	1	0.48 kg
TAGLOCKCMS22	V1015928	Locking kit (Tag and lockout)	1	25 g

Power Supply

Catalog number	Item number	Application	Features	Package	Weight
TBB1A	D210315	Max. rms current 90A	1 phase axial incoming power supply	50	10.1 g
TBB1C	E210316	Max. rms current 90A	1 phase lateral incoming power supply	50	10 g
TBB23A	F210317	Max. rms current 90A	2 & 3 phases axial incoming power supply	50	23.3 g
TBB23C	G210318	Max. rms current 90A	2 & 3 phases lateral incoming power supply	50	23.1 g

Wiring bars / Insulated bus bars

Catalog number	Item number	Design	Application	Package	Weight
CMS22BB2F6	C210314	double pole	Max. rms current 150A, for installation of 6 modules	5	0.30 kg
CMS22BB1F12	B210313	single pole	Max. rms current 90A, for installation of 12 modules	5	81 g

Indication facilities

Catalog number	Item number	Features	Package	Weight
CMS1422LHI	A225653	Indicator light kit	1	10 g

Modulostar[®] CMS27 - UltraSafe[™] US27

For use with 27x60 fuse links. IP20

The innovative and comprehensive Modulostar[®] range of Mersen fuse-holders.

Modular fuse-holders are finger-safe as per IEC standards to an IP20 grade of protection. Including fuse changing, with the flick of a finger. Modular fuse-holders are available in 1, 2 or 3 poles, with or without visual blown fuse indicators, in IEC + UL version.

Multi-pole units can also be field assembled by ordering pin-ties assembly kit. The range offers the possibility to use microswitches (supplied with the holders or ordered separately) to allow remote indication. Modulostar[®] range is made of tough and durable thermoplastic or thermoset material.



FEATURES/BENEFITS:

- Finger safe
- Degree of protection: IP20
- Optional visual blown fuse indicator & microswitch
- Designs available for DIN rail mounting and direct mounting on board
- Modular design
- Multi-pole assembly kit available
- Plastic material UL94V2 mini
- Flame retardant materials with glow wire flammability index to 960°C

RECOMMENDED FOR USE WITH:

- 27x60mm ferrule fuses

RATINGS:

- **Volts:** 800V
- **Amps:** 140A Maximum

APPLICATIONS:

- All circuits up to 800V using high speed fuses for protection of small inverters, UPS systems, motor drives, etc.
- Non-load operation

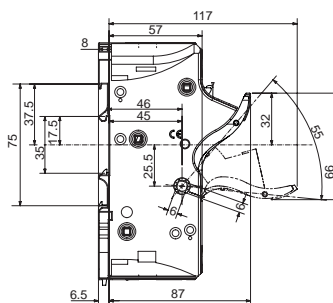
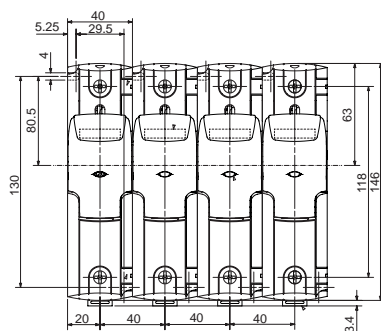
APPROVALS:

- IEC 60269-2 and IEC 60947-3 Compliance
- UL4248-1 Compliant
- RoHS Compliant
- Plastic material: NF 16101 & 16102 Requirement 2 Compliant
- Vibration tested for marine and railway applications
- CCC (screw terminal connection only)

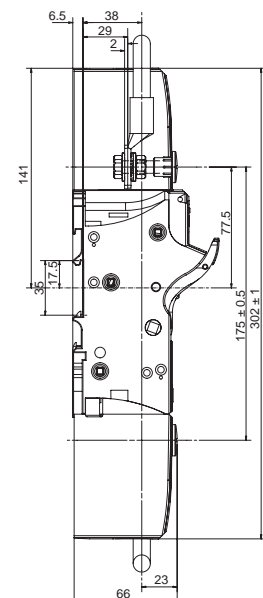
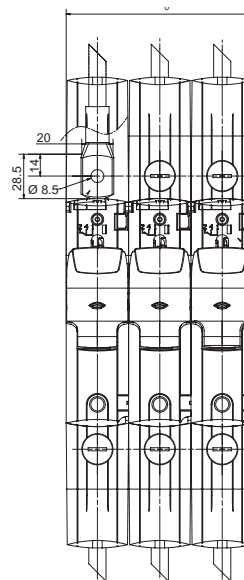


DIMENSIONS

Modulostar[®] CMS27 UltraSafe[™] US27 fuse-holders for cylindrical fuse-links class 27x60mm (0114931)
Terminal connection: screw, U bolt or connector



Modulostar[®] CMS27 UltraSafe[™] US27 fuse-holders for cylindrical fuse-links class 27x60mm (C118276) terminal connection: ring lug



Dimensions in mm

Modulostar® CMS27 - UltraSafe™ US27

For use with 27x60 fuse links. IP20



CMS27I

Modulostar® fuse holders for 27x60 fuse-links, without indicator

Catalog number	Item number	Number of poles/ phases	Design	Package	Weight
CMS271	R210580	1	single pole	3	0.30 kg
CMS271N	S210581	1 + N	single pole + neutral conductor	1	0.72 kg
CMS272	T210582	2	double pole	1	0.67 kg
CMS273	V210583	3	triple pole	1	0.91 kg
CMS273N	W210584	3 + N	triple pole + neutral conductor	1	1.25 kg
CMS27N	B210152	N	neutral conductor	3	0.37 kg



US27II

UltraSafe™ fuse holders for 27x60 fuse-links, with indicator

Catalog number	Item number	Number of poles/ phases	Design	Package	Weight
US271I	J226420	1	single pole	3	0.30 kg
US271NI	K226421	1+N	single pole + neutral conductor	1	0.73 kg
US272I	L226422	2	double pole	1	0.67 kg
US273I	M226423	3	triple pole	3	1 kg
US273NI	N226424	3+N	triple pole + neutral conductor	1	1.27 kg



US273

UltraSafe™ fuse holders for 27x60 fuse-links, without indicator

Catalog number	Item number	Number of poles/ phases	Design	Package	Weight
US271	G320005	1	single pole	3	0.30 kg
US272	H320006	2	double pole	1	0.66 kg
US273	J320007	3	triple pole	3	0.9 kg
US27N	R232729	N	neutral conductor	3	0.37 kg



US271MI

UltraSafe™ fuse holders for 27x60 fuse-links, with auxiliary microswitch and indicator

Catalog number	Item number	Number of poles/ phases	Design	Package	Weight
US271MI	R227600	1	single pole	1	0.32 kg
US272M2I	T227602	2	double pole, 2 microswitches	1	0.7 kg
US272MI	S227601	2	double pole, 1 microswitch	1	0.68 kg

UltraSafe™ fuse holders for 27x60 fuse-links, with auxiliary microswitch, indicator, and ring lug connection

Catalog number	Item number	Number of poles/ phases	Design	Package	Weight
US271MIRING	Z227607	1	single pole	1	0.54 kg
US272M2IRING	B227609	2	double pole, 2 microswitches	1	1.00 kg

UltraSafe™ fuse holders for 27x60 fuse-links, with indicator and ring lug connection

Catalog number	Item number	Number of poles/ phases	Design	Package	Weight
US271NIRING	E223518	1+N	single pole + neutral conductor	1	0.8 kg
US27IRING	B223515	1	single pole	3	0.47 kg
US272IRING	C223516	2	double pole	1	1.00 kg
US273IRING	D223517	3	triple pole	3	1.39 kg
US27NIRING	F223519	N	neutral conductor	3	0.34 kg

Modulostar[®] CMS27 - UltraSafe[™] US27

For use with 27x60 fuse links. IP20

TECHNICAL DATA

	CMS27	US27I	US27	US27M	US27MIRING	US27IRING
Size	27x60	27x60	27x60	27x60	27x60	27x60
Installation mode	direct mounting on board: 2xM4 screw with tightening torque 1-1.2Nm [8 to 10.6lbs-in]	direct mounting on board: 2xM4 screw with tightening torque 1-1.2Nm [8 to 10.6lbs-in]	direct mounting on board: 2xM4 screw with tightening torque 1-1.2Nm [8 to 10.6lbs-in]	direct mounting on board: 2xM4 screw with tightening torque 1-1.2Nm [8 to 10.6lbs-in]	direct mounting on board: 2xM4 screw with tightening torque 1-1.2Nm [8 to 10.6lbs-in]	direct mounting on board: 2xM4 screw with tightening torque 1-1.2Nm [8 to 10.6lbs-in]
Number of poles/phases	1, 1+N, 2, 3, 3+N	1, 1+N, 2, 3, 3+N	1, 1+N, 2, 3	1, 2	1, 2	1, 1+N, 2, 3
Conventional free air thermal current with fuse links I_{th}	140 A	140 A	140 A	140 A	140 A	140 A
Max. power dissipation of fuse links P_n	11 W	11 W	11 W	11 W	11 W	11 W
Utilisation category	AC20B/DC20B	AC20B/DC20B	AC20B/DC20B	AC20B/DC20B	AC20B/DC20B	AC20B/DC20B
Rated insulation voltage U_i	800 V	800 V	800 V	800 V	800 V	800 V
Rated impulse withstand voltage U_{imp}	8 kV	8 kV	8 kV	8 kV	8 kV	8 kV
Degree of protection	IP 20	IP 20	IP 20	IP 20	IP 20	IP 20
Voltage limit for blown fuse indicator	-	230 to 690V AC/DC	-	-	-	230 to 690V AC/DC
Indication System	-	with indicator	-	with auxiliary microswitch	with auxiliary microswitch and special connection	with indicator and special connection
Operating temperature	-25°C to 60°C	-25°C to 60°C	-25°C to 60°C	-25°C to 60°C	-25°C to 60°C	-25°C to 60°C
Storage temperature	-25°C to 80°C	-25°C to 80°C	-25°C to 80°C	-25°C to 80°C	-25°C to 80°C	-25°C to 80°C
Connection	rigid wire = 1.5-50mm ² [16-1/OAWG] multistrand wire = 1.5-16mm ² [16-6AWG] recommended tightening torque: 3.5Nm [30lbs-in] PZ3 or flat 8x1.2mm screw drivers recommended	rigid wire = 1.5-50mm ² [16-1/OAWG] multistrand wire = 1.5-16mm ² [16-6AWG] recommended tightening torque: 3.5Nm [30lbs-in] PZ3 or flat 8x1.2mm screw drivers recommended	rigid wire = 1.5-50mm ² [16-1/OAWG] multistrand wire = 1.5-16mm ² [16-6AWG] recommended tightening torque: 3.5Nm [30lbs-in] PZ3 or flat 8x1.2mm screw drivers recommended	rigid wire = 1.5-50mm ² [16-1/OAWG] multistrand wire = 1.5-16mm ² [16-6AWG] recommended tightening torque: 3.5Nm [30lbs-in] PZ3 or flat 8x1.2mm screw drivers recommended	-	-
Auxiliary switches						
Rated insulation voltage AC	250 V	250 V	250 V	250 V	250 V	250 V
Rated operational current to IEC 60947-5-1/AC15	4A/24V, 4A/48V, 3A/127V, 2,5A/240V	4A/24V, 4A/48V, 3A/127V, 2,5A/240V	4A/24V, 4A/48V, 3A/127V, 2,5A/240V	4A/24V, 4A/48V, 3A/127V, 2,5A/240V	4A/24V, 4A/48V, 3A/127V, 2,5A/240V	4A/24V, 4A/48V, 3A/127V, 2,5A/240V
Rated operational current to IEC 60947-5-1/AC13	3A/24V, 1A/48V, 0,2A/127V, 0,1A/240V	3A/24V, 1A/48V, 0,2A/127V, 0,1A/240V	3A/24V, 1A/48V, 0,2A/127V, 0,1A/240V	3A/24V, 1A/48V, 0,2A/127V, 0,1A/240V	3A/24V, 1A/48V, 0,2A/127V, 0,1A/240V	3A/24V, 1A/48V, 0,2A/127V, 0,1A/240V
Min. operational current AC/DC	100 mA	100 mA	100 mA	100 mA	100 mA	100 mA
Min_operational_voltage AC/DC	20 V	20 V	20 V	20 V	20 V	20 V
Connection	Faston lugs	Faston lugs	Faston lugs	Faston lugs	Faston lugs	Faston lugs

Modulostar[®] CMS27 - UltraSafe[™] US27

For use with 27x60 fuse links. IP20

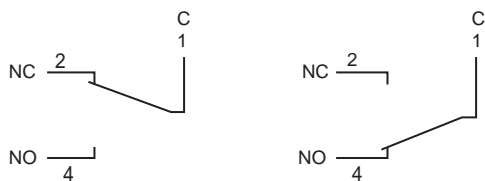
SPECIFIC USAGE CONDITIONS

Ambient temperature	> 20°C	30°C	40°C	50°C	60°C
Derating factor (I_e)	1	0.95	0.9	0.8	0.7

No of poles (side by side)	1 to 3	4 to 6	>= 7
Derating factor of current (I_{th})	1	0.95	0.9

Nominal current of fuse-link gR	100 A	110 A
Max. operational current in fuse-holder	96 A	102 A
Cable wire section	25 mm ²	35 mm ²

Auxiliary Microswitch



ACCESSORIES

Kit for multi-phase connection

Catalog number	Item number	Design	Package	Weight
US27PAK	US27PAK	links for connection of multipole units	10	3 g

Auxiliary Switches

Catalog number	Item number	Design	Package	Weight
US27W1	US27W1	Microswitch kit	1	20 g

Wiring bars / Insulated bus bars

Catalog number	Item number	Design	Package	Weight
RAILDINSY	J213172	35mm Mounting rail symmetric	40	0.36 kg
RAILDINSYPERF	C213672	35mm Mounting rail symmetric drilled 1 pole	40	0.33 kg
RAILDINSYRENFZ	R215203	35mm Mounting rail symmetric reinforced	40	0.67 kg

703, U705, U710

Open style fuse holders for use with 14x51 and 22x58mm fuses

Mersen semiconductor fuse holders feature open face styles. Each version is rated 750 volts and accommodates 14 x 51 mm or 22 x 58 mm fuses. 703, U705 and U710 holders feature Mersen's unique adder-block design which can be snapped onto 1-, 2-, or 3-pole blocks to form multi-pole segmented blocks of as many poles as desired. A choice of box, screw or pressure plate connectors is offered to fit a wide range of standard or solid copper wire. All versions have verified dielectric strengths in excess of 2500V. A patented built-in DIN-rail adapter on the U710 blocks adds further design versatility. All fuse clips are made of high conductivity tin-plated copper with spring reinforced clips.



HIGHLIGHTS:

- Thermoplastic bases
- DIN-rail (U710) or Screw Mount
- Adder block design

RECOMMENDED FOR USE WITH:

- 703 use with 14x51mm A70QS, A70P, URD
- U705 use with 14x51mm A70QS, A70P, URD
- U710 use with 22x58mm A70QS, URD, up to 100A

RATINGS:

- **Volts:** 750V
- **Amps:** 30A (703), 50A (U705), 100A (U710)
- **SCCR:** 200kA dependent on fuse IR

APPLICATIONS:

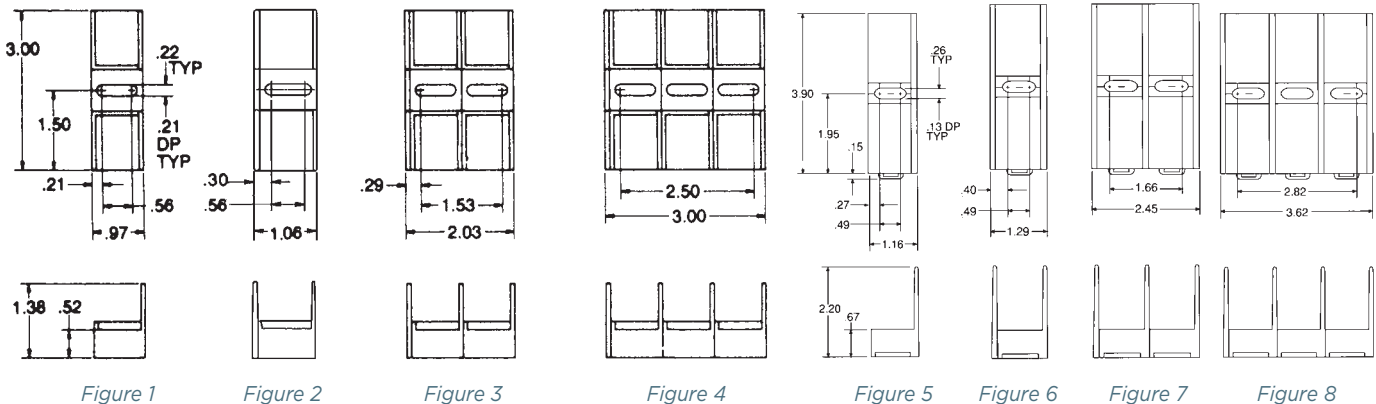
- All circuits up to 750 volts using high speed fuses for protection of small inverters, UPS systems, motor drives, etc.

APPROVALS:

- UL Recognized component guide IZLT2, File E52283
- CSA Certified class 6225, File 32169



DIMENSIONS:



703, U705, U710

Open style fuse holders for use with 14x51 and 22x58mm fuses

750 VOLT FUSE HOLDERS FOR 14 X 51 MM & 22 X 58 MM FUSES:

Catalog No.	Fuse Size	Current Rating I _n (A)	Poles	Connector Type	Wire Range	Figure	Connector Torque (In-Lb)
U70505	14 x 51	50	Adder	Box	Al/Cu #2-14	1	35
U70506			1			2	
U70507			2			3	
U70508			3			4	
70315	14 x 51	30	Adder	Screw	Cu #10-14	1	20
70316			1			2	
70317			2			3	
70318			3			4	
70325	14 x 51	30	Adder	Pressure Plate	Cu #10-14	1	20
70326			1			2	
70327			2			3	
70328			3			4	
70355	14 x 51	30	Adder	Box	Cu* #4-14	1	35
70356			1			2	
70357			2			3	
70358			3			4	
U71005	22 x 58	100	Adder	Box	Al/Cu #2-14	5	35
U71006			1			6	
U71007			2			7	
U71008			3			8	

*Copper box connectors and clips-for copper wires only.

Note: To convert 30A adder pole to single pole, use end barrier #U09322 100A adder pole to single pole, use end barrier #U09372.

Recommended mounting screws; #10 (.190" dia)

Midget

600V Fuse Blocks

Mersen midget fuse blocks accommodate all 30 ampere 1-1/2" x 13/32" midget fuses. A choice of box, screw, or pressure-plate connectors fit a wide range of stranded or solid copper wire. Insulators are glass-filled polycarbonate (GFPC) with verified dielectric strength in excess of 2500V. Fuse blocks feature a unique adder block which can be snapped onto 1-, 2- or 3-pole blocks to form multi-pole segmented blocks of as many poles as desired. All fuse clips are made of high conductivity tin-plated copper alloy.



FEATURES/BENEFITS:

- Thermoplastic bases
- Adder block design

RECOMMENDED FOR USE WITH:

- **Midget Fuse Block** use with ATQ, ATM, A6Y-2B, A25Z-2, TRM, OTM, A15QS-2, GFN, GGU, A60Q-2, DCT

RATINGS:

Midget Block

- **Volts:** 600VAC / DC
- **Amps:** 30A Maximum
- **SCCR:** 100kA (depending on fuse IR); 10kA (when using quick connect terminal)

Temperature/flammability GFPC insulators rated 125°C, 94V-0 flammability.

APPLICATIONS:

- All circuits up to 600 volts using high speed fuses for protection of small inverters, UPS systems, motor drives, etc.

APPROVALS:

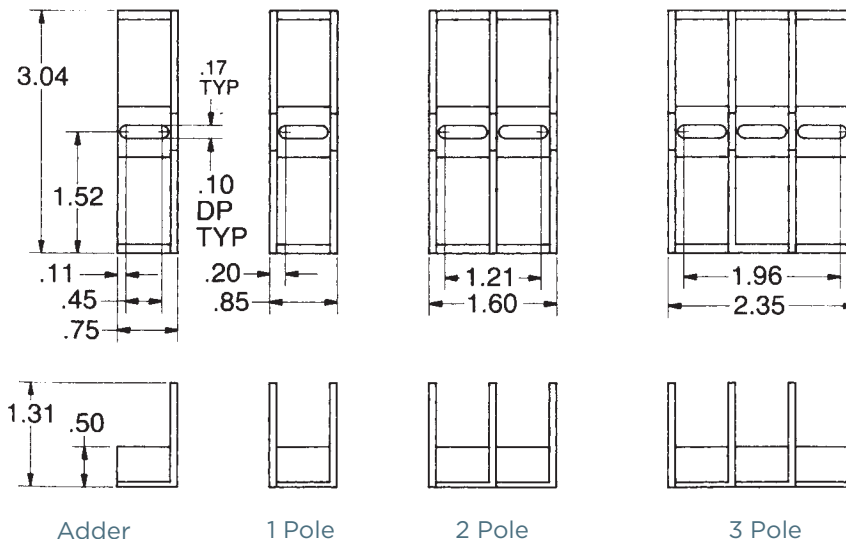
All fuse blocks meet the requirements of UL 4248

Midget Block

- UL Recognized Component guide IZLT2, File E52283
- CSA certified class 6225, File 32169



DIMENSIONS:



Midget

600V Fuse Blocks

600 VOLT, 30A MIDGET FUSE BLOCKS:

Connector		Poles*	Catalog No.	
Type	Wire Range		Midget	Listing
Screw w/ double quick connects at both ends	Cu #10-14	ADDER	30310	UL Rec. & CSA
		1	30311	
		2	30312	
		3	30313	
		4	30314	
Pressure plate (sems) w/double quick connects at both ends	Cu #10-14	ADDER	30320	UL Rec. & CSA
		1	30321	
		2	30322	
		3	30323	
		4	30324	
Copper box	Cu #6-14	ADDER	30350	UL Rec. & CSA
		1	30351	
		2	30352	
		3	30353	
		4	30354	

Note: To convert Midget adder pole to single pole, use end barrier #U09301.





* Available in any number of poles. Replace last digit in Catalog Number with number of poles needed.

Example: 303112 is a 12-pole screw/double QC connector Midget Fuse Block.

Total width of N poles = (N x .76) + .08 inches. 12 poles = (12 x .76") + .08" = 9.20".

Recommended mounting screws for all Midget fuse blocks: #8 (.164" dia.)

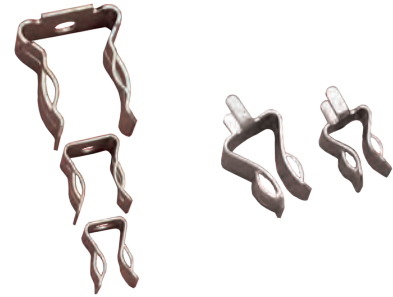
CLIP & CONNECTOR TYPES

30A MIDGET			
COPPER BOX CONNECTOR	SCREW WITH DOUBLE QUICK-CONNECTS	PRESSURE PLATE WITH DOUBLE QUICK-CONNECTS	PRESSURE PLATE WITH DOUBLE QUICK-CONNECTS (CLASS CC REJECTION END)
			

Fuse Clips for UL Cylindrical Fuses

30A & 60A Ø sizes 3/16", 1/4", 13/32" - 5mm, 6.35mm, 10mm

Mersen offers an extensive offer of fuse clips. Clips are made out of spring brass with tin plated finish and match perfectly our selection of fuses. They are designed to mount easily, to save space and provide tight contact. Choose from a wide range of traditional and space-saving fuse blocks, fuse clips and fuse holders.



FEATURES/BENEFITS: RECOMMENDED FOR USE WITH:

- Tin-plated spring brass
 - Easy mounting
 - Space saving
 - Tight contact
 - Non-spring reinforced
- Ferrule Fuses

RATINGS:

- **Volts:** 600V
- **Amps:** 60A Maximum

APPLICATIONS:

- All circuits up to 600 volts using high speed fuses for protection of small inverters, UPS systems, motor drives, etc.

APPROVALS:

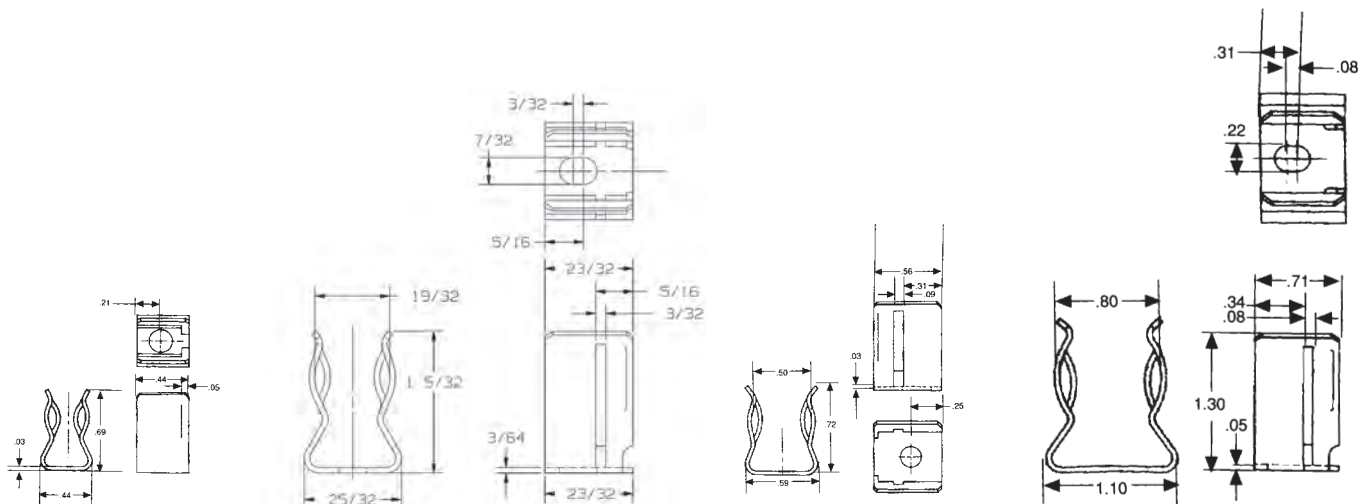
- UL Recognized guide IZLT2, File E52283



DIMENSIONS AND CATALOG NUMBERS:

Cat. No.	For Fuse Rating/Size			Mounting Details	
	Volts	Current Rating I _n (A)	Ferrule Dia.	Hole Size	Screw Size
C08915P	600	30	13/32"	.72 dia.	#8
C08919P	600	30	13/32"	.196 dia.	#10
C08916P	250	30	9/16"	.172 dia.	#8
C08917P	250	60	13/16"	.22 X .30"	#10
	600	30	13/16"	.22 X .30"	#10
C08918P	600	60	1-1/16"	.22 X .30"	#10

All clips are tin-plated copper alloy, non-spring reinforced.



C08915P

C08917P

C08916P

C08918P

C08919P

Dimensions in inches

Fuse Clips for UL Cylindrical Fuses

30A & 60A Ø sizes 3/16", 1/4", 13/32" - 5mm, 6.35mm, 10mm

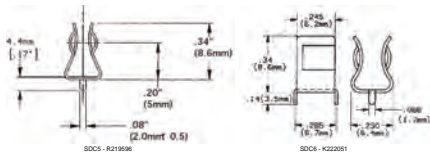
Fuse clips for 30 & 60 amps

Catalog number	Reference number	For fuse rating - size	Mounting details: hole/screw size
C08915P	R215479	30A - 13/32"	.172" dia. - #8
C08916P	V215988	30A - 9/16"	.172" dia. - #8
C08917P	R216491	30A or 60A - 13/16"	.22"x.30" - #10
C08918P	F217010	60A - 13/16"	.22"x.30" - #10
C08919P	P217524	30A - 13/32"	.196" dia. - #10

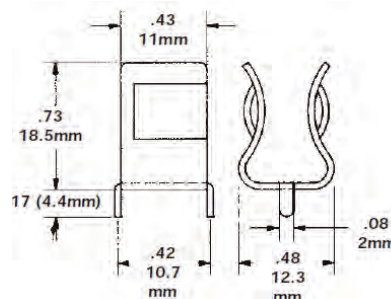
Fuse clips for PC Board

Catalog number	Reference number	For fuse rating - size
SDC5	R219596	10A max - 13/64"
SDC6	K222051	15A max - 1/4"
SDC7	T222795	30A max - 13/32"

DIMENSIONS

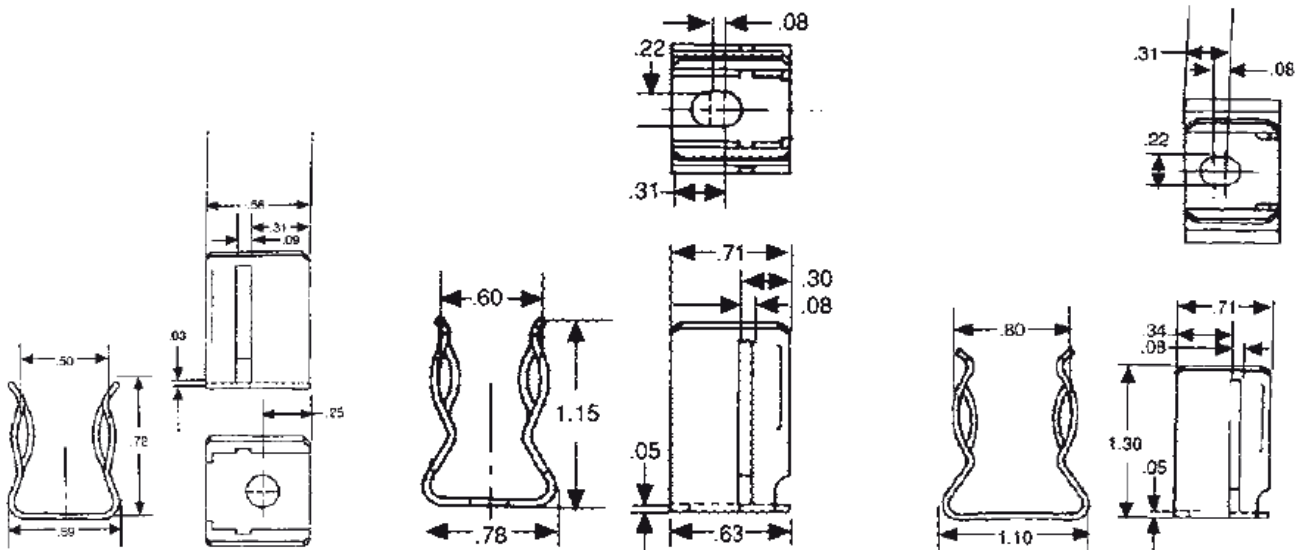


SDC5 - R219596 SDC6 - K222051



SDC7 - T222795

Dimensions in inches (mm)



V215988

R216491

F217010

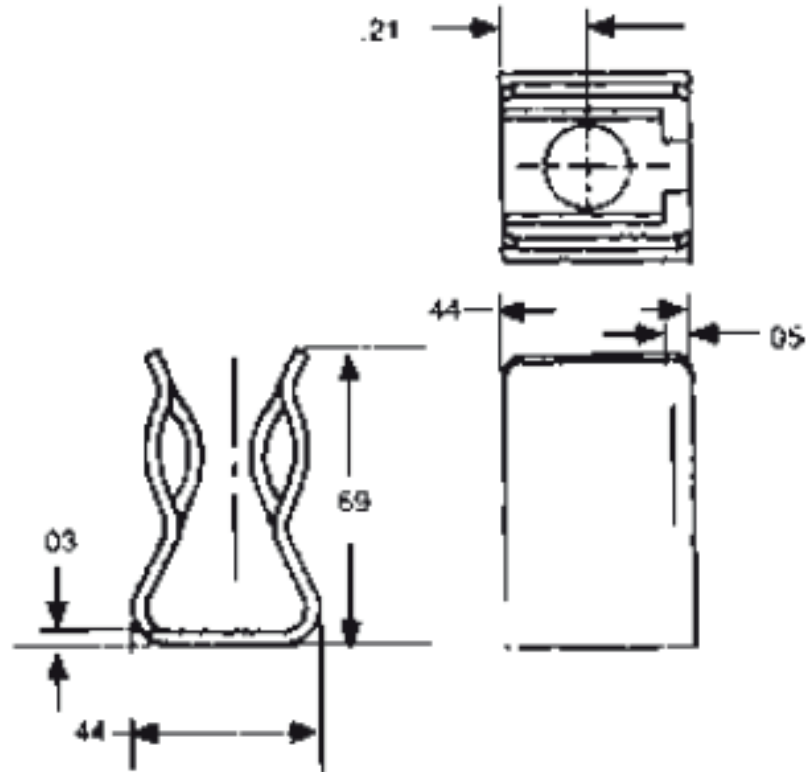
Dimensions in inches

Fuse Clips for UL Cylindrical Fuses

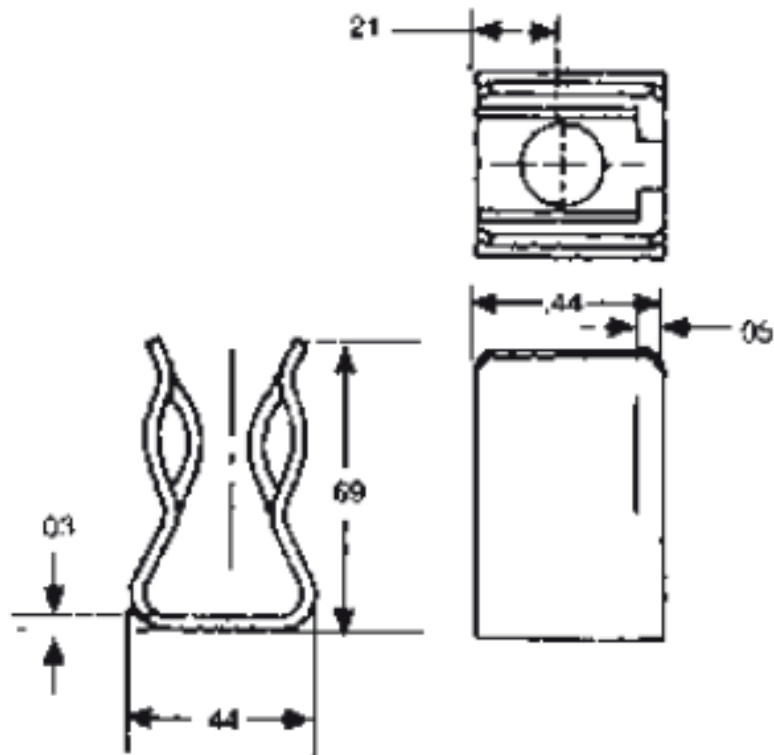
30A & 60A Ø sizes 3/16", 1/4", 13/32" - 5mm, 6.35mm, 10mm

DIMENSIONS

R215479



P217524



Fuse Clips for IEC Cylindrical Fuses

Ø sizes 10, 14, 20, 22, 27, 36, 45, 55

Mersen offers an extensive offer of fuse clips for low voltage and high voltage cylindrical fuses. They match perfectly our selection of fuses. They are designed to mount easily, to save space and provide tight contact. Choose from a wide range of traditional and space-saving fuse blocks, fuse clips and fuse holders.

FEATURES/BENEFITS: RECOMMENDED FOR USE WITH:

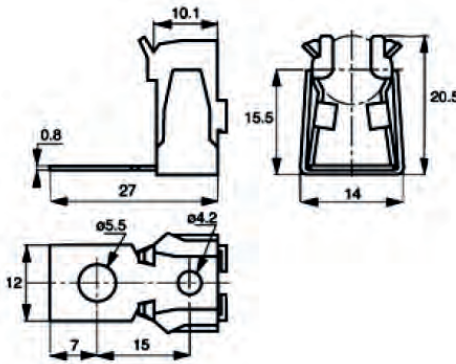
- Silver plated copper clips: extremely high thermal and electric conductivity (except nickel plated copper for MR20)
- Stainless steel pressure springs: highly resistant to salt spray
- Screwing on isolators mounting type
- Screwing on bars or insulated bars mounting type
- Welding on P.C.B. mounting type (MR 10 CI)

- Ferrule Fuses

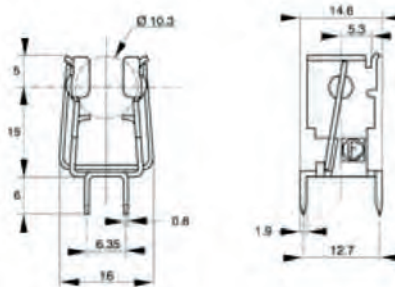


DIMENSIONS

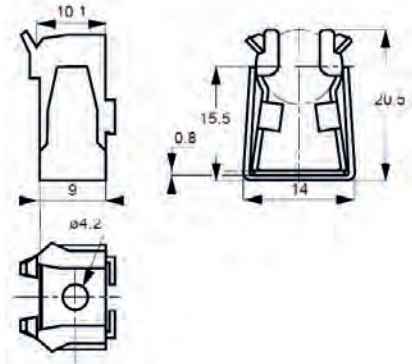
MR10RESSORT



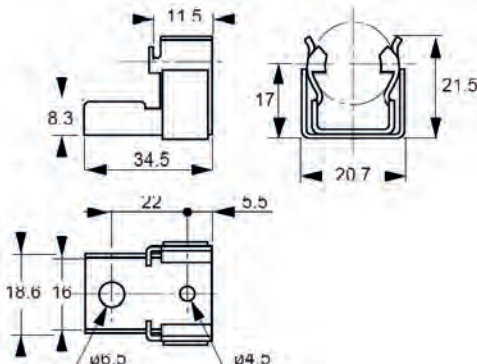
MR10CIRESSORT



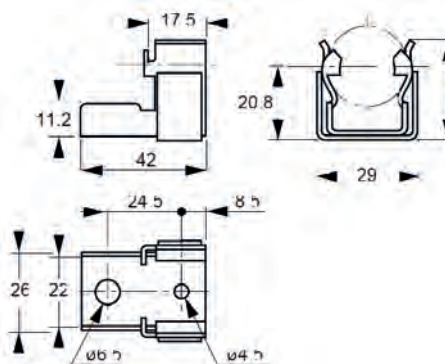
MR10RESSORTSP



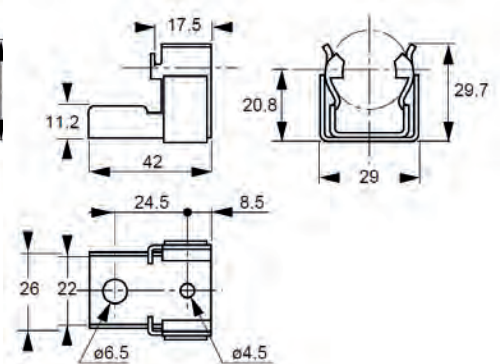
MR14SPRING



MR20.6RESSORT



MR22SPRING



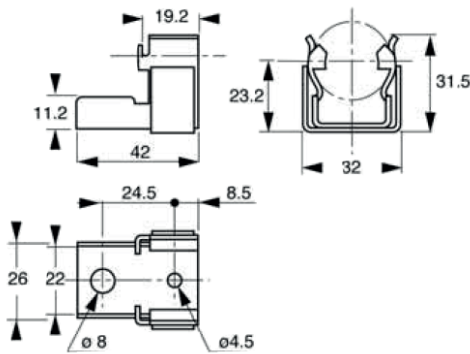
Dimensions in mm

Fuse Clips for IEC Cylindrical Fuses

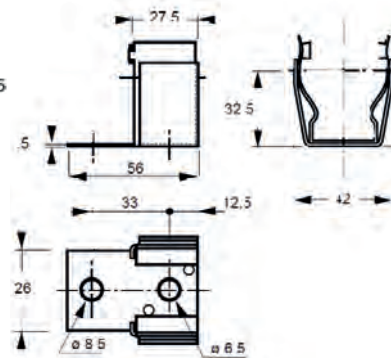
Ø sizes 10, 14, 20, 22, 27, 36, 45, 55

DIMENSIONS

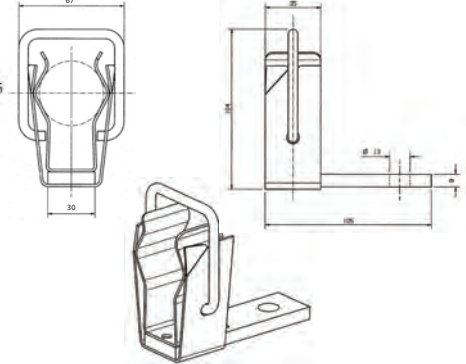
MR27RESSORT



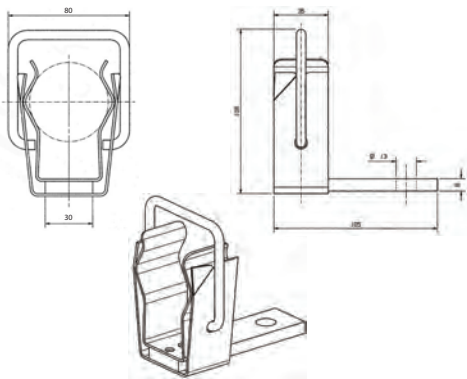
MR36R



MR45

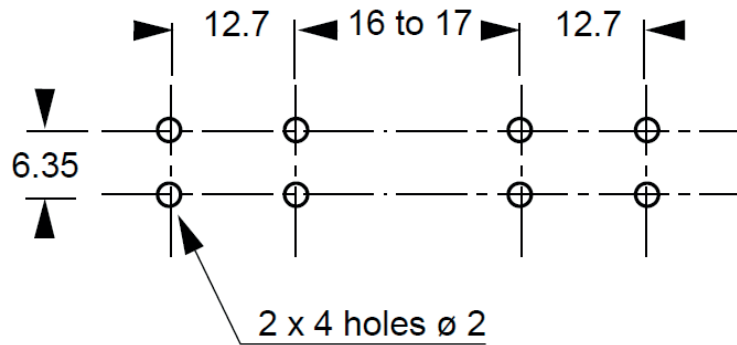


MR55

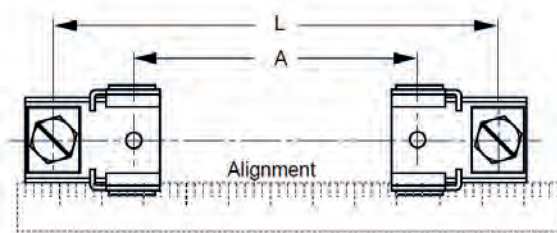


Mounting Instructions

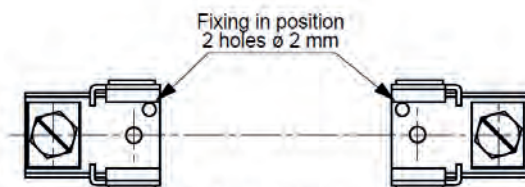
P.C.B. Drilling for MR10 CI clip (10x38 size fuse)



Clip Mounting



Fuse size	A	L
10 x 38	31	61
10 x 180	173	203
36 x 127	100	166
36 x 190	165	231
36 x 250	223	289
45 x 192	228	363
45 x 292	328	463
45 x 367	403	538
45 x 442	478	613
45 x 537	573	708
55 x 259	228	363
55 x 520	489	624



Dimensions in mm

Mounting of two elastic stop pins of 2 mm dia. for fixing clips in position

Fuse Clips for IEC Cylindrical Fuses

Ø sizes 10, 14, 20, 22, 27, 36, 45, 55

MR 10 and MR 10 CI

Catalog number	Item number	Current Rating I_n (A)	Maximum RMS continuous current through IN rated current fuses	Recommended copper cable section	Package	Weight
MR10RESSORT	B098004	32	32 A	6 mm ²	20	7 g
MR10CIRESSORT	Y098507	32	32 A	6 mm ²	1000	4.5 g
MR10RESSORTSP	C098994	32	32 A	6 mm ²	20	5.7 g

MR 14

Catalog number	Item number	Current Rating I_n (A)	Maximum RMS continuous current through IN rated current fuses	Recommended copper cable section	Package	Weight
MR14SPRING	G098170	63	63 A	10 mm ²	10	16 g

MR 20

Catalog number	Item number	Current Rating I_n (A)	Maximum RMS continuous current through IN rated current fuses	Recommended copper cable section	Package	Weight
MR20RESSORT	H099988	125	125 A	35 mm ²	20	40 g

MR 22

Catalog number	Item number	Current Rating I_n (A)	Maximum RMS continuous current through IN rated current fuses	Recommended copper cable section	Package	Weight
MR22SPRING	K098909	135	135 A	35 mm ²	20	40 g

MR 27

Catalog number	Item number	Current Rating I_n (A)	Maximum RMS continuous current through IN rated current fuses	Recommended copper cable section	Package	Weight
MR27RESSORT	Y092734	250	250 A	120 mm ²	20	50 g

MR 36

Catalog number	Item number	Current Rating I_n (A)	Maximum RMS continuous current through IN rated current fuses	Recommended copper cable section	Package	Weight
MR36R	M091275	250	250 A	120 mm ²	1	85 g

MR 45

Catalog number	Item number	Current Rating I_n (A)	Maximum RMS continuous current through IN rated current fuses	Recommended copper cable section	Package	Weight
MR45R	L096472	315	315 A	185 mm ²	1	0.44 kg
MR45SPL	S210236	315	315 A	185 mm ²	1	0.23 kg

MR 55

Catalog number	Item number	Current Rating I_n (A)	Maximum RMS continuous current through IN rated current fuses	Recommended copper cable section	Package	Weight
MR55R	L078969	315	315 A	185 mm ²	1	0.45 kg

AC & DC Square Body Fuse Bases

Bases for PSC ranges: SI TT, SI 000/00, SI DIN

These fuse bases are to be used with blade and bracket-type fuses as per DIN 43653 standard:

- Sizes 000 - 00, 80 mm between axes
- Sizes 0 - 1 - 2 - 3, 80 and 110 mm between axes

FEATURES/BENEFITS: RECOMMENDED FOR USE WITH:

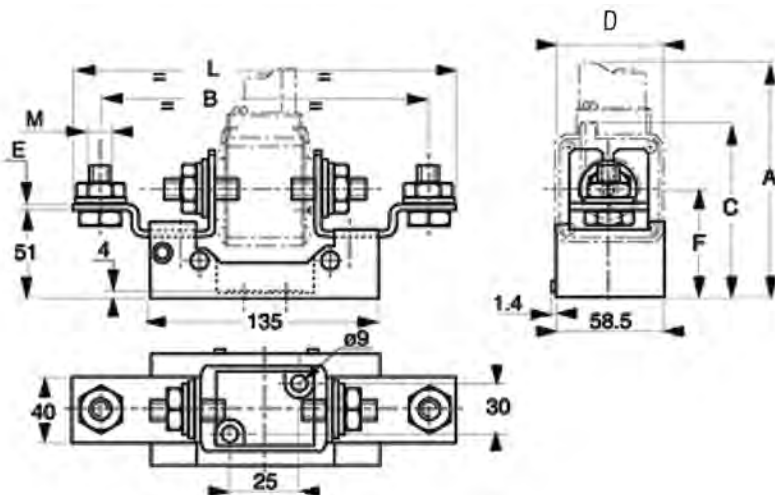
- Mounting in one-pole fuse holder simplifies fuse replacement for installations connected with cable and bars
- Finger safe version available
- For TTF stud-type fuses
- For TTF version, studs are delivered with the fuse holder

DIMENSIONS:

Standard Version SI Fuse Holders: SI TT

Designation	A	B	C	D	E	G	L	M	F	Catalog No.
SI TT 30/31	118(30)	170	83 (30)	42(30)	4	50.6	202	M8	57	
	123(31)		88 (31)	51(31)						
SI TT 70/71	118(70)	193	83 (70)	42(70)	4	74	225	M8	67	
	123(71)		88 (71)	51(71)						
SI TT 32/33	137(32)	170	93 (32)	60(32)	6	50.6	202	M10 (32)	57	
	145(33)		109 (33)	75(33)				M12 (33)		
SI TT 72/73	137(72)	193	93 (72)	60(72)	6	71	225	M10 (32)	67	
	145(73)		109 (73)	75(73)				M12 (33)		

Partition mounting not possible. Panel drilling: 25x30 mm



AC & DC Square Body Fuse Bases

Bases for PSC ranges: SI TT, SI 000/00, SI DIN

DIMENSIONS:

Standard Version SI Fuse Holders: SI 00 DIN 80 and SI 000 DIN 80

Designation	A	B	C	D	E	G	L	Fuse Sizes	Catalog No.
SI 000 DIN 80	100	80	80	19	25	80	100	000-17x49-27x60 DIN 80	
SI 00 DIN 80	133	130			46.5	79	148	00-27x60 DIN 80	

Partition mounting only for SI 00 DIN 80

* Electrical connection of fuse and fuse holder via supplied studs, nuts and washers

Maximum recommended tightening torque: Nm for M8 screws.

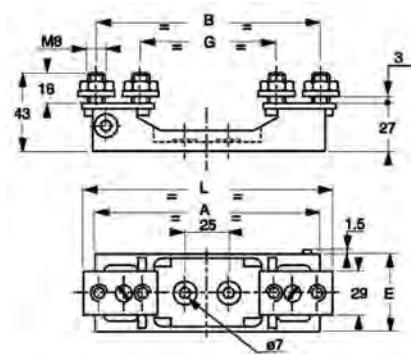
26 Nm for M10 screws.

46 Nm for M12 screws.

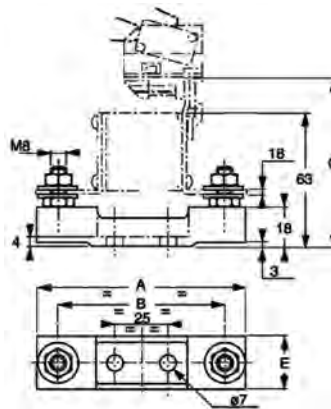
- Fixing of base on plate or bar via screws not supplied.

M6 for SI 000 and SI 00 Tightening torque 7 ± 1.5 Nm. M8 for SI TT Tightening torque 10 ± 2 Nm.

SI 00 DIN 80

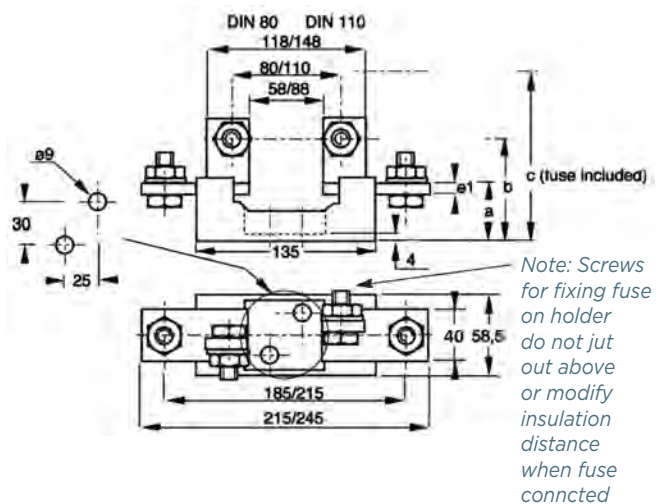


SI 000 DIN 80



Standard Version SI Fuse Holders: SI DIN 80-110

Designation	a	e1	b	c	Fuse Sizes	Catalog No.
SI DIN 80 630	40	5	68	93.5	30 D08	
				99.0	31 D08	
				103.5	32 D08	
				110.3	33 D08	
SI DIN 110 630	40	5	68	93.5	30-70 D11	
				99.0	31-71 D11	
				103.5	32-72 D11	
				110.3	33-73 D11	
SI DIN 80 1 250	45	10	73	98.5	30 D08	
				104	31 D08	
				108.5	32 D08	
				115.3	33 D08	
SI DIN 110 1 250	45	10	73	98.5	30-70 D11	
				104	31-71 D11	
				108.5	32-72 D11	
				115.3	33-73 D11	



Partition mounting impossible

* Electrical connection of fuse and wires by M10x30 screws made in plated steel minimum 8-8 class.

Screws included. Maximum recommended tightening torque: 44 Nm for M10 screw.

- Fixing of base with screws not supplied: M8. Tightening torque 10 ± 2 Nm.

AC & DC Square Body Fuse Bases

Bases for PSC ranges: SI TT, SI 000/00, SI DIN

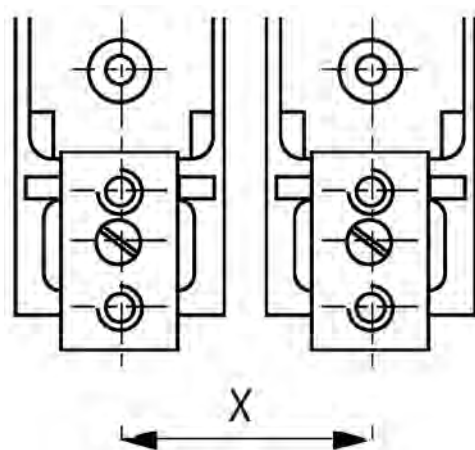
REFERENCE AND CATALOG NUMBERS: Standard Version SI Fuse Holders

Designation	Ref. Number	Weight [g]	Packaging	Catalog Number
SI TT 30/31	B 301232	1 960	1	SITT30/31
SI TT 70/71	C 301233	1 960	1	SITT70/71
SI TT 32/33	D 301234	2 900	1	SITT32/33
SI TT 72/73	E 301235	2 900	1	SITT72/73
SI 000 DIN 80	C 220710	90	12	SI000DN80
SI 00 DIN 80	Q 098040	205	3	SI00DN80
C - CLO*	M 091344	37	2	CLO
SI DIN 80 630	L 098772	625	1	SIDN80630A
SI DIN 110 630	F 098031	625	1	SIDN110630A
SI DIN 80 1250	F 098560	885	1	SIDN801250A
SI DIN 110 1250	L 091941	885	1	SIDN1101250A

* Necessary for SI 00 DIN 80 one-pole mounting.

DISTANCE "X" BETWEEN POLES AXES (WITHOUT PARTITION):

Designation	Fuse Sizes	Operating Voltage U				
		400 V	500 V	690 V	1000 V	1250 V
SI TT 30/31	30-31	58.5	61	65	71	76
SI TT 70/71	70-71					
SI TT 32/33	32-33	79.5	84.5	88.5	94.5	99.5
SI TT 72/73	72-73					
SI 000 DIN 80	000	25	35	39	45	50
SI 00 DIN 80	00	46.5	46.5	46.5	50	55
SI DIN 80 630 630-1250	30-31	58.5	61	65	71	76
	70-71	79.5	84.5	88.5	94.5	99.5
SI DIN 110 630-1250	30-31-70-71	58.5	61	65	71	76
	32-33-72-73	79.5	84.5	88.5	94.5	99.5



Blown Fuse Indicators

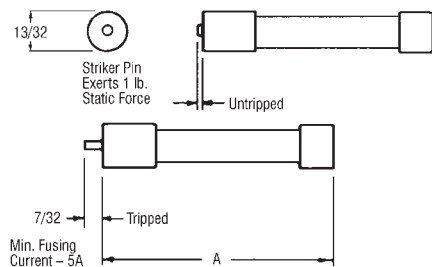
TRIGGER® INDICATOR

The Trigger Indicator (catalog number suffix TI) is available on many blade type fuses, primarily Form 101 high speed fuses and some Class L fuses. The TI allows blown fuses to be identified visually, eliminating the need for resistance or continuity testing.



SHAWMUT TRIGGER®

The Shawmut Trigger Indicator is a field-mountable blown-fuse indicator which is wired in parallel with the fuse to be monitored. The striker pin exerts a static force of one pound and may be used to actuate a switch. It is available in 130 volt (TI-130), 600 volt (TI-600), and 1500 volt (TI-1500) ratings. The TI-600 Trigger is a UL Listed accessory. The Shawmut Trigger is not a fuse and should only be used in parallel with fuses rated 70A or higher. To mount the Trigger, use two midget fuse clips (for 13/32" diameter fuses) found in the Fuse Clip section.

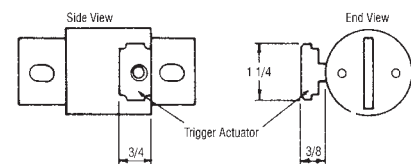


CATALOG NUMBERS

Cat No.	Volts	Length A-In.
TI-130	0-130	2
TI-600	0-600	2
TI-1500	0-1500	3-1/2

TRIGGER® ACTUATOR

The Trigger Actuator (catalog number suffix TA) has two functions and is an option available on many Amp-Trap® fuses. First, it provides visual indication of an open fuse and second, it provides a mount for an Add-On-Switch (AOS-) which can indicate a blown fuse via a signal light or initiate appropriate control action. The Trigger Actuator has no measurable I²t or arc voltage effect on fuses rated 65A or higher. It will add 2 to 5 amperes of long term rating and requires a minimum circuit voltage of 5 to 10 volts to activate.



Blown Fuse Indicators

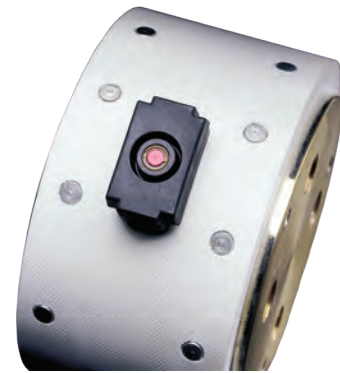
ADD-ON SWITCH

Add-On-Switches contain one single-pole double-throw contact rated 4 amperes resistive and 1 ampere inductive at 250V AC maximum. Two versions of the Add-On-Switch are available. Catalog number AOS-S has screw terminals. Catalog number AOS-Q accommodates push-on connectors.



IL INDICATOR

The "IL" indicator, developed from proven designs, provides a blown fuse indication system which does not sacrifice the excellent I^2t characteristics of Mersen fuses. Its low voltage design requires just 0.9 volts to activate the indicator, thus insuring reliable fuse performance under all conditions. The red pop up button is located in the center of the fuse body for ease of visibility and optimum voltage isolation. Interference with busbar and cable connection is significantly less than other designs. The addition of the "IL" indicator provides blown fuse indication on virtually all Mersen fuses. Optional auxiliary microswitches for remote signaling are also available for use with the "IL" indicator.



FEATURES/BENEFITS:

- Visual indication or remote signaling
- Optional auxiliary microswitches
- Same size for all fuses
- Retains optimum performance
- Operation at all times above 0.9 volts

HIGHLIGHTS:

- Low voltage design
- Center location
- Rugged construction
- Proven reliability
- AC or DC

For blown fuse indication on general purpose fuses, please consult factory.

APPROVALS:

- UL Recognized



Square Body Fuse Microswitches and Studs

Microswitch systems adapted to the following fuses:

- PSC sizes 30, 31, 32, 33 / 70, 71, 72, 73
- Blade-type PSC (PA) sizes 0-1, 2-3 / 70, 71, 72, 73
- PSC sizes 000 / 00



MS 3V FUSE SIZES: 30 - 33

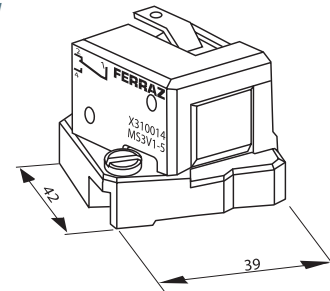
Fuse Size	Description	Ref. No.	Indication Style	Weight (g)
30, 31 32, 33	MS 3V 1-5 (fig.1)	X310014	Standard NO-NC	34
	MS 3V 1-5 BS (3)	W310013	Low Level NO-NC	34
	MS 3V 1-9 BS (4)	T310011	Low Level NO-NC	44
	MS 3V 1-5 ET (fig.3)	R310009	Low Level NO-NC	34

(3) Same as fig. 1

(4) Same dimensions as fig. 1 but with 2 microswitches side by side

(9) Watertightness class

Fig. 1



MS 7V1 FUSE SIZES: 70 - 73

Fuse Size	Description	Ref. No.	Indication Style	Weight (g)
70, 71 72, 73	MS 7V 1-5 (fig.4)	J310002	Standard NO-NC	45
	MS 7V 1-5 BS (?)	K310003	Low level NO-NC	45
	MS 7V 1-9 BS (8)	P310007	Double pole NO-NC Low level	55
	MS 7V 1-5 ET (fig.5)	S310010	Low level NO-NC	55

(7) Same as fig. 4

(8) Same dimensions as fig. 4 but with 2 microswitches side by side

(9) Watertightness class

Attention: Microswitch systems exclusively designed for Mersen PSC fuses are fitted with a patented trip-indicator, saving the use of an EDV.

Fig. 2

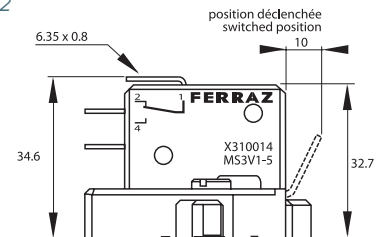
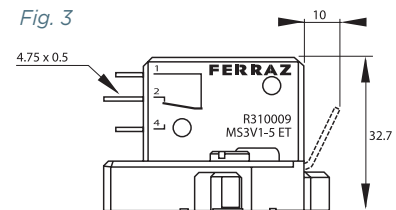


Fig. 3



STANDARD THREADED STUDS

Size	Reference No. Per Pair	Ref. and Dimension Per Pair of Studs	Weight (g)	Max Stud Mounting Torque (Nm)*	Max Nut Tightening Torque (Nm)*		
					Fig. 1	Fig. 2	Fig. 3
70 & 71	S098801	HC M8 X 30 & M 8 X 35	23	13	13.5	13.5	13.5
72	T098802	HC M 10 X 30 & M 10 X 50	40	15	26	26	26
73	V098803	HC M 12 X 35 & M 12 X 50	60		46	46	15
2X72	W098804	HC M 10 X 50	50		26	26	26
2X73	X098805	HC M 12 X 50	70		46	46	15

Packaging: 6 pairs

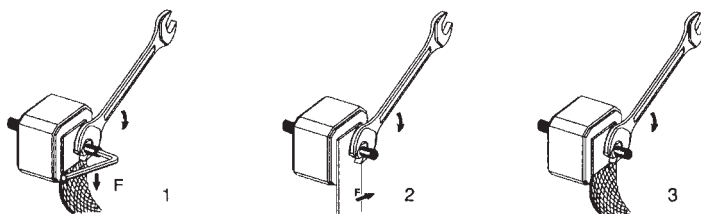


Fig. 4

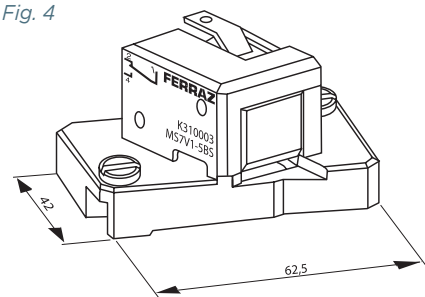
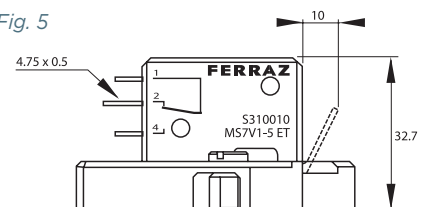


Fig. 5



Protistor® Fuse Microswitches

Microswitch systems for round and square-body fuses (not for PSC fuses)

The Protistor fuse microswitch is a remote signaling system designed to fit on round and square body Protistor fuses (not for PSC fuses) that are equipped with microswitch support. It indicates fuse status and has a manual reset feature.

FEATURES/BENEFITS:

- Remote signaling systems for fitting on Mersen fuses equipped with microswitch support
- Indication of fuse status
- Manual reset
- Standard and low current models with different insulation ratings
- Watertight types for use in corrosive atmospheres

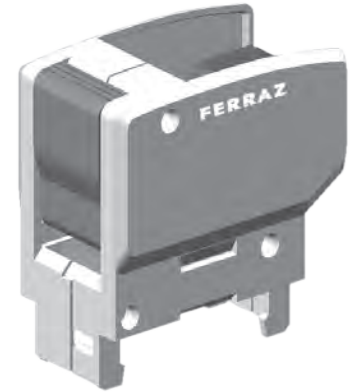
NOTE (2): The 26.4 dimension is the same with 1 or 2 separated circuits NO-NC.
Tests with sine vibrations carried out at ambient with scanning of the three main holder axes.

Spectrum: 1st segment (2 to 16 Hz) constant trip $x = 5 \text{ mm peak}$.

2nd segment (16 to 250 Hz) constant acceleration $y + 5 \text{ g peak}$

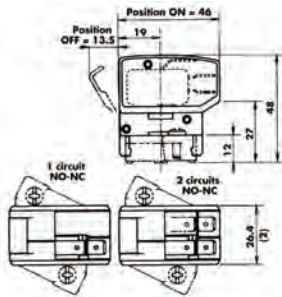
Exponential scanning speed: 1 octave per min.

Duration: 2 hours per axis.



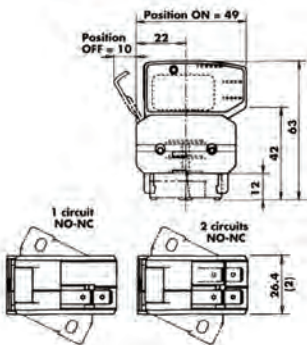
DIMENSIONS:

Remote Signaling with 1250VAC/DC Insulation Voltage



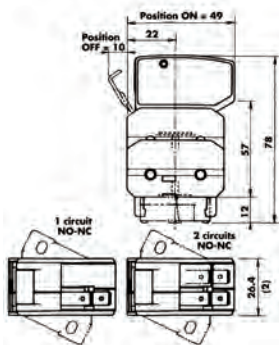
Quantity of NO-NC separated circuits	Contact	Catalog Number	Ref. Number	Weight [g]	Pack. [1]
1	standard	MC3E 1-5N	D310020	39.5	3
1	low level	MC3E 1-5NBS	E310021	39.5	3
2	low level	MC3E 1-9NBS	F310022	45.7	3
1	watertight	MC3E 1-5NET	L310027	40.2	3

Remote Signaling with Insulation Voltage up to 2200VAC/DC



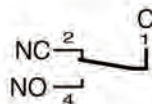
Quantity of NO-NC separated circuits	Contact	Catalog Number	Ref. Number	Weight [g]	Pack. [1]
1	standard	MCR3E 1-5N	G310023	51.7	1
1	low level	MCR3E 1-5NBS	P310030	51.7	1
2	low level	MCR3E 1-9NBS	H310024	58.0	1
1	watertight	MCR3E 1-5NET	Q310031	52.5	1

Remote Signaling with Insulation Voltage up to 6000VAC/DC

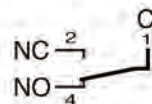


Quantity of NO-NC separated circuits	Contact	Catalog Number	Ref. Number	Weight [g]	Pack. [1]
1	low level	MC2R3E 1-5NBS	J310025	64.0	1
1	watertight	MC2R3E 1-5NET	N310029	64.8	1
2	low level	MC2R3E 1-9NBS	K310026	70.3	1

Electrical diagram of each microswitch circuit



Non-blown fuse
Microswitch ON



Blown fuse
Microswitch OFF

All of these signaling systems are resettable and fitted with silver-plated 3-terminal microswitch C, NO and NC. The C terminal is on the top and connection is made via 6.35 mm clips except for watertight models whose clips are 4.8 mm wide



MERSEN IS A GLOBAL EXPERT
IN ELECTRICAL POWER AND
ADVANCED MATERIALS

NORTH AMERICA

USA
Mersen USA
Newburyport-MA, LLC
374 Merrimac Street
Newburyport, MA 01950
T : 978 462 6662

EUROPE

FRANCE
Mersen France SB S.A.S.
15 rue Jacques de Vaucanson
F-69720 Saint-Bonnet-de-Mure
T : +33 4 72 22 66 11

ASIA

CHINA
Mersen Shanghai
No.55-A6. Shu Shan Road
Songjiang 201611 Shanghai
T : +86 21 6760 2388



EP.MERSEN.COM