



Your problem: You need a range of standard fuse blocks to meet industrial requirements. You need DIN-rail mounting fuse holders that save space and conform with today's "Finger-safe" IEC standards. You need panel-mount fuse holders, blocks that safely handle stress on conductors, accessories to make pulling fuses safer.

Our solution: Mersen's extensive line of fuses is matched by our line of fuseblocks. Need a durable Class H, K, or R block? We've got configurations that accept nearly all 250 and 600V power fuses. How about Class CC or Class J IEC-style holders? Turn to our popular UltraSafe™ models for the small footprints, blown-fuse indicators, and finger-safe changeouts you want. The same goes for traditional Class J blocks, space-saving "SJ" blocks, 600V Class CC and midget dimension holders, and a dozen other fuse holder solutions.

Want more information fast? For more technical or application-specific information, please call our Fuse Block experts at 978-248-8914 or visit our website at mersen.com.

Fuse Blocks & Holders

**YOU NAME THE BLOCK,
WE'VE GOT IT IN STOCK**

UltraSafe™

- USCC & USM.....FB 2
- USBB Bus Bar FB 6
- USGCC & USGM..... FB 8
- USFMFB 12
- US3J & US6J.....FB 14
- US14 & US22.....FB 16

Open Style

- Class J Gen2..... FB 20
- Class J FB 24
- Midget/Class CC FB 26
- Class H, K & R..... FB 28
- Class T FB 35
- Class G..... FB 40
- FEB/FEC/FEX/FEY..... FB 42

Photovoltaic

- HP15FHP80..... FB 46
- HPJ Class J FB 48
- HP15FHM32 & US15M1HEL. FB 50
- HPBB 1000V DC Size NH.. FB 53

Medium Voltage

- Type EK 9F61 Series Fuse Holders and Clips ... FB 54
- Type EK 9F651 Accessories and Spare Parts FB 62

Semiconductor

- P-Block FB 67
- 1SC/1MSC Modular FB 68
- 703, U705, U710 Series ... FB 71
- PS20x127 Ferrule FB 73

Miniature/Panel Mount

- Miniature Fuse Blocks. FB 75
- GPM Series Panel Mount .. FB 76

Covers/Clips

- DFC Dead Front Fuse Covers FB 82
- DFC3M/DFC3LP/DRM Fuse Block Accessories ... FB 84
- Ferrule Fuse Clips/PC BoardMount Fuse Clips .FB 85



UltraSafe™ USCC - Class CC Fuse Holders

FUSE BLOCKS & HOLDERS

ULTRASAFE MODULAR FUSE HOLDERS FOR CLASS CC FUSES



Mersen USCC Series UltraSafe Modular Fuse holders introduce a new level of safety for Class CC 1-1/2" x 13/32" AC and DC-rated fuses up to 30 amperes. UltraSafe holders qualify as "Finger-safe" under IEC and DIN standards to an IP20 grade of protection, including fuse changing (with the flick of a finger). UltraSafe holders are available in 1, 2, 3 or 4 poles, with or without visual blown-fuse indicators in each pole. Multi-pole units can also be field assembled by ordering pin-tie handles.

UltraSafe holders save up to 15% mounting space and any combination can be snapped onto 35mm DIN-rail for extra savings in panel building time. UltraSafe holders with Class CC fuses chosen for Type "2" No Damage protection give one of the safest protection packages in the industry. UltraSafe body material is tough and durable polyamide, with exceptional insulating properties.

APPLICATIONS:

- All circuits up to 600 volts for motors, control circuits, transformers, etc.
- DC circuits up to 1000VDC including photovoltaic applications
- Non-load disconnect

RECOMMENDED FUSE USAGE:

- **USCC use with:** ATDR, ATMR*, ATQR

** Recommended for DC applications*

RATINGS:

USCC (Class CC Fuses)

- Volts: 600VAC/DC Maximum
- Amps: 30A Maximum
- SCCR: 200kA

*Min. voltage to operate indicator light:
90VAC, 115VDC [Less than 0.7 mA leakage
current at 600V]*

HIGHLIGHTS:

- IP20 Finger-Safe (touch safe)
- Optional visual blown fuse Indicator lights
- DIN-rail mounting
- Compact footprint
- Quick, tool-free, easy fuse change outs

APPROVALS:

USCC:

- UL Listed to Standard 4248-4, File E52283
- CSA File No. 032169, Class 6225-01
- IEC 60269-2-1 and 60947-3 Compliant



ADDITIONAL SPECIFICATIONS:

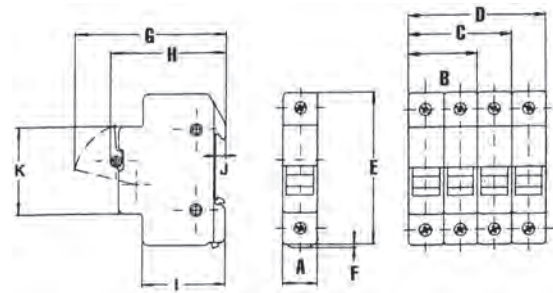
- **Terminal screws:** Phillips/slot head
- **Suggested screw torque:** 14.75 in-lbs.
- **Wire range:** #14 to 6 AWG (2.5 to 16mm²) single conductor; #14 to 10 AWG (2.5 to 5.0 mm²) dual conductor
- **Wire type:** 60/75/90°C solid/stranded copper
- **Connector type:** Pressure plate
- **Load-break disconnect:** No
- **Environmental:** RoHS compliant, lead free
- **Operating temperature:** -40° to 85°C
- **Watts loss:** 3W or less
- **Flammability rating:** UL 94-V0
- **Optional Blown Fuse Indicator Lens Color:** Red

CATALOG NUMBERS:

| Fuse Type | Ampere Rating | Voltage Rating | | Visual Indication | No. of Poles | Catalog Number |
|-----------|---------------|----------------|-----|-------------------|--------------|----------------|
| | | AC | DC | | | |
| Class CC | 30 | 600 | 600 | No | 1 | USCC1 |
| | 30 | 600 | 600 | No | 2 | USCC2 |
| | 30 | 600 | 600 | No | 3 | USCC3 |
| | 30 | 600 | 600 | No | 4 | USCC4 |
| | 30 | 600 | 600 | No | 3+N | USCC3N |
| | 30 | 600 | 600 | Yes | 1 | USCC1I |
| | 30 | 600 | 600 | Yes | 2 | USCC2I |
| | 30 | 600 | 600 | Yes | 3 | USCC3I |
| | 30 | 600 | 600 | Yes | 4 | USCC4I |
| | 30 | 600 | 600 | Yes | 3+N | USCC3IN |
| | 30 | 120 | - | Yes | 1 | USCC1I-AC120 |
| | 30 | 300 | - | Yes | 1 | USCC1I-AC300 |
| | 30 | - | - | Yes | 1 | USCC1I-DC24 |

DIMENSIONS

| Dimension | mm | In | Dimension | mm | In |
|-----------|------|------|-----------|------|------|
| A | 17.5 | 0.69 | G | 78.0 | 3.07 |
| B | 35.0 | 1.38 | H | 59.0 | 2.32 |
| C | 52.5 | 2.07 | I | 42.5 | 1.67 |
| D | 70.0 | 2.76 | J | 5.0 | 0.20 |
| E | 78.0 | 3.07 | K | 45.0 | 1.77 |
| F | 2.5 | 0.10 | | | |



CATALOG NUMBERS—ACCESSORIES:

| Accessories Catalog No. | Description |
|-------------------------|-----------------------------------|
| USN | 1-Pole with Integral Neutral Link |
| USPTH | Pin-tie Accessory for 12-Poles |



USPTH Pin-Tie Accessory



UltraSafe fuse holder with USPTH Pin-Ties

© 2025 Mersen. All rights reserved. Mersen reserves the right to change, update, or correct, without notice, any information contained in this datasheet.

UltraSafe™ USM - Midget Fuse Holders

FUSE BLOCKS & HOLDERS

ULTRASAFE MODULAR FUSE HOLDERS FOR MIDGET FUSES



Mersen USM Series UltraSafe Modular Fuse holders introduce a new level of safety for Midget 1-1/2" x 13/32" AC and DC-rated fuses up to 30 amperes. UltraSafe holders qualify as "Finger-safe" under IEC and DIN standards to an IP20 grade of protection, including fuse changing (with the flick of a finger). UltraSafe holders are available in 1, 2, 3 or 4 poles, with or without visual blown-fuse indicators in each pole. Multi-pole units can also be field assembled by ordering pin-tie handles.

UltraSafe holders save up to 15% mounting space and any combination can be snapped onto 35mm DIN-rail for extra savings in panel building time. UltraSafe body material is tough and durable polyamide, with exceptional insulating properties.

APPLICATIONS:

- All circuits up to 600 volts for motors, control circuits, transformers, etc.
- DC circuits up to 1000VDC including photovoltaic applications
- Non-load disconnect

RECOMMENDED FUSE USAGE:

- **USM use with:** ATQ, ATM*, A6Y-2B, A25Z-2, TRM, OTM, A13X-2, A60Q-2, DCT*, HP6M**, HP10M**

* Recommended for DC applications

** Recommended for PV applications

RATINGS:

USM (Midget 10x38mm Fuses)

- Volts: 800VAC Maximum, 1000VDC Maximum
- Amps: 30A Maximum
- SCCR: 200kA AC, 100kA DC

Min. voltage to operate indicator light: 90VAC, 115VDC [Less than 0.7 mA leakage current at 600V]

USM1IHEL minimum indicator operating voltage: 350VDC

HIGHLIGHTS:

- IP20 Finger-Safe (touch safe)
- Optional visual blown fuse Indicator lights
- DIN-rail mounting
- Compact footprint
- Quick, tool-free, easy fuse change outs

APPROVALS:

USM:

- UL Recognized to Standard 4248-1, File E52283
- CSA File No. 032169, Class 6225-01
- IEC 60269-2-1 and 60947-3 Compliant



USM-HEL:

- UL Listed to Standard 4248-19 (PV), File E347822
- CSA Component File No. 032169, Class 6225-30



ADDITIONAL SPECIFICATIONS:

- **Terminal screws:** Phillips/slot head
- **Suggested screw torque:** 14.75 in-lbs.
- **Wire range:** #14 to 6 AWG (2.5 to 16mm²) single conductor; #14 to 10 AWG (2.5 to 5.0 mm²) dual conductor
- **Wire type:** 60/75/90°C solid/stranded copper
- **Connector type:** Pressure plate
- **Load-break disconnect:** No
- **Environmental:** RoHS compliant, lead free
- **Operating temperature:** -40° to 85°C
- **Watts loss:** 3W or less
- **Flammability rating:** UL 94-V0
- **Optional Blown Fuse Indicator Lens Color:** Red

CATALOG NUMBERS:

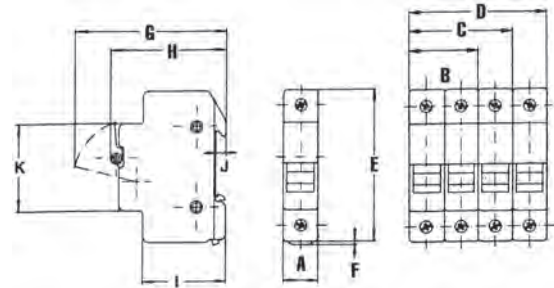
| Fuse Type | Ampere Rating | Voltage Rating | | Visual Indication | No. of Poles | Catalog Number |
|--|------------------------|----------------|------|-------------------|--------------|----------------|
| | | AC | DC | | | |
| Midget (10 x 38mm) (1-1/2" x 13/32") | 30 | 800 | 1000 | No | 1 | USM1 |
| | 30 | 800 | 1000 | No | 2 | USM2 |
| | 30 | 800 | 1000 | No | 3 | USM3 |
| | 30 | 800 | 1000 | No | 4 | USM4 |
| | 30 | 800 | 1000 | No | 3+N | USM3N |
| | 30 | 600 | 600 | Yes | 1 | USM1I |
| | 30 | 600 | 600 | Yes | 2 | USM2I |
| | 30 | 600 | 600 | Yes | 3 | USM3I |
| | 30 | 600 | 600 | Yes | 4 | USM4I |
| | 30 | 600 | 600 | Yes | 3+N | USM3IN |
| | 30 | 120 | - | Yes | 1 | USM1I-AC120 |
| | 30 | - | 24 | Yes | 1 | USM1I-DC24 |
| | Photovoltaic Midget | 32 | - | 1000 | No | 1 |
| 32 | | - | 1000 | Yes | 1 | USM1IHEL |

IEC Ratings for USM: 690VAC / 1000VDC, 32A, 50kA SCCR

CSA Ratings for USM: 750VAC / 1000VDC, 30A

DIMENSIONS

| Dimension | mm | In | Dimension | mm | In |
|-----------|------|------|-----------|------|------|
| A | 17.5 | 0.69 | G | 78.0 | 3.07 |
| B | 35.0 | 1.38 | H | 59.0 | 2.32 |
| C | 52.5 | 2.07 | I | 42.5 | 1.67 |
| D | 70.0 | 2.76 | J | 5.0 | 0.20 |
| E | 78.0 | 3.07 | K | 45.0 | 1.77 |
| F | 2.5 | 0.10 | | | |



CATALOG NUMBERS—ACCESSORIES:

| Accessories Catalog No. | Description |
|-------------------------|-----------------------------------|
| USN | 1-Pole with Integral Neutral Link |
| USPTH | Pin-tie Accessory for 12-Poles |



USPTH Pin-Tie Accessory



USM1 with USPTH Pin-Ties

© 2025 Mersen. All rights reserved. Mersen reserves the right to change, update, or correct, without notice, any information contained in this datasheet.

USBB

UltraSafe™ Bus Bar System

FUSE BLOCKS & HOLDERS

BUS BAR SYSTEMS FOR USE WITH ULTRASAFE CLASS CC (USCC) AND MIDGET (USM) FUSE HOLDERS



Mersen USBB UltraSafe bus bar systems are intended for use with UltraSafe Class CC (**USCC**) and Midget (**USM**) fuse holders. The USBB delivers safe and reliable combination of circuits in a compact design. Bus bar systems reduce installation time when compared to wire solutions, offer space savings and deliver touch-safe, shock resistant solutions to panel builders and designers. 1-, 2-, and 3-phase designs available.

CATALOG NUMBERS

| BUS BAR (1-, 2-, AND 3-PHASE) | | | | | |
|-------------------------------|-------|-------|-------------------|--------|----------|
| Catalog No. | Phase | Poles | Cross Section | Pitch | Material |
| USBB1PH25K4 | 1 | 4 | 25mm ² | 17.8mm | Copper |
| USBB1PH25K6 | | 6 | | | |
| USBB1PH25K8 | | 8 | | | |
| USBB1PH25K12 | | 12 | | | |
| USBB2PH25K4 | 2 | 4 | 25mm ² | 17.8mm | Copper |
| USBB2PH25K6 | | 6 | | | |
| USBB2PH25K8 | | 8 | | | |
| USBB2PH25K10 | | 10 | | | |
| USBB3PH25K6 | 3 | 6 | 25mm ² | 17.8mm | Copper |
| USBB3PH25K9 | | 9 | | | |
| USBB3PH25K12 | | 12 | | | |
| USBB3PH25K15 | | 15 | | | |

| FEEDER TERMINAL | | | |
|-----------------|--------------|-----------|----------|
| Catalog No. | Wire Range | Wire Type | Torque |
| USBBC1 | 10 - 1/0 AWG | 60°C Cu | 50 lb-in |
| USBBESB1** | 14 - 1 AWG | 75°C Cu | 35 lb-in |

** Requires dedicated space on bus bar

| PROTECTIVE COVER | |
|------------------|--------------|
| Catalog No. | Qty per Unit |
| USBBPC | 5 |
| END CAPS | |
| Catalog No. | Qty per Unit |
| USBB1PHEC | 1 set* |
| USBB23PHEC | 1 pc |

* 50 pc. minimum order quantity

RATINGS:

USBB Bus Bar

- **Volts:** 600VAC, 1000VDC
- **Amps:** 100A (End Feed), 200A (Center Feed)
- **SCCR:** 100kA (with Class J fuse, maximum 200A)

USBB Feeder Terminal

- **Volts:** 600VAC, 1000VDC
- **Amps:** 115A Maximum
- **SCCR:** 100kA (with Class J fuse, maximum 200A)

HIGHLIGHTS:

- Decrease installation time compared to wire solutions
- Save panel space with compact design and footprint
- Reduce shock hazards with touch-safe cover (included)
- Environmentally conscious, RoHS compliant and lead free
- Cuttable design offers flexibility

APPLICATIONS:

- UL 508 panels
- Solar string combiner boxes
- Control panels
- Power distribution panels

APPROVALS:

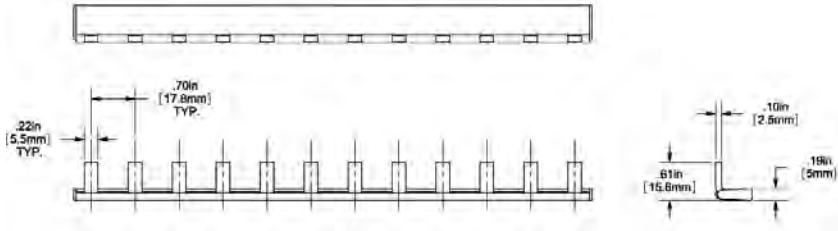
- UL Listed to Standard 508, File E348854
- IEC Compliant



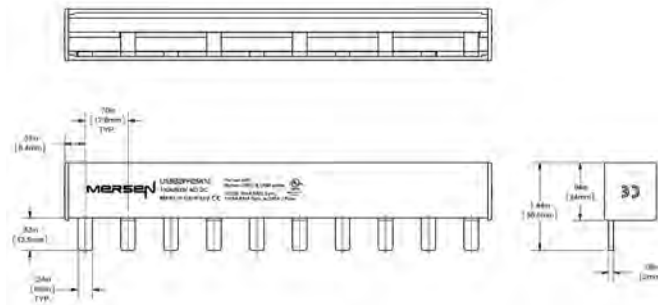
© 2025 Mersen. All rights reserved. Mersen reserves the right to change, update, or correct, without notice, any information contained in this datasheet.

DIMENSIONS

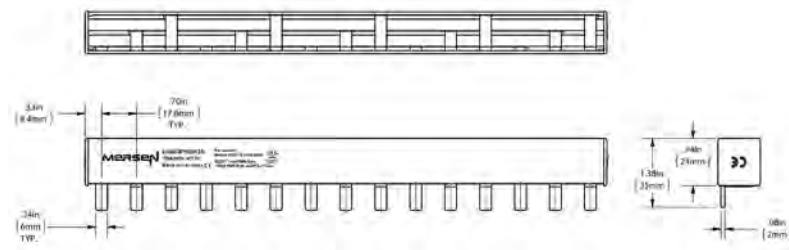
1-PHASE BUS BAR - USBB1PH25K(4,6,8,12)



2-PHASE BUS BAR - USBB2PH25K(4,6,8,10)



3-PHASE BUS BAR - USBB3PH25K(6,9,12,15)



| | | | | |
|----------------------|-------------------------|---------------------|-------------------------|--------------------------|
| <p>USBBC1</p> | <p>USBESB1**</p> | <p>USBBC</p> | <p>USBB1PHEC</p> | <p>USBB23PHEC</p> |
|----------------------|-------------------------|---------------------|-------------------------|--------------------------|

** Requires dedicated space on bus bar

© 2025 Mersen. All rights reserved. Mersen reserves the right to change, update, or correct, without notice, any information contained in this datasheet.

UltraSafe™ USGCC - Class CC Fuse Holders

FUSE BLOCKS & HOLDERS

INNOVATIVE ULTRASAFE CLASS CC FUSE HOLDERS WITH SCREW-LESS,
SPRING PRESSURE, WIRE TERMINATION TECHNOLOGY



Mersen's USGCC series fuse holders deliver the ultimate ease-of-use, time (labor) saving and reliable solution available in the marketplace. Mersen is the first manufacturer to offer screw-less, spring pressure, wire termination technology into a power fuse holder, delivering the best of both technologies to its customers. Now you can experience the combined benefits of safety, ease-of-use, labor savings and reliability of UltraSafe fuse holders and spring pressure technology.

HIGHLIGHTS:

- Equipped with industry proven, patented WAGO CAGE CLAMP® technology (over 25 years of field experience and acceptance)
- Reduce wire installation time by up to 75%
- Highly reliable, maintenance free wire contact
- Secure, vibration proof, corrosion resistant, temperature cycling resistant, cost saving wire connection
- Quick, tool-free, easy fuse change-outs
- IP20 finger-safe protection
- Option visual blown fuse indicator
- DIN-rail mounting
- Compact footprint
- Environmentally conscious, RoHS compliant and lead free

RECOMMENDED FUSE USAGE:

- **USGCC** use with Class CC Fuses: ATDR, ATQR, ATMR

RATINGS:

USGCC (Class CC Fuses)

- Volts: 600VAC/DC maximum
- Amps: 30A maximum
- SCCR: 200kA

*Min voltage to operate indicator light:
90VAC, 115VDC [Less than 0.7 mA leakage
current at 600V]*

APPLICATIONS:

- All circuits up to 750VAC / 1000VDC for power control, power distribution and power electronics
- Non-load disconnect

APPROVALS:

USGCC:

- UL Listed to Standard 4248-4, File E52283
- CSA File No. 032169, Class 6225-01
- IEC 60269-2-1 and 60947-3 Compliant



ADDITIONAL SPECIFICATIONS:

- Screw-less, spring pressure terminals: WAGO CAGE CLAMP®
- Wire Range: #14 to 6 AWG (2.5 to 16mm²) Single Conductor; #14 to 10 AWG (2.5 to 5.0 mm²) Dual Conductor
- Wire Type: 60/75/90°C Solid/Stranded Copper; Can be used with wire ferrules
- Wire Strip Length: 12-13 mm (0.49 in)
- Load-Break Disconnect: No
- Environmental: RoHS compliant, Lead Free
- Operating Temperature: -40 to +85°C
- Watts Loss: 3W or less
- Flammability Rating: UL 94-V0
- Optional Blown Fuse Indicator Lens Color: Red

CATALOG NUMBERS

| Fuse Type | Ampere Rating | Voltage Rating | | Visual Indication | No. of Poles | Catalog Number |
|-----------|---------------|----------------|-----|-------------------|--------------|----------------|
| | | AC | DC | | | |
| Class CC | 30 | 600 | 600 | No | 1 | USGCC1 |
| | 30 | 600 | 600 | No | 2 | USGCC2 |
| | 30 | 600 | 600 | No | 3 | USGCC3 |
| | 30 | 600 | 600 | Yes | 1 | USGCC1I |
| | 30 | 600 | 600 | Yes | 2 | USGCC2I |
| | 30 | 600 | 600 | Yes | 3 | USGCC3I |
| | 30 | - | | 24 | Yes | 1 |

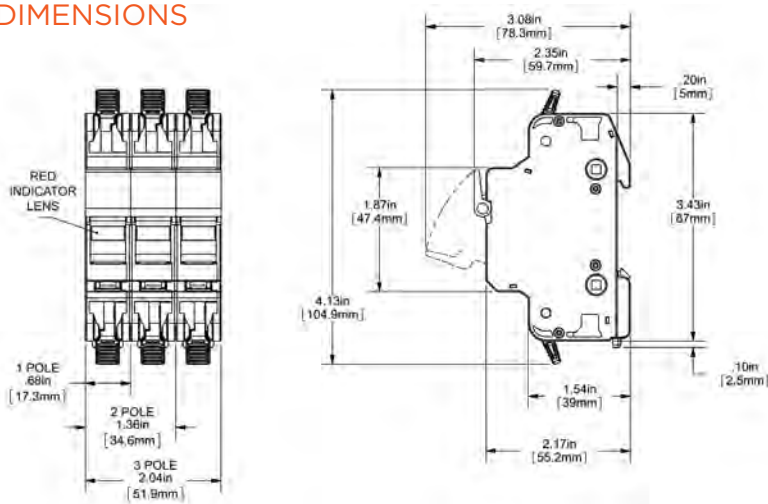


Continuous marking strip and adaptors



WMB Marker System

DIMENSIONS



CATALOG NUMBERS - ACCESSORIES

| Catalog No. | Description |
|-------------|--|
| USGN | 1-Pole with Integral Neutral Link |
| USPTH | Pin-Tie Accessory for 12-Poles |
| USTP | Test Plug, 2 x 500mm (0.079 x 12.7 in), Red |
| USWMB0 | WMB Markers, blank, 10 x 10 strips |
| USWMB1 | WMB Markers, pre-marked 1-10, x10 strips |
| USCMA | Continuous Marking Strip Adapter (1 needed per pole) |
| USCM0* | Continuous Marking Strips, blank, 10 x 10 strips |
| USCM1* | Continuous Marking Strips, pre-marked 1-10, x10 strips |

* USCMA required for use with USCMA and USCM1

UltraSafe™ USGM - Midget Fuse Holders

FUSE BLOCKS & HOLDERS

INNOVATIVE ULTRASAFE MIDGET FUSE HOLDERS WITH SCREW-LESS, SPRING PRESSURE, WIRE TERMINATION TECHNOLOGY



Mersen's USGM series fuse holders deliver the ultimate ease-of-use, time (labor) saving and reliable solution available in the marketplace. Mersen is the first manufacturer to offer screw-less, spring pressure, wire termination technology into a power fuse holder, delivering the best of both technologies to its customers. Now you can experience the combined benefits of safety, ease-of-use, labor savings and reliability of UltraSafe fuse holders and spring pressure technology.

HIGHLIGHTS:

- Equipped with industry proven, patented WAGO CAGE CLAMP® technology (over 25 years of field experience and acceptance)
- Reduce wire installation time by up to 75%
- Highly reliable, maintenance free wire contact
- Secure, vibration proof, corrosion resistant, temperature cycling resistant, cost saving wire connection
- Quick, tool-free, easy fuse change-outs
- IP20 finger-safe protection
- Option visual blown fuse indicator
- DIN-rail mounting
- Compact footprint
- Environmentally conscious, RoHS compliant and lead free

RECOMMENDED FUSE USAGE:

- **USGM** use with Midget Fuses: ATQ, ATM, TRM, OTM, A60Q-2, DCT-2
- **USGM-HEL** use with Photovoltaic Fuses: HP6M, HP10M

RATINGS:

USGM (Midget 10x38mm Fuses)

- Volts: 750VAC maximum
: 1000VDC maximum
- Amps: 30A maximum
- SCCR: 200kA AC, 100kA DC

*Min voltage to operate indicator light:
90VAC, 115VDC [Less than 0.7 mA leakage
current at 600V]*

*USGM1IHEL minimum indicator operating
voltage: 350VDC*

APPLICATIONS:

- All circuits up to 750VAC / 1000VDC for power control, power distribution and power electronics
- Non-load disconnect


APPROVALS:

USGM:

- UL Recognized to Standard 4248-1, File E52283
- CSA File No. 032169, Class 6225-01
- IEC 60269-2-1 and 60947-3 Compliant



USGM-HEL:

- UL Listed to Standard 4248-19 (PV), File E347822 
- CSA Component File No. 032169, Class 6225-30

ADDITIONAL SPECIFICATIONS:

- Screw-less, spring pressure terminals: WAGO CAGE CLAMP®
- Wire Range: #14 to 6 AWG (2.5 to 16mm²) Single Conductor; #14 to 10 AWG (2.5 to 5.0 mm²) Dual Conductor
- Wire Type: 60/75/90°C Solid/Stranded Copper; Can be used with wire ferrules
- Wire Strip Length: 12-13 mm (0.49 in)
- Load-Break Disconnect: No
- Environmental: RoHS compliant, Lead Free
- Operating Temperature: -40 to +85°C
- Watts Loss: 3W or less
- Flammability Rating: UL 94-V0
- Optional Blown Fuse Indicator Lens Color: Red

CATALOG NUMBERS

| Fuse Type | Ampere Rating | Voltage Rating | | Visual Indication | No. of Poles | Catalog Number |
|--|---------------|----------------|------|-------------------|--------------|----------------|
| | | AC | DC | | | |
| Midget { 10 x 38mm } { 1-1/2" x 13/32" } | 30 | 750 | 1000 | No | 1 | USGM1 |
| | 30 | 750 | 1000 | No | 2 | USGM2 |
| | 30 | 750 | 1000 | No | 3 | USGM3 |
| | 30 | 750 | 1000 | No | 4 | USGM4 |
| | 30 | 750 | 1000 | No | 3 + N | USGM3N |
| | 30 | 600 | 600 | Yes | 1 | USGM1I |
| | 30 | 600 | 600 | Yes | 2 | USGM2I |
| | 30 | 600 | 600 | Yes | 3 | USGM3I |
| | 30 | 600 | 600 | Yes | 4 | USGM4I |
| | 30 | 600 | 600 | Yes | 3 + N | USGM3IN |
| | 30 | - | 24 | Yes | 1 | USGM1I-DC24 |
| Photovoltaic Midget | 32 | - | 1000 | No | 1 | USGM1HEL |
| | 32 | - | 1000 | Yes | 1 | USGM1IHEL |

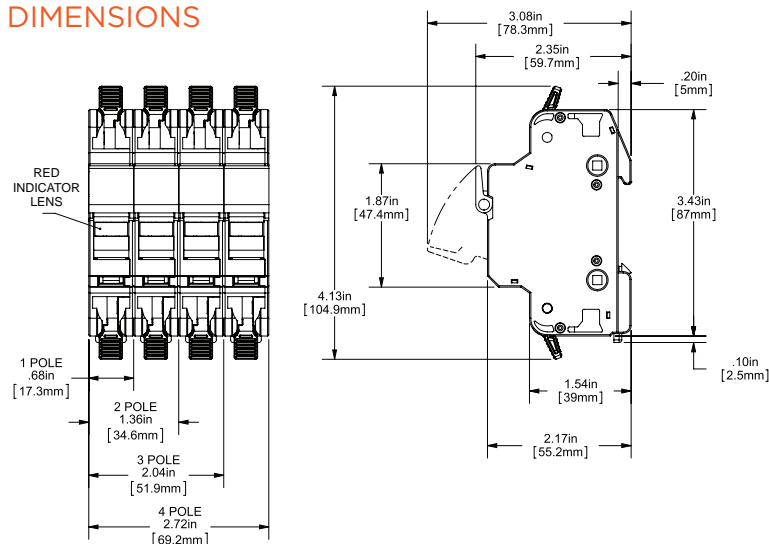


Continuous marking strip and adaptors



WMB Marker System

DIMENSIONS



CATALOG NUMBERS - ACCESSORIES

| Catalog No. | Description |
|-------------|--|
| USGN | 1-Pole with Integral Neutral Link |
| USPTH | Pin-Tie Accessory for 12-Poles |
| USTP | Test Plug, 2 x 500mm (0.079 x 17.7 in), Red |
| USWMB0 | WMB Markers, blank, 10 x 10 strips |
| USWMB1 | WMB Markers, pre-marked 1-10, x10 strips |
| USCMA | Continuous Marking Strip Adapter [1 needed per pole] |
| USCM0* | Continuous Marking Strips, blank, 10 x 10 strips |
| USCM1* | Continuous Marking Strips, pre-marked 1-10, x10 strips |

* USCMA required for use with USCM0 and USCM1

USFM

UltraSafe™ Fuse Modules

FUSE BLOCKS & HOLDERS

ULTRASAFE 3-POLE FUSE MODULES FOR MIDGET AND CLASS CC FUSES



Mersen UltraSafe™ Fuse Modules have a unique, compact design suited for use with 45mm wide IEC contactors. These modules also offer other features not found on other Class CC and midget UltraSafe fuse holders such as an auxiliary contact option. When the auxiliary is wired to an adjacent contactor the load is dropped out by the contactor immediately once someone tries to open the fuse extractor handle. Additionally, the fuse module features padlock capabilities, compact busbars for line side terminations, and tool free removal from DIN-rail. Yet the fuse modules still incorporate well known UltraSafe features such as IP20 protection, easy operating fuse extraction handles and an open fuse visual indication option.

HIGHLIGHTS:

- Dedicated 3-pole fuse module
- Finger-safe
- Compact footprint with 45mm width
- Auxiliary contact option (1NO/1NC)
- Ability to padlock in OPEN position with 1/4" shank diameter
- DIN-rail mount with tool free removal
- Quick, easy fuse change
- Optional indicator lights

RECOMMENDED FUSE USAGE:

- USM use with: ATQ, ATM*, A6Y-2B, A25Z-2, TRM, OTM, A13X-2, A60Q-2, DCT*
 - USCC use with: ATDR, ATMR*, ATQR
- * Recommended for DC applications

RATINGS:

USFMCC (Class CC Fuses)

- **Volts:** 600VAC / DC
- **Amps:** 30A Maximum
- **SCCR:** 200kA

USFM10 (Midget 10x38mm Fuses)

- **Volts:** 600VAC / DC
- **Amps:** 30A Maximum
- **SCCR:** 100kA

Min. voltage to operate indicator light: 90VAC, 115VDC [Less than 0.7 mA leakage current at 600V]

APPLICATIONS:

- Primarily for motor circuits to replace circuit breakers for higher SCCR ratings
- Other circuits up to 600 volts for control circuits, transformers, etc.
- Non-load disconnect
- Padlock compliance

APPROVALS:

USFMCC (Class CC Fuses)

- UL Listed, guide IZLT, File E52283
- CSA Certified C22.2, class 6225 01, File 32169

USFM10 (Midget 10x38mm Fuses)

- UL Recognized Component, guide IZLT2, File E52283
- CSA Certified C22.2, Class 6225 01, File 32169
- IEC Certified 60269-1, 60947-3 (690VAC, 32A, 120kA)



**CATALOG NUMBERS AND DESCRIPTIONS:
FOR USE WITH CLASS CC FUSES**

| Catalog No. | Description |
|-------------|--|
| USFMCC | 3 pole fuse module |
| USFMCCI | 3 pole fuse module with indicators |
| USFMCCM | 3 pole fuse module with microswitch style auxiliary contact |
| USFMCCMI | 3 pole fuse module with microswitch style auxiliary contact and indicators |



USFM-CC

FOR USE WITH MIDGET AND 10X38MM UL AND IEC FUSES

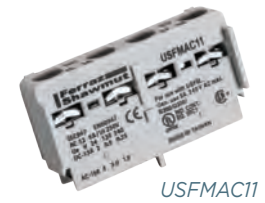
| Catalog No. | Description |
|-------------|--|
| USFM10 | 3 pole fuse module |
| USFM10I | 3 pole fuse module with indicators |
| USFM10M | 3 pole fuse module with microswitch style auxiliary contact |
| USFM10MI | 3 pole fuse module with microswitch style auxiliary contact and indicators |



USFM-10

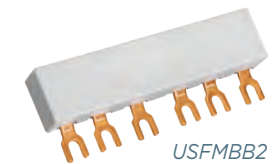
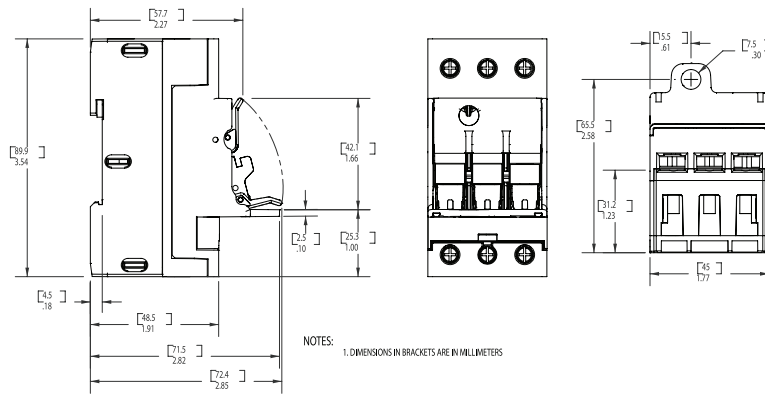
ACCESSORIES

| Catalog No. | Description |
|-------------|--|
| USFMAC11 | 1NO (late make)/NC (early break) auxiliary contact |
| USFMBB2 | Bus bar to connect 2 modules together |
| USFMBB3 | Bus bar to connect 3 modules together |
| USFMBB4 | Bus bar to connect 4 modules together |
| USFMBB5 | Bus bar to connect 5 modules together |
| USFMBBC1 | Bus bar connector terminal |

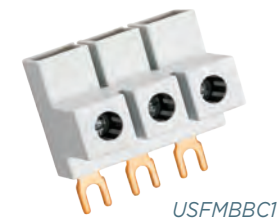


USFMAC11

DIMENSIONS



USFMBB2



USFMBBC1

ADDITIONAL SPECIFICATIONS:

- Terminal screws: Pozidriv#2
- Suggested screw torque: 13 Lbs-in (1.5 N-m)
- Connector type: Pressure plate
- Wire range: #10 to #16 AWG (1-4 mm²)
- 75°C solid/stranded Cu only
- Load-break disconnect: No (when auxiliary contact is installed in fuse module and properly wired to adjacent IEC contactor the load will be dropped out prior to disconnection between fuse and clip inside holder upon operation of the fuse extractor handle).

US3J & US6J

UltraSafe™ Class J Fuse Holders

FUSE BLOCKS & HOLDERS

ULTRASAFE™ MODULAR FUSE HOLDERS FOR CLASS J FUSES



Mersen UltraSafe Modular 600 Volt Fuse Holders for Class J fuses introduce a new level of safety and ease for installing or replacing Class J fuses. UltraSafe holders qualify as “finger-safe” to an IP20 grade of protection under IEC standards. The US3J accommodates 30A Class J or 22 x 58 mm French Ferrule* fuses. The US6J is for 60A Class J fuses. UltraSafe holders are available in compact 1, 2, or 3 pole units, with or without blown-fuse indicators in each pole. Multi-pole units can also be made up in the field by using the multiple-pole Assembly Kits. All units have provisions for locking in the open position for safety during fuse changeouts or equipment servicing. US3J and US6J holders can be snap-mounted to 35 mm DIN-rail and they have a unique latch which will stay open to allow re-positioning of the holder in the future. UltraSafe body material is tough and durable polyamide.

**Holder not UL listed when installed with French Ferrule fuses.*

RECOMMENDED FUSE USAGE:

US3J, US6J use with AJT, A4J, HSJ

RATINGS:

- **Volts:** 600VAC/DC
- **Amps:** US3J - 30A Maximum, US6J - 60A Maximum
- **SCCR:** 200kA

*Min. voltage to operate indicator light:
90VAC, 115VDC [Less than 0.7 mA leakage
current at 600V]*

HIGHLIGHTS

- Finger-safe IP20 protection
- Optional indicator lights
- DIN-rail mount
- Compact footprint
- Quick, easy fuse change

APPLICATIONS:

- 600 volt motors, transformers, lighting, heating, control circuits, general loads
- Non-load disconnect

APPROVALS:

- UL Listed, guide IZLT File E52283
- CSA Certified C22.2, class 6225 01, File 32169
- IEC certified 60269-1, 60947-3



© 2025 Mersen. All rights reserved. Mersen reserves the right to change, update, or correct, without notice, any information contained in this datasheet.

CATALOG NUMBERS

| Catalog No. W/O Indicator | Catalog No. W/ Indicator | Description | Fuse Type | Voltage Rating | | Ampere Rating | No. of Poles | Certifications |
|---------------------------|--------------------------|--|-----------|----------------|------|---------------|--------------|--|
| | | | | AC | DC | | | |
| US3J1 | US3J1I | 1-Pole 30A Class J UltraSafe Fuse Holder | Class J | 600V | 600V | 30A | 1 | UL Listed CSA Approved IEC Certified |
| US3J2 | US3J2I | 2-Pole 30A Class J UltraSafe Fuse Holder | | | | | 2 | |
| US3J3 | US3J3I | 3-Pole 30A Class J UltraSafe Fuse Holder | | | | | 3 | |
| US6J1 | US6J1I | 1-Pole 60A Class J UltraSafe Fuse Holder | | | | 60A | 1 | |
| US6J2 | US6J2I | 2-Pole 60A Class J UltraSafe Fuse Holder | | | | | 2 | |
| US6J3 | US6J3I | 3-Pole 60A Class J UltraSafe Fuse Holder | | | | | 3 | |

CATALOG NUMBERS - ACCESSORIES

| Accessories Catalog No. | Description |
|-------------------------|--|
| US3JN | 1-Pole Neutral 30A Class J UltraSafe Fuse Holder |
| US3JPAK | Pin Tie Assembly Kit, 6-Poles, for use with US3J |
| US6JN | 1-Pole Neutral 60A Class J UltraSafe Fuse Holder |
| US6JPAK | Pin Tie Assembly Kit, 6-Poles, for use with US6J |

ADDITIONAL SPECIFICATIONS:

Terminal screws: Phillips/slot head

Suggested screw torque: 30A - 35 in-lbs.
60A - 45 in-lbs.

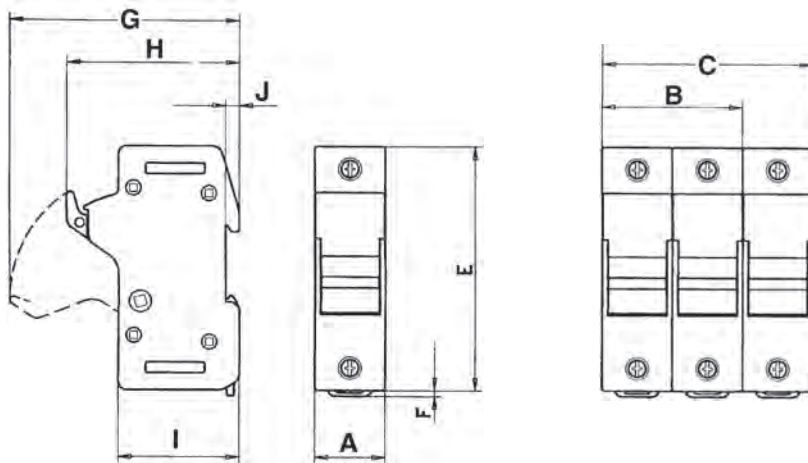
Connector type: Pressure plate

Wire range: #2 to #14 (solid/stranded Cu)

Load-break disconnect: No

DIMENSIONS

| Dimension | US3J | | US6J | |
|-----------|------|------|------|------|
| | mm | In | mm | In |
| A | 32.5 | 1.28 | 40 | 1.57 |
| B | 65 | 2.56 | 80 | 3.15 |
| C | 97.5 | 3.84 | 120 | 4.72 |
| E | 114 | 4.49 | 122 | 4.80 |
| F | 3 | 0.12 | 3 | 0.12 |
| G | 106 | 4.17 | 115 | 4.53 |
| H | 80 | 3.15 | 89 | 3.50 |
| I | 56 | 2.20 | 62 | 2.44 |
| J | 6.5 | 0.26 | 6.5 | 0.26 |



US14 & US22

750 Volt UltraSafe™ Fuse Holders

FUSE BLOCKS & HOLDERS

ULTRASAFE MODULAR FUSE HOLDERS FOR 14 X 51 AND 22 X 58MM FUSES



Mersen UltraSafe™ modular 750 volt Fuse Holders offer the highest levels of safety and features for 14 x 51 mm and 22 x 58 mm fuses. Like all UltraSafe holders, they qualify as “finger-safe” to an IP20 grade of protection under IEC standards, including fuse changing (with the flick of a finger). The US14 and US22 ranges are available in 1, 2 or 3 pole units, with or without blown-fuse indicator lights in each pole.

These holders come standard with a mechanical indicator that shows fuse presence. If a striker fuse is used, this mechanical indicator will also indicate a blown fuse. Microswitches can be supplied with the holders (or ordered separately for field installation) to allow remote communication. These holders also feature padlocking capabilities, DIN-rail mounting with our unique latching system to allow re-positioning, and the capability to be joined as multiple poles in the field.

RECOMMENDED FUSE USAGE:

- US14 use with 14 x 51mm: A70QS, A70P, URC, URD
- US22 use with 22 x 58 mm: A70QS, URD

RATINGS:

- **Volts:** 750VAC/DC
- **Amps:** 50A (14 x 51 mm), 125A (22 x 58 mm)
- **SCCR:** 200kA

HIGHLIGHTS:

- Finger-safe
- Optional indicator lights
- Optional microswitches
- DIN-rail mount
- Compact footprint
- Quick, easy fuse change

APPLICATIONS:

- All circuits up to 750 volts using semiconductor fuses for protection of small inverters, UPS systems, motor drives, etc.
- No-load disconnect
- IP20 requirements

APPROVALS:

- All UltraSafe fuse holders meet the requirements of UL4248
- UL Recognized Component guide IZLT2, File E52283
- CSA Certified C22.2, class 6225, File 32169
- IEC Compliant (60269-1, 60947-3)



CATALOG NUMBERS AND DESCRIPTIONS - FOR USE WITH 14 X 51 MM FUSES UP TO 50A

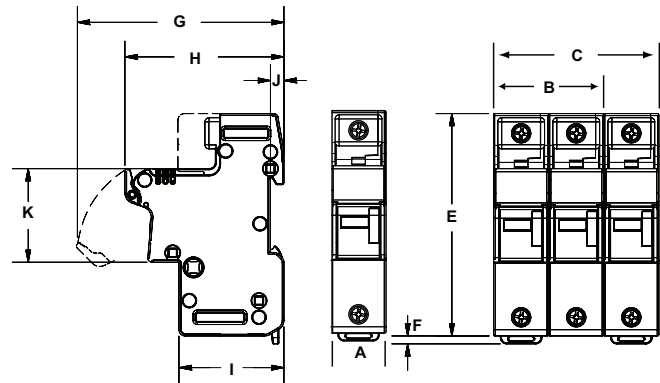
| Reference No. | Catalog No. | Description |
|---------------|-------------|--|
| Z331153 | US141 | 1 Pole |
| G331137 | US142 | 2 Pole |
| N331143 | US143 | 3 Pole |
| A331154 | US141I | 1 Pole with Indicator |
| H331138 | US142I | 2 Pole with Indicators |
| P331144 | US143I | 3 Pole with Indicators |
| B331155 | US141M | 1 Pole with Microswitch |
| J331139 | US142M | 2 Pole with Microswitch |
| Q331145 | US143M | 3 Pole with Microswitch |
| L331141 | US142M2 | 2 Pole with 2 Microswitches |
| T331148 | US143M2 | 3 Pole with 2 Microswitches |
| C331156 | US141MI | 1 Pole with Microswitch & Indicator |
| K331140 | US142MI | 2 Pole with Microswitch & Indicator |
| S331147 | US143MI | 3 Pole with Microswitch & Indicator |
| M331142 | US142M2I | 2 Pole with 2 Microswitches & Indicators |
| W331150 | US143M2I | 3 Pole with 2 Microswitches & Indicators |
| D331157 | US141N | 1 Pole - Neutral |
| X331151 | US143N | 3 Pole - Neutral |
| R227922 | US143NI | 3 Pole - Neutral Conductor and Indicator |
| Y331152 | US143NM | 3 Pole - Neutral Conductor and Microswitch |
| X227927 | US14PAK | Accessory - Multi-pole Assembly Kit |
| Y227928 | US14S1P | Accessory - 1 Pole Microswitch |
| Z227929 | US14S3P | Accessory - 3 Pole Microswitch |
| A227930 | US14S3P2 | Accessory - 3 Pole, 2 Microswitches |

CATALOG NUMBERS AND DESCRIPTIONS - FOR USE WITH 22 X 58 MM FUSES UP TO 125A

| Reference No. | Catalog No. | Description |
|---------------|-------------|--|
| E331158 | US221 | 1 Pole |
| K331163 | US222 | 2 Pole |
| R331169 | US223 | 3 Pole |
| F331159 | US221I | 1 Pole with Indicator |
| L331164 | US222I | 2 Pole with Indicators |
| S331170 | US223I | 3 Pole with Indicators |
| G331160 | US221M | 1 Pole with Microswitch |
| M331165 | US222M | 2 Pole with Microswitch |
| T331171 | US223M | 3 Pole with Microswitch |
| P331167 | US222M2 | 2 Pole with 2 Microswitches |
| W331173 | US223M2 | 3 Pole with 2 Microswitches |
| Z1006203 | US221MI | 1 Pole with Microswitch & Indicator |
| N331166 | US222MI | 2 Pole with Microswitch & Indicators |
| V331172 | US223MI | 3 Pole with Microswitch & Indicators |
| Q331168 | US222M2I | 2 Pole with 2 Microswitches & Indicators |
| X1011974 | US223M2I | 3 Pole with 2 Microswitches & Indicators |
| H331161 | US221N | 1 Pole - Neutral |
| X331174 | US223N | 3 Pole - Neutral |
| J331162 | US221NM | 1 Pole - Neutral Conductor and Microswitch |
| B227931 | US22N | 1 Pole - Neutral |
| F227958 | US22PAK | Accessory - Multi-pole Assembly Kit |
| G227959 | US22S1P | Accessory - 1 Pole Microswitch |
| B331201 | US22S3P | Accessory - 3 Pole Microswitch |
| J227961 | US22S3P2 | Accessory - 3 Pole, 2 Microswitches |

DIMENSIONS

| Dimension | US14 | | US22 | |
|-----------|-------|------|-------|------|
| | mm | In | mm | In |
| A | 26.5 | 1.04 | 35.0 | 1.38 |
| B | 53.0 | 2.09 | 70.0 | 2.76 |
| C | 79.5 | 3.13 | 105.0 | 4.13 |
| E | 107.0 | 4.21 | 124.0 | 4.88 |
| F | 3.80 | 0.15 | 3.80 | 0.15 |
| G | 94.0 | 3.70 | 103.0 | 4.06 |
| H | 76.5 | 3.01 | 76.5 | 3.01 |
| I | 50.5 | 1.98 | 50.5 | 1.98 |
| J | 6.50 | 0.26 | 6.5 | 0.26 |
| K | 45.0 | 1.77 | 45.0 | 1.77 |



ADDITIONAL SPECIFICATIONS:

Terminal screws: Phillips/slot head

Suggested screw torque: 50A - 35 lbs.-in. 125A - 45 lbs.-in.

Connector type: Pressure Plate

Wire range: US14 #2 to #14 (solid/stranded Cu), US22 1/0 to #14 (solid/stranded Cu)

Load-break disconnect: No

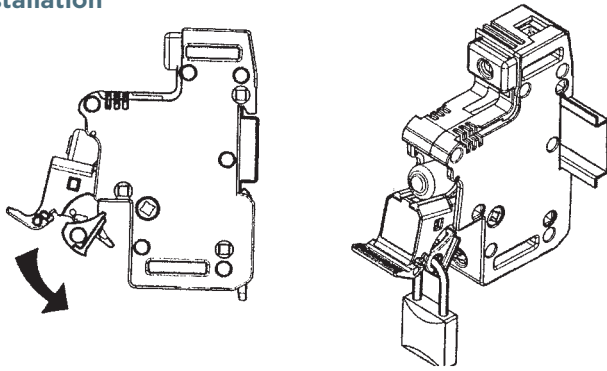
© 2025 Mersen. All rights reserved. Mersen reserves the right to change, update, or correct, without notice, any information contained in this datasheet.

US14 & US22

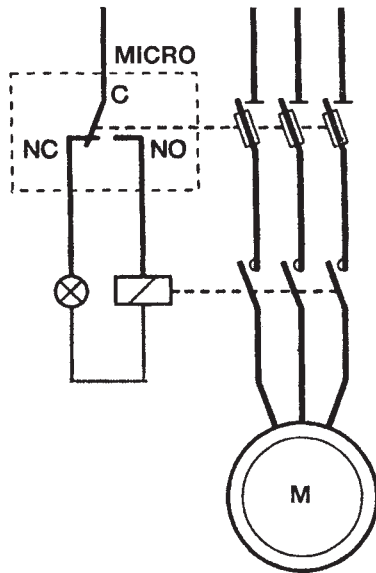
750 Volt UltraSafe™ Fuse Holders

FUSE BLOCKS & HOLDERS

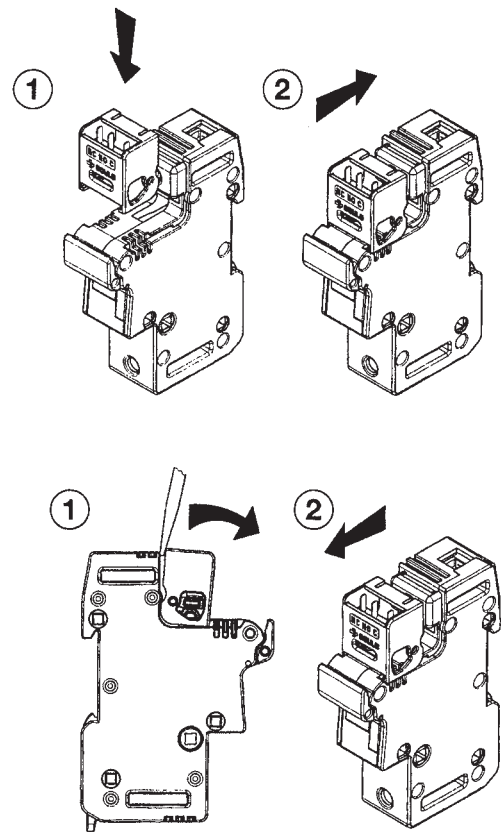
Lock installation



Microswitch mounting instructions(*)



Assembly



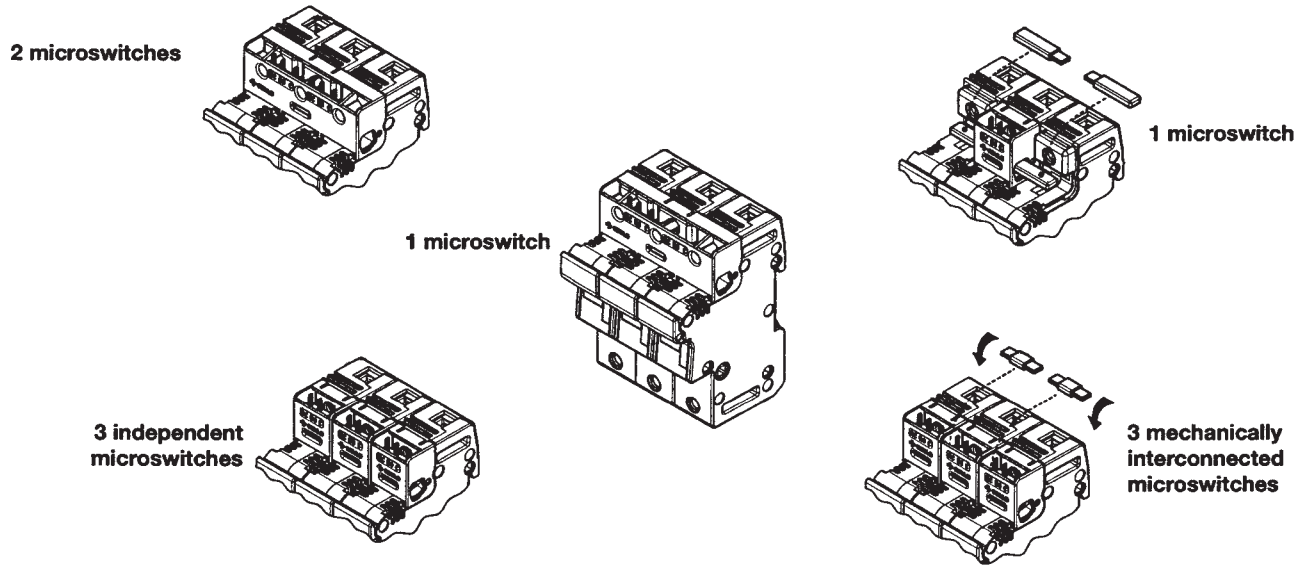
AUXILLIARY MICROSWITCH CHARACTERISTICS

(*) Microswitch functions

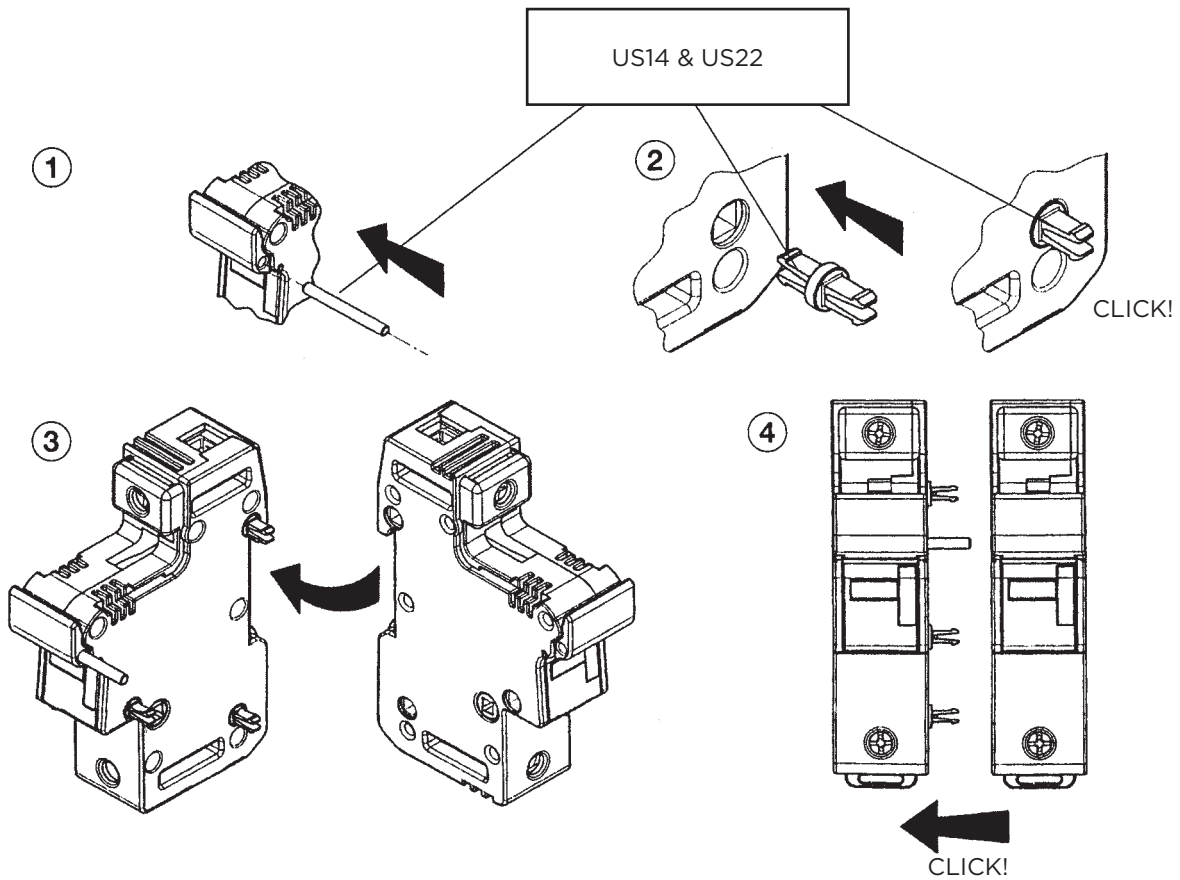
| | | | | |
|--------------|--|---|------------------------|--|
| Blown fuse: | Fuse holder containing fuse with striker sends message when fuse blown | Nominal current and interrupting rating(1) at 250V | 6A 3A 0,1A | AC12 AC13 DC12/13/14 |
| Prebreaking: | When fuse holder opens | Nominal current and interrupting rating(1) at 12 V and 24 V | 6A 5A 2A 0,6A | DC12/DC13 AC13 AC14/DC13 DC14 |
| Presence: | Sends message or not depending on fuse presence | | | |

(1) According IEC947-5 Standard

Microswitch options



Fuse holder assembly



© 2025 Mersen. All rights reserved. Mersen reserves the right to change, update, or correct, without notice, any information contained in this datasheet.

Class J Fuse Holders - Gen2

Fuse Bases

FUSE BASES, FUSE HOLDERS, FUSE SYSTEMS



Mersen's new Generation 2 open style class J fuse blocks accommodate class J fuses ranging from 0-100A, 600V. A choice of screw, pressure plate, and box connectors fit a wide range of stranded or solid wire. Gen2 fuse blocks are DIN-rail mountable, more compact than the traditional offering, and feature dovetail nesting for multi-pole field assembly. Fuse bases are IP20 rated when paired with Mersen's newly designed dead front covers.

| Technical Data Overview | |
|-------------------------------------|----------------|
| Volts | 600VAC/DC |
| Amps | 30A, 60A, 100A |
| Short-Circuit Current Rating (SCCR) | 200kA |
| Recommended fuse usage | AJT, A4J, HSJ |

FEATURES/BENEFITS

- DIN-rail mountable, 600V, 30-100A fuse bases
- Mersen Certified 700VAC
- 30A is available with box, screw, and pressure plate terminations; 60A & 100A is available with box only
- Fresh new Mersen gray color for fuse base
- Dovetail design for interlocking configuration of 2-pole and 3-pole bases
- Unique molding around the termination to accommodate hinged cover and for increased safety
- Built-in lockout/tagout feature
- IP20 finger safe
- New clear covers with indicators for safety and visual inspections
- Multi-connector wiring options

APPLICATIONS

- Branch circuits
- Control panels
- Load centers
- Lighting, heating, & general loads

APPROVALS/STANDARDS

- All class J fuse blocks meet the requirements of UL4248 (formerly UL512)
- UL listed Guide IZLT, File E52283
- CSA certified class 6225, File 32169



© 2025 Mersen. All rights reserved. Mersen reserves the right to change, update, or correct, without notice, any information contained in this datasheet.

CATALOG NUMBERS

600 Volt, 30, 60, & 100 Ampere Class J Fuse Blocks

| Ampere Rating | Poles | Connectors | | Catalog Number | Description | Connector Torque In - lb | Figure |
|---------------|-------|-------------------|---|----------------|--------------------------------|---|--------|
| | | Types | Wire Range | | | | |
| 30 | 1 | BOX | 2-14 AWG CU-AL | FB60J30B1 | Fuse base 600V J 30A Box 1-P | 4.0 N-m (35 in-lbs) CU-AL | 1 |
| | 2 | | | FB60J30B2 | Fuse base 600V J 30A Box 2-P | | |
| | 3 | | | FB60J30B3 | Fuse base 600V J 30A Box 3-P | | |
| | 1 | SCREW | 10-14 AWG CU only | FB60J30S1 | Fuse base 600V J 30A Screw 1-P | 2.3 N-m (10 in-lbs) CU wire | 2 |
| | 2 | | | FB60J30S2 | Fuse base 600V J 30A Screw 2-P | | |
| | 3 | | | FB60J30S3 | Fuse base 600V J 30A Screw 3-P | | |
| | 1 | PRESSURE PLATE | 10-14 AWG CU only | FB60J30P1 | Fuse base 600V J 30A PP 1-P | 2.3 N-m (10 in-lbs) CU wire | 3 |
| | 2 | | | FB60J30P2 | Fuse base 600V J 30A PP 2-P | | |
| | 3 | | | FB60J30P3 | Fuse base 600V J 30A PP 3-P | | |
| 60 | 1 | BOX | 2-14 AWG CU-AL | FB60J60B1 | Fuse base 600V J 60A Box 1-P | 5.1 N-m (45 in-lbs) CU-AL | 4 |
| | 2 | | | FB60J60B2 | Fuse base 600V J 60A Box 2-P | | |
| | 3 | | | FB60J60B3 | Fuse base 600V J 60A Box 3-P | | |
| 100 | 1 | BOX | 2/0-6 AWG CU-AL (2)4-6 AWG CU-AL | FB60J100B1 | Fuse base 600V J 100A Box 1-P | 11.3 N-m (100 in-lbs) AL wire; 6.8 N-m (60 in-lbs) CU wire | 5 |
| | 2 | | | FB60J100B2 | Fuse base 600V J 100A Box 2-P | | |
| | 3 | | | FB60J100B3 | Fuse base 600V J 100A Box 3-P | | |

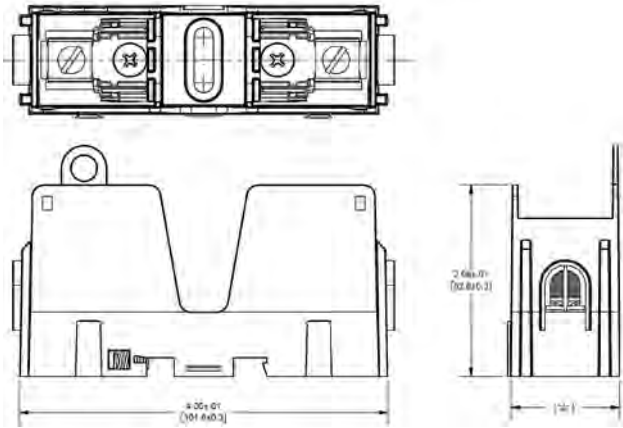
Dead Front Covers for 600 Volt Class J Fuse Blocks

| Ampere Rating | Catalog Number | Description | Figure |
|---------------|----------------|---------------------------|--------|
| 30 | FBC60J30 | Cover 600V J 30A W/O IND | 6 |
| | FBC60J30I | Cover 600V J 30A W/IND | |
| 60 | FBC60J60 | Cover 600V J 60A W/O IND | 7 |
| | FBC60J60I | Cover 600V J 60A W/IND | |
| 100 | FBC60J100 | Cover 600V J 100A W/O IND | 8 |
| | FBC60J100I | Cover 600V J 100A W/IND | |

© 2025 Mersen. All rights reserved. Mersen reserves the right to change, update, or correct, without notice, any information contained in this datasheet.

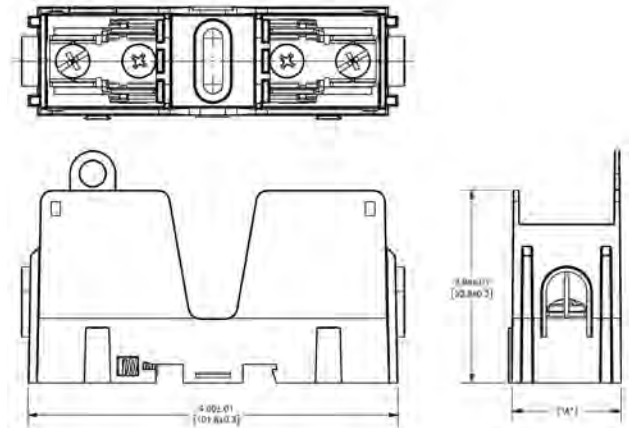
DIMENSIONS

Figure 1: Class J 30A - Box Connector



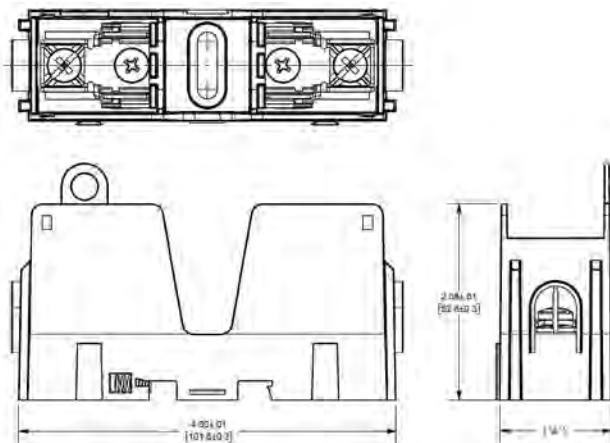
| Catalog Number | No. of Poles | "A" Dimension |
|----------------|--------------|---------------|
| FB60J30B1 | 1 | 1.18" |
| FB60J30B2 | 2 | 2.36" |
| FB60J30B3 | 3 | 3.54" |

Figure 2: Class J 30A - Screw



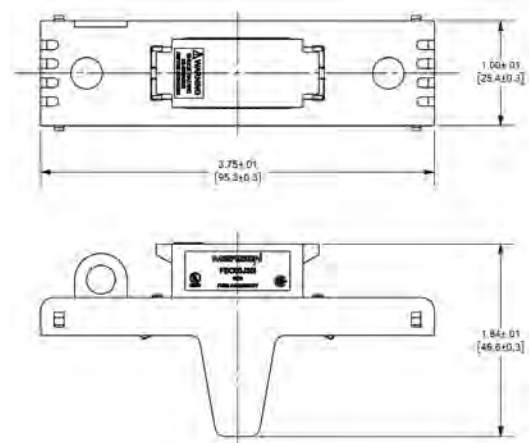
| Catalog Number | No. of Poles | "A" Dimension |
|----------------|--------------|---------------|
| FB60J30S1 | 1 | 1.18" |
| FB60J30S2 | 2 | 2.36" |
| FB60J30S3 | 3 | 3.54" |

Figure 3: Class J 30A - Pressure Plate



| Catalog Number | No. of Poles | "A" Dimension |
|----------------|--------------|---------------|
| FB60J60P1 | 1 | 1.18" |
| FB60J60P2 | 2 | 2.36" |
| FB60J60P3 | 3 | 3.54" |

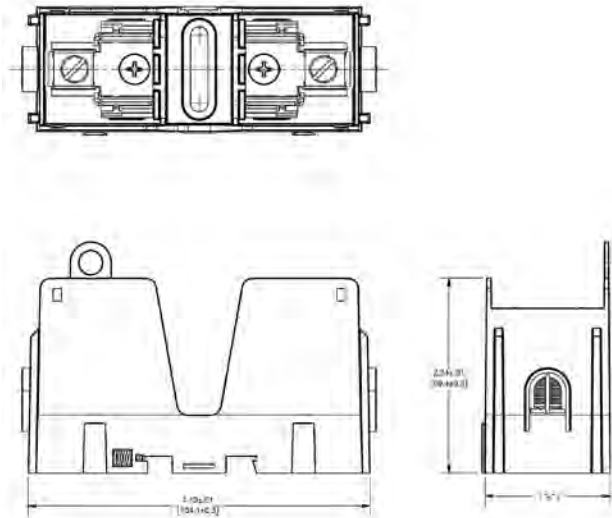
Figure 6: Class J Cover 30A



© 2025 Mersen. All rights reserved. Mersen reserves the right to change, update, or correct, without notice, any information contained in this datasheet.

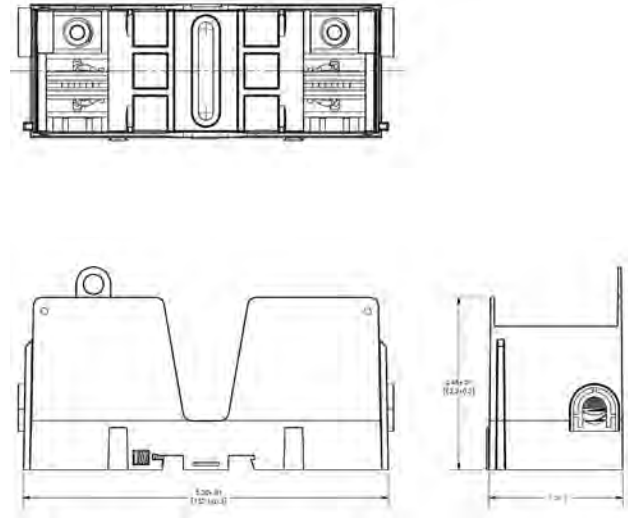
DIMENSIONS:

Figure 4: Class J 60A - Box Connector



| Catalog Number | No. of Poles | "A" Dimension |
|----------------|--------------|---------------|
| FB60J60B1 | 1 | 1.5" |
| FB60J60B2 | 2 | 3.0" |
| FB60J60B3 | 3 | 4.5" |

Figure 5: Class J 100A - Box Connector



| Catalog Number | No. of Poles | "A" Dimension |
|----------------|--------------|---------------|
| FB60J100B1 | 1 | 1.9" |
| FB60J100B2 | 2 | 3.8" |
| FB60J100B3 | 3 | 5.7" |

Figure 7: Class J Cover 60A

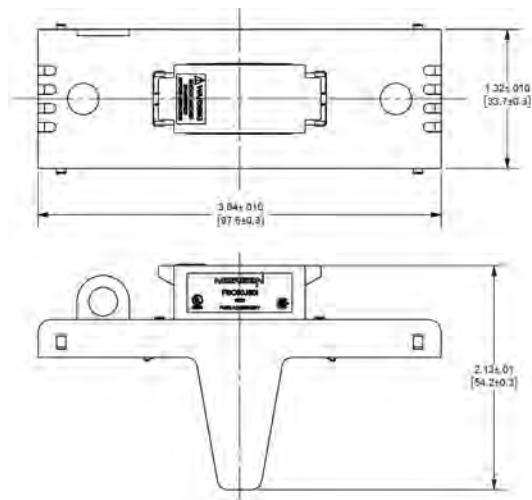
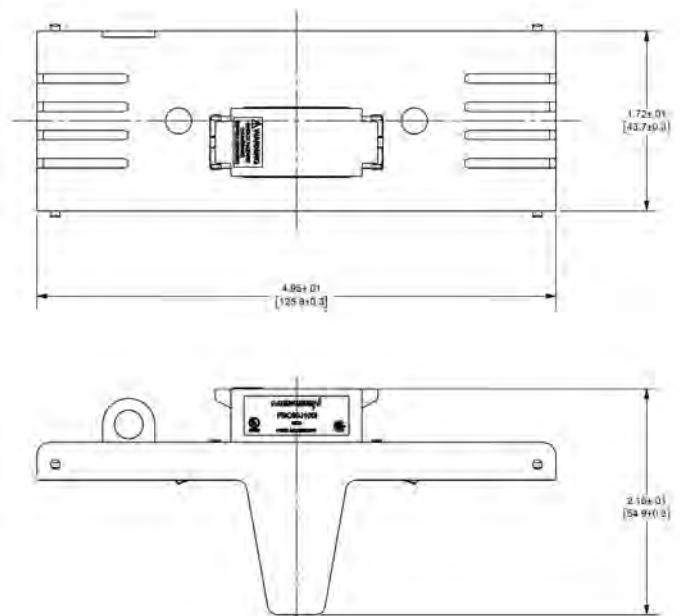


Figure 8: Class J Cover 100A



© 2025 Mersen. All rights reserved. Mersen reserves the right to change, update, or correct, without notice, any information contained in this datasheet.

Class J

600 Volt Fuse Blocks

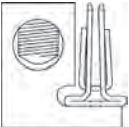



FUSE BLOCKS & HOLDERS

MERSEN CLASS J FUSE BLOCKS ACCOMMODATE ALL CLASS J FUSES



Mersen's connectors fit a wide range of stranded or solid copper or aluminum conductors. Insulators are either molded glass-filled polycarbonate (GFPC) or phenolic with verified dielectric strength in excess of 2500V. All fuse clips are made of high conductivity tin-plated copper designed specifically for 200-600A bladed Class J fuses.

CLIP & CONNECTOR TYPES:

| 200A Connectors | 400A Connectors | 600A Connectors |
|--|---|---|
| Spring Reinforced 200A Box Side Clip  | Spring Reinforced 400A Box Side Clip  | |
| | Spring Reinforced 400A Box In-line Clip  | Spring Reinforced 600A Box In-line Clip  |

RATINGS:

- **Volts:** 600VAC/DC
- Mersen Certified 700VAC
- **Amps:** 200A, 400A, 600A
- **SCCR:** 200kA

RECOMMENDED FUSE USAGE:

- Class J Blocks (600V) use with AJT, A4J, HSJ

APPROVALS:

- All class J fuse blocks meet the requirements of UL4248 (formerly UL512)
- UL listed Guide IZLT, File E52283
- CSA certified class 6225, File 32169



600 VOLT, 200, 400 & 600 AMPERE CLASS J FUSE BLOCKS

| Ampere Rating | Poles | Connector | | Catalog No. | Fig. | Connector Torque In - lb |
|------------------------------|-------|--------------|-----------------|-------------|------|-----------------------------|
| | | Type | Wire Range | | | |
| 200 Phenolic Insulator | 1 | Box | Al/Cu | 62001J | 1 | 375 |
| | 3 | Side-Clip | 350kcmil-#6 | 62003J | 2 | |
| 400 Phenolic Insulator | 1 | Box* | Al/Cu | 64001J | 3 | 375 |
| | 3 | Side-Clip | 1000-250kcmil | 64003J | 4 | |
| | 1 | Box | Al/Cu | 64031J | 5 | 275 |
| | 3 | In-Line Clip | {2} 350kcmil-#4 | 64033J | 6 | |
| | 1 | Box* | Cu** | 64051J | 3 | 375 |
| | 3 | Side-Clip | 1000-250kcmil | 64053J | 4 | |
| 600 Phenolic Insulator | 1 | Box | Cu** | 64061J | 5 | 275 |
| | 3 | In-Line Clip | {2} 350kcmil-#6 | 64063J | 6 | |
| | 1 | Box | Al/Cu | 6631J | 7 | 500 |
| | 3 | In-Line Clip | {2} 500kcmil-#4 | 6633J | 8 | |
| | 1 | Box | Cu** | 6661J | 7 | 375 |
| | 3 | In-Line Clip | {2} 500kcmil-#4 | 6663J | 8 | |

* Not UL Listed or CSA Certified

** Fuse blocks have copper box connectors and clips and are for copper wires only. These are specifically designed with the same coefficient of expansion as copper wire for improved heat cycling and meet or exceed OEM "no aluminum" specifications.

Recommended mounting screws:
All 200A, 400A & 600A - 5/16" (.313" dia.)

DIMENSIONS

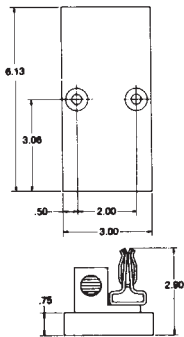


Figure 1

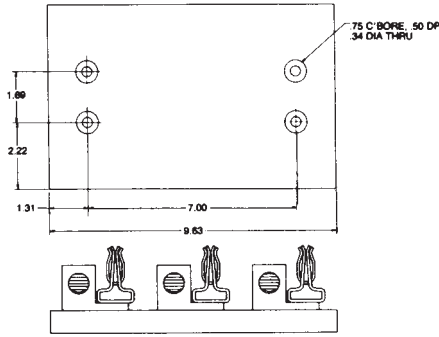


Figure 2

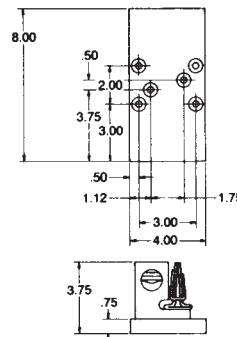


Figure 3

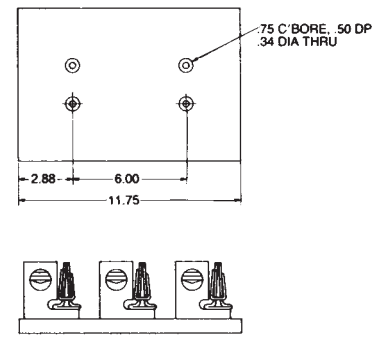


Figure 4

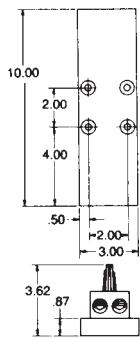


Figure 5

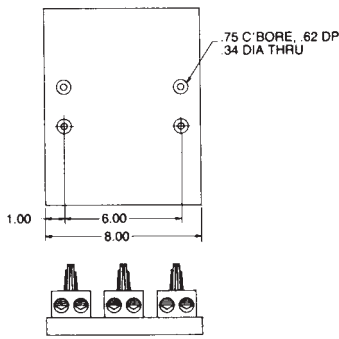


Figure 6

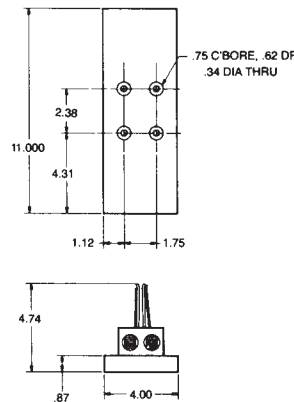


Figure 7

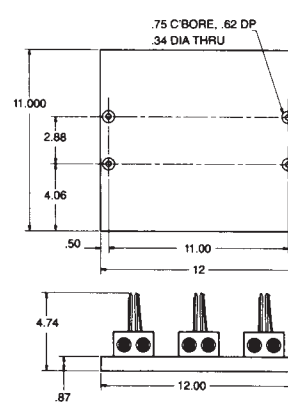


Figure 8

© 2025 Mersen. All rights reserved. Mersen reserves the right to change, update, or correct, without notice, any information contained in this datasheet.

Midget & Class CC

600 Volt Fuse Blocks

FUSE BLOCKS & HOLDERS

600 VOLT MIDGET AND CLASS CC FUSE BLOCKS







Mersen midget fuse blocks accommodate all 30 ampere 1-1/2" x 13/32" midget fuses. Class CC fuse blocks accommodate all 30 ampere Class CC fuses. A choice of box, screw, or pressure-plate connectors fit a wide range of stranded or solid copper wire. Insulators are glass-filled polycarbonate (GFPC) with verified dielectric strength in excess of 2500V. Fuse blocks feature a unique adder block which can be snapped onto 1-, 2- or 3-pole blocks to form multi-pole segmented blocks of as many poles as desired. All fuse clips are made of high conductivity tin-plated copper alloy.

RECOMMENDED FUSE USAGE:

- **Midget Fuse Block** use with ATQ, ATM, A6Y-2B, A25Z-2, TRM, OTM, A15QS-2, GFN, GGU, A60Q-2, DCT
- **Class CC Fuse Block** use with ATDR, ATMR, ATQR

CLIP & CONNECTOR TYPES

| 30A MIDGET/CC | | | |
|---|---|---|---|
| COPPER BOX CONNECTOR | SCREW WITH DOUBLE QUICK-CONNECTS | PRESSURE PLATE WITH DOUBLE QUICK-CONNECTS | PRESSURE PLATE WITH DOUBLE QUICK-CONNECTS (CLASS CC REJECTION END) |
|  |  |  |  |

RATINGS:

Midget Block

- **Volts:** 600VAC / DC
- **Amps:** 30A Maximum
- **SCCR:** 100kA (depending on fuse I.R.); 10kA (when using quick connect terminal)

Class CC Block

- **Volts:** 600VAC / DC
- **Amps:** 30A Maximum
- **SCCR:** 200kA, 10kA (when using quick connect terminal)

Temperature/flammability GFPC insulators rated 125°C, 94V-0 flammability.

APPROVALS:

All fuse blocks meet the requirements of UL 4248

Midget Block

- UL recognized component guide IZLT2, File E52283
- CSA certified class 6225, File 32169

Class CC Block

- UL listed, guide IZLT, File E52283
- CSA certified class 6225, File 32169



600 VOLT, 30A MIDGET AND CLASS CC FUSE BLOCKS

| Connector | | Poles* | Catalog No. | | | | Torque In - lb |
|---|--------------|--------|-------------|---------------------|----------|----------------|----------------|
| Type | Wire Range | | Midget | Listing | Class CC | Listing | |
| Screw w/ double quick connects at both ends | Cu #10-14 | ADDER | 30310 | UL Rec. & CSA | 30310R | UL & CSA | 20 |
| | | 1 | 30311 | | 30311R | | |
| | | 2 | 30312 | | 30312R | | |
| | | 3 | 30313 | | 30313R | | |
| | | 4 | 30314 | | 30314R | | |
| Pressure plate (sems) w/double quick connects at both ends | Cu #10-14 | ADDER | 30320 | UL Rec. & CSA | 30320R | UL & CSA | 20 |
| | | 1 | 30321 | | 30321R | | |
| | | 2 | 30322 | | 30322R | | |
| | | 3 | 30323 | | 30323R | | |
| | | 4 | 30324 | | 30324R | | |
| Copper box | Cu #6-14 | ADDER | 30350 | UL Rec. & CSA | 30350R | UL & CSA | 35 |
| | | 1 | 30351 | | 30351R | | |
| | | 2 | 30352 | | 30352R | | |
| | | 3 | 30353 | | 30353R | | |
| | | 4 | 30354 | | 30354R | | |

Note: To convert Midget or Class CC adder pole to single pole, use end barrier #U09301.

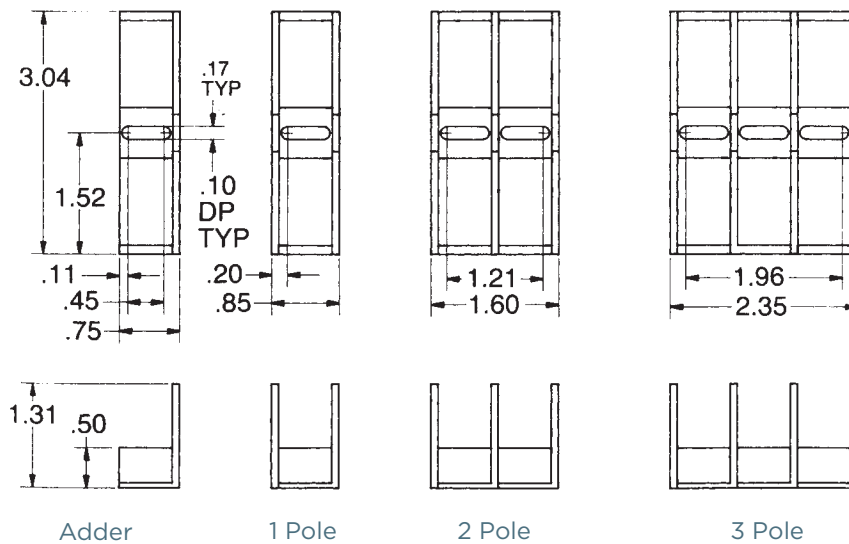
* Available in any number of poles. Replace last digit in Catalog Number with number of poles needed.

Example: 303112 is a 12-pole screw/double QC connector Midget Fuse Block.

Total width of N poles = (N x .76) + .08 inches. 12 poles = (12 x .76") + .08" = 9.20".

Recommended mounting screws for all Midget and Class CC fuse blocks: #8 (.164" dia.)

DIMENSIONS

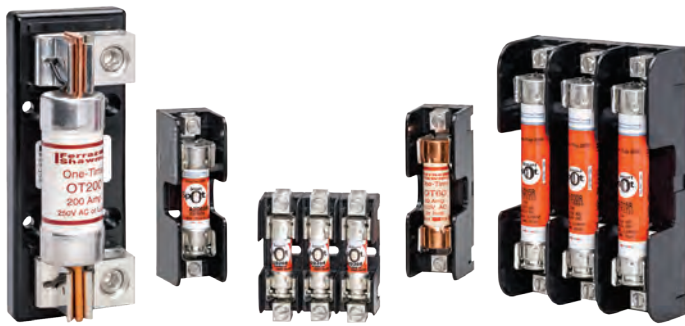


Class H, K & R

250 & 600 Volt Fuse Blocks

FUSE BLOCKS & HOLDERS

250 & 600V CLASS H, K & R FUSE BLOCKS



Mersen Class H, K and R fuse blocks accommodate all Class H, K and R 250 and 600V power fuses. A choice of screw, pressure plate, box and special order stud connectors fit a wide range of stranded or solid copper or aluminum wire. Insulators are either molded glass-filled polycarbonate (GFPC) or phenolic with verified dielectric strength in excess of 2500V. 30, 60 and 100A fuse blocks feature a unique adder block which can be snapped onto 1-, 2- or 3-pole blocks to form multi-pole segmented blocks of as many poles as desired. All fuse clips are made of high conductivity tin-plated copper, with a choice of spring reinforced or non-spring reinforced clips in 30A and 60A. Clips 100A and above are spring reinforced.

| CLIP & CONNECTOR TYPES | | | | | |
|----------------------------|--|---|--|--------------------------------------|--|
| 30A & 60A Clips | | Connectors | | Connectors | |
| Spring Reinforced Class R | | Non-Spring Reinforced 30A & 60A Box | | Spring Reinforced 30A & 60A Box | |
| Class H & K | | Non-Spring 30A Screw | | Spring 30A Screw (R) | |
| Non-Spring Reinforced | | Non-Spring 30A Pressure Plate | | Spring 30A Screw | |
| | | | | Spring Reinforced 30A Pressure Plate | |
| Connectors | | | | | |
| Spring Reinforced 100A Box | | Spring Reinforced 400A Box In-Line Clip | | | |
| Spring 200A Box Side Clip | | Spring 400A Box Side Clip | | | |

RATINGS:

- **Volts:** 250VAC/DC, 600VAC/DC
- **Amps:** 30A, 60A, 100A, 200A, 400A, 600A
- **SCCR:** 10kA with class H fuses; 50kA with class K fuses; 200kA with class R fuses

RECOMMENDED

FUSE USAGE:

- Class R Blocks (250V) use with A2D-R, A2K-R, TR-R
- Class R Blocks (600V) use with A6D-R, A6K-R, TRS-R
- Class H & K Blocks (250V) use with OT, RF, A2Y types 1 & 3 OTN, CRN, NRN
- Class H & K Blocks (600V) use with OTS, RFS, A6Y types 1 & 3 CRS, NRS

APPROVALS:

- All fuse blocks meet the requirements of UL 4248
- UL listed, guide IZLT, File E52283
- UL recognized component guide IZLT2, file E52283
- CSA certified class 6225, File 32169



250 VOLT, 30 & 60 AMPERE CLASS H, K AND R FUSE BLOCKS

| Ampere Rating | Poles | Connector | | Catalog No. | | | Fig. | Connector Torque In - lb |
|-------------------|-------|----------------|-------------|-----------------------------------|---------------------------|---------------------------|------|--------------------------|
| | | Type | Wire Range | Class H & K Non-Spring Reinforced | Class H K Spring enforced | Class R Spring Reinforced | | |
| 30 GFPC Insulator | ADDER | BOX | Al/Cu #2-14 | 20300 | 20305 | 20305R | 1 | 35 |
| | 1 | | | 20301* | 20306* | 20306R* | 2 | |
| | 2 | | | 20302 | 20307 | 20307R | 3 | |
| | 3 | | | 20303 | 20308 | 20308R | 4 | |
| | ADDER | SCREW | Cu #10-14 | 20310 | 20315 | 20315R | 1 | 20 |
| | 1 | | | 20311* | 20316* | 20316R* | 2 | |
| | 2 | | | 20312 | 20317 | 20317R | 3 | |
| | 3 | | | 20313 | 20318 | 20318R | 4 | |
| | ADDER | PRESSURE PLATE | Cu #10-14 | 20320 | 20325 | 20325R | 1 | 20 |
| | 1 | | | 20321* | 20326* | 20326R* | 2 | |
| | 2 | | | 20322 | 20327 | 20327R | 3 | |
| | 3 | | | 20323 | 20328 | 20328R | 4 | |
| | ADDER | BOX | Cu** #4-14 | - | 20355 | 20355R | 1 | 35 |
| | 1 | | | - | 20356* | 20356R* | 2 | |
| | 2 | | | - | 20357 | 20357R | 3 | |
| | 3 | | | - | 20358 | 20358R | 4 | |
| 60 GFPC Insulator | ADDER | BOX | Al/Cu #2-14 | 20600 | 20605 | 20605R | 5 | 45 |
| | 1 | | | 20601 | 20606 | 20606R | 6 | |
| | 2 | | | 20602 | 20607 | 20607R | 7 | |
| | 3 | | | 20603 | 20608 | 20608R | 8 | |
| | ADDER | BOX | Cu** #4-14 | - | 20655 | 20655R | 5 | 45 |
| | 1 | | | - | 20656 | 20656R | 6 | |
| | 2 | | | - | 20657 | 20657R | 7 | |
| | 3 | | | - | 20658 | 20658R | 8 | |

Note: To convert 30A adder pole to single pole, use end barrier #U09322. To convert 60A adder pole to single pole, use end barrier #U09365.

* 1-pole, 30A block does not accept adder pole.

** Fuse blocks have copper box connectors and clips and are for copper wires only. These are specifically designed with the same coefficient of expansion as copper wire for improved heat cycling and meet or exceed OEM "no aluminum" specifications.

Recommended mounting screws for all 30A and 60A fuse blocks: #10 (.190" dia.)

DIMENSIONS

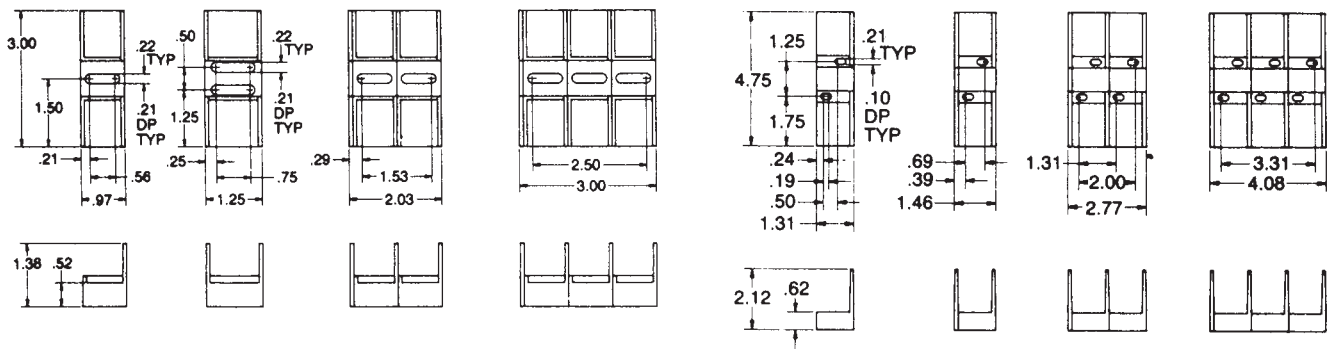


Figure 1

Figure 2

Figure 3

Figure 4

Figure 5

Figure 6

Figure 7

Figure 8

250 VOLT, 100 & 200 AMPERE CLASS H, K AND R FUSE BLOCKS

| Ampere Rating | Poles | Connector | | Catalog No. | | Fig. | Connector Torque In - lb |
|------------------------|-------|---------------|----------------------|-------------------------------|---------------------------|------|--------------------------|
| | | Type | Wire Range | Class H & K Spring Reinforced | Class R Spring Reinforced | | |
| 100 GFPC Insulator | ADDER | Box | Al/Cu 2/0-#6 | 21035 | 21035R | 1 | 120 |
| | 1 | | | 21036 | 21036R | 2 | |
| | 2 | | | 21037 | 21037R | 3 | |
| | 3 | | | 21038 | 21038R | 4 | |
| | ADDER | Box | Cu* 2/0-#12 | 21005 | 21005R | 1 | 50 |
| | 1 | | | 21006 | 21006R | 2 | |
| | 2 | | | 21007 | 21007R | 3 | |
| | 3 | | | 21008 | 21008R | 4 | |
| 200 Phenolic Insulator | 1 | Box Side-Clip | Al/Cu 350kcmil-#6 | 22001 | 22001R | 5 | 375 |
| | 3 | | | 22003 | 22003R | 6 | |
| | 1 | Box Side-Clip | Cu* 350kcmil-#6 | 22051 | 22051R | 5 | 275 |
| | 3 | | | 22053 | 22053R | 6 | |

Note: To convert 100A adder pole to single pole, use end barrier #U09363.

* Fuse blocks have copper box connectors and clips and are for copper wires only. These are specifically designed with the same coefficient of expansion as copper wire for improved heat cycling and meet or exceed OEM "no aluminum" specifications.

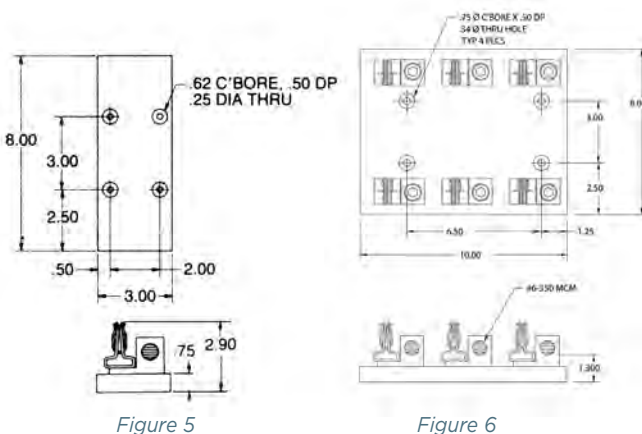
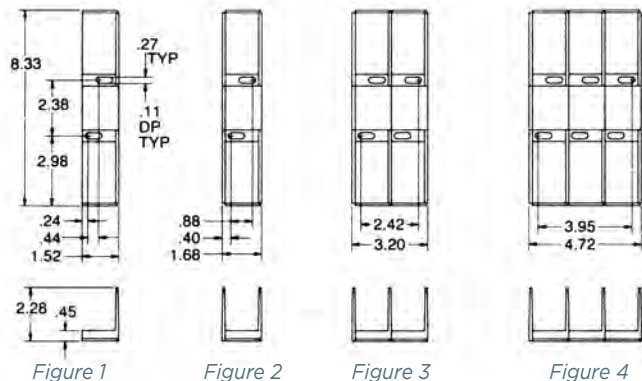
Recommended mounting screws:

All 100A-1/4" (.250" dia.)

200A, 1-pole - #10 (.190" dia.)

200A, 3-pole - 5/16" (.313" dia.)

DIMENSIONS



© 2025 Mersen. All rights reserved. Mersen reserves the right to change, update, or correct, without notice, any information contained in this datasheet.

250 VOLT, 400 & 600 AMPERE CLASS H, K AND R FUSE BLOCKS

| Ampere Rating | Poles | Connector | | Catalog No. | | Fig. | Connector Torque In - lb |
|------------------------|--------------|-----------------|-----------------|-------------------------------|---------------------------|------|--------------------------|
| | | Type | Wire Range | Class H & K Spring Reinforced | Class R Spring Reinforced | | |
| 400 Phenolic Insulator | 1 | Box* | Al/Cu | 24001 | 24001R | 1 | 375 |
| | 3 | Side-Clip | 1000-250kcmil | 24003 | 24003R | 2 | |
| | 1 | Box* | Cu** | 24051 | 24051R | 1 | 375 |
| | 3 | Side-Clip | 1000-250kcmil | 24053 | 24053R | 2 | |
| | 1 | Box | Al/Cu | 24031 | 24031R | 3 | 275 |
| | 3 | In-Line Clip | (2) 350kcmil-#4 | 24033 | 24033R | 4 | |
| | 1 | Box | Al/Cu | 24061 | 24061R | 3 | 275 |
| 3 | In-Line Clip | (2) 350kcmil-#6 | 24033 | 24033R | 4 | | |
| 600 Phenolic Insulator | 1 | Box | Al/Cu | 2631 | 2631R | 5 | 500 |
| | 3 | In-Line Clip | (2) 500kcmil-#4 | 2633 | 2633R | 6 | |
| | 1 | Box | Cu** | 2661 | 2661R | 5 | 375 |
| | 3 | In-Line Clip | (2) 500kcmil-#4 | 2663 | 2663R | 6 | |

* Not UL Listed or CSA Certified

** Fuse blocks have copper box connectors and clips and are for copper wires only. These are specifically designed with the same coefficient of expansion as copper wire for improved heat cycling and meet or exceed OEM "no aluminum" specifications.

Recommended mounting screws for all 400A and 600A fuse blocks: 5/16 (.313" dia.)

DIMENSIONS

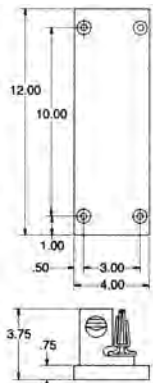


Figure 1

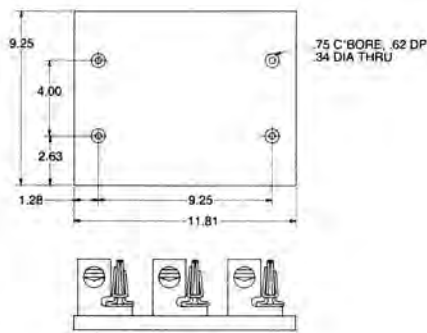


Figure 2

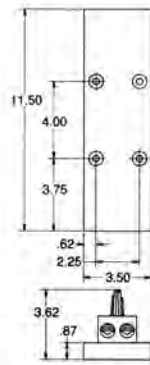


Figure 3

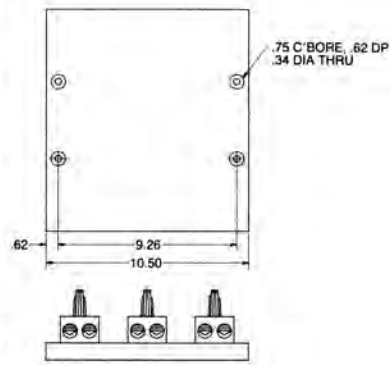


Figure 4

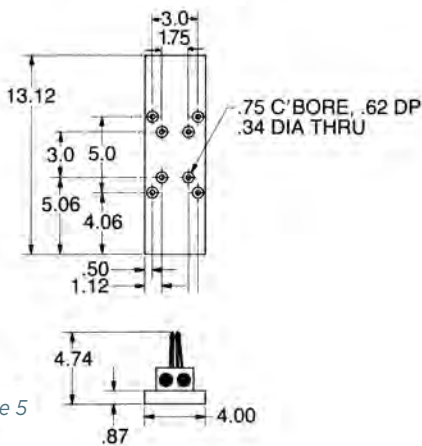


Figure 5

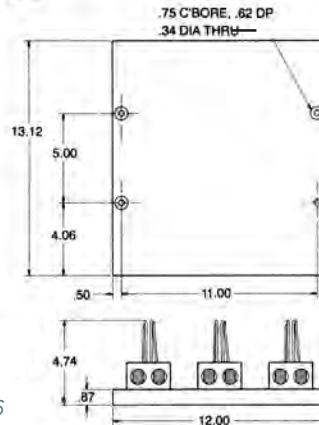


Figure 6

© 2025 Mersen. All rights reserved. Mersen reserves the right to change, update, or correct, without notice, any information contained in this datasheet.

600 VOLT, 30 & 60 AMPERE CLASS H, K AND R FUSE BLOCKS

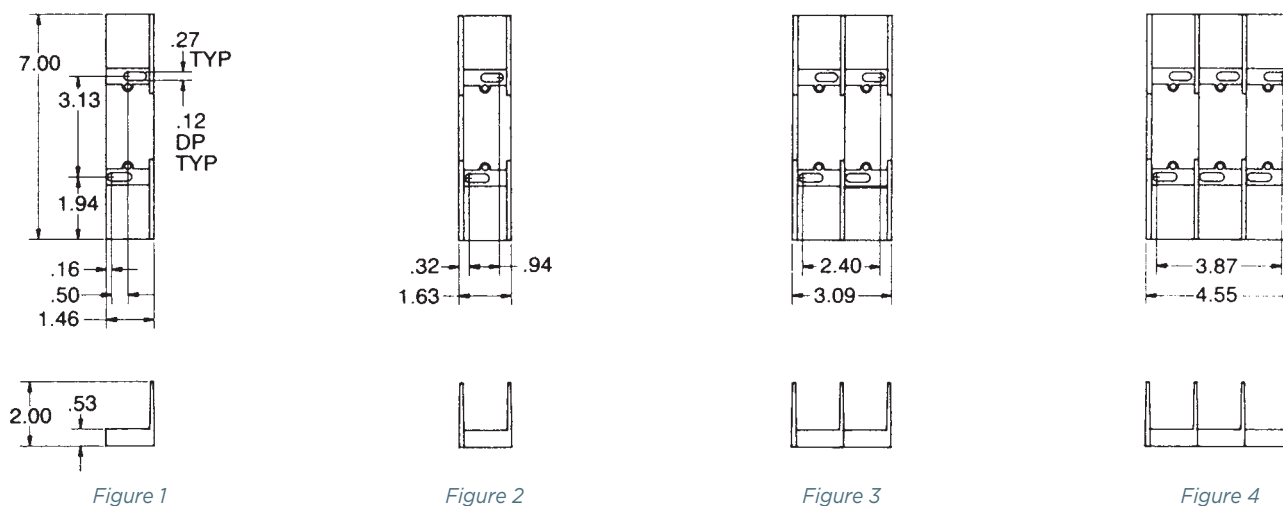
| Ampere Rating | Poles | Connector | | Catalog No. | | | Fig. | Connector Torque In - lb |
|-------------------|-------|----------------|-------------|----------------------------------|-------------------------------|---------------------------|------|--------------------------|
| | | Type | Wire Range | Class H & K NonSpring Reinforced | Class H & K Spring Reinforced | Class R Spring Reinforced | | |
| 30 GFPC Insulator | ADDER | Box | Al/Cu #2-14 | 60300 | 60305 | 60305R | 1 | 35 |
| | 1 | | | 60301 | 60306 | 60306R | 2 | |
| | 2 | | | 60302 | 60307 | 60307R | 3 | |
| | 3 | | | 60303 | 60308 | 60308R | 4 | |
| | ADDER | Screw | Cu #10-14 | 60310 | 60315 | 60315R | 1 | 20 |
| | 1 | | | 60311 | 60316 | 60316R | 2 | |
| | 2 | | | 60312 | 60317 | 60317R | 3 | |
| | 3 | | | 60313 | 60318 | 60318R | 4 | |
| | ADDER | Pressure Plate | Cu #10-14 | 60320 | 60325 | 60325R | 1 | 20 |
| | 1 | | | 60321 | 60326 | 60326R | 2 | |
| | 2 | | | 60322 | 60327 | 60327R | 3 | |
| | 3 | | | 60323 | 60328 | 60328R | 4 | |
| | ADDER | Box | Cu* #4-14 | - | 60355 | 60355R | 1 | 35 |
| | 1 | | | - | 60356 | 60356R | 2 | |
| | 2 | | | - | 60357 | 60357R | 3 | |
| | 3 | | | - | 60358 | 60358R | 4 | |
| 60 GFPC Insulator | ADDER | Box | Al/Cu #2-14 | 60600 | 60605 | 60605R | 1 | 45 |
| | 1 | | | 60601 | 60606 | 60606R | 2 | |
| | 2 | | | 60602 | 60607 | 60607R | 3 | |
| | 3 | | | 60603 | 60608 | 60608R | 4 | |
| | ADDER | Box | Cu* #4-14 | - | 60655 | 60655R | 1 | 45 |
| | 1 | | | - | 60656 | 60656R | 2 | |
| | 2 | | | - | 60657 | 60657R | 3 | |
| | 3 | | | - | 60658 | 60658R | 4 | |

Note: To convert 30A or 60A adder pole to single pole, use end barrier #U09361.

* Fuse blocks have copper box connectors and clips and are for copper wires only. These are specifically designed with the same coefficient of expansion as copper wire for improved heat cycling and meet or exceed OEM "no aluminum" specifications.

Recommended mounting screws for all 30A and 60A fuse blocks: 1/4" (.250"dia.)

DIMENSIONS



600 VOLT, 100 & 200 AMPERE CLASS H, K AND R FUSE BLOCKS

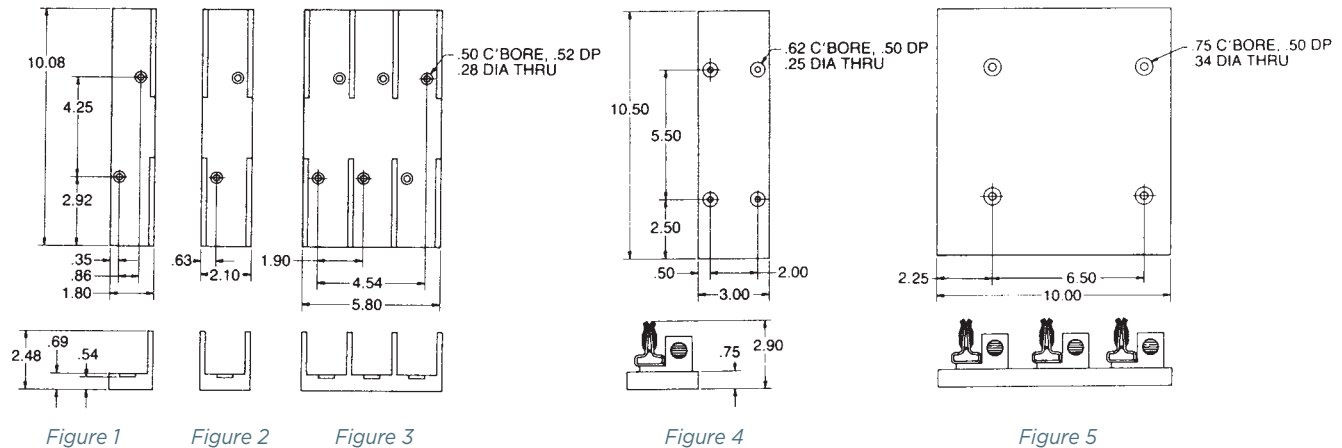
| Ampere Rating | Poles | Connector | | Catalog No. | | Fig. | Connector Torque In - lb |
|---------------|-------|-----------|-----------------|-------------------------------|---------------------------|------|--------------------------|
| | | Type | Wire Range | Class H & K Spring Reinforced | Class R Spring Reinforced | | |
| 100 Insulator | ADDER | Box | Al/Cu 2/0-#6 | 61035 | 61035R | 1 | 120 |
| | 1 | | | 61036 | 61036R | 2 | |
| | 3 | | | 61038 | 61038R | 3 | |
| | ADDER | Box | Cu* 2/0-#12 | 61005 | 61005R | 1 | 50 |
| | 1 | | | 61006 | 61006R | 2 | |
| | 3 | | | 61008 | 61008R | 3 | |
| 200 Insulator | 1 | Box | Al/Cu | 62001 | 62001R | 4 | 375 |
| | 3 | Side-Clip | 350kcmil-#6 | 62003 | 62003R | 5 | |
| | 1 | Box | Cu* | 62051 | 62051R | 4 | 275 |
| | 3 | Side-Clip | 350kcmil-#6 | 62053 | 62053R | 5 | |

* Fuse blocks have copper box connectors and clips and are for copper wires only. These are specifically designed with the same coefficient of expansion as copper wire for improved heat cycling and meet or exceed OEM "no aluminum" specifications.

Recommended mounting screws:

- All 100A-1/4" (.250" dia.)
- 200A, 1-pole - #10 (.190" dia.)
- 200A, 3-pole - 5/16" (.313" dia.)

DIMENSIONS



© 2025 Mersen. All rights reserved. Mersen reserves the right to change, update, or correct, without notice, any information contained in this datasheet.

600 VOLT, 400 & 600 AMPERE CLASS H, K AND R FUSE BLOCKS

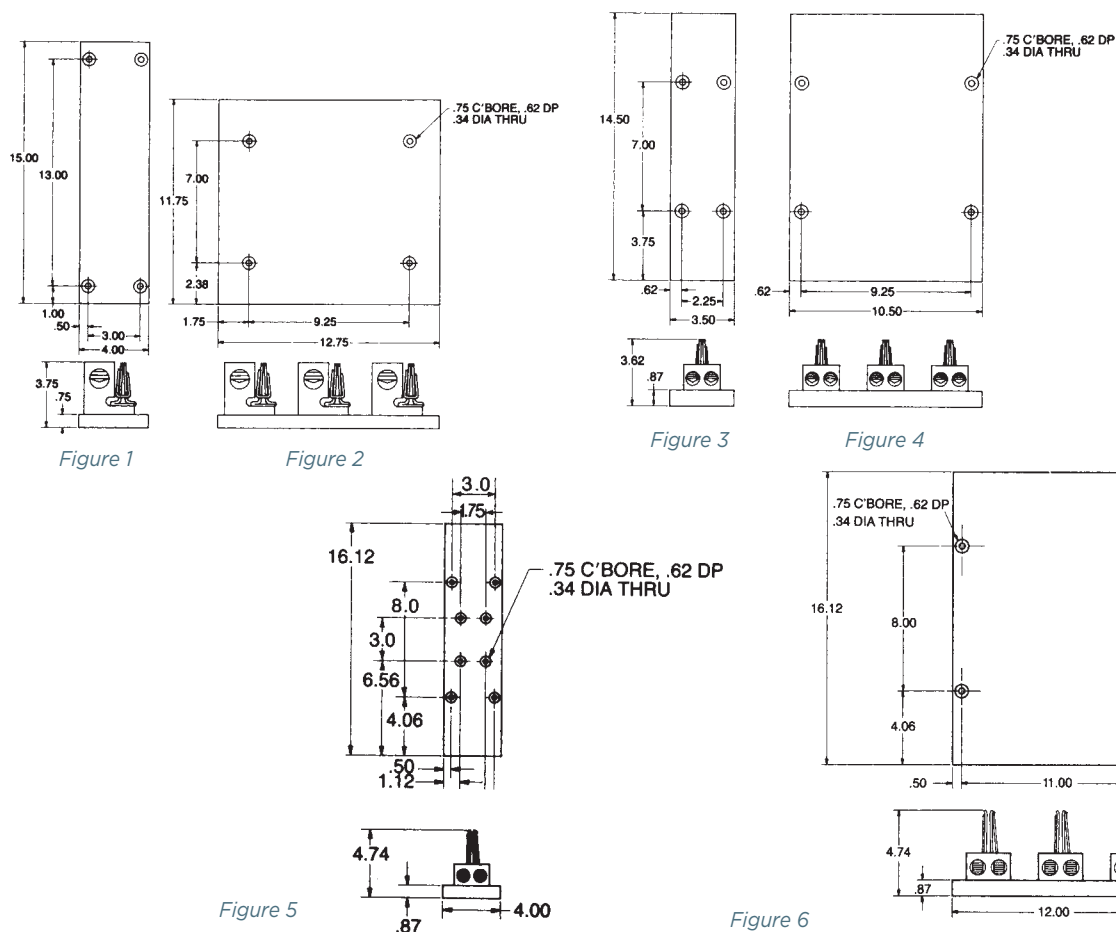
| Ampere Rating | Poles | Connector | | Catalog No. | | Fig. | Connector Torque In - lb |
|------------------------|-------|--------------|-----------------|-------------------------------|---------------------------|------|--------------------------|
| | | Type | Wire Range | Class H & K Spring Reinforced | Class R Spring Reinforced | | |
| 400 Phenolic Insulator | 1 | Box* | Al/Cu | 64001 | 64001R | 1 | 375 |
| | 3 | Side-Clip | 1000-250kcmil | 64003 | 64003R | 2 | |
| | 1 | Box* | Cu** | 64051 | 64051R | 1 | 375 |
| | 3 | Side-Clip | 1000-250kcmil | 64053 | 64053R | 2 | |
| | 1 | Box | Al/Cu | 64031 | 64031R | 3 | 275 |
| | 3 | In-Line Clip | (2) 350kcmil-#4 | 64033 | 64033R | 4 | |
| | 1 | Box | Cu** | 64061 | 64061R | 3 | 275 |
| | 3 | In-Line Clip | (2) 350kcmil-#6 | 64063 | 64063R | 4 | |
| 600 Phenolic Insulator | 1 | Box | Al/Cu | 6631 | 6631R | 5 | 500 |
| | 3 | In-Line Clip | (2) 500kcmil-#4 | 6633 | 6633R | 6 | |
| | 1 | Box | Cu** | 6661 | 6661R | 5 | 375 |
| | 3 | In-Line Clip | (2) 500kcmil-#4 | 6663 | 6663R | 6 | |

* Not UL Listed or CSA Certified

** Fuse blocks have copper box connectors and clips and are for copper wires only. These are specifically designed with the same coefficient of expansion as copper wire for improved heat cycling and meet or exceed OEM "no aluminum" specifications.

Recommended mounting screws for all 400A and 600A fuse blocks: 5/16 (.313" dia.)

DIMENSIONS



© 2025 Mersen. All rights reserved. Mersen reserves the right to change, update, or correct, without notice, any information contained in this datasheet.

Class T

300 & 600 Volt Fuse Blocks

FUSE BLOCKS & HOLDERS

300 & 600V CLASS T FUSE BLOCKS




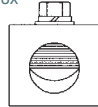

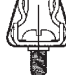
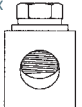
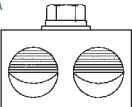


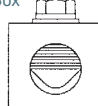


Mersen Class T fuse blocks accommodate Class T fuses up to 600A. Insulators are either durable, glass-filled polycarbonate (GFPC) or phenolic with verified dielectric strength in excess of 2500V. Mersen is the only manufacturer to offer Class T blocks with copper connectors.

RECOMMENDED FUSE USAGE:

- Class T Blocks (300V) use with A3T
- Class T Blocks (600V) use with A6T

CLIP & CONNECTOR TYPES

| Spring Reinforced 30A & 60A Clips | Connectors for Spring Reinforced 30A & 60A Clips | Connectors | Connectors |
|---|---|--|--|
| 300V - 30A 600V - 30A  | 30A - 60A Box  | 100A Box Side Clip  | 400A Box  |
| 300V - 60A  | 30A - 60A Screw  | 100A Box  | 600A Box  |
| 600V - 60A  | 30A - 60A Pressure Plate  | 200A Box  | |

RATINGS:

- **Volts:** 300VAC/DC, 600VAC/DC
- **Amps:** 30A, 60A, 100A, 200A, 400A, 600A
- **SCCR:** 200kA

FEATURES/BENEFITS:

- Unique integral DIN-rail adapters for 600V, 30 & 60A blocks
- Full barrier design (30 & 60A) increases pole to pole safety
- Unique adder-block design (30 & 60A) for design flexibility
- Spring reinforcing standard for all 30 & 60A clips
- Features high conductivity copper alloy fuse clips
- Cool running high amperage (100 - 600A) connectors
- Copper connectors available 30 - 600A

APPROVALS:

- All fuse blocks meet the requirements of UL 4248
- UL listed, guide IZLT, File E52283
- UL recognized component guide IZLT2, file E52283
- CSA certified class 6225, File 32169



300 VOLT, 30 & 60 AMPERE CLASS T FUSE BLOCKS

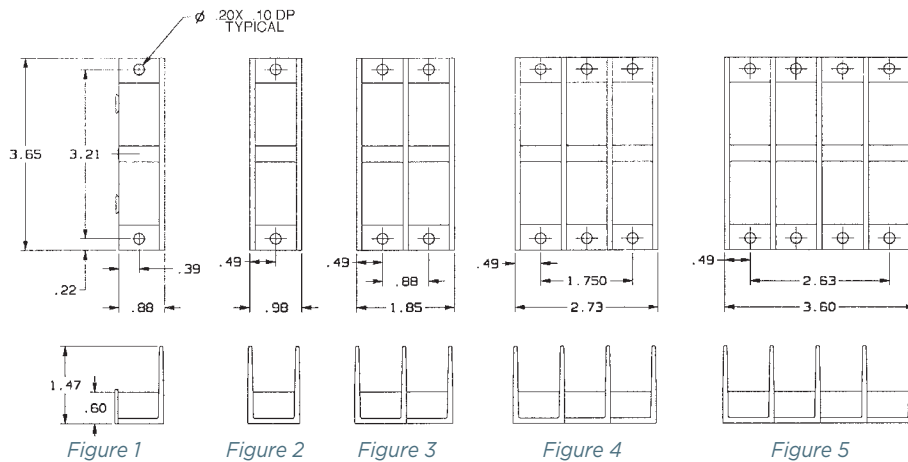
| Ampere Rating | Poles | Connector Type | Wire Range | Catalog No. Spring Reinforced | Fig. | Connector Torque In - lb |
|-------------------|-------|----------------|------------|-------------------------------|------|--------------------------|
| 30 GFPC Insulator | ADDER | | | 30305T | 1 | |
| | 1 | | Al/Cu | 30306T | 2 | |
| | 2 | Box | #2-14 | 30307T | 3 | 35 |
| | 3 | | | 30308T | 4 | |
| | 4 | | | 30309T | 5 | |
| | ADDER | | | 30315T | 1 | |
| | 1 | | Cu | 30316T | 2 | |
| | 2 | Screw | #10-14 | 30317T | 3 | 20 |
| | 3 | | | 30318T | 4 | |
| | 4 | | | 30319T | 5 | |
| | ADDER | | | 30325T | 1 | |
| | 1 | Pressure | Cu | 30326T | 2 | |
| | 2 | Plate | #10-14 | 30327T | 3 | 20 |
| | 3 | | | 30328T | 4 | |
| | 4 | | | 30329T | 5 | |
| | ADDER | | | 30355T | 1 | |
| | 1 | | Cu* | 30356T | 2 | |
| | 2 | Box | #4-14 | 30357T | 3 | 35 |
| | 3 | | | 30358T | 4 | |
| | 4 | | | 30359T | 5 | |
| ADDER | | | 30615T** | 1 | | |
| 1 | | Cu | 30616T** | 2 | | |
| 2 | Screw | #10-14 | 30617T** | 3 | 20 | |
| 3 | | | 30618T** | 4 | | |
| 4 | | | 30619T** | 5 | | |
| 60 GFPC Insulator | ADDER | | | 30605T | 1 | |
| | 1 | | Al/Cu | 30606T | 2 | |
| | 2 | Box | #2-14 | 30607T | 3 | 45 |
| | 3 | | | 30608T | 4 | |
| | 4 | | | 30609T | 5 | |
| | ADDER | | | 30655T | 1 | |
| | 1 | | Cu* | 30656T | 2 | |
| | 2 | Box | #4-14 | 30657T | 3 | 45 |
| | 3 | | | 30658T | 4 | |
| | 4 | | | 30659T | 5 | |

* Fuse blocks have copper box connectors and clips and are for copper wires only. These are specifically designed with the same coefficient of expansion as copper wire for improved heat cycling and meet or exceed OEM "no aluminum" specifications.

** UL Component Recognized

Recommended base mounting screws: #10 (.190" dia.)

DIMENSIONS



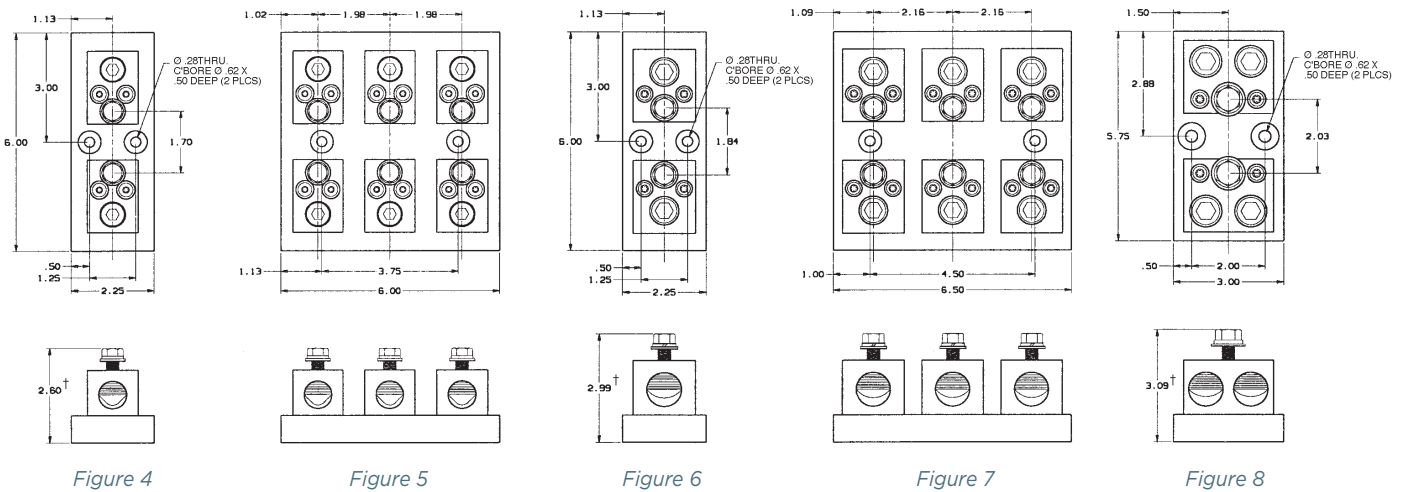
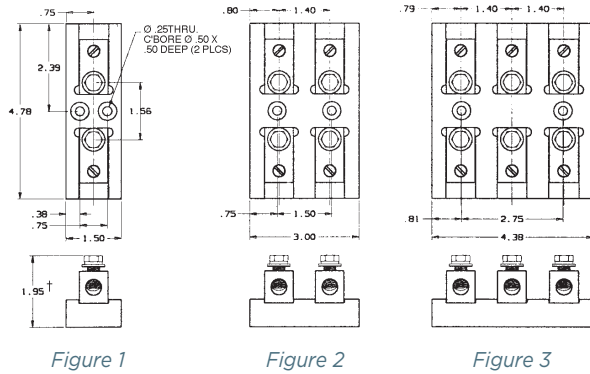
300 VOLT, 100, 200, 400 & 600 AMPERE CLASS T FUSE BLOCKS

| Ampere Rating | Poles | Connector | | Catalog No. | Fig. | Connector Torque In - lb | |
|------------------------------|-------|-----------|---------------------------|-------------|------|--------------------------|-----------|
| | | Type | Wire Range | | | Connector | Fuse Bolt |
| 100 Phenolic Insulator | 1 | | Cu* | 31001T | 1 | | |
| | 2 | Box | 2/0-#12 | 31002T | 2 | 50 | 72 |
| | 3 | | | 31003T | 3 | | |
| 200 Phenolic Insulator | 1 | Box | Al/Cu | 32031T | 4 | 275 | 132 |
| | 3 | | 350 kcmil-#6 | 32033T | 5 | | |
| | 1 | Box | Cu* | 32051T | 4 | 275 | 132 |
| | 3 | | 350 kcmil-#6 | 32053T | 5 | | |
| 400 Phenolic Insulator | 1 | Box | Al/Cu | 34031T | 6 | 600 | 228 |
| | 3 | | 600 kcmil-#2 | 34033T | 7 | | |
| | 1 | Box | Cu* | 34051T | 6 | 375 | 228 |
| | 3 | | 600 kcmil-#2 | 34053T | 7 | | |
| 600 Phenolic Insulator | 1 | Box | Al/Cu [2] 600 kcmil-#2 | 36031T | 8 | 600 | 360 |
| | 1 | Box | Cu* [2] 600 kcmil-#2 | 36051T | 8 | 375 | 360 |

* Note: Height includes nominal fuse blade thickness
Recommended base mounting screws:
100A & 200A, #10 (.190" dia.)
400A & 600A, 1/4" (.250" dia.)

Note: * Fuse blocks have copper box connectors and are for copper wires only. These are specifically designed with the same coefficient of expansion as copper wire for improved heat cycling and meet or exceed OEM "no aluminum" specifications.

DIMENSIONS



© 2025 Mersen. All rights reserved. Mersen reserves the right to change, update, or correct, without notice, any information contained in this datasheet.

600 VOLT, 30 & 60 AMPERE CLASS T FUSE BLOCKS

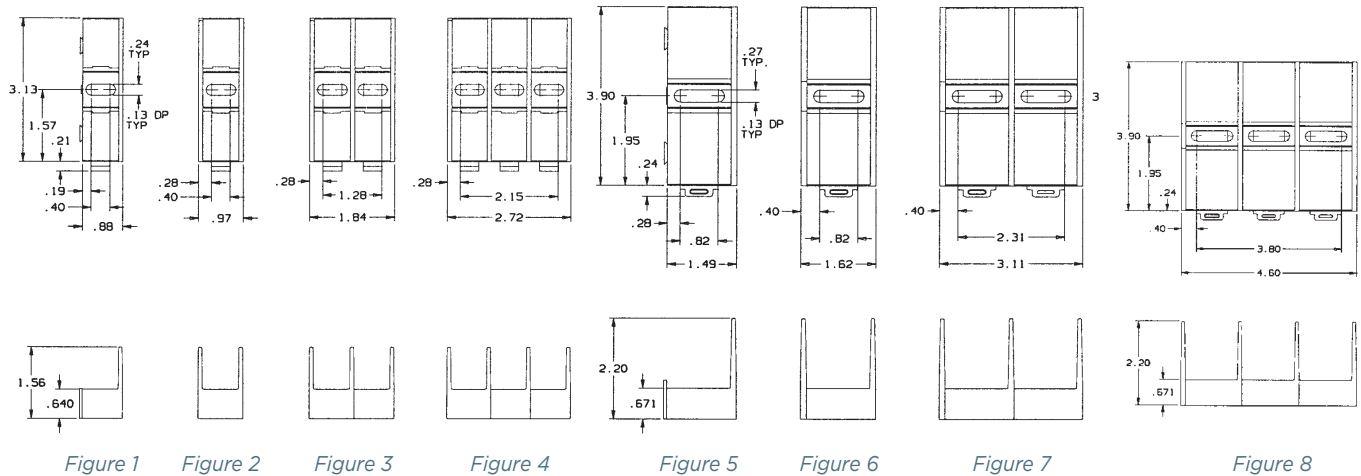
| Ampere Rating | Poles | Connector | | Catalog No. | Fig. | Connector Torque In - lb |
|-------------------|-------|-----------|------------|-------------|------|--------------------------|
| | | Type | Wire Range | | | |
| 30 GFPC Insulator | ADDER | | | 60305T | 1 | |
| | 1 | Box | Al/Cu | 60306T | 2 | |
| | 2 | | #2-14 | 60307T | 3 | 35 |
| | 3 | | | 60308T | 4 | |
| | ADDER | | | 60315T | 1 | |
| | 1 | Screw | Cu | 60316T | 2 | |
| | 2 | | #10-14 | 60317T | 3 | 20 |
| | 3 | | | 60318T | 4 | |
| | ADDER | | | 60325T | 1 | |
| | 1 | Pressure | Cu | 60326T | 2 | |
| | 2 | Plate | #10-14 | 60327T | 3 | 20 |
| | 3 | | | 60328T | 4 | |
| | ADDER | | | 60355T | 1 | |
| | 1 | Box | Cu* | 60356T | 2 | |
| | 2 | | #4-14 | 60357T | 3 | 35 |
| 3 | | | 60358T | 4 | | |
| 60 GFPC Insulator | ADDER | | | 60615T** | 5 | |
| | 1 | Screw | Cu | 60616T** | 6 | |
| | 2 | | #10-14 | 60617T** | 7 | 20 |
| | 3 | | | 60618T** | 8 | |
| | ADDER | | | 60605T | 5 | |
| | 1 | Box | Al/Cu | 60606T | 6 | |
| | 2 | | #2-14 | 60607T | 7 | 45 |
| | 3 | | | 60608T | 8 | |
| | ADDER | | | 60655T | 5 | |
| | 1 | Box | Cu* | 60656T | 6 | |
| | 2 | | #4-14 | 60657T | 7 | 45 |
| | 3 | | | 60658T | 8 | |

* Fuse blocks have copper box connectors and clips and are for copper wires only. These are specifically designed with the same coefficient of expansion as copper wire for improved heat cycling and meet or exceed OEM "no aluminum" specifications.

** UL Component Recognized

Recommended mounting screws:
30A, #10 (.190" dia.)
60A, 1/4" (.250" dia.)

DIMENSIONS



© 2025 Mersen. All rights reserved. Mersen reserves the right to change, update, or correct, without notice, any information contained in this datasheet.

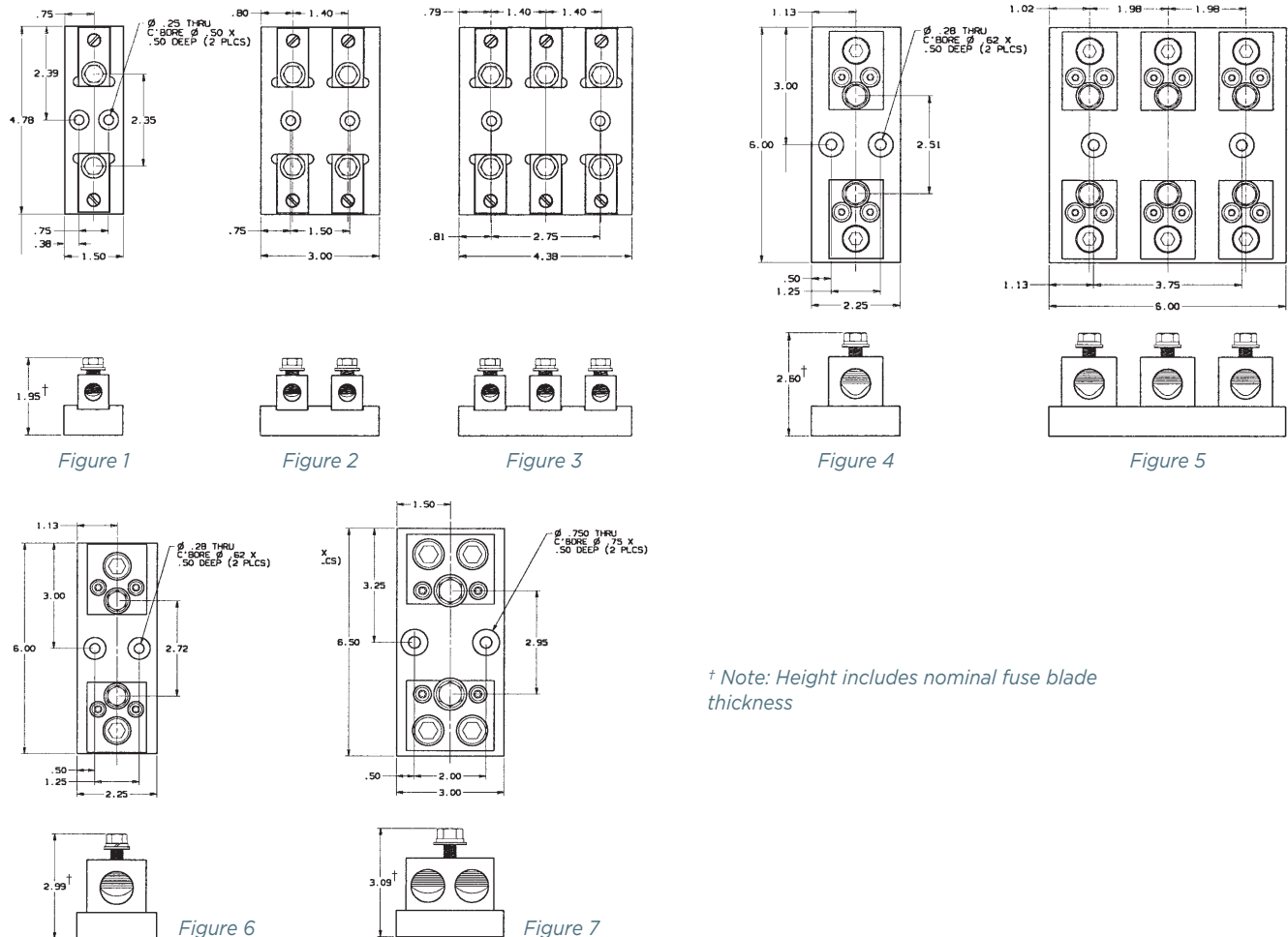
600 VOLT, 100, 200, 400 & 600 AMPERE CLASS T FUSE BLOCKS

| Ampere Rating | Poles | Connector | | Catalog No. Spring Reinforced | Fig. | Torque (In - Lbs) | |
|------------------------------|-------|-----------|---------------------------|----------------------------------|------|-------------------|-----------|
| | | Type | Wire Range | | | Connector | Fuse Bolt |
| 100 Phenolic Insulator | 1 | BOX | Al/Cu 2/0-#6 | 61031T | 1 | 120 | 72 |
| | 2 | | | 61032T | 2 | | |
| | 3 | | | 61033T | 3 | | |
| | 1 | BOX | Cu* 2/0-#12 | 61051T | 1 | 50 | 72 |
| | 2 | | | 61052T | 2 | | |
| | 3 | | | 61053T | 3 | | |
| 200 Phenolic Insulator | 1 | BOX | Al/Cu 350 kcmil-#6 | 62031T | 4 | 275 | 132 |
| | 3 | | | 62033T | 5 | | |
| | 1 | BOX | Cu* 350 kcmil-#6 | 62051T | 4 | 275 | 132 |
| | 3 | | | 62053T | 5 | | |
| 400 Phenolic Insulator | 1 | BOX | Al/Cu 600 kcmil-#2 | 64031T | 6 | 600 | 228 |
| | 1 | BOX | Cu* 600 kcmil-#2 | 64051T | 6 | 375 | 228 |
| 600 Phenolic Insulator | 1 | BOX | Al/Cu (2) 600 kcmil-#2 | 66031T | 7 | 600 | 360 |
| | 1 | BOX | Cu* (2) 600 kcmil-#2 | 66051T | 7 | 375 | 360 |

Note: Fuse blocks have copper box connectors and are for copper wires only. These are specifically designed with the same coefficient of expansion as copper wire for improved heat cycling and meet or exceed OEM "no aluminum" specifications.

Recommended base mounting screws:
100A & 200A, #10 (.190" dia.)
400A & 600A, 1/4" (.250" dia.)

DIMENSIONS



© 2025 Mersen. All rights reserved. Mersen reserves the right to change, update, or correct, without notice, any information contained in this datasheet.

Class G

480 & 600 Volt Fuse Blocks

FUSE BLOCKS & HOLDERS

480 & 600V CLASS G FUSE BLOCKS



Mersen Class G fuse blocks accommodate all 15, 20, 30 and 60 ampere Class G fuses. A choice of box, screw or pressure-plate connectors fit a wide range of stranded or solid copper wire. Insulators are glass-filled polycarbonate (GFPC) with verified dielectric strength in excess of 2500V. Fuse blocks feature a unique adder block which can be snapped onto 1-, 2-, or 3-pole blocks to form multi-pole segmented blocks of as many poles as desired. All fuse clips are made of high conductivity tin-plated copper alloy.

RECOMMENDED FUSE USAGE:

Class G Blocks use with AG

CLIP & CONNECTOR TYPES

| 30, 60A | 15, 20, 30A | 15, 20, 30A |
|---|---|---|
| COPPER BOX CONNECTOR OR ALUMINUM BOX CONNECTOR | SCREW WITH DOUBLE QUICK-CONNECTS | PRESSURE PLATE WITH DOUBLE-QUICK CONNECTS |
|  |  |  |

RATINGS:

- **Volts:** 600VAC (15, 20A), 480VAC (30, 60A)
- **Amps:** 15A, 20A, 30A, 60A
- **SCCR:** 100kA, 10kA (when using quick connects)
- **Temperature/Flammability:** GFPC insulators rated 125°C RTI, 94V-0 flammability

FEATURES/BENEFITS:

- Unique integral DIN-rail adapters for 15, 20 & 30A blocks
- Unique adder-block design (all ampere ratings) for design flexibility
- Spring reinforcing standard for 60A clips
- Features high conductivity copper alloy fuse clips

APPROVALS:

All fuse blocks meet the requirements of UL 4248

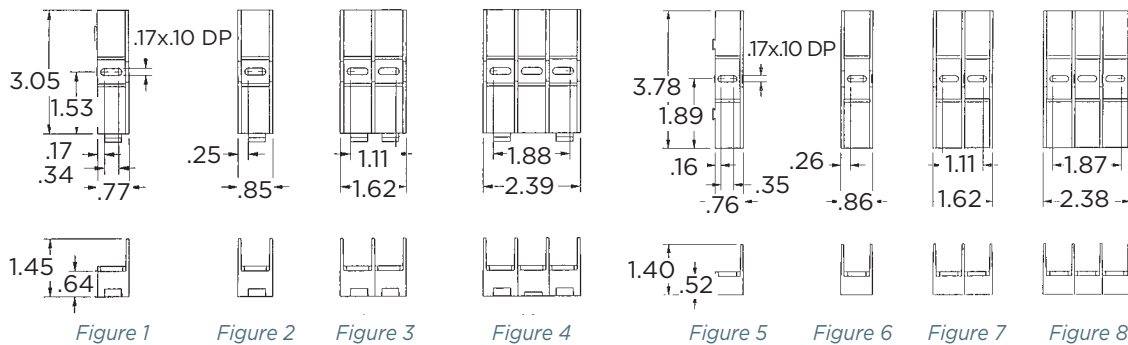
- UL Listed guide IZLT, File E52283
- CSA Certified class 6225, File 32169



600 VOLT, 15 & 20 AMPERE; 480 VOLT 30 & 60 AMPERE CLASS G FUSE BLOCKS

| Ampere Rating | Poles | Connector Type | Wire Range | Catalog No. | Fig. | Torque (In - Lbs) |
|-------------------|-------|--|-------------|-------------|------|-------------------|
| 15 GFPC Insulator | ADDER | Screw w Double Quick Connects at Both Ends | Cu #10-14 | 40110G | 1 | 20 |
| | 1 | | | 40111G | 2 | |
| | 2 | | | 40112G | 3 | |
| | 3 | | | 40113G | 4 | |
| | ADDER | Pressure Plate (SEMS) w Double Quick Connects at Both Ends | Cu #10-14 | 40120G | 1 | 20 |
| | 1 | | | 40121G | 2 | |
| | 2 | | | 40122G | 3 | |
| | 3 | | | 40123G | 4 | |
| 20 GFPC Insulator | ADDER | Screw w Double Quick Connects at Both Ends | Cu #10-14 | 40210G | 1 | 20 |
| | 1 | | | 40211G | 2 | |
| | 2 | | | 40212G | 3 | |
| | 3 | | | 40213G | 4 | |
| | ADDER | Pressure Plate (SEMS) w Double Quick Connects at Both Ends | Cu #10-14 | 40220G | 1 | 20 |
| | 1 | | | 40221G | 2 | |
| | 2 | | | 40222G | 3 | |
| | 3 | | | 40223G | 4 | |
| 30 GFPC Insulator | ADDER | Screw w Double Quick Connects at Both Ends | Cu #10-14 | 40310G | 1 | 20 |
| | 1 | | | 40311G | 2 | |
| | 2 | | | 40312G | 3 | |
| | 3 | | | 40313G | 4 | |
| | ADDER | Pressure Plate (SEMS) w Double Quick Connects at Both Ends | Cu #10-14 | 40320G | 1 | 20 |
| | 1 | | | 40321G | 2 | |
| | 2 | | | 40322G | 3 | |
| | 3 | | | 40323G | 4 | |
| | ADDER | Copper Box | Cu #6-14 | 40350G | 1 | 35 |
| | 1 | | | 40351G | 2 | |
| | 2 | | | 40352G | 3 | |
| | 3 | | | 40353G | 4 | |
| 60 GFPC Insulator | ADDER | Aluminum Box | Al/Cu #2-14 | 40605G | 5 | 45 |
| | 1 | | | 40606G | 6 | |
| | 2 | | | 40607G | 7 | |
| | 3 | | | 40608G | 8 | |
| | ADDER | Copper Box | Cu #4-14 | 40655G | 5 | 45 |
| | 1 | | | 40656G | 6 | |
| | 2 | | | 40657G | 7 | |
| | 3 | | | 40658G | 8 | |

DIMENSIONS



© 2025 Mersen. All rights reserved. Mersen reserves the right to change, update, or correct, without notice, any information contained in this datasheet.

FEB, FEC, FEG, FEX, FEY

600 Volt In-Line Fuse Holders

FUSE BLOCKS & HOLDERS



Mersen's complete line of single and dual pole in-line fuse holders accommodate either 1-1/2" x 13/32" (10 x 38 mm) midget or Class CC fuses. The fuse holders are designed for quick installation. Securing nuts or screws are captive thus speeding installation by reducing the need to locate and assemble loose components in the field. Three internal O-rings per pole seal the fuse holder providing a water-resistant compartment for the fuse. The captive O-rings are colored (blue for single pole and red for dual pole) for quick detection. Optional cone shaped insulator boots can be slipped on to provide a watertight seal (breakaway versions come with boots standard). Both single and dual pole versions have an optional breakaway feature which safely disconnects the load in case of a pole knockdown. Fuses remain safely encapsulated within the watertight fuse holder on the load side. Once the pole has been reinstalled the fuse holder can be easily reconnected.

RECOMMENDED FUSE USAGE:

FEB and FEX holders use with:

Midget (1-1/2" x 13/32", 10 x 38 mm): ATQ, ATM, TRM, OTM, GGU, GFN, A13X-2, A25Z-2, A60Q-2, A6Y-2B

FEC and FEY holders use with: Class CC: ATDR, ATMR, ATQR

FEG holders use with: Class G: AG35-60A

RATINGS:

- **Volts:** 600VAC / DC
- **Amps:** 30A Maximum, 60A FEG Series
- **SCCR:** 200kA (Class CC Fuses); 100kA (Midget Fuses)
- **Temperature Rating:** 155°C

APPLICATIONS:

- Street lighting
- Parking lot lighting
- Traffic signaling
- Sports lighting
- Boats and marinas
- Humid/corrosive environments

APPROVALS:

- UL Listed Class CC Guide IZLT, File E52283
- UL Recognized Component Midget Guide IZLT2, File E52283
- CSA Certified Class CC and Midget Class 6225, File 32169



HIGHLIGHTS:

- Breakaway version quickly disconnects line side during pole knockdown in compliance with state and federal highway commission standards
- 3 O-rings per pole for water tight applications
- Colored O-rings for quick detection
- Single and dual poles
- Accepts midget or Class CC fuses
- Wide assortment of terminal variations
- High heat, impact resistant insulator
- Captive nut or screw for quick installations
- Polarized dual pole provides simultaneous disconnection
- Permanently installed neutral versions quickly identified by white nuts
- Tulip fuse clip for improved contact and low losses
- Environmentally friendly-no lead solder used
- Highly visible catalog number even with insulation boots installed
- Wire gauge size identified on insulation boots for quick, accurate trimming
- Time delay for motor starting and transformer inrush

CATALOG NUMBERING SYSTEM

| Family | Load Terminal | Line Terminal | Option |
|--------|---------------|---------------|--------|
| FEB- | 1 | 1 | -BA |

NOMENCLATURE LEGEND

| Family | Description |
|--------|----------------------|
| FEB | Single pole midget |
| FEC | Single pole Class CC |
| FEX | Dual Pole midget |
| FEY | Dual pole Class CC |
| FEBN | Single pole neutral |
| FEG | Single pole Class G |

Notes:

1. Non-breakaway units do not include insulator boots. These optional cone shaped boots are available to provide a watertight installation. The insulator boots are designed to form a watertight seal over conductors, but due to varying wire insulation sizes it is suggested that tape wrap be utilized for best results.
FSB1 = Single conductor boot (used to cover all crimp type & single set screw terminals)
FSB2 = Double conductor boot (used to cover all double set screw (Y-type) terminals)
Insulator boot trimming instructions: Locate wire gage size to be utilized marking on the boot and cut just beneath it.
2. Tightening torque for single and double set screw terminations: 35 lbs.-in.
3. Tightening torque for dual pole fastening screw: 10-15 lbs.-in.
4. FEBN versions have a permanently mounted dummy fuse for neutral applications.
5. *FEG-21-21 accepts only the #6 stranded and solid wires. It is not designed to accept #4 or #10 wires.

| Terminal End View | Terminal | Load or Line Terminal Type | | | | | Option Description | |
|-------------------|----------|----------------------------|---------------------|-------------------|-------------|-------------------|--------------------|---|
| | | Terminal | Type | Wire | No. Per | Solid | | Stranded |
| | 11 | | Cu Crimp | #8-#12 #12-#14 | 1 2 | Yes Yes | Yes Yes | BA (breakaway version equipped with breakaway stud, breakaway boot, and insulating boots for both line and load sides) |
| | 21* | | Cu Crimp | #10 #6 #4 | 2 1 1 | Yes Yes Yes | Yes Yes No | |
| | 31 | | Cu Crimp | #10 #4 | 2 1 | Yes No | Yes Yes | |
| | 41 | | Cu Crimp | #6 #2 | 2 1 | Yes No | Yes Yes | |
| | 81 | | Cu single Set Screw | #2-#12 | 1 | Yes | Yes | |
| | 91 | | Cu Double Set Screw | #2-#12 | 1 each | Yes | Yes | |
| | 82 | | Al single Set Screw | #2-#12 | 1 | Yes | Yes | |
| | 92 | | Al double Set Screw | #2-#12 | 1 each | Yes | Yes | |
| | S | | Cu Stud | N/A | 1 | N/A | N/A | |

© 2025 Mersen. All rights reserved. Mersen reserves the right to change, update, or correct, without notice, any information contained in this datasheet.

MERSEN IN-LINE FUSE HOLDER FAMILY - TYPICAL COMBINATION CHART

| Midget 10x38mm | Midget 10x38mm Breakaway | Class CC | Class CC Breakaway | Midget 10x38mm Dual Pole | Midget 10x38mm Dual Pole Breakaway | Class CC Dual Pole | Class CC Dual Pole Breakaway | Class G |
|----------------|--------------------------|-----------|--------------------|--------------------------|------------------------------------|--------------------|------------------------------|-----------|
| FEB-11-11 | FEB-11-11-BA | FEC-11-11 | FEC-11-11-BA | FEX-11-11 | FEX-11-11-BA | FEY-11-11 | FEY-11-11-BA | |
| FEB-11-21 | FEB-11-21-BA | FEC-11-21 | FEC-11-21-BA | FEX-11-21 | FEX-11-21-BA | FEY-11-21 | FEY-11-21-BA | FEG 21-21 |
| FEB-11-31 | | | | FEX-11-31 | | FEY-11-31 | | |
| FEB-11-41 | FEB-11-41-BA | | | FEX-11-41 | FEX-11-41-BA | FEY-11-41 | | |
| | FEB-11-81-BA | | | | | | | |
| FEB-11-82 | FEB-11-82-BA | | | | | | | |
| FEB-11-91 | FEB-11-91-BA | FEC-11-91 | FEC-11-91-BA | | | | FEY-11-91-BA | |
| FEB-11-92 | FEB-11-92-BA | | | | | | | |
| FEB-11-S | | | | | | | | |
| FEB-21-11 | | | | | | | | |
| FEB-21-21 | FEB-21-21-BA | FEC-21-21 | FEC-21-21-BA | FEX-21-21 | FEX-21-21-BA | FEY-21-21 | FEY-21-21-BA | |
| FEB-21-91 | FEB-21-91-BA | | | | | | | |
| FEB-31-31 | FEB-31-31-BA | | | | | | | |
| FEB-41-41 | FEB-41-41-BA | | | | | | | |
| FEB-81-81 | FEB-81-81-BA | FEC-81-81 | FEC-81-81-BA | FEX-81-81 | FEX-81-81-BA | | FEY-81-81-BA | |
| FEB-81-91 | FEB-81-91-BA | | | FEX-81-91 | FEX-81-91-BA | FEY-81-91 | | |
| FEB-81-S | | | | | | | | |
| FEB-82-82 | FEB-82-82-BA | | | | | | | |
| FEB-82-92 | FEB-82-92-BA | | | | | | | |
| | FEB-91-91-BA | | | | FEX-91-91-BA | | | |
| FEBN-11-11 | FEBN-11-11-BA | | | | | | | |
| FEBN-11-91 | FEBN-11-91-BA | | | | | | | |
| FEBN-81-81 | FEBN-81-81-BA | | | | | | | |
| FEB-SS | | | | | | | | |

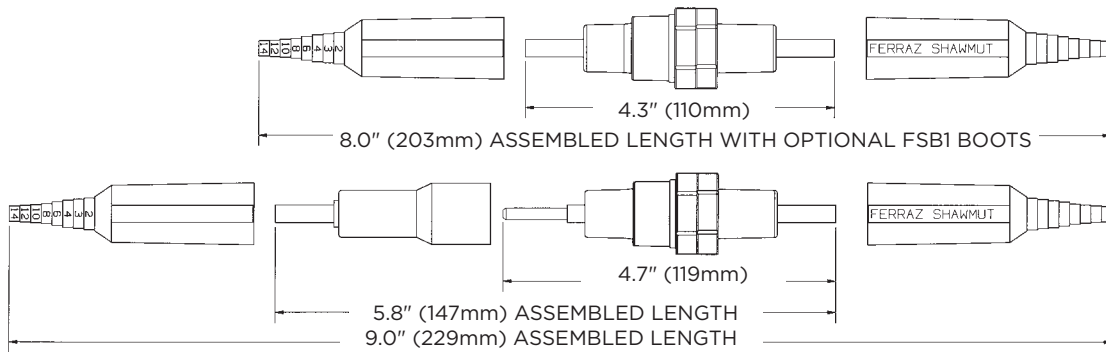
Note: Consult factory for other configurations.

CRIMPING TOOLS REFERENCE CHART, THE FOLLOWING CRIMPING TOOLS (OR EQUIVALENT) ARE RECOMMENDED:

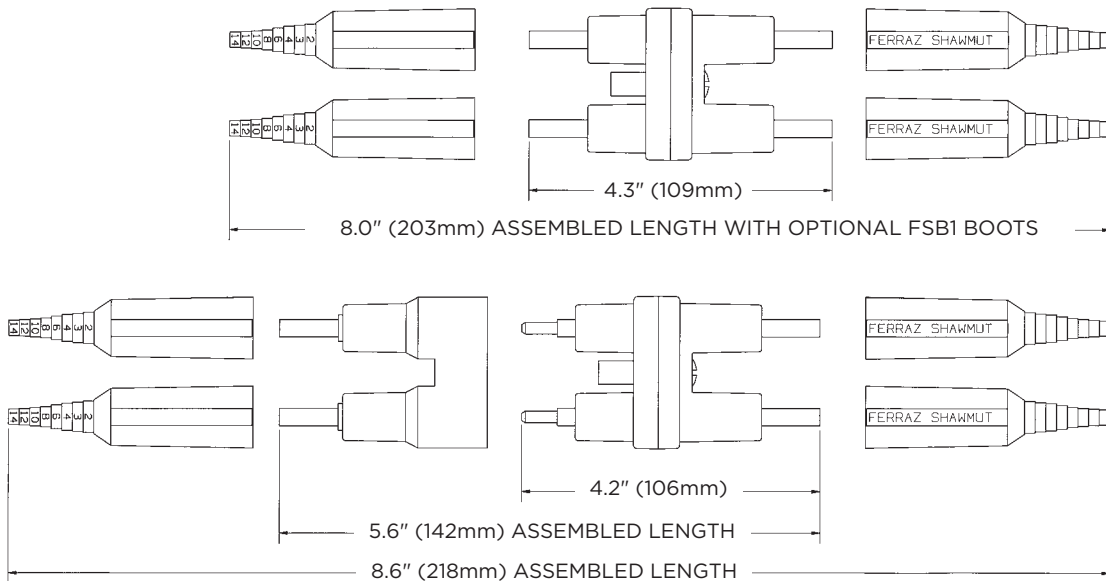
| Terminal Type | FCI-Burndy | T&B |
|---------------|------------|-------------------------------------|
| 1 | Y8MRB-1 | WT-111M |
| 2 | Y2MR | TBM2/TBM5 BLUE DIE, WT-115-A DIE O |
| 3 | Y2MR | TBM2/TBM5 GREY DIE, WT-115-A DIE E |
| 4 | Y2MR | TBM2/TBM5 BROWN DIE, WT-115-A DIE F |

© 2025 Mersen. All rights reserved. Mersen reserves the right to change, update, or correct, without notice, any information contained in this datasheet.

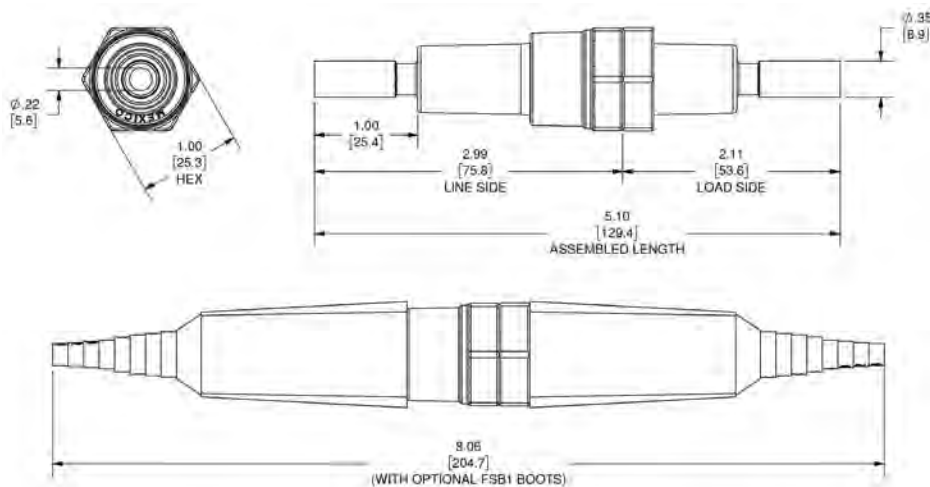
FEB AND FEC, NON-BREAKAWAY AND BREAKAWAY ASSEMBLY DRAWINGS



FEX AND FEY, NON-BREAKAWAY AND BREAKAWAY ASSEMBLY DRAWINGS



FEG NON-BREAKAWAY AND BREAKAWAY ASSEMBLY DRAWINGS



© 2025 Mersen. All rights reserved. Mersen reserves the right to change, update, or correct, without notice, any information contained in this datasheet.

HP15FHP80

HelioProtection® Fuse Holders for PV Applications

FUSE BLOCKS & HOLDERS

UP TO 80A FOR USE IN HIGHER AMPERAGE PV SYSTEMS



Mersen's 1500VDC HelioProtection fuse holders for 20x65mm PV fuses introduce the next level of safety for higher amperage utility-scale photovoltaic applications. The HP15FHP80 fuse holders are finger safe (IP20 ingress protection rated) and feature a rotating fuse carrier like the Mersen UltraSafe® fuse holders.

The HP15FHP80 series offers two configurations to fulfill global market requirements. One configuration offers input and output terminals that accept standard PV rated wiring and comb bus bars, providing added versatility for end-use installations. The second accepts wire and bus bar terminations. The body features a high performance UL 94 V-0 rated polymer material, providing superior flammability rating, with exceptional durability and dielectric withstand properties.

| Technical Data Overview | |
|-------------------------------------|------------------|
| Volts | 1500VDC Maximum |
| Amps | 80A Maximum |
| Short-Circuit Current Rating (SCCR) | 50kA DC |
| Operating Temperature | -40 to +125°C |
| Required terminal torque | 22 in-lbs/2.5N-m |

FEATURES/BENEFITS

- Terminations
 - HP15FHP80W:** Wire/Wire
 - HP15FHP80B:** Wire/Bus Bar
- Clamping:
 - HP15FHP80W:** Screw clamp
 - HP15FHP80B:** Patented Bus Bar clamp
- UL 94 V-0 rated
- Use with PV-rated copper wire
 - Wire range: #1-14 AWG CU/AL
- IP20 rated (finger safe)
- 35 mm DIN Rail Mounting
- Lock Out/Tag Out feature
- Accepts Mersen HP15P 20x65mm PV fuses
- Front loading of the fuse allows for ease of installation and removal of fuse
- Fuse stabilization feature allows inverted mounting
- Fuse door handle designed with ergonomic grip
- Molded standoffs allow increased air circulation in panel applications

APPLICATIONS

- All photovoltaic applications
- PV string/array level protection
- Combiner box applications
- In-line PV module protection
- Inverters
- Battery charge controllers
- 1500VDC Combiner Boxes

APPROVALS/STANDARDS

- | | |
|--|---|
| <p>HP15FHP80W:</p> <ul style="list-style-type: none"> UL 4248-19 Listed IEC 60269-1 UKCA | <p>HP15FHP80B:</p> <ul style="list-style-type: none"> UL Recognized Component, evaluated to UL 4248-19 IEC 60269-1 UKCA |
|--|---|



© 2025 Mersen. All rights reserved. Mersen reserves the right to change, update, or correct, without notice, any information contained in this datasheet.

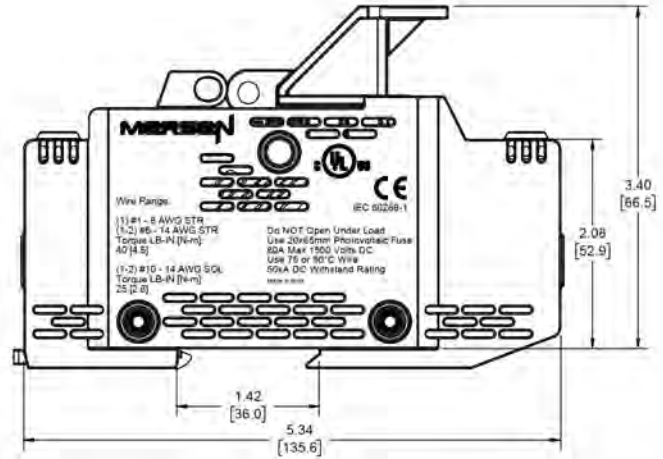
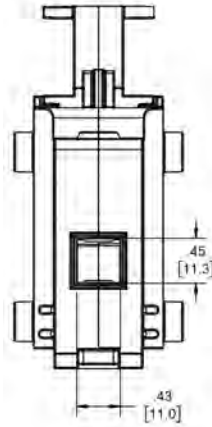
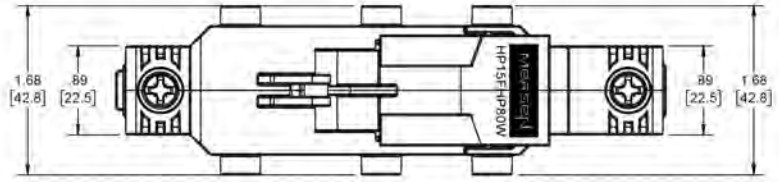
HP15FHP80

HelioProtection® Fuse Holders for PV Applications

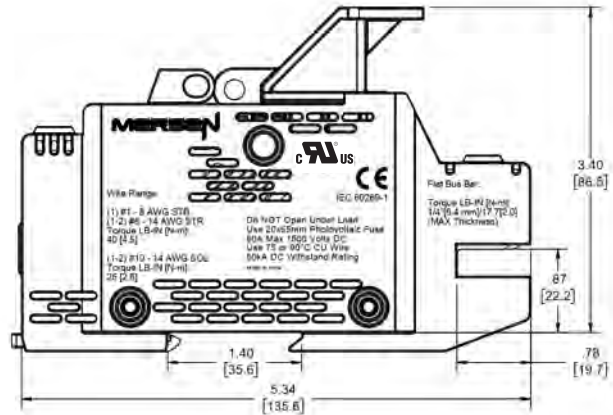
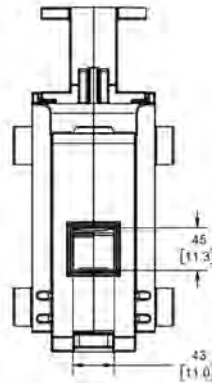
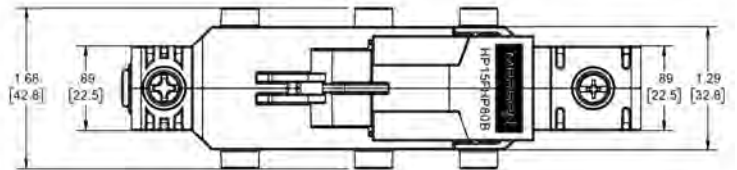
FUSE BLOCKS
& HOLDERS

DIMENSIONS (MM):

HP15FHP80W (Wire/Wire)



HP15FHP80B (Wire/Bus Bar)



HPJ

1000VDC Class J Open Style Fuse Holders

FUSE BLOCKS & HOLDERS

MERSEN PV APPROVED CLASS J FUSE HOLDERS FOR USE WITH CLASS J PHOTOVOLTAIC FUSES



Designed specifically for Mersen’s HP6J and HP10J series of photovoltaic fuses, Mersen’s HPJ fuse holders are certified for use with 90°C temperature rated conductors, an industry first. Fuse holders are available with box connectors, stud connectors or a combination of the two in order to meet various customer requirements. Insulators are either molded glass-filled polycarbonate or phenolic with verified dielectric strength in excess of 2500V. All fuse clips are made of high conductivity tin-plated copper.

CATALOG NUMBERS

| Ampere Rating | Clip Configuration | Wire Range | Wire Type | Stud Type | Catalog Number | Temperature Rating of Wire Terminal |
|--|--------------------|-------------------|-----------|-----------|----------------|-------------------------------------|
| BOX TO BOX TERMINAL CONFIGURATION, 1-POLE | | | | | | |
| 100 | In-line | 2/0 - #6 | Cu | – | 61006HPJ | 90°C |
| 200 | Side | 350kcmil - #6 | Al/Cu | – | 62001HPJ | |
| 400 | In-line | {2} 350kcmil - #6 | | – | 64031HPJ | |
| BOX TO STUD TERMINAL CONFIGURATION, 1-POLE | | | | | | |
| 100 | In-line | 2/0 - #6 | Cu | 1/4-20 | 61041HPJ | 90°C |
| 200 | Side | 350kcmil - #6 | Al/Cu | 5/16-18 | 62041HPJ | |
| 400 | In-line | {2} 350kcmil - #6 | | 3/8-16 | 64041HPJ | |
| STUD TO STUD TERMINAL CONFIGURATION, 1-POLE | | | | | | |
| 100 | In-line | – | Al/Cu | 1/4-20 | 61016HPJ | N/A |
| 200 | Side | – | | 5/16-18 | 62011HPJ | |
| 400 | In-line | – | | 3/8-16 | 64011HPJ | |

RATINGS:

- **Volts:** 1000VDC
- **Amps:** 100A, 200A, 400A
- **SCCR:** 100kA

FEATURES/BENEFITS:

- UL approved for use with 90°C temperature rated conductors
Box and/or stud wire terminals available
- UL Listed to UL’s standard for photovoltaic fuse holders

APPLICATIONS:

- Re-combiner box (sub-combiner, array combiner, master combiner) applications
- Inverter DC input
- Battery charge controllers

RECOMMENDED FUSE USAGE:

- Mersen HP6J series HeliProtection photovoltaic fuses

APPROVALS:

- UL listed to Standard 2579 File E333668 (70A to 600A)
- CSA Component Certified C22.2



© 2025 Mersen. All rights reserved. Mersen reserves the right to change, update, or correct, without notice, any information contained in this datasheet.

CLIP & CONNECTOR TYPES

DIMENSIONS*

| 100A | | 100A | |
|----------------|--|------|--|
| Box Connector | | | |
| Stud Connector | | | |
| 200A | | 200A | |
| Box Connector | | | |
| Stud Connector | | | |
| 400A | | 400A | |
| Box Connector | | | |
| Stud Connector | | | |

*Box to Stud Terminal configuration shown for reference only. Also available in box-box and stud-stud terminal configurations.

© 2025 Mersen. All rights reserved. Mersen reserves the right to change, update, or correct, without notice, any information contained in this datasheet.

HP15FHM32 & US15M1HEL

HelioProtection® Fuse Holders for PV Applications

FUSE BLOCKS & HOLDERS

TOUCH-SAFE DESIGN INCREASES USER SAFETY



Mersen's 1500VDC HelioProtection fuse holders for 10/14x85mm gPV fuses introduce the next level of safety for Utility scale photovoltaic applications. The HP15FHM32 fuse holders are also IP20 finger safe, with a rotating fuse carrier like the Mersen UltraSafe® fuse holders. The US15M1HEL fuse holders are finger safe up to an IP20 grade of protection, and feature a pull out, pivoting fuse carrier. All bodies feature high performance UL 94 V-0 rated polymer material, providing superior flammability rating, with exceptional durability and dielectric withstand properties.

The HP15FHM32 series input and output terminals accept standard PV rated wiring and comb bus bars, providing added versatility for end-use installations.

The US15M1HEL is designed with terminals to accept standard stock bus bar eliminating the need for custom combed bus bar, saving cost, time and simplifying installation.

Technical Data Overview: HP15FHM32 and US15M1HEL

| | |
|-------------------------------------|-----------------|
| Volts | 1500VDC Maximum |
| Amps | 32ADC Maximum |
| Short-Circuit Current Rating (SCCR) | 50kA DC |
| Operating Temperature | -40 to +125°C |

FEATURES/BENEFITS

- UL 94 V-0 Material Flammability Rating
- IP20 rated (finger safe)
- 35 mm DIN Rail Mounting
- Accepts 10/14 x 85mm gPV fuses

APPLICATIONS

- All Utility scale photovoltaic applications
- 1500VDC Combiner Boxes

APPROVALS/STANDARDS

HP15FHM32:

- UL 4248-19
- File# E347822, CSA 22.2
- File# 032169, IEC 60269-2



USM15M1HEL

- UL Recognized Component, evaluated to UL 4248-19 File# E493746
- CSA 22.2 CSA 22.2 Component File# 265616



HP15FHM32: ADDITIONAL FEATURES/BENEFITS:

- Wire in/out terminals
- Clamping:
 - HP15FHM32A: Screw clamp, #2 combo head
 - HP15FHM32B: tool-less spring clamp (screw-less, spring pressure, wire termination technology)
- Use with PV-rated copper wire
- Wire range:
 - HP15FHM32A: 1X #4 - #14 AWG (25 - 2.5 mm²); 2X #8 - 18 AWG (10 - 0.75 mm²)
 - HP15FHM32B: 1X #6 - #14 AWG (18 - 2.6 mm²); 2X #10-14 AWG (8 - 2.5 mm²)
- Required terminal torque (HP15FHM32A only): 22 in-lb/2.5N-m
- Lock Out/Tag Out feature
- Area for customer-applied labeling
- Digital Multimeter (DMM) probe access
- Accepts 10/14 x 85mm gPV fuses
- Recommended gPV fuses: HP15M
- Front loading of the fuse - allows for ease of installation and removal of fuse
- Recommended strip length: 14 mm (0.55")

US15M1HEL: ADDITIONAL FEATURES/BENEFITS:

- Bus bar termination clamp
- Wire terminal for use with 90°C wire
- Wire range: 6-14 stranded, 10-14 solid. Copper wire only.
- Recommended fuse usage: HP15M
- Recommended strip length: 14 mm (0.55")

DISCLAIMER:

- Electrical spacings must adhere to the equipment specifications where the product is deployed.
- End-use temperature testing is mandatory.
- Evaluation of the number of fuse holders connected to the bus bar and their mounting techniques will be conducted in the final application assessment.

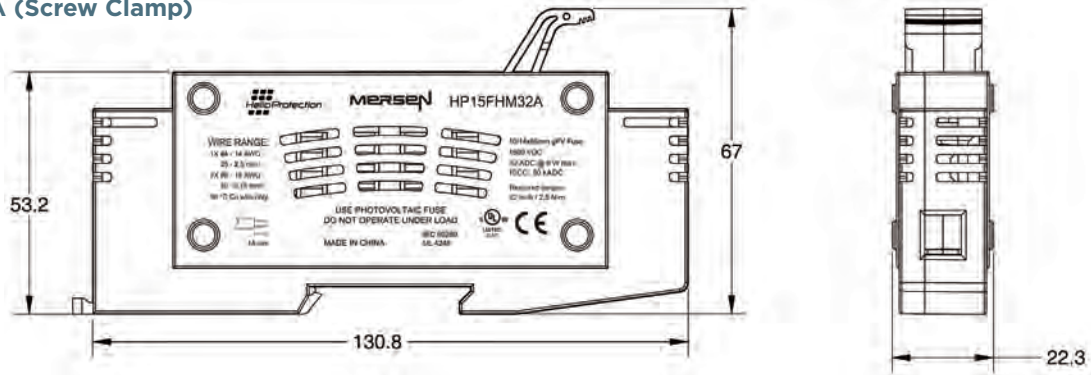
HP15FHM32 & US15M1HEL

HelioProtection® Fuse Holders for PV Applications

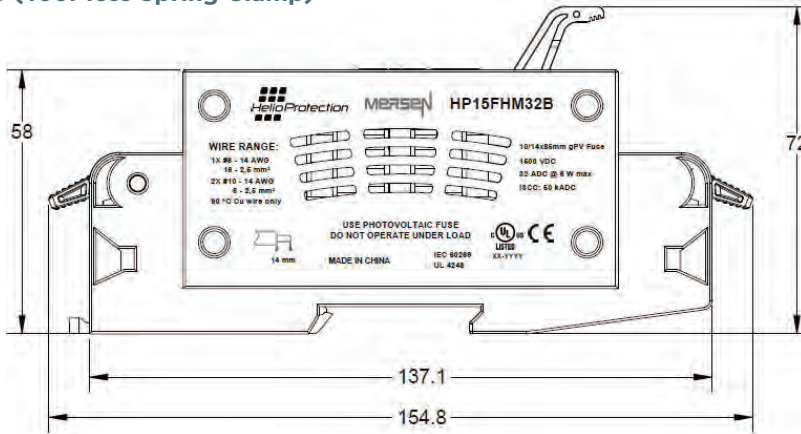
FUSE BLOCKS & HOLDERS

DIMENSIONS (MM):

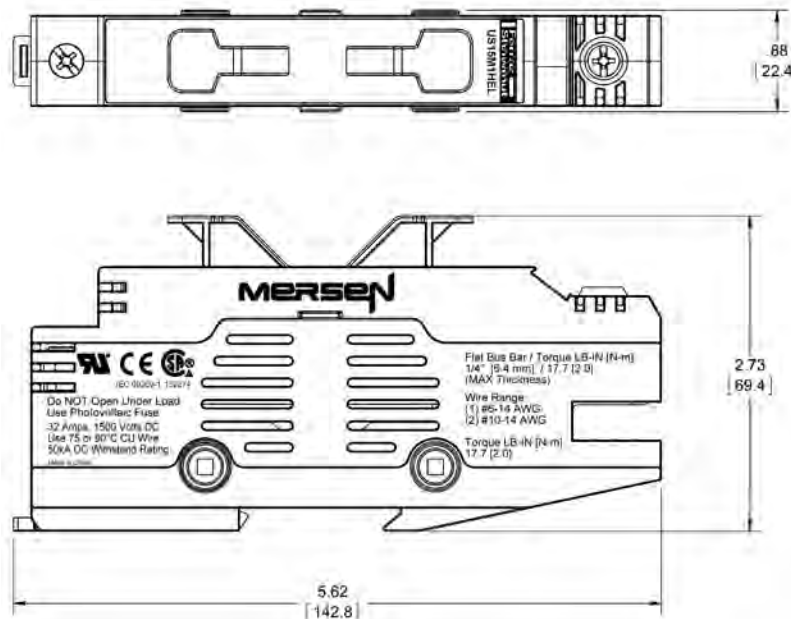
HP15FHM32A (Screw Clamp)



HP15FHM32B (Tool-less Spring Clamp)



US15M1HEL



© 2025 Mersen. All rights reserved. Mersen reserves the right to change, update, or correct, without notice, any information contained in this datasheet.

HPBB

1000V DC Size NH Open Style Fuse Blocks

FUSE BLOCKS & HOLDERS

MERSEN SIZE NH FUSE BLOCKS FOR USE WITH HP10NH HELIOPROTECTION® PHOTOVOLTAIC SERIES FUSES

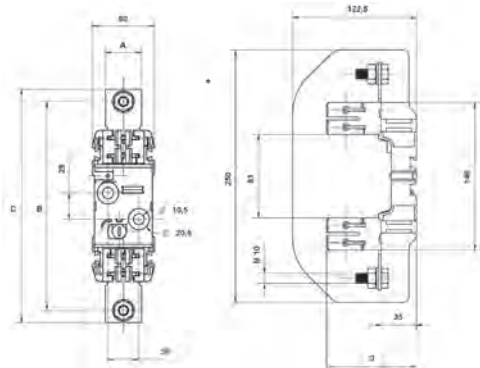


1000VDC rated and designed specifically for Mersen's HP10NH series of photovoltaic fuses. These polyester fuse blocks are available in single pole configurations with or without finger-safe covers. Fuse blocks come standard with M10 stud connectors for ease of wire termination. All fuse clips are silver-plated copper and fuse clips are spring re-enforced for superior conductivity. Select Mersen's brand of innovative HeliProtection® products to meet your stringent photovoltaic application requirements.

CATALOG NUMBERS - FUSE BLOCK

| Catalog Number | Reference Number | No. of Poles | For use with | Description |
|----------------|------------------|--------------|--------------|----------------------------------|
| HPBB11PPR | A1030607 | 1 | NH1 | Open Style |
| HPBB11PPRFS | K1032916 | | | Open Style with Protective Cover |
| HPBB21PPR | C1037509 | 1 | NH2 | Open Style |
| HPBB21PPRFS | D1037510 | | | Open Style with Protective Cover |

DIMENSIONS (MM)



*87mm for base with protective cover

M10 torque recommendation:
230 in-lbs (26 Nm)

| Size | NH1 | NH2 |
|------|-----|-----|
| A | 32 | 35 |
| B | 176 | 201 |
| C | 209 | 225 |
| D | 80 | 89 |

RATINGS:

- **Volts:** 1000VDC
- **Amps:** 315A max
- **SCCR:** 50kA

FEATURES:

- 1000VDC rated
- Polyester insulating base
- Silver plated contacts
- M10 stud wire terminals
- Optional finger-safe covers
- DIN-rail or screw mounting

APPLICATIONS:

- Re-combiner box (sub-combiner, array combiner, master combiner) applications
- Inverter DC input
- Battery charge controllers

RECOMMENDED FUSE USAGE:

Mersen HP10NH series
HeliProtection Photovoltaic
Fuses

APPROVALS:

- IEC 60269-2-1 Certification
- Pending: UL Listed to Standard 4248-18, File E347822



9F61 EK-1 Indoor Support

Medium Voltage Fuse Holders & Clips

FUSE BLOCKS & HOLDERS

TYPE EK 9F61 SERIES: FUSE SUPPORTS FROM 2.4KV TO 25.8KV



Fuse supports, non-disconnecting, are used primarily in potential transformer circuits, or where there is some other disconnecting or isolating device in series with the fuse in the circuit. Disconnecting switch devices have the additional feature of serving to isolate the equipment they protect. It should be noted that disconnecting switches are not load-breaking devices, therefore, the circuit must be open prior to the fuse disconnection. Select either a fuse support or a disconnecting switch for each fuse. Fuse supports and disconnecting switches include live parts for both ends. Both fuse supports and fuse disconnect switches can be mounted vertically or horizontally. The type EK are used for indoor installations while the type EKO are used outdoors.

For detailed information regarding these fuse supports and disconnecting switches such as storage, mounting and maintenance, please refer to INST-EK39196 available on our website at ep.mersen.com or ask your sales representative for a hard copy.

Indoor:

Fuse supports: EK-1

Fuse disconnect switches:
. EK-3

Outdoor:

Fuse supports: EKO-1

Fuse disconnect switches:
. EKO-3

The letter suffix following the (-1) or the (-3) shows the fuse size.

When selecting a mounting for a current-limiting fuse, it is necessary that the clip centers and size agree with the fuse selected.

| Fuse Size | Ferrule Diameter |
|-----------|-------------------------|
| B | 1-9/16 inches |
| C | 2 inches |
| D | 3 inches |
| DD | Two-3 inch in parallel |
| DDDD | Four-3 inch in parallel |
| EE | Two-4 inch in parallel |

© 2025 Mersen. All rights reserved. Mersen reserves the right to change, update, or correct, without notice, any information contained in this datasheet.

9F61 EK-1 Indoor Support

Medium Voltage Fuse Holders & Clips

FUSE BLOCKS
& HOLDERS

FUSE SUPPORT - EK-1 INDOOR



EK-1B



EK-1C



EK-1D



EK-1DD



EK-1EE



EK-1DDDD

Refer to drawings for specific dimensions.

| Catalog No. | Max. kV | Ferrule Size/ Diam. | Clip Centers | Spare Parts (Live Parts) | Spare Parts (Clips) | Insulator Rating - Class/NEMA Nominal Sys. (kV) | Insulator Rating - BIL (kV) | Insulator Rating - Class/NEMA Tech Ref. |
|-------------|----------|------------------------|-----------------|---|---------------------|---|--------------------------------|---|
| 9F61ABB101 | 2.75/5.5 | B/1.56" | 8.12" | 9F61BNW450 | 9F61BWW460 | 4.8 | 60 | A-20 |
| 9F61ABG101 | 8.25 | B/1.56" | 8.12" | 9F61BNW450 | 9F61BWW460 | 13.8 | 95 | A-20 |
| 9F61ADG101 | 15.5 | B/1.56" | 11.5" | 9F61BNW450 | 9F61BWW460 | 13.8 | 95 | A-20 |
| 9F61ADJ101 | 15.5 | B/1.56" | 11.5" | 9F61BNW450 | 9F61BWW460 | 14.4 | 110 | A-20 |
| 9F61AAB201 | 2.75 | C/2.00" | 7" | 9F61BNW451 | 9F61BWW457 | 4.8 | 60 | A-20 |
| 9F61ACB201 | 5.5 | C/2.00" | 9" | 9F61BNW451 | 9F61BWW457 | 4.8 | 60 | A-20 |
| 9F61AEG201 | 15.5 | C/2.00" | 12" | 9F61BNW451 | 9F61BWW457 | 13.8 | 95 | A-20 |
| 9F61AGG201 | 15.5 | C/2.00" | 15" | 9F61BNW451 | 9F61BWW457 | 13.8 | 95 | A-20 |
| 9F61AGJ201 | 15.5 | C/2.00" | 15" | 9F61BNW451 | 9F61BWW457 | 14.4 | 110 | A-20 |
| 9F61AHM201 | 25.8 | C/2.00" | 21" | 9F61BNW743 | 9F61BWW457 | 23 | 150 | A-30 |
| 9F61AAB301 | 2.75 | D/3.00" | 7" | 9F61BNW750 | 9F61BWW459 | 4.8 | 60 | A-20 |
| 9F61AEB301 | 2.75/5.5 | D/3.00" | 12" | 9F61BNW750 | 9F61BWW459 | 4.8 | 60 | A-20 |
| 9F61AEG301 | 8.25 | D/3.00" | 12" | 9F61BNW750 | 9F61BWW459 | 13.8 | 95 | A-20 |
| 9F61AGG301 | 15.5 | D/3.00" | 15" | 9F61BNW750 | 9F61BWW459 | 13.8 | 95 | A-20 |
| 9F61AGJ301 | 15.5 | D/3.00" | 15" | 9F61BNW750 | 9F61BWW459 | 14.4 | 110 | A-20 |
| 9F61AHM301 | 25.8 | D/3.00" | 21" | 9F61BNW744 | 9F61BWW459 | 23 | 150 | A-30 |
| 9F61AEB401 | 2.75/5.5 | DD/3.00" | 12" | 9F61BNW751 | - | 4.8 | 60 | A-20 |
| 9F61AEG401 | 8.25 | DD/3.00" | 12" | 9F61BNW751 | - | 13.8 | 95 | A-20 |
| 9F61AGG401 | 15.5 | DD/3.00" | 15" | 9F61BNW751 | - | 13.8 | 95 | A-20 |
| 9F61AGJ401 | 15.5 | DD/3.00" | 15" | 9F61BNW751 | - | 14.4 | 110 | A-20 |
| 9F61AHM401 | 25.8 | DD/3.00" | 21" | 9F61AWW738 | - | 23 | 150 | A-30 |
| 9F61AFB501 | 5.08 | EE/4.00" | 14.12" | 9F61BNW452 | - | 4.8 | 60 | A-20 |
| 9F61AHG001 | 15 | DDDD | | For Bolted-end Fuses refer to drawings. | | | 96 | |
| 9F61AKB001 | 5.5 | DDDD | | For Bolted-end Fuses refer to drawings. | | | 60 | |

© 2025 Mersen. All rights reserved. Mersen reserves the right to change, update, or correct, without notice, any information contained in this datasheet.

9F61 EK-3 Indoor Non-Load Disconnect

Medium Voltage Fuse Holders & Clips

FUSE BLOCKS & HOLDERS

TYPE EK 9F61 SERIES: FUSE DISCONNECT SWITCHES FROM 2.4KV TO 25.8KV



Fuse supports, non-disconnecting, are used primarily in potential transformer circuits, or where there is some other disconnecting or isolating device in series with the fuse in the circuit. Disconnecting switch devices have the additional feature of serving to isolate the equipment they protect. It should be noted that disconnecting switches are not load-breaking devices, therefore, the circuit must be open prior to the fuse disconnection. Select either a fuse support or a disconnecting switch for each fuse. Fuse supports and disconnecting switches include live parts for both ends. Both fuse supports and fuse disconnect switches can be mounted vertically or horizontally. The type EK are used for indoor installations while the type EKO are used outdoors.

For detailed information regarding these fuse supports and disconnecting switches such as storage, mounting and maintenance, please refer to INST-EK39196 available on our website at ep.mersen.com or ask your sales representative for a hard copy.

Indoor:

Fuse supports: EK-1

Fuse disconnect switches:
. EK-3

Outdoor:

Fuse supports: EKO-1

Fuse disconnect switches:
. EKO-3

The letter suffix following the (-1) or the (-3) shows the fuse size.

When selecting a mounting for a current-limiting fuse, it is necessary that the clip centers and size agree with the fuse selected.

| Fuse Size | Ferrule Diameter |
|-----------|-------------------------|
| B | 1-9/16 inches |
| C | 2 inches |
| D | 3 inches |
| DD | Two-3 inch in parallel |
| DDDD | Four-3 inch in parallel |
| EE | Two-4 inch in parallel |

© 2025 Mersen. All rights reserved. Mersen reserves the right to change, update, or correct, without notice, any information contained in this datasheet.

9F61 EK-3 Indoor Non-Load Disconnect

Medium Voltage Fuse Holders & Clips

FUSE BLOCKS
& HOLDERS

DISCONNECT SWITCH - EK-3 INDOOR



EK-3C



EK-3D



EK-3DD

| Catalog No. | Max. kV | Ferrule Size/ Diam. | Clip Centers | Spare Parts (Live Parts) | Spare Parts (Clips) | Insulator Rating - Nominal Sys. (kV) | Insulator Rating - BIL (kV) | Insulator Rating - Class/NEMA Tech Ref. |
|-------------|----------|------------------------|--------------|-----------------------------|------------------------|---|--------------------------------|--|
| 9F61AAB205 | 2.75 | C/2.00" | 7" | 9F61BNW731 | 9F61BWW457 | 4.8 | 60 | A-20 |
| 9F61ACB205 | 5.5 | C/2.00" | 9" | 9F61BNW731 | 9F61BWW457 | 4.8 | 60 | A-20 |
| 9F61AEG205 | 15.5 | C/2.00" | 12" | 9F61BNW731 | 9F61BWW457 | 13.8 | 95 | A-20 |
| 9F61AGG205 | 15.5 | C/2.00" | 15" | 9F61BNW731 | 9F61BWW457 | 13.8 | 95 | A-20 |
| 9F61AGJ205 | 15.5 | C/2.00" | 15" | 9F61BNW731 | 9F61BWW457 | 14.4 | 110 | A-20 |
| 9F61AHM205 | 25.8 | C/2.00" | 21" | 9F61BNW746 | 9F61BWW457 | 23 | 150 | A-20 |
| 9F61AAB305 | 2.75 | D/3.00" | 7" | 9F61BNW732 | 9F61BWW459 | 4.8 | 60 | A-20 |
| 9F61AEB305 | 2.75/5.5 | D/3.00" | 12" | 9F61BNW732 | 9F61BWW459 | 4.8 | 60 | A-20 |
| 9F61AEG305 | 8.25 | D/3.00" | 12" | 9F61BNW732 | 9F61BWW459 | 13.8 | 95 | A-20 |
| 9F61AGG305 | 15.5 | D/3.00" | 15" | 9F61BNW732 | 9F61BWW459 | 13.8 | 95 | A-20 |
| 9F61AGJ305 | 15.5 | D/3.00" | 15" | 9F61BNW732 | 9F61BWW459 | 14.4 | 110 | A-20 |
| 9F61AHM305 | 25.8 | D/3.00" | 21" | 9F61BNW747 | 9F61BWW459 | 23 | 150 | A-20 |
| 9F61AEB405 | 2.75/5.5 | DD/3.00" | 12" | 9F61BNW461 | - | 4.8 | 60 | A-20 |
| 9F61AEG405 | 8.25 | DD/3.00" | 12" | 9F61BNW461 | - | 13.8 | 95 | A-20 |
| 9F61AGG405 | 15.5 | DD/3.00" | 15" | 9F61BNW461 | - | 13.8 | 95 | A-20 |
| 9F61AGJ405 | 15.5 | DD/3.00" | 15" | 9F61BNW461 | - | 14.4 | 110 | A-20 |
| 9F61AHM405 | 25.8 | DD/3.00" | 21" | 9F61BNW748 | - | 23 | 150 | A-20 |

Refer to drawings for specific dimensions.

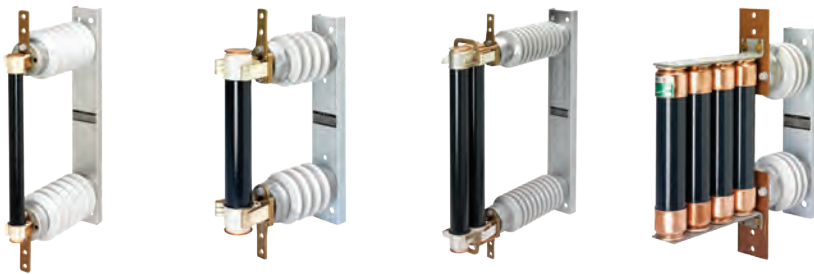
© 2025 Mersen. All rights reserved. Mersen reserves the right to change, update, or correct, without notice, any information contained in this datasheet.

9F61 EKO-1 Outdoor Support

Medium Voltage Fuse Holders & Clips

FUSE BLOCKS & HOLDERS

TYPE EK 9F61 SERIES: FUSE SUPPORTS FROM 2.4KV TO 38KV



Fuse supports, non-disconnecting, are used primarily in potential transformer circuits, or where there is some other disconnecting or isolating device in series with the fuse in the circuit. Disconnecting switch devices have the additional feature of serving to isolate the equipment they protect. It should be noted that disconnecting switches are not load-breaking devices, therefore, the circuit must be open prior to the fuse disconnection. Select either a fuse support or a disconnecting switch for each fuse. Fuse supports and disconnecting switches include live parts for both ends. Both fuse supports and fuse disconnect switches can be mounted vertically or horizontally. The type EK are used for indoor installations while the type EKO are used outdoors.

For detailed information regarding these fuse supports and disconnecting switches such as storage, mounting and maintenance, please refer to INST-EK39196 available on our website at ep.mersen.com or ask your sales representative for a hard copy.

Indoor:

Fuse supports: EK-1

Fuse disconnect switches:
. EK-3

Outdoor:

Fuse supports: EKO-1

Fuse disconnect switches:
. EKO-3

The letter suffix following the (-1) or the (-3) shows the fuse size.

When selecting a mounting for a current-limiting fuse, it is necessary that the clip centers and size agree with the fuse selected.

| Fuse Size | Ferrule Diameter |
|-----------|-------------------------|
| B | 1-9/16 inches |
| C | 2 inches |
| D | 3 inches |
| DD | Two-3 inch in parallel |
| DDDD | Four-3 inch in parallel |
| EE | Two-4 inch in parallel |

© 2025 Mersen. All rights reserved. Mersen reserves the right to change, update, or correct, without notice, any information contained in this datasheet.

9F61 EKO-1 Outdoor Support

Medium Voltage Fuse Holders & Clips

FUSE BLOCKS
& HOLDERS

FUSE SUPPORT - EKO-1 OUTDOOR



EKO-1C



EKO-1D



EKO-1DD



EKO-1DDDD

| Catalog No. | Max. kV | Ferrule Size/Diam. | Clip Centers | Spare Parts (Live Parts) | Spare Parts (Clips) | Insulator Rating - Nominal Sys. (kV) | Insulator Rating - BIL (kV) | Insulator Rating - Class/NEMA Tech Ref. |
|-------------|---------------|--------------------|---|--------------------------|---------------------|--------------------------------------|-----------------------------|---|
| 9F61CEF209 | 2.75/5.5/8.25 | C/2.00" | 12" | 9F61BNW743 | 9F61BWW457 | 7.5 | 95 | 202 |
| 9F61CGL209 | 15.5 | C/2.00" | 15" | 9F61BNW743 | 9F61BWW457 | 15 | 110 | 205 |
| 9F61CHM209 | 25.8 | C/2.00" | 21" | 9F61BNW743 | 9F61BWW457 | 23 | 150 | 208 |
| 9F61CEF309 | 2.75/5.5/8.25 | D/3.00" | 12" | 9F61BNW744 | 9F61BWW459 | 7.5 | 95 | 202 |
| 9F61CGL309 | 15.5 | D/3.00" | 15" | 9F61BNW744 | 9F61BWW459 | 15 | 110 | 205 |
| 9F61CHM309 | 25.8 | D/3.00" | 21" | 9F61BNW744 | 9F61BWW459 | 23 | 150 | 208 |
| 9F61CJN309 | 38 | D/3.00" | 27" | 9F61BNW744 | 9F61BWW459 | 34.5 | 200 | 210 |
| 9F61CEF409 | 2.75/5.5/8.25 | DD/3.00" | 12" | 9F61AWW738 | - | 7.5 | 95 | 202 |
| 9F61CGL409 | 15.5 | DD/3.00" | 15" | 9F61AWW738 | - | 15 | 110 | 205 |
| 9F61CHM409 | 25.8 | DD/3.00" | 21" | 9F61AWW738 | - | 23 | 150 | 208 |
| 9F61CJN409 | 38 | DD/3.00" | 27" | 9F61AWW738 | - | 34.5 | 200 | 210 |
| 9F61CKF009 | 5.5 | DDDD | For Bolted-end Fuses refer to drawings. | | | | | |

Refer to drawings for specific dimensions.

© 2025 Mersen. All rights reserved. Mersen reserves the right to change, update, or correct, without notice, any information contained in this datasheet.

9F61 EKO-3 Outdoor Non-Load Disconnect

Medium Voltage Fuse Holders & Clips

FUSE BLOCKS & HOLDERS

TYPE EK 9F61 SERIES: FUSE DISCONNECT SWITCHES FROM 2.4KV TO 38KV



Fuse supports, non-disconnecting, are used primarily in potential transformer circuits, or where there is some other disconnecting or isolating device in series with the fuse in the circuit. Disconnecting switch devices have the additional feature of serving to isolate the equipment they protect. It should be noted that disconnecting switches are not load-breaking devices, therefore, the circuit must be open prior to the fuse disconnection. Select either a fuse support or a disconnecting switch for each fuse. Fuse supports and disconnecting switches include live parts for both ends. Both fuse supports and fuse disconnect switches can be mounted vertically or horizontally. The type EK are used for indoor installations while the type EKO are used outdoors.

For detailed information regarding these fuse supports and disconnecting switches such as storage, mounting and maintenance, please refer to INST-EK39196 available on our website at ep.mersen.com or ask your sales representative for a hard copy.

Indoor:

Fuse supports: EK-1

Fuse disconnect switches:
. EK-3

Outdoor:

Fuse supports: EKO-1

Fuse disconnect switches:
. EKO-3

The letter suffix following the (-1) or the (-3) shows the fuse size.

When selecting a mounting for a current-limiting fuse, it is necessary that the clip centers and size agree with the fuse selected.

| Fuse Size | Ferrule Diameter |
|-----------|-------------------------|
| B | 1-9/16 inches |
| C | 2 inches |
| D | 3 inches |
| DD | Two-3 inch in parallel |
| DDDD | Four-3 inch in parallel |
| EE | Two-4 inch in parallel |

© 2025 Mersen. All rights reserved. Mersen reserves the right to change, update, or correct, without notice, any information contained in this datasheet.

9F61 EKO-3 Outdoor Non-Load Disconnect

Medium Voltage Fuse Holders & Clips

FUSE BLOCKS
& HOLDERS

DISCONNECT SWITCH - EKO-3 OUTDOOR



EKO-3C



EKO-3D Open Position



EKO-3DD

| Catalog No. | Max. kV | Ferrule Size/Diam. | Clip Centers | Spare Parts (Live Parts) | Spare Parts (Clips) | Insulator Rating - Nominal Sys. (kV) | Insulator Rating - BIL (kV) | Insulator Rating - Class/ NEMA Tech Ref. |
|-------------|---------------|--------------------|--------------|--------------------------|---------------------|--------------------------------------|-----------------------------|--|
| 9F61CEF210 | 2.75/5.5/8.25 | C/2.00" | 12" | 9F61BNW746 | 9F61BWW457 | 7.5 | 95 | 202 |
| 9F61CGL210 | 15.5 | C/2.00" | 15" | 9F61BNW746 | 9F61BWW457 | 15 | 110 | 205 |
| 9F61CGN210 | 15.5 | C/2.00" | 15" | 9F61BNW746 | 9F61BWW457 | 34.5 | 200 | 210 |
| 9F61CHM210 | 25.8 | C/2.00" | 21" | 9F61BNW746 | 9F61BWW457 | 23 | 150 | 208 |
| 9F61CEF310 | 2.75/5.5/8.25 | D/3.00" | 12" | 9F61BNW747 | 9F61BWW459 | 7.5 | 95 | 202 |
| 9F61CGL310 | 15.5 | D/3.00" | 15" | 9F61BNW747 | 9F61BWW459 | 15 | 110 | 205 |
| 9F61CHM310 | 25.8 | D/3.00" | 21" | 9F61BNW747 | 9F61BWW459 | 23 | 150 | 208 |
| 9F61CJN310 | 38 | D/3.00" | 27" | 9F61BNW747 | 9F61BWW459 | 34.5 | 200 | 210 |
| 9F61CEF410 | 2.75/5.5/8.25 | DD/3.00" | 12" | 9F61BNW748 | - | 7.5 | 95 | 202 |
| 9F61CGL410 | 15.5 | DD/3.00" | 15" | 9F61BNW748 | - | 15 | 110 | 205 |
| 9F61CHM410 | 25.8 | DD/3.00" | 21" | 9F61BNW748 | - | 23 | 150 | 208 |
| 9F61CJN410 | 38 | DD/3.00" | 27" | 9F61BNW748 | - | 34.5 | 200 | 210 |

Refer to drawings for specific dimensions.

© 2025 Mersen. All rights reserved. Mersen reserves the right to change, update, or correct, without notice, any information contained in this datasheet.

Type EK 9F61

Accessories and Spare Parts

Medium Voltage Fuse Holders & Clips

FUSE BLOCKS & HOLDERS



TYPE EK 9F61 SERIES: ACCESSORIES, LIVE PARTS, AND CLIPS

ACCESSORIES AND SPARE PARTS






Hinge Trunions and Operating Eyes for Use on Disconnecting Switches

| Fuse Size | Hinge Trunion Model No. | Operating Eye Model No. |
|----------------------|----------------------------|-------------------------|
| C | 9F61BJW397 | 9F61BFW394 |
| D | 9F61BKW398 | 9F61AWW612 |
| DD | 9F61BLW399 | 9F61AWW612 |
| EK-3C 9F61BFW394 | EK-3D and DD 9F61AWW612 | EK0-3C 9F61BJW397 |
| EK0-3D 9F61BKW398 | EK0-3DD 9F61BLW399 | |

FUSE SIZE B (FERRULE DIAMETER 1.5625")

| Fuse Supports & Disconnect Switches | Spare Live Parts(*) | Figure (Fig.) | Spare Fuse Clips(**) | Figure (Fig.) | Fuse size |
|-------------------------------------|---------------------|---|----------------------|---|-----------|
| 9F61ABB101 | 9F61BNW450 |  | 9F61BWW460 |  | B |
| 9F61ABG101 | | | | | B |
| 9F61ADG101 | | | | | B |
| 9F61ADJ101 | | | | | B |

FUSE SIZE C (FERRULE DIAMETER 2")

| Fuse Supports & Disconnect Switches | Spare Live Parts(*) | Figure (Fig.) | Spare Fuse Clips(**) | Figure (Fig.) | Fuse size |
|-------------------------------------|---------------------|---|----------------------|---|-----------|
| 9F61AAB201 | 9F61BNW451 |  | | | C |
| 9F61ACB201 | | | | | C |
| 9F61AEG201 | | | | | C |
| 9F61AGG201 | | | | | C |
| 9F61AGJ201 | | | | | C |
| 9F61AAB205 | 9F61BNW731 |  | 9F61BWW457 |  | C |
| 9F61ACB205 | | | | | C |
| 9F61AEG205 | | | | | C |
| 9F61AGG205 | | | | | C |
| 9F61AGJ205 | | | | | C |
| 9F61AHM201 | 9F61BNW743 |  | | | C |
| 9F61CEF209 | | | | | C |
| 9F61CGL209 | | | | | C |
| 9F61CHM209 | | | | | C |
| 9F61AHM205 | 9F61BNW746 |  | | | C |
| 9F61CEF210 | | | | | C |
| 9F61CGL210 | | | | | C |
| 9F61CHM210 | | | | | C |

(*) Spare Live Parts: Order (1) Live Parts for each Fuse Support and Disconnecting Switch (includes live parts for both ends).

(**) Fuse Clips: Order (2) Fuse Clips for each Fuse Support and order (1) Fuse Clip for each Disconnecting Switch.

© 2025 Mersen. All rights reserved. Mersen reserves the right to change, update, or correct, without notice, any information contained in this datasheet.

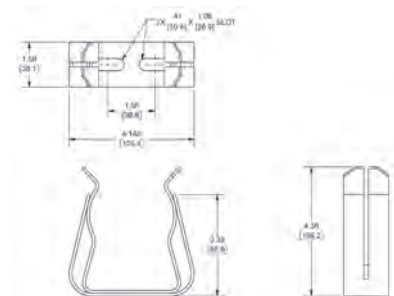
FUSE SIZE D (FERRULE DIAMETER 3")

| Fuse Supports & Disconnect Switches | Spare Live Parts (**) | Figure (Fig.) | Spare Fuse Clips (**) | Figure (Fig.) | Fuse size |
|-------------------------------------|-----------------------|---------------|-----------------------|---------------|-----------|
| 9F61AAB305 | 9F61BNW732 | | 9F61BWW459 | | D |
| 9F61AEB305 | | | | | D |
| 9F61AEG305 | | | | | D |
| 9F61AGG305 | | | | | D |
| 9F61AGJ305 | | | | | D |
| 9F61AHM301 | 9F61BNW744 | | | | D |
| 9F61CEF309 | | | | | D |
| 9F61CGL309 | | | | | D |
| 9F61CHM309 | | | | | D |
| 9F61CJN309 | | | | | D |
| 9F61AHM305 | 9F61BNW747 | | | | D |
| 9F61CEF310 | | | | | D |
| 9F61CGL310 | | | | | D |
| 9F61CHM310 | | | | | D |
| 9F61CJN310 | | | | | D |
| 9F61AAB301 | 9F61BNW750 | | D | | |
| 9F61AEB301 | | | D | | |
| 9F61AEG301 | | | D | | |
| 9F61AGG301 | | | D | | |
| 9F61AGJ301 | | | D | | |

(*) Spare Live Parts: Order (1) Live Parts for each Fuse Support and Disconnecting Switch (includes live parts for both ends).

(**) Fuse Clips: Order (2) Fuse Clips for each Fuse Support and order (1) Fuse Clip for each Disconnecting Switch.

For the 3" ferrule diameter we also offer the Cat # 228-700-530 clips. These spring reinforced clips will accommodate one and two barrel 3-inch diameter medium voltage ferrule type fuses. The clip and reinforcing spring are intended to be bolted to a copper busbar through two .41" and 1.06" slots. Mersen recommends the bus bar be directly connected on top of the fuse clip itself, not beneath the spring. A minimum copper-bus section of 1/4" x 1-1/2" is recommended for maximum ratings of 24R and 450E. The Cat # 228-700-530 is for one pair of clips, enough for one fuse.



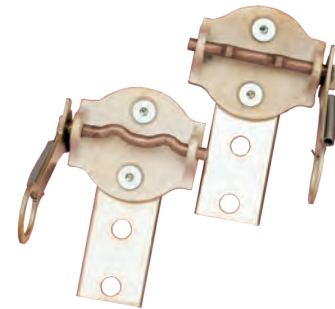
© 2025 Mersen. All rights reserved. Mersen reserves the right to change, update, or correct, without notice, any information contained in this datasheet.

CLIP-LOCK CLIPS FOR CL-14 FUSES

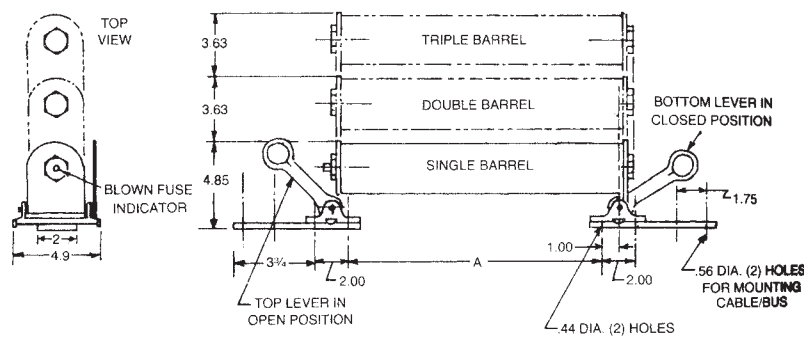
| CL-14 Fuse Catalog No. | A Dimensions - Inches |
|------------------------|-----------------------|
| A055C1D0R0-(10E-150E) | 13.25 |
| A055C1D0R0-(200E-400E) | 19.25 |
| A055C2D0R0-(450E-600E) | 19.25 |
| A155C1D0R0-(10E-50E) | 16.25 |
| A155C1D0R0-(65E-100E) | 19.25 |
| A155C2D0R0-(125E) | 19.25 |
| A155C3D0R0-(150E-300E) | 19.25 |

228-700-520 (One pair of clips)

The clip lock design provides a reliable, high-pressure contact. Mersen CL-14 fuses have copper tabs which slide into position between the clip casting and cam. When the cam is locked by moving the pull ring, a high-pressure contact is made between the clip casting and fuse tab. Each clip includes two .44" diameter counter-sunk holes on 2" centers and two flat head socket screws (3/8-16 UNRC, recommended torque 200 pound-inches) for mounting the clip on standard NEMA insulators. Order catalog number 228-700-520 (for one pair of fuse clips, enough for one fuse).







Mounting Details for Clip Lock Cat. No. 228-700-520



© 2025 Mersen. All rights reserved. Mersen reserves the right to change, update, or correct, without notice, any information contained in this datasheet.

FUSE SIZE DD (FERRULE DIAMETER TWO 3" IN PARALLEL)

| Fuse Supports & Disconnect Switches | Spare Live Parts(*) | Figure (Fig.) | Spare Fuse Clips(**) | Fuse size |
|-------------------------------------|---------------------|--|----------------------|-----------|
| 9F61AHM401 | 9F61AWW738 |  | N/A | DD |
| 9F61CEF409 | | | | DD |
| 9F61CGL409 | | | | DD |
| 9F61CHM409 | | | | DD |
| 9F61CJN409 | | | | DD |
| 9F61AEB405 | 9F61BNW461 |  | N/A | DD |
| 9F61AEG405 | | | | DD |
| 9F61AGG405 | | | | DD |
| 9F61AGJ405 | | | | DD |
| 9F61AHM405 | 9F61BNW748 |  | N/A | DD |
| 9F61CEF410 | | | | DD |
| 9F61CGL410 | | | | DD |
| 9F61CHM410 | | | | DD |
| 9F61CJN410 | | | | DD |
| 9F61AEB401 | 9F61BNW751 |  | N/A | DD |
| 9F61AEG401 | | | | DD |
| 9F61AGG401 | | | | DD |
| 9F61AGJ401 | | | | DD |

CONVERSION KIT D TO DD FOR USE ON FUSE SUPPORTS

| Model No. | Figure (Fig.) | Used on live parts | Figure (Fig.) |
|------------|---|----------------------|--|
| 9F61BNW402 |  | 9F61BNW751 (Indoor) |  |
| | | 9F61AWW738 (Outdoor) |  |

© 2025 Mersen. All rights reserved. Mersen reserves the right to change, update, or correct, without notice, any information contained in this datasheet.

P-Block

P243/P266/P292 Fuse Blocks

FUSE BLOCKS & HOLDERS

FUSE BLOCKS FOR SEMICONDUCTOR FUSES



Mersen P243 and P266 series fuse blocks for Form 101 fuses are glass-filled polycarbonate or laminated phenolic insulator blocks with studs to accommodate bolt-in fuses. The P292 series has a laminated phenolic insulator base with fuse clips. All studs, clips and mounting hardware are tin or zinc plated.

DIMENSIONS

| For Use with | Amps | Catalog No. | Fig. | Dimensions - Inches | | | | | | | Stud Size | Torque (in lbs) |
|----------------------|----------|-------------|------|---------------------|------|------|------|------|------|---------|-----------|-----------------|
| | | | | A | B | C | D | E | F | | | |
| A13X, A15QS | 70-450 | P243D | 2 | 4.40 | 1.50 | 2.79 | 2.20 | 2.06 | 1.17 | 1/4-20 | 36 | |
| A13X, A15QS | 500-600 | P243G | 2 | 4.40 | 1.50 | 2.79 | 2.20 | 2.44 | 0.98 | 5/16-18 | 84 | |
| A25X, A25Z, A30QS | 35-60 | P243G | 2 | 4.40 | 1.50 | 2.79 | 2.20 | 2.44 | 0.98 | 5/16-18 | 84 | |
| A25X, A25Z, A30QS | 70-200 | P243 | 1 | 4.50 | 1.50 | 2.50 | 2.25 | 2.38 | 1.06 | 1/4-20 | 36 | |
| A25X, A25Z, A30QS | 225-600 | P243G | 2 | 4.40 | 1.50 | 2.79 | 2.20 | 2.44 | 0.98 | 5/16-18 | 84 | |
| A50P | 35-60 | P243G | 2 | 4.40 | 1.50 | 2.79 | 2.20 | 2.44 | 0.98 | 5/16-18 | 84 | |
| A50P, A50QS | 70-200 | P243E | 2 | 4.40 | 1.50 | 2.79 | 2.20 | 2.88 | 0.76 | 1/4-20 | 36 | |
| A50P, A50QS | 225-600 | P266C | 1 | 6.00 | 2.00 | 3.00 | 3.00 | 3.28 | 1.36 | 3/8-16 | 180 | |
| A60X, A60Z, A70QS-4 | 35-200 | P243C | 2 | 4.40 | 1.50 | 2.79 | 2.20 | 3.62 | 0.39 | 1/4-20 | 36 | |
| A60X, A60Z, A70QS-4 | 225-600 | P266A | 1 | 6.00 | 2.00 | 3.00 | 3.00 | 4.06 | 0.97 | 3/8-16 | 180 | |
| A70P, A70Q | 35-100 | P243C | 2 | 4.40 | 1.50 | 2.79 | 2.20 | 3.62 | 0.39 | 1/4-20 | 36 | |
| A70P, A70Q | 125-200 | P266A | 1 | 6.00 | 2.00 | 3.00 | 3.00 | 4.06 | 0.97 | 3/8-16 | 180 | |
| A70P, A70Q | 225-400 | P266A | 1 | 6.00 | 2.00 | 3.00 | 3.00 | 4.06 | 0.97 | 3/8-16 | 180 | |
| A70QS-4K | 125-200 | P266A | 1 | 6.00 | 2.00 | 3.00 | 3.00 | 4.06 | 0.97 | 3/8-16 | 180 | |
| A70P, A70Q, A70QS-4K | 450-600 | P266F | 1 | 8.00 | 2.50 | 3.00 | 4.00 | 5.09 | 1.45 | 3/8-16 | 180 | |
| A100P | 35-100 | P266G | 1 | 6.00 | 2.00 | 2.50 | 3.00 | 4.25 | 0.88 | 1/4-20 | 36 | |
| A100P | 125-400 | P266L | 1 | 6.00 | 2.00 | 3.00 | 3.00 | 4.66 | 0.67 | 3/8-16 | 180 | |
| A120X | 1-30 | P292 | 3 | - | - | - | - | - | - | - | - | |
| A30QS | 700-800 | FH25F4 | 1 | 6.00 | 2.00 | 3.00 | 3.00 | 2.66 | 1.67 | 3/8-16 | 144 | |
| A50QS | 700-800 | FH50F4 | 1 | 8.00 | 2.50 | 3.00 | 4.00 | 4.21 | 1.84 | 1/2-13 | 360 | |
| A50QS | 900-1000 | FH50F5 | 1 | 8.00 | 2.50 | 3.00 | 4.50 | 4.97 | 1.50 | 1/2-13 | 360 | |
| A70QS-4K | 450-600 | FH70F3 | 1 | 8.00 | 2.50 | 3.00 | 4.00 | 5.09 | 1.91 | 1/2-13 | 360 | |

Note: FH Blocks are 1" thick.

* Not UL or CSA Certified

RATINGS:

- **Amps:** 1 to 1000A
- **Clip Type:** 1200VAC or less
- **Stud Type:** 1000VAC or less

APPROVALS:

- UL Recognized Component guide IZLT2 File E52283
- CSA Certified C22.2, class 6225, File 32169

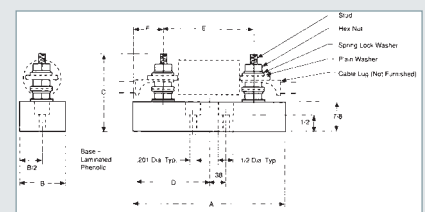


Figure 1

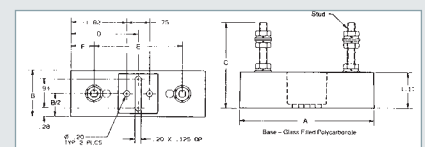


Figure 2

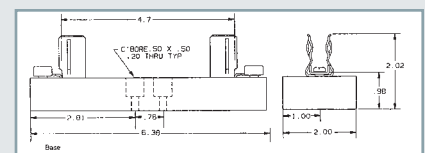


Figure 3

© 2025 Mersen. All rights reserved. Mersen reserves the right to change, update, or correct, without notice, any information contained in this datasheet.

1MSC

Modular Semiconductor Fuse Blocks

FUSE BLOCKS & HOLDERS



Mersen 1MSC semiconductor fuse blocks feature modular mounting that offers greater flexibility in adjusting to various fuse lengths. Both stud type and integral box connector versions are offered to allow for user preference of wire terminations. The integral box connector versions also provide for greater heat dissipation. Mounting hardware is supplied with the blocks.

Technical Data Overview

| | |
|-------|--------------|
| Volts | 600V |
| Amps | 600A Maximum |
| SCCR | 200kA |

FEATURES/BENEFITS

- Modular two-piece design
- Compact footprint
- Stud versions
- Heat dissipating integral box connector versions
- Accommodates a large range of semiconductor fuses
- Rugged phenolic insulators

APPROVALS/STANDARDS

- UL Recognized Component File for 1MSC: E35113



© 2025 Mersen. All rights reserved. Mersen reserves the right to change, update, or correct, without notice, any information contained in this datasheet.

DIMENSIONS - 1MSC

| Catalog No. | Maximum Voltage Rating* | Ampere Rating | Pkg. | UR | Type | Connector | | Hardware | | Tightning Torque (lb.-in.) | | | *Fig. |
|-------------|-------------------------|---------------|------|-----|--------|-------------------------|--|----------|--------|----------------------------|------|----------|-------|
| | | | | | | Wire Range | | Bolt | Washer | Cable | Fuse | Mounting | |
| 1MSC101 | 600 | 100 | Each | Yes | Al Box | Al/Cu 2/0 - #6 | | 1/4" | 0.655" | 120 | 70 | 25 | 3 |
| 1MSC102 | 600 | 400 | Each | Yes | Al Box | Al/Cu (2) 250kcmil - #6 | | 1/4" | 0.655" | 275 | 120 | 25 | 4 |
| 1MSC103 | 600 | 400 | Each | Yes | Al Box | Al/Cu (2) 250kcmil - #6 | | 3/8" | 0.900" | 275 | 120 | 25 | 5 |
| 1MSC104 | 600 | 600 | Each | Yes | Al Box | Al/Cu (2) 500kcmil - #6 | | 3/8" | 0.900" | 375 | 170 | 25 | 6 |

For 1MSC, order quantity 2 to receive 1 pair.

*Voltage rating applies to AC and DC.

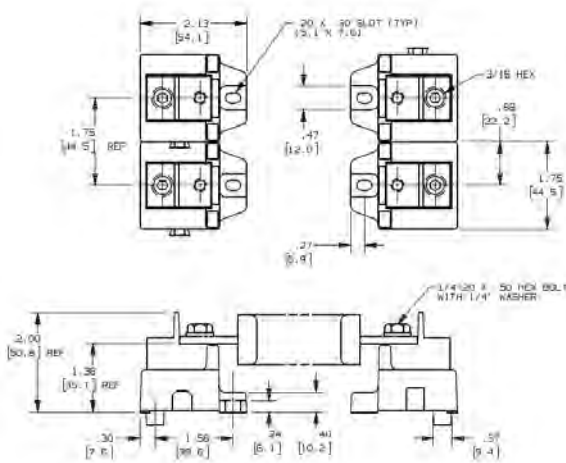


Figure 3

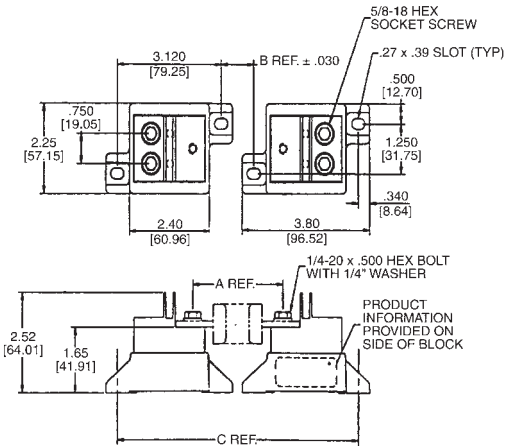


Figure 4

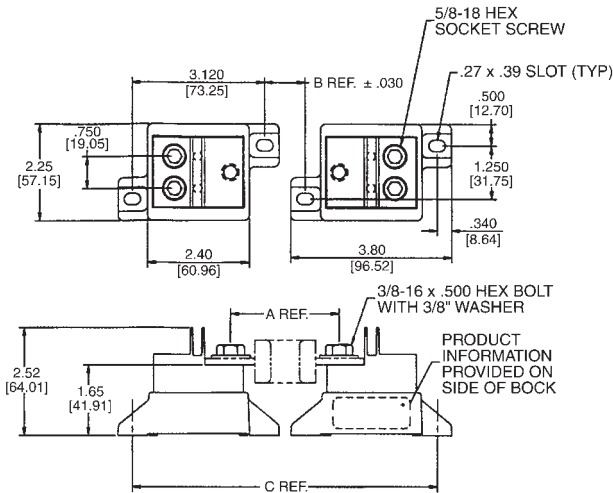


Figure 5

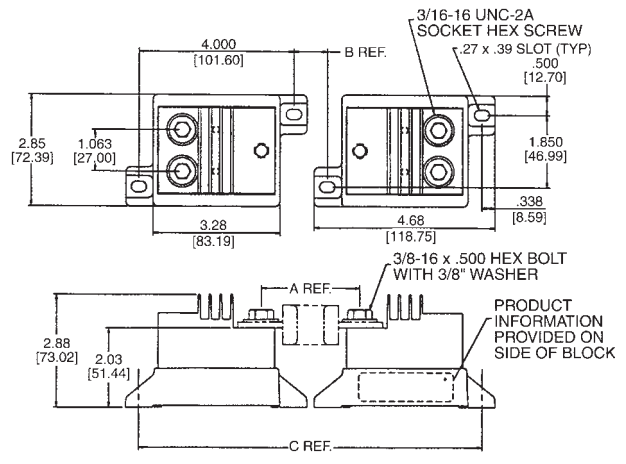


Figure 6

© 2025 Mersen. All rights reserved. Mersen reserves the right to change, update, or correct, without notice, any information contained in this datasheet.

1SC

Modular Semiconductor Fuse Blocks

FUSE BLOCKS & HOLDERS



Mersen 1SC semiconductor fuse blocks feature modular mounting that offers greater flexibility in adjusting to various fuse lengths. Both stud type and integral box connector versions are offered to allow for user preference of wire terminations. The integral box connector versions also provide for greater heat dissipation. Mounting hardware is supplied with the blocks.

FEATURES/BENEFITS

- Modular two-piece design
- Compact footprint
- Stud versions
- Heat dissipating integral box connector versions
- Accommodates a large range of semiconductor fuses
- Rugged phenolic insulators

APPROVALS/STANDARDS

- UL Recognized Component File for 1SC: E52283



Technical Data Overview

| | |
|--------------|--|
| Volts | 1000VAC/DC (SCCR: 200kA); 1500VAC/DC (SCCR: 100kA) |
| Amps | 800A Maximum |

DIMENSIONS - 1SC

| Catalog No. | Maximum Voltage Rating* | Ampere Rating | Pkg. | UR | Connector | | Hardware | | Tightning Torque (lb.-in.) | | *Fig. |
|-------------|-------------------------|---------------|------|-----|-----------|------------|----------|--------|----------------------------|----------|-------|
| | | | | | Type | Wire Range | Bolt | Washer | Fuse | Mounting | |
| 1SC250 | 1500 | 400 | Pair | Yes | 1/4" Stud | — | — | — | 60 | 25 | 1 |
| 1SC375 | 1500 | 800 | Pair | Yes | 3/8" Stud | — | — | — | 190 | 25 | 2 |
| 1SCM8 | 1500 | 400 | Pair | Yes | M8 Stud | — | — | — | 60 | 25 | 1 |
| 1SCM10 | 1500 | 800 | Pair | Yes | M10 Stud | — | — | — | 190 | 25 | 2 |

For 1SC, order quantity 1 to receive 1 pair.
*Voltage rating applies to AC and DC.

Figure 1

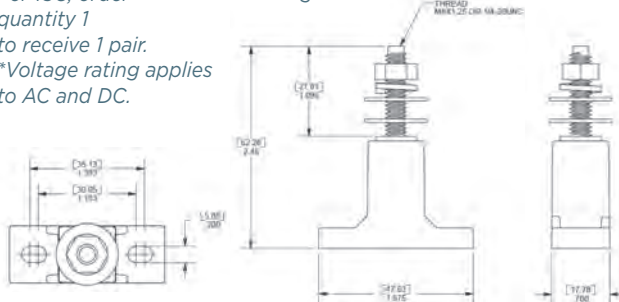
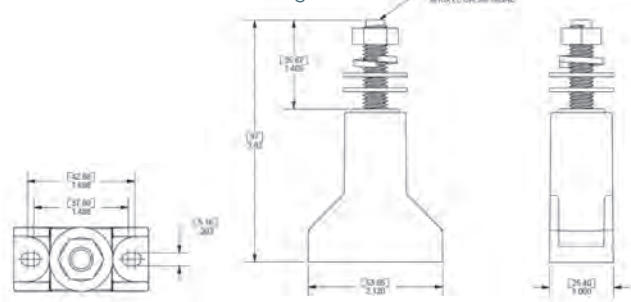


Figure 2



© 2025 Mersen. All rights reserved. Mersen reserves the right to change, update, or correct, without notice, any information contained in this datasheet.

703, U705, U710

Semiconductor Fuse Holders

FUSE BLOCKS & HOLDERS

750V SEMICONDUCTOR FUSE HOLDERS



Mersen semiconductor fuse holders feature open face styles. Each version is rated 750 volts and accommodates 14 x 51 mm or 22 x 58 mm fuses. 703, U705 and U710 holders feature Mersen's unique adder-block design which can be snapped onto 1-, 2-, or 3-pole blocks to form multi-pole segmented blocks of as many poles as desired. A choice of box, screw or pressure plate connectors is offered to fit a wide range of standard or solid copper wire. All versions have verified dielectric strengths in excess of 2500V. A patented built-in DIN-rail adapter on the U710 blocks adds further design versatility. All fuse clips are made of high conductivity tin-plated copper with spring reinforced clips.

RECOMMENDED FUSE USAGE:

- 703 use with 14x51mm A70QS, A70P, URD
- U705 use with 14x51mm A70QS, A70P, URD
- U710 use with 22x58mm A70QS, URD, up to 100A

HIGHLIGHTS:

- Thermoplastic bases
- DIN-rail (U710) or Screw Mount
- Adder block design

APPLICATIONS:

- All circuits up to 750 volts using semiconductor fuses for protection of small inverters, UPS systems, motor drives, etc.

RATINGS:

- **Volts:** 750V
- **Amps:** 30A (703), 50A (U7050), 100A (U7100)
- **SCCR:** 200kA dependent on fuse I.R.

APPROVALS:

- UL Recognized component guide IZLT2, File E52283
- CSA Certified class 6225, File 32169



750 VOLT FUSE HOLDERS FOR 14 X 51MM & 22 X 58 MM FUSES

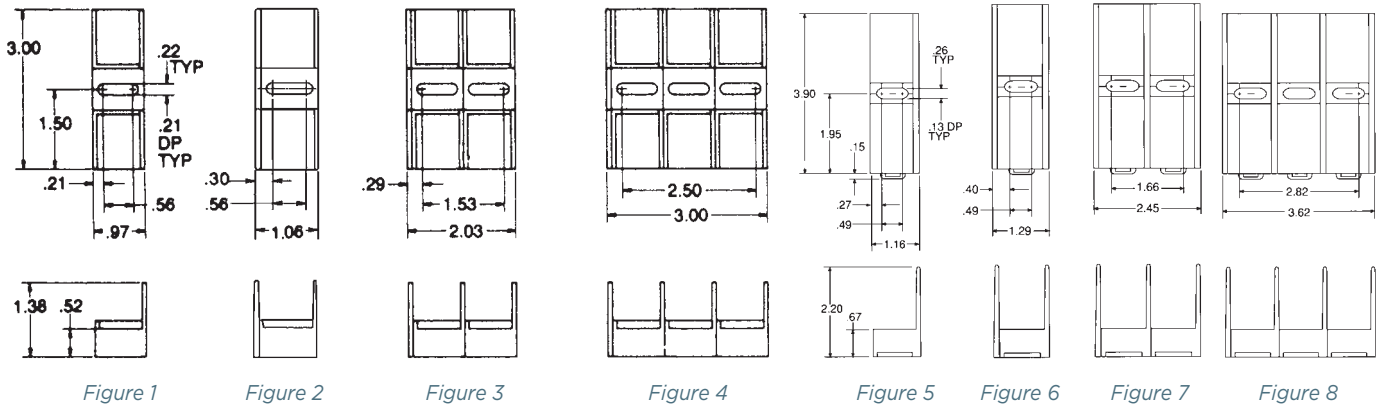
| Catalog No. | Fuse Size | Ampacity Rating | Poles | Connector Type | Wire Range | Figure | Connector Torque (In-Lb) |
|-------------|-----------|-----------------|-------|----------------|----------------|--------|--------------------------|
| U70505 | 14 x 51 | 50 | Adder | Box | Al/Cu #2-14 | 1 | 35 |
| U70506 | | | 1 | | | | |
| U70507 | | | 2 | | | | |
| U70508 | | | 3 | | | | |
| 70315 | 14 x 51 | 30 | Adder | Screw | Cu #10-14 | 1 | 20 |
| 70316 | | | 1 | | | | |
| 70317 | | | 2 | | | | |
| 70318 | | | 3 | | | | |
| 70325 | 14 x 51 | 30 | Adder | Pressure Plate | Cu #10-14 | 1 | 20 |
| 70326 | | | 1 | | | | |
| 70327 | | | 2 | | | | |
| 70328 | | | 3 | | | | |
| 70355 | 14 x 51 | 30 | Adder | Box | Cu* #4-14 | 1 | 35 |
| 70356 | | | 1 | | | | |
| 70357 | | | 2 | | | | |
| 70358 | | | 3 | | | | |
| U71005 | 22 x 58 | 100 | Adder | Box | Al/Cu #2-14 | 5 | 35 |
| U71006 | | | 1 | | | | |
| U71007 | | | 2 | | | | |
| U71008 | | | 3 | | | | |

*Copper box connectors and clips-for copper wires only.

Note: To convert 30A adder pole to single pole, use end barrier #U09322 100A adder pole to single pole, use end barrier #U09372.

Recommended mounting screws; #10 (.190" dia)

DIMENSIONS



© 2025 Mersen. All rights reserved. Mersen reserves the right to change, update, or correct, without notice, any information contained in this datasheet.

PS 20x127

Ferrule Fuse Holders and No-Load Disconnectors

FUSE BLOCKS & HOLDERS



RATINGS:

- **Volts:** 1,500V, 2,500V
- **SCCR:** 42kA AC, 55kA DC

APPROVALS:

- UL Recognized component
File E113357



HIGHLIGHTS:

- Solid assembly offers good thermal and mechanical withstand rating
- Fuse mounting in holders or no-load disconnectors with or without open fuse indicating microswitches
- Phenolic resin models for basic applications, fiber-glass polyester for applications in corrosive atmospheres or applications for traction
- Voltage = 1,500 V and 2,500 V

DIELECTRIC WITHSTAND TESTS

| | R.M.S. voltage 1 mn 50/60 Hz | Impulse voltage 1.2/50 s (IEC 694 et CEI 60) |
|---|---------------------------------|---|
| Between close phases and phase and ground | 6kV(1) - 10 kV(2) | 12 kV(1) - 20 kV(2) |
| Between phases and microswitch | 12 kV | |

Connecting with 16mm² max. width, 5mm max. thick terminal

(1) Basic model

Max. temperature (°C)/ Relative humidity (%): 20 °C/95% - 40°C/80% - 50°C/50%

(2) Salt spray-proof model

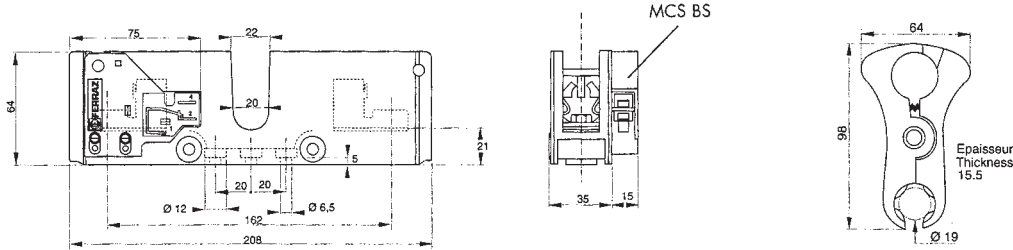
Moist tropical and equatorial climate or corrosive atmosphere.

Connecting with 50 mm² max. cable with copper terminals or with a 15 x 8 max. rigid or flexible bar.

DIMENSIONS

| Description | Insulation voltage rating Ui AC 50/60 Hz or DC | Fuse current rating I _n (A) | Maximum operating current of fuse (A) | | | | | Advised copper wire size mm ² | Fire and fumes class NF F 16-101 and 102 and UL |
|------------------|---|--|---------------------------------------|----------------|--------------------|----------------|----------------|--|---|
| | | | 1000 V gLB | =1000 V gRC | =1000 V gRB | =1500 V gRB | =1500 V gRD | | |
| PSI 20X127 | 1500 V without terminal covers | 50 | | 50 | | | | 10 | basic model 12-F1 UL 94 V1 |
| PSI 20X127 PRE | 2500 V with terminal covers and only salt spray-proof model | 63 | 80 | 56 | | | 16 | salt spray-proof model I1 - F1 UL 94 V0 | |
| PSII 20X127 PRE | | 80 | 90 | | No Operating Limit | | 25 | | |
| PSIII 20X127 PRE | | 100 | 100 | | | | 35 | | |
| PSIV 20X127 PRE | | 125 | | | | | 50 | | |

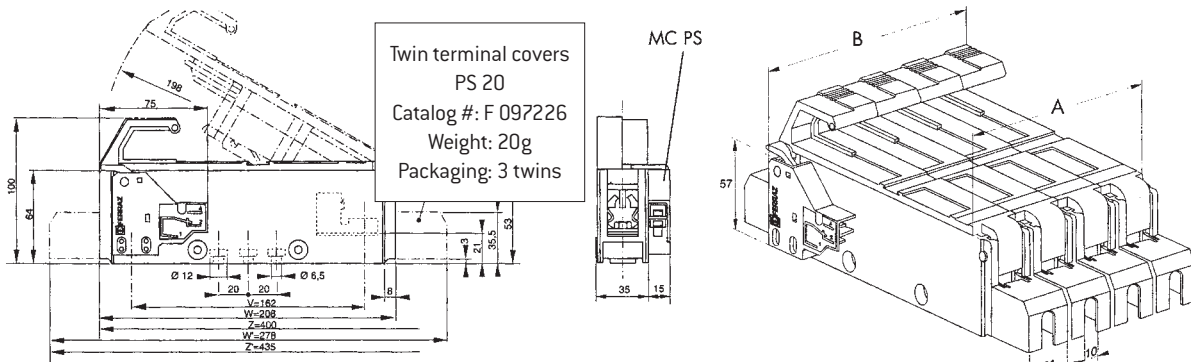
FUSE HOLDERS AND ACCESSORIES



| Description | Catalog No. | Weight (g) | Packaging |
|---------------------|-------------|------------|-----------|
| PSI 20x127 | X 097310 | 260 | 3 pieces |
| PSI 20x127 + MCS BS | X 220130 | 290 | 2 pieces |

PMCP 20+22
 Catalog #: K 100036
 Weight: 40g
 Packaging: 1

FUSE NON-LOAD DISCONNECTORS AND ACCESSORIES



V: Connecting distance between centers
 W: Clip for rail mounting in two positions
 W': With terminal cover length
 Y: Space factor with a 90° fuse carrier position

Z: Without terminal cover, space factor with a 180° fuse carrier position
 Z': With terminal cover, space factor with 180° fuse carrier position

| Description (basic model) | Catalog No. |
|---------------------------|-------------|
| PSI 20x127 PRE | F097203 |
| PSII 20x127 PRE | G097227 |
| PSIII 20x127 PRE | H097228 |
| PSIV 20x127 PRE | J097229 |
| PSI 20 x 127 PRE+MC PS | H097205 |
| PSII 20 x 127 PRE+MC PS | D097293 |
| PSIII 20 x 127 PRE+MC PS | E097294 |
| PSIV 20 x 127 PRE+MC PS | F097295 |

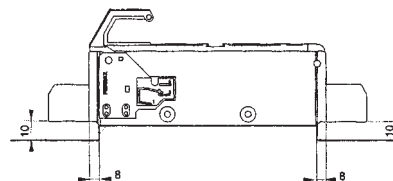
| No. of Poles | A | B |
|--------------|-----|-----|
| 1 | 35 | 50 |
| 2 | 69 | 84 |
| 3 | 103 | 118 |
| 4 | 137 | 152 |

| Preisolating and blown fuse indicating microswitch features | |
|---|---|
| Microswitch rated current | Non-inductive circuit interrupting rating |
| 3A - 50 Hz | 3A - 50 Hz |
| 3A - DC | 3A - DC |

Reliable minimum operating voltage/
 current: 10V - 10mA
 Connecting with 6.35 mm lug

| Description (salt spray-proof model) | Ref. No. |
|--------------------------------------|----------|
| PSI 20x127 PRE BS | G097204 |
| PSII 20x127 PRE BS | L097231 |
| PSIII 20x127 PRE BS | T097261 |
| PSIV 20x127 PRE BS | C097292 |
| PSI 20 x 127 PRE BS+MC PS | J097206 |
| PSII 20 x 127 PRE BS+MC PS | G097296 |
| PSIII 20 x 127 PRE BS+MC PS | H097297 |
| PSIV 20 x 127 PRE BS+MC PS | J097298 |

Distances when mounting on a conductive board @ $U_i = 2500$ VAC



Miniature Fuse Blocks

5X20QC1 & 6X32QC1 Single Pole Fuse Blocks

FUSE BLOCKS & HOLDERS



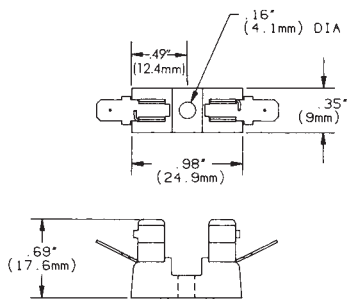
The 5X20QC1 single pole fuse blocks are for for 5 mm x 20 mm fuses featuring tin-plated clips, a polyester insulator and 3/16" quick-connect terminals. The 6X32QC1 single pole fuse blocks are for 1/4" x 1-1/4" fuses and have tin-plated phosphor bronze clips, a phenolic insulator and 1/4" quick-connect terminals.

RECOMMENDED FUSE USAGE:

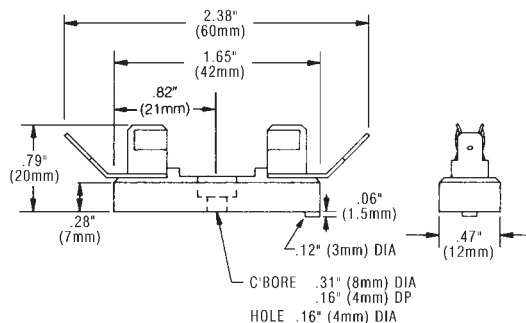
- 5X20QC1 use with GGM, GGA, GSA, GSB, GDG
- 6X32QC1 use with GSA, GDL, GGC, GAB

DIMENSIONS:

5X20QC1



6X32QC1



RATINGS:

5X20QC1:

- Volts: 250V
- Amps: 15A

6X32QC1:

- Volts: 250V
- Amps: 30A

FEATURES/BENEFITS:

5X20QC1

Single Pole Fuse Block for 5 mm x 20 mm fuses

- Tin plated clips
- Polyester insulator
- 3/16" quick-connect terminals
- Rated 15A, 250V
- UL recognized

6X32QC1

Single Pole Fuse Block for 1/4" x 1-1/4" fuses

- Tin plated phosphor bronze clips
- Phenolic insulator
- 1/4" quick-connect terminals
- Rated 30A, 250V - UL Recognized

APPROVALS:

- UL Recognized



GPM Series

Panel Mount Fuse Holders

FUSE BLOCKS & HOLDERS



Mersen GPM panel mount fuse holders are in sizes to accommodate Class CC and midget (1-1/2" x 13/32") fuses. All 30A holders have PET insulators for extra dependability and trouble-free installation. Patented design allows same body to accept screw or bayonet knob. Flange design allows front or rear mounting.

CATALOG NUMBERS & DESCRIPTIONS

| Catalog No. | Fig. | Cap Type | Amps | Volts | Fuse Type | Terminal Type |
|-------------|------|------------------------|------|-------|-----------------|--|
| GPM-S | 1 | Screw Knob | 30 | 600 | 1-1/2" x 13/32" | 1/4" Quick-connect/Solder |
| GPM-S90 | 2 | Screw Knob | 30 | 600 | 1-1/2" x 13/32" | 1/4" Quick-connect/Solder, Right Angle |
| GPM-SRR | 1 | Screw Knob | 30 | 600 | Class CC | 1/4" Quick-connect/Solder |
| GPM-SRR90 | 2 | Screw Knob | 30 | 600 | Class CC | 1/4" Quick-connect/Solder, Right Angle |
| GPM-B | 1 | 1/4 Turn Bayonet Knob | 30 | 600 | 1-1/2" x 13/32" | 1/4" Quick-connect/Solder |
| GPM-B90 | 2 | 1/4 Turn Bayonet Knob | 30 | 600 | 1-1/2" x 13/32" | 1/4" Quick-connect/Solder, Right Angle |
| GPM-BRR | 1 | 1/4 Turn Bayonet Knob | 30 | 600 | Class CC | 1/4" Quick-connect/Solder |
| GPM-BRR90 | 2 | 1/4 Turn Bayonet Knob | 30 | 600 | Class CC | 1/4" Quick-connect/Solder, Right Angle |
| GPM-WT | 1 | Water-tight Screw Knob | 30 | 600 | 1-1/2" x 13/32" | 1/4" Quick-connect/Solder |
| GPM-WT90 | 2 | Water-tight Screw Knob | 30 | 600 | 1-1/2" x 13/32" | 1/4" Quick-connect/Solder, Right Angle |
| GPM-WTR | 1 | Water-tight Screw Knob | 30 | 600 | Class CC | 1/4" Quick-connect/Solder |
| GPM-WTR90 | 2 | Water-tight Screw Knob | 30 | 600 | Class CC | 1/4" Quick-connect/Solder, Right Angle |

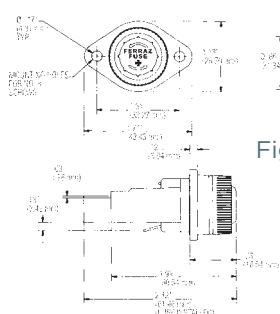


Figure 1

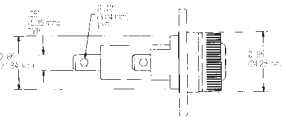
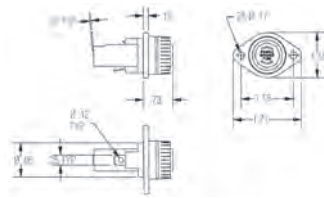


Figure 2



RATINGS:

- **Volts:** 600VAC / DC
- **Amps:** 30A Maximum
- **SCCR:** 200kA (Class CC Fuses); 100kA (Midget Fuses)

RECOMMENDED FUSE USAGE:

GPM Fuse Holders will accommodate these Mersen fuses:

GPM-SRR, GPM-BRR, GPM-WTR: ATQR, ATDR, ATMR,

GPM-SRR90, GPM-BRR90, GPM-WTR90: ATQR, ATDR, ATMR,

GPM-S, GPM-B, GPM-WT: ATQ, ATM, TRM, OTM, GGU, A13X-2, A25Z-2, A60Q-2, A6Y-2B, **GPM-S90, GPM-B90, GPM-WT90:** ATQ, ATM, TRM, OTM, GGU, A13X-2, A25Z-2, A60Q-2, A6Y-2B

APPROVALS:

- UL Recognized, guide IZLT2, File E52283
- CSA Certified - C22.2, class 6225, File 32169



Mersen GPM panel mount fuse holders will accommodate 1/4" x 1-1/4" 3AG fuses and 5 mm x 20 mm fuses; most are approved by U.L. and CSA. Cap and body material is bakelite or polycarbonate and function as a screw-in or bayonet style closure. Finger-grip or screwdriver slots are available. All holders are rated for up to 250 volts with amp ratings ranging from 3A to 15A.

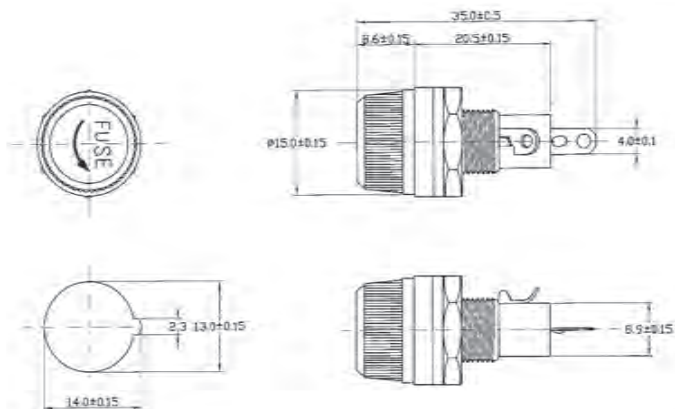
| Catalog No. | Cap Type | Volts | Amps | Fuse Size | Terminal Type | Approvals |
|-------------|----------------------|-------|------|------------|---------------------|-----------|
| GPM-A2 | Finger-grip/Screw-in | 250 | 10 | 5mm x 20mm | Solder | UR/CSA |
| GPM-A3 | Finger-grip/Screw-in | 250 | 3 | 5mm x 20mm | Solder | UR/CSA |
| GPM-A4 | Finger-grip/Screw-in | 250 | 6.3 | 5mm x 20mm | Solder, right angle | |
| GPM-A5 | Screwdriver Slot | 250 | 10 | 5mm x 20mm | Solder | |
| GPM-A6 | Screwdriver Slot | 250 | 6.3 | 5mm x 20mm | Solder, right angle | UR/CSA |
| GPM-A8 | Screwdriver Slot | 250 | 10 | 5mm x 20mm | Solder, right angle | UR/CSA |
| GPM-A9 | Screwdriver Slot | 250 | 6.3 | 5mm x 20mm | Solder, right angle | UR/CSA |
| GPM-A10 | Screwdriver Slot | 250 | 6.3 | 5mm x 20mm | 3/16" Solder/QC | UR/CSA |
| GPM-A11 | Screwdriver Slot | 250 | 10 | 5mm x 20mm | Solder, right angle | UR/CSA |

RECOMMENDED FUSE USAGE:

- GPM-AX: GGM, GGA, GSB, GSC, GDG, GSD, GSF
- All dimensions mm's



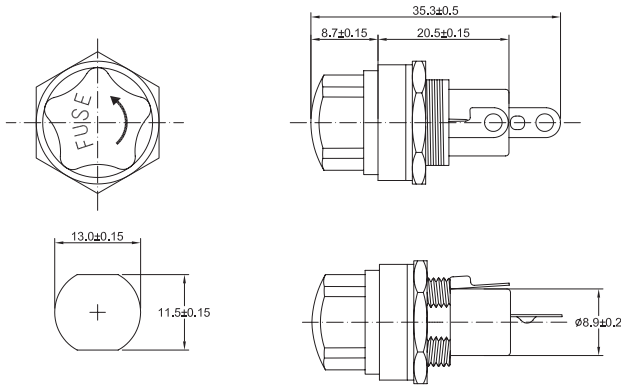
GPM-A2



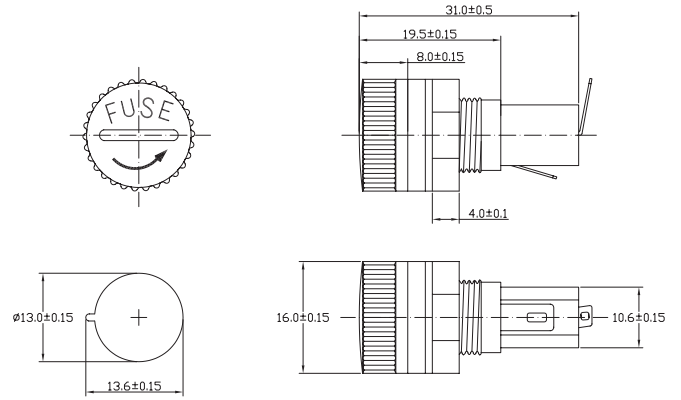
© 2025 Mersen. All rights reserved. Mersen reserves the right to change, update, or correct, without notice, any information contained in this datasheet.



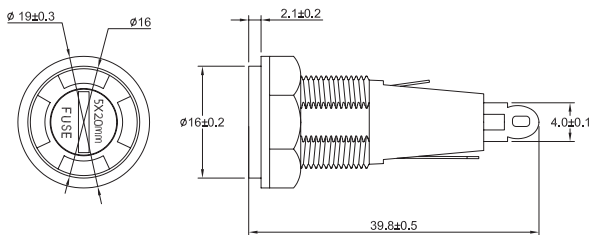
GPM-A3



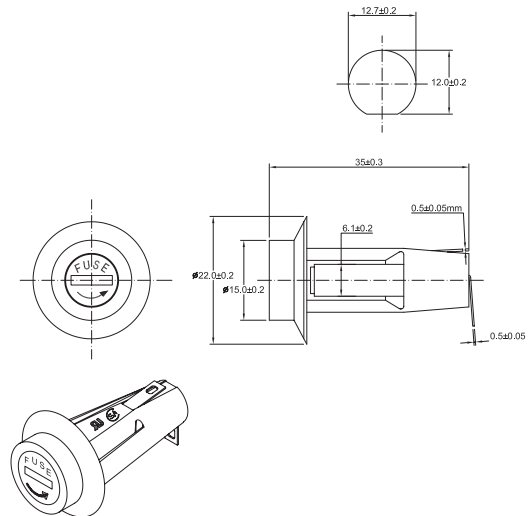
GPM-A4



GPM-A5



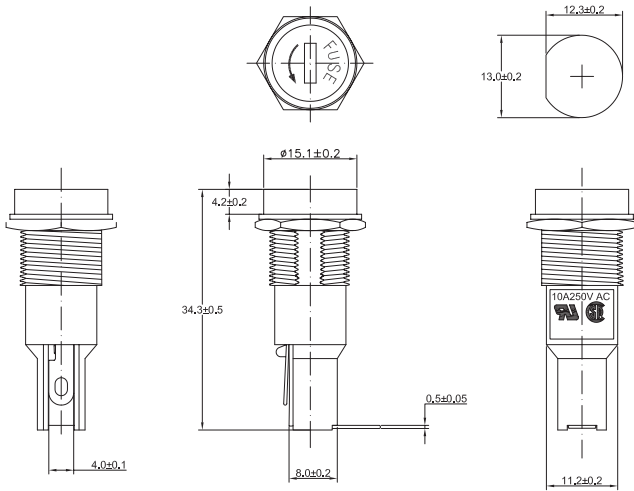
GPM-A6



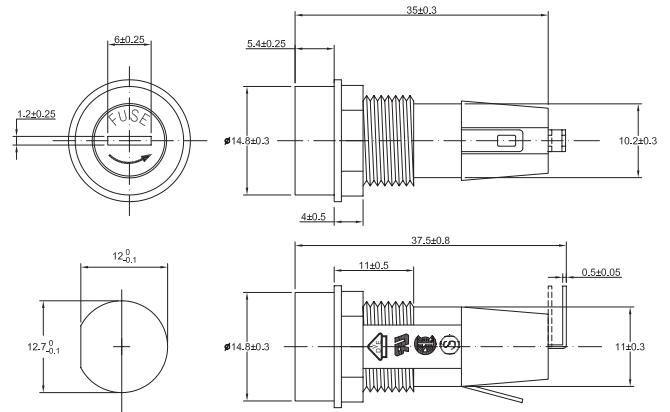
© 2025 Mersen. All rights reserved. Mersen reserves the right to change, update, or correct, without notice, any information contained in this datasheet.



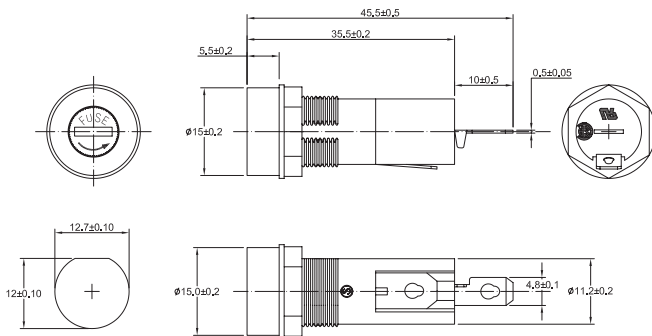
GPM-A8



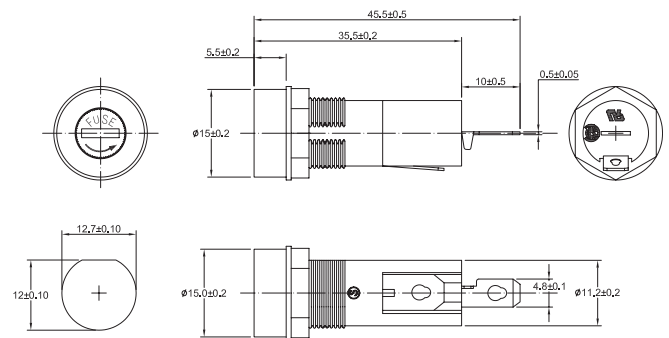
GPM-A9



GPM-A10



GPM-A11



© 2025 Mersen. All rights reserved. Mersen reserves the right to change, update, or correct, without notice, any information contained in this datasheet.

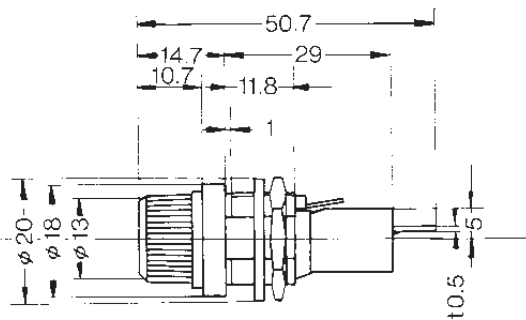
| Catalog No. | Cap Type | Volts | Amps | Fuse Size | Terminal Type | Approvals |
|-------------|----------------------|-------|------|-----------|-----------------|-----------|
| GPM-G | Finger-grip/Screw-in | 250 | 15 | 3AG | 3/16" Solder/QC | UR/CSA |
| GPM-G1 | Finger-grip/Screw-in | 250 | 10 | 3AG | 3/16" Solder/QC | UR/CSA |
| GPM-G2 | Finger-grip/Screw-in | 250 | 10 | 3AG | Solder | |
| GPM-G3 | Screwdriver Slot | 250 | 10 | 3AG | Solder | UR/CSA |
| GPM-G5 | Finger-grip/Bayonet | 250 | 10 | 3AG | 1/4" Solder/QC | UR/CSA |
| GPM-G6 | Finger-grip/Bayonet | 250 | 10 | 3AG | Solder | UR/CSA |
| GPM-G7 | Screwdriver Slot | 250 | 15 | 3AG | 3/16" Solder/QC | UR/CSA |

RECOMMENDED FUSE USAGE:

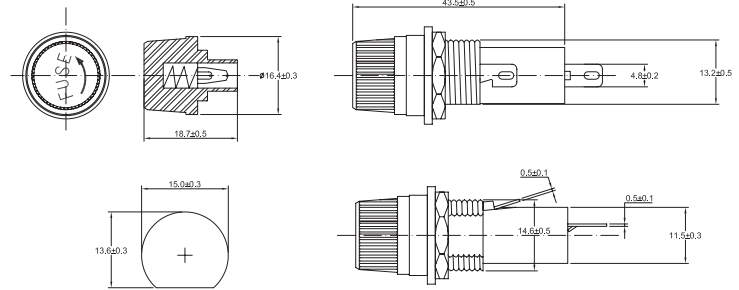
GPM-GX: GGC, GDL, GSA, GAB
 All dimensions mm's



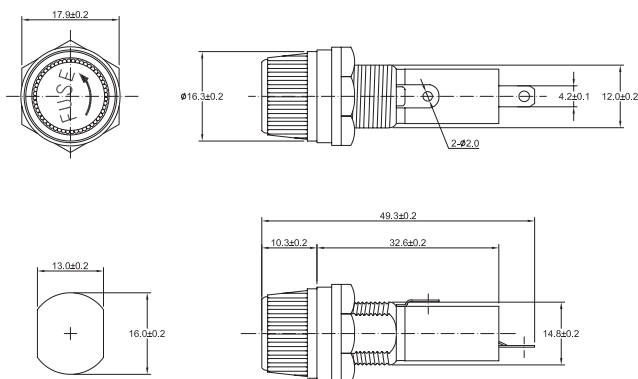
GPM-G



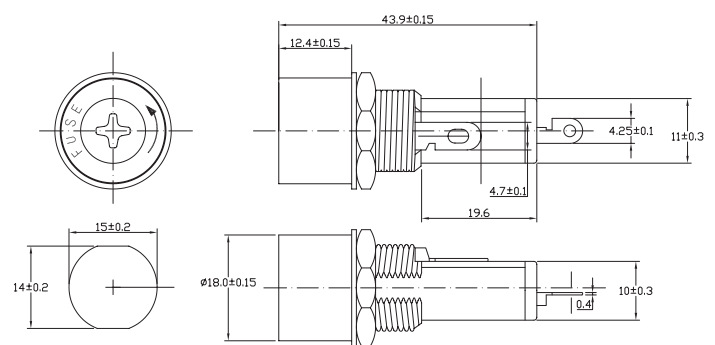
GPM-G1



GPM-G2



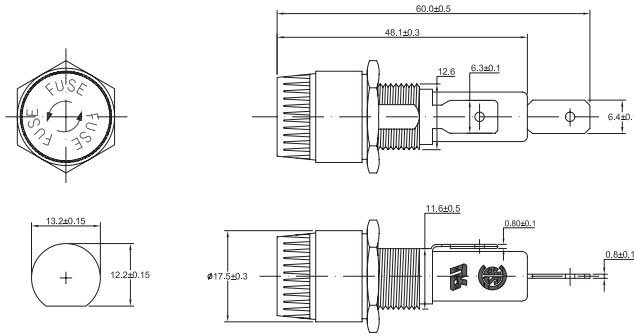
GPM-G3



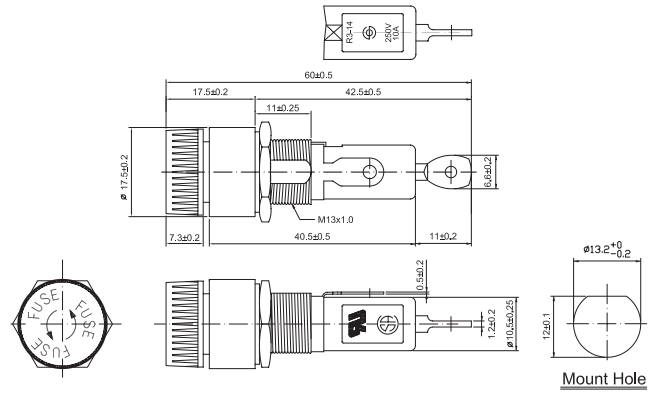
© 2025 Mersen. All rights reserved. Mersen reserves the right to change, update, or correct, without notice, any information contained in this datasheet.



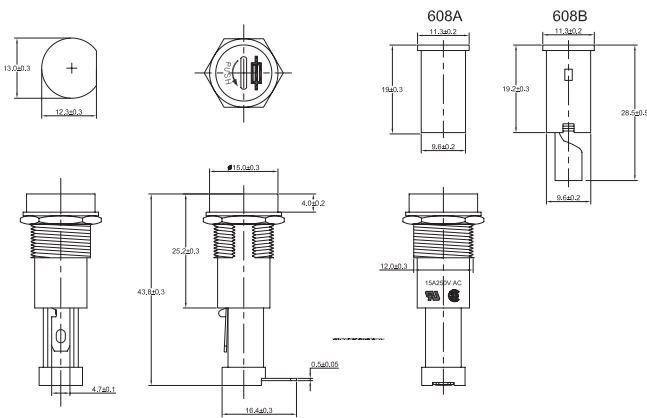
GPM-G5



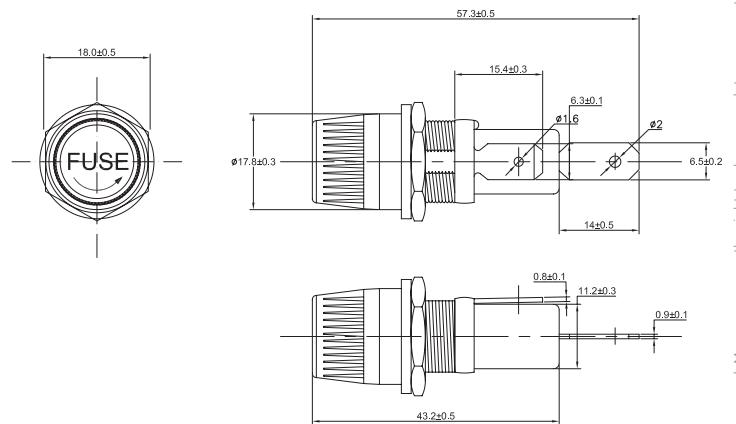
GPM-G6



GPM-G7



GPM-G8



© 2025 Mersen. All rights reserved. Mersen reserves the right to change, update, or correct, without notice, any information contained in this datasheet.

DFC Series

Dead-Front Fuse Covers

FUSE BLOCKS & HOLDERS



Mersen DFC dead-front fuse covers snap on to individual fuses installed in fuse blocks, covering exposed live clips and terminals and reducing accidental contact by personnel. They are sized to fit Class G, H, J, K, R, CC or midget fuses for increased safety and (optional) open-fuse indication. All DFC dead-front fuse covers are reusable when a fuse is replaced – simply detach from the open fuse and re-attach to the new replacement fuse. On indicator models an orange indicator light will illuminate to indicate an open fuse. DFC fuse cover ends can be easily cut to accommodate existing wiring, safety switches or special installations. A blank label is provided with each DFC to write in circuit or fuse information.

FEATURES/BENEFITS:

- Innovative design provides dead-front electrical safety to personnel
- Optional orange indicator light shows open fuse
- Many sizes to fit virtually all popular fuses/fuse blocks
- Reusable with no changes or additional cost
- Labels provided for write-in identification
- Thermoplastic flammability rating of UL 94-V2
- Low leakage current <0.6 mA at 600V

RATINGS:

Non-Indicating

- **Volts:** 0 to 600VAC/DC
- **Amps:** Fits fuses rated 0 to 200A

Indicating

- **Volts:** 90 to 600VAC, 115 to 600VDC
- **Amps:** Fits fuses rated 0 to 200A

APPROVALS:

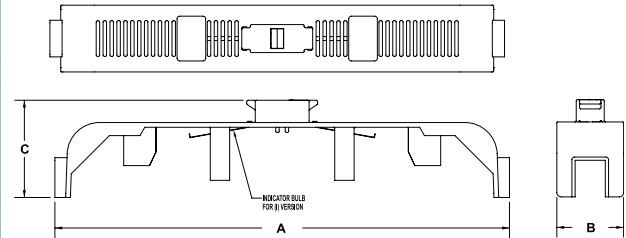
- UL Listed (All except midget size) guide JDVS, File E90426
- UL Recognized Component (midget) guide JDVS2, File E90426
- CSA Certified class 6228, File 70159



CATALOG NUMBERS & DIMENSIONS

| Catalog Numbers | | Fuses Accomodated | | | Dimensions (inches) | | |
|-----------------|------------|-------------------|-------|---------------|---------------------|------|------|
| Non-indicating | indicating | Amps | Volts | Class | A | B | C |
| DFC-1 | DFC-1I | 0-30 | 600 | J | 4.68 | 1.36 | 1.97 |
| DFC-2 | DFC-2I | 0-30 | 600 | R, K, H | 7.45 | 1.35 | 1.80 |
| DFC-3 | DFC-3I | 65-100 | 600 | J | 7.57 | 1.30 | 2.20 |
| DFC-4 | DFC-4I | 65-100 | 250 | R, K, H | 8.73 | 1.40 | 2.02 |
| DFC-5 | DFC-5I | 35-60 | 600 | R, K, H | 7.46 | 1.35 | 2.00 |
| DFC-6 | DFC-6I | 35-60 | 600 | J | 4.64 | 1.40 | 2.17 |
| DFC-7 | DFC-7I | 0-30 | 600 | Midget, CC, G | 3.71 | 0.69 | 1.37 |
| DFC-8 | DFC-8I | 65-100 | 600 | R, K, H | 10.55 | 1.55 | 2.26 |
| DFC-9 | DFC-9I | 0-30 | 250 | R, K, H | 3.71 | 0.85 | 1.55 |
| DFC-10 | DFC-10I | 0-30 | 600 | SJ | 4.56 | 1.06 | 2.02 |
| DFC-11 | DFC-11I | 65-100 | 600 | SJ | 5.52 | 1.7 | 2.04 |
| DFC-12 | DFC-12I | 110-200 | 600 | J | 6.63 | 3.03 | 2.86 |
| DFC-13 | DFC-13I | 35-60 | 250 | R, K, H | 5.20 | 1.12 | 1.92 |

WARNING: To avoid electrical shock, TURN POWER OFF before installing, removing or servicing.



FUSES AND FUSE BLOCKS FOR USE WITH DFC

| Fuse | Fuse Block | DFC | Fuse | Fuse Block | DFC |
|--------------|------------|-----------|----------------|------------|-----------|
| AG(0-30) | 40xxxG | -7I, -7 | A6K(35-60)R | 606xxR | -5I, -5 |
| AJT(1-30) | 603xxJ | -1I, -1 | A6K(70-100)R | 610xxR | -8I, -8 |
| AJT(1-30) | 603xxSJ | 10I, -10 | A6Y(0-30)-2B | 303xx | -7I, -7 |
| AJT(35-60) | 606xxJ | -6I, -6 | A60Q(0-30)-2 | 303xx | -7I, -7 |
| AJT(70-100) | 610xxJ | -3I, -3 | A60X(0-30)-1 | 603xx | -1I, -1 |
| AJT(70-100) | 6100xxSJ | -11I, -11 | A70P(10-30)-1 | 203xx | -9I, -9 |
| AJT(110-200) | 620xxJ | -12I, -12 | GFN(0-30) | 303xx | -7I, -7 |
| ATDR(0-30) | 303xxR | -7I, -7 | GGU(0-30) | 303xx | -7I, -7 |
| ATM(0-30) | 303xx | -7I, -7 | HSJ(15-30) | 603xxSJ | -10I, -10 |
| ATMR(0-30) | 303xxR | -7I, -7 | HSJ(70-100) | 6100xxSJ | -11I, -11 |
| ATQ(0-30) | 303xx | -7I, -7 | HSJ(110-200) | 620xxJ | -12I, -12 |
| ATOR(0-30) | 303xxR | -7I, -7 | OT(0-30) | 203xx | -9I, -9 |
| A13X(1-30)-2 | 303xx | -7I, -7 | OT(35-60) | 206xx | -13I, -13 |
| A2D(0-30)R | 203xxR | -9I, -9 | OT(65-100) | 210xx | -4I, -4 |
| A2D(35-60)R | 206xxR | -13I, -13 | OTM(0-30) | 303xx | -7I, -7 |
| A2D(65-100)R | 210xxR | -4I, -4 | OTS(0-30) | 603xx | -2I, -2 |
| A2K(0-30)R | 203xxR | -9I, -9 | OTS(35-60) | 606xx | -5I, -5 |
| A2K(35-60)R | 206xxR | -13I, -13 | OTS(65-100) | 610xx | -8I, -8 |
| A2K(70-100)R | 210xxR | -4I, -4 | RF(0-30) | 203xx | -9I, -9 |
| A2Y(0-30) | 203xx | -9I, -9 | RF(35-60) | 206xx | -13I, -13 |
| A2Y(35-60) | 206xx | -13I, -13 | RF(65-100) | 210xx | -4I, -4 |
| A2Y(70-100) | 210xx | -4I, -4 | RFS(0-30) | 603xx | -2I, -2 |
| A25X(1-30)-1 | 203xx | -9I, -9 | RFS(35-60) | 606xx | -5I, -5 |
| A25Z(1-30)-2 | 303xx | -7I, -7 | RFS(65-100) | 610xx | -8I, -8 |
| A4J(1-30) | 603xxJ | -1I, -1 | TR(0-30)R | 203xx | -9I, -9 |
| A4J(1-30) | 603xxSJ | -10I, -10 | TR(35-60)R | 206xx | -13I, -13 |
| A4J(35-60) | 606xxJ | -6I, -6 | TR(70-100)R | 210xx | -4I, -4 |
| A4J(70-100) | 610xxJ | -3I, -3 | TRM(0-30) | 303xx | -7I, -7 |
| A4J(70-100) | 6100xxSJ | -11I, -11 | TRS(0-30)R | 603xxR | -2I, -2 |
| A4J(110-200) | 620xxJ | -12I, -12 | TRS(35-60)R | 606xxR | -5I, -5 |
| A50P(10-30) | 203xx | -9I, -9 | TRS(65-100)R | 610xxR | -8I, -8 |
| A6D(0-30)R | 603xxR | -2I, -2 | TRS(35-60)RDC | 606xxR | -5I, -5 |
| A6D(35-60)R | 606xxR | -5I, -5 | TRS(70-100)RDC | 610xxR | -8I, -8 |
| A6D(70-100)R | 610xxR | -8I, -8 | | | |
| A6K(0-30)R | 603xxR | -2I, -2 | | | |

Note: DFC Covers fit single pole blocks and each pole of multi-pole blocks.

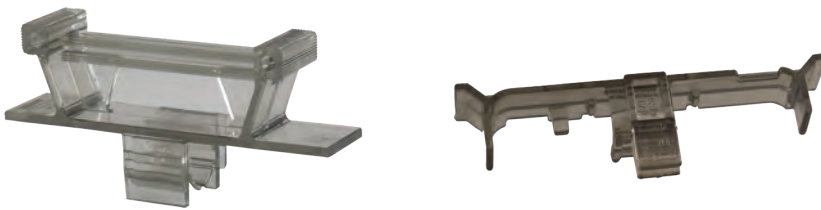
Consult factory for data sheets of DFC trim instructions for safety switches.

WARNING: To avoid electrical shock, TURN POWER OFF before installing, removing or servicing.

DFC3M/DFC3LP/DRM

Fuse Block Accessories

FUSE BLOCKS & HOLDERS



DFC3M SAFETY PULLER PROTECTS PERSONNEL, COVERS LIVE PARTS

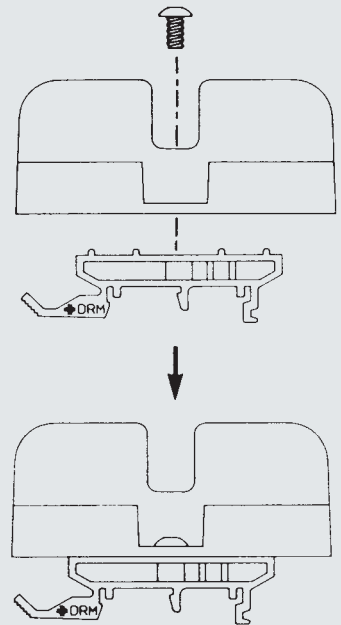
The DFC3M safety puller is intended to hold and safely enclose 1-1/2" x 13/32" midget or Class CC fuses for insertion or removal from fuse clips, making fuse installation easy and safe without the use of a standard fuse puller. The DFC3M is made of clear polycarbonate, so the fuse can be identified when installed in a 303 series fuse block.

DFC3LP SAFETY PULLER HOLDS FUSE, PROTECTS PERSONNEL, AND SAVES SPACE

The DFC3LP holds and safely encloses 1-1/2" x 13/32" midget or class CC fuse, similar to the DFC3M, but with a lower profile in height so it takes less room where space is restricted. The DFC3LP is made of clear polycarbonate so the fuse can be seen after installation in a fuse block such as the Mersen 303 series.

DRM ADAPTS 303 SERIES MIDGET AND CLASS CC FUSE BLOCKS TO DIN-RAIL

The DIN-rail adapter, DRM, provides quick mounting for all Mersen 303 series midget and class CC fuse blocks to all symmetrical 35mm DIN or asymmetrical 32mm "G" rail. A DRM adapter is attached to each pole with the screw provided. The DRM is molded of black polycarbonate and is mounted or dismounted from the rail simply by depressing the finger pull.



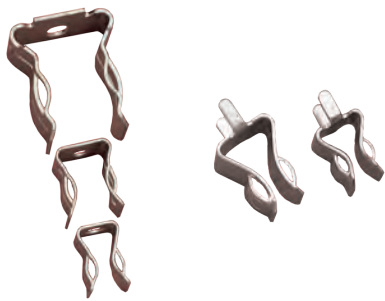
© 2025 Mersen. All rights reserved. Mersen reserves the right to change, update, or correct, without notice, any information contained in this datasheet.

Fuse Clips

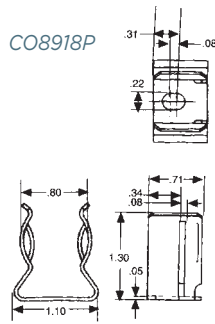
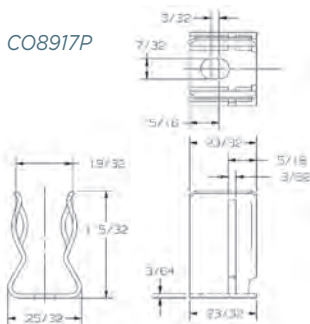
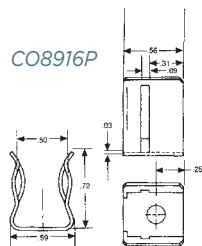
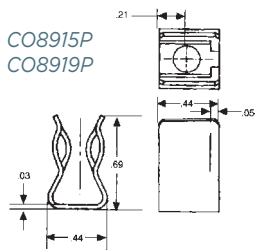
For Ferrule Fuses/PC Board Mount

FUSE BLOCKS & HOLDERS

30A & 60A FERRULE FUSE CLIPS



| Cat. No. | For Fuse Rating/Size | | | Mounting Details | |
|----------|----------------------|------------|--------------|------------------|------------|
| | Volts | Amps (max) | Ferrule Dia. | Hole Size | Screw Size |
| C08915P | 600 | 30 | 13/32" | .72 dia. | #8 |
| C08919P | 600 | 30 | 13/32" | .196 dia. | #10 |
| C08916P | 250 | 30 | 9/16" | .172 dia. | #8 |
| C08917P | 250 | 60 | 13/16" | .22 X .30" | #10 |
| | 600 | 30 | 13/16" | .22 X .30" | #10 |
| C08918P | 600 | 60 | 1-1/16" | .22 X .30" | #10 |

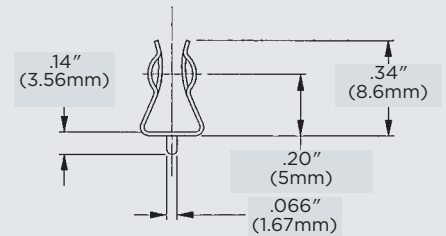


All clips are UL recognized: guide IZLT2, file E52283

All clips are tin-plated copper alloy, non-spring reinforced.

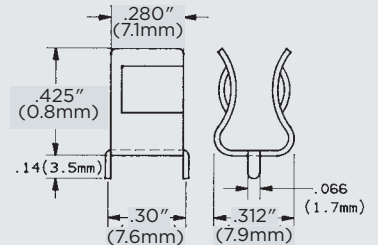
SDC5 PC BOARD CLIPS

- PC board mount fuse clip
- For 5mm diameter fuses
- Tin plated hard brass



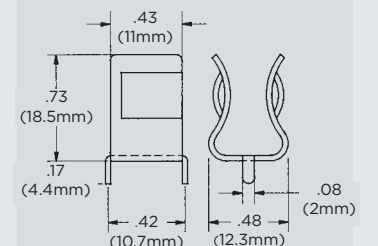
SDC6 PC BOARD CLIPS

- PC board mount fuse clip
- For 1/4" diameter fuses
- Tin plated hard brass



SDC7 PC BOARD CLIPS

- PC board mount fuse clip
- For 13/32" diameter fuses
- Tin plated hard brass



© 2025 Mersen. All rights reserved. Mersen reserves the right to change, update, or correct, without notice, any information contained in this datasheet.