



Your problem: On one hand you need current limiting protection for medium voltage transformers and distribution systems that supply industrial plants, shopping centers, hospitals, schools, office buildings and underground residential service. On the other, you need high short-circuit current protection to avoid damages to busway, motors, switches and other equipment.

Our solution: Current-limiting power fuses are widely used in these applications because they afford excellent over-current protection and noiseless operation, and because they can be used in confined spaces. The amount of damage in the faulted area and the mechanical stress and strain on busway, switches and other apparatus carrying the fault current is proportional to the square of the current and to the length of time the fault persists. By limiting the let through energy at the fault, properly applied current-limiting fuses assist in limiting or preventing short-circuit damage to busway, circuit breakers, switches, and other electrical components. Current-limiting power fuses are manufactured in ratings ranging from 1kV through 38kV and in continuous current ratings from 0.5 amperes through 1200 amperes. Various designs are available for use with motors, transformers, capacitors, and circuit-protection equipment.

Want more information fast? For more technical or application-specific information, please call our Medium Voltage experts at 978-248-8914 or visit our website at mersen.com.

Medium Voltage Fuses

**VARIOUS TYPES -
DIFFERENT CONFIGURATIONS -
MANY RATINGS -
ONE SOLUTION**

Transformer Protection

- Amp-Trap® CS-3 and 9F60/9F62 Series MV 2
- Amp-Trap® & 9F62 Bolt-In Series MV 14
- Amp-Trap® CL-14 Series MV 21

Motor Protection

- Amp-Trap® & 9F60 Series MV 25
- Amp-Trap® Bolt-in Series MV 31
- Amp-Trap® DIN-style Series MV 37

Potential Transformer Protection

- Amp-Trap® & 9F60 Series PT Fuses MV 39

Capacitor Protection

- Amp-Trap® & 9F60 Series MV 43

External Transformer Protection

- Sure Guard 9F59U Series ETP Fuses MV 51



Transformer Protection

Amp-Trap® CS-3 Series and 9F60/9F62 Series

MEDIUM VOLTAGE FUSES

2.75kV, 5.5kV, 8.25kV, 15.5kV, 25.8kV AND 38kV
FERRULE MOUNTED FUSES



Mersen fuses for the protection of transformers and distribution lines deliver overload and short circuit protection. These current-limiting fuses will melt at current that can be as low as 1.7 times the fuse current ratings up to its maximum interrupting rating. These fuses are designed to withstand the transformer magnetizing inrush current. They have 2 (size C), 3 (size D) and 4 (size E) inch diameter barrels with ferrules and are mounted in spring reinforced clips.

FEATURES/BENEFITS:

- Amp-Trap CS-3 and 9F62 series are UL listed for compatibility with UL listed equipment.
- Ferrule mounting for standard clips and interchangeability with other brands of fuses.
- Current-limiting for superior equipment protection.
- Non-venting for silent operation.
- Metal embossed catalog number and manufacturing date for lasting identification.
- Outdoor usage for the 9F62 and 9F60 type EJO.
- Blown-fuse indicator to give positive identification of open fuse:
 - Amp-Trap, 2" Barrel: 1 lb tripped force - 0.19 inch
 - Amp-Trap, 3" Barrel: 1 lb tripped force - 0.44 inch
 - Amp-Trap, 3" Barrel, Striker: 5 lb tripped force - 1 inch
 - 9F60/9F62: 0.125 lb tripped force - 0.20 inch
- Accessories - see Section FB

RATINGS

- See next page for listing

HIGHLIGHTS:

- E-Rated
- UL listed
- Outdoor use



APPLICATIONS:

- Protection for 2.4kV to 34.5kV transformers or distribution systems.

APPROVALS:

- Some UL listed to standard File E143362



DEFINITIONS:

General Purpose Current-Limiting Fuses (Per IEEE Std C37.41-2016):

A general purpose current-limiting fuse is one that is capable of interrupting all currents, from its rated maximum interrupting current down to a low value equal to the current that causes melting of the fuse elements in one hour or more, under specified conditions.

E-Rating: E-Rated fuses operate as follows (per IEEE C37.42-2016):

- 100E or less – must melt in 300 seconds (5 mins.) at 200 to 240% of E (ampere) rating.
- Over 100E – must melt in 600 seconds (10 mins.) at 220 to 264% of E (ampere) rating.
- Example: A 100E fuse must melt in 300 seconds with an applied current of 200 to 240 amperes.

Power Distribution Fuses:

Defines fuses designed prior to the time where the ANSI standards defined the term “General Purpose” and do not meet all of the general purpose definition. These fuses are capable of interrupting all currents above 2.2 to 3 times the fuse’s rated current up to its maximum interrupting rating.

FERRULE MOUNTED FUSES

Amp-Trap CS-3 Series: (Indoors or outdoors in a weatherproof enclosure)

A055F: 5.5kV – AC: 5E to 450E – 63kA I.R. Sym

A825X: 8.25kV – AC: 10E to 200E – 70kA I.R. Sym

A155F: 15.5kV – AC: 5E to 200E – 50 kA I.R. Sym

9F62 Series Type EJO-1: (Indoors and outdoors, to 80kA)

9F62: 5.5kV – AC: 25A to 450A – 50kA IR Sym

9F62: 8.3kV – AC: 20A to 250A – 50 kA IR Sym

9F62: 15.5kV – AC: 20A to 200A – 50 kA IR Sym



9F60 Series Type EJO-1: (Indoors and outdoors)

9F60: 2.75kV – AC: 1E to 200E – 50kA IR Sym

9F60: 5.5kV – AC: 0.5E to 200E – 50kA IR Sym

9F60: 8.25kV – AC: 0.5E to 200E – 50kA IR Sym

9F60: 15.5kV – AC: 0.5E to 100E – 50kA to 120kA IR Sym

9F60: 25.8kV – AC: 0.5E to 100E – 25kA to 35kA IR Sym

9F60: 38kV – AC: 1E to 80E – 13kA to 26kA IR Sym



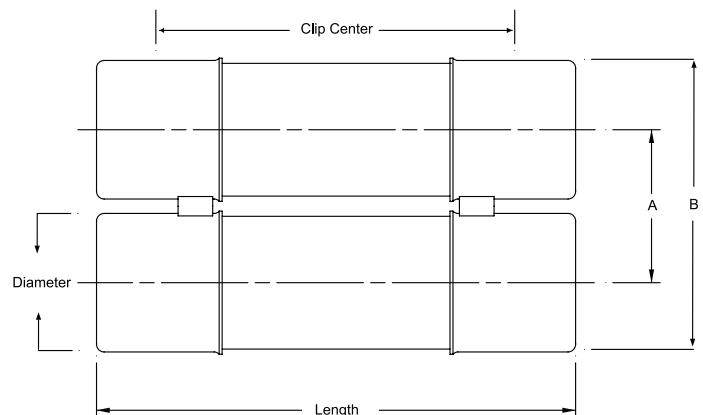
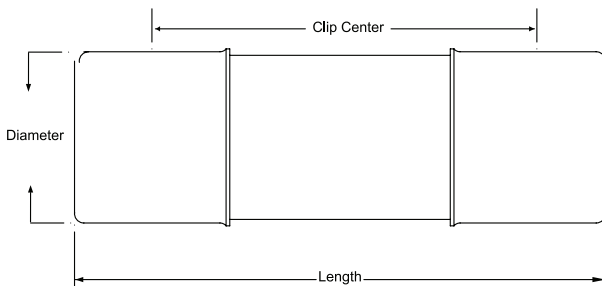
9F60 Series Type EJ-1: (Indoors or outdoors in a weatherproof enclosure)

9F60: 2.75kV – AC: 1E to 200E – 47kA to 52kA IR Sym

9F60: 5.5kV – AC: 0.5E to 25E – 63kA IR Sym

9F60: 15.5kV – AC: 2E to 175E – 31kA to 82kA IR Sym

9F60: 25.8kV – AC: 0.5E to 2E – 35kA IR Sym



9F series A = 3.31 inches (84mm)

9F series B = 6.3 inches (160mm)

Amp-Trap series A = 3.63 inches (92 mm)

Amp-Trap series B = 6.63 inches (169 mm)

2.75kV FERRULE MOUNTED FUSES:

2.75kV Power Distribution fuses – 9F60 series, E-Rated EJ-1

7" (178 mm) Clip Centers - Suitable for use indoors or in an enclosure only

| Catalog No. | Amp Rating | No. of Barrels | Indicating | Diameter Inches (mm) | Length Inches (mm) | Max Voltage | Max IR RMS Sym | Fuse Support Indoor (EK-1) | Fuse Support Outdoor (EK0-1) | Fuse Disconnect Indoor (EK-3) | Fuse Disconnect Outdoor (EK0-3) |
|-------------|------------|----------------|------------|----------------------|--------------------|-------------|----------------|----------------------------|------------------------------|-------------------------------|---------------------------------|
| 9F60CCB001 | 1E | 1 | Yes | 2 (50.8) | 9.18 (233) | 2.75 kV | 47kA | 9F61AAB201 | N/A | 9F61AAB205 | N/A |
| 9F60CCB002 | 2E | | | | | | | | | | |
| 9F60CCB003 | 3E | | | | | | | | | | |
| 9F60CCB005 | 5E | | | | | | | | | | |
| 9F60CCB007 | 7E | | | | | | | | | | |
| 9F60CCB010 | 10E | | | | | | | | | | |
| 9F60CCB015 | 15E | 1 | Yes | 2 (50.8) | 9.18 (233) | 2.75 kV | 52kA | 9F61AAB201 | N/A | 9F61AAB205 | N/A |
| 9F60CCB020 | 20E | | | | | | | | | | |
| 9F60CCB025 | 25E | | | | | | | | | | |
| 9F60ECB030 | 30E | 1 | Yes | 3 (76.2) | 10.88 (276) | 2.75 kV | 52kA | 9F61AAB301 | N/A | 9F61AAB305 | N/A |
| 9F60ECB040 | 40E | | | | | | | | | | |
| 9F60ECB050 | 50E | | | | | | | | | | |
| 9F60ECB065 | 65E | | | | | | | | | | |
| 9F60ECB080 | 80E | | | | | | | | | | |
| 9F60ECB100 | 100E | | | | | | | | | | |
| 9F60GCB125 | 125E | 2 | Yes | 3 (76.2) | 10.88 (276) | 2.75 kV | 52kA | N/A | N/A | N/A | N/A |
| 9F60GCB150 | 150E | | | | | | | | | | |
| 9F60GCB200 | 200E | | | | | | | | | | |

2.75kV Power Distribution fuses – 9F60 series, E-Rated EJ-1

9" (229 mm) Clip Centers - Suitable for use indoors or in an enclosure only

| Catalog No. | Amp Rating | No. of Barrels | Indicating | Diameter Inches (mm) | Length Inches (mm) | Max Voltage | Max IR RMS Sym | Fuse Support Indoor (EK-1) | Fuse Support Outdoor (EK0-1) | Fuse Disconnect Indoor (EK-3) | Fuse Disconnect Outdoor (EK0-3) |
|-------------|------------|----------------|------------|----------------------|--------------------|-------------|----------------|----------------------------|------------------------------|-------------------------------|---------------------------------|
| 9F60CEB001 | 1E | 1 | Yes | 2 (50.8) | 11.18 (284) | 2.75 kV | 52kA | 9F61ACB201 | N/A | 9F61ACB205 | N/A |
| 9F60CEB002 | 2E | | | | | | | | | | |
| 9F60CEB003 | 3E | | | | | | | | | | |
| 9F60CEB005 | 5E | | | | | | | | | | |
| 9F60CEB007 | 7E | | | | | | | | | | |
| 9F60CEB010 | 10E | | | | | | | | | | |
| 9F60CEB015 | 15E | | | | | | | | | | |
| 9F60CEB020 | 20E | | | | | | | | | | |
| 9F60CEB025 | 25E | | | | | | | | | | |

© 2025 Mersen. All rights reserved. Mersen reserves the right to change, update, or correct, without notice, any information contained in this datasheet.

2.75kV Power Distribution fuses - 9F60 Series, E-Rated EJO-1

12" (305 mm) Clip Centers - Suitable for use indoors or outdoors



| Catalog No | Amp Rating | No. of Barrels | Indicating | Diameter Inches (mm) | Length Inches (mm) | Max Voltage | Max IR RMS Sym | Fuse Support Indoor (EK-1) | Fuse Support Outdoor (EK0-1) | Fuse Disconnect Indoor (EK-3) | Fuse Disconnect Outdoor (EK0-3) |
|------------|------------|----------------|------------|----------------------|--------------------|-------------|----------------|----------------------------|------------------------------|-------------------------------|---------------------------------|
| 9F60DJB001 | 1E | 1 | Yes | 2 (50.8) | 14.18 (360) | 2.75 kV | 50kA | 9F61AEG201 | 9F61CEF209 | 9F61AEG205 | 9F61CEF210 |
| 9F60DJB002 | 2E | | | | | | | | | | |
| 9F60DJB003 | 3E | | | | | | | | | | |
| 9F60DJB005 | 5E | | | | | | | | | | |
| 9F60DJB007 | 7E | | | | | | | | | | |
| 9F60DJB010 | 10E | | | | | | | | | | |
| 9F60DJB015 | 15E | | | | | | | | | | |
| 9F60DJB020 | 20E | | | | | | | | | | |
| 9F60DJB025 | 25E | | | | | | | | | | |
| 9F60FJB030 | 30E | 1 | Yes | 3 (76.2) | 15.88 (403) | 2.75 kV | 50kA | 9F61AEB301 | 9F61CEF309 | 9F61AEB305 | 9F61CEF310 |
| 9F60FJB040 | 40E | | | | | | | | | | |
| 9F60FJB050 | 50E | | | | | | | | | | |
| 9F60FJB065 | 65E | | | | | | | | | | |
| 9F60FJB080 | 80E | | | | | | | | | | |
| 9F60FJB100 | 100E | | | | | | | | | | |
| 9F60FJL030 | 30E | 1 | No | 3 (76.2) | 15.88 (403) | 2.75 kV | 50kA | 9F61AEB301 | 9F61CEF309 | 9F61AEB305 | 9F61CEF310 |
| 9F60FJL040 | 40E | | | | | | | | | | |
| 9F60FJL050 | 50E | | | | | | | | | | |
| 9F60FJL065 | 65E | | | | | | | | | | |
| 9F60FJL080 | 80E | | | | | | | | | | |
| 9F60FJL100 | 100E | | | | | | | | | | |
| 9F60HJB125 | 125E | 2 | Yes | 3 (76.2) | 15.88 (403) | 2.75 kV | 50kA | 9F61AEB401 | 9F61CEF409 | 9F61AEB405 | 9F61CEF410 |
| 9F60HJB150 | 150E | | | | | | | | | | |
| 9F60HJB200 | 200E | | | | | | | | | | |

© 2025 Mersen. All rights reserved. Mersen reserves the right to change, update, or correct, without notice, any information contained in this datasheet.

5.5kV FERRULE MOUNTED FUSES:

5.5kV Power Distribution fuses – 9F60 Series, E-Rated EJ-1

9" (229 mm) Clip Centers - Suitable for use indoors or in an enclosure only

| Catalog No. | Amp Rating | No. of Barrels | Indicating | Diameter Inches (mm) | Length Inches (mm) | Max Voltage | Max IR RMS Sym | Fuse Support Indoor (EK-1) | Fuse Support Outdoor (EK0-1) | Fuse Disconnect Indoor (EK-3) | Fuse Disconnect Outdoor (EK0-3) | |
|--------------|------------|----------------|------------|----------------------|--------------------|-------------|----------------|----------------------------|------------------------------|-------------------------------|---------------------------------|----|
| 9F60CED905 | 0.5E | 1 | Yes | 2 (50.8) | 11.18 (284) | 5.5 kV | 63kA | 9F61ACB201 | N/A | 9F61ACB205 | N/A | |
| 9F60CED001 | 1E | | | | | | | | | | | |
| 9F60CED002 | 2E | | | | | | | | | | | |
| 9F60CED003-S | 3E | | | | | | | | | | | |
| 9F60CED005 | 5E | | | | | | | | | | | |
| 9F60CED007 | 7E | | | | | | | | | | | |
| 9F60CED010 | 10E | | | | | | | | | | | |
| 9F60CED015 | 15E | | | | | | | | | | | |
| 9F60CED020 | 20E | | | | | | | | | | | |
| 9F60CED025 | 25E | | | | | | | | | | | |
| 9F60CEN010 | 10E | | | | | | | | | | | No |
| 9F60CEN015 | 15E | | | | | | | | | | | |
| 9F60CEN020 | 20E | | | | | | | | | | | |
| 9F60CEN025 | 25E | | | | | | | | | | | |

5.5kV E-Rated Amp-Trap CS-3 Series – UL Listed

12" (305 mm) Clip Centers - Suitable for use indoors or in an enclosure only



| Catalog No. | Amp Rating | No. of Barrels | Indicating | Diameter Inches (mm) | Length Inches (mm) | Max Voltage | Max IR RMS Sym | Fuse Support Indoor (EK-1) | Fuse Support Outdoor (EK0-1) | Fuse Disconnect Indoor (EK-3) | Fuse Disconnect Outdoor (EK0-3) |
|-----------------|------------|----------------|------------|----------------------|--------------------|-------------|----------------|----------------------------|------------------------------|-------------------------------|---------------------------------|
| A055F1COR0-5E | 5E | 1 | Yes | 2 (50.8) | 14.18 (360) | 5.5kV | 63kA | 9F61AEG201 | N/A | 9F61AEG205 | N/A |
| A055F1COR0-7E | 7E | | | | | | | | | | |
| A055F1COR0-10E | 10E | | | | | | | | | | |
| A055F1COR0-15E | 15E | | | | | | | | | | |
| A055F1COR0-20E | 20E | | | | | | | | | | |
| A055F1COR0-25E | 25E | | | | | | | | | | |
| A055F1COR0-30E | 30E | | | | | | | | | | |
| A055F1COR0-40E | 40E | | | | | | | | | | |
| A055F1COR0-50E | 50E | | | | | | | | | | |
| A055F1COR0-65E | 65E | | | | | | | | | | |
| A055F1DOR0-10E | 10E | 1 | Yes | 3 (76.2) | 15.88 (403) | 5.5kV | 63kA | 9F61AEB301 | N/A | 9F61AEB305 | N/A |
| A055F1DOR0-15E | 15E | | | | | | | | | | |
| A055F1DOR0-20E | 20E | | | | | | | | | | |
| A055F1DOR0-25E | 25E | | | | | | | | | | |
| A055F1DOR0-30E | 30E | | | | | | | | | | |
| A055F1DOR0-40E | 40E | | | | | | | | | | |
| A055F1DOR0-50E | 50E | | | | | | | | | | |
| A055F1DOR0-65E | 65E | | | | | | | | | | |
| A055F1DOR0-80E | 80E | | | | | | | | | | |
| A055F1DOR0-100E | 100E | | | | | | | | | | |
| A055F1DOR0-125E | 125E | | | | | | | | | | |
| A055F1DOR0-150E | 150E | | | | | | | | | | |
| A055F1DOR0-175E | 175E | | | | | | | | | | |
| A055F1DOR0-200E | 200E | | | | | | | | | | |
| A055F2DOR0-250E | 250E | 2 | Yes | 3 (76.2) | 15.88 (403) | 5.5kV | 63kA | - | N/A | - | N/A |
| A055F2DOR0-300E | 300E | | | | | | | | | | |
| A055F2DOR0-350E | 350E | | | | | | | | | | |
| A055F2DOR0-400E | 400E | | | | | | | | | | |
| A055F2DOR0-450E | 450E | | | | | | | | | | |

© 2025 Mersen. All rights reserved. Mersen reserves the right to change, update, or correct, without notice, any information contained in this datasheet.

5.5kV E-Rated Amp-Trap CS-3 series - UL Listed

12" (305 mm) Clip Centers - Suitable for use indoors or in an enclosure only



| Catalog No. | Amp Rating | No. of Barrels | Indicating | Diameter Inches (mm) | Length Inches (mm) | Max Voltage | Max IR RMS Sym | Fuse Support Indoor (EK-1) | Fuse Support Outdoor (EK0-1) | Fuse Disconnect Indoor (EK-3) | Fuse Disconnect Outdoor (EK0-3) |
|-----------------|------------|----------------|--------------|----------------------|--------------------|-------------|----------------|----------------------------|------------------------------|-------------------------------|---------------------------------|
| A055F1DSRO-10E | 10E | 1 | Yes, Striker | 3 (76.2) | 15.88 (403) | 5.5kV | 63kA | 9F61AEB301 | N/A | 9F61AEB305 | N/A |
| A055F1DSRO-15E | 15E | | | | | | | | | | |
| A055F1DSRO-20E | 20E | | | | | | | | | | |
| A055F1DSRO-25E | 25E | | | | | | | | | | |
| A055F1DSRO-30E | 30E | | | | | | | | | | |
| A055F1DSRO-40E | 40E | | | | | | | | | | |
| A055F1DSRO-50E | 50E | | | | | | | | | | |
| A055F1DSRO-65E | 65E | | | | | | | | | | |
| A055F1DSRO-80E | 80E | | | | | | | | | | |
| A055F1DSRO-100E | 100E | | | | | | | | | | |
| A055F1DSRO-125E | 125E | | | | | | | | | | |
| A055F1DSRO-150E | 150E | | | | | | | | | | |
| A055F1DSRO-175E | 175E | | | | | | | | | | |
| A055F1DSRO-200E | 200E | | | | | | | | | | |
| A055F2DSRO-250E | 250E | 2 | Yes, Striker | 3 (76.2) | 15.88 (403) | 5.5kV | 63kA | - | N/A | - | N/A |
| A055F2DSRO-300E | 300E | | | | | | | | | | |
| A055F2DSRO-350E | 350E | | | | | | | | | | |
| A055F2DSRO-400E | 400E | | | | | | | | | | |
| A055F2DSRO-450E | 450E | | | | | | | | | | |

5.5.kV General Purpose fuses - 9F62 Series, EJO-1 - UL Listed

12" (305 mm) Clip Centers - Suitable for use indoors or outdoors



| Catalog No. | Amp Rating | No. of Barrels | Indicating | Diameter Inches (mm) | Length Inches (mm) | Max Voltage | Max IR RMS Sym | Fuse Support Indoor (EK-1) | Fuse Support Outdoor (EK0-1) | Fuse Disconnect Indoor (EK-3) | Fuse Disconnect Outdoor (EK0-3) |
|-------------|------------|----------------|------------|----------------------|--------------------|-------------|----------------|----------------------------|------------------------------|-------------------------------|---------------------------------|
| 9F62HCB025 | 25 | 1 | Yes | 2 (50.8) | 14.18 (360) | 5.5 kV | 80kA | 9F61AEG201 | 9F61CEF209 | 9F61AEG205 | 9F61CEF210 |
| 9F62HCB030 | 30 | | | | | | | | | | |
| 9F62HCB040 | 40 | | | | | | | | | | |
| 9F62HCB050 | 50 | | | | | | | | | | |
| 9F62HCB065 | 65 | | | | | | | | | | |
| 9F62DCB080 | 80 | 1 | Yes | 3 (76.2) | 15.88 (403) | 5.5 kV | 80kA | 9F61AEB301 | 9F61CEF309 | 9F61AEB305 | 9F61CEF310 |
| 9F62DCB100 | 100 | | | | | | | | | | |
| 9F62DCB125 | 125 | | | | | | | | | | |
| 9F62DCB150 | 150 | | | | | | | | | | |
| 9F62DCB175 | 175 | | | | | | | | | | |
| 9F62DCB200 | 200 | | | | | | | | | | |
| 9F62FCB250 | 250 | 2 | Yes | 3 (76.2) | 15.88 (403) | 5.5 kV | 80kA | 9F61AEB401 | 9F61CEF409 | 9F61AEB405 | 9F61CEF410 |
| 9F62FCB300 | 300 | | | | | | 50kA | | | | |
| 9F62FCB350 | 350 | | | | | | | | | | |
| 9F62FCB400 | 400 | | | | | | | | | | |
| 9F62FCB450 | 450 | | | | | | | | | | |

© 2025 Mersen. All rights reserved. Mersen reserves the right to change, update, or correct, without notice, any information contained in this datasheet.

5.5kV General Purpose fuses – 9F62 Series, EJO-1 – UL Listed



12" (305 mm) Clip Centers - Suitable for use indoors or outdoors. Non-indicating for Class 1, Division 2 locations.

| Catalog No. | Amp Rating | No. of Barrels | Indicating | Diameter Inches (mm) | Length Inches (mm) | Max Voltage | Max IR RMS Sym. | Fuse Support Indoor (EK-1) | Fuse Support Outdoor (EK0-1) | Fuse Disconnect Indoor (EK-3) | Fuse Disconnect Outdoor (EK0-3) |
|-------------|------------|----------------|------------|----------------------|--------------------|-------------|-----------------|----------------------------|------------------------------|-------------------------------|---------------------------------|
| 9F62HCJ025 | 25 | 1 | No | 2 (50.8) | 14.13 (358.9) | 5.5 kV | 80kA | 9F61AEG201 | 9F61CEF209 | 9F61AEG205 | 9F61CEF210 |
| 9F62HCJ030 | 30 | | | | | | | | | | |
| 9F62HCJ040 | 40 | | | | | | | | | | |
| 9F62HCJ050 | 50 | | | | | | | | | | |
| 9F62HCJ065 | 65 | | | | | | | | | | |
| 9F62DCJ080 | 80 | 1 | No | 3 (76.2) | 15.88 (403.3) | 5.5 kV | 80kA | 9F61AEB301 | 9F61CEF309 | 9F61AEB305 | 9F61CEF310 |
| 9F62DCJ100 | 100 | | | | | | | | | | |
| 9F62DCJ125 | 125 | | | | | | | | | | |
| 9F62DCJ150 | 150 | | | | | | | | | | |
| 9F62DCJ175 | 175 | | | | | | | | | | |
| 9F62DCJ200 | 200 | | | | | | | | | | |
| 9F62FCJ250 | 250 | 2 | No | 3 (76.2) | 15.88 (403.3) | 5.5 kV | 80kA | 9F61AEB401 | 9F61CEF409 | 9F61AEB405 | 9F61CEF410 |
| 9F62FCJ300 | 300 | | | | | | | | | | |
| 9F62FCJ350 | 350 | | | | | | | | | | |
| 9F62FCJ400 | 400 | | | | | | | | | | |
| 9F62FCJ450 | 450 | | | | | | | | | | |
| | | | | | | 50kA | | | | | |

5.5kV Power Distribution fuses – 9F60 Series, E-Rated EJO-1



12" (305 mm) Clip Centers - Suitable for use indoors or outdoors

| Catalog No. | Amp Rating | No. of Barrels | Indicating | Diameter Inches (mm) | Length Inches (mm) | Max Voltage | Max IR RMS Sym. | Fuse Support Indoor (EK-1) | Fuse Support Outdoor (EK0-1) | Fuse Disconnect Indoor (EK-3) | Fuse Disconnect Outdoor (EK0-3) |
|-------------|------------|----------------|------------|----------------------|--------------------|-------------|-----------------|----------------------------|------------------------------|-------------------------------|---------------------------------|
| 9F60JD905 | 0.5E | 1 | Yes | 2 (50.8) | 14.18 (360) | 5.5 kV | 50kA | 9F61AEG201 | 9F61CEF209 | 9F61AEG205 | 9F61CEF210 |
| 9F60JD001 | 1E | | | | | | | | | | |
| 9F60JD002 | 2E | | | | | | | | | | |
| 9F60JD003 | 3E | | | | | | | | | | |
| 9F60JD005 | 5E | | | | | | | | | | |
| 9F60JD007 | 7E | | | | | | | | | | |
| 9F60JD010 | 10E | | | | | | | | | | |
| 9F60JD015 | 15E | | | | | | | | | | |
| 9F60JD020 | 20E | | | | | | | | | | |
| 9F60JD025 | 25E | | | | | | | | | | |
| 9F60FJD030 | 30E | 1 | Yes | 3 (76.2) | 15.88 (403) | 5.5 kV | 50kA | 9F61AEB301 | 9F61CEF309 | 9F61AEB305 | 9F61CEF310 |
| 9F60FJD040 | 40E | | | | | | | | | | |
| 9F60FJD050 | 50E | | | | | | | | | | |
| 9F60FJD065 | 65E | | | | | | | | | | |
| 9F60FJD080 | 80E | | | | | | | | | | |
| 9F60FJD100 | 100E | | | | | | | | | | |
| 9F60HJD125 | 125E | 2 | Yes | 3 (76.2) | 15.88 (403) | 5.5 kV | 50kA | 9F61AEB401 | 9F61CEF409 | 9F61AEB405 | 9F61CEF410 |
| 9F60HJD150 | 150E | | | | | | | | | | |
| 9F60HJD200 | 200E | | | | | | | | | | |

© 2025 Mersen. All rights reserved. Mersen reserves the right to change, update, or correct, without notice, any information contained in this datasheet.

8.25kV / 8.3kV FERRULE MOUNTED FUSES:

8.25kV E-Rated Amp-Trap CS-3 Series

12" (305 mm) Clip Centers - Suitable for use indoors or in an enclosure only

| Catalog No. | Amp Rating | No. of Barrels | Indicating | Diameter Inches (mm) | Length Inches (mm) | Max Voltage | Max IR RMS Sym | Fuse Support Indoor (EK-1) | Fuse Support Outdoor (EK0-1) | Fuse Disconnect Indoor (EK-3) | Fuse Disconnect Outdoor (EK0-3) |
|-------------|------------|----------------|------------|----------------------|--------------------|-------------|----------------|----------------------------|------------------------------|-------------------------------|---------------------------------|
| A825X10E-1 | 10E | 1 | Yes | 3 [76.2] | 15.88 [403] | 8.25kV | 70kA | 9F61AEG301 | N/A | 9F61AEG305 | N/A |
| A825X15E-1 | 15E | | | | | | | | | | |
| A825X20E-1 | 20E | | | | | | | | | | |
| A825X25E-1 | 25E | | | | | | | | | | |
| A825X30E-1 | 30E | | | | | | | | | | |
| A825X40E-1 | 40E | | | | | | | | | | |
| A825X50E-1 | 50E | | | | | | | | | | |
| A825X65E-1 | 65E | | | | | | | | | | |
| A825X80E-1 | 80E | | | | | | | | | | |
| A825X100E-1 | 100E | | | | | | | | | | |
| A825X125E-1 | 125E | 2 | Yes | 3 [76.2] | 15.88 [403] | 8.25kV | 70kA | - | N/A | - | N/A |
| A825X150E-1 | 150E | | | | | | | | | | |
| A825X200E-1 | 200E | | | | | | | | | | |

8.3kV General Purpose fuses - 9F62 Series, EJO-1 - UL Listed

12" (305 mm) Clip Centers - Suitable for use indoors or outdoors



| Catalog No. | Amp Rating | No. of Barrels | Indicating | Diameter Inches (mm) | Length Inches (mm) | Max Voltage | Max IR RMS Sym | Fuse Support Indoor (EK-1) | Fuse Support Outdoor (EK0-1) | Fuse Disconnect Indoor (EK-3) | Fuse Disconnect Outdoor (EK0-3) |
|-------------|------------|----------------|------------|----------------------|--------------------|-------------|----------------|----------------------------|------------------------------|-------------------------------|---------------------------------|
| 9F62HCC020 | 20A | 1 | Yes | 2 [50.8] | 14.18 [360] | 8.3 kV | 50kA | 9F61AEG201 | 9F61CEF209 | 9F61AEG205 | 9F61CEF210 |
| 9F62HCC025 | 25A | | | | | | | | | | |
| 9F62HCC030 | 30A | | | | | | | | | | |
| 9F62HCC040 | 40A | | | | | | | | | | |
| 9F62HCC050 | 50A | | | | | | | | | | |
| 9F62DCC065 | 65A | 1 | Yes | 3 [76.2] | 15.88 [403] | 8.3 kV | 50kA | 9F61AEG301 | 9F61CEF309 | 9F61AEG305 | 9F61CEF310 |
| 9F62DCC080 | 80A | | | | | | | | | | |
| 9F62DCC100 | 100A | | | | | | | | | | |
| 9F62DCC125 | 125A | | | | | | | | | | |
| 9F62DCC150 | 150A | | | | | | | | | | |
| 9F62FCC175 | 175A | 2 | Yes | 3 [76.2] | 15.88 [403] | 8.3 kV | 50kA | 9F61AEG401 | 9F61CEF409 | 9F61AEG405 | 9F61CEF410 |
| 9F62FCC200 | 200A | | | | | | | | | | |
| 9F62FCC250 | 250A | | | | | | | | | | |

8.25kV Power Distribution fuses - 9F60 Series, E-Rated EJO-1

12" (305 mm) Clip Centers - Suitable for use indoors or outdoors



| Catalog No. | Amp Rating | No. of Barrels | Indicating | Diameter Inches (mm) | Length Inches (mm) | Max Voltage | Max IR RMS Sym | Fuse Support Indoor (EK-1) | Fuse Support Outdoor (EK0-1) | Fuse Disconnect Indoor (EK-3) | Fuse Disconnect Outdoor (EK0-3) | | | | | | | | | | |
|-------------|------------|----------------|------------|----------------------|--------------------|-------------|----------------|----------------------------|------------------------------|-------------------------------|---------------------------------|---|-----|----------|-------------|---------|------|------------|------------|------------|------------|
| 9F60DJE905 | 0.5E | 1 | Yes | 2 [50.8] | 14.18 [360] | 8.25 kV | 50kA | 9F61AEG201 | 9F61CEF209 | 9F61AEG205 | 9F61CEF210 | | | | | | | | | | |
| 9F60DJE001 | 1E | | | | | | | | | | | | | | | | | | | | |
| 9F60DJE002 | 2E | | | | | | | | | | | | | | | | | | | | |
| 9F60DJE003 | 3E | | | | | | | | | | | | | | | | | | | | |
| 9F60DJE005 | 5E | | | | | | | | | | | | | | | | | | | | |
| 9F60DJE007 | 7E | | | | | | | | | | | | | | | | | | | | |
| 9F60DJE010 | 10E | | | | | | | | | | | | | | | | | | | | |
| 9F60DJE015 | 15E | | | | | | | | | | | | | | | | | | | | |
| 9F60DJE020 | 20E | | | | | | | | | | | | | | | | | | | | |
| 9F60DJE025 | 25E | | | | | | | | | | | | | | | | | | | | |
| 9F60DJE030 | 30E | 1 | Yes | 3 [76.2] | 15.88 [403] | 8.25 kV | 50kA | 9F61AEG301 | 9F61CEF309 | 9F61AEG305 | 9F61CEF310 | | | | | | | | | | |
| 9F60DJE040 | 40E | | | | | | | | | | | | | | | | | | | | |
| 9F60DJE050 | 50E | | | | | | | | | | | | | | | | | | | | |
| 9F60DJE065 | 65E | | | | | | | | | | | | | | | | | | | | |
| 9F60DJE080 | 80E | | | | | | | | | | | | | | | | | | | | |
| 9F60DJE100 | 100E | | | | | | | | | | | | | | | | | | | | |
| 9F60HJE125 | 125E | | | | | | | | | | | 2 | Yes | 3 [76.2] | 15.88 [403] | 8.25 kV | 50kA | 9F61AEG401 | 9F61CEF409 | 9F61AEG405 | 9F61CEF410 |
| 9F60HJE150 | 150E | | | | | | | | | | | | | | | | | | | | |
| 9F60HJE200 | 200E | | | | | | | | | | | | | | | | | | | | |

© 2025 Mersen. All rights reserved. Mersen reserves the right to change, update, or correct, without notice, any information contained in this datasheet.

15kV / 15.5kV FERRULE MOUNTED FUSES:

15.5kV Power Distribution fuses – 9F60 Series, E-Rated EJ-1

12" (305 mm) Clip Centers - Suitable for use indoors or in an enclosure only

| Catalog No. | Amp Rating | No. of Barrels | Indicating | Diameter Inches (mm) | Length Inches (mm) | Max Voltage | Max IR RMS Sym | Fuse Support Indoor (EK-1) | Fuse Support Outdoor (EK0-1) | Fuse Disconnect Indoor (EK-3) | Fuse Disconnect Outdoor (EK0-3) |
|-------------|------------|----------------|------------|----------------------|--------------------|-------------|----------------|----------------------------|------------------------------|-------------------------------|---------------------------------|
| 9F60CJH002 | 2E | 1 | Yes | 2 (50.8) | 14.18 (360) | 15.5 kV | 82kA | 9F61AEG201 | N/A | 9F61AEG205 | N/A |
| 9F60CJH003 | 3E | | | | | | | | | | |
| 9F60CJH005 | 5E | | | | | | | | | | |
| 9F60CJH007 | 7E | | | | | | | | | | |
| 9F60CJH010 | 10E | | | | | | | | | | |

15.5kV Power Distribution fuses – 9F60 Series, E-Rated EJO-1

15" (381 mm) Clip Centers - Suitable for use indoors or outdoors



| Catalog No. | Amp Rating | No. of Barrels | Indicating | Diameter Inches (mm) | Length Inches (mm) | Max Voltage | Max IR RMS Sym | Fuse Support Indoor (EK-1) | Fuse Support Outdoor (EK0-1) | Fuse Disconnect Indoor (EK-3) | Fuse Disconnect Outdoor (EK0-3) |
|-------------|------------|----------------|------------|----------------------|--------------------|-------------|----------------|---|------------------------------|---|---------------------------------|
| 9F60DMH905 | 0.5E | 1 | Yes | 2 (50.8) | 17.2 (437) | 15.5 kV | 120kA | 9F61AGG201 (13.8kV nominal - 95kV BIL) 9F61AGJ201 (14.4kV nominal - 110kV BIL) | 9F61CGL209 | 9F61AGG205 (13.8kV nominal - 95kV BIL) 9F61AGJ205 (14.4kV nominal - 110kV BIL) | 9F61CGL210 |
| 9F60DMH001 | 1E | | | | | | | | | | |
| 9F60DMH002 | 2E | | | | | | | | | | |
| 9F60DMH003 | 3E | | | | | | | | | | |
| 9F60DMH005 | 5E | | | | | | | | | | |
| 9F60DMH007 | 7E | | | | | | | | | | |
| 9F60DMH010 | 10E | | | | | | | | | | |
| 9F60FMH015 | 15E | 1 | Yes | 3 (76.2) | 18.88 (480) | 15.5 kV | 50kA | 9F61AGG301 (13.8kV nominal - 95kV BIL) 9F61AGJ301 (14.4kV nominal - 110kV BIL) | 9F61CGL309 | 9F61AGG305 (13.8kV nominal - 95kV BIL) 9F61AGJ305 (14.4kV nominal - 110kV BIL) | 9F61CGL310 |
| 9F60FMH020 | 20E | | | | | | | | | | |
| 9F60FMH025 | 25E | | | | | | | | | | |
| 9F60FMH030 | 30E | | | | | | | | | | |
| 9F60FMH040 | 40E | | | | | | | | | | |
| 9F60FMH050 | 50E | | | | | | | | | | |
| 9F60HMH065 | 65E | 2 | Yes | 3 (76.2) | 18.88 (480) | 15.5 kV | 50kA | 9F61AGG401 (13.8kV nominal - 95kV BIL) 9F61AGJ401 (14.4kV nominal - 110kV BIL) | 9F61CGL409 | 9F61AGG405 (13.8kV nominal - 95kV BIL) 9F61AGJ405 (14.4kV nominal - 110kV BIL) | 9F61CGL410 |
| 9F60HMH080 | 80E | | | | | | | | | | |
| 9F60HMH100 | 100E | | | | | | | | | | |

15.5kV General Purpose fuses – 9F62 Series, EJO-1 – UL Listed

15" (381 mm) Clip Centers - Suitable for use indoors or outdoors



| Catalog No. | Amp Rating | No. of Barrels | Indicating | Diameter Inches (mm) | Length Inches (mm) | Max Voltage | Max IR RMS Sym | Fuse Support Indoor (EK-1) | Fuse Support Outdoor (EK0-1) | Fuse Disconnect Indoor (EK-3) | Fuse Disconnect Outdoor (EK0-3) |
|-------------|------------|----------------|------------|----------------------|--------------------|-------------|----------------|---|------------------------------|---|---------------------------------|
| 9F62DDD050 | 50A | 1 | Yes | 3 (76.2) | 18.88 (480) | 15.5 kV | 50kA | 9F61AGG301 (13.8kV nominal - 95kV BIL) 9F61AGJ301 (14.4kV nominal - 110kV BIL) | 9F61CGL309 | 9F61AGG305 (13.8kV nominal - 95kV BIL) 9F61AGJ305 (14.4kV nominal - 110kV BIL) | 9F61CGL310 |
| 9F62DDD065 | 65A | | | | | | | | | | |
| 9F62DDD080 | 80A | | | | | | | | | | |
| 9F62DDD100 | 100A | | | | | | | | | | |
| 9F62FDD125 | 125A | 2 | Yes | 3 (76.2) | 18.88 (480) | 15.5 kV | 50kA | 9F61AGG401 (13.8kV nominal - 95kV BIL) 9F61AGJ401 (14.4kV nominal - 110kV BIL) | 9F61CGL409 | 9F61AGG405 (13.8kV nominal - 95kV BIL) 9F61AGJ405 (14.4kV nominal - 110kV BIL) | 9F61CGL410 |
| 9F62FDD150 | 150A | | | | | | | | | | |
| 9F62FDD175 | 175A | | | | | | | | | | |
| 9F62FDD200 | 200A | | | | | | | | | | |



15.5kV E-Rated Amp-Trap CS-3 series - UL Listed

15" (381 mm) Clip Centers - Suitable for use indoors or in an enclosure only

| Catalog No. | Amp Rating | No. of Barrels | Indicating | Diameter Inches (mm) | Length Inches (mm) | Max Voltage | Max IR RMS Sym | Fuse Support Indoor (EK-1) | Fuse Support Outdoor (EK0-1) | Fuse Disconnect Indoor (EK-3) | Fuse Disconnect Outdoor (EK0-3) |
|-----------------|------------|----------------|------------|----------------------|--------------------|-------------|----------------|---|------------------------------|---|---------------------------------|
| A155F1COR0-5E | 5E | 1 | Yes | 2 (50.8) | 17.03 (433) | 15.5kV | 50kA | 9F61AGG201 (13.8kV nominal - 95kV BIL) 9F61AGJ201 (14.4kV nominal - 110kV BIL) | N/A | 9F61AGG205 (13.8kV nominal - 95kV BIL) 9F61AGJ205 (14.4kV nominal - 110kV BIL) | N/A |
| A155F1COR0-7E | 7E | | | | | | | | | | |
| A155F1COR0-10E | 10E | | | | | | | | | | |
| A155F1COR0-15E | 15E | | | | | | | | | | |
| A155F1COR0-20E | 20E | | | | | | | | | | |
| A155F1COR0-25E | 25E | | | | | | | | | | |
| A155F1COR0-30E | 30E | 1 | Yes | 3 (76.2) | 18.87 (479) | 15.5kV | 50kA | 9F61AGG301 (13.8kV nominal - 95kV BIL) 9F61AGJ301 (14.4kV nominal - 110kV BIL) | N/A | 9F61AGG305 (13.8kV nominal - 95kV BIL) 9F61AGJ305 (14.4kV nominal - 110kV BIL) | N/A |
| A155F1DOR0-10E | 10E | | | | | | | | | | |
| A155F1DOR0-15E | 15E | | | | | | | | | | |
| A155F1DOR0-20E | 20E | | | | | | | | | | |
| A155F1DOR0-25E | 25E | | | | | | | | | | |
| A155F1DOR0-30E | 30E | | | | | | | | | | |
| A155F1DOR0-40E | 40E | 2 | Yes | 3 (76.2) | 18.87 (479) | 15.5kV | 50kA | - | N/A | - | N/A |
| A155F1DOR0-50E | 50E | | | | | | | | | | |
| A155F2DOR0-65E | 65E | | | | | | | | | | |
| A155F2DOR0-80E | 80E | | | | | | | | | | |
| A155F2DOR0-100E | 100E | | | | | | | | | | |

15.5kV E-Rated Amp-Trap CS-3 series with Striker - UL Listed

15" (381 mm) Clip Centers - Suitable for use indoors or in an enclosure only



| Catalog No. | Amp Rating | No. of Barrels | Indicating | Diameter Inches (mm) | Length Inches (mm) | Max Voltage | Max IR RMS Sym | Fuse Support Indoor (EK-1) | Fuse Support Outdoor (EK0-1) | Fuse Disconnect Indoor (EK-3) | Fuse Disconnect Outdoor (EK0-3) |
|-----------------|------------|----------------|--------------|----------------------|--------------------|-------------|----------------|---|------------------------------|---|---------------------------------|
| A155F1DSR0-10E | 10E | 1 | Yes, Striker | 3 (76.2) | 18.87 (479) | 15.5kV | 50kA | 9F61AGG301 (13.8kV nominal - 95kV BIL) 9F61AGJ301 (14.4kV nominal - 110kV BIL) | N/A | 9F61AGG305 (13.8kV nominal - 95kV BIL) 9F61AGJ305 (14.4kV nominal - 110kV BIL) | N/A |
| A155F1DSR0-15E | 15E | | | | | | | | | | |
| A155F1DSR0-20E | 20E | | | | | | | | | | |
| A155F1DSR0-25E | 25E | | | | | | | | | | |
| A155F1DSR0-30E | 30E | | | | | | | | | | |
| A155F1DSR0-40E | 40E | | | | | | | | | | |
| A155F1DSR0-50E | 50E | 2 | Yes, Striker | 3 (76.2) | 18.87 (479) | 15.5kV | 50kA | - | N/A | - | N/A |
| A155F2DSR0-65E | 65E | | | | | | | | | | |
| A155F2DSR0-80E | 80E | | | | | | | | | | |
| A155F2DSR0-100E | 100E | | | | | | | | | | |

15.5kV E-Rated Amp-Trap CS-3 series - UL Listed

18" (457 mm) Clip Centers - Suitable for use indoors or in an enclosure only



| Catalog No. | Amp Rating | No. of Barrels | Indicating | Diameter Inches (mm) | Length Inches (mm) | Max Voltage | Max IR RMS Sym | Fuse Support Indoor (EK-1) | Fuse Support Outdoor (EK0-1) | Fuse Disconnect Indoor (EK-3) | Fuse Disconnect Outdoor (EK0-3) |
|-----------------|------------|----------------|------------|----------------------|--------------------|-------------|----------------|----------------------------|------------------------------|-------------------------------|---------------------------------|
| A155F1DOR0-65E | 65E | 1 | Yes | 3 (76.2) | 21.75 (552) | 15.5kV | 50kA | - | N/A | - | N/A |
| A155F1DOR0-80E | 80E | | | | | | | | | | |
| A155F1DOR0-100E | 100E | | | | | | | | | | |
| A155F2DOR0-125E | 125E | 2 | Yes | 3 (76.2) | 21.75 (552) | 15.5kV | 50kA | - | N/A | - | N/A |
| A155F2DOR0-150E | 150E | | | | | | | | | | |
| A155F2DOR0-175E | 175E | | | | | | | | | | |
| A155F2DOR0-200E | 200E | | | | | | | | | | |

15.5kV E-Rated Amp-Trap CS-3 series with Striker - UL Listed

18" (457 mm) Clip Centers - Suitable for use indoors or in an enclosure only



| Catalog No. | Amp Rating | No. of Barrels | Indicating | Diameter Inches (mm) | Length Inches (mm) | Max Voltage | Max IR RMS Sym | Fuse Support Indoor (EK-1) | Fuse Support Outdoor (EK0-1) | Fuse Disconnect Indoor (EK-3) | Fuse Disconnect Outdoor (EK0-3) |
|-----------------|------------|----------------|--------------|----------------------|--------------------|-------------|----------------|----------------------------|------------------------------|-------------------------------|---------------------------------|
| A155F1DSR0-65E | 65E | 1 | Yes, Striker | 3 (76.2) | 21.75 (552) | 15.5kV | 50kA | - | N/A | - | N/A |
| A155F1DSR0-80E | 80E | | | | | | | | | | |
| A155F1DSR0-100E | 100E | | | | | | | | | | |
| A155F2DSR0-125E | 125E | 2 | Yes, Striker | 3 (76.2) | 21.75 (552) | 15.5kV | 50kA | - | N/A | - | N/A |
| A155F2DSR0-150E | 150E | | | | | | | | | | |
| A155F2DSR0-175E | 175E | | | | | | | | | | |
| A155F2DSR0-200E | 200E | | | | | | | | | | |

© 2025 Mersen. All rights reserved. Mersen reserves the right to change, update, or correct, without notice, any information contained in this datasheet.

25.8kV FERRULE MOUNTED FUSES:

25.8kV Power Distribution fuses – 9F60 Series, E-Rated EJ-1

15" (381 mm) Clip Centers - Suitable for use indoors or in an enclosure only

| Catalog No. | Amp Rating | No. of Barrels | Indicating | Diameter Inches (mm) | Length Inches (mm) | Max Voltage | Max IR RMS Sym | Fuse Support Indoor (EK-1) | Fuse Support Outdoor (EK0-1) | Fuse Disconnect Indoor (EK-3) | Fuse Disconnect Outdoor (EK0-3) |
|-------------|------------|----------------|------------|----------------------|--------------------|-------------|----------------|----------------------------|------------------------------|-------------------------------|---------------------------------|
| 9F60CMJ905 | 0.5E | 1 | Yes | 2 [50.8] | 17.20 [437] | 25.8 kV | 35kA* | - | N/A | - | N/A |
| 9F60CMJ001 | 1E | | | | | | | | | | |
| 9F60CMJ002 | 2E | | | | | | | | | | |

25.8kV Power Distribution fuses – 9F60 Series, E-Rated EJO-1

21" (533 mm) Clip Centers - Suitable for use indoors or outdoors



| Catalog No. | Amp Rating | No. of Barrels | Indicating | Diameter Inches (mm) | Length Inches (mm) | Max Voltage | Max IR RMS Sym | Fuse Support Indoor (EK-1) | Fuse Support Outdoor (EK0-1) | Fuse Disconnect Indoor (EK-3) | Fuse Disconnect Outdoor (EK0-3) |
|-------------|------------|----------------|------------|----------------------|--------------------|-------------|----------------|----------------------------|------------------------------|-------------------------------|---------------------------------|
| 9F60DNJ905 | 0.5E | 1 | Yes | 2 [50.8] | 23.18 [589] | 25.8 kV | 35kA* | 9F61AHM201 | 9F61CHM209 | 9F61AHM205 | 9F61CHM210 |
| 9F60DNJ001 | 1E | | | | | | | | | | |
| 9F60DNJ002 | 2E | | | | | | | | | | |
| 9F60DNJ003 | 3E | | | | | | | | | | |
| 9F60DNJ005 | 5E | | | | | | | | | | |
| 9F60DNJ007 | 7E | | | | | | | | | | |
| 9F60DNJ010 | 10E | | | | | | | | | | |
| 9F60FNJ015 | 15E | 1 | Yes | 3 [76.2] | 24.81 [630] | 25.8 kV | 25kA | 9F61AHM301 | 9F61CHM309 | 9F61AHM305 | 9F61CHM310 |
| 9F60FNJ020 | 20E | | | | | | | | | | |
| 9F60FNJ025 | 25E | | | | | | | | | | |
| 9F60FNJ030 | 30E | | | | | | | | | | |
| 9F60FNJ040 | 40E | | | | | | | | | | |
| 9F60FNJ050 | 50E | | | | | | | | | | |
| 9F60H NJ065 | 65E | 2 | Yes | 3 [76.2] | 24.81 [630] | 25.8 kV | 25kA | 9F61AHM401 | 9F61CHM409 | 9F61AHM405 | 9F61CHM410 |
| 9F60H NJ080 | 80E | | | | | | | | | | |
| 9F60H NJ100 | 100E | | | | | | | | | | |

* These fuses were designed and originally tested at a higher maximum interrupting rating value. Consult factory for further information.

© 2025 Mersen. All rights reserved. Mersen reserves the right to change, update, or correct, without notice, any information contained in this datasheet.

38kV FERRULE MOUNTED FUSES:

38kV Power Distribution fuses – 9F60 Series, E-Rated EJO-1

27" (686 mm) Clip Centers - Suitable for use indoors or outdoors



| Catalog No. | Amp Rating | No. of Barrels | Indicating | Diameter Inches (mm) | Length Inches (mm) | Max Voltage | Max IR RMS Sym | Fuse Support Indoor (EK-1) | Fuse Support Outdoor (EK0-1) | Fuse Disconnect Indoor (EK-3) | Fuse Disconnect Outdoor (EK0-3) |
|-------------|------------|----------------|------------|----------------------|--------------------|-------------|----------------|----------------------------|------------------------------|--------------------------------|----------------------------------|
| 9F60FPK001 | 1E | 1 | Yes | 3 (76.2) | 30.81 (783) | 38 kV | 50kA | - | 9F61CJN309 | - | 9F61CJN310 |
| 9F60FPK002 | 2E | | | | | | | | | | |
| 9F60FPK003 | 3E | | | | | | | | | | |
| 9F60FPK005 | 5E | | | | | | | | | | |
| 9F60FPK007 | 7E | | | | | | | | | | |
| 9F60FPK010 | 10E | | | | | | | | | | |
| 9F60FPK015 | 15E | 1 | Yes | 3 (76.2) | 30.81 (783) | 38 kV | 13kA | - | 9F61CJN309 | - | 9F61CJN310 |
| 9F60FPK020 | 20E | | | | | | | | | | |
| 9F60FPK025 | 25E | | | | | | | | | | |
| 9F60FPK030 | 30E | | | | | | | | | | |
| 9F60FPK040 | 40E | 2 | Yes | 3 (76.2) | 30.81 (783) | 38 kV | 13kA | - | 9F61CJN409 | - | 9F61CJN410 |
| 9F60HPK050 | 50E | | | | | | | | | | |
| 9F60HPK065 | 65E | | | | | | | | | | |
| 9F60HPK080 | 80E | 1 | No | 3 (76.2) | 30.81 (783) | 38 kV | 50kA | - | 9F61CJN309 | - | 9F61CJN310 |
| 9F60FPT001 | 1E | | | | | | | | | | |
| 9F60FPT002 | 2E | | | | | | | | | | |
| 9F60FPT003 | 3E | | | | | | | | | | |
| 9F60FPT005 | 5E | | | | | | | | | | |
| 9F60FPT007 | 7E | | | | | | | | | | |
| 9F60FPT010 | 10E | 1 | No | 3 (76.2) | 30.81 (783) | 38 kV | 13kA | - | 9F61CJN309 | - | 9F61CJN310 |
| 9F60FPT015 | 15E | | | | | | | | | | |
| 9F60FPT020 | 20E | | | | | | | | | | |
| 9F60FPT025 | 25E | | | | | | | | | | |
| 9F60FPT030 | 30E | | | | | | | | | | |
| 9F60FPT040 | 40E | 2 | No | 3 (76.2) | 30.81 (783) | 38 kV | 13kA | - | 9F61CJN409 | - | 9F61CJN410 |
| 9F60HPT050 | 50E | | | | | | | | | | |
| 9F60HPT065 | 65E | | | | | | | | | | |
| 9F60HPT080 | 80E | | | | | | | | | | |

© 2025 Mersen. All rights reserved. Mersen reserves the right to change, update, or correct, without notice, any information contained in this datasheet.

Transformer Protection

Amp-Trap® and 9F62 Bolt-In Series

MEDIUM VOLTAGE FUSES

5.0kV, 5.5kV, 7.2kV, 8.25kV, AND 15.5kV
BOLT-IN FUSES



Mersen fuses for the protection of transformers and distribution lines deliver overload and short circuit protection. These current-limiting fuses will melt at current that can be as low as 1.7 times the fuse current ratings up to its maximum interrupting rating. These fuses are designed to withstand the transformer magnetizing inrush current. They are single, double, triple or quadruple barrels 3 inch diameter (size D) with end mounts designed for bolting directly to equipment bus or terminal pads.

FEATURES/BENEFITS:

- UL listed for compatibility with UL listed equipment.
- Bolt-In mounting for direct connection to bus or terminals.
- Current-limiting for superior equipment protection.
- Non-venting for silent operation.
- Metal embossed catalog number and manufacturing date for lasting identification.
- Outdoor usage for the 9F62.
- Blown-fuse indicator to give positive identification of open fuse.
 - Amp-Trap: 1 lb tripped force - 0.44 Inch
 - 9F62: 0.125 lb tripped force - 0.20 Inch

HIGHLIGHTS:

- E-Rated
- UL listed
- Outdoor use



APPLICATIONS:

- Protection for 5.5kV to 15.5kV transformers or distribution systems.

Ratings:

Amp-Trap Bolt-in Series

A050B:

- **Volts:** 5.0kV AC
- **Amps:** 1200E
- **IR:** 59kA Sym

A055B:

- **Volts:** 5.5kV AC
- **Amps:** 10 to 900E
- **IR:** 50kA-63kA

A072B:

- **Volts:** 7.2kVAC
- **Amps:** 250 to 400E
- **IR:** 65kA Sym

A083B:

- **Volts:** 8.25kVAC
- **Amps:** 10 to 200E
- **IR:** 70kA Sym

A155B:

- **Volts:** 15.5kVAC
- **Amps:** 10 to 300E
- **IR:** 50kA Sym

9F62 Series Type EJO-1

9F62

- **Volts:** 5.5kVAC, 15.5VAC
- **Amps:** 300 to 900A
- **IR:** 50kA Sym

APPROVALS:

- Some UL Listed to standard File E143362



MERSEN.COM

MERSEN MV 14
Expertise, our source of energy

Distributed by Gross Automation | +1 (262) 252-1600 | sales@grossautomation.com

DEFINITIONS:

General Purpose Current-Limiting Fuses (Per IEEE Std C37.41-2016):

A general purpose current-limiting fuse is one that is capable of interrupting all currents, from its rated maximum interrupting current down to a low value equal to the current that causes melting of the fuse elements in one hour or more, under specified conditions.

E-Rating: E-Rated fuses operate as follows (Per IEEE C37.42-2016):

- 100E or less – must melt in 300 seconds (5 mins.) at 200 to 240% of E (ampere) rating.
- Over 100E – must melt in 600 seconds (10 mins.) at 220 to 264% of E (ampere) rating.
- Example: A 100E fuse must melt in 300 seconds with an applied current of 200 to 240 amperes.

5.0kV / 5.5kV BOLT-IN FUSES:

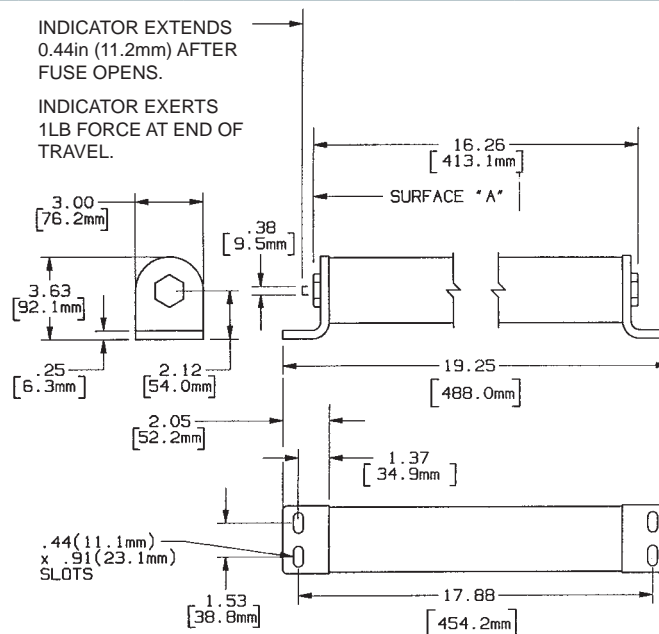
5.5kV E-Rated Amp-Trap Bolt-In Series – UL Listed



Suitable for use indoors or in an enclosure only

| Catalog Number | Amp Rating | No. of Barrels | Indicating | Max Voltage | Max IR RMS Sym | Figure |
|-----------------|------------|----------------|------------|-------------|----------------|--------|
| A055B1DARO-10E | 10E | 1 | Yes | 5.5kV | 63kA | A |
| A055B1DARO-15E | 15E | | | | | |
| A055B1DARO-20E | 20E | | | | | |
| A055B1DARO-25E | 25E | | | | | |
| A055B1DARO-30E | 30E | | | | | |
| A055B1DARO-40E | 40E | | | | | |
| A055B1DARO-50E | 50E | | | | | |
| A055B1DARO-65E | 65E | | | | | |
| A055B1DARO-80E | 80E | | | | | |
| A055B1DARO-100E | 100E | | | | | |
| A055B1DARO-125E | 125E | | | | | |
| A055B1DARO-150E | 150E | | | | | |
| A055B1DARO-175E | 175E | | | | | |
| A055B1DARO-200E | 200E | | | | | |

Figure A



© 2025 Mersen. All rights reserved. Mersen reserves the right to change, update, or correct, without notice, any information contained in this datasheet.

5.0kV / 5.5kV BOLT-IN FUSES:

5.5kV E-Rated Amp-Trap Bolt-In Series - UL Listed

Suitable for use indoors or in an enclosure only



| Catalog Number | Amp Rating | No. of Barrels | Indicating | Max Voltage | Max IR RMS Sym | Figure |
|-----------------|------------|----------------|------------|-------------|----------------|--------|
| A055B2DAR0-250E | 250E | 2 | Yes | 5.5kV | 63kA | B |
| A055B2DAR0-300E | 300E | | | | | |
| A055B2DAR0-350E | 350E | | | | | |
| A055B2DAR0-400E | 400E | | | | | |
| A055B2DAR0-450E | 450E | | | | | |
| A055B2DOR0-450E | 450E | 2 | Yes | 5.5kV | 63kA | C |
| A055B2DOR0-500E | 500E | | | | | |
| A055B2DOR0-600E | 600E | | | | | |
| A055B3DOR0-750E | 750E | 3 | Yes | 5.5kV | 63kA | D |
| A055B3DOR0-900E | 900E | | | | | |

Figure B

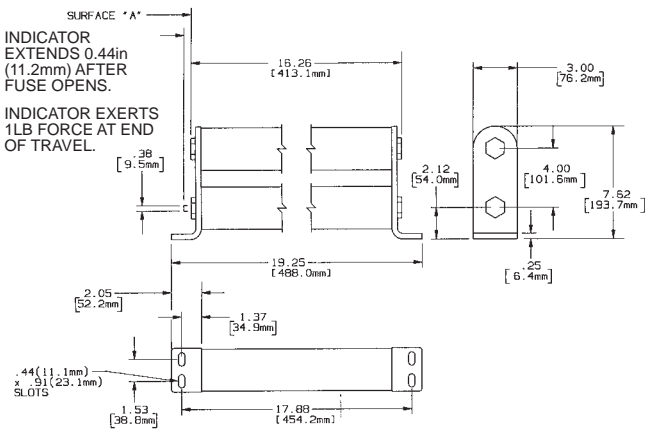


Figure C

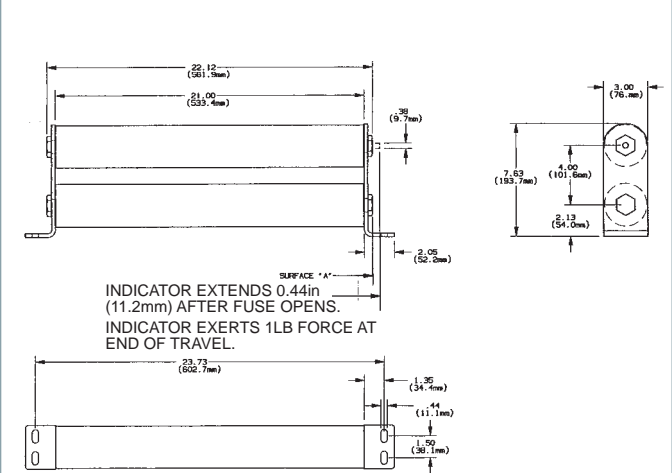
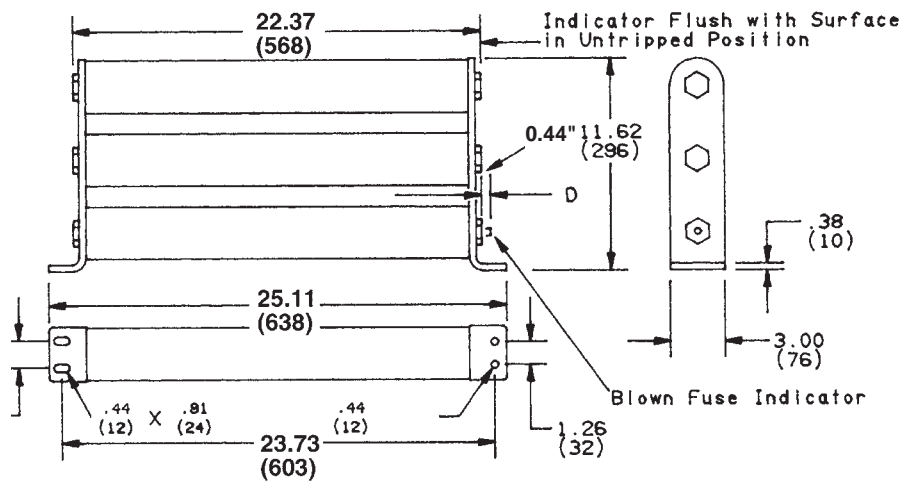


Figure D



© 2025 Mersen. All rights reserved. Mersen reserves the right to change, update, or correct, without notice, any information contained in this datasheet.

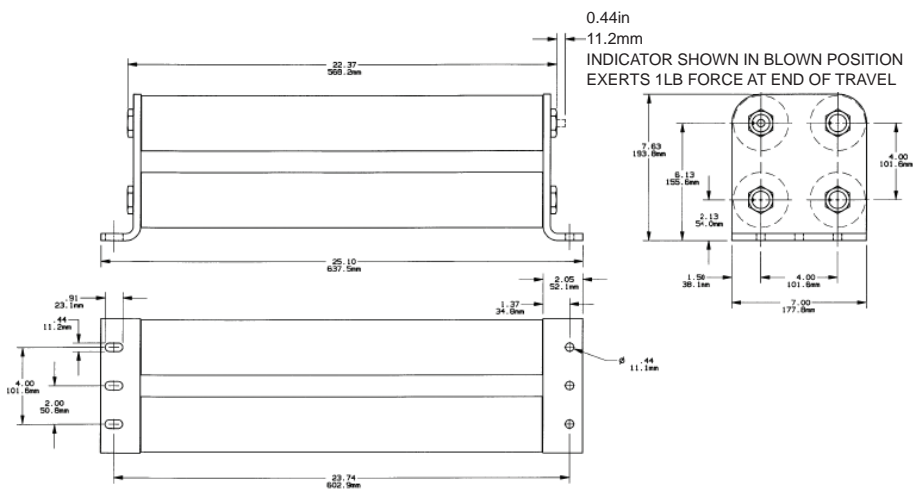
5.0kV / 5.5kV BOLT-IN FUSES:

5.0kV E-Rated Amp-Trap Bolt-In Series

Suitable for use indoors or in an enclosure only

| Catalog No. | Amp Rating | No. of Barrels | Indicating | Max Voltage | Max IR RMS Sym | Figure |
|------------------|------------|----------------|------------|-------------|----------------|--------|
| A050B4D0R0-1200E | 1200E | 4 | Yes | 5.0kV | 59kA | E |

Figure E



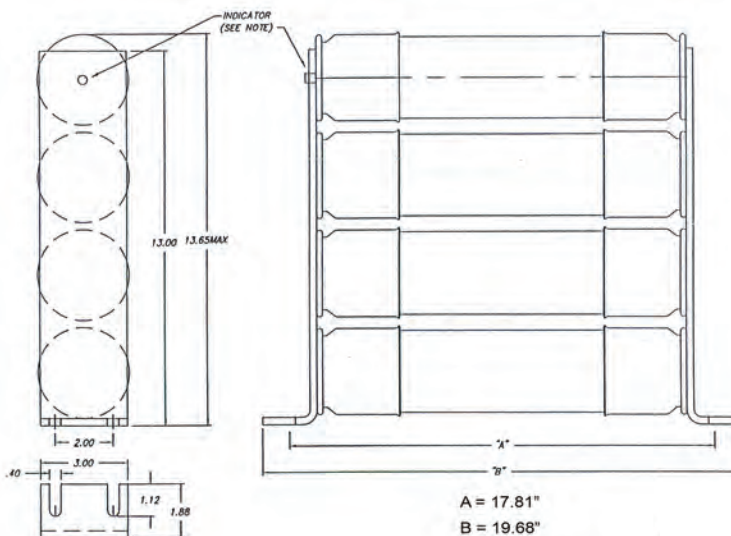
5.5kV General Purpose fuses - 9F62 Series, EJO-1 - UL Listed

Suitable for use indoors or outdoors



| Catalog No. | Amp Rating | No. of Barrels | Indicating | Max Voltage | Max IR RMS Sym | Figure | Fuse Support Indoor (EK-1) | Fuse Support Outdoor (EK0-1) |
|-------------|------------|----------------|------------|-------------|----------------|--------|----------------------------|------------------------------|
| 9F62KCB500 | 500A | 4 | Yes | 5.5 kV | 50kA | F | 9F61AKB001 | 9F61CKF009 |
| 9F62KCB600 | 600A | | | | | | | |
| 9F62KCB700 | 700A | | | | | | | |
| 9F62KCB800 | 800A | | | | | | | |
| 9F62KCB900 | 900A | | | | | | | |

Figure F



© 2025 Mersen. All rights reserved. Mersen reserves the right to change, update, or correct, without notice, any information contained in this datasheet.



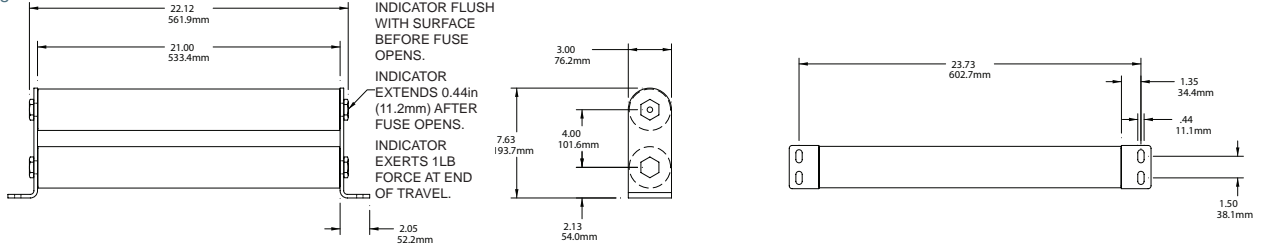
7.2kV / 8.25kV BOLT-IN FUSES:

7.2kV E-Rated Amp-Trap Bolt-In Series

Suitable for use indoors or in an enclosure only

| Catalog No. | Amp Rating | No. of Barrels | Indicating | Max Voltage | Max IR RMS Sym | Figure |
|-----------------|------------|----------------|------------|-------------|----------------|--------|
| A072B2D0R0-250E | 250E | 2 | Yes | 7.9kV | 65kA | G |
| A072B2D0R0-300E | 300E | | | | | |
| A072B2D0R0-350E | 350E | | | | | |
| A072B2D0R0-400E | 400E | | | | | |

Figure G



8.25kV E-Rated Amp-Trap Bolt-In Series

Suitable for use indoors or in an enclosure only

| Catalog No. | Amp Rating | No. of Barrels | Indicating | Max Voltage | Max IR RMS Sym | Figure |
|-----------------|------------|----------------|------------|-------------|----------------|--------|
| A083B1DAR0-10E | 10E | 1 | Yes | 8.25kV | 70kA | H |
| A083B1DAR0-15E | 15E | | | | | |
| A083B1DAR0-20E | 20E | | | | | |
| A083B1DAR0-25E | 25E | | | | | |
| A083B1DAR0-30E | 30E | | | | | |
| A083B1DAR0-40E | 40E | | | | | |
| A083B1DAR0-50E | 50E | | | | | |
| A083B1DAR0-80E | 80E | | | | | |
| A083B1DAR0-100E | 100E | | | | | |
| A083B2DAR0-125E | 125E | 2 | Yes | | | I |
| A083B2DAR0-150E | 150E | | | | | |
| A083B2DAR0-175E | 175E | | | | | |
| A083B2DAR0-200E | 200E | | | | | |

Figure H

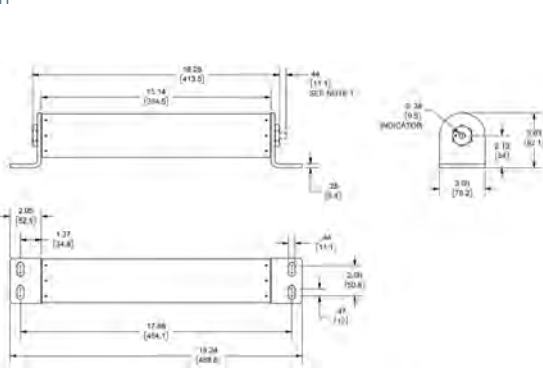
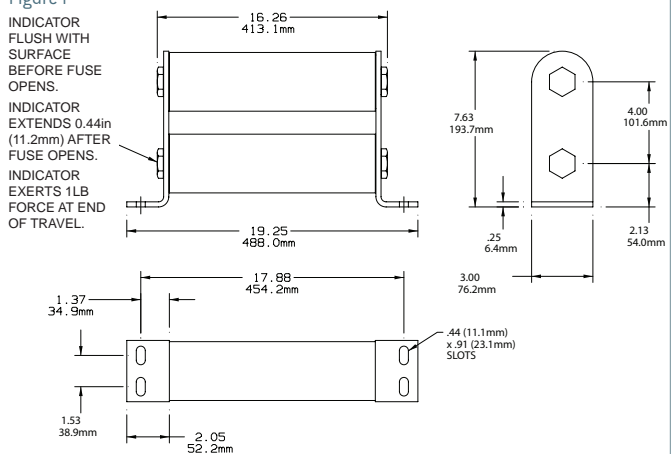


Figure I



© 2025 Mersen. All rights reserved. Mersen reserves the right to change, update, or correct, without notice, any information contained in this datasheet.

15.5kV BOLT-IN FUSES:

15. 5kV E-Rated Amp-Trap Bolt-In Series

Suitable for use indoors or in an enclosure only



| Catalog No. | Amp Rating | No. of Barrels | Indicating | Max Voltage | Max IR RMS Sym | Figure |
|-----------------|------------|----------------|------------|-------------|----------------|--------|
| A155B1D0R0-10E | 10E | 1 | Yes | 15.5kV | 50kA | J |
| A155B1D0R0-15E | 15E | 1 | Yes | 15.5kV | 50kA | J |
| A155B1D0R0-20E | 20E | 1 | Yes | 15.5kV | 50kA | J |
| A155B1D0R0-25E | 25E | 1 | Yes | 15.5kV | 50kA | J |
| A155B1D0R0-30E | 30E | 1 | Yes | 15.5kV | 50kA | J |
| A155B1D0R0-40E | 40E | 1 | Yes | 15.5kV | 50kA | J |
| A155B1D0R0-50E | 50E | 1 | Yes | 15.5kV | 50kA | J |
| A155B1D0R0-65E | 65E | 1 | Yes | 15.5kV | 50kA | K |
| A155B1D0R0-80E | 80E | 1 | Yes | 15.5kV | 50kA | K |
| A155B1D0R0-100E | 100E | 1 | Yes | 15.5kV | 50kA | K |
| A155B2D0R0-125E | 125E | 2 | Yes | 15.5kV | 50kA | L |
| A155B2D0R0-150E | 150E | 2 | Yes | 15.5kV | 50kA | L |
| A155B2D0R0-200E | 200E | 2 | Yes | 15.5kV | 50kA | L |
| A155B3D0R0-250E | 250E | 3 | Yes | 15.5kV | 50kA | M |
| A155B3D0R0-300E | 300E | 3 | Yes | 15.5kV | 50kA | M |

Figure J

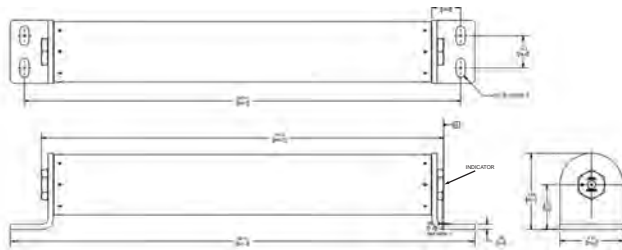


Figure K



Figure L

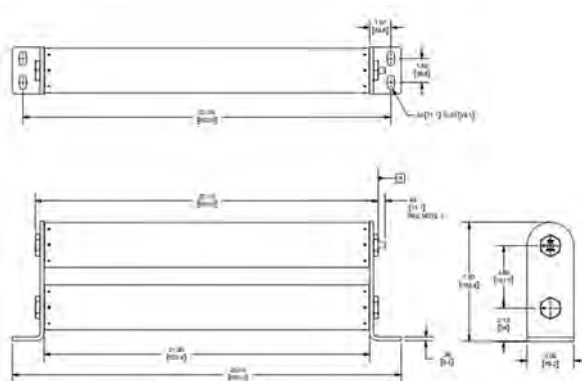
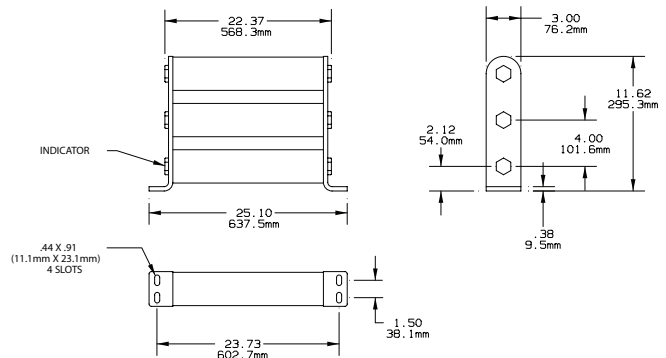


Figure M



© 2025 Mersen. All rights reserved. Mersen reserves the right to change, update, or correct, without notice, any information contained in this datasheet.

15.5kV BOLT-IN FUSES:

15.5kV General Purpose fuses – 9F60 Series, EJO-1

Suitable for use indoors or outdoors



| Catalog No. | Amp Rating | No. of Barrels | Indicating | Diameter Inches (mm) | Length Inches (mm) | Max Voltage | Max IR RMS Sym | Fig. | Fuse Support Indoor (EK-1) | Fuse Support Outdoor (EK0-1) | Fuse Disconnect Indoor (EK-3) | Fuse Disconnect Outdoor (EK0-3) |
|-------------|------------|----------------|------------|----------------------|--------------------|-------------|----------------|------|----------------------------|------------------------------|-------------------------------|---------------------------------|
| 9F60XMH125 | 125A | 4 | Yes | 3{76.2} | 22.65" {575.3} | 15.5 kV | 50 kA | N | 9F61GHL001 | 9FG1CHL009 | N/A | N/A |

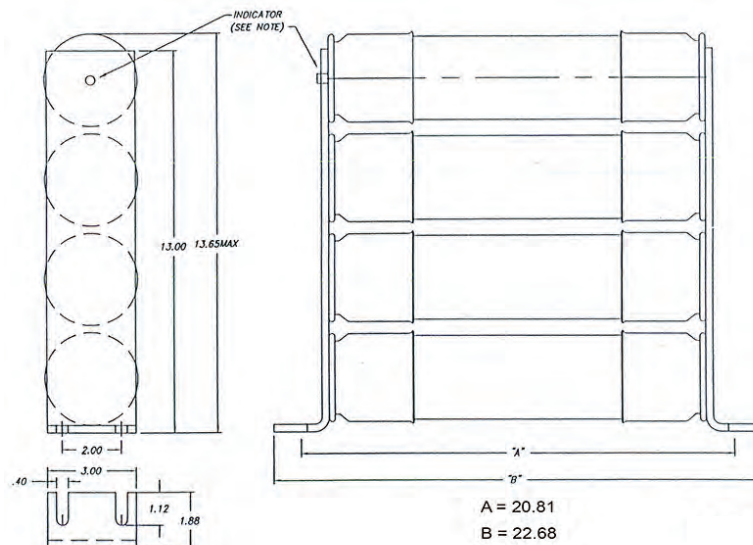
15.5kV General Purpose fuses – 9F62 Series, EJO-1 – UL Listed

Suitable for use indoors or outdoors



| Catalog No. | Amp Rating | No. of Barrels | Indicating | Max Voltage | Max IR RMS Sym | Figure | Fuse Support Indoor (EK-1) | Fuse Support Outdoor (EK0-1) |
|-------------|------------|----------------|------------|-------------|----------------|--------|----------------------------|------------------------------|
| 9F62KED300 | 300A | 4 | Yes | 15.5 kV | 50kA | N | 9F61AHG001 | 9F61CHL009 |

Figure N



© 2025 Mersen. All rights reserved. Mersen reserves the right to change, update, or correct, without notice, any information contained in this datasheet.

Transformer Protection

Amp-Trap® CL-14 Series

MEDIUM VOLTAGE FUSES

5.5kV, 8.25kV, AND 15.5kV
CLIP-LOCK MOUNTED FUSES



Mersen Amp-Trap fuses for the protection of transformers and distribution lines deliver overload and short circuit protection. These general purpose current-limiting fuses will melt at current that can be as low as 1.7 times the fuse current ratings up to its maximum interrupting rating. These fuses are designed to withstand the transformer magnetizing inrush current. They are single, double or triple barrels 3 inch diameter (size D) and mount in unique cam-locking clips for superior connections as well as easy installation and replacement.

FEATURES/BENEFITS:

- UL listed for compatibility with UL listed equipment.
- Clip-lock mounting for reliable high integrity connection into circuit.
- Current-limiting for superior equipment protection.
- Non-venting for silent operation.
- Metal embossed catalog number and manufacturing date for lasting identification.
- Blown-fuse indicator to give positive identification of open fuse.
 - 1 lb tripped force - 0.44 inch

HIGHLIGHTS:

- E-Rated
- UL listed

APPLICATIONS:

- Protection for 5.5kV to 15.5kV transformers or distribution systems.

Ratings:

Amp-Trap CL-14 Series

(Indoor or outdoors in a weatherproof enclosure)

A055C

- **Volts:** 5.5kV AC
- **Amps:** 10 to 600E
- **IR:** 63kA Sym

A083C:

- **Volts:** 8.25kV AC
- **Amps:** 60 to 200E
- **IR:** 70kA Sym

A155C

- **Volts:** 15.5kV AC
- **Amps:** 10 to 300E
- **IR:** 50kA Sym

APPROVALS:

- Some UL Listed to standard File E143362



See Fuse Blocks and Holders section for CL-14 Clip-Lock Clips

5.5kV CLIP-LOCK MOUNTED FUSES:

5.5kV E-Rated Amp-Trap CL-14 Series

15.25" (388mm) Clip Centers (dimension E). Suitable for use indoors or in an enclosure only.



| Catalog No. | Amp Rating | No. of Barrels | Indicating | Max Voltage | Max IR RMS Sym | Figure | Dimensions Inches (mm) | | | |
|-----------------|------------|----------------|------------|-------------|----------------|--------|------------------------|----------------|--|----------------|
| | | | | | | | A | B | C | E |
| A055C1D0R0-10E | 10E | 1 | Yes | 5.5kV | 63kA | A | 16.81 (427) | 16.12 (410) | 0.44 (11.1) Tripped Force 1 lbs. | 15.25 (388) |
| A055C1D0R0-15E | 15E | | | | | | | | | |
| A055C1D0R0-20E | 20E | | | | | | | | | |
| A055C1D0R0-25E | 25E | | | | | | | | | |
| A055C1D0R0-30E | 30E | | | | | | | | | |
| A055C1D0R0-40E | 40E | | | | | | | | | |
| A055C1D0R0-50E | 50E | | | | | | | | | |
| A055C1D0R0-65E | 65E | | | | | | | | | |
| A055C1D0R0-80E | 80E | | | | | | | | | |
| A055C1D0R0-100E | 100E | | | | | | | | | |
| A055C1D0R0-125E | 125E | | | | | | | | | |
| A055C1D0R0-150E | 150E | | | | | | | | | |

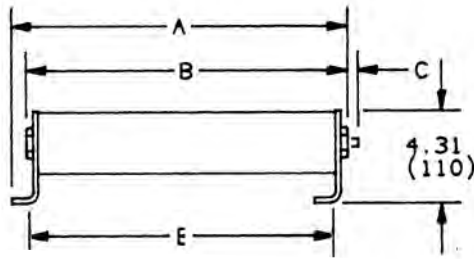


Figure A

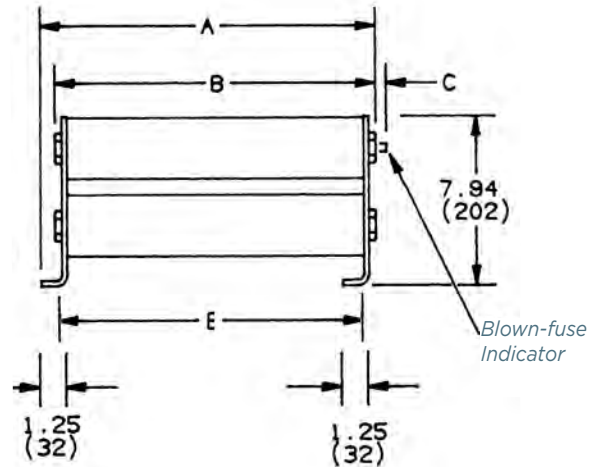


Figure B

5.5kV E-Rated Amp-Trap CL-14 Series

21.25" (540mm) Clip Centers (dimension E). Suitable for use indoors or in an enclosure only.



| Catalog No. | Amp Rating | No. of Barrels | Indicating | Max Voltage | Max IR RMS Sym | Figure | Dimensions Inches (mm) | | | |
|-----------------|------------|----------------|------------|-------------|----------------|--------|------------------------|----------------|--|----------------|
| | | | | | | | A | B | C | E |
| A055C1D0R0-200E | 200E | 1 | Yes | 5.5kV | 63kA | A | 22.81 (580) | 22.12 (562) | 0.44 (11.1) Tripped Force 1 lbs. | 21.25 (540) |
| A055C1D0R0-250E | 250E | | | | | | | | | |
| A055C1D0R0-300E | 300E | | | | | | | | | |
| A055C1D0R0-400E | 400E | 2 | Yes | 5.5kV | 63kA | B | 22.81 (580) | 22.12 (562) | 0.44 (11.1) Tripped Force 1 lbs. | 21.25 (540) |
| A055C2D0R0-450E | 450E | | | | | | | | | |
| A055C2D0R0-500E | 500E | | | | | | | | | |
| A055C2D0R0-600E | 600E | | | | | | | | | |

8.25kV CLIP-LOCK MOUNTED FUSES:

8.25kV E-Rated Amp-Trap CL-14 Series

15.70" (399mm) and 15.39 (391mm) Clip Centers (dimension E). Suitable for use indoors or in an enclosure only.

| Catalog No. | Amp Rating | No. of Barrels | Indicating | Max Voltage | Max IR RMS Sym | Figure | Dimensions Inches (mm) | | | |
|-----------------|------------|----------------|------------|-------------|----------------|--------|------------------------|-------------|--|-------------|
| | | | | | | | A | B | C | E |
| A083C1D0R0-60E | 60E | 1 | Yes | 8.25kV | 70kA | A | 16.95 (431) | 16.26 (413) | 0.44 (11.1) Tripped Force 1 lbs. | 15.39 (391) |
| A083C2D0R0-200E | 200E | 2 | Yes | 8.25kV | 70kA | B | 16.95 (431) | 16.26 (413) | 0.44 (11.1) Tripped Force 1 lbs. | 15.39 (391) |

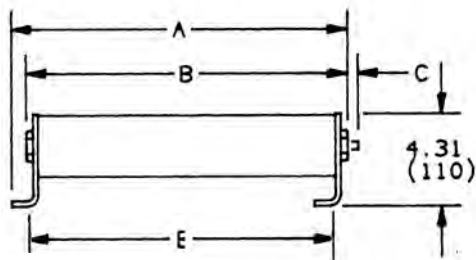


Figure A

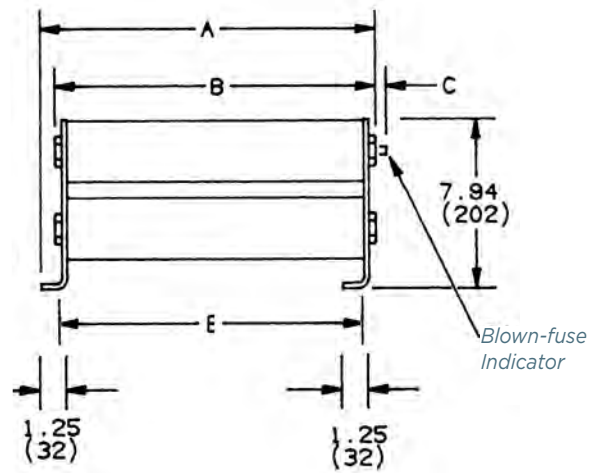


Figure B

15.5kV CLIP-LOCK MOUNTED FUSES:

15.5kV E-Rated Amp-Trap CL-14 Series

18.25" (464mm) Clip Centers (dimension E). Suitable for use indoors or in an enclosure only.



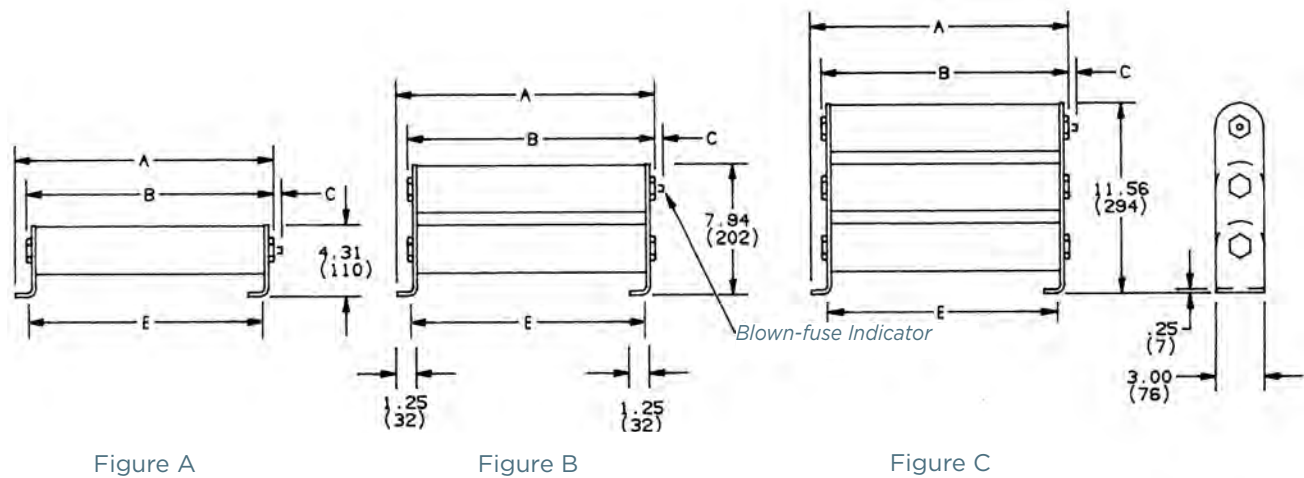
| Catalog No. | Amp Rating | No. of Barrels | Indicating | Max Voltage | Max IR RMS Sym | Figure | Dimensions Inches (mm) | | | |
|----------------|------------|----------------|------------|-------------|----------------|--------|------------------------|----------------|--|----------------|
| | | | | | | | A | B | C | E |
| A155C1D0R0-10E | 10E | 1 | Yes | 15.5kV | 50kA | A | 19.81 (504) | 19.12 (486) | 0.44 [11.1] Tripped Force 1 lbs. | 18.25 (464) |
| A155C1D0R0-15E | 15E | | | | | | | | | |
| A155C1D0R0-20E | 20E | | | | | | | | | |
| A155C1D0R0-25E | 25E | | | | | | | | | |
| A155C1D0R0-30E | 30E | | | | | | | | | |
| A155C1D0R0-40E | 40E | | | | | | | | | |
| A155C1D0R0-50E | 50E | | | | | | | | | |

15.5kV E-Rated Amp-Trap CL-14 Series

21.25" (540mm) Clip Centers (dimension E). Suitable for use indoors or in an enclosure only.



| Catalog No. | Amp Rating | No. of Barrels | Indicating | Max Voltage | Max IR RMS Sym | Figure | Dimensions Inches (mm) | | | |
|-----------------|------------|----------------|------------|-------------|----------------|--------|------------------------|----------------|--|----------------|
| | | | | | | | A | B | C | E |
| A155C1D0R0-65E | 65E | 1 | Yes | 15.5kV | 50kA | A | 22.81 (580) | 22.12 (562) | 0.44 [11.1] Tripped Force 1 lbs. | 21.25 (540) |
| A155C1D0R0-80E | 80E | | | | | | | | | |
| A155C1D0R0-100E | 100E | | | | | | | | | |
| A155C2D0R0-125E | 125E | 2 | Yes | 15.5kV | 50kA | B | 22.81 (580) | 22.12 (562) | 0.44 [11.1] Tripped Force 1 lbs. | 21.25 (540) |
| A155C2D0R0-150E | 150E | | | | | | | | | |
| A155C2D0R0-200E | 200E | | | | | | | | | |
| A155C3D0R0-150E | 150E | 3 | Yes | 15.5kV | 50kA | C | 22.81 (580) | 22.12 (562) | 0.44 [11.1] Tripped Force 1 lbs. | 21.25 (540) |
| A155C3D0R0-200E | 200E | | | | | | | | | |
| A155C3D0R0-250E | 250E | | | | | | | | | |
| A155C3D0R0-300E | 300E | | | | | | | | | |



© 2025 Mersen. All rights reserved. Mersen reserves the right to change, update, or correct, without notice, any information contained in this datasheet.

Motor Protection

Amp-Trap® and 9F60 Series

MEDIUM VOLTAGE FUSES

2.4kV, 2.54kV, 4.8kV, 5.08kV AND 7.2kV
FERRULE MOUNTED FUSES



Mersen R-Rated fuses are current-limiting, high interrupting rating fuses intended for the short circuit protection of medium voltage motors and motor controllers. R-Rated fuses are back-up fuses that have a minimum interrupting rating, and must be coordinated with overload relays in combination motor starters. These fuses come with a 3 (size D) or 4 (size E) inch diameter barrels with ferrules and are mounted in spring reinforced clips. Used in and required for replacement in motor controllers by many major manufacturers.

FEATURES/BENEFITS:

- The Amp-Trap and 9F60 R-Rated fuses are UL Recognized.
- Ferrule mounting for standard clips and interchangeability with other brands of fuses.
- Current-limiting for superior equipment protection.
- Metal embossed catalog number and manufacturing date for lasting identification.
- Blown-fuse indicator to give positive identification of open fuse.
 - Amp-Trap, 3" Barrel: 1 lb tripped force - 0.44 inch
 - 9F60: 0.125 lb tripped force - 0.20 inch
- Many parts offered in non-indicating versions for use in Class 1, Div 2 environments.
- Hook-eye option featured on some models for non-load break isolation by hookstick.
 - A051F part numbers include welded hook-eye feature and are designed for use in Eaton Ampgard MCC, and direct replacement for 5ACLS series Eaton fuses.
 - Optional hook-eye is also available on A480 part numbers, factory installed.

Ratings:

Amp-Trap

A240R

- **Volts:** 2.4kVAC
- **Amps:** 1 to 36R
- **IR:** 65kA Sym

A480R

- **Volts:** 4.8kVAC
- **Amps:** 2 to 36R
- **IR:** 64-65kA

A051F

- **Volts:** 5.08kV
- **Amps:** 2 to 24R
- **IR:** 50kA Sym

A072F

- **Volts:** 7.2kVAC
- **Amps:** 2 to 24R
- **IR:** 65kA Sym

9F60 SERIES TYPE EJ-2

9F60

- **Volts:** 2.54kVAC, 5.08kVAC
- **Amps:** 2 to 36R
- **IR:** 50kA Sym

APPLICATIONS:

- Short circuit protection of medium voltage motors and motor controllers.

APPROVALS:

- Amp-Trap: UL File E93367
- 9F60: UL File E191980



DEFINITIONS:

R-Rating: R-Rated fuses are back-up fuses that operate as follows (Per IEEE C37.42-2016): An R-Rated fuse will melt in the range of 15 to 35 seconds at a value of current equal to 100 times the “R” rating.

Back-up Current-Limiting Fuses: A back-up current-limiting fuse is a fuse that can interrupt any current between its rated minimum interrupting current and its maximum interrupting current. Back-up fuses are not designed or intended to open under overload conditions.

Continuous Ampere Rating at 40°C: The continuous amp rating defines the thermal capability of the fuse per IEEE C37.42-2016 and should not be the sole factor in fuse selection.

2.4kV FERRULE MOUNTED FUSES:

2.4kV R-Rated Amp-Trap Series

7.5" (191 mm) Clip Centers – Barrel diameter size D (3")



| Catalog No. | Size | Continuous Amp rating at 40°C | Minimum Interrupting Rating RMS Amp | No of Barrels | Fig. | Indicating | Dimension L Inches [mm] | 1 Phase interrupting rating | |
|-------------|-------|-------------------------------|-------------------------------------|---------------|------|------------|-------------------------|---|-----------------------------------|
| | | | | | | | | UL Component Recognition Max IR RMS Sym | Max Voltage Tested Max IR RMS Sym |
| A240R1R | 1R | 35 | 100 | 1 | A | Yes | 10.88 [276] | 65kA at 2.6kV | 65kA at 2.6kV |
| A240R2R | 2R | 70 | 170 | | | | | | |
| A240R3R | 3R | 100 | 250 | | | | | | |
| A240R4R | 4R | 130 | 340 | | | | | | |
| A240R5R | 5R | 150 | 420 | | | | | | |
| A240R6R | 6R | 170 | 500 | | | | | | |
| A240R9R | 9R | 200 | 760 | | | | | | |
| A240R12R | 12R | 230 | 1000 | 2 | B | | | | |
| A240R18R | 18R | 390 | 1500 | | | | | | |
| A240R24R | 24R | 450 | 2000 | | | | | | |
| A240R36R | 36R** | 650 | 2900 | 3 | C | | | | |

** Not recommended for use in fuse clips which grasp only one barrel.

2.4kV / 2.54kV Ferrule mounted fuses:

Indicator Flush with Surface

2 Lb. Force (Tripped)

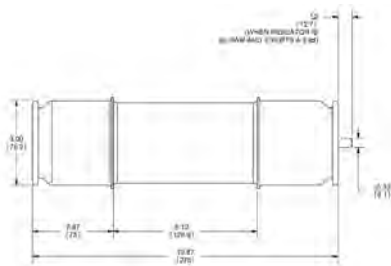


Figure A

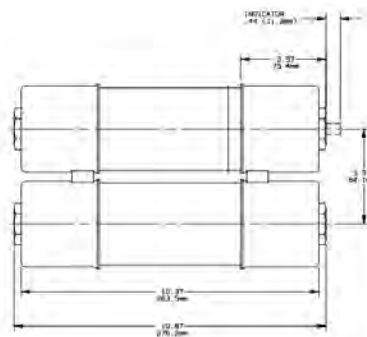


Figure B

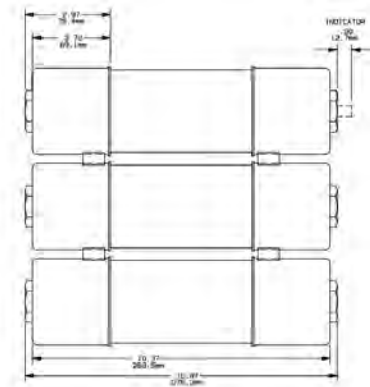


Figure C

© 2025 Mersen. All rights reserved. Mersen reserves the right to change, update, or correct, without notice, any information contained in this datasheet.



2.4kV AND 5.08kV FERRULE MOUNTED FUSES:

2.4kV R-Rated 9F60 EJ-2 Series

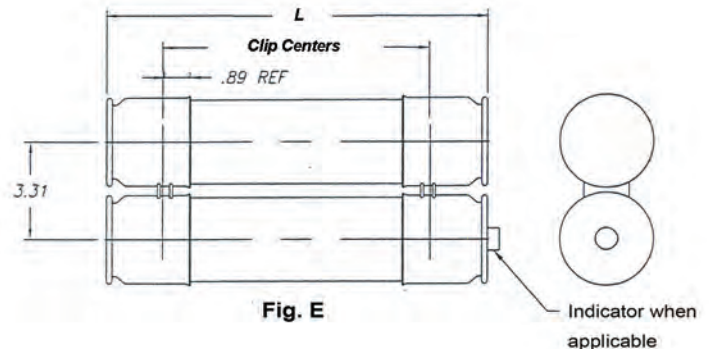
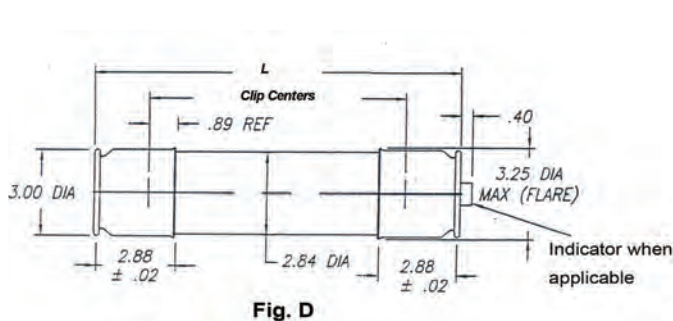
7" (179 mm) Clip Centers – Barrel diameter size D (3")

| Catalog No. | Size | Continuous Amp rating at 40°C | Minimum Interrupting Rating RMS Amp | No of Barrels | Fig. | Indicating | Dimension L Inches (mm) | 1 Phase interrupting rating | |
|-------------|------|-------------------------------|-------------------------------------|---------------|------|------------|-------------------------|---|-----------------------------------|
| | | | | | | | | UL Component Recognition Max IR RMS Sym | Max Voltage Tested Max IR RMS Sym |
| 9F60LCB502 | 2R | 70 | 195 | 1 | D | Yes | 10.88 [276] | 50kA at 2.54kV | 50kA at 2.54kV |
| 9F60LCB503 | 3R | 100 | 270 | | | | | | |
| 9F60LCB504 | 4R | 130 | 370 | | | | | | |
| 9F60LCB506 | 6R | 170 | 580 | | | | | | |
| 9F60LCB509 | 9R | 200 | 820 | | | | | | |
| 9F60LCB512 | 12X | 230 | 1150 | | | | | | |
| 9F60MCB518 | 18R | 390 | 1800 | 2 | E | | | | |
| 9F60MCB524 | 24R | 450 | 2400 | | | | | | |
| 9F60LCL302 | 2R | 70 | 195 | 1 | D | No | 10.88 [276] | 50kA at 2.54kV | 50kA at 2.54kV |
| 9F60LCL303 | 3R | 100 | 270 | | | | | | |
| 9F60LCL304 | 4R | 130 | 370 | | | | | | |
| 9F60LCL306 | 6R | 170 | 580 | | | | | | |
| 9F60LCL309 | 9R | 200 | 820 | | | | | | |
| 9F60LCL312 | 12X | 230 | 1150 | | | | | | |
| 9F60MCL318 | 18R | 390 | 1800 | 2 | E | | | | |
| 9F60MCL324 | 24R | 450 | 2400 | | | | | | |

5.08kV R-Rated 9F60 EJ-2 Series

12" (305 mm) Clip Centers – Barrel diameter size D (3")

| Catalog No. | Size | Continuous Amp rating at 40°C | Minimum Interrupting Rating RMS Amp | No of Barrels | Fig. | Indicating | Dimension L Inches (mm) | 1 Phase interrupting rating | |
|-------------|------|-------------------------------|-------------------------------------|---------------|------|------------|-------------------------|---|-----------------------------------|
| | | | | | | | | UL Component Recognition Max IR RMS Sym | Max Voltage Tested Max IR RMS Sym |
| 9F60LJD502 | 2R | 70 | 195 | 1 | D | Yes | 15.97 [406] | 50kA at 5.08kV | 50kA at 5.08kV |
| 9F60LJD503 | 3R | 100 | 270 | | | | | | |
| 9F60LJD504 | 4R | 130 | 370 | | | | | | |
| 9F60LJD506 | 6R | 170 | 580 | | | | | | |
| 9F60LJD509 | 9R | 200 | 820 | | | | | | |
| 9F60LJD512 | 12X | 230 | 1150 | | | | | | |
| 9F60MJD518 | 18R | 390 | 1800 | 2 | E | | | | |
| 9F60MJD524 | 24R | 450 | 2400 | | | | | | |
| 9F60LJN302 | 2R | 70 | 195 | 1 | D | No | 15.97 [406] | 50kA at 5.08kV | 50kA at 5.08kV |
| 9F60LJN303 | 3R | 100 | 270 | | | | | | |
| 9F60LJN304 | 4R | 130 | 370 | | | | | | |
| 9F60LJN306 | 6R | 170 | 580 | | | | | | |
| 9F60LJN309 | 9R | 200 | 820 | | | | | | |
| 9F60LJN312 | 12X | 230 | 1150 | | | | | | |
| 9F60MJN318 | 18R | 390 | 1800 | 2 | E | | | | |
| 9F60MJN324 | 24R | 450 | 2400 | | | | | | |



© 2025 Mersen. All rights reserved. Mersen reserves the right to change, update, or correct, without notice, any information contained in this datasheet.

4.8kV / 5.08kV FERRULE MOUNTED FUSES:

4.8kV R-Rated Amp-Trap Series

12.5" (317 mm) Clip Centers - Barrel diameter size D (3")



| Catalog No. | Size | Continuous Amp rating at 40°C | Minimum Interrupting Rating RMS Amp | No of Barrels | Fig. | Indicating | Dimension L Inches (mm) | 1 Phase interrupting rating | |
|-------------|-------|-------------------------------|-------------------------------------|---------------|------|------------|-------------------------|--|--------------------------------------|
| | | | | | | | | UL Component Recognition Max IR RMS Sym | Max Voltage Tested Max IR RMS Sym |
| A480R2R-1 | 2R | 70 | 190 | 1 | F | Yes | 15.88 (403) | 65kA at 5.5kV | 65kA at 5.5kV |
| A480R3R-1 | 3R | 100 | 225 | | | | | | |
| A480R4R-1 | 4R | 130 | 330 | | | | | | |
| A480R5R-1 | 5R | 150 | 400 | | | | | | |
| A480R6R-1 | 6R | 170 | 500 | | | | | | |
| A480R9R-1 | 9R | 200 | 740 | | | | | | |
| A480R12R-1 | 12R | 230 | 955 | 2 | G | | 64kA at 5.5kV | 64kA at 5.5kV | |
| A480R18R-1 | 18R | 390 | 1440 | | | | | | |
| A480R24R-1 | 24R | 450 | 1910 | | | | | | |
| A480R36R-1 | 36R** | 650 | 2810 | 3 | H | | | | |

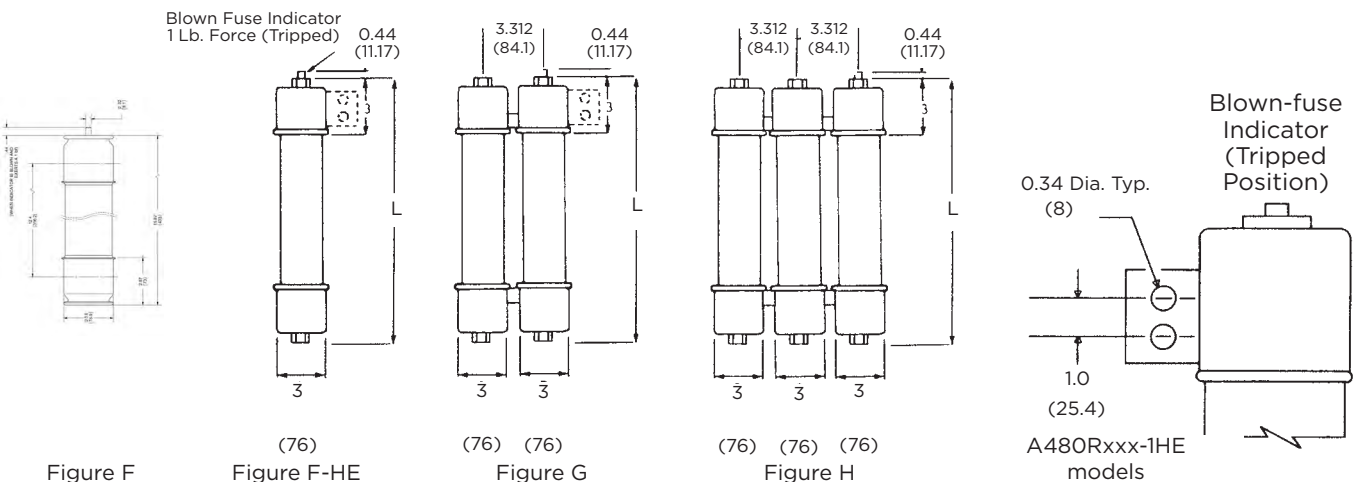
** Not recommended for use in fuse clips which grasp only one barrel.

4.8kV R-Rated Amp-Trap Series with Hookeye

12.75" (324 mm) Clip Centers - Barrel diameter size D (3")



| Catalog No. | Size | Continuous Amp rating at 40°C | Minimum Interrupting Rating RMS Amp | No of Barrels | Fig. | Indicating | Dimension L Inches (mm) | 1 Phase interrupting rating | |
|--------------|------|-------------------------------|-------------------------------------|---------------|------|------------|-------------------------|--|--------------------------------------|
| | | | | | | | | UL Component Recognition Max IR RMS Sym | Max Voltage Tested Max IR RMS Sym |
| A480R2R-1HE | 2R | 70 | 190 | 1 | F-HE | Yes | 16.13 (410) | 50kA at 5.08kV | 63kA at 5.5kV |
| A480R3R-1HE | 3R | 100 | 225 | | | | | | |
| A480R4R-1HE | 4R | 130 | 330 | | | | | | |
| A480R5R-1HE | 5R | 150 | 400 | | | | | | |
| A480R6R-1HE | 6R | 170 | 500 | | | | | | |
| A480R9R-1HE | 9R | 200 | 740 | | | | | | |
| A480R12R-1HE | 12R | 230 | 955 | 2 | G | | | | |
| A480R18R-1HE | 18R | 390 | 1440 | | | | | | |
| A480R24R-1HE | 24R | 450 | 1910 | | | | | | |



4.8kV / 5.08kV FERRULE MOUNTED FUSES:

5.08kV R-Rated Amp-Trap Ferrule Mount w/ Hookeye, for use in Ampgard Switchgear



| Catalog No. | Size | Continuous Amp rating at 40°C | Rated Minimum Interrupting Current | No of Barrels | Fig. | Indicating | Dimension L Inches (mm) | UL Component Recognition Max IR RMS Sym | Max Voltage Tested Max IR RMS Sym |
|----------------|------|-------------------------------|------------------------------------|---------------|------|------------|-------------------------|--|--------------------------------------|
| A051F1DHR0-2R | 2R | 70 | 220 | 1 | I | Yes** | 15.88 (403.2) | 50kA @5.08kV | 50kA @5.08kV |
| A051F1DHR0-3R | 3R | 100 | 270 | | | | | | |
| A051F1DHR0-4R | 4R | 130 | 360 | | | | | | |
| A051F1DHR0-5R | 5R | 150 | 450 | | | | | | |
| A051F1DHR0-6R | 6R | 170 | 600 | | | | | | |
| A051F1DHR0-9R | 9R | 200 | 900 | | | | | | |
| A051F1DHR0-12R | 12R | 230 | 1200 | | | | | | |
| A051F2DHR0-18R | 18R | 390 | 1500 | 2 | J | | | | |
| A051F2DHR0-24R | 24R | 450 | 2200 | | | | | | |

** All part numbers available without indication by substituting "DHR0" w/ "DHRN". Example: A051F1DHRN-24R

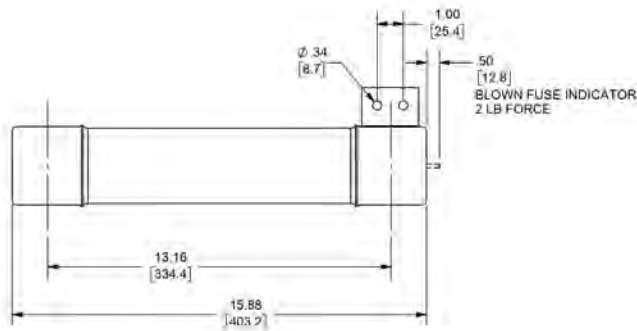


Figure I

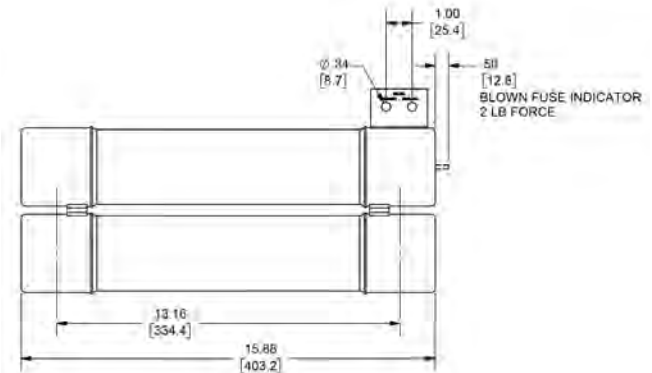


Figure J

© 2025 Mersen. All rights reserved. Mersen reserves the right to change, update, or correct, without notice, any information contained in this datasheet.

7.2kV FERRULE MOUNTED FUSES:

7.2kV R-Rated Amp-Trap Series

12.5" (317 mm) Clip Centers - Barrel diameter size D (3")



| Catalog No. | Size | Continuous Amp rating at 40°C | Minimum Interrupting Rating RMS Amp | No of Barrels | Fig. | Indicating | Dimension L Inches [mm] | 1 Phase interrupting rating | |
|----------------|------|-------------------------------|-------------------------------------|---------------|------|------------|-------------------------|---|-----------------------------------|
| | | | | | | | | UL Component Recognition Max IR RMS Sym | Max Voltage Tested Max IR RMS Sym |
| A072F1D0R0-2R | 2R | 70 | 190 | 1 | L | Yes | 15.88 [403] | 65kA at 7.2kV | 65kA at 7.7kV |
| A072F1D0R0-3R | 3R | 100 | 225 | | | | | | |
| A072F1D0R0-4R | 4R | 130 | 330 | | | | | | |
| A072F1D0R0-5R | 5R | 150 | 400 | | | | | | |
| A072F1D0R0-6R | 6R | 170 | 500 | | | | | | |
| A072F1D0R0-9R | 9R | 200 | 740 | | | | | | |
| A072F1D0R0-12R | 12R | 230 | 955 | | | | | | |
| A072F2D0R0-18R | 18R | 390 | 1440 | 2 | M | | | | |
| A072F2D0R0-24R | 24R | 450 | 1910 | | | | | | |

Indicator Flush with Surface
2 Lb. Force (Tripped)

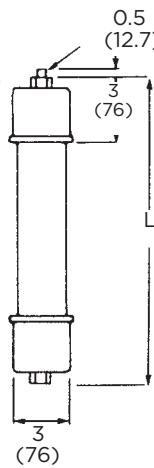


Figure L

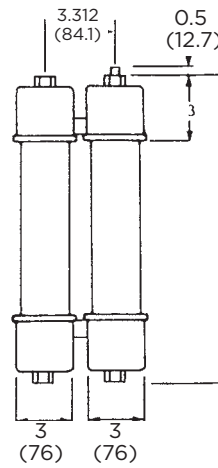


Figure M

© 2025 Mersen. All rights reserved. Mersen reserves the right to change, update, or correct, without notice, any information contained in this datasheet.

Motor Protection

Amp-Trap® Bolt-In Series

MEDIUM VOLTAGE FUSES

5.08kV, 7.2kV AND 15.5kV
BOLT-IN FUSES



Mersen R-Rated fuses are current-limiting, high interrupting rating fuses intended for the short circuit protection of medium voltage motors and motor control centers (MCC). R-Rated fuses are back-up fuses that have a minimum interrupting rating, and must be coordinated with overload relays in MCCs. These fuses are single, double, triple or quadruple barrels 3 inches diameter with end mounts designed for bolting directly to equipment bus or terminal pads. Used in and requested for replacement in MCCs from many manufacturers.

FEATURES/BENEFITS:

- UL Recognized.
- Bolt-in mounting for direct connection to bus or terminals.
- Current-limiting for superior equipment protection.
- Metal embossed catalog number and manufacturing date for lasting identification.
- Blown-fuse indicator to give positive identification of open fuse:
 - Amp-Trap, 3" Barrel: 1 lb tripped force - 0.44 inch (0.38 inch for -DHR0 part numbers)
 - Mebane Fuses (9F60LXD/MXD parts): 1.8 lbs tripped force - 1 inch

Ratings:

Amp-Trap

A051B

- **Volts:** 5.08kV AC
- **Amps:** 2 to 38R
- **IR:** 50kA Sym, 65kA Sym

A072B

- **Volts:** 7.2kV AC
- **Amps:** 2 to 24R, 19R to 57X
- **IR:** 50kA Sym, 65kA Sym

A155B

- **Volts:** 15.5kV AC
- **Amps:** 9 to 38X
- **IR:** 50kA Sym

9F60 Series Type EJ-2

- **Volts:** 5.08kV
- **Amps:** 2 to 24R
- **IR:** 50kA Sym

APPLICATIONS:

- Short circuit protection of medium voltage motors and motor controllers.
- Bolt-in equipment for secure mechanical connection in blast-proof equipment
- Many parts offered in non-indicating versions for use in Class 1, Div 2 locations

APPROVALS:

- UL Recognized
File E93367 and
File E191980



DEFINITIONS:

R-Rating: R-Rated fuses are back-up fuses that operate as follows (Per IEEE C37.42-2016): An R-Rated fuse will melt in the range of 15 to 35 seconds at a value of current equal to 100 times the “R” rating.

Back-up Current-Limiting Fuses: A back-up current-limiting fuse is a fuse that can interrupt any current between its rated minimum interrupting current and its maximum interrupting current. Back-up fuses are not designed or intended to open under overload conditions.

Continuous Ampere Rating at 40°C: The continuous amp rating defines the thermal capability of the fuse per IEEE C37.42-2016 and should not be the sole factor in fuse selection.

5.08kV BOLT-IN FUSES:

5.08kV R-Rated Amp-Trap Bolt-In Series



| Catalog No. | Size | Continuous Amp rating at 40°C | Minimum Interrupting Rating RMS Amp | No. of Barrels | Figure | Indicating | 1 Phase interrupting rating | |
|----------------|------|-------------------------------|-------------------------------------|----------------|--------|------------|--|--------------------------------------|
| | | | | | | | UL Component Recognition Max IR RMS Sym | Max Voltage Tested Max IR RMS Sym |
| A051B1DAR0-2R | 2R | 70 | 190 | 1 | A | Yes | 65kA at 5.08kV | 65kA at 5.5kV |
| A051B1DAR0-3R | 3R | 100 | 225 | | | | | |
| A051B1DAR0-4R | 4R | 130 | 330 | | | | | |
| A051B1DAR0-6R | 6R | 170 | 500 | | | | | |
| A051B1DAR0-9R | 9R | 200 | 740 | | | | | |
| A051B1DAR0-12R | 12R | 230 | 955 | | | | | |
| A051B2DAR0-18R | 18R | 390 | 1440 | 2 | B | Yes | 65kA at 5.08kV | 65kA at 5.5kV |
| A051B2DAR0-24R | 24R | 450 | 1910 | | | | | |
| A051B2DAR0-32R | 32R | 600 | 2500 | | | | | |
| A051B2DAR0-38R | 38R | 700 | 3100 | | | | | |
| A051B3DAR0-48X | 48X | 750 | 3600 | 3 | C | Yes | 50kA at 5.08kV | 50kA at 5.2kV |
| A051B3DAR0-57X | 57X | 900 | 4500 | | | | | |

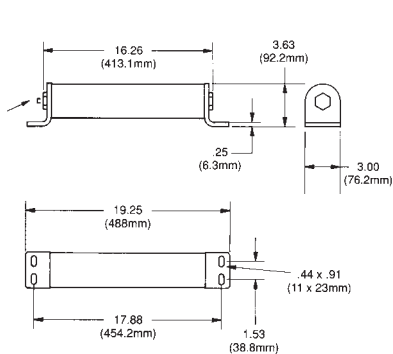


Figure A

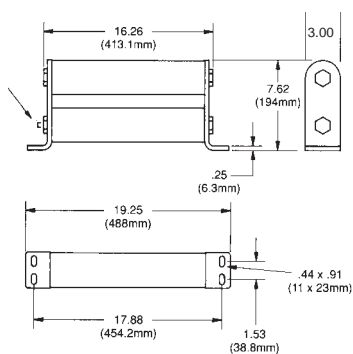


Figure B

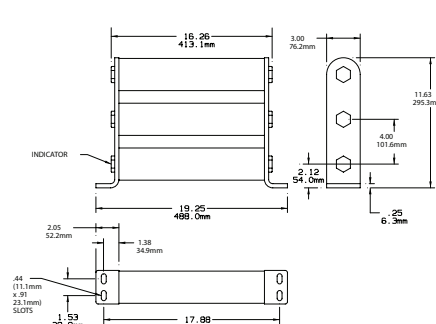


Figure C

© 2025 Mersen. All rights reserved. Mersen reserves the right to change, update, or correct, without notice, any information contained in this datasheet.

5.08kV BOLT-IN FUSES:

5.08kV R-Rated 9F60, EJ-2 Bolt-In Series, for use in Mebane Style Switchgear



| Catalog No. | Size | Continuous Amp rating at 40°C | Rated Minimum Interrupting Current | No. of Barrels | Figure | Indicating | Dimension L Inches/ (mm) | UL Component Recognition Max IR RMS Sym | Max Voltage Tested Max IR RMS Sym |
|-------------|------|-------------------------------|------------------------------------|----------------|--------|------------|--------------------------|---|-----------------------------------|
| 9F60LXD702 | 2R | 70 | 195 | 1 | D | Yes | | 50kA at 5.08kV | 50kA at 5.08kV |
| 9F60LXD703 | 3R | 100 | 270 | | | | | | |
| 9F60LXD704 | 4R | 130 | 370 | | | | | | |
| 9F60LXD706 | 6R | 170 | 580 | | | | | | |
| 9F60LXD709 | 9R | 200 | 820 | | | | | | |
| 9F60LXD712 | 12X | 230 | 1150 | 2 | E | | | | |
| 9F60MXD718 | 18R | 390 | 1800 | | | | | | |
| 9F60MXD724 | 24R | 450 | 2400 | | | | | | |

5.08kV R-Rated 9F60, EJ-2 Bolt-In Series, for use in Mebane Style Switchgear - Alternate Bolt Configuration



| Catalog No. | Size | Continuous Amp rating at 40°C | Rated Minimum Interrupting Current | No. of Barrels | Figure | Indicating | Dimension L Inches/ (mm) | UL Component Recognition Max IR RMS Sym | Max Voltage Tested Max IR RMS Sym |
|-------------|------|-------------------------------|------------------------------------|----------------|--------|------------|--------------------------|---|-----------------------------------|
| 9F60LXD402 | 2R | 70 | 195 | 1 | F | Yes | | 50kA at 5.08kV | 50kA at 5.08kV |
| 9F60LXD403 | 3R | 100 | 270 | | | | | | |
| 9F60LXD404 | 4R | 130 | 370 | | | | | | |
| 9F60LXD406 | 6R | 170 | 580 | | | | | | |
| 9F60LXD409 | 9R | 200 | 820 | | | | | | |
| 9F60LXD412 | 12X | 230 | 1150 | 2 | G | | | | |
| 9F60MXD418 | 18R | 390 | 1800 | | | | | | |
| 9F60MXD424 | 24R | 450 | 2400 | | | | | | |

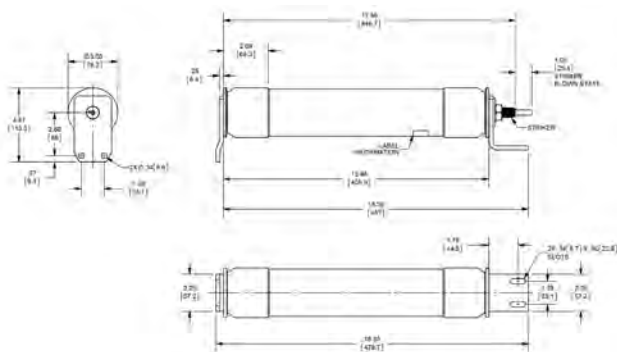


Figure D

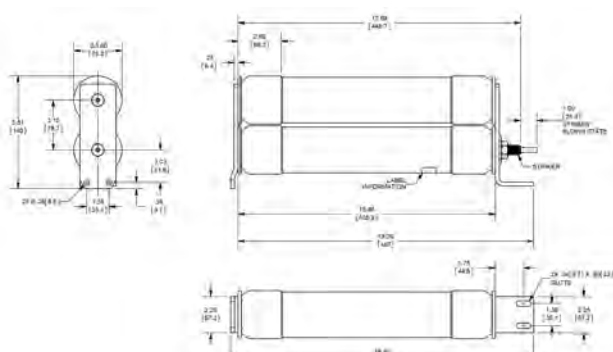


Figure E

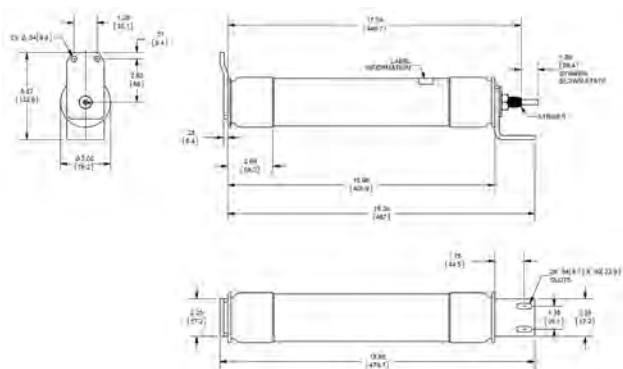


Figure F

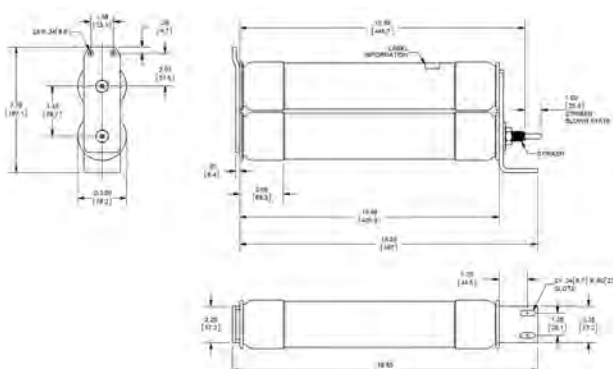


Figure G

© 2025 Mersen. All rights reserved. Mersen reserves the right to change, update, or correct, without notice, any information contained in this datasheet.

5.08kV BOLT-IN FUSES:

5.08kV R-Rated Amp-Trap Bolt-In Series, for use in Ampgard Switchgear



| Catalog No. | Size | Continuous Amp rating at 40°C | Rated Minimum Interrupting Current | No. of Barrels | Figure | Indicating | Dimension L Inches/ [mm] | UL Component Recognition Max IR RMS Sym | Max Voltage Tested Max IR RMS Sym |
|----------------|------|-------------------------------|------------------------------------|----------------|--------|------------|--------------------------|--|--------------------------------------|
| A051B1DHR0-2R | 2R | 70 | 220 | 1 | H | Yes** | 15.88 [403.2] | 50kA @ 5.08kV | 50kA @ 5.08kV |
| A051B1DHR0-3R | 3R | 100 | 270 | | | | | | |
| A051B1DHR0-4R | 4R | 130 | 360 | | | | | | |
| A051B1DHR0-5R | 5R | 150 | 450 | | | | | | |
| A051B1DHR0-6R | 6R | 170 | 600 | | | | | | |
| A051B1DHR0-9R | 9R | 200 | 900 | | | | | | |
| A051B1DHR0-12R | 12R | 230 | 1200 | 2 | I | | | | |
| A051B2DHR0-18R | 18R | 390 | 1500 | | | | | | |
| A051B2DHR0-24R | 24R | 450 | 2200 | | | | | | |

** All part numbers available without indication by substituting "DHR0" w/ "DHRN". Example: A051B1DHRN-24R

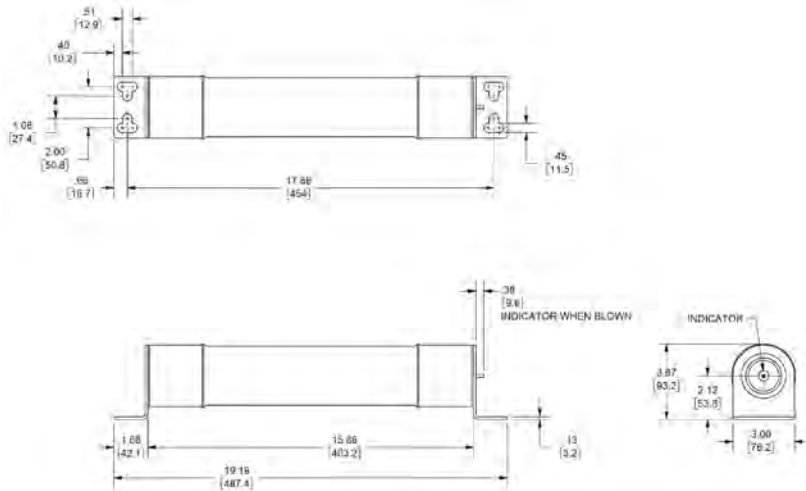


Figure H

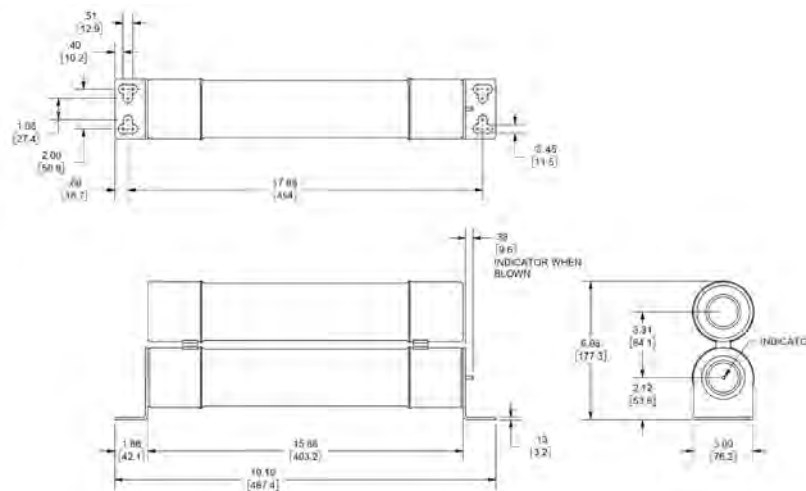


Figure I

© 2025 Mersen. All rights reserved. Mersen reserves the right to change, update, or correct, without notice, any information contained in this datasheet.



7.2kV BOLT-IN FUSES:

7.2kV R-Rated Amp-Trap Bolt-In Series

| Catalog No. | Size | Continuous Amp rating at 40°C | Minimum Interrupting Rating RMS Amp | No. of Barrels | Figure | Indicating | 1 Phase interrupting rating | |
|----------------|------|-------------------------------|-------------------------------------|----------------|--------|------------|--|--------------------------------------|
| | | | | | | | UL Component Recognition Max IR RMS Sym | Max Voltage Tested Max IR RMS Sym |
| A072B1DAR0-2R | 2R | 70 | 190 | 1 | J | Yes | 65kA at 7.2kV | 65kA at 7.7kV |
| A072B1DAR0-3R | 3R | 100 | 225 | | | | | |
| A072B1DAR0-4R | 4R | 130 | 330 | | | | | |
| A072B1DAR0-5R | 5R | 150 | 400 | | | | | |
| A072B1DAR0-6R | 6R | 170 | 500 | | | | | |
| A072B1DAR0-9R | 9R | 200 | 740 | | | | | |
| A072B1DAR0-12R | 12R | 230 | 955 | | | | | |
| A072B2DAR0-18R | 18R | 390 | 1440 | 2 | K | | | |
| A072B2DAR0-24R | 24R | 450 | 1910 | | | | | |
| A072B1DOR0-19R | 19R | 300 | 1560 | 1 | L | Yes | 65kA at 7.2kV | 65kA at 7.66kV |
| A072B2DOR0-32R | 32R | 540 | 3070 | 2 | M | | | 65kA at 7.66kV |
| A072B2DOR0-38R | 38R | 600 | 3480 | | | | | 3 |
| A072B3DBR0-48X | 48X | 750 | 4360 | 3 | N | | | |
| A072B3DBR0-57X | 57X | 900 | 5000 | | | | | |

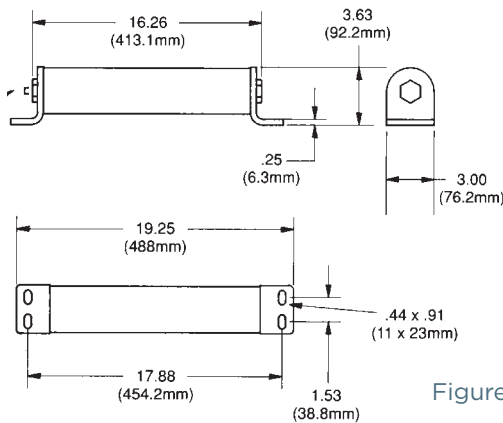


Figure J

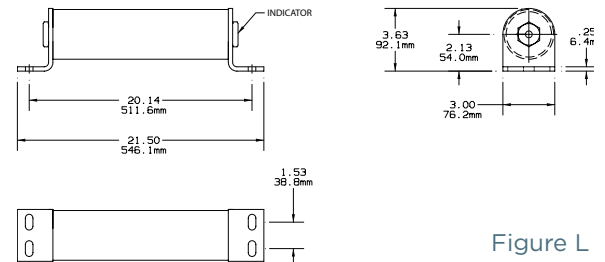


Figure L

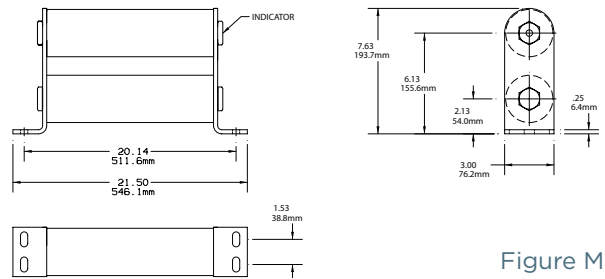


Figure M

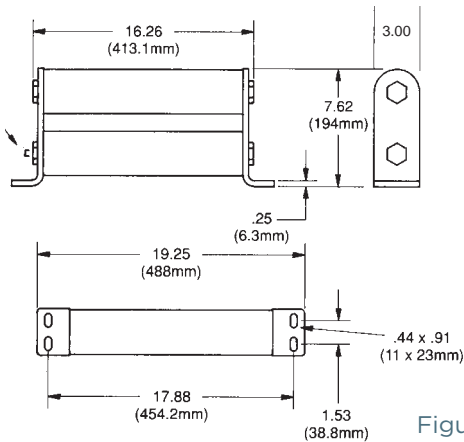


Figure K

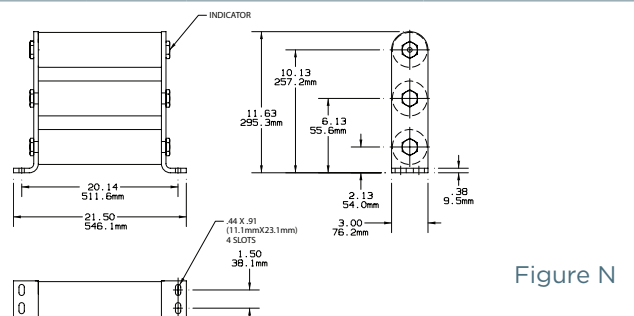


Figure N

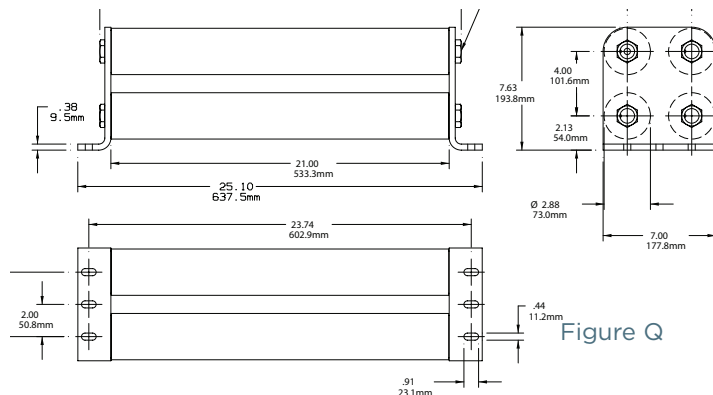
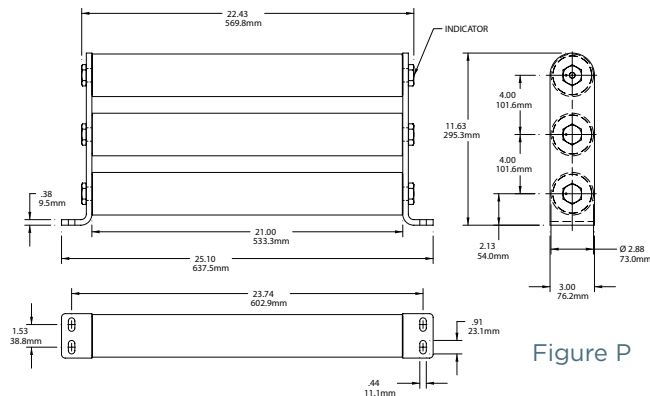
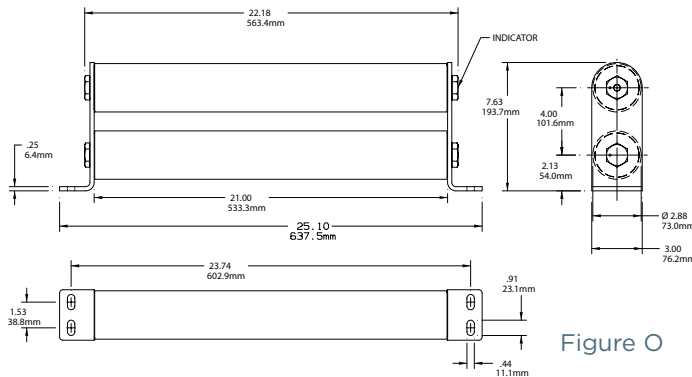
© 2025 Mersen. All rights reserved. Mersen reserves the right to change, update, or correct, without notice, any information contained in this datasheet.



15.5kV BOLT-IN FUSES:

15.5kV R-Rated Amp-Trap Bolt-In Series

| Catalog No. | Size | Continuous Amp rating at 40°C | Minimum Interrupting Rating RMS Amp | No. of Barrels | Figure | Indicating | 1 Phase interrupting rating | |
|----------------|------|-------------------------------|-------------------------------------|----------------|--------|------------|-----------------------------|--------------------|
| | | | | | | | UL Component Recognition | Max Voltage Tested |
| | | | | | | | Max IR RMS Sym | Max IR RMS Sym |
| A155B2D0R0-9R | 9R | 200 | 888 | 2 | O | Yes | 50 kA at 15.5kV | 50 kA at 15.5kV |
| A155B2D0R0-12R | 12R | 230 | 1200 | | | | | |
| A155B3D0R0-18X | 18X | 390 | 1900 | 3 | P | | | |
| A155B3D0R0-24X | 24X | 450 | 2633 | | | | | |
| A155B4D0R0-32X | 32X | 600 | 3510 | 4 | Q | | | |
| A155B4D0R0-38X | 38X | 700 | 4000 | | | | | |



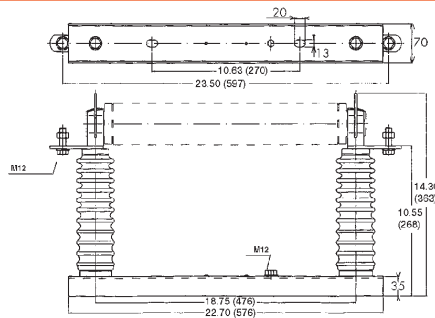
© 2025 Mersen. All rights reserved. Mersen reserves the right to change, update, or correct, without notice, any information contained in this datasheet.

Motor Protection

Amp-Trap® DIN-Style Fuses

MEDIUM VOLTAGE FUSES

R-RATED IEC DIN STYLE MV FUSES



Amp-Trap® R-Rated DIN style fuses are current-limiting, high interrupting rating fuses, intended for the short circuit protection of medium voltage motors and motor controllers. This product range offers North American R-Rated performance in the IEC 282-1 DIN mounting configuration of 442mm. R-Rated fuses are applied as back up fuses that have a minimum interrupting rating, and must be coordinated with overload relays in combination motor starters. Amp-Trap R-Rated, DIN type fuses are offered in voltage ratings of 3.3kV, 5.5kV and 7.2kV in ratings from 2R to 19R. All fuses within this product group are UL component recognized.

DEFINITIONS:

R-Rating: R-Rated fuses are back-up fuses that operate as follows (Per IEEE C37.42-2016): An R-Rated fuse will melt in the range of 15 to 35 seconds at a value of current equal to 100 times the “R” rating.

Back-up Current-Limiting Fuses: A back-up current-limiting fuse is a fuse that can interrupt any current between its rated minimum interrupting current and its maximum interrupting current. Back-up fuses are not designed or intended to open under overload conditions.

Continuous Ampere Rating at 40°C: The continuous amp rating defines the thermal capability of the fuse per IEEE C37.42-2016 and should not be the sole factor in fuse selection.

Spring-Reinforced Clip MR45 & Spring Ref.# L096472

Fuse-Holder: SI 24/442 Ref # K209424 In compliance with IEC 282-1, DIN standard 43625. * Note: Ratings above 19R may be achieved by paralleling fuses. Please consult factory for details.

RATINGS:

A033D1

- **Volts:** 3300V AC
- **Amps:** 2 to 19R*
- **IR:** 65kA Sym

A055D1

- **Volts:** 5500V AC
- **Amps:** 2 to 19R*
- **IR:** 65kA Sym

A072D1

- **Volts:** 7200V AC
- **Amps:** 2 to 19R*
- **IR:** 65kA Sym

FEATURES/BENEFITS:

- Clip mount DIN 45: R-Rated fuses with North American ANSI characteristics in a standard DIN 442mm size.
- Current-limiting for superior equipment protection
- Blown fuse indicator provides positive identification of open fuse. 4.5lb tripping force - 1.0”.

HIGHLIGHTS:

- R-Rated
- UL recognized

APPLICATIONS:

- Short circuit protection of medium voltage motors and motor controllers.

APPROVALS:



- UL recognized component File E93367



| Fig. | Catalog Number | Size | Continuous Amp Rating 55 °C** | Continuous Amp Rating 40 °C** | Minimum Interrupting Rating RMS Rating | 1 Phase Interrupting Rating Maximum Tested | |
|--|----------------|------|-------------------------------|-------------------------------|--|--|--------------|
| | | | | | | RMS Asym | RMS Sym |
| 3.3kv Max. DIN IEC Style 442 mm | | | | | | | |
| A | A033D1DSRO-2R | 2R | 63 | 70 | 190 | 100kA @ 3300V | 65kA @ 3300V |
| A | A033D1DSRO-3R | 3R | 90 | 100 | 225 | | |
| A | A033D1DSRO-4R | 4R | 115 | 130 | 225 | | |
| A | A033D1DSRO-5R | 5R | 135 | 150 | 400 | | |
| A | A033D1DSRO-6R | 6R | 150 | 170 | 540 | | |
| A | A033D1DSRO-9R | 9R | 180 | 200 | 780 | | |
| A | A033D1DSRO-12R | 12R | 210 | 230 | 955 | | |
| A | A033D1DSRO-13R | 13R* | 230 | 260 | 1050 | | |
| A | A033D1DSRO-16R | 16R* | 270 | 300 | 1200 | | |
| A | A033D1DSRO-19R | 19R* | 280 | 310 | 1280 | | |
| 5.5kV Max. DIN IEC Style 442 mm | | | | | | | |
| A | A055D1DSRO-2R | 2R | 63 | 70 | 190 | 100kA @ 5500V | 65kA @ 5500V |
| A | A055D1DSRO-3R | 3R | 90 | 100 | 225 | | |
| A | A055D1DSRO-4R | 4R | 115 | 130 | 225 | | |
| A | A055D1DSRO-5R | 5R | 135 | 150 | 400 | | |
| A | A055D1DSRO-6R | 6R | 150 | 170 | 540 | | |
| A | A055D1DSRO-9R | 9R | 180 | 200 | 780 | | |
| A | A055D1DSRO-12R | 12R | 210 | 230 | 955 | | |
| A | A055D1DSRO-13R | 13R* | 230 | 260 | 1050 | | |
| A | A055D1DSRO-16R | 16R* | 270 | 300 | 1200 | | |
| A | A055D1DSRO-19R | 19R* | 280 | 310 | 1280 | | |
| 7.2kV Max. DIN IEC Style 442 mm | | | | | | | |
| A | A072D1DSRO-2R | 2R | 63 | 70 | 190 | 100kA @ 7200V | 65kA @ 7200V |
| A | A072D1DSRO-3R | 3R | 90 | 100 | 225 | | |
| A | A072D1DSRO-4R | 4R | 115 | 130 | 400 | | |
| A | A072D1DSRO-5R | 5R | 135 | 150 | 540 | | |
| A | A072D1DSRO-6R | 6R | 150 | 170 | 550 | | |
| A | A072D1DSRO-9R | 9R | 180 | 200 | 780 | | |
| A | A072D1DSRO-12R | 12R | 210 | 230 | 955 | | |
| A | A072D1DSRO-13R | 13R* | 230 | 260 | 1050 | | |
| A | A072D1DSRO-16R | 16R* | 270 | 300 | 1200 | | |
| A | A072D1DSRO-19R | 19R* | 280 | 310 | 1280 | | |

* 13R, 16R and 19R are not standard ratings defined in IEEE C37.42.

** This rating defines the thermal capability of the fuse per IEEE C37.42 and should not be the sole factor in fuse selection.

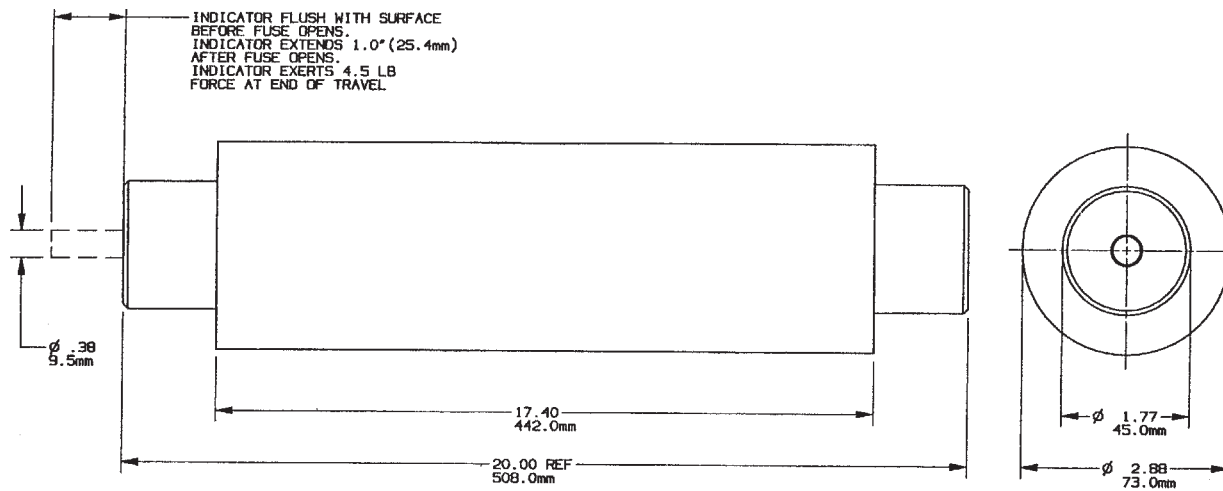


Figure A

© 2025 Mersen. All rights reserved. Mersen reserves the right to change, update, or correct, without notice, any information contained in this datasheet.

Potential Transformer

Amp-Trap® and 9F60 Series PT Fuses

MEDIUM VOLTAGE FUSES

0.625kV – 15.5kV FERRULE MOUNTED FUSES



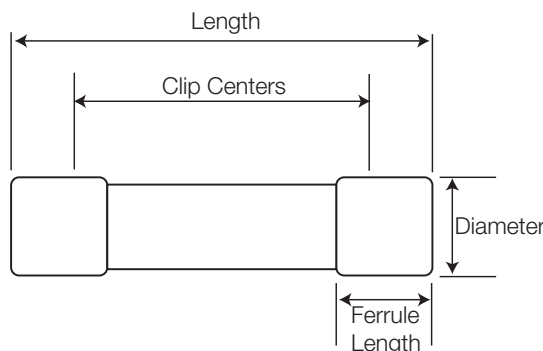
Mersen PT fuses are current-limiting fuses with high interrupting rating, used for the primary winding protection of potential transformer. They are small dimension ferrule type fuses and mount in standard clips. Current ratings are from 0.25A to 10A.

FEATURES/BENEFITS:

- Ferrule mounting for standard clips and interchangeability with other brands of fuses.
- Current-limiting for superior equipment protection.
- Non-venting for silent operation.
- Metal embossed catalog number and manufacturing date for lasting identification.
- Blown-fuse indicator to give positive identification of open fuse fuse is available on the 9F60 series.

APPLICATIONS:

- Primary protection for potential transformers (PT) or control power transformers (CPT).



RATINGS:

Amp-Trap

A240T

- **Volts:** 2.4kVAC
- **Amps:** 0.5 to 5A
- **IR:** 50kA Sym

A480T

- **Volts:** 4.8kVAC
- **Amps:** 0.5 to 5A
- **IR:** 80kA Sym

A500T

- **Volts:** 5.0kVAC
- **Amps:** 0.25 to 5A
- **IR:** 80kA Sym

A720T

- **Volts:** 7.2kVAC
- **Amps:** 0.5 to 3A
- **IR:** 50kA Sym

9F60 Series EJ-1

9F60A

- **Volts:** .625kVAC
- **Amps:** 3 to 5A
- **IR:** 100kA Sym

9F60B

- **Volts:** 2.75kVAC, 5.5kVAC, 8.25kVAC, 15.5kVAC
- **Amps:** 0.5 to 3A
- **IR:** 52kA Sym, 63kA Sym, 50kA Sym, 120kA Sym

0.625kV / 2.4kV / 2.75kV FERRULE MOUNTED FUSES:

0.625kV Potential Transformer fuses - 9F60 Series, EJ-1

4.25" (108 mm) Clip Centers

| Catalog No. | Amp Rating | Indicating | Diameter Inches (mm) | Length Inches (mm) | Ferrule Length Inches (mm) | Max Voltage | Max IR RMS Sym | Spare Parts (Clips*) | Spare Parts (Live Parts) | Fuse Support Indoor (EK-1) |
|-------------|------------|------------|----------------------|--------------------|----------------------------|-------------|----------------|----------------------|--------------------------|----------------------------|
| 9F60AAA003 | 3A | Yes | 0.812 [20.6] | 4.625 [117.5] | 1.12 [28.4] | .625 kV | 100kA | C08917P | - | - |
| 9F60AAA005 | 5A | | | | | | | | | |
| 9F60AAA007 | 7A | | | | | | | | | |
| 9F60AAA010 | 10A | | | | | | | | | |

2.4kV Potential Transformer fuses - Amp-Trap Series

4.00" (102 mm) Clip Centers

| Catalog No. | Amp Rating | Indicating | Diameter Inches (mm) | Length Inches (mm) | Ferrule Length Inches (mm) | Max Voltage | Max IR RMS Sym | Spare Parts (Clips*) | Spare Parts (Live Parts) | Fuse Support Indoor (EK-1) |
|-------------|------------|------------|----------------------|--------------------|----------------------------|-------------|----------------|----------------------|--------------------------|----------------------------|
| A240T1/2E | 0.5A | No | 0.812 [20.6] | 4.625 [117.5] | 0.625 [15.9] | 2.4kV | 50kA | C08917P | - | - |
| A240T1E | 1A | | | | | | | | | |
| A240T2E | 2A | | | | | | | | | |
| A240T5E | 5A | | | | | | | | | |

2.75kV Potential Transformer fuses - 9F60 Series, EJ-1

4.25" (108 mm) Clip Centers

| Catalog No. | Amp Rating | Indicating | Diameter Inches (mm) | Length Inches (mm) | Ferrule Length Inches (mm) | Max Voltage | Max IR RMS Sym | Spare Parts (Clips*) | Spare Parts (Live Parts) | Fuse Support Indoor (EK-1) |
|-------------|------------|------------|----------------------|--------------------|----------------------------|-------------|----------------|----------------------|--------------------------|----------------------------|
| 9F60AAB001 | 1A | Yes | 0.812 [20.6] | 4.625 [117.5] | 1.12 [28.4] | 2.75kV | 52kA | C08917P | - | - |
| 9F60AAB002 | 2A | | | | | | | | | |

2.75kV Potential Transformer fuses - 9F60 Series, EJ-1

6" (152 mm) Clip Centers

| Catalog No. | Amp Rating | Indicating | Diameter Inches (mm) | Length Inches (mm) | Ferrule Length Inches (mm) | Max Voltage | Max IR RMS Sym | Spare Parts (Clips*) | Spare Parts (Live Parts) | Fuse Support Indoor (EK-1) |
|-------------|------------|------------|----------------------|--------------------|----------------------------|-------------|----------------|----------------------|--------------------------|----------------------------|
| 9F60BBB001 | 1A | Yes | 1.562 [40] | 7.375 [187] | 1.31 [33.3] | 2.75kV | 52kA | 9F61BWW460 | 9F61BNW450 | - |
| 9F60BBB002 | 2A | | | | | | | | | |
| 9F60BBB003 | 3A | | | | | | | | | |

2.75kV Potential Transformer fuses - 9F60 Series, EJ-1

8.12" (206 mm) Clip Centers

| Catalog No. | Amp Rating | Indicating | Diameter Inches (mm) | Length Inches (mm) | Ferrule Length Inches (mm) | Max Voltage | Max IR RMS Sym | Spare Parts (Clips*) | Spare Parts (Live Parts) | Fuse Support Indoor (EK-1) |
|-------------|------------|------------|----------------------|--------------------|----------------------------|-------------|----------------|----------------------|--------------------------|----------------------------|
| 9F60BDB001 | 1A | Yes | 1.562 [40] | 9.5 [241] | 1.31 [33.3] | 2.75 kV | 52kA | 9F61BWW460 | 9F61BNW450 | 9F61ABB101 |
| 9F60BDB002 | 2A | | | | | | | | | |
| 9F60BDB003 | 3A | | | | | | | | | |

*Use two clips per fuse

© 2025 Mersen. All rights reserved. Mersen reserves the right to change, update, or correct, without notice, any information contained in this datasheet.

4.8kV / 5kV / 5.5kV FERRULE MOUNTED FUSES:

4.8kV Potential Transformer fuses - Amp-Trap Series

5" (127 mm) Clip Centers

| Catalog No. | Amp Rating | Indicating | Diameter Inches (mm) | Length Inches (mm) | Ferrule Length Inches (mm) | Max Voltage | Max IR RMS Sym | Spare Parts (Clips*) | Spare Parts (Live Parts) | Fuse Support Indoor (EK-1) |
|-------------|------------|------------|----------------------|--------------------|----------------------------|-------------|----------------|----------------------|--------------------------|----------------------------|
| A480T1/2E | 0.5A | No | 0.812 (20.6) | 5.625 (143) | 0.625 (15.9) | 5.5kV | 80kA | C08917P | - | - |
| A480T3/4E | 0.75A | | | | | | | | | |
| A480T1E | 1A | | | | | | | | | |
| A480T2E | 2A | | | | | | | | | |
| A480T3E | 3A | | | | | | | | | |
| A480T4E | 4A | | | | | | | | | |
| A480T5E | 5A | | | | | | | | | |

5kV Potential Transformer fuses - Amp-Trap Series

5" (127 mm) Clip Centers

| Catalog No. | Amp Rating | Indicating | Diameter Inches (mm) | Length Inches (mm) | Ferrule Length Inches (mm) | Max Voltage | Max IR RMS Sym | Spare Parts (Clips*) | Spare Parts (Live Parts) | Fuse Support Indoor (EK-1) |
|-------------|------------|------------|----------------------|--------------------|----------------------------|-------------|----------------|----------------------|--------------------------|----------------------------|
| A500T1/4E-1 | 0.25A | No | 1.00 (25.4) | 5.625 (143) | 0.563 (14.3) | 5.5kV | 80kA | - | - | - |
| A500T1/2E-1 | 0.5A | | | | | | | | | |
| A500T1E-1 | 1A | | | | | | | | | |
| A500T2E-1 | 2A | | | | | | | | | |
| A500T3E-1 | 3A | | | | | | | | | |
| A500T4E-1 | 4A | | | | | | | | | |
| A500T5E-1 | 5A | | | | | | | | | |

5.5kV Potential Transformer fuses - 9F60 Series, EJ-1

6.00" (152 mm) Clip Centers

| Catalog No. | Amp Rating | Indicating | Diameter Inches (mm) | Length Inches (mm) | Ferrule Length Inches (mm) | Max Voltage | Max IR RMS Sym | Spare Parts (Clips*) | Spare Parts (Live Parts) | Fuse Support Indoor (EK-1) |
|-------------|------------|------------|----------------------|--------------------|----------------------------|-------------|----------------|----------------------|--------------------------|----------------------------|
| 9F60BDD905 | 0.5A | Yes | 1.562 (40) | 7.375 (187) | 1.31 (33.3) | 5.5 kV | 80kA | 9F61BWW460 | 9F61BNW450 | - |
| 9F60BDD001 | 1A | | | | | | | | | |
| 9F60BDD002 | 2A | | | | | | | | | |
| 9F60BDD003 | 3A | | | | | | | | | |
| 9F60BBN905 | 0.5A | No | 1.562 (40) | 7.375 (187) | 1.31 (33.3) | 5.5 kV | 80kA | 9F61BWW460 | 9F61BNW450 | - |
| 9F60BBN001 | 1A | | | | | | | | | |
| 9F60BBN002 | 2A | | | | | | | | | |
| 9F60BBN003 | 3A | | | | | | | | | |

5.5kV Potential Transformer fuses - 9F60 Series, EJ-1

8.12" (206 mm) Clip Centers

| Catalog No. | Amp Rating | Indicating | Diameter Inches (mm) | Length Inches (mm) | Ferrule Length Inches (mm) | Max Voltage | Max IR RMS Sym | Spare Parts (Clips*) | Spare Parts (Live Parts) | Fuse Support Indoor (EK-1) |
|-------------|------------|------------|----------------------|--------------------|----------------------------|-------------|----------------|----------------------|--------------------------|----------------------------|
| 9F60BDD905 | 0.5A | Yes | 1.562 (40) | 9.5 (241) | 1.31 (33.3) | 5.5 kV | 63kA | 9F61BWW460 | 9F61BNW450 | 9F61ABB101 |
| 9F60BDD001 | 1A | | | | | | | | | |
| 9F60BDD002 | 2A | | | | | | | | | |
| 9F60BDD003 | 3A | | | | | | | | | |

*Use two clips per fuse

© 2025 Mersen. All rights reserved. Mersen reserves the right to change, update, or correct, without notice, any information contained in this datasheet.

7.2kV / 8.25kV / 15.5kV FERRULE MOUNTED FUSES:

7.2kV Potential Transformer fuses – Amp-Trap Series

8.88" (227 mm) Clip Centers

| Catalog No. | Amp Rating | Indicating | Diameter Inches (mm) | Length Inches (mm) | Ferrule Length Inches (mm) | Max Voltage | Max IR RMS Sym | Spare Parts (Clips*) | Spare Parts (Live Parts) | Fuse Support Indoor (EK-1) |
|-------------|------------|------------|----------------------|--------------------|----------------------------|-------------|----------------|----------------------|--------------------------|----------------------------|
| A720T1/2E-1 | 0.5A | No | 0.812 (20.6) | 9.5 (241) | 0.625 (15.9) | 7.2kV | 50kA | C08917P | - | - |
| A720T3/4-1 | 0.75A | | | | | | | | | |
| A720T1E-1 | 1A | | | | | | | | | |
| A720T2E-1 | 2A | | | | | | | | | |
| A720T3E-1 | 3A | | | | | | | | | |

8.25kV Potential Transformer fuses – 9F60 Series, EJ-1

8.12" (206 mm) Clip Centers

| Catalog No. | Amp Rating | Indicating | Diameter Inches (mm) | Length Inches (mm) | Ferrule Length Inches (mm) | Max Voltage | Max IR RMS Sym | Spare Parts (Clips*) | Spare Parts (Live Parts) | Fuse Support Indoor (EK-1) |
|-------------|------------|------------|----------------------|--------------------|----------------------------|-------------|----------------|----------------------|--------------------------|----------------------------|
| 9F60BDE905 | 0.5A | Yes | 1.562 (40) | 9.5 (241) | 1.31 (33.3) | 8.25 kV | 80kA | 9F61BWW460 | 9F61BNW450 | 9F61ABG101 |
| 9F60BDE001 | 1A | | | | | | | | | |
| 9F60BDE002 | 2A | | | | | | | | | |
| 9F60BDE003 | 3A | | | | | | | | | |

15.5kV Potential Transformer fuses – 9F60 Series, EJ-1

11.5" (292 mm) Clip Centers

| Catalog No. | Amp Rating | Indicating | Diameter Inches (mm) | Length Inches (mm) | Ferrule Length Inches (mm) | Max Voltage | Max IR RMS Sym | Spare Parts (Clips*) | Spare Parts (Live Parts) | Fuse Support Indoor (EK-1) |
|-------------|------------|------------|----------------------|--------------------|----------------------------|-------------|----------------|----------------------|--------------------------|--|
| 9F60BHH905 | 0.5A | Yes | 1.562 (40) | 12.875 (327) | 1.31 (33.3) | 15.5 kV | 120kA | 9F61BWW460 | 9F61BNW450 | 9F61ADG101 (13.8kV nominal - 95 kV BIL) 9F61ADJ101 (14.4kV nominal - 110kV BIL) |
| 9F60BHH001 | 1A | | | | | | | | | |
| 9F60BHH002 | 2A | | | | | | | | | |
| 9F60BHH003 | 3A | | | | | | | | | |

*Use two clips per fuse

© 2025 Mersen. All rights reserved. Mersen reserves the right to change, update, or correct, without notice, any information contained in this datasheet.

Capacitor Protection

Amp-Trap® and 9F60 Series

MEDIUM VOLTAGE FUSES

MEDIUM VOLTAGE CAPACITOR FUSES



Mersen capacitor fuses are designed to IEEE C37-41. They are current-limiting operating without noise or discharge and are designed to be used indoors in a general purpose enclosure or outdoors in a weatherproof enclosure. These are non-disconnecting fuses requiring the use of a disconnect switch. These capacitor fuses provide both short circuit and overload protection and are intended to protect against capacitor case rupture or dielectric failure within the capacitor.

The various mounting configurations offer manufacturers a wide range of cost/space saving solutions and a large choice of equivalent products.

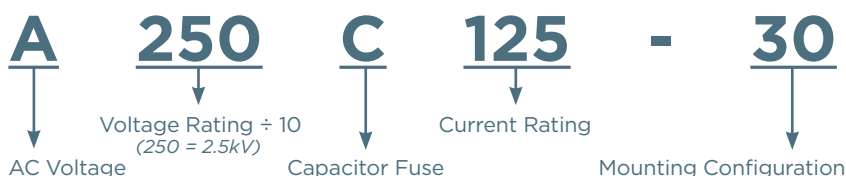
FEATURES/BENEFITS:

- High interrupting capacity
- Current limitation
- Blown-fuse indication
- Direct mount
- Clip style mount
- Bus mount
- Non-venting for silent operation

APPLICATIONS:

- Capacitor Protection
- Power Factor Correction Equipment
- Harmonic Filtering Equipment
- Induction Heating System
- High Power Drive
- Welders

CATALOG NUMBERING SYSTEM:



Ratings:

A100C

- **Volts:** 1000V AC Max.
- **Amps:** 25 to 125 A
- **IR:** 50 kA Sym

A150C

- **Volts:** 1500V AC Max.
- **Amps:** 25 to 200 A
- **IR:** 40 kA Sym

A250C

- **Volts:** 2500V AC Max.
- **Amps:** 25 to 200 A
- **IR:** 50 kA Sym

A300C

- **Volts:** 3000V AC Max.
- **Amps:** 50 to 175 A
- **IR:** 50 kA Sym

A430C

- **Volts:** 4300V AC Max.
- **Amps:** 6 to 100 A
- **IR:** 65 kA Sym

A550C

- **Volts:** 5500V AC Max.
- **Amps:** 6 to 75 A
- **IR:** 65 kA Sym

9F60RJD

- **Volts:** 5500V AC Max.
- **Amps:** 25 to 80 A
- **IR:** 50 kA Sym

9F60RJF

- **Volts:** 9520V AC Max.
- **Amps:** 15 to 40A
- **IR:** 50 kA Sym

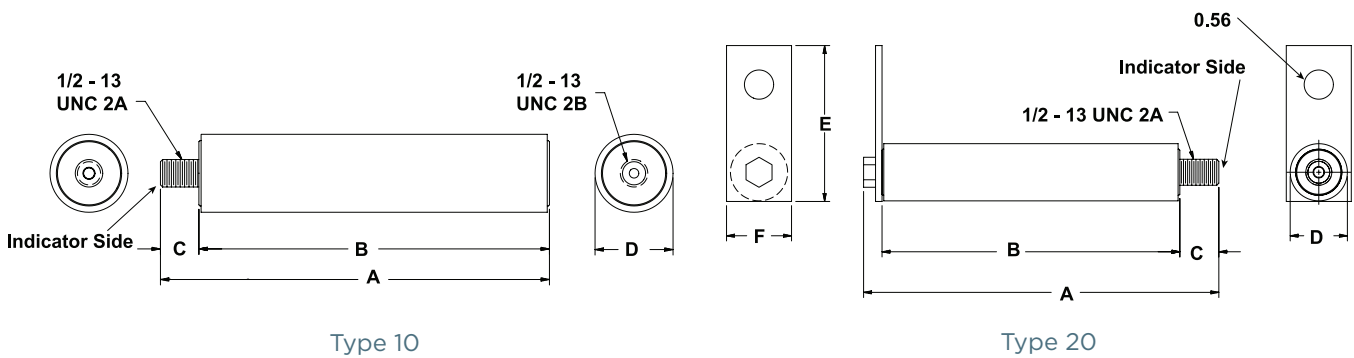
Capacitor Protection

Amp-Trap® and 9F60 Series

MEDIUM VOLTAGE
FUSES

1.0kV - 1.5kV CAPACITOR FUSES AMP-TRAP SERIES

| Catalog Number | Ampere Rating | Melting I ² t (kA ² s) | Maximum 1 Clearing I ² t (kA ² s) | Maximum 1 Phase Interrupting Rating | Overall Length Inches (mm) | Tube Length Inches (mm) | Ind. Housing Inches (mm) | Body Dia Inches (mm) | Bracket Dimensions Inches (mm) | |
|--|---------------|--|---|-------------------------------------|----------------------------|-------------------------|--------------------------|----------------------|--------------------------------|-------------|
| 1.5 kV Max Type 10 inner thread to screw | | | | | A | B | C | D | E | F |
| A150C25-10 | 25 | 4 | 12 | 40 kA @1500V RMS Sym | 7.08 (179.8) | 6.38 (162.1) | .70 (17.8) | 1.42 (36.0) | | |
| A150C50-10 | 50 | 16 | 50 | | | | | | | |
| A150C60-10 | 60 | 25 | 70 | | | | | | | |
| A150C75-10 | 75 | 35 | 110 | | | | | | | |
| A150C90-10 | 90 | 50 | 150 | | | | | | | |
| A150C100-10 | 100 | 65 | 200 | | | | | | | |
| A150C110-10 | 110 | 80 | 250 | | | | | | | |
| A150C120-10 | 120 | 100 | 310 | | | | | | | |
| A150C125-10 | 125 | 125 | 330 | | | | | | | |
| A150C130-10 | 130 | 125 | 330 | | | | | | | |
| A150C135-10 | 135 | 130 | 350 | | | | | | | |
| A150C140-10 | 140 | 130 | 350 | | | | | | | |
| A150C150-10 | 150 | 150 | 390 | | | | | | | |
| A150C160-10 | 160 | 185 | 480 | | | | | | | |
| A150C165-10 | 165 | 185 | 480 | | | | | | | |
| A150C175-10 | 175 | 225 | 600 | | | | | | | |
| A150C200-10 | 200 | 300 | 800 | | | | | | | |
| 1.5 kV Max Type 20 screw to bolt (flat bracket) | | | | | A | B | C | D | E | F |
| A150C25-20 | 25 | 3.2 | 6.5 | 40 kA @1500V RMS Sym | 6.84 (173.6) | 5.73 (145.5) | 1.42 (36.0) | 1.10 (27.9) | 3.00 (76.2) | 1.25 (31.8) |
| A150C50-20 | 50 | 13 | 27 | | | | | | | |
| A150C60-20 | 60 | 18 | 38 | | | | | | | |
| A150C75-20 | 75 | 30 | 60 | | | | | | | |
| A150C90-20 | 90 | 35 | 72 | | | | | | | |
| A150C100-20 | 100 | 52 | 105 | | | | | | | |
| A150C110-20 | 110 | 58 | 120 | | | | | | | |
| A150C120-20 | 120 | 73 | 150 | | | | | | | |
| A150C125-20 | 125 | 82 | 165 | | | | | | | |
| A150C130-20 | 130 | 90 | 190 | | | | | | | |
| A150C135-20 | 135 | 90 | 190 | | | | | | | |
| A150C140-20 | 140 | 105 | 220 | | | | | | | |
| A150C150-20 | 150 | 120 | 240 | | | | | | | |



© 2025 Mersen. All rights reserved. Mersen reserves the right to change, update, or correct, without notice, any information contained in this datasheet.

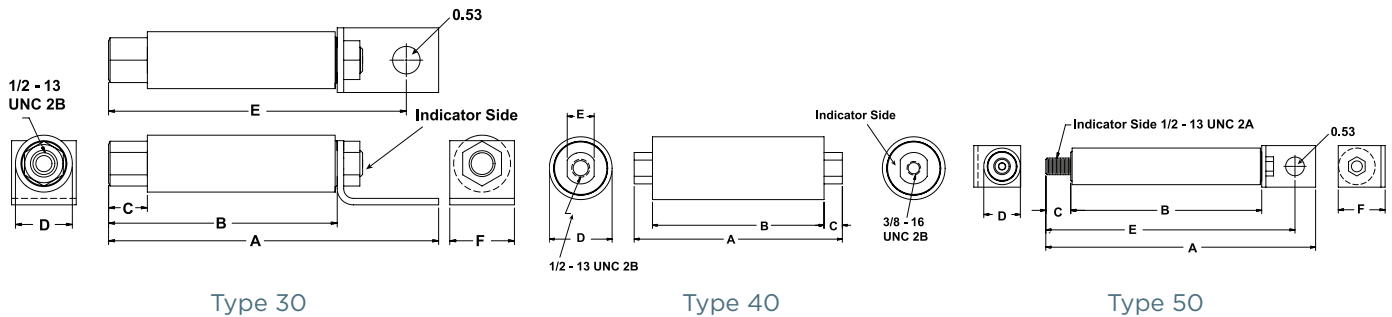
Capacitor Protection

Amp-Trap® and 9F60 Series

MEDIUM VOLTAGE
FUSES

1.0kV - 1.5kV CAPACITOR FUSES AMP-TRAP SERIES

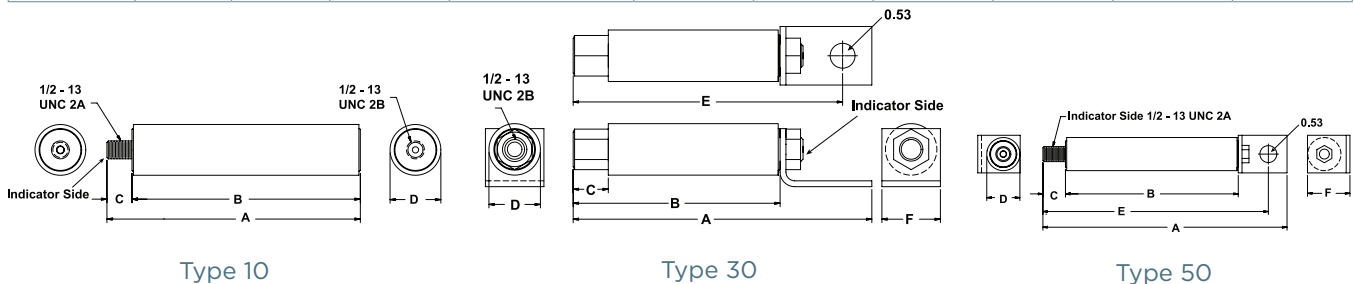
| Catalog Number | Ampere Rating | Melting I ² t (kA ² s) | Maximum 1 Clearing I ² t (kA ² s) | Maximum 1 Phase Interrupting Rating | Overall Length Inches (mm) | Tube Length Inches (mm) | Ind. Housing Inches (mm) | Body Dia Inches (mm) | Bracket Dimensions Inches (mm) | |
|---|---------------|--|---|-------------------------------------|----------------------------|-------------------------|--------------------------|----------------------|--------------------------------|-------------|
| 1.0 kV Max Type 30 external female to bolt (L bracket) | | | | | A | B | C | D | E | F |
| A100C25-30 | 25 | 4 | 10 | 50 kA @1000V RMS Sym | 6.38 (162.1) | 4.42 (112.3) | .75 (19.1) | 1.10 (27.9) | 5.76 (146.2) | 1.25 (31.8) |
| A100C50-30 | 50 | 16 | 40 | | | | | | | |
| A100C60-30 | 60 | 25 | 60 | | | | | | | |
| A100C75-30 | 75 | 35 | 95 | | | | | | | |
| A100C90-30 | 90 | 50 | 130 | | | | | | | |
| A100C100-30 | 100 | 65 | 165 | | | | | | | |
| A100C110-30 | 110 | 80 | 205 | | | | | | | |
| A100C125-30 | 125 | 100 | 250 | | | | | | | |
| 1.5 kV Max Type 40 external female to external female | | | | | A | B | C | D | E | F |
| A150C100-40 | 100 | 125 | 140 | 40 kA @1500V RMS Sym | 6.84 (173.6) | 4.78 (121.4) | .51 (13.0) | 1.75 (27.9) | .75 (19.1) | 1.41 (35.8) |
| A150C110-40 | 110 | 125 | 180 | | | | | | | |
| A150C125-40 | 125 | 130 | 230 | | | | | | | |
| A150C130-40 | 130 | 130 | 230 | | | | | | | |
| A150C140-40 | 140 | 150 | 285 | | | | | | | |
| A150C150-40 | 150 | 185 | 315 | | | | | | | |
| A150C160-40 | 160 | 185 | 360 | | | | | | | |
| A150C175-40 | 175 | 225 | 410 | | | | | | | |
| A150C200-40 | 200 | 300 | 560 | | | | | | | |
| 1.5 kV Max Type 50 screw to bolt (L bracket) | | | | | A | B | C | D | E | F |
| A150C50-50 | 50 | 13 | 27 | 40 kA @1500V RMS Sym | 8.11 (206.0) | 5.74 (145.8) | .75 (19.1) | 1.10 (27.9) | 7.49 (190.2) | 1.25 (31.8) |
| A150C60-50 | 60 | 18 | 38 | | | | | | | |
| A150C75-50 | 75 | 30 | 60 | | | | | | | |
| A150C90-50 | 90 | 35 | 72 | | | | | | | |
| A150C100-50 | 100 | 52 | 105 | | | | | | | |
| A150C110-50 | 110 | 58 | 120 | | | | | | | |
| A150C120-50 | 120 | 73 | 150 | | | | | | | |
| A150C125-50 | 125 | 82 | 165 | | | | | | | |
| A150C130-50 | 130 | 90 | 190 | | | | | | | |
| A150C135-50 | 135 | 90 | 190 | | | | | | | |
| A150C140-50 | 140 | 105 | 220 | | | | | | | |
| A150C150-50 | 150 | 120 | 240 | | | | | | | |



© 2025 Mersen. All rights reserved. Mersen reserves the right to change, update, or correct, without notice, any information contained in this datasheet.

2.5kV CAPACITOR FUSES AMP-TRAP SERIES

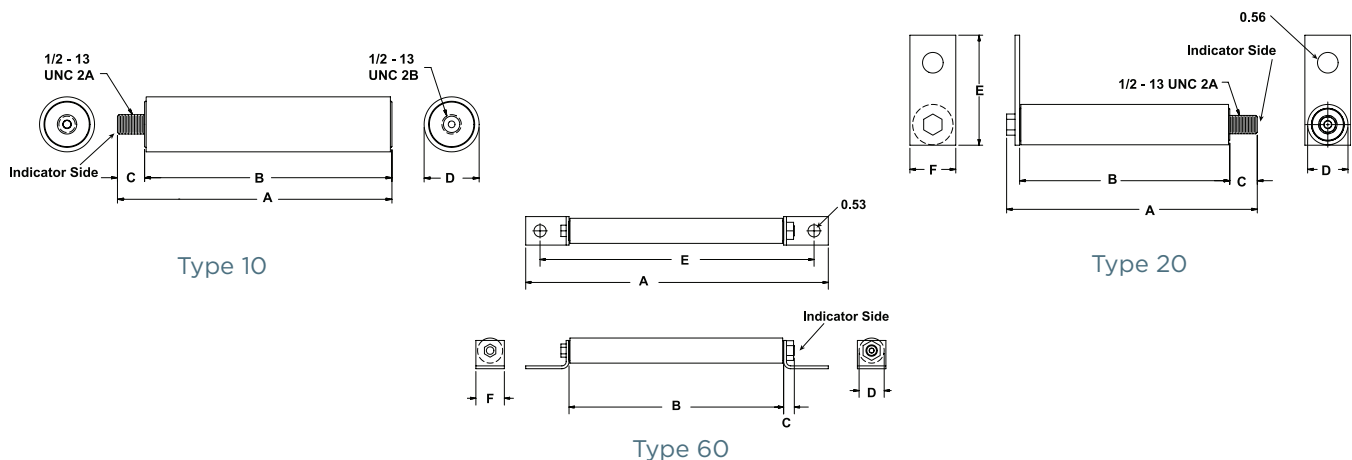
| Catalog Number | Ampere Rating | Melting I ² t (kA ² s) | Maximum 1 Clearing I ² t (kA ² s) | Maximum 1 Phase Interrupting Rating | Overall Length Inches (mm) | Tube Length Inches (mm) | Ind. Housing Inches (mm) | Body Dia Inches (mm) | Bracket Dimensions Inches (mm) | |
|---|---------------|--|---|-------------------------------------|----------------------------|-------------------------|--------------------------|----------------------|--------------------------------|-------------|
| 2.5 kV Max Type 10 inner thread to screw | | | | | A | B | C | D | E | F |
| A250C25-10 | 25 | 3 | 9 | 50 kA @2500V RMS Sym | 7.67 (194.8) | 6.92 (175.8) | .75 (19.1) | 1.42 (36.0) | | |
| A250C50-10 | 50 | 12 | 35 | | | | | | | |
| A250C65-10 | 65 | 18 | 60 | | | | | | | |
| A250C75-10 | 75 | 25 | 85 | | | | | | | |
| A250C80-10 | 80 | 25 | 85 | | | | | | | |
| A250C100-10 | 100 | 45 | 150 | | | | | | | |
| A250C110-10 | 110 | 60 | 190 | | | | | | | |
| A250C125-10 | 125 | 75 | 240 | | | | | | | |
| A250C135-10 | 135 | 115 | 395 | | | | | | | |
| A250C150-10 | 150 | 130 | 460 | | | | | | | |
| A200C165-10 | 165 | 150 | 350 | 40 kA @2000V RMS Sym | 7.67 (194.8) | 6.92 (175.8) | .75 (19.1) | 1.42 (36.0) | | |
| A200C175-10 | 175 | 165 | 440 | | | | | | | |
| A200C200-10 | 200 | 225 | 500 | | | | | | | |
| 2.5 kV Max Type 30 external female to bolt (L bracket) | | | | | A | B | C | D | E | F |
| A250C25-30 | 25 | 3 | 9 | 50 kA @2500V RMS Sym | 9.41 (239.0) | 6.66 (169.2) | .75 (19.1) | 1.10 (27.9) | 8.79 (223.2) | 1.25 (31.8) |
| A250C50-30 | 50 | 12 | 35 | | | | | | | |
| A250C65-30 | 65 | 18 | 60 | | | | | | | |
| A250C75-30 | 75 | 25 | 85 | | | | | | | |
| A250C80-30 | 80 | 25 | 85 | | | | | | | |
| A250C100-30 | 100 | 45 | 150 | | | | | | | |
| A250C110-30 | 110 | 60 | 190 | | | | | | | |
| A250C125-30 | 125 | 75 | 240 | | | | | | | |
| 2.5 kV Max Type 50 screw to bolt (L bracket) | | | | | A | B | C | D | E | F |
| A250C25-50 | 25 | 3 | 9 | 50 kA @2500V RMS Sym | 9.11 (231.4) | 6.74 (171.2) | .75 (19.1) | 1.10 (27.9) | 8.49 (215.6) | 1.25 (31.8) |
| A250C50-50 | 50 | 12 | 35 | | | | | | | |
| A250C65-50 | 65 | 18 | 60 | | | | | | | |
| A250C75-50 | 75 | 25 | 85 | | | | | | | |
| A250C80-50 | 80 | 25 | 85 | | | | | | | |
| A250C100-50 | 100 | 45 | 150 | | | | | | | |
| A250C110-50 | 110 | 60 | 190 | | | | | | | |
| A250C125-50 | 125 | 75 | 240 | | | | | | | |
| A250C135-50 | 135 | 115 | 395 | | | | | | | |
| A250C150-50 | 150 | 130 | 460 | | | | | | | |
| A200C165-50 | 165 | 150 | 350 | 40 kA @2000V RMS Sym | 9.29 (236.0) | 6.92 (175.8) | .75 (19.1) | 1.42 (36.0) | 8.67 (220.2) | 1.25 (31.8) |
| A200C175-50 | 175 | 165 | 440 | | | | | | | |
| A200C200-50 | 200 | 225 | 500 | | | | | | | |



© 2025 Mersen. All rights reserved. Mersen reserves the right to change, update, or correct, without notice, any information contained in this datasheet.

3.0kV CAPACITOR FUSES AMP-TRAP SERIES

| Catalog Number | Ampere Rating | Melting I ² t (kA ² s) | Maximum 1 Clearing I ² t (kA ² s) | Maximum 1 Phase Interrupting Rating | Overall Length Inches (mm) | Tube Length Inches (mm) | Ind. Housing Inches (mm) | Body Dia Inches (mm) | Bracket Dimensions Inches (mm) | |
|--|---------------|--|---|-------------------------------------|----------------------------|-------------------------|--------------------------|----------------------|--------------------------------|-------------|
| 3.0 kV Max Type 10 inner thread to screw | | | | | A | B | C | D | E | F |
| A300C50-10 | 50 | 12 | 35 | 50 kA @3000V RMS Sym | 10.16 (258.1) | 9.33 (237.0) | .75 (19.1) | 1.10 (27.9) | | |
| A300C60-10 | 60 | 18 | 65 | | | | | | | |
| A300C75-10 | 75 | 26 | 80 | | | | | | | |
| A300C95-10 | 95 | 45 | 140 | | | | | | | |
| A300C100-10 | 100 | 45 | 140 | | | | | | | |
| A300C115-10 | 115 | 60 | 200 | | | | | | | |
| A300C125-10 | 125 | 75 | 260 | | | | | | | |
| A300C130-10 | 130 | 75 | 260 | | | | | | | |
| A300C150-10 | 150 | 105 | 350 | | | | | | | |
| A300C175-10 | 175 | 165 | 530 | | | | | | | |
| 3.0 kV Max Type 20 screw to bolt (flat bracket) | | | | | A | B | C | D | E | F |
| A300C50-20 | 50 | 12 | 35 | 50 kA @3000V RMS Sym | 10.59 (269.1) | 9.33 (237.0) | .75 (19.1) | 1.10 (27.9) | 3.00 (76.2) | 1.25 (31.8) |
| A300C60-20 | 60 | 18 | 65 | | | | | | | |
| A300C75-20 | 75 | 26 | 80 | | | | | | | |
| A300C95-20 | 95 | 45 | 140 | | | | | | | |
| A300C100-20 | 100 | 45 | 140 | | | | | | | |
| A300C115-20 | 115 | 60 | 200 | | | | | | | |
| A300C125-20 | 125 | 75 | 260 | | | | | | | |
| A300C130-20 | 130 | 75 | 260 | | | | | | | |
| A300C150-20 | 150 | 105 | 350 | | | | | | | |
| A300C175-20 | 175 | 165 | 530 | | | | | | | |
| 3.0 kV Max Type 60 bolt (L bracket) to bolt (L bracket) | | | | | A | B | C | D | E | F |
| A300C50-60 | 50 | 12 | 35 | 50 kA @3000V RMS Sym | | | | | | |
| A300C60-60 | 60 | 18 | 65 | | | | | | | |
| A300C75-60 | 75 | 26 | 80 | | | | | | | |
| A300C95-60 | 95 | 45 | 140 | | | | | | | |
| A300C100-60 | 100 | 45 | 140 | | | | | | | |
| A300C115-60 | 115 | 60 | 200 | | | | | | | |
| A300C125-60 | 125 | 75 | 260 | | | | | | | |
| A300C130-60 | 130 | 75 | 260 | | | | | | | |
| A300C150-60 | 150 | 105 | 350 | | | | | | | |
| A300C175-60 | 175 | 165 | 530 | | | | | | | |



© 2025 Mersen. All rights reserved. Mersen reserves the right to change, update, or correct, without notice, any information contained in this datasheet.

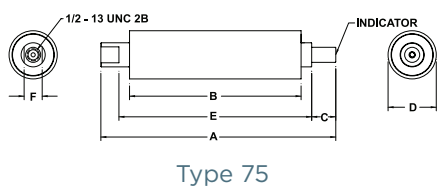
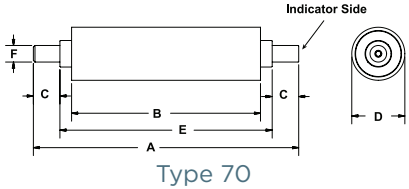
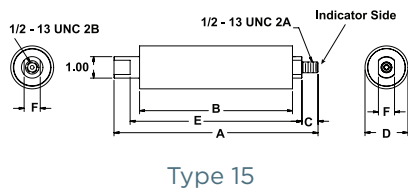
Capacitor Protection

Amp-Trap® and 9F60 Series

MEDIUM VOLTAGE
FUSES

4.3kV CAPACITOR FUSES AMP-TRAP SERIES

| Catalog Number | Ampere Rating | Melting I ² t (kA ² s) | Maximum 1 Clearing I ² t (kA ² s) | Maximum 1 Phase Interrupting Rating | Overall Length Inches (mm) | Tube Length Inches (mm) | Ind. Housing Inches (mm) | Body Dia Inches (mm) | Bracket Dimensions Inches (mm) | |
|--|---------------|--|---|-------------------------------------|----------------------------|-------------------------|--------------------------|----------------------|--------------------------------|-------------|
| 4.3 kV Max Type 15 external female to bolt | | | | | A | B | C | D | E | F |
| A430C6-15 | 6 | 0.4 | 2.49 | 65 kA @4300V RMS Sym | 9.50 (241.3) | 7.12 (180.8) | .75 (19.1) | 2.00 (50.8) | 8.00 (203.2) | .75 (19.1) |
| A430C8-15 | 8 | 0.73 | 4.31 | | | | | | | |
| A430C10-15 | 10 | 1.14 | 6.38 | | | | | | | |
| A430C12-15 | 12 | 1.6 | 8.64 | | | | | | | |
| A430C18-15 | 18 | 3 | 15 | | | | | | | |
| A430C20-15 | 20 | 4.5 | 22.1 | | | | | | | |
| A430C25-15 | 25 | 6.5 | 31.2 | | | | | | | |
| A430C30-15 | 30 | 7.7 | 36.2 | | | | | | | |
| A430C35-15 | 35 | 9 | 41.4 | | | | | | | |
| A430C45-15 | 45 | 12 | 54.6 | | | | | | | |
| A430C50-15 | 50 | 15 | 68 | | | | | | | |
| A430C65-15 | 65 | 29 | 84 | | | | | | | |
| A430C75-15 | 75 | 36 | 100 | | | | | | | |
| A430C80-15 | 80 | 42 | 120 | | | | | | | |
| A430C90-15 | 90 | 58 | 160 | | | | | | | |
| A430C100-15 | 100 | 66 | 180 | | | | | | | |
| 4.3 kV Max Type 70 tube to tube | | | | | A | B | C | D | E | F |
| A430C6-70 | 6 | 0.4 | 2.49 | 65 kA @4300V RMS Sym | 10.00 (254.0) | 7.12 (180.8) | 1.00 (25.4) | 2.00 (50.8) | 8.00 (203.2) | .63 (15.9) |
| A430C8-70 | 8 | 0.73 | 4.31 | | | | | | | |
| A430C10-70 | 10 | 1.14 | 6.38 | | | | | | | |
| A430C12-70 | 12 | 1.6 | 8.64 | | | | | | | |
| A430C18-70 | 18 | 3 | 15 | | | | | | | |
| A430C20-70 | 20 | 4.5 | 22.1 | | | | | | | |
| A430C25-70 | 25 | 6.5 | 31.2 | | | | | | | |
| A430C30-70 | 30 | 7.7 | 36.2 | | | | | | | |
| A430C35-70 | 35 | 9 | 41.4 | | | | | | | |
| A430C45-70 | 45 | 12 | 54.6 | | | | | | | |
| A430C50-70 | 50 | 15 | 68 | | | | | | | |
| A430C65-70 | 65 | 29 | 84 | | | | | | | |
| A430C75-70 | 75 | 36 | 100 | | | | | | | |
| A430C80-70 | 80 | 42 | 120 | | | | | | | |
| A430C90-70 | 90 | 58 | 160 | | | | | | | |
| A430C100-70 | 100 | 66 | 180 | | | | | | | |
| 4.35 kV Max Type 75 external female to tube | | | | | A | B | C | D | E | F |
| A430C6-75 | 6 | 0.4 | 2.49 | 65 kA @ 4300V RMS Sym | 9.75 (247.7) | 7.12 (180.8) | 1.00 (25.4) | 2.00 (50.8) | 8.00 (203.2) | 0.63 (15.9) |
| A430C8-75 | 8 | 0.73 | 4.31 | | | | | | | |
| A430C10-75 | 10 | 1.14 | 6.38 | | | | | | | |
| A430C12-75 | 12 | 1.6 | 8.64 | | | | | | | |
| A430C18-75 | 18 | 3 | 15 | | | | | | | |
| A430C20-75 | 20 | 4.5 | 22.1 | | | | | | | |
| A430C25-75 | 25 | 6.5 | 31.2 | | | | | | | |
| A430C30-75 | 30 | 7.7 | 36.2 | | | | | | | |
| A430C35-75 | 35 | 9 | 41.4 | | | | | | | |
| A430C45-75 | 45 | 12 | 54.6 | | | | | | | |
| A430C50-75 | 50 | 15 | 68 | | | | | | | |
| A430C65-75 | 65 | 29 | 84 | | | | | | | |
| A430C75-75 | 75 | 36 | 100 | | | | | | | |
| A430C80-75 | 80 | 42 | 120 | | | | | | | |
| A430C90-75 | 90 | 58 | 160 | | | | | | | |
| A430C100-75 | 100 | 66 | 180 | | | | | | | |



© 2025 Mersen. All rights reserved. Mersen reserves the right to change, update, or correct, without notice, any information contained in this datasheet.

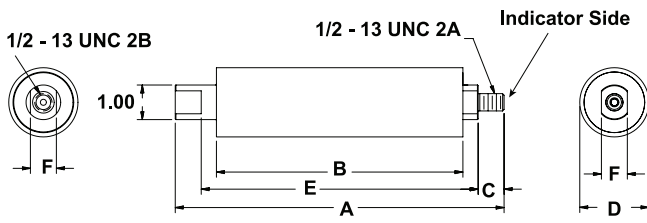
Capacitor Protection

Amp-Trap® and 9F60 Series

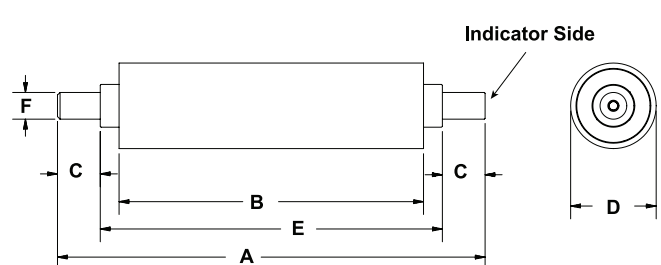
MEDIUM VOLTAGE
FUSES

5.5kV CAPACITOR FUSES AMP-TRAP SERIES

| Catalog Number | Ampere Rating | Melting I ² t (kA ² s) | Maximum 1 Clearing I ² t (kA ² s) | Maximum 1 Phase Interrupting Rating | Overall Length Inches (mm) | Tube Length Inches (mm) | Ind. Housing Inches (mm) | Body Dia Inches (mm) | Bracket Dimensions Inches (mm) | |
|---|---------------|--|---|-------------------------------------|----------------------------|-------------------------|--------------------------|----------------------|--------------------------------|------------|
| 5.5 kV Max Type 15 external female to bolt | | | | | A | B | C | D | E | F |
| A550C6-15 | 6 | 0.4 | 2.49 | 65 kA @ 5500V RMS Sym | 9.50 (241.3) | 7.12 (180.8) | .75 (19.1) | 2.00 (50.8) | 8.00 (203.2) | .75 (19.1) |
| A550C8-15 | 8 | 0.73 | 4.31 | | | | | | | |
| A550C10-15 | 10 | 1.14 | 6.38 | | | | | | | |
| A550C12-15 | 12 | 1.6 | 8.64 | | | | | | | |
| A550C18-15 | 18 | 3 | 15 | | | | | | | |
| A550C20-15 | 20 | 4.5 | 22.1 | | | | | | | |
| A550C25-15 | 25 | 6.5 | 31.2 | | | | | | | |
| A550C30-15 | 30 | 7.7 | 36.2 | | | | | | | |
| A550C35-15 | 35 | 9 | 41.4 | 50 kA @ 5500V RMS Sym | 9.50 (241.3) | .75 (19.1) | 2.00 (50.8) | 8.00 (203.2) | .75 (19.1) | |
| A550C40-15 | 40 | 12 | 54.6 | | | | | | | |
| A550C50-15 | 50 | 15 | 68 | | | | | | | |
| A550C65-15 | 65 | 35 | 156 | | | | | | | |
| A550C75-15 | 75 | 43 | 186 | | | | | | | |
| 5.5 kV Max Type 70 tube to tube | | | | | A | B | C | D | E | F |
| A550C6-70 | 6 | 0.4 | 2.49 | 65 kA @ 5500V RMS Sym | 10.00 (254.0) | 7.12 (180.8) | 1.00 (25.4) | 2.00 (50.8) | 8.00 (203.2) | .63 (15.9) |
| A550C8-70 | 8 | 0.73 | 4.31 | | | | | | | |
| A550C10-70 | 10 | 1.14 | 6.38 | | | | | | | |
| A550C12-70 | 12 | 1.6 | 8.64 | | | | | | | |
| A550C18-70 | 18 | 3 | 15 | | | | | | | |
| A550C20-70 | 20 | 4.5 | 22.1 | | | | | | | |
| A550C25-70 | 25 | 6.5 | 31.2 | | | | | | | |
| A550C30-70 | 30 | 7.7 | 36.2 | | | | | | | |
| A550C35-70 | 35 | 9 | 41.4 | 50 kA @ 5500V RMS Sym | 10.00 (254.0) | 1.00 (25.4) | 2.00 (50.8) | 8.00 (203.2) | .63 (15.9) | |
| A550C40-70 | 40 | 12 | 54.6 | | | | | | | |
| A550C50-70 | 50 | 15 | 68 | | | | | | | |
| A550C65-70 | 65 | 35 | 156 | | | | | | | |
| A550C75-70 | 75 | 43 | 186 | | | | | | | |



Type 15



Type 70

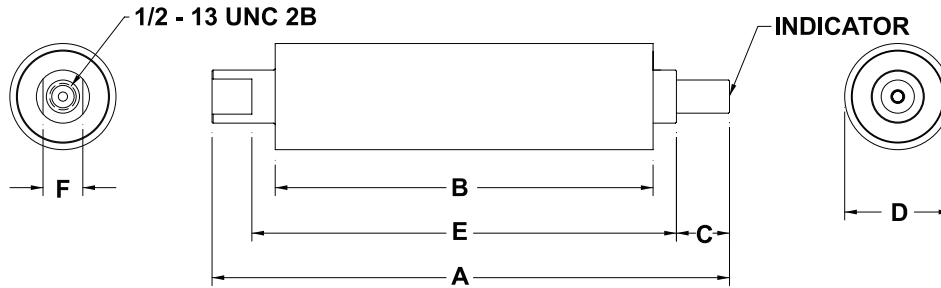
© 2025 Mersen. All rights reserved. Mersen reserves the right to change, update, or correct, without notice, any information contained in this datasheet.

5.5kV / 9.52kV CAPACITOR FUSES AMP-TRAP SERIES

5.5kV Capacitor Fuses - Amp-Trap Series

| Catalog Number | Ampere Rating | Melting I ² t [kA ² s] | Maximum Clearing I ² t [kA ² s] | Maximum 1 Phase Interrupting Rating [kA] | Overall Length Inches (mm) | Tube Length Inches (mm) | Indicator Housing Inches (mm) | Body Dia Inches (mm) | Inches (mm) | Inches (mm) |
|---|---------------|--|---|--|----------------------------|-------------------------|-------------------------------|----------------------|--------------|-------------|
| 5.5 kV Max Type 75 external female to tube | | | | | A | B | C | D | E | F |
| A550C6-75 | 6 | 0.4 | 2.49 | 65 kA @ 5500V RMS Sym | 9.75 [247.7] | 7.12 [180.8] | 1.00 [2.54] | 2.00 [50.8] | 8.00 [203.2] | 0.63 [15.9] |
| A550C8-75 | 8 | 0.73 | 4.31 | | | | | | | |
| A550C10-75 | 10 | 1.14 | 6.38 | | | | | | | |
| A550C12-75 | 12 | 1.6 | 8.64 | | | | | | | |
| A550C18-75 | 18 | 3 | 15 | | | | | | | |
| A550C20-75 | 20 | 4.5 | 22.1 | | | | | | | |
| A550C25-75 | 25 | 6.5 | 31.2 | | | | | | | |
| A550C30-75 | 30 | 7.7 | 36.2 | | | | | | | |
| A550C35-75 | 35 | 9 | 41.4 | | | | | | | |
| A550C40-75 | 40 | 12 | 54.6 | | | | | | | |
| A550C50-75 | 50 | 15 | 68 | 50 kA @ 5500V RMS Sym | 9.75 [247.7] | 7.12 [180.8] | 1.00 [2.54] | 2.00 [50.8] | 8.00 [203.2] | 0.63 [15.9] |
| A550C65-75 | 65 | 35 | 156 | | | | | | | |
| A550C75-75 | 75 | 43 | 186 | | | | | | | |

Type 75



5.5kV Capacitor fuses - 9F60 series, EJO-5

12" (305 mm) Clip Centers clip-in mounting* - Suitable for use indoors or outdoors



| Catalog No. | Amp Rating | No. of Barrels | Indicating | Diameter Inches (mm) | Length Inches (mm) | Max Voltage | Max IR RMS Sym |
|-------------|------------|----------------|------------|----------------------|--------------------|-------------|----------------|
| 9F60RJD025 | 25A | 1 | Yes | 2.08 [52.8] | 14.0 [356] | 5.5 kV | 50kA |
| 9F60RJD040 | 40A | | | | | | |
| 9F60RJD080 | 80A | | | | | | |

9.52kV Capacitor fuses - 9F60 series, EJO-5

12" (305 mm) Clip Centers clip-in mounting* - Suitable for use indoors or outdoors



| Catalog No. | Amp Rating | No. of Barrels | Indicating | Diameter Inches (mm) | Length Inches (mm) | Max Voltage | Max IR RMS Sym |
|-------------|------------|----------------|------------|----------------------|--------------------|-------------|----------------|
| 9F60RJF015 | 15A | 1 | Yes | 2.08 [52.8] | 14.0 [356] | 9.25 kV | 50kA |
| 9F60RJF025 | 25A | | | | | | |
| 9F60RJF040 | 40A | | | | | | |

*EJO-5 Capacitor fuses are typically mounted directly on the capacitor.

Overhead Distribution Protection

Sure Guard 9F59U Series ETP Fuses

MEDIUM VOLTAGE FUSES

8.3kV, 15.5kV, AND 23.0kV OVERHEAD BACK-UP FUSES



The Sure Guard ETP back-up current-limiting fuses are designed to protect overhead distribution systems and are used in series with another protective device (such as an expulsion fuse). This combination limits the high-fault current to a safe level, thus providing protection through the complete range. As its name implies, the “ETP” is for External Transformer Protection. For conventional transformers protected by expulsion-fuses cutouts, the ETP can be installed in series with the cutout. For self protected transformers, the ETP can be applied on the high-voltage bushing in series with the internal transformer expulsion fuse.

DEFINITIONS:

Back-up Current-Limiting Fuses:

A back-up current-limiting fuse is a fuse that can interrupt any current between its rated minimum interrupting current and its maximum interrupting current. Back-up fuses are not designed or intended to open under overload conditions.

RATINGS:

9F59UBC:

- **Volts:** 8.3kV AC
- **Amps:** 12K to 80K
- **IR:** 50kA Sym

9F59UBD:

- **Volts:** 15.5kV AC
- **Amps:** 12K to 80K
- **IR:** 50kA Sym

9F59UBE:

- **Volts:** 23.0kV AC
- **Amps:** 12K to 25K
- **IR:** 50kA Sym

FEATURES/BENEFITS:

- Various hardware options
- Current-limiting for superior equipment protection
- Weather-tight construction
- High fault current interrupting capability: I.R. Sym = 50kA at ETP voltage rating.

APPLICATIONS:

- Short-circuit protection of overhead distribution systems

FUSE CURVES:

- Minimum Melt: GES8228B
- Total Clear: GES-8229B
- Peak Let-through: GET-6693A



ETP SELECTION DATA

| ETP Rating | Rating [kV] | | | Model Number | Recommended Max. Expulsion | Min. I.C. Amperes | Max. Total I ² t | Length - Dimension "A" (Inches)** |
|------------|---------------------|-----|-------|----------------|----------------------------|-------------------|-----------------------------|-----------------------------------|
| | System kV (maximum) | 3PH | PH-PH | | | | | |
| 8.3 | 15 | 15 | 8.3 | 9F59UBC ___ 1 | 8T or 12K | 440 | 16,000 | 5.9 |
| | | | | 9F59UBC ___ 2 | 15T or 25K | 450 | 50,000 | 10.26 |
| | | | | 9F59UBC ___ 4 | 25T or 40K | 560 | 140,000 | 10.26 |
| | | | | 9F59UBC ___ 8* | 50T or 80K | 1,200 | 88,000 | 10.26 |
| 15.5 | 27 | 27 | 15.5 | 9F59UBD ___ 1 | 8T or 12K | 510 | 16,000 | 10.26 |
| | | | | 9F59UBD ___ 2 | 15T or 25K | 480 | 50,000 | 15.68 |
| | | | | 9F59UBD ___ 4 | 25T or 40K | 890 | 140,000 | 15.68 |
| | | | | 9F59UBD ___ 8* | 50T or 80K | 1,200 | 88,000 | 15.68 |
| 23.0 | 38 | 38 | 23.0 | 9F59UBE ___ 1 | 8T or 12K | 280 | 16,000 | 15.68 |
| | | | | 9F59UBE ___ 2 | 15T or 25K | 460 | 70,000 | 15.68 |

HARDWARE SELECTION

| Description | Figure Number | Code |
|--|---------------|------|
| Caps (see drawings on next page) | | |
| Spade and Stud | A | 1 |
| Spade and Spade | B | 2 |
| Spade and Spade (parallel config.) | C | * |
| * Refer to Table 1 for available model numbers and refer to Figure C for dimensions (next page). | | |
| Hardware (see drawings below) | | |
| Without hardware | — | 0 |
| {1} Adapter | 1 | 1 |
| {1} Eyebolt terminal | 2 | 2 |
| {1} Parallel groove | 3 | 3 |
| Adapter and eyebolt terminal | 1,2 | 4 |
| Adapter and parallel groove | 1,3 | 5 |
| Eyebolt terminal and parallel groove | 2,3 | 6 |
| {2} Eyebolt terminals | 2 | 7 |
| {2} Parallel groove | 3 | 8 |

** For dimensions, refer to outline drawings on next page.

TABLE 1: AVAILABLE MODEL NUMBERS IN PARALLEL CONFIGURATION

| Catalog Number | ETP Rating | Catalog Number | ETP Rating |
|----------------|------------|----------------|------------|
| 9F59UBC208 | 8.3 | 9F59UBD208 | 15.5 |
| 9F59UBC218 | 8.3 | 9F59UBD218 | 15.5 |
| 9F59UBC228 | 8.3 | 9F59UBD228 | 15.5 |
| 9F59UBC238 | 8.3 | 9F59UBD238 | 15.5 |
| 9F59UBC248 | 8.3 | 9F59UBD248 | 15.5 |
| 9F59UBC258 | 8.3 | 9F59UBD258 | 15.5 |
| 9F59UBC268 | 8.3 | 9F59UBD268 | 15.5 |
| 9F59UBC278 | 8.3 | 9F59UBD278 | 15.5 |
| 9F59UBC288 | 8.3 | 9F59UBD288 | 15.5 |

HARDWARE OPTIONS:

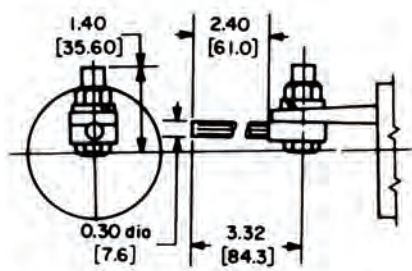


Fig. 1. Adapter only
9F59AAW007

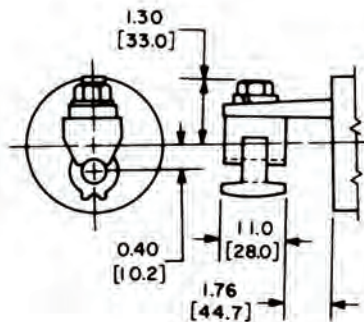


Fig. 2. Eyebolt only,
for 6-2/0 cable
9F59AAW008

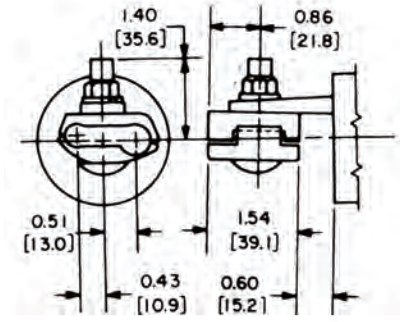


Fig. 3. Parallel groove only,
for 2/0 to 250MCM cable
9F59AAW009

© 2025 Mersen. All rights reserved. Mersen reserves the right to change, update, or correct, without notice, any information contained in this datasheet.

Overhead Distribution Protection

Sure Guard 9F59U Series ETP Fuses

MEDIUM VOLTAGE
FUSES

DIMENSIONS:

Figure A

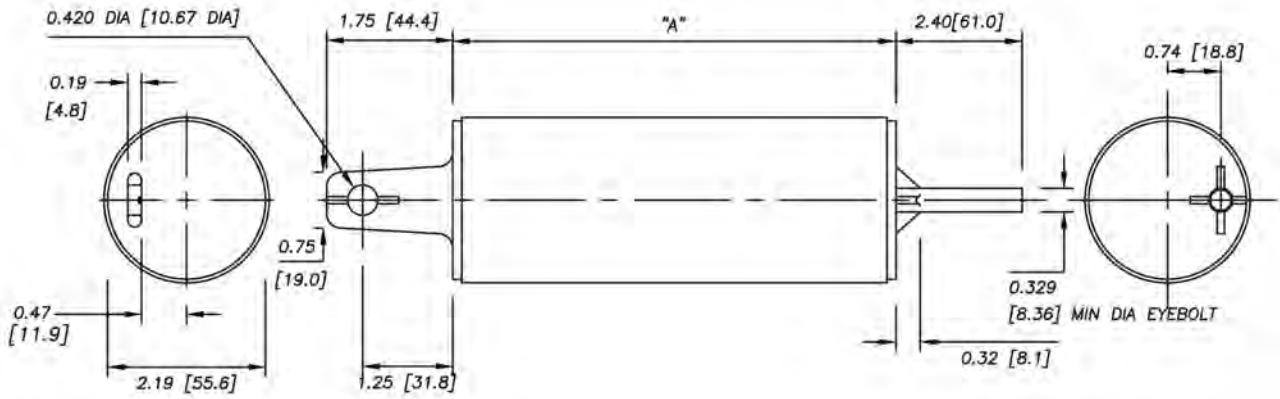


Figure B

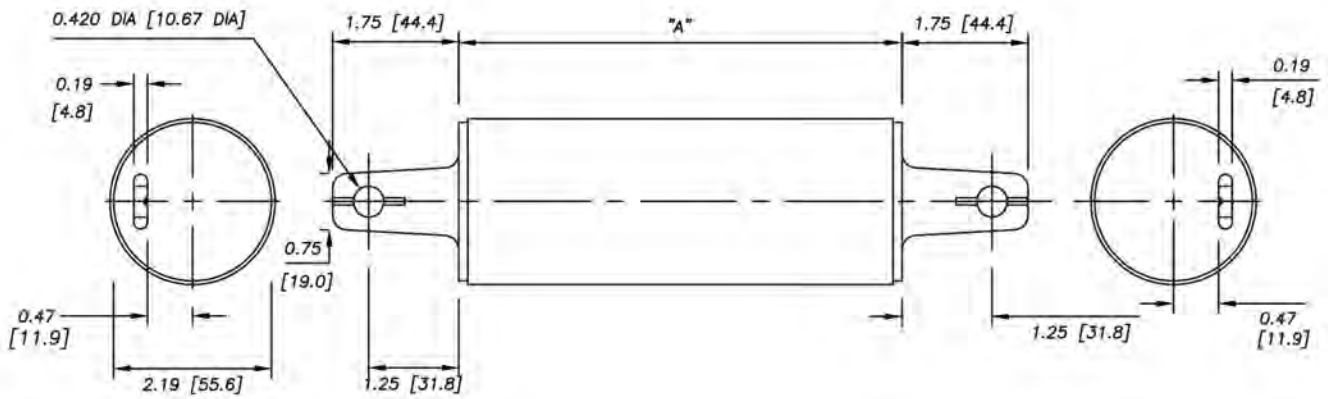
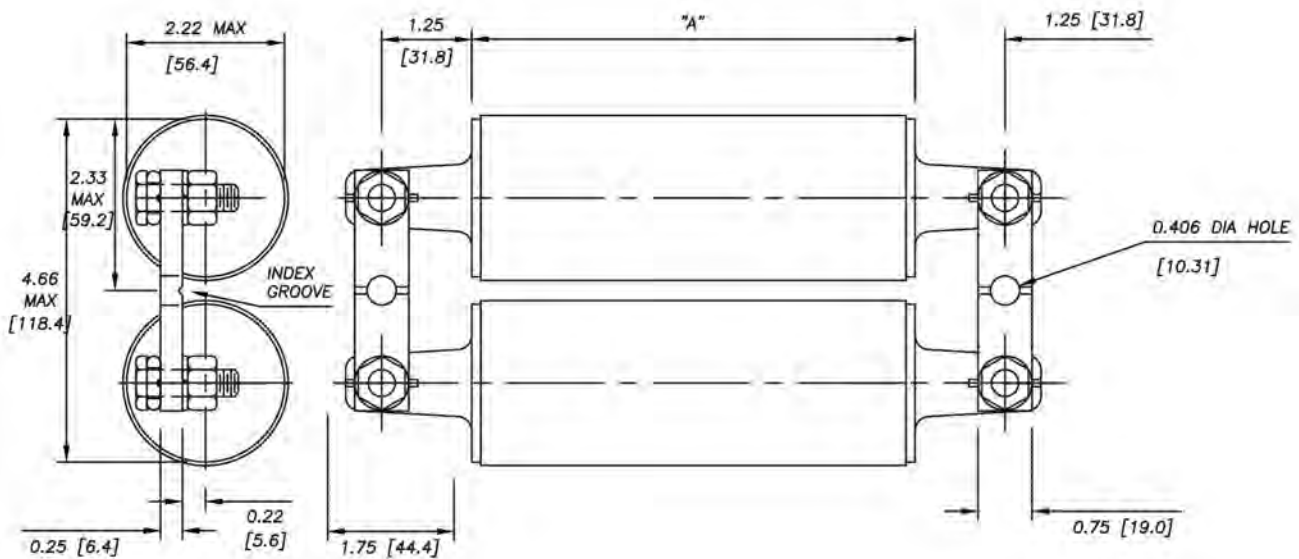


Figure C



© 2025 Mersen. All rights reserved. Mersen reserves the right to change, update, or correct, without notice, any information contained in this datasheet.