

IEC Modular Replacement and Spare Parts Catalog North America

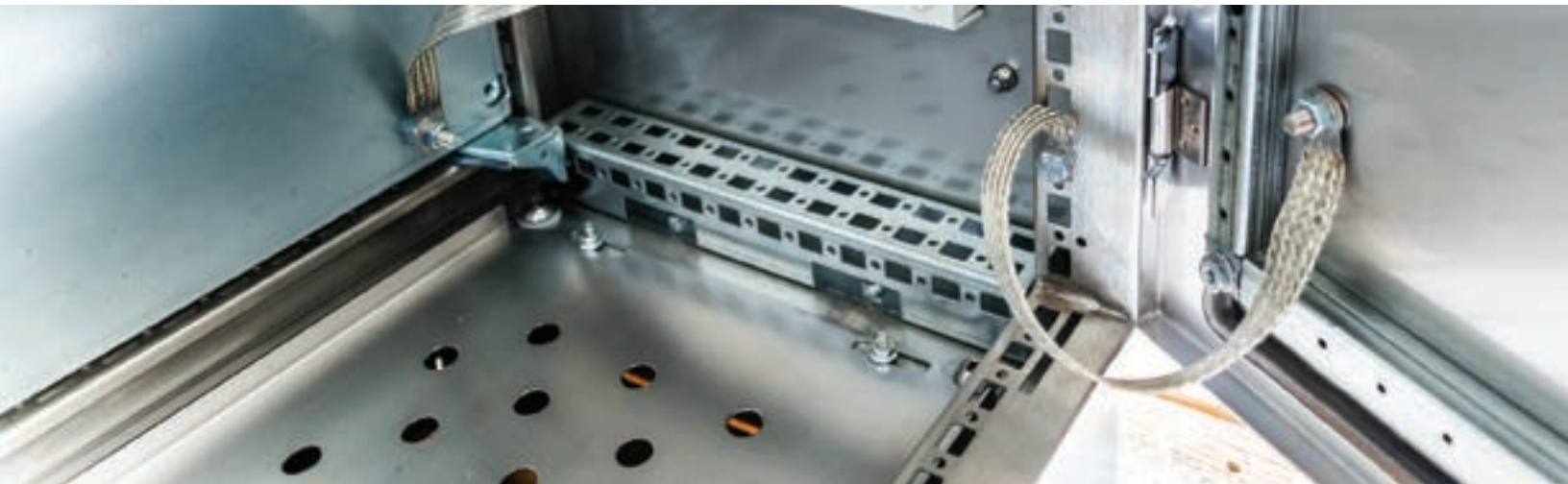




nVent offers the right enclosure solution for virtually any application

Rely on our innovative nVent HOFFMAN solutions: enclosures, climate control, and panel shop automation that protect critical equipment and keep your systems running smoothly.

All solutions are designed to make it easier, safer and more cost-effective for our customers to do business.



nVent is dedicated to delivering the most comprehensive range of superior quality, cost-effective products to customers. As part of that commitment, we support you every step of the way, from the simplest to the most complex solutions. We also provide detailed guidance and quotations, so you understand the purpose and cost of the whole solution, including each component.

Assembly services to reduce costs

To further support our customers, we provide assembly services for both standard and custom-designed accessories.

The assembly services include engineering with you, creating drawings and 3D CAD models, and developing prototypes to ensure functionality, specifications and budget are met.

Your benefits:

- Comprehensive range of industry-leading solutions
- 16,000+ standard products with large in-stock selection
- Full certification
- Convenient customization services
- Local inventories for faster shipping

Modular Enclosures

Protection you can trust for mild to harsh environments, nVent HOFFMAN floor standing enclosures set a high standard for strength, ease of use and easy installation. Choose from a broad range of models, configurations, mounting options, sizes, finishes and type ratings, as well as a complete range of accessories.

Modular Enclosures

Overview

Mild steel

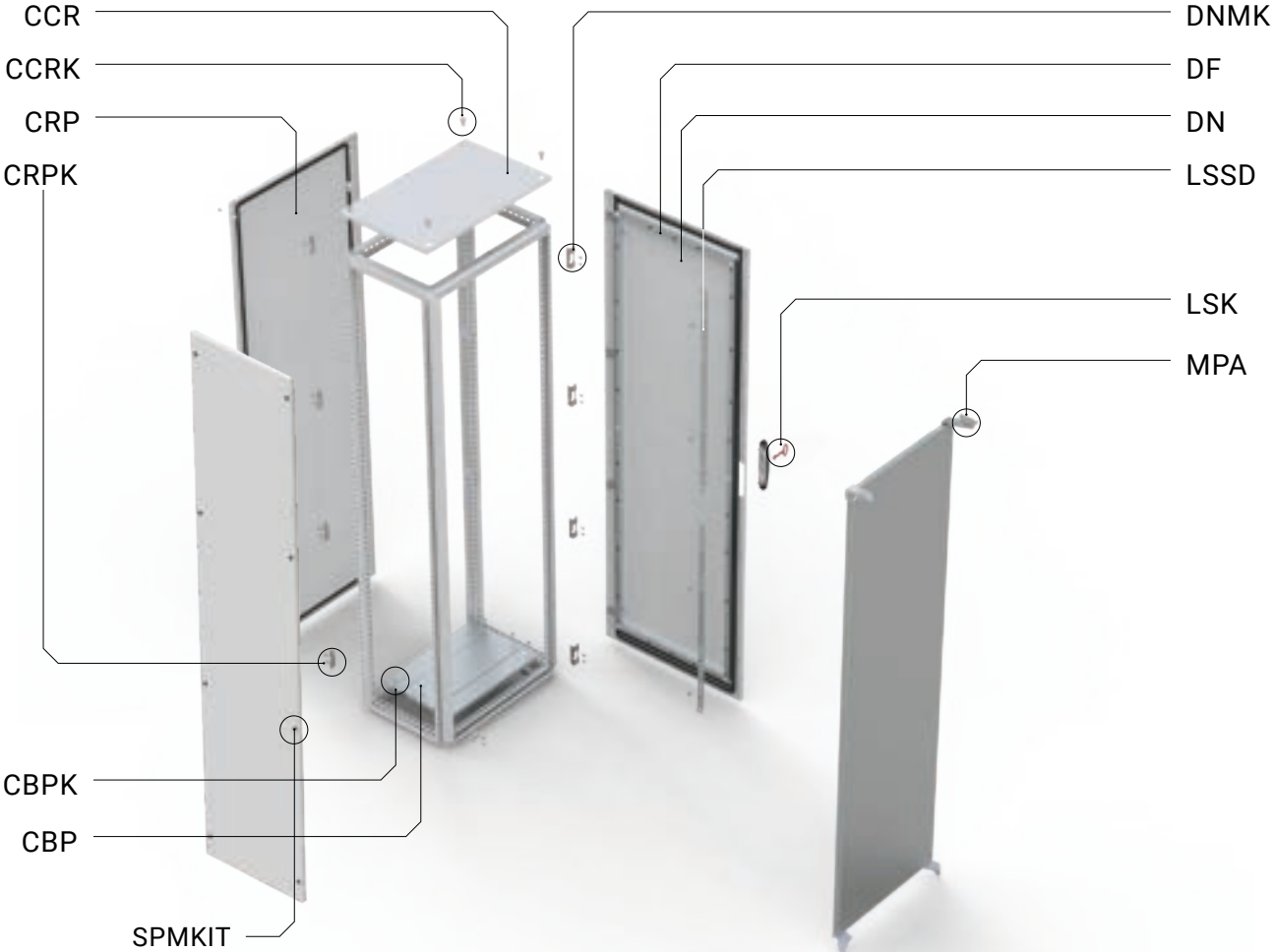
- Single door enclosure, combinable version | MCS 5
- Double door enclosure, combinable version | MCD..... 6
- IP protected ICT rack | MCI..... 7
- Replacement parts..... 9



Modular Enclosures

Mild steel

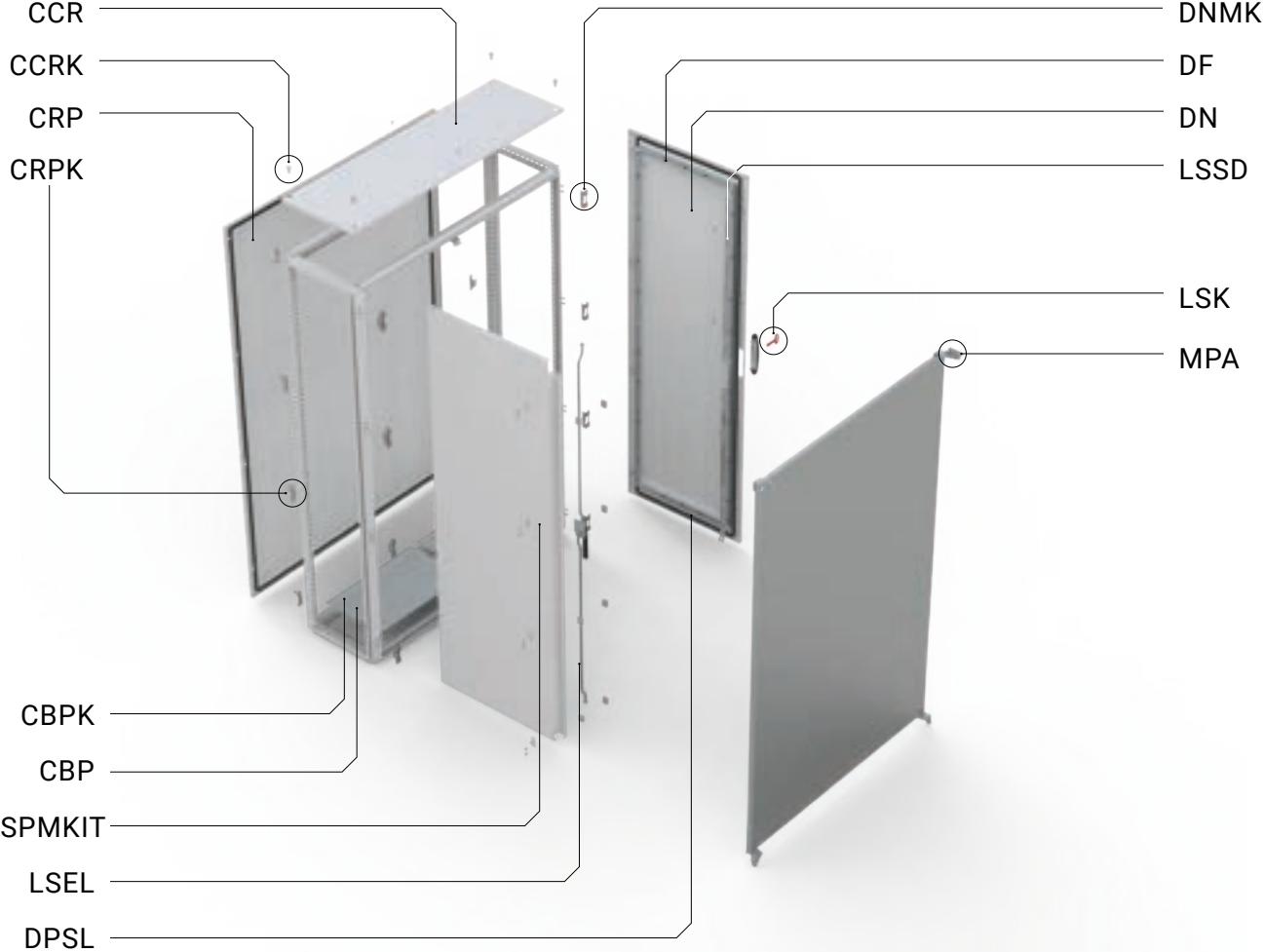
Single door enclosure, combinable version | MCS



Modular Enclosures

Mild steel

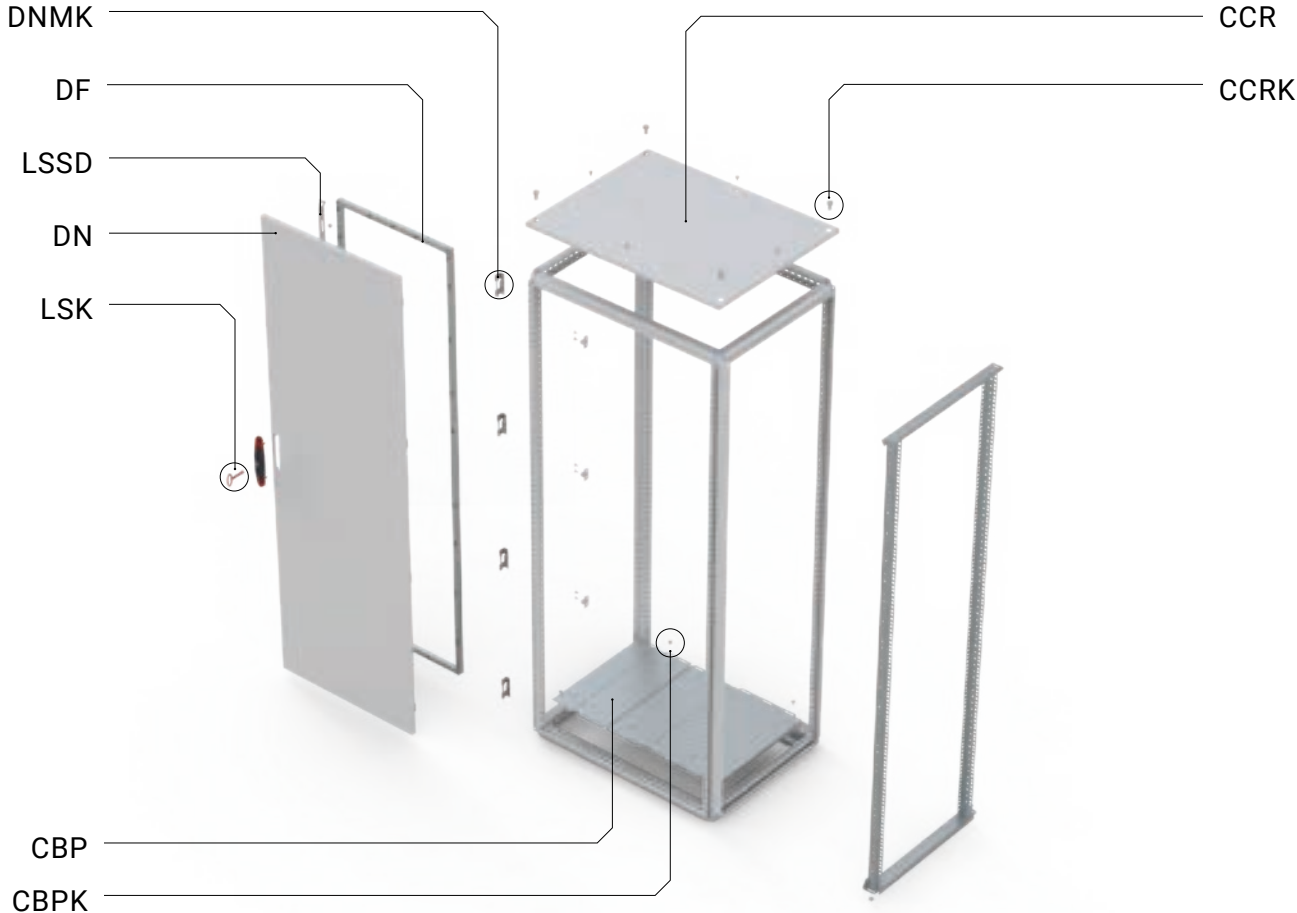
Double door enclosure, combinable version | MCD



Modular Enclosures

Mild steel

IP protected ICT rack | MCI





Modular Enclosures

Replacement parts

- Floor standing plain door | DN 10
- Floor standing locking system | LSSD 11
- Left door espagnolette | LSEL 11
- Floor standing door frame | DF 12
- Door mounting kit | DNMK 13
- Key | LSK 13
- Roof plate | CCR 14
- Rear panel | CRP 15
- Roof mounting kit | CCRK 15
- Rear panel mounting kit | CRPK 16
- Door plastic support | DPSL 16
- Mounting plate brackets | MPA 16
- Bottom plate | CBP 17
- Bottom plate screws | CBPK 18

Modular Enclosures

Replacement parts

Floor standing plain door | DN

Description: Standard door equipped with double-bit 3 mm lock system and door frame. Door accessory kit DNMK (hinges, rod catches) to be ordered separately. Allows all the options of the locking program and 180° hinges.

Material: 2 mm steel plate.

Finish: RAL 7035 structured powder coating.

Pack quantity: 1 piece.

Maximum load: 800 N.

Mounting requirement: Use hinge kit DNMK01 (single door) or DNMK02 (double door) if no door was fitted previously.

H	W	Catalog No.
Plain door		
1100	600	DN1106R5
1200	600	DN1206R5
1200	800	DN1208R5
1400	600	DN1406R5
1400	800	DN1408R5
1600	600	DN1606R5
1600	800	DN1608R5
1600	1000	DN1610R5
1800	500	DN1805R5
1800	600	DN1806R5
1800	800	DN1808R5
1800	1000	DN1810R5
2000	500	DN2005R5
2000	600	DN2006R5
2000	800	DN2008R5
2000	1000	DN2010R5
2200	600	DN2206R5
2200	800	DN2208R5

H	W	Catalog No.
Left door		
1200	600	DN1206LR5
1400	600	DN1406LR5
1600	600	DN1606LR5
1800	400	DN1804LR5
1800	500	DN1805LR5
1800	600	DN1806LR5
1800	800	DN1808LR5
1800	900	DN1809LR5
2000	400	DN2004LR5
2000	500	DN2005LR5
2000	600	DN2006LR5
2000	800	DN2008LR5
2000	900	DN2009LR5
2200	500	DN2205LR5
2200	600	DN2206LR5

H	W	Catalog No.
Right door		
1200	600	DN1206RR5
1400	600	DN1406RR5
1600	600	DN1606RR5
1800	400	DN1804RR5
1800	500	DN1805RR5
1800	600	DN1806RR5
1800	800	DN1808RR5
1800	900	DN1809RR5
2000	400	DN2004RR5
2000	500	DN2005RR5
2000	600	DN2006RR5
2000	800	DN2008RR5
2000	900	DN2009RR5
2200	500	DN2205RR5
2200	600	DN2206RR5

All measurements are in mm.



Modular Enclosures

Replacement parts

Floor standing locking system | LSSD

Description: Complete espagnolette system for single and double door floor standing enclosures.

Pack quantity: Complete set for one door.

H	Catalog No.
1100	LSSD1100
1200	LSSD1200
1400	LSSD1400
1600	LSSD1600
1800	LSSD1800
2000	LSSD2000
2200	LSSD2200

All measurements are in mm.



Left door espagnolette | LSEL

Description: Complete espagnolette system for locking the left door of double door floor standing enclosures.

Pack quantity: Complete set for one left door.

H	Catalog No.
1200	LSEL 1200
1400	LSEL1400
1600	LSEL1600
1800	LSEL1800
2000	LSEL2000
2200	LSEL2200

All measurements are in mm.



Modular Enclosures

Replacement parts

Floor standing door frame | DF

Description: Gives the door extra rigidity and is removable. The hole pattern in steps of 25 mm allows mounting of several accessories.

Pack quantity: Complete set for one door.

H	W	Catalog No.
Plain door		
1100	600	DF1106
1200	600	DF1206
1200	800	DF1208
1400	600	DF1406
1400	800	DF1408
1600	600	DF1606
1600	800	DF1608
1600	1000	DF1610
1800	500	DF1805
1800	600	DF1806
1800	800	DF1808
1800	1000	DF1810
2000	500	DF2005
2000	600	DF2006
2000	800	DF2008
2000	1000	DF2010
2200	600	DF2206
2200	800	DF2208

H	W	Catalog No.
Left door		
1200	600	DF1206L
1400	500	DF1405L
1400	600	DF1406L
1600	600	DF1606L
1800	400	DF1804L
1800	500	DF1805L
1800	600	DF1806L
1800	800	DF1808L
1800	900	DF1809L
2000	400	DF2004L
2000	500	DF2005L
2000	600	DF2006L
2000	800	DF2008L
2000	900	DF2009L
2200	500	DF2205L
2200	600	DF2206L

H	W	Catalog No.
Right door		
1200	600	DF1206R
1400	500	DF1405R
1400	600	DF1406R
1600	600	DF1606R
1800	400	DF1804R
1800	500	DF1805R
1800	600	DF1806R
1800	800	DF1808R
1800	900	DF1809R
2000	400	DF2004R
2000	500	DF2005R
2000	600	DF2006R
2000	800	DF2008R
2000	900	DF2009R
2200	500	DF2205R
2200	600	DF2206R



All measurements are in mm.

Modular Enclosures

Replacement parts

Door mounting kit | DNMK

Description: Required when fitting a door. Only needed when there was no door mounted previously.

Pack quantity: 1 complete kit with hinges, rod catches and mounting accessories.

Description	Catalog No.
For single door enclosures	DNMK01
For double door enclosures	DNMK02

All measurements are in mm.



Key | LSK

Description: Key with nVent HOFFMAN logo. Easy to use design and provides a good grip.

Material: Die cast alloy.

Pack quantity: 1 piece.

Description	Catalog No.
Plastic DIN3	LSK502
Metallic DIN 3 mm	LSK503
Metallic DIN 5 mm	LSK505
Metallic Square 7 mm	LSK523
Metallic Square 8 mm	LSK524
Metallic Triangle 7 mm	LSK526
Metallic Triangle 8 mm	LSK527

All measurements are in mm.



Modular Enclosures

Replacement parts

Roof plate | CCR

Description: Standard roof plate to cover the top of the floor standing combinable range.

Material: 1.5 mm steel plate.

Finish: RAL7035 structured powder coating.

Pack quantity: 1 piece without mounting accessories.

Mounting requirement: Standard roof plate for separate delivery. For mounting, add CCRKS mounting kit.



W	D	Catalog No.
400	400	CCR044R5
500	500	CCR055R5
600	400	CCR064R5
600	500	CCR065R5
600	600	CCR066R5
600	800	CCR068R5
800	400	CCR084R5
800	500	CCR085R5
800	600	CCR086R5
800	800	CCR088R5
800	1000	CCR0810R5
1000	400	CCR104R5
1000	500	CCR105R5
1000	600	CCR106R5
1000	800	CCR108R5
1200	400	CCR124R5
1200	500	CCR125R5
1200	600	CCR126R5
1200	800	CCR128R5
1400	400	CCR144R5
1600	400	CCR164R5
1600	500	CCR165R5
1600	600	CCR166R5
1800	500	CCR185R5
1800	600	CCR186R5
1800	800	CCR188R5

All measurements are in mm.

Modular Enclosures

Replacement parts

Rear panel | CRP

Description: Can be replaced by a plain or transparent door.

Material: 1.5 mm steel plate.

Delivery: 1 rear panel.

H	W	Catalog No.
1100	600	CRP1106R5
1200	600	CRP1206R5
1200	800	CRP1208R5
1200	1200	CRP1212R5
1400	600	CRP1406R5
1400	800	CRP1408R5
1400	1200	CRP1412R5
1600	600	CRP1606R5
1600	800	CRP1608R5
1600	1000	CRP1610R5
1600	1200	CRP1612R5
1800	600	CRP1806R5
1800	800	CRP1808R5
1800	1000	CRP1810R5
1800	1200	CRP1812R5
1800	1600	CRP1816R5
1800	1800	CRP1818R5
2000	400	CRP2004R5
2000	600	CRP2006R5
2000	800	CRP2008R5
2000	1000	CRP2010R5
2000	1200	CRP2012R5
2000	1600	CRP2016R5
2000	1800	CRP2018R5
2200	600	CRP2206R5
2200	800	CRP2208R5
2200	1000	CRP2210R5

All measurements are in mm.



Roof mounting kit | CCRK

Description: Standard mounting accessories for the CCR and CRG roof plates.

Delivery: 4 pieces M12x20, 4 pieces M6x12 and 4 pieces M12 plastic washers.

Catalog No.
CCRK08



Modular Enclosures

Replacement parts

Rear panel mounting kit | CRPK

Description: Standard mounting accessories for the back panel.

Delivery: 8 rear panel brackets, 16 pieces extrude-tite M6x12. EPDM sealing part.

W	Catalog No.
400	CRPK04
500	CRPK05
600	CRPK06
800	CRPK08
1200	CRPK12*
1600	CRPK16

*Use CRPK12 for 1000 Wide Enclosures.
All measurements are in mm.



Door plastic support | DPSL

Description: Helps to center the door in case of uneven floor, easier closing and positioning of a heavily equipped door (cooling units, etc.). Mounted directly to the door frame on the bottom and top of the door. Highly recommended when fitting loads from 30 kg on door.

Delivery: 2 plastic supports with mounting accessories.

Catalog No.
DPSL01



Mounting plate brackets | MPA

Description: To fix mounting plates to the furthest position in the rear of the enclosure, including adjustment brackets for depth adjustment in steps of 25 mm. Brackets are needed when an extra mounting plate is required or when the enclosure is ordered without mounting plate (PE).

Material: 3 mm zinc plated steel.

Delivery: 2 top brackets, 2 bottom sliding brackets and 2 adjustment brackets with mounting accessories.

Catalog No.
MPA06



Modular Enclosures

Replacement parts

Bottom plate | CBP

Description: Consist of three or four pieces for easy cable access. To achieve perfect sealing around the cables use the gasket kit BG01.

Material: Zinc plated steel.

Pack quantity: 1 kit of two part bottom plate.



W	D	Catalog No.
400	400	CBP044
400	500	CBP045
400	600	CBP046
400	800	CBP048
500	500	CBP055
600	300	CBP063
600	400	CBP064
600	500	CBP065
600	600	CBP066
600	800	CBP068
800	300	CBP083
800	400	CBP084
800	500	CBP085
800	600	CBP086
800	800	CBP088
800	1000	CBP0810
1000	400	CBP104
1000	500	CBP105
1000	600	CBP106
1000	800	CBP108
1200	300	CBP123
1200	400	CBP124
1200	500	CBP125
1200	600	CBP126
1200	800	CBP128
1600	400	CBP164
1600	500	CBP165
1600	600	CBP166
1800	500	CBP185
1800	600	CBP186
1800	800	CBP188

All measurements are in mm.

Modular Enclosures

Replacement parts

Bottom plate screws | CBPK

Description: Standard mounting accessories for the back panel.

Pack quantity: 8 bottom plate screws.*

D	Catalog No.
500–800	CBPK08
1000	CBPK10

*For enclosures 1600 W or more, order qty of 2.

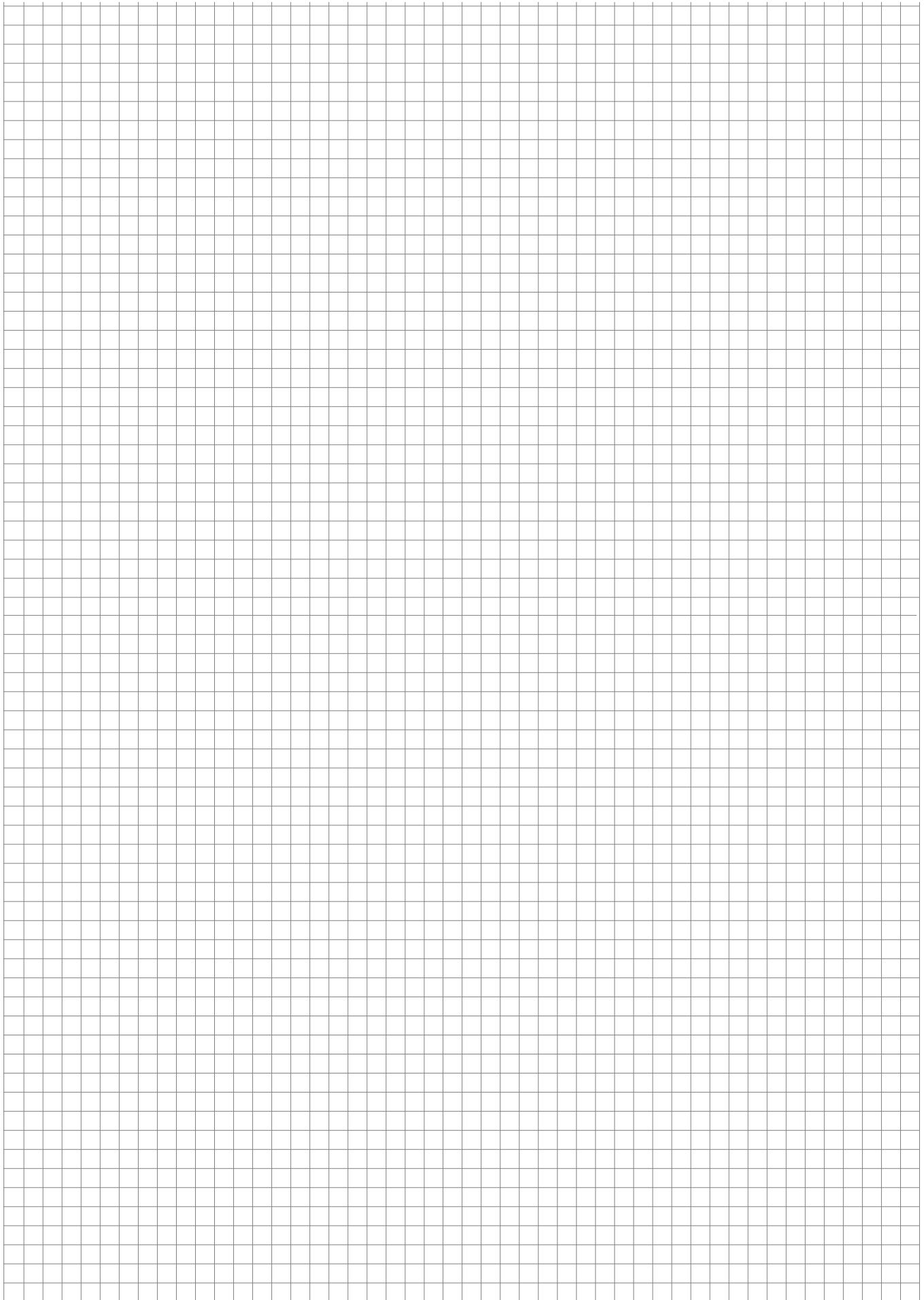
All measurements are in mm.



Side panel hardware | SPMKIT

Spare part	Pack quantity	Description
SPMKIT1N	16	Side panel quick fixation (Depth ≤ 800 mm)
SPMKIT2N	18	Side panel quick fixation (Depth > 800 mm)
SPMKIT1	16	Traditional side panel fixation with cage nuts and screws (Depth ≤ 800 mm)
SPMKIT2	18	Traditional side panel fixation with cage nuts and screws (Depth > 800 mm)





nVent.com



Our powerful portfolio of brands:

CADDY ERICO HOFFMAN ILSCO SCHROFF TRACHTE

©2026 nVent. All nVent marks and logos are owned or licensed by nVent Services GmbH or its affiliates. All other trademarks are the property of their respective owners. nVent reserves the right to change specifications without notice.
nVentHOFFMAN-CAT-N1402000-IECSparePartsNAM-USEN-2602

Distributed by Gross Automation | +1 (262) 252-1600 | sales@grossautomation.com