



**Beyond**™

## L-Series UL MCB

Bolt-on & Plug-on type Miniature Circuit Breakers



**LS** ELECTRIC

# Compact Size, High-Breaking Performance A New Standard for Ultra-Compact Miniature Circuit Breakers



## High performance

Up to 14 kA interrupting rating at 480Y/277 V (1-32 A). C- and D-curve trip characteristics provide flexible protection across a wide range of applications.



## Easy installation

Plug-on or bolt-on options with line-side terminations support fast installation and easy replacement.



## Reliable connections

Bolt-on designs help maintain secure connections in vibration- and shock-prone environments. Plug-on types enable strong fastening when used with the non-energized bolting cover accessory.



## Expanded functionality

Built-in status indicator provides clear breaker position visibility. A wide range of accessories supports enhanced monitoring and control.

**Beyond**X™

**L-Series UL MCB**  
Bolt-on & Plug-on type Miniature Circuit Breakers



LA63UB (Bolt-on MCB)

LA63UP (Plug-on MCB)

**Contents**

Specification .....	04
Ordering system .....	05
Dimensions .....	08
Technical Data .....	09
Installation Manual .....	10

# Specification

## LA63UB (Bolt-on MCB)



## LA63UP (Plug-on MCB)



Type			LA63UB	LA63UP	
Standard			UL489		
Approvals			CE, CB, KC		
Protection			Overload, short circuit		
Number of poles			1P, 2P, 3P		
Rated current (In)			(1, 2, 3, 4) <sup>Note 1</sup> 5, 6, 7, 8, 10, 13, 15, 16, 20, 25, 30, 32, 35, 40, 50, 60, 63A		
Electrical Features	Standard	Rated voltage	1P	2P, 3P	
		AC 277V	14kA (1~32A)	-	
	Rated short circuit capacity	UL489	AC 120/240V	10kA (1~63A)	-
			AC 480Y/277V	-	14kA (1~32A)
			AC 240V	-	10kA (1~63A)
			DC 65V	10kA (1~63A)	-
			DC 125V	-	10kA (1~63A)
			IEC60947-2	AC 230V/240V	10kA (1~63A)
	AC 400/415V	-	10kA (1~63A)		
	Insulation voltage (Ui)			500V	
Rated frequency			50/60Hz		
Rated impulse withstand voltage (Uimp)			4kV		
Tripping curve			C,D Curve		
Pollution degree			Deg III		
Electrical durability			6000		
Mechanical durability			20000		
Maximum switching frequency (Time/h)			360/h		
Protection degree			IP20		
Normal ambient temperature			-25~55 °C		
Relative humidity			45~85%RH		
Type of terminal			Line: Plug-on terminal & Bolt-on Terminal / Load: Lug & Screw		
Terminal capacity			Cable up to 4 AWG		
Tightening torque			3.9 N.m (35 lbf-in)		
Mounting			Bolt-on type	Plug-on type	
Accessories <sup>Note 2)</sup>	AX		LA-AXUB		
	AL		LA-ALUB		
	SHT		LA-SHTUB		

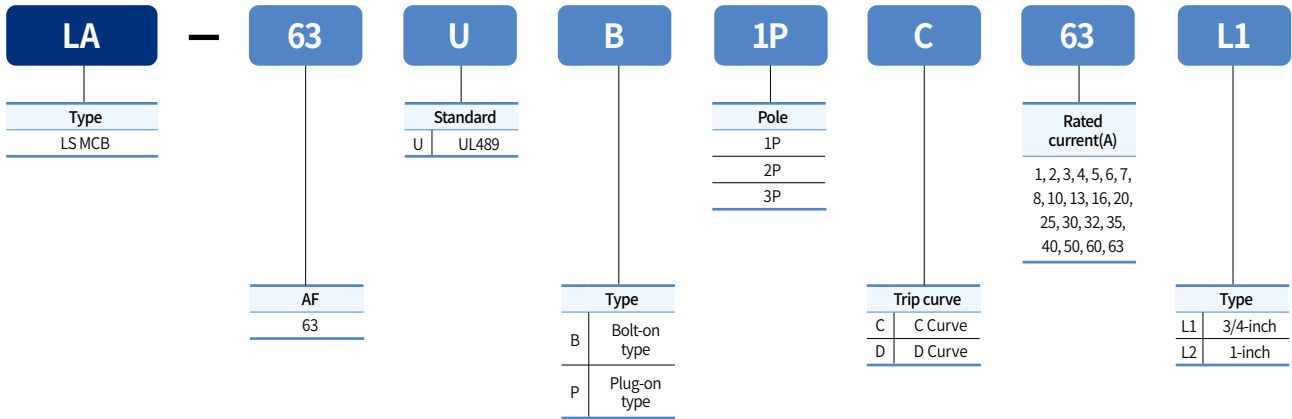
Note) 1. For 1, 2, 3, and 4 A ratings, please contact LS representative if required.

2. The accessory products will be available in December 2026.

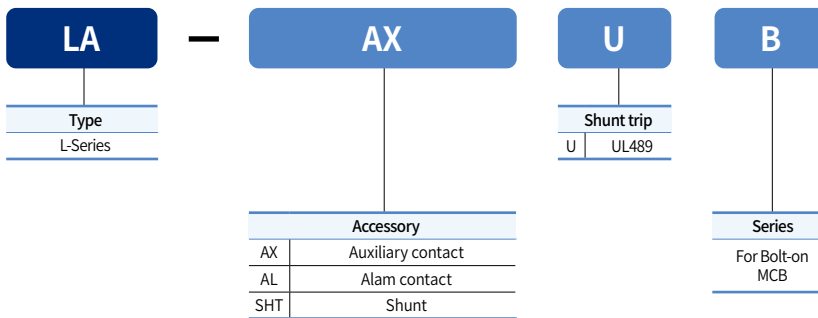
# Ordering system

## Configuration

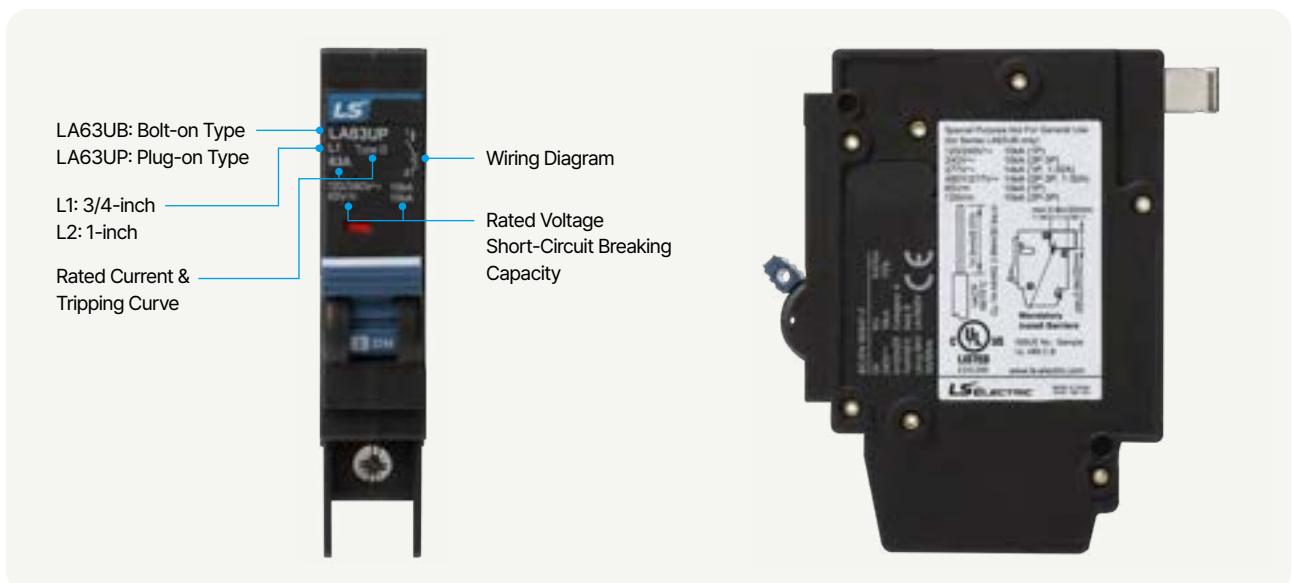
### MCB



### Accessory



## Product appearance



# Ordering system

## Ordering number

### LA63UB (Bolt-on MCB)

Type	Ue(V)	Breaking Capacity	In(A)	L1 (3/4-inch)		Weight (g)	Packing (pcs.)	L2 (1-inch)		Weight (g)	Packing (pcs.)					
				Ordering Number(USA)				Ordering Number(USA)								
				C-Curve	D-Curve			C-Curve	D-Curve							
1P	120/240VAC, 277VAC, 65VDC	10kA (120V/240VAC), 14kA(277VAC), 10kA(65VDC)	1A	7034000163	7034002263	115	12	7034012763	7034014863	120	9					
			2A	7034000263	7034002363			7034012863	7034014963							
			3A	7034000363	7034002463			7034012963	7034015063							
			4A	7034000463	7034002563			7034013063	7034015163							
			5A	7034000563	7034002663			7034013163	7034015263							
			6A	7034000663	7034002763			7034013263	7034015363							
			7A	7034000763	7034002863			7034013363	7034015463							
			8A	7034000863	7034002963			7034013463	7034015563							
			10A	7034000963	7034003063			7034013563	7034015663							
			13A	7034001063	7034003163			7034013663	7034015763							
			15A	7034001163	7034003263			7034013763	7034015863							
			16A	7034001263	7034003363			7034013863	7034015963							
			20A	7034001363	7034003463			7034013963	7034016063							
			25A	7034001463	7034003563			7034014063	7034016163							
			30A	7034001563	7034003663			7034014163	7034016263							
			32A	7034001663	7034003763			7034014263	7034016363							
			35A	7034001763	7034003863			7034014363	7034016463							
			40A	7034001863	7034003963			7034014463	7034016563							
	50A	7034001963	7034004063	7034014563	7034016663											
	60A	7034002063	7034004163	7034014663	7034016763											
	63A	7034002163	7034004263	7034014763	7034016863											
	2P	240VAC, 480Y/277VAC, 125VDC	10kA(240VAC), 14kA (480Y/277VAC), 10kA(125VDC)	1A	7034004363			7034006463	230			6	7034016963	7034019063	240	4
				2A	7034004463			7034006563					7034017063	7034019163		
				3A	7034004563			7034006663					7034017163	7034019263		
				4A	7034004663			7034006763					7034017263	7034019363		
				5A	7034004763			7034006863					7034017363	7034019463		
				6A	7034004863			7034006963					7034017463	7034019563		
				7A	7034004963			7034007063					7034017563	7034019663		
				8A	7034005063			7034007163					7034017663	7034019763		
				10A	7034005163			7034007263					7034017763	7034019863		
				13A	7034005263			7034007363					7034017863	7034019963		
				15A	7034005363			7034007463					7034017963	7034020063		
				16A	7034005463			7034007563					7034018063	7034020163		
				20A	7034005563			7034007663					7034018163	7034020263		
				25A	7034005663			7034007763					7034018263	7034020363		
				30A	7034005763			7034007863					7034018363	7034020463		
32A				7034005863	7034007963	7034018463	7034020563									
35A				7034005963	7034008063	7034018563	7034020663									
40A				7034006063	7034008163	7034018663	7034020763									
50A		7034006163	7034008263	7034018763	7034020863											
60A		7034006263	7034008363	7034018863	7034020963											
63A		7034006363	7034008463	7034018963	7034021063											
3P		240VAC, 480Y/277VAC, 125VDC	10kA(240VAC), 14kA (480Y/277VAC), 10kA(125VDC)	1A	7034008563	7034010663	345	4		7034021163	7034023263		360	3		
				2A	7034008663	7034010763				7034021263	7034023363					
				3A	7034008763	7034010863				7034021363	7034023463					
				4A	7034008863	7034010963				7034021463	7034023563					
				5A	7034008963	7034011063				7034021563	7034023663					
				6A	7034009063	7034011163				7034021663	7034023763					
				7A	7034009163	7034011263				7034021763	7034023863					
				8A	7034009263	7034011363				7034021863	7034023963					
				10A	7034009363	7034011463				7034021963	7034024063					
				13A	7034009463	7034011563				7034022063	7034024163					
				15A	7034009563	7034011663				7034022163	7034024263					
				16A	7034009663	7034011763				7034022263	7034024363					
				20A	7034009763	7034011863				7034022363	7034024463					
				25A	7034009863	7034011963				7034022463	7034024563					
				30A	7034009963	7034012063				7034022563	7034024663					
	32A			7034010063	7034012163	7034022663			7034024763							
	35A			7034010163	7034012263	7034022763			7034024863							
	40A			7034010263	7034012363	7034022863			7034024963							
	50A	7034010363	7034012463	7034022963	7034025063											
	60A	7034010463	7034012563	7034023063	7034025163											
	63A	7034010563	7034012663	7034023163	7034025263											
	10kA(240VAC), 10kA(125VDC)			35A	7034010163	7034012263			345	4	7034022763	7034024863			360	3
				40A	7034010263	7034012363					7034022863	7034024963				
				50A	7034010363	7034012463					7034022963	7034025063				
				60A	7034010463	7034012563					7034023063	7034025163				
				63A	7034010563	7034012663					7034023163	7034025263				

**LA63UP (Plug-on MCB)**

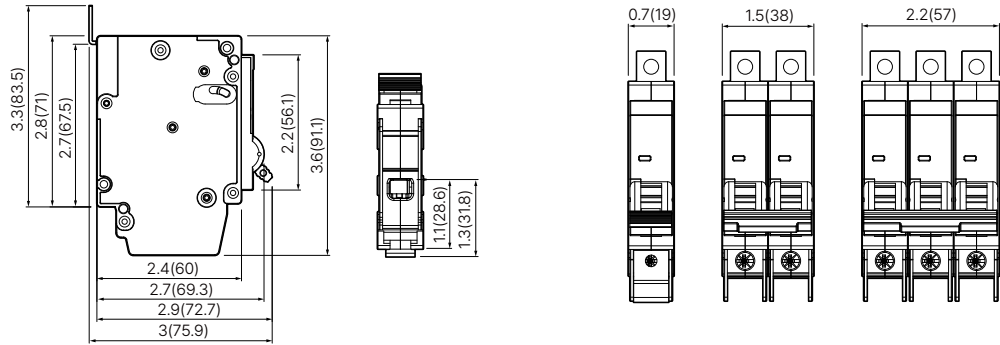
Type	Ue(V)	Breaking Capacity	In(A)	L1 (3/4-inch)			L2 (1-inch)										
				Ordering Number(USA)		Weight (g)	Packing (pcs.)	Ordering Number(USA)		Weight (g)	Packing (pcs.)						
				C-Curve	D-Curve			C-Curve	D-Curve								
1P	120/240VAC, 277VAC, 65VDC	10kA (120V/240VAC), 14kA(277VAC), 10kA(65VDC)	1A	7034000163	7034002263	115	12	7034012763	7034014863	120	9						
			2A	7034000263	7034002363			7034012863	7034014963								
			3A	7034000363	7034002463			7034012963	7034015063								
			4A	7034000463	7034002563			7034013063	7034015163								
			5A	7034000563	7034002663			7034013163	7034015263								
			6A	7034000663	7034002763			7034013263	7034015363								
			7A	7034000763	7034002863			7034013363	7034015463								
			8A	7034000863	7034002963			7034013463	7034015563								
			10A	7034000963	7034003063			7034013563	7034015663								
			13A	7034001063	7034003163			7034013663	7034015763								
			15A	7034001163	7034003263			7034013763	7034015863								
			16A	7034001263	7034003363			7034013863	7034015963								
			20A	7034001363	7034003463			7034013963	7034016063								
			25A	7034001463	7034003563			7034014063	7034016163								
			30A	7034001563	7034003663			7034014163	7034016263								
		32A	7034001663	7034003763	7034014263			7034016363									
		35A	7034001763	7034003863	7034014363			7034016463									
		40A	7034001863	7034003963	7034014463			7034016563									
		50A	7034001963	7034004063	7034014563			7034016663									
		60A	7034002063	7034004163	7034014663			7034016763									
		63A	7034002163	7034004263	7034014763			7034016863									
		2P	240VAC, 480Y/277VAC, 125VDC	10kA(240VAC), 14kA (480Y/277VAC), 10kA(125VDC)	1A			7034004363	7034006463			230	6	7034016963	7034019063	240	4
					2A			7034004463	7034006563					7034017063	7034019163		
					3A			7034004563	7034006663					7034017163	7034019263		
					4A			7034004663	7034006763					7034017263	7034019363		
					5A			7034004763	7034006863					7034017363	7034019463		
					6A			7034004863	7034006963					7034017463	7034019563		
					7A			7034004963	7034007063					7034017563	7034019663		
					8A			7034005063	7034007163					7034017663	7034019763		
					10A			7034005163	7034007263					7034017763	7034019863		
					13A			7034005263	7034007363					7034017863	7034019963		
					15A			7034005363	7034007463					7034017963	7034020063		
					16A			7034005463	7034007563					7034018063	7034020163		
					20A			7034005563	7034007663					7034018163	7034020263		
					25A			7034005663	7034007763					7034018263	7034020363		
30A	7034005763				7034007863	7034018363	7034020463										
32A	7034005863			7034007963	7034018463	7034020563											
35A	7034005963			7034008063	7034018563	7034020663											
40A	7034006063			7034008163	7034018663	7034020763											
50A	7034006163			7034008263	7034018763	7034020863											
60A	7034006263			7034008363	7034018863	7034020963											
63A	7034006363			7034008463	7034018963	7034021063											
3P	240VAC, 480Y/277VAC, 125VDC			10kA(240VAC), 14kA (480Y/277VAC), 10kA(125VDC)	1A	7034008563	7034010663	345	4	7034021163	7034023263			360	3		
					2A	7034008663	7034010763			7034021263	7034023363						
					3A	7034008763	7034010863			7034021363	7034023463						
					4A	7034008863	7034010963			7034021463	7034023563						
					5A	7034008963	7034011063			7034021563	7034023663						
					6A	7034009063	7034011163			7034021663	7034023763						
					7A	7034009163	7034011263			7034021763	7034023863						
					8A	7034009263	7034011363			7034021863	7034023963						
					10A	7034009363	7034011463			7034021963	7034024063						
					13A	7034009463	7034011563			7034022063	7034024163						
					15A	7034009563	7034011663			7034022163	7034024263						
					16A	7034009663	7034011763			7034022263	7034024363						
					20A	7034009763	7034011863			7034022363	7034024463						
					25A	7034009863	7034011963			7034022463	7034024563						
		30A	7034009963		7034012063	7034022563	7034024663										
		32A	7034010063	7034012163	7034022663	7034024763											
		35A	7034010163	7034012263	7034022763	7034024863											
		40A	7034010263	7034012363	7034022863	7034024963											
		50A	7034010363	7034012463	7034022963	7034025063											
		60A	7034010463	7034012563	7034023063	7034025163											
		63A	7034010563	7034012663	7034023163	7034025263											
		10kA(240VAC), 10kA(125VDC)	1A	7034010663	7034012763	7034023263	7034025363										
			2A	7034010763	7034012863	7034023363	7034025463										
			3A	7034010863	7034012963	7034023463	7034025563										
			4A	7034010963	7034013063	7034023563	7034025663										
			5A	7034011063	7034013163	7034023663	7034025763										
			6A	7034011163	7034013263	7034023763	7034025863										
			7A	7034011263	7034013363	7034023863	7034025963										
			8A	7034011363	7034013463	7034023963	7034026063										
			10A	7034011463	7034013563	7034024063	7034026163										
			13A	7034011563	7034013663	7034024163	7034026263										
			15A	7034011663	7034013763	7034024263	7034026363										
			16A	7034011763	7034013863	7034024363	7034026463										
			20A	7034011863	7034013963	7034024463	7034026563										
			25A	7034011963	7034014063	7034024563	7034026663										

# Dimensions

## LA63UB (Bolt-on MCB)

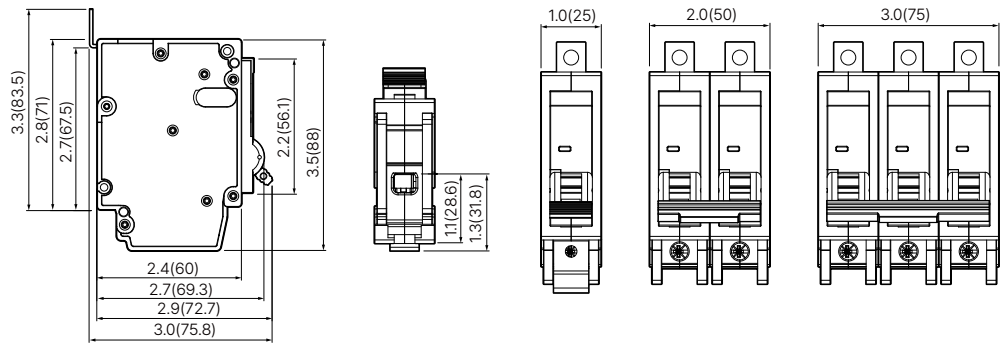
### LA63UB L1 (3/4-inch)

[ inch (mm) ]



### LA63UB L2 (1-inch)

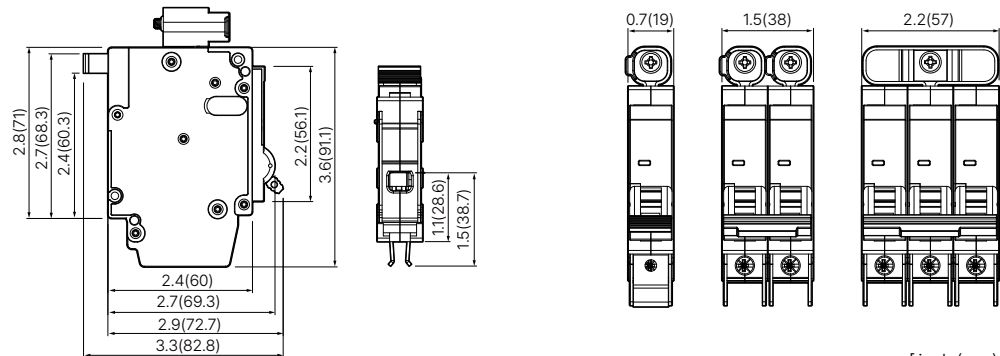
[ inch (mm) ]



## LA63UP (Plug-on MCB)

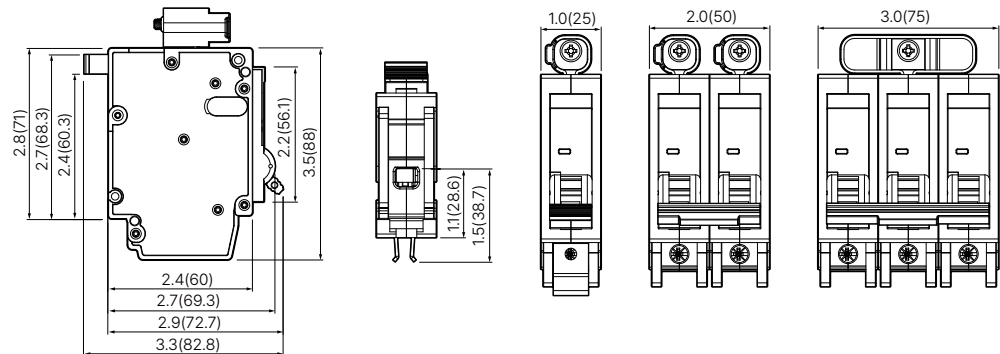
### LA63UP L1 (3/4-inch)

[ inch (mm) ]



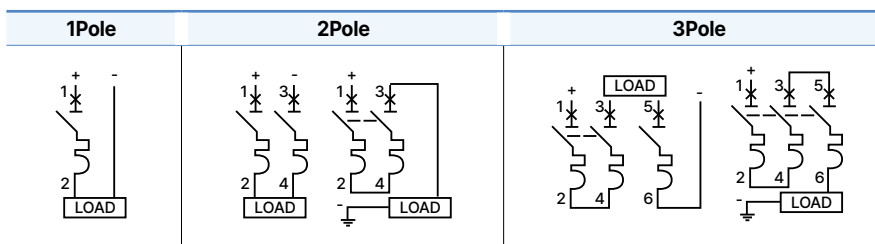
### LA63UP L2 (1-inch)

[ inch (mm) ]



# Technical Data

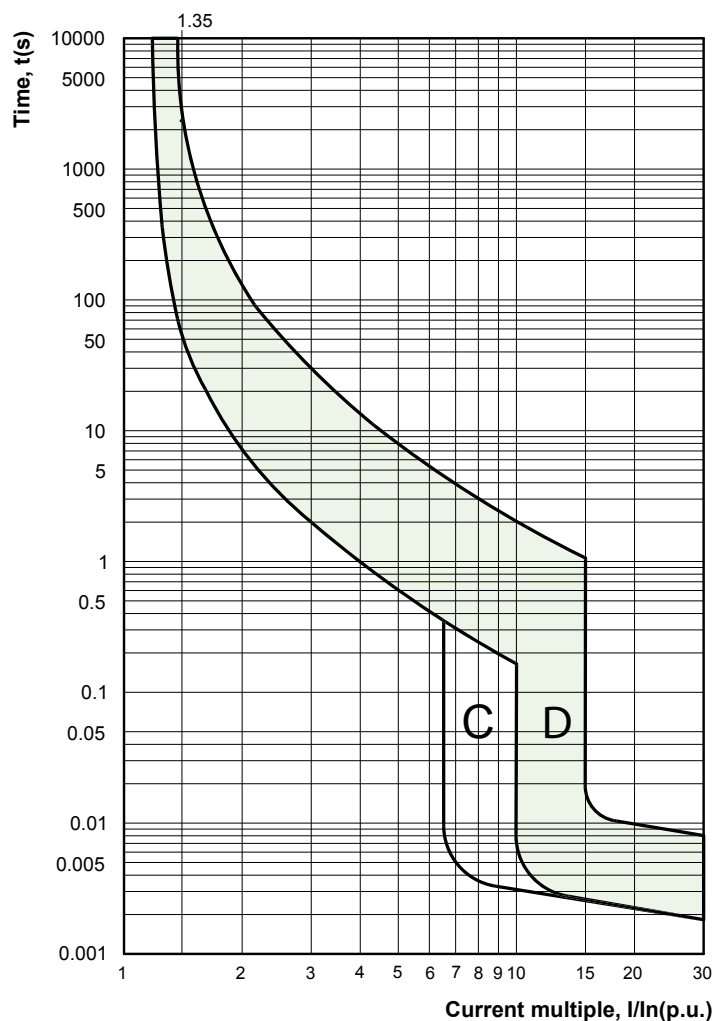
## Connection diagram



## Wire sizes

Ampere	Wire Size (AWG)
1-15A	14-12AWG
16-20A	12-10AWG
21-30A	10-8AWG
31-40A	8-6AWG
50-60A	6-4AWG
63A	4AWG

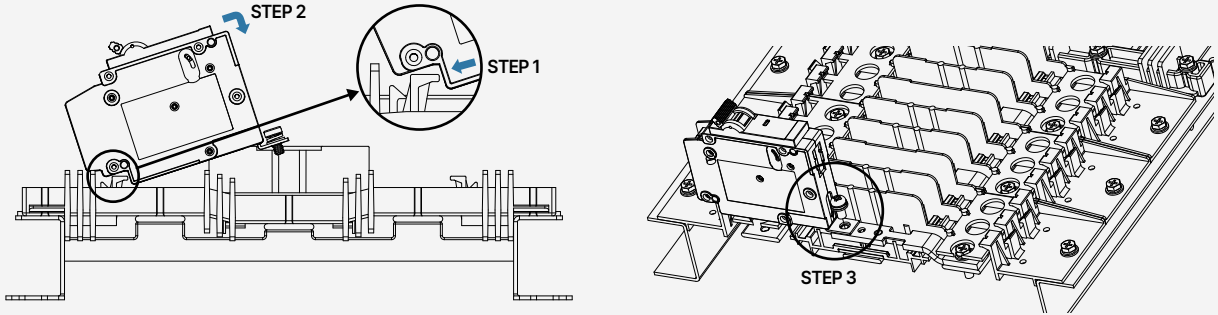
## Tripping curves



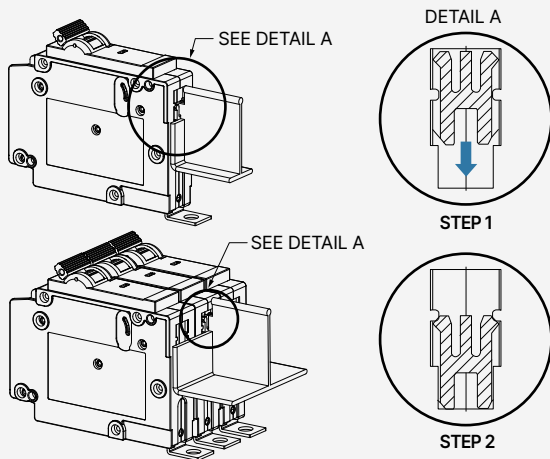
# Installation Manual

## LA63UB (Bolt-on MCB)

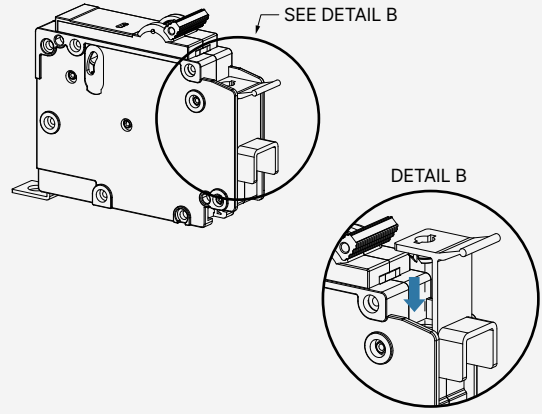
[ Figure 1 ]



[ Figure 2 ]



[ Figure 3 ]



### Bolt-on MCB Installation: Refer to Figure 1-3.

- a) Turn the circuit breaker off.
- b) Insert the slot located below the secondary terminal of the circuit breaker onto the mounting rail to secure it.  
Align the circuit breaker bolt-on connector hole with the branch bus mounting hole. Insert the screw provided with the MCB through the branch connector hole and tighten to the torque value specified in Table 1. Refer to Figure 1.
- c) Install the load wire and tighten it to the torque value specified in Table 1.
- d) Install the branch CB Load fin onto the MCB. Refer to Figure 2.
- e) Install the Gap Cover onto the MCB. Refer to Figure 3.

[ Table 1 ]

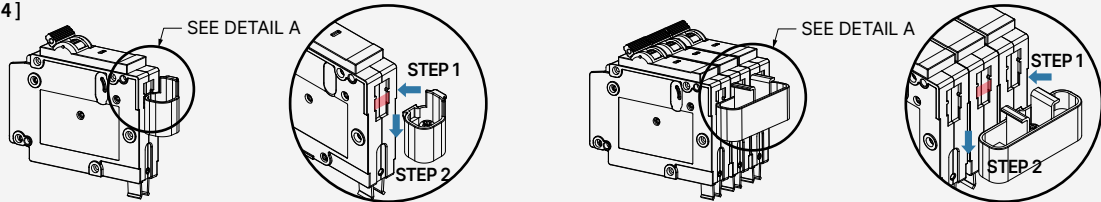
No.	Connection	Thread Size	Tool Size	Torque	
				lb-in	N-m
①	Bolt-on MCB ↔ Branch Bus	BOLT, #10-24 UNC	(+) Driver	30.4	3.4
No.	Category	Allowable cable size [AWG or MCM (Kcmil)]		Torque	
				lb-in	N-m
②	MCB 2nd side cable connection	14-4	14-4	35	3.9

\*mounting screws for Bolt-on type MCBs are supplied as standard accessories.

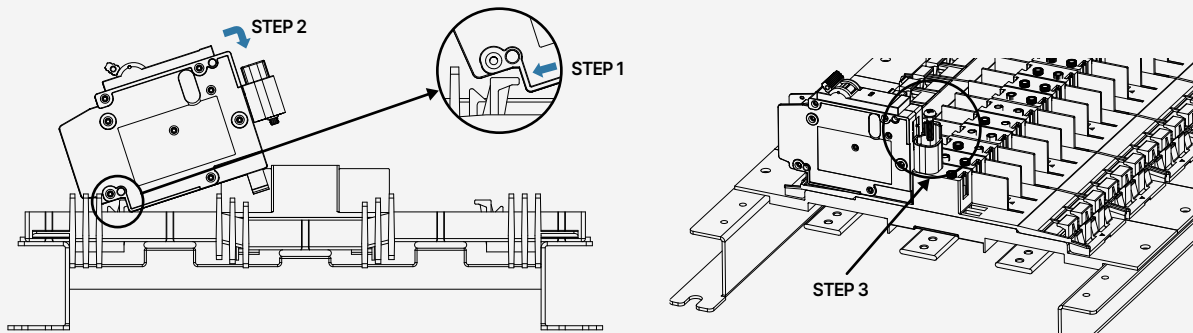
**⚠ DANGER** Before installing the panelboard, ensure that all power supplying the panelboard is turned off.

## LA63UP (Plug-on MCB)

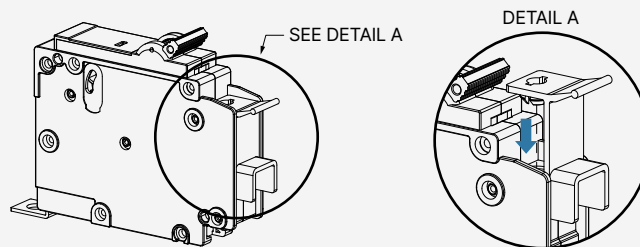
[ Figure 4 ]



[ Figure 5 ]



[ Figure 6 ]



### Plug-on MCB Installation: Refer to Figure 4-6.

- a) Turn the circuit breaker off.
- b) For plug-on type MCBs, install the non-energized bolting cover on the MCB before assembling it to the interior. Refer to Figure 4. Tighten the non-energized bolting cover to the torque value specified in Table 2.
- c) Insert the slot located below the secondary terminal of the circuit breaker onto the mounting rail to secure it. Push inward until the plug-on connector fully engages the branch bus. Refer to Figure 5.
- d) Install the load wire and tighten it to the torque value specified in Table 2.
- e) Install the branch CB Load Fin onto the MCB. Refer to Figure 6.

[ Table 2 ]

No.	Connection	Thread Size	Tool Size	Torque	
				lb-in	N-m
①	Non-energized bolting cover	BOLT, #8-32 UNC	1/4" Nut, (+) Driver	21.7	2.4
No.	Category	Allowable cable size [AWG or MCM (Kcmil)]		Torque	
				lb-in	N-m
②	MCB 2nd side cable connection	14-4	14-4	35	3.9

\*The non-energized bolting cover for Plug-on type MCBs are supplied as standard accessories.

**⚠ DANGER** Before installing the panelboard, ensure that all power supplying the panelboard is turned off.



## Headquarter

127 LS-ro (Hogye-dong) Dongan-gu, Anyang-si, Gyeonggi-Do, 14119, Korea

## Seoul Office

LS Yongsan Tower, 92, Hangang-daero, Yongsan-gu, Seoul, 04386, Korea  
TEL: 82-2-2034-4916, 4684, 4429

## China

LS ELECTRIC (Dalian) Co., Ltd.  
+86-411-8730-5872  
china.dalian@lselectric.com.cn

LS ELECTRIC (Wuxi) Co., Ltd.  
+86-510-6851-6666  
china.wuxi@lselectric.com.cn

LS ELECTRIC (Lishui) Co., Ltd.  
+86-578-6866-780  
china.lishui@lselectric.com.cn

## Shanghai Office

+86-21-5237-9977  
china@lselectric.com.cn

## Beijing Office

+86-10-5095-1631  
china@lselectric.com.cn

## Guangzhou Office

+86-20-3818-2883  
china@lselectric.com.cn

## Qingdao Office

+86-532-8501-2065  
china@lselectric.com.cn

## Chengdu Office

+86-28-8670-3201  
china@lselectric.com.cn

## Nanjing Office

+86-25-84 67-0005  
china@lselectric.com.cn

## India

India Office  
+91-80-6142-9108  
Info\_india@ls-electric.com

## Indonesia

PT. LS ELECTRIC INDONESIA  
+62-21-2933-7614  
indonesia@ls-electric.com

## Italy

Italy office  
+39-030-8081-833  
italia@ls-electric.com

## Japan

LS ELECTRIC Japan Co., Ltd.  
+81-3-6268-8241  
japan@ls-electric.com

## Tokyo Office

+81-3-6268-8241  
tokyo@ls-electric.com

## Netherlands

LS ELECTRIC Europe B.V.  
+31-20-654-1424  
europartner@ls-electric.com

## Russia

Moscow Office  
+7-499-682-6130  
info@lselectric-ru.com

## Singapore

Singapore Office  
+65-6958-8162  
singapore@ls-electric.com

## Spain

LS ELECTRIC IBERIA S.L.U.  
+34-910-28-02-74  
iberia@ls-electric.com

## Thailand

Bangkok Office  
+66-2-128-0295  
thailand@ls-electric.com

## Türkiye

LS ELECTRIC Türkiye Co., Ltd.  
+90-212-806-1252  
turkiye@ls-electric.com

## U.A.E

LS ELECTRIC Middle East FZE (Dubai)  
+971-4-886-5360  
middleeast@ls-electric.com

## USA

LS ELECTRIC America Inc.  
+1-800-891-2941  
sales.us@lselectricamerica.com

LS ENERGY SOLUTIONS LLC  
+1-980-221-0654  
info@ls-es.com

MCM Engineering II  
+1-435-865-0125  
sales.us@lselectricamerica.com

## America Western Office

+1-949-333-3140  
america@ls-electric.com

## America Bastrop Campus

+1-800-891-2941 EXT 2  
power\_support.us@lselectricamerica.com

## Vietnam

LS ELECTRIC Vietnam Co., Ltd.  
+84-222-2221-110  
vietnam@ls-electric.com

## Hanoi Office

+84-24-6275-8054  
vietnam@ls-electric.com

## Ho Chi Minh Office

+84-3823-7890  
vietnam@ls-electric.com

Specifications in this catalog are subject to change without notice due to continuous product development and improvement

© 2026. 04 LS ELECTRIC Co., Ltd. All rights reserved. / English (01) 2026. 04 HumanPower

[www.ls-electric.com](http://www.ls-electric.com)

Distributed by Gross Automation | +1 (262) 252-1600 | [sales@grossautomation.com](mailto:sales@grossautomation.com)