



Beyond

™

**Miniature
Circuit Breakers**

BK63HU / BK63H



LS ELECTRIC

Miniature Circuit Breakers

BK63HU UL489 MCB

- Pole : 1P, 2P, 3P
- Rated current : 1~63A
- Curve : B, C, D, K
- Rated short current : 10kA
- Accessory : AX, AL, SHT, UVT



BK63HU 1P



BK63HU 2P



BK63HU 3P

Ratings

Performance	UL489 MCB	
Standard	UL489, UL486E(Lug)	
Protection	Overload, short circuit	
Rated current	1, 2, 3, 4, 5, 6, 8, 10, 15, 16, 20, 25, 30, 32, 40, 50, 63A	
Number of poles	1P, 2P, 3P	
Rated short circuit capacity	AC	DC
	1P : 10kA@120/240VAC, 10kA@277VAC (1~25A) 10kA@120/240VAC(30~63A) 2P, 3P : 10kA@240VAC, 480Y/277VAC(1~25A) 10kA@240VAC(30~63A)	1P : 10kA@60VDC 2P, 3P : 10kA@125VDC
Rated frequency	50/60 Hz	
Reference temperature	40°C	
Normal ambient temperature	-25 ~ 55°C	
Tripping curve	B, C, D, K curve	
Trip type	Thermal magnetic	
Type of terminals	Terminal with stirrup (Indirect pressure)	
Terminal size acceptability-min/max	1 Wire: 14~4AWG 2~4Wires: 14~10AWG (Wires must be same size and strand)	
Tightening torque	3.9 Nm (35 lbf-in)	
Installation	35mm DIN rail mount	
Dimensions (W×H×D)	18 × 105 × 66 (1P)	
Protection	IP20	
Accessory	AX-HU, AL-HU, SHT-HU, UVT-HU	
Relative humidity	45~85%RH	
Electrical endurance	6,000	
Maximum switching frequency (Time/h)	360/h	
Approvals	UL, CB	

BK63H UL1077 MCB

Miniature Circuit Breakers

- Pole : 1P, 2P, 3P, 4P
- Rated current : 1~63A
- Curve : B, C, D
- Rated short current : 10kA
- Accessory : AX, AL, SHT, UVT



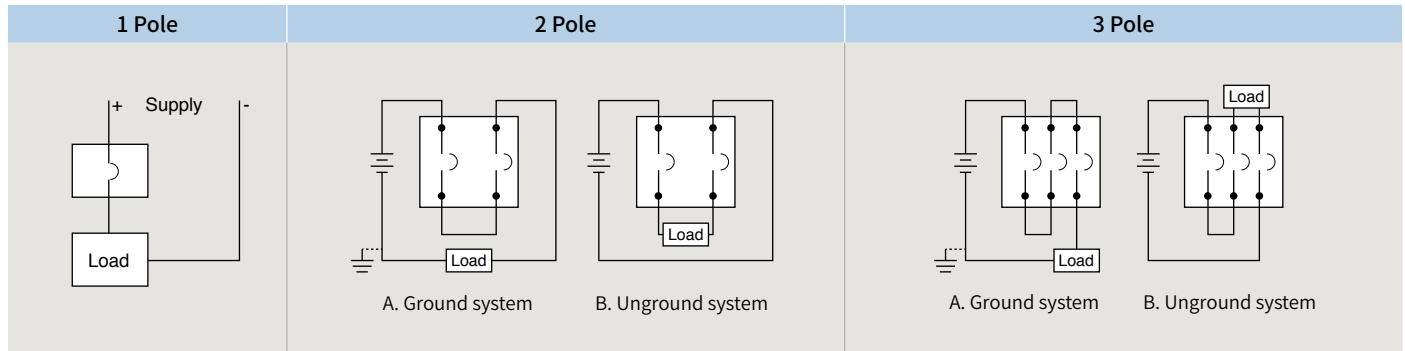
Ratings

Performance	UL1077 MCB	
Standard	UL 1077	
Protection	Overload, short circuit	
Rated current	1, 2, 3, 4, 5, 6, 8, 10, 15, 16, 20, 25, 30, 32, 40, 50, 63A	
Number of poles	1P, 2P, 3P, 4P	
Rated short circuit capacity	AC	DC
	1P : 10kA@120/240VAC 6kA@277VAC 2P~4P : 10kA@120/240VAC 6kA@480Y/277VAC	1P : 10kA@60VDC 2P~4P : 10kA@125VDC
Rated frequency	50/60 Hz	
Reference temperature	40°C	
Normal ambient temperature	-25 ~ 55°C	
Tripping curve	B, C, D curve	
Trip type	Thermal magnetic	
Type of terminals	Terminal with stirrup (Indirect pressure)	
Terminal size acceptability-min/max	1 Wire: 14~4AWG	
	2~4Wires: 14~10AWG (Wires must be same size and strand)	
Tightening torque	2Nm (17.5 lbf-in)	
Installation	35mm DIN rail mount	
Dimensions (W×H×D)	18×81×66 (1P)	
Protection	IP20	
Accessory	AX-H, AL-H, SHT-H, UVT-H	
Relative humidity	45~85%RH	
Electrical endurance	6,000	
Maximum switching frequency (Time/h)	360/h	
Approvals	UL, CB, ABS	

Miniature Circuit Breakers

Accessory / Circuit diagrams (BK63HU)

DC circuit diagrams (BK63HU)



UL489 accessory

Type	AX-H	AL-H
Appearance		
Rating	AC circuit 6A at 240VAC 3A at 415VAC DC circuit 1A at 110VDC 2A at 48VDC	
Contact		
Dimensions(W×H×D)	9 × 105 × 66	

Type	SHT-HU	UVT-HU
Appearance		
Control voltage [Ue]	AC 110~380V DC 60~220V	AC 110~120V AC 220~240V AC 380~415V
Operating voltage	80~110% Ue	-
Trip voltage	-	35~70% Ue
Dimensions(W×H×D)	18 × 105 × 66	

UL1077 accessory

Type	AX-H	AL-H
Appearance		
Rating	AC circuit 6A at 240VAC 3A at 415VAC DC circuit 1A at 110VDC	
Contact		
Dimensions(W×H×D)	9 × 81 × 66	

Type	SHT-H	UVT-H
Appearance		
Control voltage [Ue]	AC 110~380V DC 60~220V	AC 110~120V AC 220~240V AC 380~415V
Operating voltage	80~110% Ue	-
Trip voltage	-	35~70% Ue
Dimensions(W×H×D)	18 × 81 × 66	

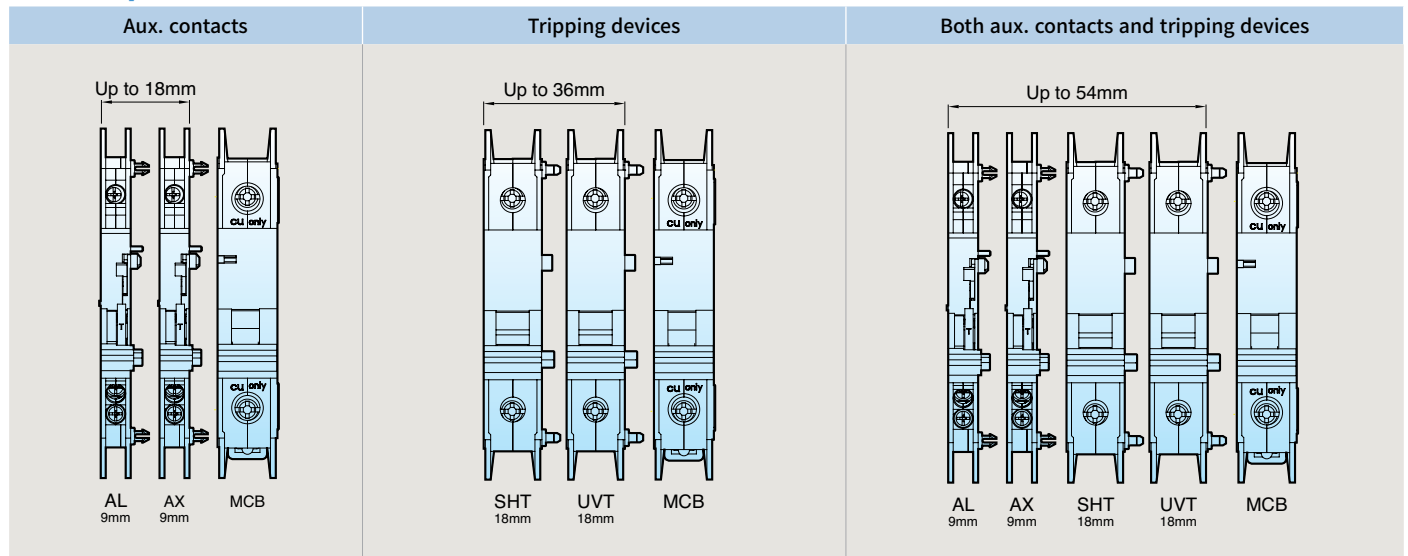
Model description/Accessory connection

UL 489/1077 MCB

BK	63H	U	1P	B	63A	10kA	240VAC	UL489
Series	AF	Standard	Pole	Type	A	kA	Rated voltage	Standard
MCB	63	U UL489 UL1077	1P 2P 3P 4P	B-Type C-Type D-Type K-Type	1, 2, 3, 4, 5, 6, 8, 10, 15, 16, 20, ,25, 30, 32, 40, 50, 63	6 10	120/240VAC 240VAC 277VAC 480Y/277VAC	UL489 UL1077

AX	H	UL1077
Accessory	Applicable product	Applied standard
AX Auxiliary switch	H (UL1077) BK63H	UL1077 UL1077
AL Alarm switch	HU (UL489) BK63HU	UL489 UL489
SHUT Shunt trip device		
UVT Under voltage trip device		

Accessory connection



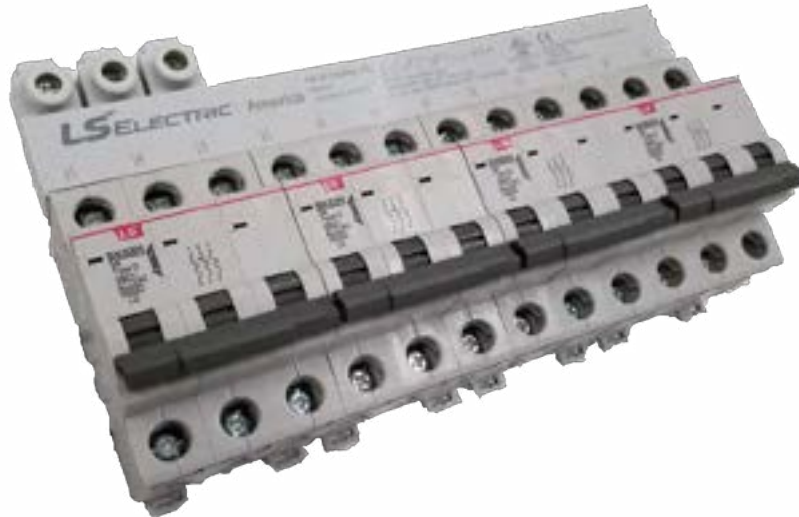
Accessory / Bus Bars (BK63H)

Busbars are used for easily connecting upstream power into multiple circuit breakers.

See below parts for connection of BK63H (UL1077) MCBs.

The busbars can be individually cut to a specific length for the application and isolated with end caps.

Three busbar models are available for use with auxiliary contact modules with a width of 9 mm.



Ordering

Item code	Part number	Description
0692000163	PB-1P12M80A-HC	Cutttable Busbar, 1Pole, 12Pin, 18mm pitch, 80A, for UL1077 MCB
0692000263	PB-1P57M80A-HC	Cutttable Busbar, 1Pole, 57Pin, 18mm pitch, 80A, for UL1077 MCB
0692000363	PB-2P12M80A-HC	Cutttable Busbar, 2Pole, 12Pin, 18mm pitch, 80A, for UL1077 MCB
0692000463	PB-2P56M80A-HC	Cutttable Busbar, 2Pole, 56Pin, 18mm pitch, 80A, for UL1077 MCB
0692000563	PB-3P12M80A-HC	Cutttable Busbar, 3Pole, 12Pin, 18mm pitch, 80A, for UL1077 MCB
0692000663	PB-3P57M80A-HC	Cutttable Busbar, 3Pole, 57Pin, 18mm pitch, 80A, for UL1077 MCB
0693000163	TFT-1P115A-HC	Top Feed Terminal for 1Pole Busbar, 115A, for UL1077 MCB
0693001063	TFT-3P115A-HC	Top Feed Terminal for 2-3 Pole Busbar, 115A, for UL1077 MCB
0693000363	BFT-1P115A-HC	Bottom Feed Terminal, 115A, for UL1077 MCB
0693000563	EC-1P-HC	End Cap for Single Phase Busbars (2pk), for UL1077 MCB
0693000663	EC-3P-HC	End Cap for 2-3P Busbars, for UL1077 MCB
0693000863	SC-5M-HCY	Protection Cap, 5Pin, Yellow, for UL1077 MCB



1P Top Feed Terminal



2/3P Top Feed Terminal



Bottom/Direct Feeder Terminal

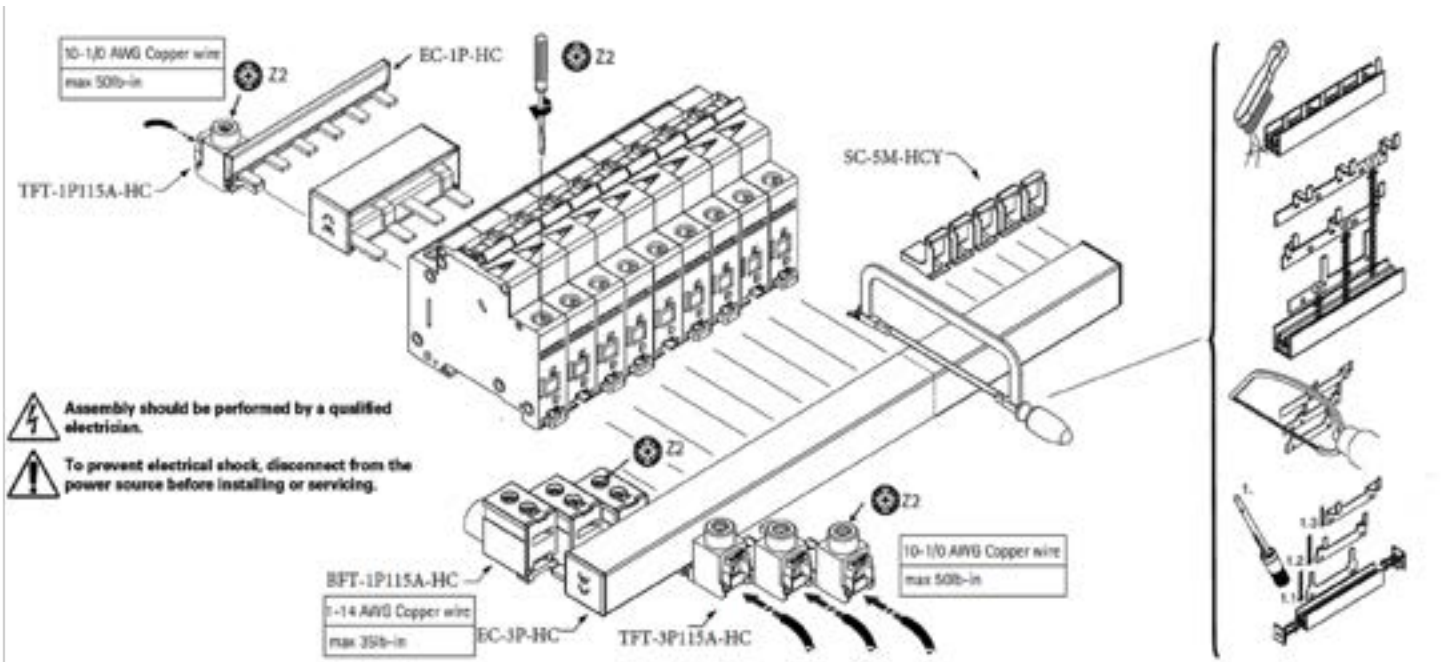


Endcap



Protective Cap

Assembly



Technical Specifications

	UL1077 TFT-3P115A-HC TFT-1P115A-HC	EN/IEC 60947-2
U_c	1000 V AC/DC	
U_{imp}	9.5 kV	
I_c	115 A	
	#10-1/0 AWG 60°C Cu	2.5-35mm ² Cu
	0.56 in	14mm

	UL1077 BFT-1P115A-HC	EN/IEC 60947-2
U_c	1000V AC/DC	
U_{imp}	9.5 kV	
I_c	115 A	160 A
	#1-14 AWG 75°C Cu	2.5-50mm ² Cu
	0.56 in	14mm

	UL1077	EN/IEC 60947-2
U_c	1P 600 V AC 1000 V DC 2/3P 600 V AC/DC	
U_{imp}	9.5 kV	
I_c	Cross section	
	18mm ²	25mm ²
inlet at the start of the busbar	80 A	100 A
inlet at the center of the busbar	160 A	200 A

Dimensions

Scan or click the QRcode for dimensional drawings.

LS ELECTRIC | America



Accessory / Bus Bars (BK63HU)

Busbars are used for easily connecting upstream power into multiple circuit breakers.

See below parts for connection of BK63HU (UL489) MCBs.

The busbars can be individually cut to a specific length for the application and isolated with end caps.

Three busbar models are available for use with auxiliary contact modules with a width of 9 mm.



Ordering

Item code	Part number	Description
0692000763	PB-1P12M80A-HUC	UL489, 1pole Cuttable Busbar, 12pins, 18mm pitch, 80A, for UL489 MCB
0692000863	PB-1P18M80A-HUC	UL489, 1pole Cuttable Busbar, 18pins, 18mm pitch, 80A, for UL489 MCB
0692000963	PB-1P57M80A-HUC	UL489, 1pole Cuttable Busbar, 57pins, 18mm pitch, 80A, for UL489 MCB
0692001063	PB-2P12M80A-HUC	UL489, 2pole Cuttable Busbar, 12pins, 18mm pitch, 80A, for UL489 MCB
0692001163	PB-2P18M80A-HUC	UL489, 2pole Cuttable Busbar, 18pins, 18mm pitch, 80A, for UL489 MCB
0692001263	PB-2P56M80A-HUC	UL489, 2pole Cuttable Busbar, 56pins, 18mm pitch, 80A, for UL489 MCB
0692001363	PB-3P12M80A-HUC	UL489, 3pole Cuttable Busbar, 12pins, 18mm pitch, 80A, for UL489 MCB
0692001463	PB-3P18M80A-HUC	UL489, 3pole Cuttable Busbar, 18pins, 18mm pitch, 80A, for UL489 MCB
0692001563	PB-3P57M80A-HUC	UL489, 3pole Cuttable Busbar, 57pins, 18mm pitch, 80A, for UL489 MCB
0693000263	TFT-1P115A-HUC	Input terminal 35mm ² , UL489 0,035kg
0693000463	BFT-1P115A-HUC	Center Feed Terminal, 50mm ² , for UL489 MCB
0693000763	EC-AP-HUC	Endcap, suitable for UL489
0693000963	SC-3M-HUCY	Yellow Protective Caps for UL489



Feeder Terminal



Bottom/Direct Feeder Terminal

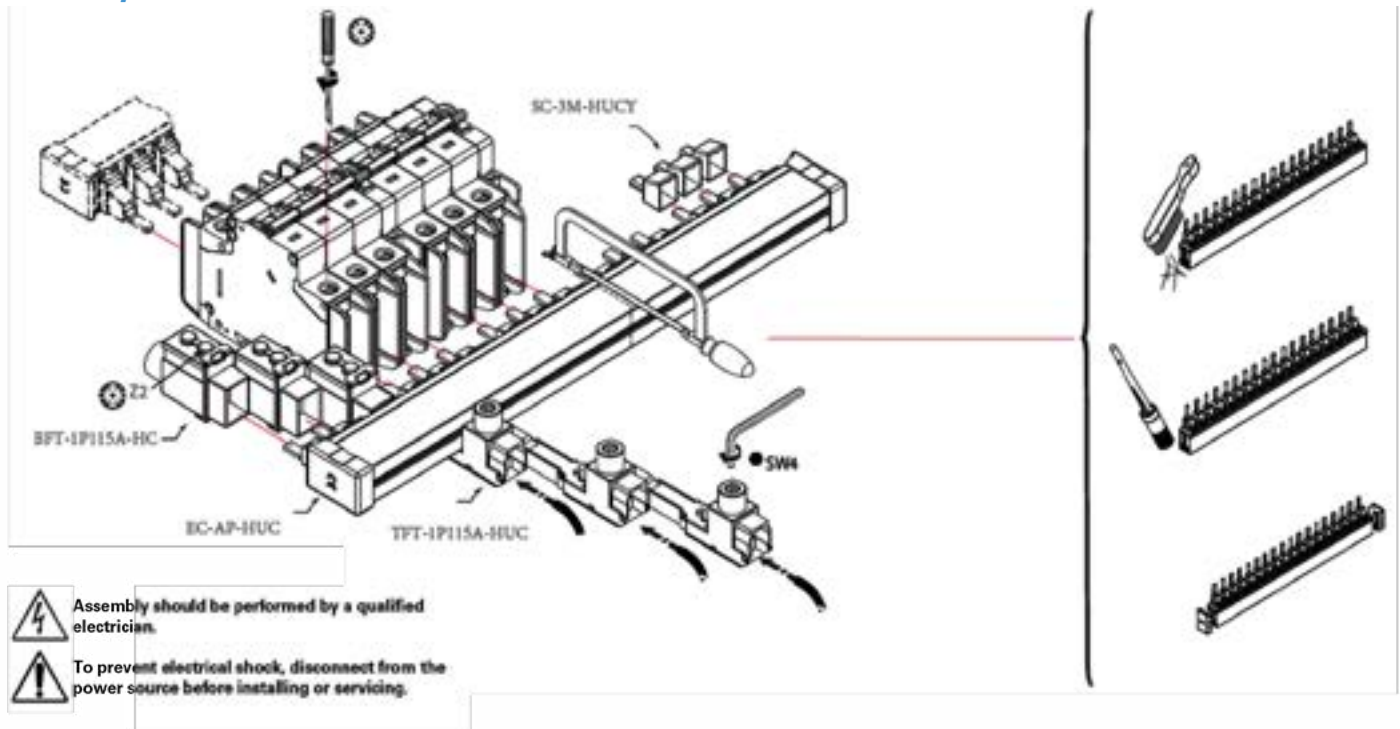


Endcap



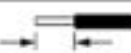




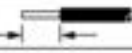
Protective Cap


Assembly



Technical Specifications

TFT-1P115A-HUC		
	UL TFT-1P115A-HUC	EN/IEC 60947-2
U_c	1000V AC/DC	
U_{imp}	9,5 kV	
I_c	115A	160A
	#14-2 AWG 60/75°C Cu	2.5-35mm ² Cu
	0.56 in	14mm

BFT-1P115A-HC		
	UL 508 802-ESB50UL489	EN/IEC 60947-2
U_c	1000V AC/DC	
U_{imp}	9,5 kV	
I_c	115A	160A
	#14-1 AWG 60/75°C Cu	1.5-35mm ² Cu
	0.56 in	14mm

PB-*P**M80A-HUC		
	UL	EN/IEC 60947-2
U_c	1P 1000V AC/DC	2/3P 600V AC/DC
U_{imp}	9,5 kV	
I_c	Cross section	
	18 mm ²	
Infeed at the edge of the busbar	80 A	
Infeed at the center of the busbar	160 A	

Dimensions

Scan or click the QR code for dimensional drawings.

LSELECTRIC | America

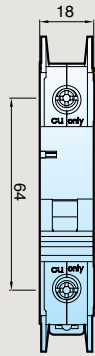
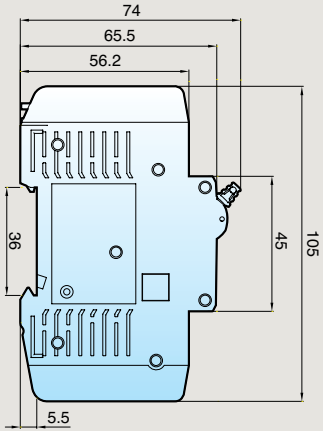


Miniature Circuit Breakers

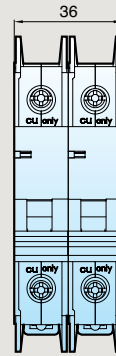
Dimensions/Operating curve

UL489 MCB

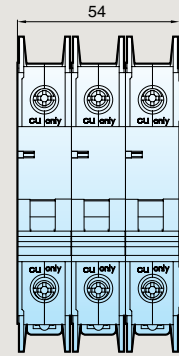
BK63HU



1P : 130g

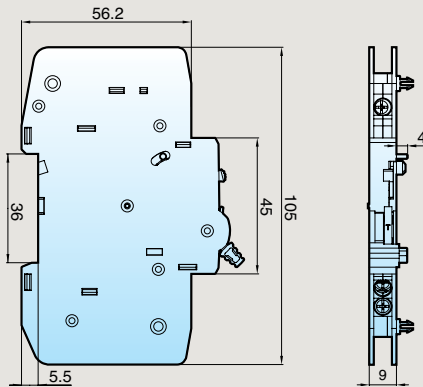


2P : 260g

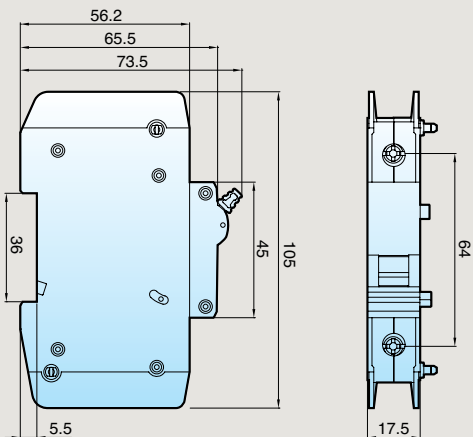


3P : 390g

AX-HU/AL-HU



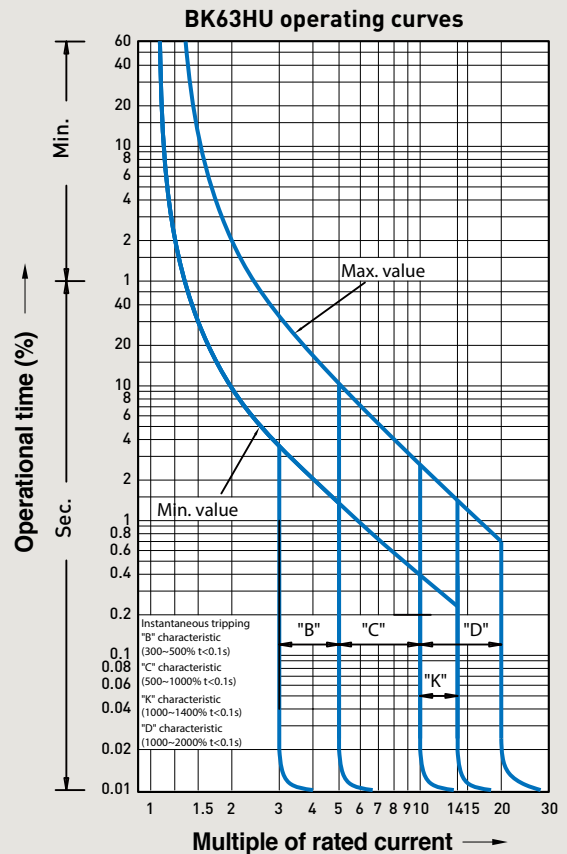
SHT-HU/UVT-HU



SHT : 100g / UVT : 110g

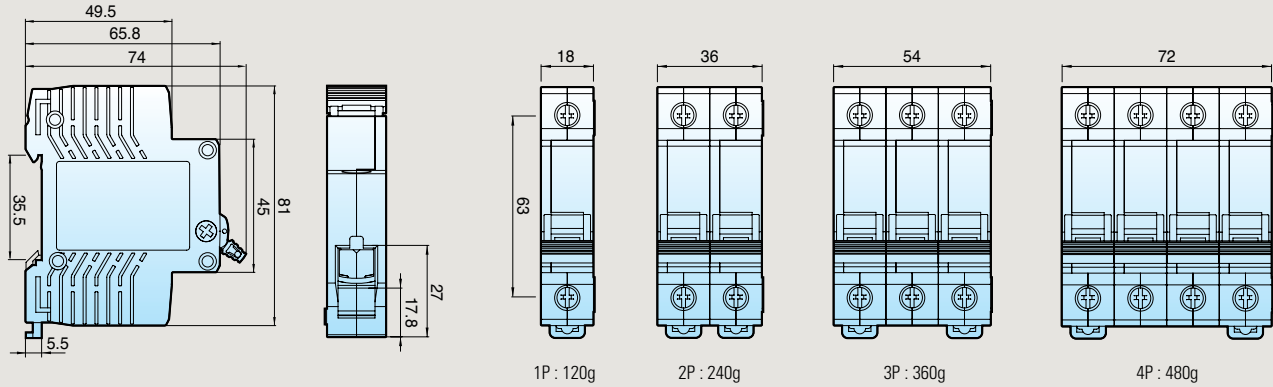
AX : 48g / AL : 48g

UL489 MCB operating curve

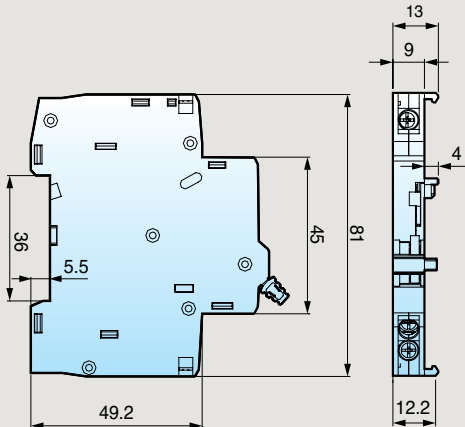


UL1077 MCB

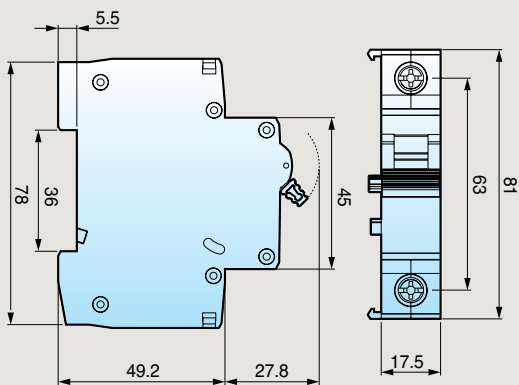
BK63H



AX-H/AL-H



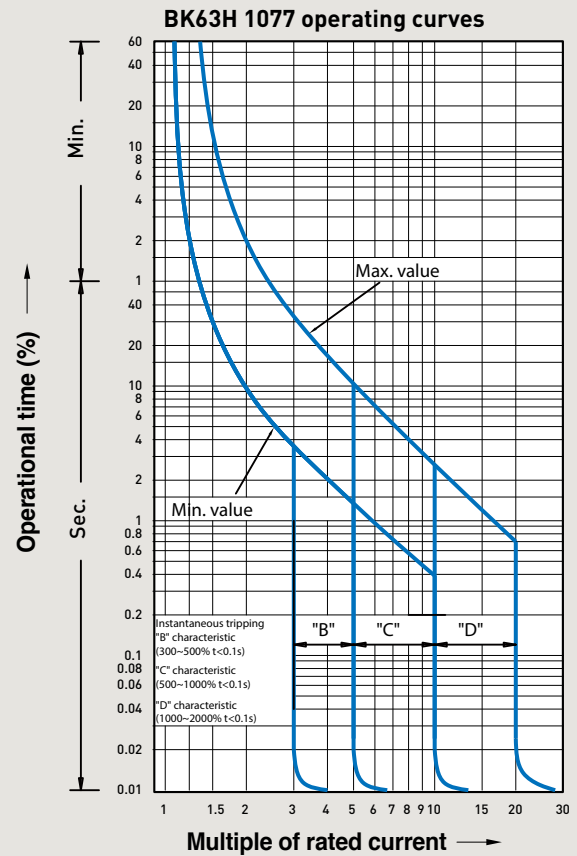
SHT-H/UVT-H



SHT : 100g / UVT : 110g

AX : 48g / AL : 48g

UL1077 MCB operating curve



Accessory (Locking device)

Code	Name	Notes
06410096	Locking device	1set (12ea)



Type	UVT-H
<p>* Press button and insert into the handle</p>	<p>• Lock: Ø7.0 • Weight: Not less than 120g • 10 kg maximum pulling force</p>



www.ls-electric.com

Headquarter

127 LS-ro (Hogye-dong) Dongan-gu, Anyang-si, Gyeonggi-Do, 14119, Korea

Seoul Office

LS Yongsan Tower, 92, Hangang-daero, Yongsan-gu, Seoul, 04386, Korea
TEL: 82-2-2034-4916, 4684, 4429

China

LS ELECTRIC (Dalian) Co., Ltd.
+86-411-8730-5872
china.dalian@lselectric.com.cn

LS ELECTRIC (Wuxi) Co., Ltd.
+86-510-6851-6666
china.wuxi@lselectric.com.cn

LS ELECTRIC (Lishui) Co., Ltd.
+86-578-6866-780
china.lishui@lselectric.com.cn

Shanghai Office
+86-21-5237-9977
china@lselectric.com.cn

Beijing Office
+86-10-5095-1631
china@lselectric.com.cn

Guangzhou Office
+86-20-3818-2883
china@lselectric.com.cn

Qingdao Office
+86-532-8501-2065
china@lselectric.com.cn

Chengdu Office
+86-28-8670-3201
china@lselectric.com.cn

Nanjing Office
+86-25-84 67-0005
china@lselectric.com.cn

India

India Office
+91-80-6142-9108
Info_india@ls-electric.com

Indonesia
PT. LS ELECTRIC INDONESIA
+62-21-2933-7614
indonesia@ls-electric.com

PT SYMPHOS ELECTRIC
+62-81-1900-1474
marketing@symphos-weltraf.com

Italy

Italy office
+39-030-8081-833
italia@ls-electric.com

Japan

LS ELECTRIC Japan Co., Ltd.
+81-3-6268-8241
japan@ls-electric.com

Tokyo Office
+81-3-6268-8241
tokyo@ls-electric.com

Netherlands

LS ELECTRIC Europe B.V.
+31-20-654-1424
europartner@ls-electric.com

Russia

Moscow Office
+7-499-682-6130
info@lselectric-ru.com

Singapore

Singapore Office
+65-6958-8162
singapore@ls-electric.com

Spain

LS ELECTRIC IBERIA S.L.U.
+34-910-28-02-74
iberia@ls-electric.com

Thailand

Bangkok Office
+66-2-128-0295
thailand@ls-electric.com

Türkiye

LS ELECTRIC Türkiye Co., Ltd.
+90-212-806-1252
turkiye@ls-electric.com

U.A.E

LS ELECTRIC Middle East FZE (Dubai)
+971-4-886-5360
middleeast@ls-electric.com

USA

LS ELECTRIC America Inc.
+1-800-891-2941
sales.us@lselectricamerica.com

LS ENERGY SOLUTIONS LLC
+1-980-221-0654
info@ls-es.com

MCM Engineering II
+1-435-865-0125
sales.us@lselectricamerica.com

America Western Office
+1-949-333-3140
america@ls-electric.com

America Bastrop Campus
+1-800-891-2941 EXT 2
power_support.us@lselectricamerica.com

Vietnam

LS ELECTRIC Vietnam Co., Ltd.
+84-222-2221-110
vietnam@ls-electric.com

Hanoi Office
+84-24-6275-8054
vietnam@ls-electric.com

Ho Chi Minh Office
+84-3823-7890
vietnam@ls-electric.com

Specifications in this catalog are subject to change without notice due to continuous product development and improvement

© 2016. 01 LS ELECTRIC Co., Ltd. All rights reserved. / English (05) 2025. 12 Human Power