



*Beyond* X™

Pad Mounted  
Transformers



**LS** ELECTRIC



# Distribution Transformers



## Pad-Mounted Compartmental Type



### General

LS ELECTRIC pad-mounted compartmental type transformers, for use in underground power distribution systems, are designed to meet or exceed ANSI, IEEE, NEMA and DOE Energy Efficiency standards. Pad-mounted transformers can be supplied with dead-front or live front configuration, for loop or radial feed applications, with mineral oil or natural ester oil, and are also available as UL listed.

### Product Scope

Phase	Three or Single
Frequency	50 Hz or 60 Hz
Average Winding Rise	55 °C, 55/65 °C, 65 °C
Fluid Type	Mineral Oil or Natural Ester Oil
Ratings	45 – 10,000 kVA 2,400 – 69,000 V <sup>1)</sup>
Special Designs	K-Factor UL Listed Solar/Wind Design Seismic Applications Special Sound/Altitude/Ambient Conditions

<sup>1)</sup> For above 35 kV, 150 kV BIL, please contact LS ELECTRIC representative

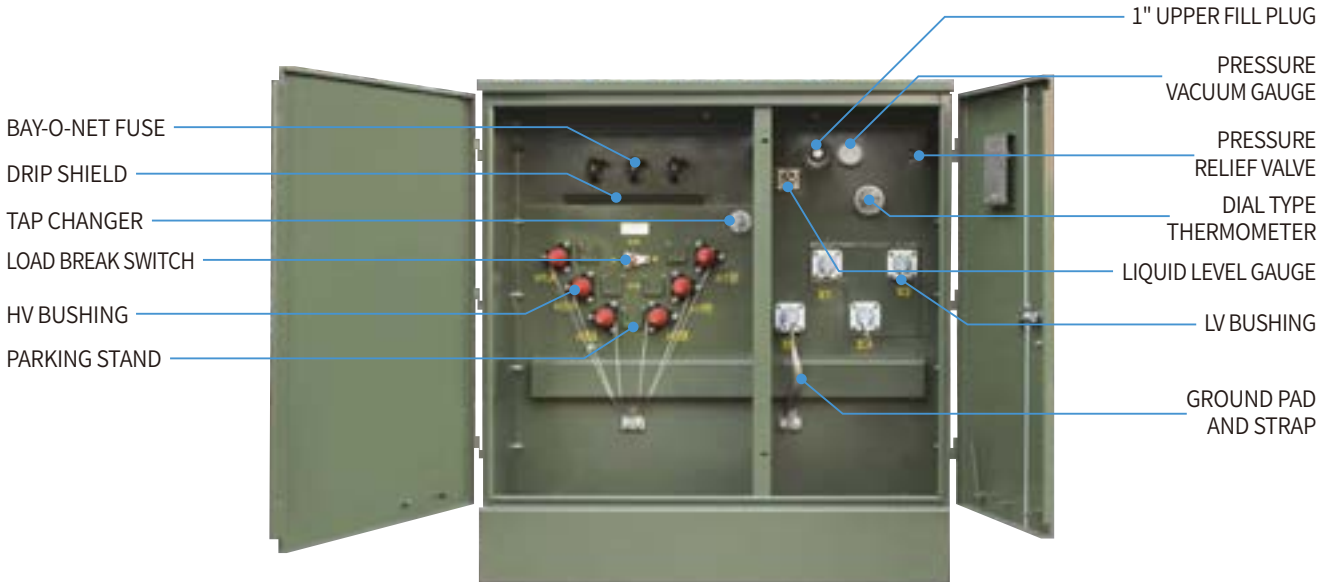


### Applicable Standards

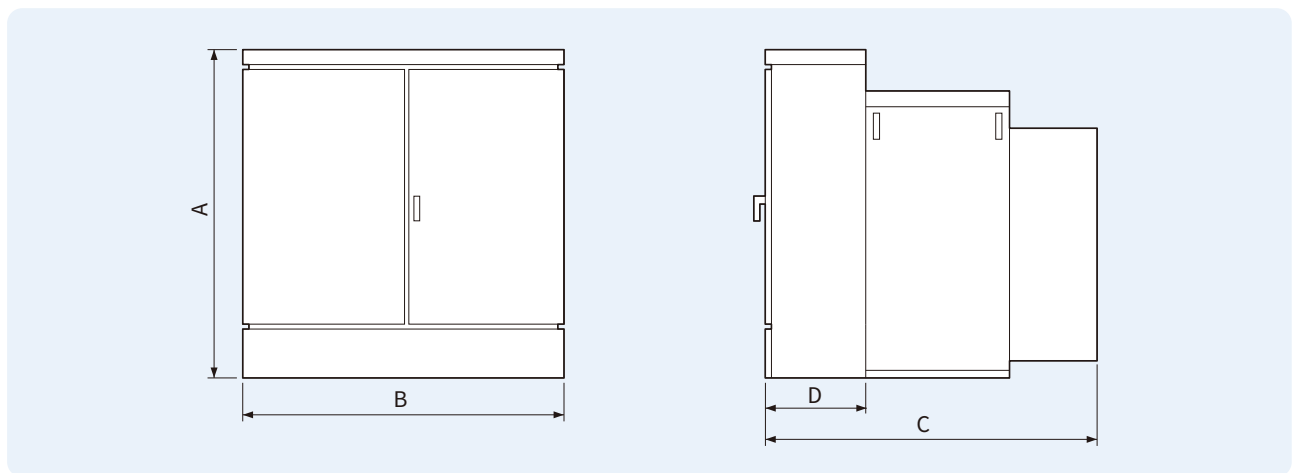
- IEEE C57.12.00 (General Requirements for Liquid-Immersed Transformers)
- IEEE C57.12.28 (Pad-Mounted Equipment-Enclosure Integrity)
- IEEE C57.12.34 (Requirements for Three-phase Pad-Mounted Transformers)
- IEEE C57.12.38 (Requirements for Single-phase Pad-Mounted Transformers)
- IEEE C57.12.70 (Standard Terminal Markings and Connections)
- IEEE C57.12.80 (Standard Terminology)
- IEEE C57.12.90 (Test Code for Liquid-Immersed Transformers)
- NEMA TR1 (Sound Levels)

# Distribution Transformers

## Three-Phase Pad-Mounted Compartmental Type



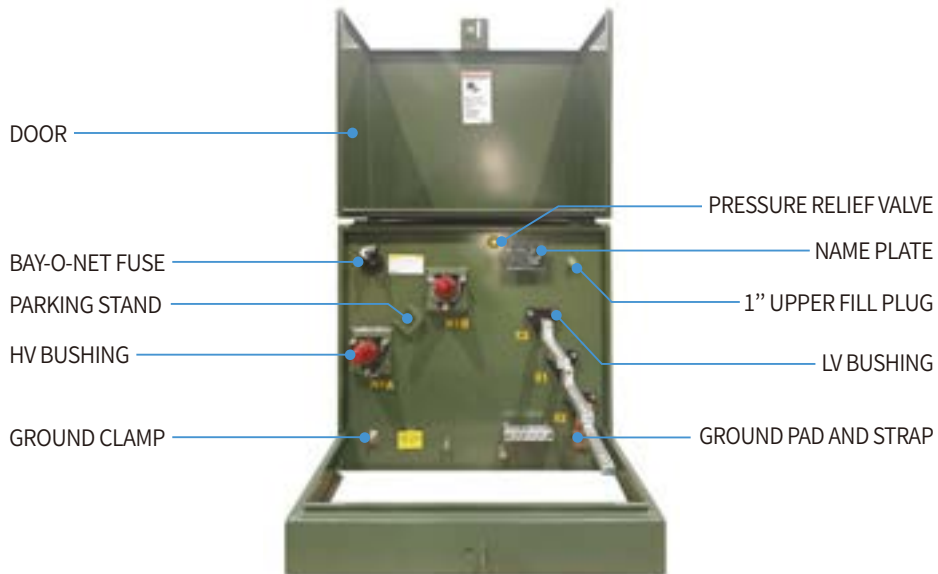
### Approximate Dimensions



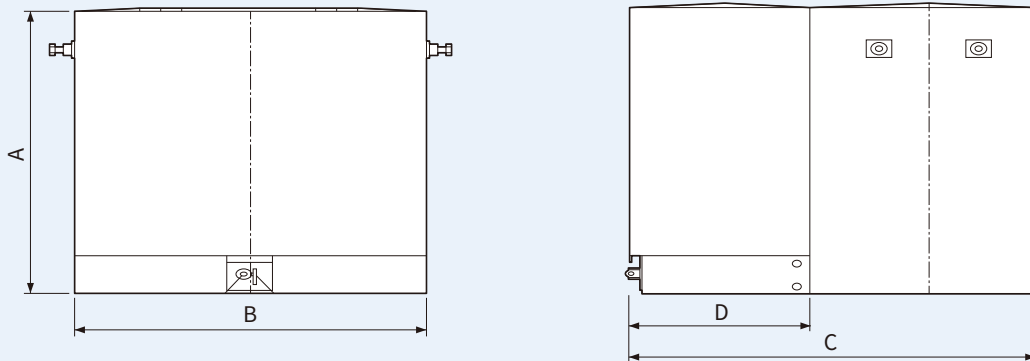
kVA	A (Height, in.)	B (Width, in.)	C (Depth, in.)	D (Depth, in.)	Total Liquid (Gallons)	Total Weight (lbs)
300	62	59	55	20	200	4,960
500	62	65	62	24	220	5,330
750	65	72	62	24	300	7,400
1000	69	72	65	24	360	8,880
1500	70	75	75	24	420	11,920
2000	71	75	86	24	490	13,450
2500	74	80	95	24	590	16,330
3000	80	80	99	24	650	17,500
3750	81	85	110	26	740	18,600

1) Dimensions, gallons, and weights are for reference only, not for construction. Please contact LS ELECTRIC representative

## Single-Phase Pad-Mounted Compartmental Type



### Approximate Dimensions



kVA	A (Height, in.)	B (Width, in.)	C (Depth, in.)	D (Depth, in.)	Liquid (Gallons)	Weight (lbs)
25	32	34	38	16	55	1,060
37.5	32	34	38	16	57	1,120
50	32	34	38	16	58	1,250
75	32	34	40	16	59	1,345
100	34	34	40	16	60	1,515
167	36	36	42	16	64	1,850

1) Dimensions, gallons, and weights are for reference only, not for construction. Please contact LS ELECTRIC representative

2) C and D will be increased for 150 kV BIL

# Global Business



LS ELECTRIC set a mid- to long-term vision for each overseas market to broaden its global business presence. In addition to pursuing the evolution of our existing businesses, we are discovering new business opportunities and strengthening the basis of business operations to take a tailor-made approach to each local market.

<p><b>1 Europe</b></p> <p>Accelerating growth mainly in the renewable energy market</p>	<p><b>2 Middle East &amp; Southwest Asia</b></p> <p>Strengthening direct sales through localization</p>	<p><b>3 China</b></p> <p>Strengthening business capabilities for power equipment and systems</p>
<p><b>4 Southeast Asia</b></p> <p>Focusing on the sale of strategic products and project development</p>	<p><b>5 North America</b></p> <p>Delivering global products and solutions, tapping into the Central and Latin American markets</p>	

## ► R&D



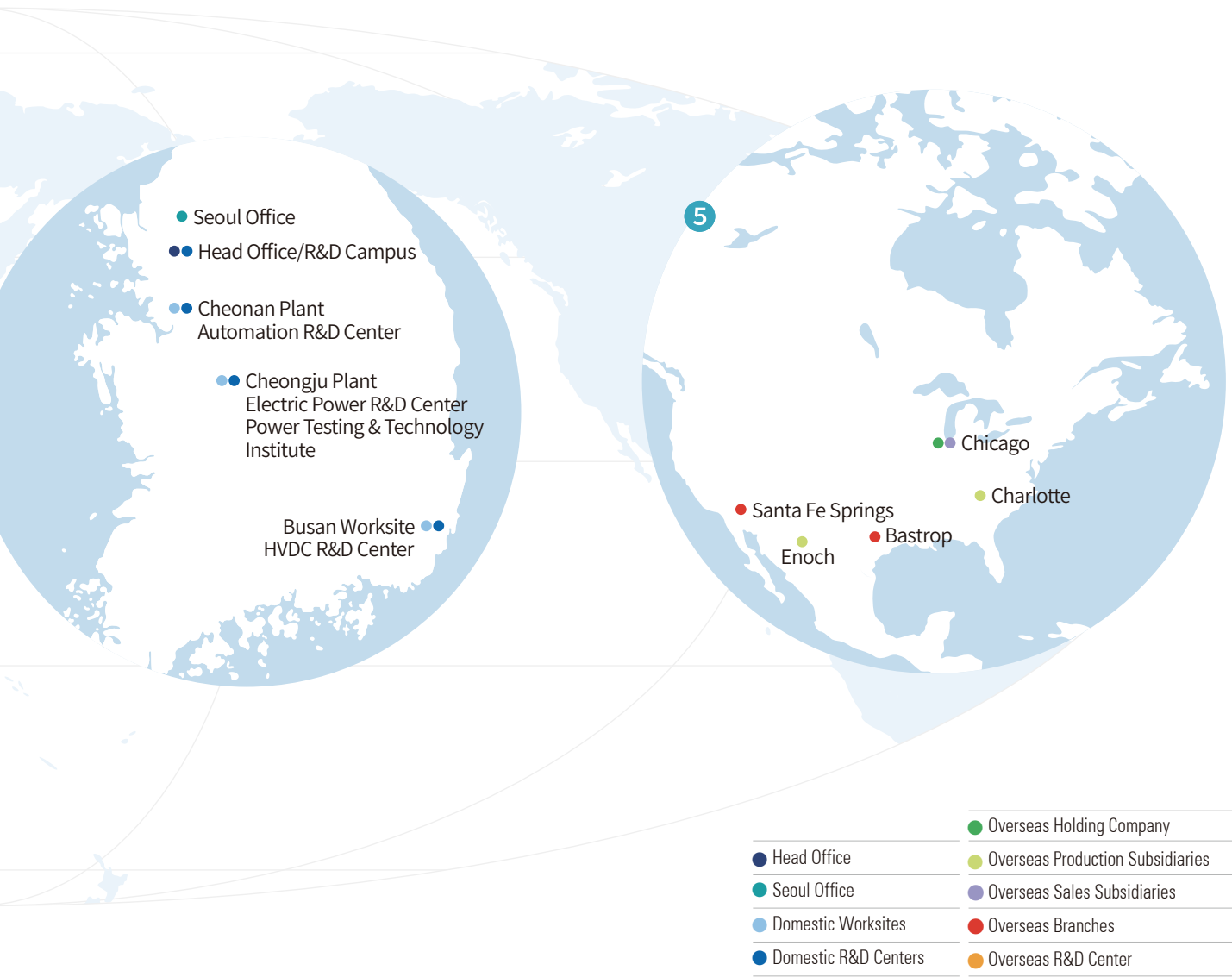
### R&D Campus

Focuses on gaining competitive advantages through development of next generation platforms



### Automation R&D Center

Serves as the main research institute for LS ELECTRIC



► **Factory**



**Power Device R&D Center**  
Leading technology in electric industry and continuously developing future-growth dynamic engines



**Cheongju Factory (Korea)**  
Electric Products, Mold TR, MV/LV Switchgear, and HV GIS



**Cheonan Factory (Korea)**  
PLC, AC Drive, HMI, DCS, and PV Module



**Busan Factory (Korea)**  
HV TR, HVDC, and FACTS



**Ulsan Factory (Korea, LS Power Solution)**  
HV TR, Mold TR, and Pad TR



**PT&T (Testing laboratory)**  
Internationally-renowned testing center that has formed partnerships with UL, CE, KEMA, and CESI



**Wuxi Factory (China)**  
Electric Products



**Dalian Factory (China)**  
MV/LV Switchgear, and MV Contactor



**Hanoi Factory (Vietnam)**  
MV/LV Switchgear, and Mold TR



**Tangerang Factory (Indonesia)**  
Pad TR, Distribution Oil TR, and Distribution Panel



## Headquarters

127 LS-ro (Hogye-dong) Dongan-gu, Anyang-si, Gyeonggi-Do, 14119, Korea

## Seoul Office

LS Yongsan Tower, 92, Hangang-daero, Yongsan-gu, Seoul, 04386, Korea  
TEL: 82-2-2034-4916, 4684, 4429

## China

LS ELECTRIC (Dalian) Co., Ltd.  
+86-411-8730-5872  
china.dalian@lselectric.com.cn

LS ELECTRIC (Wuxi) Co., Ltd.  
+86-510-6851-6666  
china.wuxi@lselectric.com.cn

LS ELECTRIC (Lishui) Co., Ltd.  
+86-578-6866-780  
china.lishui@lselectric.com.cn

Shanghai Office  
+86-21-5237-9977  
china@lselectric.com.cn

Beijing Office  
+86-10-5095-1631  
china@lselectric.com.cn

Guangzhou Office  
+86-20-3818-2883  
china@lselectric.com.cn

Qingdao Office  
+86-532-8501-2065  
china@lselectric.com.cn

Chengdu Office  
+86-28-8670-3201  
china@lselectric.com.cn

Nanjing Office  
+86-25-84 67-0005  
china@lselectric.com.cn

## India

India Office  
+91-80-6142-9108  
Info\_india@ls-electric.com

## Indonesia

PT. LS ELECTRIC INDONESIA  
+62-21-2933-7614  
indonesia@ls-electric.com

## Italy

Italy office  
+39-030-8081-833  
italia@ls-electric.com

## Japan

LS ELECTRIC Japan Co., Ltd.  
+81-3-6268-8241  
japan@ls-electric.com

Tokyo Office  
+81-3-6268-8241  
tokyo@ls-electric.com

## Netherlands

LS ELECTRIC Europe B.V.  
+31-20-654-1424  
europartner@ls-electric.com

## Russia

Moscow Office  
+7-499-682-6130  
info@lselectric-ru.com

## Singapore

Singapore Office  
+65-6958-8162  
singapore@ls-electric.com

## Spain

LS ELECTRIC IBERIA S.L.U.  
+34-910-28-02-74  
iberia@ls-electric.com

## Thailand

Bangkok Office  
+66-2-128-0295  
thailand@ls-electric.com

## Türkiye

LS ELECTRIC Türkiye Co., Ltd.  
+90-212-806-1252  
turkiye@ls-electric.com

## U.A.E.

LS ELECTRIC Middle East FZE (Dubai)  
+971-4-886-5360  
middleeast@ls-electric.com

## USA

LS ELECTRIC America Inc.  
+1-800-891-2941  
sales.us@lselectricamerica.com

LS ENERGY SOLUTIONS LLC  
+1-980-221-0654  
info@ls-es.com

MCM Engineering II  
+1-435-865-0125  
sales.us@lselectricamerica.com

America Western Office  
+1-949-333-3140  
america@ls-electric.com

America Bastrop Campus  
+1-800-891-2941 EXT 2  
power\_support.us@lselectricamerica.com

## Vietnam

LS ELECTRIC Vietnam Co., Ltd.  
+84-222-2221-110  
vietnam@ls-electric.com

Hanoi Office  
+84-24-6275-8054  
vietnam@ls-electric.com

Ho Chi Minh Office  
+84-3823-7890  
vietnam@ls-electric.com

Specifications in this catalog are subject to change without notice due to continuous product development and improvement

© 2023. 07 LS ELECTRIC Co., Ltd. All rights reserved. English (02) 2026. 04 HumanPower

[www.ls-electric.com](http://www.ls-electric.com)

Distributed by Gross Automation | +1 (262) 252-1600 | [sales@grossautomation.com](mailto:sales@grossautomation.com)