



# HAMMOND MANUFACTURING®



Quality Products. Service Excellence.

## PCJ Series Polycarbonate Enclosures



**Also Includes:**  
PCJ Panels, FRP w/ 3 Point Handles  
and General Accessories

# PCJ Polycarbonate Enclosures - NEMA 4X

## PCJ Series

PCJ Series comes standard with patented multi-mounting capability including an out-of-the-box mounting flange or adjustable mounting feet which adapt to various mounting configurations. Featuring metallic or nonmetallic latches and molded-in latch keepers and mounting bosses, a tongue and groove seal joint between cover and base, PCJ is the ultimate in polycarbonate enclosures. A clear polycarbonate cover option is also available for instrumentation applications where critical electronic equipment must be visible and protected from the elements.



- Cover to base design – Flush, aesthetically pleasing and more modern architecture, moulded RAL7035 light gray
- Clear polycarbonate instrumentation cover where critical electrical/ electronic equipment must be visible and protected from the elements
- Solid/opaque covers available
- Operating temperatures between 130°C and -35°C (226°F to -31°F)
- Impact index of 16J (12ft/lb)
- Inner panels available in white painted steel or natural aluminium



- Metal or nonmetal snap latches mount on a molded-in boss and the latch to molded-in keepers with no additional wall penetrations.
- Padlock hasp comes standard on all snap latches.



- Out-of-the-box flange design - factory installed.
- Mounting dimensions molded into the enclosure base.
- Durable polycarbonate feet/flanges resist cracking during wall mount assembly.



- Feet and flanges act as an enclosure pad on uneven surfaces preventing enclosure from being drawn down and binding.
- Optional foot mount brackets for multi-directional mounting (vertical or horizontal positioning).



- Molded hinge design with stainless steel tamper resistant hinge pin with no wall penetrations.
- Tongue and groove, closed cell neoprene seal design achieves NEMA Type 4X rating.



- Molded-in back panel bosses with brass inserts and additional center bosses for mounting DIN rail using #10 sheet metal screws.



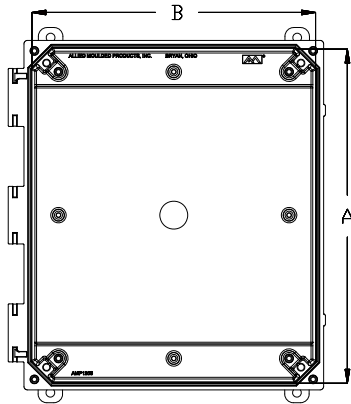
- Adjustable corner support allows panel to be flush to enclosure body or 1.5" from bottom within the moulded-in corner slots. Corner support supplied with optional swing panel assembly.

Panel  
Sold  
Separately

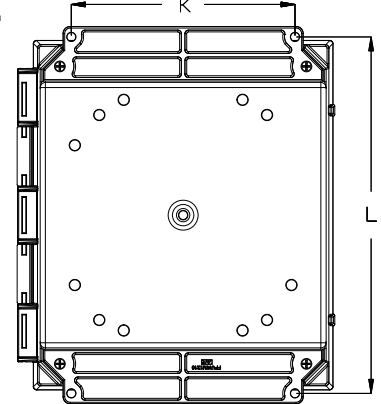
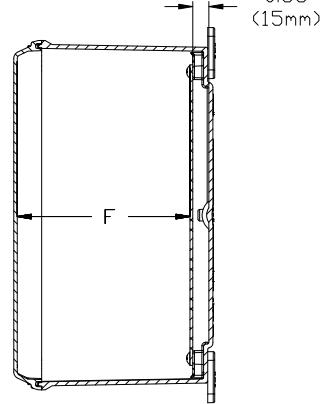


# PCJ Polycarbonate Enclosures - NEMA 4X

## PCJ Series



NOTE: COVER REMOVED FOR CLARITY



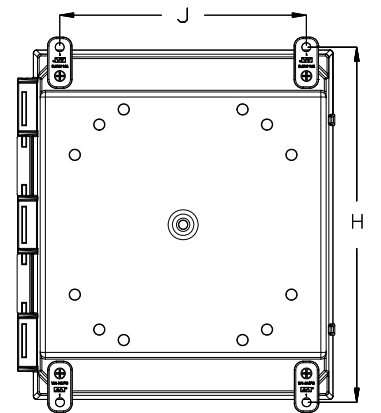
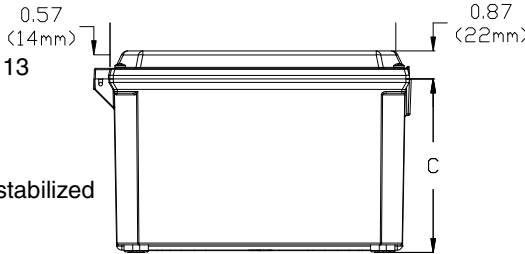
FLANGE MOUNT

### Standards

- UL 508 Type 1, 2, 3, 4, 4X, 12 and 13
- CSA Type 1, 2, 3, 4, 4X, 12 and 13

### Complies with

- NEMA Type 1, 2, 3, 4, 4X, 12 and 13
- IEC 60529, IP66
- Flamability V-O per UL 94
- UV rating (f1) per UL746C - UV stabilized for outdoor use
- Compliant with RoHS directive



FOOT MOUNT

## Base Enclosure Dimensions

Overall Dimensions			Feet Mounting Centers			Flange Mounting Centers		Nominal Wall Thickness
A	B	C	J	H	F	K	L	
5.93	6.16	3.98	4.91	6.75	4.18	4	6.88 / 6.75	0.14
7.94	6.16	3.98	4.91	8.75	4.18	4	8.88 / 8.75	0.14
9.93	8.15	3.98	6.91	10.75	4.18	6	10.75	0.14
11.92	10.15	5.98	8.82	12.7	6.18	8	12.75	0.14
13.94	12.16	5.98	10.82	14.7	6.18	10	14.75 / 14.62	0.14

## Inner Panels, PCJ Series (optional)

Mild Steel Part No.	Aluminum Part No.	Panel		For Use With PCJ Series	
		Length	Width	A	B
PCJR0505	PCJA0505	4.81	4.81	5.93	6.16
PCJR0705	PCJA0705	6.75	4.88	7.94	6.16
PCJR0907	PCJA0907	8.75	6.88	9.93	8.15
PCJR1109	PCJA1109	10.75	8.88	11.92	10.15
PCJR1311	PCJA1311	12.75	10.88	13.94	12.16

## Modification Services

Whether you require an additional cutout or accessories, Hammond has you covered!

- Holes
- Cutouts
- Accessory Installation

**Call Today!**

**CAN: 519.822.2960  
USA: 716.630.7030**

# PCJ Polycarbonate Enclosures - NEMA 4X

## PCJ Series



### Screw Cover (flange)

Solid Cover	Clear Cover	Flange								Optional Steel
Flange	Flange	Overall Dimensions			Panel Dimensions			Mounting Centers (in)		Inner Panel
Part No.	Part No.	A	B	C	D	E	F	K	L	Part No.
<b>PCJ664F</b>	<b>PCJ664CCF</b>	5.93	6.16	3.98	4.81	4.81	4.18	4	6.88 / 6.75	<b>PCJR0505</b>
<b>PCJ864F</b>	<b>PCJ864CCF</b>	7.94	6.16	3.98	6.75	4.88	4.18	4	8.88 / 8.75	<b>PCJR0705</b>
<b>PCJ1084F</b>	<b>PCJ1084CCF</b>	9.93	8.15	3.98	8.75	6.88	4.18	6	10.75	<b>PCJR0907</b>
<b>PCJ12106F</b>	<b>PCJ12106CCF</b>	11.92	10.15	5.98	10.75	8.88	6.18	8	12.75	<b>PCJR1109</b>
<b>PCJ14126F</b>	<b>PCJ14126CCF</b>	13.94	12.16	5.98	12.75	10.88	6.18	10	14.75 / 14.62	<b>PCJR1311</b>

### Screw Cover (feet)

Solid Cover	Clear Cover	Feet								Optional Steel
Mounting Feet	Mounting Feet	Overall Dimensions			Panel Dimensions			Mounting Centers		Inner Panel
Part No.	Part No.	A	B	C	D	E	F	J	H	Part No.
<b>PCJ664</b>	<b>PCJ664CC</b>	5.93	6.16	3.98	4.81	4.81	4.18	4.91	6.75	<b>PCJR0505</b>
<b>PCJ864</b>	<b>PCJ864CC</b>	7.94	6.16	3.98	6.75	4.88	4.18	4.91	8.75	<b>PCJR0705</b>
<b>PCJ1084</b>	<b>PCJ1084CC</b>	9.93	8.15	3.98	8.75	6.88	4.18	6.91	10.75	<b>PCJR0907</b>
<b>PCJ12106</b>	<b>PCJ12106CC</b>	11.92	10.15	5.98	10.75	8.88	6.18	8.82	12.7	<b>PCJR1109</b>
<b>PCJ14126</b>	<b>PCJ14126CC</b>	13.94	12.16	5.98	12.75	10.88	6.18	10.82	14.7	<b>PCJR1311</b>

### Hinged Screw Cover (flange)

Solid Cover	Clear Cover	Flange								Optional Steel
Flange	Flange	Overall Dimensions			Panel Dimensions			Mounting Centers (in)		Inner Panel
Part No.	Part No.	A	B	C	D	E	F	K	L	Part No.
<b>PCJ664HF</b>	<b>PCJ664CCHF</b>	5.93	6.16	3.98	4.81	4.81	4.18	4	6.88 / 6.75	<b>PCJR0505</b>
<b>PCJ864HF</b>	<b>PCJ864CCHF</b>	7.94	6.16	3.98	6.75	4.88	4.18	4	8.88 / 8.75	<b>PCJR0705</b>
<b>PCJ1084HF</b>	<b>PCJ1084CCHF</b>	9.93	8.15	3.98	8.75	6.88	4.18	6	10.75	<b>PCJR0907</b>
<b>PCJ12106HF</b>	<b>PCJ12106CCHF</b>	11.92	10.15	5.98	10.75	8.88	6.18	8	12.75	<b>PCJR1109</b>
<b>PCJ14126HF</b>	<b>PCJ14126CCHF</b>	13.94	12.16	5.98	12.75	10.88	6.18	10	14.75 / 14.62	<b>PCJR1311</b>

### Hinged Screw Cover (feet)

Solid Cover	Clear Cover	Feet								Optional Steel
Mounting Feet	Mounting Feet	Overall Dimensions			Panel Dimensions			Mounting Centers		Inner Panel
Part No.	Part No.	A	B	C	D	E	F	J	H	Part No.
<b>PCJ664H</b>	<b>PCJ664CCH</b>	5.93	6.16	3.98	4.81	4.81	4.18	4.91	6.75	<b>PCJR0505</b>
<b>PCJ864H</b>	<b>PCJ864CCH</b>	7.94	6.16	3.98	6.75	4.88	4.18	4.91	8.75	<b>PCJR0705</b>
<b>PCJ1084H</b>	<b>PCJ1084CCH</b>	9.93	8.15	3.98	8.75	6.88	4.18	6.91	10.75	<b>PCJR0907</b>
<b>PCJ12106H</b>	<b>PCJ12106CCH</b>	11.92	10.15	5.98	10.75	8.88	6.18	8.82	12.7	<b>PCJR1109</b>
<b>PCJ14126H</b>	<b>PCJ14126CCH</b>	13.94	12.16	5.98	12.75	10.88	6.18	10.82	14.7	<b>PCJR1311</b>

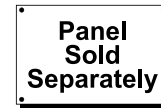
Technical references and CAD downloads available at [www.hammondmfg.com](http://www.hammondmfg.com)

All dimensions in inches unless specified otherwise

**Quality Products. Service Excellence.**

# PCJ Polycarbonate Enclosures - NEMA 4X

## PCJ Series



### Non-Metallic Latch Cover (flange)

Solid Cover	Clear Cover	Flange								Optional Steel
Flange	Flange	Overall Dimensions			Panel Dimensions			Mounting Centers (in)		Inner Panel
Part No.	Part No.	A	B	C	D	E	F	K	L	Part No.
PCJ664NLF	PCJ664CCNLF	5.93	6.16	3.98	4.81	4.81	4.18	4	6.88 / 6.75	PCJR0505
PCJ864NLF	PCJ864CCNLF	7.94	6.16	3.98	6.75	4.88	4.18	4	8.88 / 8.75	PCJR0705
PCJ1084NLF	PCJ1084CCNLF	9.93	8.15	3.98	8.75	6.88	4.18	6	10.75	PCJR0907
PCJ12106NLF	PCJ12106CCNLF	11.92	10.15	5.98	10.75	8.88	6.18	8	12.75	PCJR1109
PCJ14126NLF	PCJ14126CCNLF	13.94	12.16	5.98	12.75	10.88	6.18	10	14.75 / 14.62	PCJR1311

### Non-Metallic Latch Cover (feet)

Solid Cover	Clear Cover	Feet								Optional Steel
Mounting Feet	Mounting Feet	Overall Dimensions			Panel Dimensions			Mounting Centers		Inner Panel
Part No.	Part No.	A	B	C	D	E	F	J	H	Part No.
PCJ664NL	PCJ664CCNL	5.93	6.16	3.98	4.81	4.81	4.18	4.91	6.75	PCJR0505
PCJ864NL	PCJ864CCNL	7.94	6.16	3.98	6.75	4.88	4.18	4.91	8.75	PCJR0705
PCJ1084NL	PCJ1084CCNL	9.93	8.15	3.98	8.75	6.88	4.18	6.91	10.75	PCJR0907
PCJ12106NL	PCJ12106CCNL	11.92	10.15	5.98	10.75	8.88	6.18	8.82	12.7	PCJR1109
PCJ14126NL	PCJ14126CCNL	13.94	12.16	5.98	12.75	10.88	6.18	10.82	14.7	PCJR1311

### Metal Latch Cover (flange)

Solid Cover	Clear Cover	Flange								Optional Steel
Flange	Flange	Overall Dimensions			Panel Dimensions			Mounting Centers (in)		Inner Panel
Part No.	Part No.	A	B	C	D	E	F	K	L	Part No.
PCJ664LF	PCJ664CCLF	5.93	6.16	3.98	4.81	4.81	4.18	4	6.88 / 6.75	PCJR0505
PCJ864LF	PCJ864CCLF	7.94	6.16	3.98	6.75	4.88	4.18	4	8.88 / 8.75	PCJR0705
PCJ1084LF	PCJ1084CCLF	9.93	8.15	3.98	8.75	6.88	4.18	6	10.75	PCJR0907
PCJ12106LF	PCJ12106CCLF	11.92	10.15	5.98	10.75	8.88	6.18	8	12.75	PCJR1109
PCJ14126LF	PCJ14126CCLF	13.94	12.16	5.98	12.75	10.88	6.18	10	14.75 / 14.62	PCJR1311

### Metal Latch Cover (feet)

Solid Cover	Clear Cover	Feet								Optional Steel
Mounting Feet	Mounting Feet	Overall Dimensions			Panel Dimensions			Mounting Centers		Inner Panel
Part No.	Part No.	A	B	C	D	E	F	J	H	Part No.
PCJ664L	PCJ664CCL	5.93	6.16	3.98	4.81	4.81	4.18	4.91	6.75	PCJR0505
PCJ864L	PCJ864CCL	7.94	6.16	3.98	6.75	4.88	4.18	4.91	8.75	PCJR0705
PCJ1084L	PCJ1084CCL	9.93	8.15	3.98	8.75	6.88	4.18	6.91	10.75	PCJR0907
PCJ12106L	PCJ12106CCL	11.92	10.15	5.98	10.75	8.88	6.18	8.82	12.7	PCJR1109
PCJ14126L	PCJ14126CCL	13.94	12.16	5.98	12.75	10.88	6.18	10.82	14.7	PCJR1311

Technical references and CAD downloads available at [www.hammondmfg.com](http://www.hammondmfg.com)

All dimensions in inches unless specified otherwise

**Quality Products. Service Excellence.**

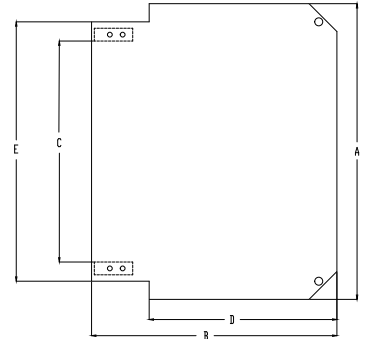
## Accessories

### Swing Panels for PCJ Series



HFPP Kit	Enclosure					
Part No.	Base Part No.	A	B	C	D	E
<b>PCJHFPP66</b>	PCJ664	5.44	5.61	2.64	3.36	4.19
<b>PCJHFPP86</b>	PCJ864	7.44	5.61	4.64	3.36	6.19
<b>PCJHFPP108</b>	PCJ1084	9.43	7.63	6.63	5.38	8.18
<b>PCJHFPP1210</b>	PCJ12106	11.55	9.58	8.63	7.33	10.13
<b>PCJHFPP1412</b>	PCJ14126	13.10	11.25	10.61	9.00	11.75

\* Mounting Hardware Included



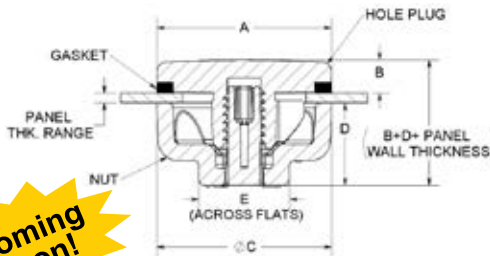
### Rainproof Ventilator

- Designed to equalize internal/external pressure and temperature
- Ventilators assist in condensation prevention by allowing enclosures to breathe
- Suitable for most types of metallic and non-metallic enclosures
- Molded in corrosion resistant thermal set plastic, finish RAL7035 Light Gray
- Gasket protection to enclosure wall
- Mount to enclosure wall thickness up to .14"
- Internal vent channel & grille reduces insect intrusion



Cutout Dim.	Large ø1.10	Small ø 0.75
Part No.	SDV280-1	SDV180-1

\* Sold in QTY 1



### Hole Plug Assemblies

- Self centering, anti-rotational design for fast and ease one person installation, no tools required
- Plug fits wide range of hole sizes without restrictive hole centering spacers
- Recognized component for use with UL & CSA listed enclosures
- Available in 2 material options for wall thickness from 16 gauge to 1/4"

Description	Plugged Hole		Wall Thickness					
	Diameter Range		Range	A	B	C	D	E
Pilot Light	0.500	- 0.812	0.059 - 0.250	1.060	0.235	1.060	0.500	0.549
.5" Conduit	0.812	- 0.937	0.059 - 0.250	1.183	0.235	1.183	0.500	0.609
.75" Conduit	1.000	- 1.312	0.059 - 0.250	1.618	0.235	1.618	0.500	0.949
1" Conduit	1.375	- 1.625	0.059 - 0.250	1.862	0.235	1.862	0.500	0.949
1.25" Conduit	1.687	- 1.875	0.059 - 0.250	2.122	0.235	2.122	0.500	1.199
1.5" Conduit	2.000	- 2.187	0.059 - 0.250	2.435	0.235	2.435	0.500	1.300
2" Conduit	2.500	- 2.750	0.059 - 0.250	3.058	0.235	3.058	0.750	1.300
2.5" Conduit	2.875	- 3.125	0.059 - 0.250	3.433	0.235	3.433	0.750	1.500
3" Conduit	3.500	- 3.750	0.059 - 0.250	4.058	0.235	4.058	0.750	1.500
3.5" Conduit	4.000	- 4.250	0.059 - 0.250	4.558	0.235	4.558	0.750	1.500
4" Conduit	4.500	- 4.750	0.059 - 0.250	5.118	0.235	5.118	0.750	1.500

Technical references and CAD downloads available at [www.hammondmfg.com](http://www.hammondmfg.com)

All dimensions in inches unless specified otherwise

**Quality Products. Service Excellence.**

# Polyester Wallmount Enclosure - NEMA 4X

## PJW Series



### Continuous Hinge Door w/ 3 Point Handle

#### Application

- Designed for use as instrument enclosures, electric, hydraulic or pneumatic control housings, electrical junction boxes or terminal wiring enclosures
- Provides outstanding insulation and protection where equipment may be hosed down or be very wet
- Ideal in applications with high temperatures or highly corrosive environments

#### Standards

- UL/cUL 508 Type 1, 2, 3, 4, 4X, 12 and 13
- CSA Type 1, 2, 3, 4, 4X, 12 and 13

#### Complies with

- NEMA Type 1, 2, 3, 4, 4X, 12 and 13
- IEC 60529, IP66



#### Construction

- Molded fiberglass polyester enclosure with matching cover is easily punched, cut, or drilled
- Enhanced UV inhibitors protect against outdoor weathering
- 3/8" collar studs are provided for optional inner panel mounting, hardware included
- 316 stainless steel 3 point padlockable handle
- Continuous 316 stainless steel piano hinge
- Captive oil resistant gasket provides a positive seal
- Integrated mounting flange
- Operating temperatures between 130°C and -40°C (266°F to -40°F)
- Impact index of 6.78J (5 ft/lb)

#### Finish

- Fiberglass polyester material has a RAL7035 light gray finish
- Optional inner panels are available in white powder coated finished steel

Part No.	Overall Enclosure Dimensions			Mounting Centre		Panel Size		Opt. Steel Panel	Ship Wt. (lbs)
	Height	Width	Depth	Height	Width	Height	Width	Part No.	
PJW363010L3PT	36.25	30.25	10.13	38.50	24.00	33.00	27.00	18P3327	59
PJW363014L3PT	36.25	30.25	14.13	38.50	24.00	33.00	27.00	18P3327	64
PJW363610L3PT	36.25	36.25	10.13	38.50	30.00	33.00	33.00	18P3333	72
PJW363614L3PT	36.25	36.25	14.13	38.50	30.00	33.00	33.00	18P3333	77
PJW483610L3PT	48.25	36.25	10.13	50.50	30.00	45.00	33.00	18P4533	83
PJW483614L3PT	48.25	36.25	14.13	50.50	30.00	45.00	33.00	18P4533	91
PJW603610L3PT	60.25	36.25	10.13	62.50	30.00	57.00	33.00	18P5733	101
PJW603614L3PT	60.25	36.25	14.13	62.50	30.00	57.00	33.00	18P5733	122

\* Latch version also available

Technical references and CAD downloads available at [www.hammondmfg.com](http://www.hammondmfg.com)

All dimensions in inches unless specified otherwise

**Quality Products. Service Excellence.**

© Hammond Manufacturing

Canada: 519.822.2960 or 905.456.3770

USA: 716.630.7030

Data Subject to change without notice

Distributed by Gross Automation | +1 (262) 252-1600 | [sales@grossautomation.com](mailto:sales@grossautomation.com)



Part No. PJHD181610RLF

## Heavy Duty PJ Snap Latch Enclosure

### Application

- Ideal to insulate and house off grid solar batteries or remote monitoring equipment in outdoor applications
- Especially well suited for high temperature or corrosive environment
- Protects from UV, dirt, dust, oil and water
- Moulded in UV stabilized Ultraguard™ FRP material, with 316 stainless hardware

### Features

- Increased wall thickness of .200" (5mm)
- Pad lockable snap latches
- Gasket made of closed cell neoprene core encased in a continuous channel

### Dimensions

- Body = 18.24" H x 16.24" W x 10.13" H
- Body and Lid overall Height = 12.1"

Panel Sold Separately

### Optional Inner Panels

- P1868 (white painted steel)
- F1868 (fiberglass)
- A1868 (un-finished aluminum)



## Replacement 316 Hardware Kits PJ/PJU



Part No. PJLKIT316

Qty 2 snap latches, rivets and screws for PJ Series



Part No. PJTKIT316

Qty 2 twist latches, rivets and screws for PJ Series



Part No. PJLKIT316

Qty 2 snap latches, rivets and screws for PJU Series



Part No. PJUTKIT316

Qty 2 twist latches, rivets and screws for PJU Series



Part No. PJSKIT316

Qty 20 screws for PJ or PJU Series

[www.hammondmfg.com](http://www.hammondmfg.com)

### CANADA

Hammond Manufacturing Company Limited  
394 Edinburgh Rd N., Guelph, ON N1H 1E5  
P. (519) 822-2960 | F. (519) 822-0715  
sales@hammfg.com

Les Fabrications Hammond (Quebec) Inc.  
4240 Rue Seré, St-Laurent, QC H4T 1A6  
P. (514) 343-9010 | F. (514) 343-9941  
sales@hammfg.com

### USA

Hammond Manufacturing Company Inc.  
475 Cayuga Rd, Cheektowaga, NY 14225  
P. (716) 630-7030 | F. (716) 630-7042  
sales@hammfg.com

### UNITED KINGDOM

Hammond Electronics Limited  
1 Onslow Close Kingsland Business Park  
Basingstoke, Hampshire, RG24 8QL  
P. +44 1256 812812 | F. +44 1256 332249  
sales@hammond-electronics.co.uk

### AUSTRALIA

Hammond Electronics Pty. Limited  
11-13 Port Rd, Queenstown, SA 5014  
P. +61 88240 2244 | F. +61 88240 2255  
australia@hammfg.com

### ASIA

Hammond Electronics Asia Inc.  
10F., No. 81 Sec. 1, Kuang Fu Road  
San Chung City, Taipei, 241 Taiwan R.O.C.  
P. +886-2-2999-8918 | F. +886-2-2999-8955  
asia@hammondmfg.com

Printed in Canada 2012 [PCJ-001]

Distributed by Gross Automation | +1 (262) 252-1600 | sales@grossautomation.com