

Mild Steel Enclosures (Type 12, 4)
page 2

Stainless Steel Enclosures (Type 4X)
page 42

Aluminum Enclosures (Type 4X)
page 68

Non-Metallic Enclosures (Type 4X)
page 76

Disconnect Enclosures
page 105

Modular Freestanding Enclosures
page 126

Operator Interface Enclosures
page 148

Wireway & Trough
page 184


Commercial Enclosures
page 208

Climate Control
page 244









General Accessories
page 281

Mild Steel Enclosures (Type 12, 4)

Mild Steel Enclosures (Type 12, 4)

	Type 4 Mild Steel Junction Box Eclipse Junior Series Continuous Hinge Door with Quarter Turn 4		Type 12 Mild Steel Two Door Wallmount Enclosure Eclipse Series Hinge Door with Handle..... 17
	Type 12 Mild Steel Junction Box 1414 Series Lift-Off Cover with Clamps..... 5		Type 4 Mild Steel Wallmount Enclosure w/ Window Eclipse Series Hinge Door with Quarter Turn..... 18
	Type 4 Mild Steel Junction Box 1414 N4 Series Lift-Off Cover with Clamps..... 6		Type 4 Mild Steel Wallmount Enclosure w/ Sloped Top ST Series Hinge Door with Quarter Turn..... 20
	Type 4, 12 Mild Steel Junction Box HJ Series Lift-Off Cover with Clamps..... 7		Type 12 Mild Steel Wallmount Enclosure 1418 Series Continuous Hinge Door with Clamps..... 22
	Type 12 Mild Steel Junction Box 1414 PH Series Continuous Hinge Door with Clamps..... 8		Type 4 Mild Steel Wallmount Enclosure 1418 N4 Series Continuous Hinge Door with Clamps..... 24
	Type 4 Mild Steel Junction Box 1414 N4 PH Series Continuous Hinge Door with Clamps..... 9		Type 12 Mild Steel Two Door Wallmount Enclosure 1422 Series Continuous Hinge Door with Handle 26
	Type 4, 12 Mild Steel Junction Box HJ H Series Continuous Hinge Door with Clamps..... 10		Type 4 Mild Steel Wallmount Enclosure HWHK Series Hinge Door with Handle..... 27
	Type 12 Mild Steel Junction Box 1414 SC Series Lift-Off Cover with Screws 11		Type 4 Two Door Wallmount Enclosure HN4 WM Series Continuous Hinge Door with Handle 28
	Type 12 Mild Steel Junction Box 1436/1438 Series Lift-Off Cover with Screws 12		Type 12 Mild Steel Two Door Floormount Enclosure 1422 FM Series Continuous Hinge Door with Handle 29
	Type 12 Mild Steel Wallmount Enclosure 1418J Series Continuous Hinge Door with Screws..... 13		Type 4 Mild Steel Two Door Floormount Enclosure 1422 N4 FM Series Continuous Hinge Door with Clamps..... 30
	Type 4 Mild Steel Wallmount Enclosure Eclipse Series Hinge Door with Quarter Turn/Handle 14		Type 4 Mild Steel Two Door Floormount Enclosure 1422 N4 FM QT Series Continuous Hinge Door with Quarter Turn 31

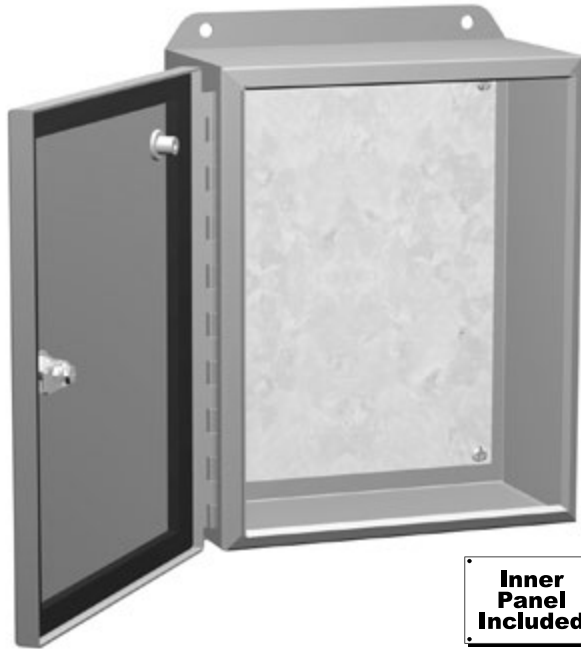
Mild Steel Enclosures (Type 12, 4)

	Type 4 Mild Steel Two Door Floormount Enclosure HN4 FM Series Continuous Hinge Door with Handle 32
	Type 12 Mild Steel Freestanding Enclosure 1418 FS Series Continuous Hinge Door with Handle 33
	Type 4 Mild Steel Freestanding Enclosure 1418 N4 FS Series Continuous Hinge Door with Clamps 35
	Type 4 Mild Steel Freestanding Enclosure 1418 N4 FS QT Series Continuous Hinge Door with Quarter Turn 36
	Type 4 Mild Steel Freestanding Enclosure HN4 FS Series Continuous Hinge Door with Handle 37
	Type 12 Mild Steel Two Door Freestanding Enclosure 1418 FS Series Continuous Hinge Door with Handle 38
	Type 4 Two Door Freestanding Enclosure HN4 FSTD Series Continuous Hinge Door with Handle 39
	Type 12 Mild Steel Multi-Door Freestanding Enclosure 1422 MD Series Continuous Hinge Door with Handle 40

Mild Steel Enclosures (Type 12, 4)

Type 4 Mild Steel Junction Box *Eclipse Junior Series*

Continuous Hinge Door with Quarter Turn



**Inner
Panel
Included**

Quick Link: hammfg.com/EJ

Application

- Designed to enclose electrical and/or electronic equipment and protect against harsh, industrial environments.
- For use as instrument enclosures, electric, hydraulic or pneumatic control housings, electrical junction boxes or terminal wiring enclosures.
- Impressive styling features make the Eclipse Junior a suitable addition to any high-tech equipment installation.

Standards

- UL 508A Type 3R, 4, 12 and 13
- CSA Type 3R, 4, 12 and 13
- Complies with
 - NEMA Type 3R, 4, 12 and 13
 - IEC 60529, IP66

Construction

- Body and cover are formed from 16 gauge steel.
- Smooth, continuously welded seams without knockouts, cutouts, or holes.
- Formed lip on enclosure to exclude flowing liquids and contaminants.
- 14 gauge welded brackets provide for enclosure mounting.
- Continuously hinged cover has 304 stainless steel hinges and provides 180° opening.
- Door latches feature the added safety of quarter turn slot requiring use of tool for opening.
- Quarter turn latches formed from black zinc diecast.
- Seamless poured-in place gasket.

- Models larger than 4"x4" include a removable 14 gauge galvanized inner panel.
- Internal threaded weld studs are provided for mounting inner panels.
- A bonding stud is provided on the door and a grounding stud is provided on the enclosure.
- Grounding and panel mounting hardware provided.

Finish

- Cover and enclosure are finished with a recoatable powder inside and out with choice of ANSI 61 smooth Gray (GY) or RAL7035 textured light gray (LG).
- Inner panels are unpainted galvanized steel.

Accessories

- Additional Inner Panels...*See Page 294*
- Swing Panel Kit...*See Page 302*
- Terminal Kit Assemblies...*See Page 302*
- Padlock Adaptor...*See Page 286*
- Quarter Turn Assemblies...*See Page 287*
- Climate Control...*See Page 244*
- General Accessories...*See Page 281*

ANSI 61 Gray Part No.	RAL 7035 Light Gray Part No.	Enclosure			Panel	
		H	W	D	H	W
EJ443	EJ443LG	4.00	4.00	3.00	-	-
EJ643	EJ643LG	6.00	4.00	3.00	4.88	2.88
EJ683	EJ683LG	6.00	8.00	3.50	4.88	6.75
EJ863	EJ863LG	8.00	6.00	3.50	6.75	4.88
EJ444	EJ444LG	4.00	4.00	4.00	-	-
EJ644	EJ644LG	6.00	4.00	4.00	4.88	2.88
EJ664	EJ664LG	6.00	6.00	4.00	4.88	4.88
EJ884	EJ884LG	8.00	8.00	4.00	6.75	6.88
EJ8104	EJ8104LG	8.00	10.00	4.00	6.88	8.75
EJ1084	EJ1084LG	10.00	8.00	4.00	8.75	6.88
EJ1264	EJ1264LG	12.00	6.00	4.00	10.75	4.88
EJ12124	EJ12124LG	12.00	12.00	4.00	10.75	10.88
EJ10125	EJ10125LG	10.00	12.00	5.00	8.88	10.75
EJ12105	EJ12105LG	12.00	10.00	5.00	10.75	8.88
EJ866	EJ866LG	8.00	6.00	6.00	6.75	4.88
EJ1086	EJ1086LG	10.00	8.00	6.00	8.75	6.88
EJ10106	EJ10106LG	10.00	10.00	6.00	8.75	8.88
EJ12126	EJ12126LG	12.00	12.00	6.00	10.75	10.88
EJ12146	EJ12146LG	12.00	14.00	6.00	10.88	12.75
EJ1486	EJ1486LG	14.00	8.00	6.00	12.75	6.88
EJ14126	EJ14126LG	14.00	12.00	6.00	12.75	10.88
EJ14166	EJ14166LG	14.00	16.00	6.00	12.88	14.75
EJ16106	EJ16106LG	16.00	10.00	6.00	14.75	8.88
EJ16146	EJ16146LG	16.00	14.00	6.00	14.75	12.88
EJ12108	EJ12108LG	12.00	10.00	8.00	10.75	8.88
EJ14128	EJ14128LG	14.00	12.00	8.00	12.75	10.88
EJ16148	EJ16148LG	16.00	14.00	8.00	14.75	12.88
EJ161410	EJ161410LG	16.00	14.00	10.00	14.75	12.88

Technical references and CAD downloads available at www.hammondmfg.com

All dimensions in inches unless specified otherwise

Quality Products. Service Excellence.

Type 12 Mild Steel Junction Box 1414 Series

Lift-Off Cover with Clamps



Quick Link: hammfg.com/1414

Application

- Designed for use as instrument enclosures, electric, hydraulic or pneumatic control housings, electrical junction boxes or terminal wiring enclosures.
- Provides a degree of protection from falling dirt, dust, oil and water.

Standards

- UL 508A Type 12 and 13
- CSA Type 12 and 13
- Complies with
 - NEMA Type 12 and 13
 - IEC 60529, IP54

Construction

- Body formed from 16 gauge or 14 gauge steel. Covers are formed from 14 gauge steel.
- Smooth, continuously welded seams without knockouts, cutouts or holes.
- Welded brackets provide for enclosure mounting.
- Lift off cover is secured with stainless steel clamps and plated steel screws and retained with a plated chain when open.
- Seamless poured-in place gasket.
- Models larger than 4" x 4" include a removable 14 gauge inner panel.
- Internal threaded weld studs are provided for mounting inner panels.
- A bonding stud is provided on the door and a grounding stud is provided on the enclosure.

Finish

- Cover and enclosure are phosphatized and finished in ANSI 61 gray recoatable powder coating.
- Removable inner panel is finished in white powder coating.

Accessories

- Additional Inner Panels...*See Page 294*
- Terminal Kit Assemblies...*See Page 302*
- Swing Panel Kit...*See Page 302*
- Door Clamping Hardware...*See Page 282*
- Climate Control...*See Page 244*
- General Accessories...*See Page 281*

Part No.	Enclosure			Panel	
	H	W	D	H	W
1414A	4.00	4.00	3.00	-	-
1414C	6.00	4.00	3.00	4.88	2.88
1414G	8.00	6.00	3.50	6.75	4.88
1414A4	4.00	4.00	4.00	-	-
1414C4	6.00	4.00	4.00	4.88	2.88
1414E	6.00	6.00	4.00	4.88	4.88
1414I	10.00	8.00	4.00	8.75	6.88
1414K	12.00	10.00	5.00	10.75	8.88
1414M6	14.00	12.00	6.00	12.75	10.88
1414O6	16.00	14.00	6.00	14.75	12.88
1414M8	14.00	12.00	8.00	12.75	10.88
1414O10	16.00	14.00	10.00	14.75	12.88

Technical references and CAD downloads available at www.hammondmfg.com

All dimensions in inches unless specified otherwise

Quality Products. Service Excellence.

Type 4 Mild Steel Junction Box 1414 N4 Series

Lift-Off Cover with Clamps

Mild Steel Enclosures (Type 12, 4) Junction Boxes


 Quick Link: hammfg.com/1414N4

Application

- Designed for use as instrument enclosures, electric, hydraulic or pneumatic control housings, electrical junction boxes or terminal wiring enclosures.
- Provides protection where equipment may be hosed down or otherwise be very wet, or in outdoor applications for full weather protection.

Standards

- UL 508A Type 3R, 4, 12 and 13
- CSA Type 3R, 4, 12 and 13
- Complies with
 - NEMA Type 3R, 4, and 12
 - IEC 60529, IP66

Construction

- Body formed from 16 or 14 gauge steel. Covers are formed from 14 gauge steel.
- Smooth, continuously welded seams without knockouts, cutouts or holes.
- Welded brackets provide for enclosure mounting.
- Lift off cover is secured with stainless steel clamps and screws.
- Seamless poured-in place gasket.
- All models larger than 4" x 4" include a removable 14 gauge inner panel.
- Internal threaded weld studs are provided for mounting inner panels.
- A bonding stud is provided on the door and a grounding stud is provided on the enclosure.

Finish

- Cover and enclosure are phosphatized, finished in recoatable smooth ANSI 61 gray powder coating.
- Removable inner panel is finished in white powder coating.

Accessories

- Additional Inner Panels...*See Page 294*
- Terminal Kit Assemblies...*See Page 302*
- Swing Panel Kit...*See Page 302*
- Door Clamping Hardware...*See Page 282*
- Climate Control...*See Page 244*
- General Accessories...*See Page 281*

Part No.	Enclosure			Panel	
	H	W	D	H	W
1414N4A ¹	4.00	4.00	3.00	-	-
1414N4C	6.00	4.00	3.00	4.88	2.88
1414N4G	8.00	6.00	3.50	6.75	4.88
1414N4E	6.00	6.00	4.00	4.88	4.88
1414N4I	10.00	8.00	4.00	8.75	6.88
1414N4K	12.00	10.00	5.00	10.75	8.88
1414N4M6	14.00	12.00	6.00	12.75	10.88
1414N4O6	16.00	14.00	6.00	14.75	12.88
1414N4M8	14.00	12.00	8.00	12.75	10.88
1414N4O10	16.00	14.00	10.00	14.75	12.88

¹ Panel not included

Type 4, 12 Mild Steel Junction Box *HJ Series*

Lift-Off Cover with Clamps



Quick Link: hammfg.com/HJ

Application

- Designed for use as instrument enclosures, electric, hydraulic or pneumatic control housings, electrical junction boxes or terminal wiring enclosures.
- Provides a degree of protection from falling dirt, dust, oil and water.

Standards

- UL 508A Type 3R, 4, 12 and 13
- CSA Type 3R, 4, 12 and 13
- Complies with
 - NEMA Type 3R, 4, 12 and 13
 - IEC 60529, IP66

Construction

- Body formed from 16 gauge or 14 gauge steel. Covers are formed from 14 gauge steel.
- Smooth, continuously welded seams without knockouts, cutouts or holes.
- Welded brackets provide for enclosure mounting.
- Lift off cover is secured with stainless steel clamps and stainless steel screws and retained with a stainless steel chain when open.
- Seamless poured-in place gasket.
- Internal threaded weld studs are provided for mounting inner panels.
- A bonding stud is provided on the door and a grounding stud is provided on the enclosure.

Finish

- Cover and enclosure are phosphatized and finished in ANSI 61 gray recoatable powder coating

Accessories

- Additional Inner Panels...*See Page 294*
- Terminal Kit Assemblies...*See Page 302*
- Swing Panel Kit...*See Page 302*
- Door Clamping Hardware...*See Page 282*
- Climate Control...*See Page 244*
- General Accessories...*See Page 281*

Part No.	Enclosure			Optional Inner Panel		
	H	W	D	Part No.	H	W
HJ443LP	4.00	4.00	3.00	-	-	-
HJ643LP	6.00	4.00	3.00	14R0503	4.88	2.88
HJ863LP	8.00	6.00	3.50	14R0705	6.75	4.88
HJ444LP	4.00	4.00	4.00	-	-	-
HJ644LP	6.00	4.00	4.00	14R0503	4.88	2.88
HJ664LP	6.00	6.00	4.00	14R0505	4.88	4.88
HJ1084LP	10.00	8.00	4.00	14R0907	8.75	6.88
HJ12105LP	12.00	10.00	5.00	14R1109	10.75	8.88
HJ14126LP	14.00	12.00	6.00	14R1311	12.75	10.88
HJ16146LP	16.00	14.00	6.00	14R1513	14.75	12.88
HJ14128LP	14.00	12.00	8.00	14R1311	12.75	10.88
HJ161410LP	16.00	14.00	10.00	14R1513	14.75	12.88

Alternative inner panel options also available.

Type 12 Mild Steel Junction Box *1414 PH Series*

Continuous Hinge Door with Clamps

Mild Steel Enclosures (Type 12, 4) Junction Boxes


 Quick Link: hammfg.com/1414PH

Application

- Designed for use as instrument enclosures, electric, hydraulic or pneumatic control housings, electrical junction boxes or terminal wiring enclosures.
- Provides a degree of protection from falling dirt, dust, oil and water.

Standards

- UL 508A Type 12, 13
- CSA Type 12, 13
- Complies with
 - NEMA Type 12 and 13
 - IEC 60529, IP54

Construction

- Body formed from 16 gauge or 14 gauge steel. Covers are formed from 14 gauge steel.
- Smooth, continuously welded seams without knockouts, cutouts or holes.
- Welded brackets provide for enclosure mounting.
- Continuously hinged cover is secured with stainless steel clamps and plated steel screws.
- Seamless poured-in place gasket.
- Models larger than 4" x 4" include a removable 14 gauge inner panel.
- Internal threaded weld studs are provided for mounting inner panels.
- A bonding stud is provided on the door and a grounding stud is provided in the enclosure.

Finish

- Cover and enclosure are phosphatized and finished in ANSI 61 gray recoatable powder coating.
- Removable inner panel is finished in white powder coating.

Accessories

- Additional Inner Panels...*See Page 294*
- Terminal Kit Assemblies...*See Page 302*
- Swing Panel Kit...*See Page 302*
- Door Clamping Hardware...*See Page 282*
- Junction Box Quick Release Clamp...*See Page 282*
- Climate Control...*See Page 244*
- Junction Box Padlock Kit...*See Page 282*
- General Accessories...*See Page 281*

Part No.	Enclosure			Panel	
	H	W	D	H	W
1414PHA	4.00	4.00	3.00	no panel	
1414PHC	6.00	4.00	3.00	4.88	2.88
1414PHG	8.00	6.00	3.50	6.75	4.88
1414PHRG	6.00	8.00	3.50	4.88	6.75
1414PHA4	4.00	4.00	4.00	no panel	
1414PHC4	6.00	4.00	4.00	4.88	2.88
1414PHE	6.00	6.00	4.00	4.88	4.88
1414PHH4	8.00	8.00	4.00	6.75	6.88
1414PHI	10.00	8.00	4.00	8.75	6.88
1414PHRI	8.00	10.00	4.00	6.88	8.75
1414PHKC4	12.00	6.00	4.00	10.75	4.88
1414PHK	12.00	10.00	5.00	10.75	8.88
1414PHRK	10.00	12.00	5.00	8.88	10.75
1414PHG6	8.00	6.00	6.00	6.75	4.88
1414PHI6	10.00	8.00	6.00	8.75	6.88
1414PHJ6	10.00	10.00	6.00	8.75	8.88
1414PHL6	12.00	12.00	6.00	10.75	10.88
1414PHMH6	14.00	8.00	6.00	12.75	6.88
1414PHM6	14.00	12.00	6.00	12.75	10.88
1414PHRM6	12.00	14.00	6.00	10.88	12.75
1414PHN6	16.00	10.00	6.00	14.75	8.88
1414PHO6	16.00	14.00	6.00	14.75	12.88
1414PHRO6	14.00	16.00	6.00	12.88	14.75
1414PHK8	12.00	10.00	8.00	10.75	8.88
1414PHM8	14.00	12.00	8.00	12.75	10.88
1414PHO8	16.00	14.00	8.00	14.75	12.88
1414PHO10	16.00	14.00	10.00	14.75	12.88

Type 4 Mild Steel Junction Box *1414 N4 PH Series*

Continuous Hinge Door with Clamps



Quick Link: hammfg.com/1414N4PH

Application

- Designed for use as instrument enclosures, electric, hydraulic or pneumatic control housings, electrical junction boxes or terminal wiring enclosures.
- Provides protection where equipment may be hosed down or otherwise be very wet, or in outdoor applications for full weather protection.

Standards

- UL 508A Type 3R, 4, 12 and 13
- CSA Type 3R, 4, 12 and 13
- Complies with
 - NEMA Type 3R, 4, 12 and 13
 - IEC 60529, IP66

Construction

- Body formed from 16 or 14 gauge steel. Covers are formed from 14 gauge steel.
- Smooth, continuously welded seams without knockouts, cutouts or holes.
- Welded brackets provide for enclosure mounting.
- Continuous hinged cover is secured with stainless steel clamps and screws.
- Stainless steel continuous hinge on door may be removed by pulling the stainless steel hinge pin.
- Seamless poured-in place gasket.
- All models larger than 4" x 4" include a removable 14 gauge inner panel.
- Internal threaded weld studs are provided for mounting inner panels.
- A bonding stud is provided on the door and a grounding stud is provided in the enclosure.

Finish

- Cover and enclosure are phosphatized, finished in recoatable smooth ANSI 61 gray powder coating.
- Removable inner panel is finished in white powder coating.

Accessories

- Additional Inner Panels...*See Page 294*
- Terminal Kit Assemblies...*See Page 302*
- Swing Panel Kit...*See Page 302*
- Door Clamping Hardware...*See Page 282*
- Junction Box Quick Release Clamp...*See Page 282*
- Junction Box Padlock Kit...*See Page 282*
- Climate Control...*See Page 244*
- General Accessories...*See Page 281*

Part No.	Enclosure			Panel	
	H	W	D	H	W
1414N4PHA	4.00	4.00	3.00	no panel	
1414N4PHC	6.00	4.00	3.00	4.88	2.88
1414N4PHG	8.00	6.00	3.50	6.75	4.88
1414N4PHE	6.00	6.00	4.00	4.88	4.88
1414N4PHI	10.00	8.00	4.00	8.75	6.88
1414N4PHI6	10.00	8.00	6.00	8.75	6.88
1414N4PHK	12.00	10.00	5.00	10.75	8.88
1414N4PHL6	12.00	12.00	6.00	10.75	10.88
1414N4PHM6	14.00	12.00	6.00	12.75	10.88
1414N4PHO6	16.00	14.00	6.00	14.75	12.88
1414N4PHM8	14.00	12.00	8.00	12.75	10.88
1414N4PHO10	16.00	14.00	10.00	14.75	12.88

Technical references and CAD downloads available at www.hammondmfg.com

All dimensions in inches unless specified otherwise

Quality Products. Service Excellence.

Type 4, 12 Mild Steel Junction Box *HJ H Series*

Continuous Hinge Door with Clamps



Finish

- Cover and enclosure are phosphatized, finished in recoatable smooth ANSI 61 gray powder coating.

Accessories

- Additional Inner Panels...*See Page 294*
- Terminal Kit Assemblies...*See Page 302*
- Swing Panel Kit...*See Page 302*
- Door Clamping Hardware...*See Page 282*
- Junction Box Quick Release Clamp...*See Page 282*
- Junction Box Padlock Kit...*See Page 282*
- Climate Control...*See Page 244*
- General Accessories...*See Page 281*

Part No.	Enclosure			Optional Mounting Panel		
	H	W	D	Part No.	H	W
HJ443HLP	4.00	4.00	3.00	-	-	-
HJ643HLP	6.00	4.00	3.00	14R0503	4.88	2.88
HJ863HLP	8.00	6.00	3.50	14R0705	6.75	4.88
HJ683HLP	6.00	8.00	3.50	14R0705	6.75	4.88
HJ444HLP	4.00	4.00	4.00	-	-	-
HJ644HLP	6.00	4.00	4.00	14R0503	4.88	2.88
HJ664HLP	6.00	6.00	4.00	14R0505	4.88	4.88
HJ884HLP	8.00	8.00	4.00	14R0707	6.75	6.88
HJ1084HLP	10.00	8.00	4.00	14R0907	8.75	6.88
HJ8104HLP	8.00	10.00	4.00	14R0907	8.75	6.88
HJ1264HLP	12.00	6.00	4.00	14R1105	10.75	4.88
HJ12105HLP	12.00	10.00	5.00	14R1109	10.75	8.88
HJ10125HLP	10.00	12.00	5.00	14R1109	10.75	8.88
HJ866HLP	8.00	6.00	6.00	14R0705	6.75	4.88
HJ1086HLP	10.00	8.00	6.00	14R0907	8.75	6.88
HJ10106HLP	10.00	10.00	6.00	14R0909	8.75	8.88
HJ12126HLP	12.00	12.00	6.00	14R1111	10.75	10.88
HJ1486HLP	14.00	8.00	6.00	14R1307	12.75	6.88
HJ14126HLP	14.00	12.00	6.00	14R1311	12.75	10.88
HJ12146HLP	12.00	14.00	6.00	14R1311	12.75	10.88
HJ16106HLP	16.00	10.00	6.00	14R1509	14.75	8.88
HJ16146HLP	16.00	14.00	6.00	14R1513	14.75	12.88
HJ14166HLP	14.00	16.00	6.00	14R1513	14.75	12.88
HJ12108HLP	12.00	10.00	8.00	14R1109	10.75	8.88
HJ14128HLP	14.00	12.00	8.00	14R1311	12.75	10.88
HJ16148HLP	16.00	14.00	8.00	14R1513	14.75	12.88
HJ161410HLP	16.00	14.00	10.00	14R1513	14.75	12.88

Alternative inner panel options also available.

Quick Link: hammfg.com/HJH

Application

- Designed for use as instrument enclosures, electric, hydraulic or pneumatic control housings, electrical junction boxes or terminal wiring enclosures.
- Provides protection where equipment may be hosed down or otherwise be very wet, or in outdoor applications for full weather protection.

Standards

- UL 508A Type 3R, 4, 12 and 13
- CSA Type 3R, 4, 12 and 13
- Complies with
 - NEMA Type 3R, 4, 12 and 13
 - IEC 60529, IP66

Construction

- Body formed from 16 or 14 gauge steel. Covers are formed from 14 gauge steel.
- Smooth, continuously welded seams without knockouts, cutouts or holes.
- Welded brackets provide for enclosure mounting.
- Continuous hinged cover is secured with stainless steel clamps and screws.
- Stainless steel continuous hinge on door may be removed by pulling the stainless steel hinge pin.
- Seamless poured-in place gasket.
- Internal threaded weld studs are provided for mounting inner panels.
- A bonding stud is provided on the door and a grounding stud is provided in the enclosure.

Mild Steel Enclosures (Type 12, 4) Junction Boxes

Type 12 Mild Steel Junction Box 1414 SC Series

Lift-Off Cover with Screws



Quick Link: hammfg.com/1414SC

Application

- Designed for use as instrument enclosures, electric, hydraulic or pneumatic control housings, electrical junction boxes or terminal wiring enclosures.
- Provides a degree of protection from falling dirt, dust, oil and water.

Standards

- UL 508A Type 12 and 13
- CSA Type 12 and 13
- Complies with
 - NEMA Type 12 and 13
 - IEC 60529, IP54

Construction

- Body formed from 16 gauge or 14 gauge steel. Covers are formed from 14 gauge steel.
- Smooth, continuously welded seams without knockouts, cutouts or holes.
- Welded brackets provide for enclosure mounting.
- Cover is secured with captive, plated steel screws, threaded into sealed wells.
- Oil resistant gaskets are permanently secured.
- Models larger than 4" x 4" include a removable 14 gauge inner panel.
- Internal threaded weld studs are provided for mounting inner panels.
- A bonding stud is provided on the door and a grounding stud is provided on the enclosure.

Finish

- Cover and enclosure are phosphatized and finished in ANSI 61 gray recoatable powder coating.
- Removable inner panel is finished in white powder coating.

Accessories

- Additional Inner Panels...*See Page 294*
- Terminal Kit Assemblies...*See Page 302*
- Climate Control...*See Page 244*
- General Accessories...*See Page 281*

Part No.	Enclosure			Panel	
	H	W	D	H	W
1414SCA	4.00	4.00	3.00	no panel	
1414SCC	6.00	4.00	3.00	4.87	2.87
1414SCG	8.00	6.00	3.50	6.75	4.87
1414SCE	6.00	6.00	4.00	4.87	4.87
1414SCI	10.00	8.00	4.00	8.75	6.87
1414SCK	12.00	10.00	5.00	10.75	8.87
1414SCM6	14.00	12.00	6.00	12.75	10.87
1414SCO6	16.00	14.00	6.00	14.75	12.87
1414SCM8	14.00	12.00	8.00	12.75	10.87
1414SCO10	16.00	14.00	10.00	14.75	12.87

Type 12 Mild Steel Junction Box 1436/1438 Series

Lift-Off Cover with Screws



Standard Depth Series (1436)

Part No.	Enclosure		
	H	W	D
1436A ¹	3.50	3.25	2.75
1436B ¹	5.75	3.25	2.75
1436C ¹	8.00	3.25	2.75
1436D ¹	10.25	3.25	2.75
1436F	7.25	6.25	3.00
1436H	9.50	6.25	3.00
1436K	9.50	8.50	3.00
1436O	11.75	8.50	3.00
1436S	11.75	10.75	3.00
1436V	14.00	10.75	3.00

¹ Not hinged

Extra Deep Series (1438)

Part No.	Enclosure		
	H	W	D
1438A ¹	4.00	4.00	4.75
1438B	6.00	4.00	4.75
1438C	8.00	4.00	4.75
1438D	10.00	4.00	4.75
1438F	7.25	6.25	4.75
1438H	9.50	6.25	4.75
1438K	9.50	8.50	4.75
1438O	11.75	8.50	4.75
1438S	11.75	10.75	4.75
1438V	14.00	10.75	4.75

¹ Not hinged

Mild Steel Enclosures (Type 12, 4) Junction Boxes

Quick Link: hammfg.com/1436-8

Application

- Designed for use as instrument enclosures, electrical junction boxes or terminal wiring enclosures.
- Provides a degree of protection from falling dirt, dust, oil and water.

Standards

- UL 508A Type 12 and 13
- CSA Type 12 and 13
- Complies with
 - NEMA Type 12 and 13
 - IEC 60529, IP54

Construction

- Formed from 14 gauge steel.
- Smooth, continuously welded seams without knockouts, cutouts or holes.
- Welded brackets provide for enclosure mounting.
- Lift off cover is secured with captive, plated steel screws, and supported on internal hinges except as noted on charts at bottom and right.
- Cover screws fasten into threaded, sealed wells.
- Oil resistant gaskets are permanently secured.
- A bonding stud is provided on the door and a grounding stud is provided on the enclosure.

Finish

- Cover and enclosure are phosphatized and finished in ANSI 61 gray recoatable powder coating.

Accessories

- General Accessories...See Page 281

Technical references and CAD downloads available at www.hammondmfg.com

All dimensions in inches unless specified otherwise

Type 12 Mild Steel Wallmount Enclosure 1418J Series

Continuous Hinge Door with Screws



Quick Link: hammfg.com/1418J

Application

- Designed to house electrical, electronic, hydraulic or pneumatic controls and instruments.
- Provides a degree of protection from falling dirt, dust, oil and water.

Standards

- UL 508A Type 12
- Complies with
 - NEMA Type 12
 - EC 60529, IP54

Construction

- Formed from 14 gauge steel.
- Smooth, continuously welded seams without knockouts, cutouts or holes.
- Door and body stiffeners are provided in the larger enclosures for extra rigidity.
- Welded brackets provide for enclosure mounting.
- Continuously hinged cover is secured with plated screws, threaded into sealed wells.
- Oil resistant gaskets are permanently secured.
- A removable 12 gauge inner panel is included.
- Collar studs are provided for mounting inner panels.
- A bonding stud is provided on the door and a grounding stud is provided on the enclosure.
- A literature pocket is provided for the inside of the door.

Finish

- Cover and enclosure are phosphatized and finished in ANSI 61 gray recoatable powder coating.
- Removable inner panel is finished in white powder coating.

Accessories

- Additional Inner Panels...*See Page 295*
- Swing Panel Kit...*See Page 302*
- Climate Control...*See Page 244*
- General Accessories...*See Page 281*

Part No.	Enclosure			Panel	
	H	W	D	H	W
1418JB7	16.00	12.00	7.00	13.00	9.00
1418JC7	20.00	16.00	7.00	17.00	13.00
1418JD7	20.00	20.00	7.00	17.00	17.00
1418JE7	24.00	20.00	7.00	21.00	17.00
1418JJ7	24.00	24.00	7.00	21.00	21.00
1418JF7	30.00	20.00	7.00	27.00	17.00
1418JK7	30.00	24.00	7.00	27.00	21.00
1418JL7	36.00	24.00	7.00	33.00	21.00
1418JC9	20.00	16.00	9.00	17.00	13.00
1418JD9	20.00	20.00	9.00	17.00	17.00
1418JE9	24.00	20.00	9.00	21.00	17.00
1418JJ9	24.00	24.00	9.00	21.00	21.00
1418JK9	30.00	24.00	9.00	27.00	21.00
1418JF9	30.00	20.00	9.00	27.00	17.00
1418JM9	36.00	30.00	9.00	33.00	27.00
1418JL9	36.00	24.00	9.00	33.00	21.00
1418JO9	42.00	30.00	9.00	39.00	27.00
1418JP9	42.00	36.00	9.00	39.00	33.00
1418JJ11	24.00	24.00	11.00	21.00	21.00
1418JL11	36.00	24.00	11.00	33.00	21.00
1418JS11	48.00	36.00	11.00	45.00	33.00
1418JK13	30.00	24.00	13.00	27.00	21.00
1418JM13	36.00	30.00	13.00	33.00	27.00

Type 4 Mild Steel Wallmount Enclosure *Eclipse Series*

Hinge Door with Quarter Turn/Handle



Quick Link: hammfg.com/EN4SD

Application

- Designed to enclose electrical and/or electronic equipment and protect against harsh, industrial environments for wallmount applications.
- Impressive styling features like hidden hinges, attractive latching systems make the Eclipse a suitable addition to any high-tech equipment installation.
- A wide range of sizes and practical accessories make this product line a complete package.

Standards

- UL 508A Type 3R, 4, and 12
- CSA Type 3R, 4, and 12
 - Mounting foot kit required to maintain UL/CSA external mounting requirements.
- Complies with
 - IEC 60529, IP66
 - NEMA Type 3R, 4, and 12

Construction

- Formed 14 (24x24" and larger) or 16 (24x20" and smaller) gauge steel.
- Smooth, continuously welded seams ground smooth.
- Door stiffeners are provided where required for increased strength and rigidity - designed to also permit additional mounting options.
- Formed lip on enclosure to exclude flowing liquids and contaminants.
- Door latching: Type A has slotted quarter turns, Type B has handle with 3 point latching, Type C has handle with 3 point latching plus additional quarter turns top and bottom.

- Doors may be easily removed for modifications and are interchangeable.
- Seamless poured-in place gasket.
- Collar studs provided for mounting inner panel.
- Includes hardware kit with panel mounting nuts and sealing washers for wall mounting holes.
- Bonding stud provided on door and grounding stud installed in enclosure.
- Hinges are constructed from 304 stainless steel.
- Hinge pins are stainless steel.
- Quarter turn latch and multi-point handle (key lockable) are zinc diecast with black epoxy finish.
- Door alignment guide provided on 36" wide enclosures.
- Door swing can be reversed - requires ordering adapter kit EHLLSAK (for EN4SD72* enclosures, 2 adapter kits required).

Finish

- Cover and enclosure are phosphatized and finished with a recoatable powder inside and out with choice of ANSI 61 smooth Gray (GY) or RAL7035 textured light gray (LG).

Accessories

- Additional Inner Panels...*See Page 296*
- Swing Panel...*See Page 304*
- Swing Frame...*See Page 305*
- Eclipse Rack Panel...*See Page 305*
- DIN Rail Mounting Kit...*See Page 290*
- DIN Rails...*See Page 290*
- Door Stop Kit...*See Page 320*
- Mounting Foot Kit...*See Page 291*
- Rear Hole Plugs...*See Page 291*
- Drip Shield Kit...*See Page 319*
- Quarter Turn Inserts and Keys...*See Page 287*
- Quarter Turn Assemblies...*See Page 287*
- Padlock Adaptor...*See Page 286*
- Handles...*See Page 290*
- Replacement Hinge Pins...*See Page 288*
- Window Kits...*See Page 308*
- Climate Control...*See Page 244*
- Lighting...*See Page 312*
- General Accessories...*See Page 281*

ANSI 61 Gray Part No.	RAL 7035 Light Gray Part No.	Enclosure			Latch Type	Optional Inner Panel		
		H	W	D		Part No.	H	W
EN4SD12106GY	EN4SD12106LG	12.00	10.00	6.00	A	EP1210	10.20	8.20
EN4SD12126GY	EN4SD12126LG	12.00	12.00	6.00	A	EP1212	10.20	10.20
EN4SD12246GY	EN4SD12246LG	12.00	24.00	6.00	A	EP1224	10.20	22.20
EN4SD16126GY	EN4SD16126LG	16.00	12.00	6.00	A	EP1612	14.20	10.20
EN4SD16166GY	EN4SD16166LG	16.00	16.00	6.00	A	EP1616	14.20	14.20
EN4SD16206GY	EN4SD16206LG	16.00	20.00	6.00	A	EP1620	14.20	18.20
EN4SD20126GY	EN4SD20126LG	20.00	12.00	6.00	A	EP2012	18.20	10.20
EN4SD20166GY	EN4SD20166LG	20.00	16.00	6.00	A	EP2016	18.20	14.20
EN4SD20206GY	EN4SD20206LG	20.00	20.00	6.00	A	EP2020	18.20	18.20
EN4SD20246GY	EN4SD20246LG	20.00	24.00	6.00	A	EP2024	18.20	10.20

Technical references and CAD downloads available at www.hammondmfg.com

All dimensions in inches unless specified otherwise

Quality Products. Service Excellence.

© Hammond Manufacturing | Canada: 519.822.2960 or 905.456.3770 | USA: 716.630.7090 | Data Subject to change without notice

Distributed by Cross Automation | +1 (262) 252-1600 | sales@grossautomation.com

Type 4 Mild Steel Wallmount Enclosure *Eclipse Series*

Hinge Door with Quarter Turn/Handle

ANSI 61 Gray Part No.	RAL 7035 Light Gray Part No.	Enclosure			Latch Type	Optional Inner Panel		
		H	W	D		Part No.	H	W
EN4SD24126GY	EN4SD24126LG	24.00	12.00	6.00	A	EP2412	22.20	10.20
EN4SD24166GY	EN4SD24166LG	24.00	16.00	6.00	A	EP2416	22.20	14.20
EN4SD24206GY	EN4SD24206LG	24.00	20.00	6.00	A	EP2420	22.20	18.20
EN4SD24246GY	EN4SD24246LG	24.00	24.00	6.00	A	EP2424	22.20	22.20
EN4SD30166GY	EN4SD30166LG	30.00	16.00	6.00	A	EP3016	28.20	14.20
EN4SD30206GY	EN4SD30206LG	30.00	20.00	6.00	A	EP3020	28.20	18.20
EN4SD30246GY	EN4SD30246LG	30.00	24.00	6.00	A	EP3024	28.20	22.20
EN4SD36246GY	EN4SD36246LG	36.00	24.00	6.00	A	EP3624	34.20	22.20
EN4SD36306GY	EN4SD36306LG	36.00	30.00	6.00	A	EP3630	34.20	28.20
EN4SD12248GY	EN4SD12248LG	12.00	24.00	8.00	A	EP1224	10.20	22.20
EN4SD16128GY	EN4SD16128LG	16.00	12.00	8.00	A	EP1612	14.20	10.20
EN4SD16168GY	EN4SD16168LG	16.00	16.00	8.00	A	EP1616	14.20	14.20
EN4SD16208GY	EN4SD16208LG	16.00	20.00	8.00	A	EP1620	14.20	18.20
EN4SD20128GY	EN4SD20128LG	20.00	12.00	8.00	A	EP2012	18.20	10.20
EN4SD20168GY	EN4SD20168LG	20.00	16.00	8.00	A	EP2016	18.20	14.20
EN4SD20208GY	EN4SD20208LG	20.00	20.00	8.00	A	EP2020	18.20	18.20
EN4SD20248GY	EN4SD20248LG	20.00	24.00	8.00	A	EP2024	18.20	22.20
EN4SD24128GY	EN4SD24128LG	24.00	12.00	8.00	A	EP2412	22.20	10.20
EN4SD24168GY	EN4SD24168LG	24.00	16.00	8.00	A	EP2416	22.20	14.20
EN4SD24208GY	EN4SD24208LG	24.00	20.00	8.00	A	EP2420	22.20	18.20
EN4SD24248GY	EN4SD24248LG	24.00	24.00	8.00	A	EP2424	22.20	22.20
EN4SD24308GY	EN4SD24308LG	24.00	30.00	8.00	A	EP2430	22.20	28.20
EN4SD30128GY	EN4SD30128LG	30.00	12.00	8.00	A	EP3012	28.20	10.20
EN4SD30168GY	EN4SD30168LG	30.00	16.00	8.00	A	EP3016	28.20	14.20
EN4SD30208GY	EN4SD30208LG	30.00	20.00	8.00	A	EP3020	28.20	18.20
EN4SD30248GY	EN4SD30248LG	30.00	24.00	8.00	A	EP3024	28.20	22.20
EN4SD30308GY	EN4SD30308LG	30.00	30.00	8.00	A	EP3030	28.20	28.20
EN4SD30368GY	EN4SD30368LG	30.00	36.00	8.00	A	EP3036	28.20	34.20
EN4SD36248GY	EN4SD36248LG	36.00	24.00	8.00	A	EP3624	34.20	22.20
EN4SD36308GY	EN4SD36308LG	36.00	30.00	8.00	A	EP3630	34.20	28.20
EN4SD36368GY	EN4SD36368LG	36.00	36.00	8.00	A	EP3636	34.20	34.20
EN4SD42248GY	EN4SD42248LG	42.00	24.00	8.00	B	EP4224	40.20	22.20
EN4SD42308GY	EN4SD42308LG	42.00	30.00	8.00	B	EP4230	40.20	28.20
EN4SD42368GY	EN4SD42368LG	42.00	36.00	8.00	B	EP4236	40.20	34.20
EN4SD48248GY	EN4SD48248LG	48.00	24.00	8.00	B	EP4824	46.20	22.20
EN4SD48308GY	EN4SD48308LG	48.00	30.00	8.00	B	EP4830	46.20	28.20
EN4SD48368GY	EN4SD48368LG	48.00	36.00	8.00	B	EP4836	46.20	34.20
EN4SD60368GY	EN4SD60368LG	60.00	36.00	8.00	B	EP6036	58.20	34.20
EN4SD161210GY	EN4SD161210LG	16.00	12.00	10.00	A	EP1612	14.20	10.20
EN4SD161610GY	EN4SD161610LG	16.00	16.00	10.00	A	EP1616	14.20	14.20
EN4SD162010GY	EN4SD162010LG	16.00	20.00	10.00	A	EP1620	14.20	18.20
EN4SD201610GY	EN4SD201610LG	20.00	16.00	10.00	A	EP2016	18.20	14.20
EN4SD202010GY	EN4SD202010LG	20.00	20.00	10.00	A	EP2020	18.20	18.20
EN4SD202410GY	EN4SD202410LG	20.00	24.00	10.00	A	EP2024	18.20	22.20
EN4SD241210GY	EN4SD241210LG	24.00	12.00	10.00	A	EP2412	22.20	10.20
EN4SD241610GY	EN4SD241610LG	24.00	16.00	10.00	A	EP2416	22.20	14.20
EN4SD242010GY	EN4SD242010LG	24.00	20.00	10.00	A	EP2420	22.20	18.20
EN4SD242410GY	EN4SD242410LG	24.00	24.00	10.00	A	EP2424	22.20	22.20
EN4SD243010GY	EN4SD243010LG	24.00	30.00	10.00	A	EP2430	22.20	28.20
EN4SD302010GY	EN4SD302010LG	30.00	20.00	10.00	A	EP3020	28.20	18.20
EN4SD302410GY	EN4SD302410LG	30.00	24.00	10.00	A	EP3024	28.20	22.20

Mild Steel Enclosures (Type 12, 4) Wallmount Enclosures

 Technical references and CAD downloads available at www.hammondmfg.com

All dimensions in inches unless specified otherwise

Quality Products. Service Excellence.

Type 4 Mild Steel Wallmount Enclosure *Eclipse Series*

Hinge Door with Quarter Turn/Handle

Mild Steel Enclosures (Type 12, 4) Wallmount Enclosures

ANSI 61 Gray Part No.	RAL 7035 Light Gray Part No.	Enclosure			Latch Type	Optional Inner Panel		
		H	W	D		Part No.	H	W
EN4SD303010GY	EN4SD303010LG	30.00	30.00	10.00	A	EP3030	28.20	28.20
EN4SD362410GY	EN4SD362410LG	36.00	24.00	10.00	A	EP3624	34.20	22.20
EN4SD363010GY	EN4SD363010LG	36.00	30.00	10.00	A	EP3630	34.20	28.20
EN4SD363610GY	EN4SD363610LG	36.00	36.00	10.00	A	EP3636	34.20	34.20
EN4SD422410GY	EN4SD422410LG	42.00	24.00	10.00	B	EP4224	40.20	22.20
EN4SD423010GY	EN4SD423010LG	42.00	30.00	10.00	B	EP4230	40.20	28.20
EN4SD423610GY	EN4SD423610LG	42.00	36.00	10.00	B	EP4236	40.20	34.20
EN4SD482410GY	EN4SD482410LG	48.00	24.00	10.00	B	EP4824	46.20	22.20
EN4SD483010GY	EN4SD483010LG	48.00	30.00	10.00	B	EP4830	46.20	28.20
EN4SD483610GY	EN4SD483610LG	48.00	36.00	10.00	B	EP4836	46.20	34.20
EN4SD603610GY	EN4SD603610LG	60.00	36.00	10.00	B	EP6036	58.20	34.20
EN4SD201612GY	EN4SD201612LG	20.00	16.00	12.00	A	EP2016	18.20	14.20
EN4SD202012GY	EN4SD202012LG	20.00	20.00	12.00	A	EP2020	18.20	18.20
EN4SD242012GY	EN4SD242012LG	24.00	20.00	12.00	A	EP2420	22.20	18.20
EN4SD242412GY	EN4SD242412LG	24.00	24.00	12.00	A	EP2424	22.20	22.20
EN4SD243012GY	EN4SD243012LG	24.00	30.00	12.00	A	EP2430	22.20	28.20
EN4SD302412GY	EN4SD302412LG	30.00	24.00	12.00	A	EP3024	28.20	22.20
EN4SD303012GY	EN4SD303012LG	30.00	30.00	12.00	A	EP3030	28.20	28.20
EN4SD362412GY	EN4SD362412LG	36.00	24.00	12.00	A	EP3624	34.20	22.20
EN4SD363012GY	EN4SD363012LG	36.00	30.00	12.00	A	EP3630	34.20	28.20
EN4SD363612GY	EN4SD363612LG	36.00	36.00	12.00	A	EP3636	34.20	34.20
EN4SD422412GY	EN4SD422412LG	42.00	24.00	12.00	B	EP4224	40.20	22.20
EN4SD423012GY	EN4SD423012LG	42.00	30.00	12.00	B	EP4230	40.20	28.20
EN4SD423612GY	EN4SD423612LG	42.00	36.00	12.00	B	EP4236	40.20	34.20
EN4SD482412GY	EN4SD482412LG	48.00	24.00	12.00	B	EP4824	46.20	22.20
EN4SD483612GY	EN4SD483612LG	48.00	36.00	12.00	B	EP4836	46.20	34.20
EN4SD603612GY	EN4SD603612LG	60.00	36.00	12.00	B	EP6036	58.20	34.20
EN4SD723012GY	EN4SD723012LG	72.00	30.00	12.00	C	EP7230	70.20	28.20
EN4SD723612GY	EN4SD723612LG	72.00	36.00	12.00	C	EP7236	70.20	34.20
EN4SD242016GY	EN4SD242016LG	24.00	20.00	16.00	A	EP2420	22.20	18.20
EN4SD242416GY	EN4SD242416LG	24.00	24.00	16.00	A	EP2424	22.20	22.20
EN4SD302416GY	EN4SD302416LG	30.00	24.00	16.00	A	EP3024	28.20	22.20
EN4SD362416GY	EN4SD362416LG	36.00	24.00	16.00	A	EP3624	34.20	22.20
EN4SD422416GY	EN4SD422416LG	42.00	24.00	16.00	B	EP4224	40.20	22.20
EN4SD363016GY	EN4SD363016LG	36.00	30.00	16.00	A	EP3630	34.20	28.20
EN4SD363616GY	EN4SD363616LG	36.00	36.00	16.00	A	EP3636	34.20	34.20
EN4SD423016GY	EN4SD423016LG	42.00	30.00	16.00	B	EP4230	40.20	28.20
EN4SD423616GY	EN4SD423616LG	42.00	36.00	16.00	B	EP4236	40.20	34.20
EN4SD483016GY	EN4SD483016LG	48.00	30.00	16.00	B	EP4830	46.20	28.20
EN4SD483616GY	EN4SD483616LG	48.00	36.00	16.00	B	EP4836	46.20	34.20
EN4SD603616GY	EN4SD603616LG	60.00	36.00	16.00	B	EP6036	58.20	34.20
EN4SD723016GY	EN4SD723016LG	72.00	30.00	16.00	C	EP7230	70.20	28.20
EN4SD723616GY	EN4SD723616LG	72.00	36.00	16.00	C	EP7236	70.20	34.20
EN4SD242420GY	EN4SD242420LG	24.00	24.00	20.00	A	EP2424	22.20	22.20
EN4SD302420GY	EN4SD302420LG	30.00	24.00	20.00	A	EP3024	28.20	22.20
EN4SD363020GY	EN4SD363020LG	36.00	30.00	20.00	A	EP3630	34.20	28.20
EN4SD483620GY	EN4SD483620LG	48.00	36.00	20.00	B	EP4836	46.20	34.20
EN4SD603620GY	EN4SD603620LG	60.00	36.00	20.00	B	EP6036	58.20	34.20
EN4SD723020GY	EN4SD723020LG	72.00	30.00	20.00	C	EP7230	70.20	28.20
EN4SD302424GY	EN4SD302424LG	30.00	24.00	24.00	A	EP3024	28.20	22.20
EN4SD723024GY	EN4SD723024LG	72.00	30.00	24.00	C	EP7230	70.20	28.20

Alternative inner panel options also available.

 Technical references and CAD downloads available at www.hammondmfg.com

All dimensions in inches unless specified otherwise

Quality Products. Service Excellence.

Type 12 Mild Steel Two Door Wallmount Enclosure *Eclipse Series*

Hinge Door with Handle



Quick Link: hammfg.com/EN4TD

Application

- Designed to enclose electrical and/or electronic equipment and protect against harsh, industrial environments for wallmount applications.
- Impressive styling features like hidden hinges, attractive latching systems make the Eclipse a suitable addition to any high-tech equipment installation.
- A wide range of sizes and practical accessories make this product line a complete package.

Standards

- UL 508A Type 12, 3R unless marked¹
- CSA Type 12, 3R
- Complies with
 - NEMA 12, 3R
 - IEC 60529, IP54

Construction

- Formed 14 gauge steel.
- Smooth, continuously welded seams ground smooth.
- Door stiffeners are provided for increased strength and rigidity also designed to permit additional mounting options.

- Formed lip on enclosure to exclude flowing liquids and contaminants.
- Doors may be easily removed for modifications and are interchangeable.
- Oil resistant gaskets are permanently secured.
- Collar studs provided for mounting inner panel.
- Includes hardware kit with panel mounting nuts and sealing washers for wall mounting holes.
- Bonding stud provided on door and grounding stud installed in enclosure.
- Doors are secured with a three point key lockable handle.
- Hinges are constructed from 304 stainless steel.
- Key lockable handle is zinc diecast with black epoxy finish.
- Hinge pins are stainless steel.
- Door alignment guides provided on all doors.

Finish

- Cover and enclosure are phosphatized and finished with a recoatable powder inside and out with choice of ANSI 61 smooth Gray (GY) or RAL7035 textured light gray (LG).

Accessories

- Additional Inner Panels...*See Page 296*
- DIN Rail Mounting Kit...*See Page 290*
- DIN Rails...*See Page 290*
- Door Stop Kit...*See Page 320*
- Mounting Foot Kit...*See Page 291*
- Rear Hole Plugs...*See Page 291*
- Drip Shield Kit...*See Page 319*
- Handles...*See Page 290*
- Replacement Hinge Pins...*See Page 288*
- Window Kits...*See Page 308*
- Climate Control...*See Page 244*
- Lighting...*See Page 312*
- General Accessories...*See Page 281*

ANSI 61 Gray		RAL7035 Light Gray		Overall Dimensions			Optional Inner. Panel		
Part No.	Part No.	H	W	D	Part No.	H	W		
EN4TD24428GY	EN4TD24428LG	24.00	42.00	8.00	EP2442	22.20	40.20		
EN4TD24488GY	EN4TD24488LG	24.00	48.00	8.00	EP2448	22.20	46.20		
EN4TD30488GY	EN4TD30488LG	30.00	48.00	8.00	EP3048	28.20	46.20		
EN4TD244210GY	EN4TD244210LG	24.00	42.00	10.00	EP2442	22.20	40.20		
EN4TD304210GY	EN4TD304210LG	30.00	42.00	10.00	EP3042	28.20	40.20		
EN4TD304810GY	EN4TD304810LG	30.00	48.00	10.00	EP3048	28.20	46.20		
EN4TD306010GY	EN4TD306010LG	30.00	60.00	10.00	EP3060	28.20	58.20		
EN4TD306012GY	EN4TD306012LG	30.00	60.00	12.00	EP3060	28.20	58.20		
EN4TD364212GY	EN4TD364212LG	36.00	42.00	12.00	EP3642	34.20	42.20		
EN4TD364812GY	EN4TD364812LG	36.00	48.00	12.00	EP3648	34.20	46.20		
EN4TD366012GY	EN4TD366012LG	36.00	60.00	12.00	EP3660	34.20	58.20		
EN4TD484812GY ¹	EN4TD484812LG ¹	48.00	48.00	12.00	EP4848	46.20	46.20		

¹ Approved to CSA/CSAus Type 12, 3R only. Alternative inner panel options also available.

Technical references and CAD downloads available at www.hammondmfg.com

All dimensions in inches unless specified otherwise

Quality Products. Service Excellence.

Type 4 Mild Steel Wallmount Enclosure w/ Window *Eclipse Series*

Hinge Door with Quarter Turn



Quick Link: hammfg.com/EN4SDW

Application

- Designed to enclose electrical and/or electronic equipment in wallmount applications where viewing of component operation is necessary while maintaining protection ratings.
- Impressive styling features like hidden hinges, attractive latching systems make the Eclipse a suitable addition to any high-tech equipment installation.
- A wide range of sizes and practical accessories make this product line a complete package.

Standards

- UL 508A Type 3R, 4 and 12
- CSA Type 3R, 4 and 12
- Complies with
 - NEMA 3R, 4 and 12
 - IEC 60529, IP66

Construction

- Formed 14 (24x24" and larger) or 16 (24x20" and smaller) gauge steel.
- Full view UV resistant polycarbonate window allow maximum viewing area of inner panel.
- Smooth, continuously welded seams ground smooth.
- Door stiffeners are provided where required for increased strength and rigidity - designed to also permit additional mounting options.
- Formed lip on enclosure to exclude flowing liquids and contaminants.
- Door latches feature the added safety of quarter turn slot requiring use of tool for opening.
- Doors may be easily removed for modifications and are interchangeable.
- Seamless poured-in place gasket.
- Collar studs provided for mounting inner panel.
- Includes hardware kit with panel mounting nuts and sealing washers for wall mounting holes.
- Bonding stud provided on door and grounding stud installed in enclosure.
- Hinges are constructed from 304 stainless steel.
- Hinge pins are stainless steel.
- Quarter turn latches are zinc diecast with black epoxy finish.

Finish

- Cover and enclosure are phosphatized and finished with a recoatable powder inside and out with choice of ANSI 61 smooth Gray (GY) or RAL7035 textured light gray (LG).

Accessories

- Additional Inner Panels...*See Page 296*
- Swing Panel...*See Page 304*
- Swing Frame...*See Page 305*
- Eclipse Rack Panel...*See Page 305*
- DIN Rail Mounting Kit...*See Page 290*
- DIN Rails...*See Page 290*
- Door Stop Kit...*See Page 320*
- Mounting Foot Kit...*See Page 291*
- Rear Hole Plugs...*See Page 291*
- Drip Shield Kit...*See Page 319*
- Quarter Turn Assemblies...*See Page 287*
- Quarter Turn Inserts and Keys...*See Page 287*
- Padlock Adaptor...*See Page 286*
- Handles...*See Page 290*
- Replacement Hinge Pins...*See Page 288*
- Window Kits...*See Page 308*
- Climate Control...*See Page 244*
- Lighting...*See Page 312*
- General Accessories...*See Page 281*

Type 4 Mild Steel Wallmount Enclosure w/ Window *Eclipse Series*

Hinge Door with Quarter Turn

ANSI 61 Gray		RAL7035 Light Gray		Enclosure			Optional Inner Panel		
Part No.	Part No.	H	W	D	Part No.	H	W		
EN4SD16126WGY	EN4SD16126WLG	16.00	12.00	6.00	EP1612	14.20	10.20		
EN4SD20166WGY	EN4SD20166WLG	20.00	16.00	6.00	EP2016	18.20	14.20		
EN4SD20206WGY	EN4SD20206WLG	20.00	20.00	6.00	EP2020	18.20	18.20		
EN4SD24206WGY	EN4SD24206WLG	24.00	20.00	6.00	EP2420	22.20	18.20		
EN4SD24246WGY	EN4SD24246WLG	24.00	24.00	6.00	EP2424	22.20	22.20		
EN4SD16128WGY	EN4SD16128WLG	16.00	12.00	8.00	EP1612	14.20	10.20		
EN4SD20168WGY	EN4SD20168WLG	20.00	16.00	8.00	EP2016	18.20	14.20		
EN4SD20208WGY	EN4SD20208WLG	20.00	20.00	8.00	EP2020	18.20	18.20		
EN4SD24208WGY	EN4SD24208WLG	24.00	20.00	8.00	EP2420	22.20	18.20		
EN4SD24248WGY	EN4SD24248WLG	24.00	24.00	8.00	EP2424	22.20	22.20		
EN4SD30248WGY	EN4SD30248WLG	30.00	24.00	8.00	EP3024	28.20	22.20		
EN4SD202012WGY	EN4SD202012WLG	20.00	20.00	12.00	EP2020	18.20	18.20		
EN4SD242012WGY	EN4SD242012WLG	24.00	20.00	12.00	EP2420	22.20	18.20		
EN4SD242412WGY	EN4SD242412WLG	24.00	24.00	12.00	EP2424	22.20	22.20		
EN4SD302412WGY	EN4SD302412WLG	30.00	24.00	12.00	EP3024	28.20	22.20		
EN4SD242416WGY	EN4SD242416WLG	24.00	24.00	16.00	EP2424	22.20	22.20		
EN4SD242420WGY	EN4SD242420WLG	24.00	24.00	20.00	EP2424	22.20	22.20		
EN4SD302420WGY	EN4SD302420WLG	30.00	24.00	20.00	EP3024	28.20	22.20		

¹ All Window Door latch types are quarter turns. Alternative inner panel options also available.

Mild Steel Enclosures (Type 12, 4) Wallmount Enclosures

Type 4 Mild Steel Wallmount Enclosure w/ Sloped Top *ST Series*

Hinge Door with Quarter Turn



Quick Link: hammfg.com/EN4SDST

Application

- Designed to enclose electrical and/or electronic equipment and protect against harsh, industrial environments for wallmount applications.
- Sloped top prevents water from resting on top as well as providing potential for controls mounting.
- Impressive styling features like hidden hinges and attractive latching systems make the Eclipse a suitable addition to any high-tech equipment installation.
- A wide range of sizes and practical accessories make this product line a complete package.

Standards

- UL 508A Type 3R, 4 and 12
- CSA Type 3R, 4 and 12
- Complies with
 - NEMA 3R, 4 and 12
 - IEC 60529, IP66

Construction

- Formed 14 (24x24" and larger) or 16 (24x20" and smaller) gauge steel.
- Continuously welded seams ground smooth.
- Door stiffeners are provided where required for increased strength and rigidity - designed to also permit additional mounting options.
- Formed lip on enclosure to exclude flowing liquids and contaminants.
- Door latching: Type A has slotted quarter turns, Type B has handle with 3 point latching
- Doors may be easily removed for modifications and are interchangeable.
- Seamless poured-in place gasket.
- Collar studs provided for mounting inner panel.
- Includes hardware kit with panel mounting nuts and sealing washers for wall mounting holes.
- Bonding stud provided on door and grounding stud installed in enclosure.
- Hinges are finished in mild steel.
- Stainless steel hinge pins and quarter turns.

Finish

- Cover and enclosure are finished in recoatable RAL 7035 light gray textured powder coating.

Accessories

- Additional Inner Panels...*See Page 296*
- Swing Panel...*See Page 304*
- Swing Frame...*See Page 305*
- DIN Rail Mounting Kit...*See Page 290*
- DIN Rails...*See Page 290*
- Door Stop Kit...*See Page 320*
- Mounting Foot Kit...*See Page 291*
- Rear Hole Plugs...*See Page 291*
- Drip Shield Kit...*See Page 319*
- Quarter Turn Assemblies...*See Page 287*
- Quarter Turn Inserts and Keys...*See Page 287*
- Padlock Adaptor...*See Page 286*
- Handles...*See Page 290*
- Replacement Hinge Pins...*See Page 288*
- Window Kits...*See Page 308*
- Climate Control...*See Page 244*
- Lighting...*See Page 312*
- General Accessories...*See Page 281*

Mild Steel Enclosures (Type 12, 4) Wallmount Enclosures

Type 4 Mild Steel Wallmount Enclosure w/ Sloped Top *ST Series*

Hinge Door with Quarter Turn

Part No.	Enclosure				Latch Type	Optional Inner Panel		
	H1	H2	W	D		Part No.	H	W
ST12126LG	12.00	14.20	12.00	6.00	A	EP1212	10.20	10.20
ST16126LG	16.00	18.20	12.00	6.00	A	EP1612	14.20	10.20
ST20166LG	20.00	22.20	16.00	6.00	A	EP2016	18.20	14.20
ST20206LG	20.00	22.20	20.00	6.00	A	EP2020	18.20	18.20
ST16168LG	16.00	18.90	16.00	8.00	A	EP1616	14.20	14.20
ST20168LG	20.00	22.90	16.00	8.00	A	EP2016	18.20	14.20
ST20208LG	20.00	22.90	20.00	8.00	A	EP2020	18.20	18.20
ST24208LG	24.00	26.90	20.00	8.00	A	EP2420	22.20	18.20
ST24248LG	24.00	26.90	24.00	8.00	A	EP2424	22.20	22.20
ST30248LG	30.00	32.90	24.00	8.00	A	EP3024	28.20	22.20
ST30308LG	30.00	32.90	30.00	8.00	A	EP3030	28.20	28.20
ST36308LG	36.00	38.90	30.00	8.00	A	EP3630	34.20	28.20
ST242410LG	24.00	27.60	24.00	10.00	A	EP2424	22.20	22.20
ST302410LG	30.00	33.60	24.00	10.00	A	EP3024	28.20	22.20
ST363010LG	36.00	39.60	30.00	10.00	A	EP3630	34.20	28.20
ST483610LG	48.00	51.60	36.00	10.00	B	EP4836	46.20	34.20
ST242412LG	24.00	28.40	24.00	12.00	A	EP2424	22.20	22.20
ST302412LG	30.00	34.40	24.00	12.00	A	EP3024	28.20	22.20
ST363012LG	36.00	40.30	30.00	12.00	A	EP3630	34.20	28.20
ST363612LG	36.00	40.30	36.00	12.00	A	EP3636	34.20	34.20
ST483612LG	48.00	52.30	36.00	12.00	B	EP4836	46.20	34.20
ST603612LG	60.00	64.30	36.00	12.00	B	EP6036	58.20	34.20
ST363016LG	36.00	41.80	30.00	16.00	A	EP3630	34.20	28.20
ST483616LG	48.00	53.80	36.00	16.00	B	EP4836	46.20	34.20
ST302420LG	30.00	37.30	24.00	20.00	A	EP3024	28.20	22.20

Alternative inner panel options also available.

Mild Steel Enclosures (Type 12, 4) Wallmount Enclosures

Type 12 Mild Steel Wallmount Enclosure 1418 Series

Continuous Hinge Door with Clamps

Mild Steel Enclosures (Type 12, 4) Wallmount Enclosures



Quick Link: hammfg.com/1418

Application

- Designed to house electrical, electronic, hydraulic or pneumatic controls and instruments.
- Provides a degree of protection from falling dirt, dust, oil and water.

Standards

- UL 508A Type 12 and 13
- CSA Type 12 and 13
- Complies with
 - NEMA Type 12 and 13
 - IEC 60529, IP54

Construction

- Formed 14 gauge steel bodies and doors.
- Smooth, continuously welded seams without knockouts, cutouts or holes.
- Door and body stiffeners are provided in the larger enclosures for extra rigidity. Welded brackets provide for enclosure mounting.
- Formed lip on door and enclosure exclude flowing liquids and contaminants.
- Continuously hinged door may be removed by pulling the hinge pin.
- Door is secured with easily operated stainless steel clamps.
- Provision for padlocking.
- Oil resistant gaskets are permanently secured.
- A removable 12 gauge inner panel is included.
- Collar studs are provided for mounting inner panels.
- A bonding stud is provided on the door and a grounding stud is provided in the enclosure.
- A literature pocket is provided for the inside of the door.

Finish

- Cover and enclosure are finished in recoatable smooth ANSI 61 gray powder coating on the inside and outside.
- Removable inner panel is finished in white powder coating.

Accessories

- Additional Inner Panels...*See Page 295*
- Perforated Inner Panels...*See Page 299*
- Swing Panel Kit...*See Page 302*
- Door Stop Kit...*See Page 320*
- Door Clamping Hardware...*See Page 282*
- Wallmount Quick Release Clamp...*See Page 283*
- Lock kit...*See Page 285*
- Floor Stand Kit...*See Page 320*
- Enclosure Stabilizers...*See Page 322*
- Window Kits...*See Page 308*
- Climate Control...*See Page 244*
- Lighting...*See Page 312*
- General Accessories...*See Page 281*

Type 12 Mild Steel Wallmount Enclosure *1418 Series*

Continuous Hinge Door with Clamps

Part No.	Enclosure			Panel	
	H	W	D	H	W
1418A6	12.00	24.00	6.00	9.00	21.00
1418B6	16.00	12.00	6.00	13.00	9.00
1418G6	16.00	16.00	6.00	13.00	13.00
1418CR6	16.00	20.00	6.00	13.00	17.00
1418CA6	20.00	12.00	6.00	17.00	9.00
1418C6	20.00	16.00	6.00	17.00	13.00
1418D6	20.00	20.00	6.00	17.00	17.00
1418ER6	20.00	24.00	6.00	17.00	21.00
1418AR6	24.00	12.00	6.00	21.00	9.00
1418H6	24.00	16.00	6.00	21.00	13.00
1418E6	24.00	20.00	6.00	21.00	17.00
1418J6	24.00	24.00	6.00	21.00	21.00
1418FG6	30.00	16.00	6.00	27.00	13.00
1418F6	30.00	20.00	6.00	27.00	17.00
1418K6	30.00	24.00	6.00	27.00	21.00
1418L6	36.00	24.00	6.00	33.00	21.00
1418M6	36.00	30.00	6.00	33.00	27.00
1418A8	12.00	24.00	8.00	9.00	21.00
1418B8	16.00	12.00	8.00	13.00	9.00
1418G8	16.00	16.00	8.00	13.00	13.00
1418CR8	16.00	20.00	8.00	13.00	17.00
1418CA8	20.00	12.00	8.00	17.00	9.00
1418C8	20.00	16.00	8.00	17.00	13.00
1418D8	20.00	20.00	8.00	17.00	17.00
1418ER8	20.00	24.00	8.00	17.00	21.00
1418AR8	24.00	12.00	8.00	21.00	9.00
1418H8	24.00	16.00	8.00	21.00	13.00
1418E8	24.00	20.00	8.00	21.00	17.00
1418J8	24.00	24.00	8.00	21.00	21.00
1418KR8	24.00	30.00	8.00	21.00	27.00
1418KA8	30.00	12.00	8.00	27.00	9.00
1418KG8	30.00	16.00	8.00	27.00	13.00
1418F8	30.00	20.00	8.00	27.00	17.00
1418K8	30.00	24.00	8.00	27.00	21.00
1418KK8	30.00	30.00	8.00	27.00	27.00
1418MR8	30.00	36.00	8.00	27.00	33.00
1418L8	36.00	24.00	8.00	33.00	21.00
1418M8	36.00	30.00	8.00	33.00	27.00
1418LL8	36.00	36.00	8.00	33.00	33.00
1418N8	42.00	24.00	8.00	39.00	21.00
1418O8	42.00	30.00	8.00	39.00	27.00
1418P8	42.00	36.00	8.00	39.00	33.00
1418Q8	48.00	24.00	8.00	45.00	21.00
1418R8	48.00	30.00	8.00	45.00	27.00
1418S8	48.00	36.00	8.00	45.00	33.00
1418T8	60.00	36.00	8.00	57.00	33.00
1418B10	16.00	12.00	10.00	13.00	9.00
1418C10	20.00	16.00	10.00	17.00	13.00
1418D10	20.00	20.00	10.00	17.00	17.00
1418AR10	24.00	12.00	10.00	21.00	9.00
1418E10	24.00	20.00	10.00	21.00	17.00

Part No.	Enclosure			Panel	
	H	W	D	H	W
1418J10	24.00	24.00	10.00	21.00	21.00
1418F10	30.00	20.00	10.00	27.00	17.00
1418K10	30.00	24.00	10.00	27.00	21.00
1418L10	36.00	24.00	10.00	33.00	21.00
1418M10	36.00	30.00	10.00	33.00	27.00
1418O10	42.00	30.00	10.00	39.00	27.00
1418P10	42.00	36.00	10.00	39.00	33.00
1418R10	48.00	30.00	10.00	45.00	27.00
1418S10	48.00	36.00	10.00	45.00	33.00
1418T10	60.00	36.00	10.00	57.00	33.00
1418C12	20.00	16.00	12.00	17.00	13.00
1418E12	24.00	20.00	12.00	21.00	17.00
1418J12	24.00	24.00	12.00	21.00	21.00
1418K12	30.00	24.00	12.00	27.00	21.00
1418KK12	30.00	30.00	12.00	27.00	27.00
1418L12	36.00	24.00	12.00	33.00	21.00
1418M12	36.00	30.00	12.00	33.00	27.00
1418LL12	36.00	36.00	12.00	33.00	33.00
1418O12	42.00	30.00	12.00	39.00	27.00
1418P12	42.00	36.00	12.00	39.00	33.00
1418S12	48.00	36.00	12.00	45.00	33.00
1418T12	60.00	36.00	12.00	57.00	33.00
1418U12	72.00	30.00	12.00	69.00	27.00
1418V12	72.00	36.00	12.00	69.00	33.00
1418E16	24.00	20.00	16.00	21.00	17.00
1418J16	24.00	24.00	16.00	21.00	21.00
1418K16	30.00	24.00	16.00	27.00	21.00
1418M16	36.00	30.00	16.00	33.00	27.00
1418P16	42.00	36.00	16.00	39.00	33.00
1418S16	48.00	36.00	16.00	45.00	33.00
1418T16	60.00	36.00	16.00	57.00	33.00
1418U16	72.00	30.00	16.00	69.00	27.00
1418K20	30.00	24.00	20.00	27.00	21.00
1418M20	36.00	30.00	20.00	33.00	27.00
1418S20	48.00	36.00	20.00	45.00	33.00
1418T20	60.00	36.00	20.00	57.00	33.00
1418U20	72.00	30.00	20.00	69.00	27.00
1418K24	30.00	24.00	24.00	27.00	21.00
1418U24	72.00	30.00	24.00	69.00	27.00

Mild Steel Enclosures (Type 12, 4) Wallmount Enclosures

Type 4 Mild Steel Wallmount Enclosure 1418 N4 Series

Continuous Hinge Door with Clamps

Mild Steel Enclosures (Type 12, 4)

Wallmount Enclosures



Quick Link: hammfg.com/1418N4

Application

- Designed for use as instrument enclosures, electric, hydraulic or pneumatic control housings, electrical junction boxes or terminal wiring enclosures.
- Provides protection where equipment may be hosed down or otherwise be very wet, or in outdoor applications for full weather protection.

Standards

- UL 508A Type 3R, 12, 4
- CSA Type 3R, 12, 4
- Complies with
 - NEMA Type 3R, 4, 12 and 13
 - IEC 60529, IP66

Construction

- Formed 14 gauge steel bodies and doors.
- Smooth, continuously welded seams without knockouts, cutouts or holes.
- Door and body stiffeners are provided in the larger enclosures for extra rigidity. Welded brackets provide for enclosure mounting.
- Formed lip on door and enclosure exclude flowing liquids and contaminants.
- Stainless steel continuous hinge on door may be removed by pulling the stainless steel hinge pin.
- Door is secured with easily operated stainless steel clamps.
- Provision for padlocking.
- Seamless poured-in place gasket.
- A removable 12 gauge inner panel is included.
- Collar studs are provided for mounting inner panels.
- A bonding stud is provided on the door and a grounding stud is provided in the enclosure.
- A literature pocket is provided for the inside of the door.

Finish

- Cover and enclosure are finished in recoatable smooth ANSI 61 gray powder coating.
- Removable inner panel is finished in white powder coating.

Accessories

- Additional Inner Panels...*See Page 295*
- Perforated Inner Panels...*See Page 299*
- Swing Panel Kit...*See Page 302*
- Door Stop Kit...*See Page 320*
- Door Clamping Hardware...*See Page 282*
- Wallmount Quick Release Clamp...*See Page 283*
- Lock kit...*See Page 285*
- Drip Shield Kit...*See Page 319*
- Floor Stand Kit...*See Page 320*
- Window Kits...*See Page 308*
- Enclosure Stabilizers...*See Page 322*
- Climate Control...*See Page 244*
- Lighting...*See Page 312*
- General Accessories...*See Page 281*

Type 4 Mild Steel Wallmount Enclosure *1418 N4 Series*

Continuous Hinge Door with Clamps

Part No.	Enclosure			Panel	
	H	W	D	H	W
1418N4B6	16.00	12.00	6.00	13.00	9.00
1418N4G6	16.00	16.00	6.00	13.00	13.00
1418N4CR6	16.00	20.00	6.00	13.00	17.00
1418N4C6	20.00	16.00	6.00	17.00	13.00
1418N4D6	20.00	20.00	6.00	17.00	17.00
1418N4AR6	24.00	12.00	6.00	21.00	9.00
1418N4H6	24.00	16.00	6.00	21.00	13.00
1418N4E6	24.00	20.00	6.00	21.00	17.00
1418N4J6	24.00	24.00	6.00	21.00	21.00
1418N4F6	30.00	20.00	6.00	27.00	17.00
1418N4K6	30.00	24.00	6.00	27.00	21.00
1418N4L6	36.00	24.00	6.00	33.00	21.00
1418N4B8	16.00	12.00	8.00	13.00	9.00
1418N4C8	20.00	16.00	8.00	17.00	13.00
1418N4D8	20.00	20.00	8.00	17.00	17.00
1418N4ER8	20.00	24.00	8.00	17.00	21.00
1418N4E8	24.00	20.00	8.00	21.00	17.00
1418N4J8	24.00	24.00	8.00	21.00	21.00
1418N4KR8	24.00	30.00	8.00	21.00	27.00
1418N4F8	30.00	20.00	8.00	27.00	17.00
1418N4K8	30.00	24.00	8.00	27.00	21.00
1418N4KK8	30.00	30.00	8.00	27.00	27.00
1418N4L8	36.00	24.00	8.00	33.00	21.00
1418N4M8	36.00	30.00	8.00	33.00	27.00
1418N4O8	42.00	30.00	8.00	39.00	27.00
1418N4P8	42.00	36.00	8.00	39.00	33.00
1418N4S8	48.00	36.00	8.00	45.00	33.00
1418N4T8	60.00	36.00	8.00	57.00	33.00
1418N4C10	20.00	16.00	10.00	17.00	13.00
1418N4E10	24.00	20.00	10.00	21.00	17.00
1418N4K10	30.00	24.00	10.00	27.00	21.00
1418N4M10	36.00	30.00	10.00	33.00	27.00
1418N4R10	48.00	30.00	10.00	45.00	27.00
1418N4S10	48.00	36.00	10.00	45.00	33.00
1418N4T10	60.00	36.00	10.00	57.00	33.00
1418N4E12	24.00	20.00	12.00	21.00	17.00
1418N4K12	30.00	24.00	12.00	27.00	21.00
1418N4L12	36.00	24.00	12.00	33.00	21.00
1418N4M12	36.00	30.00	12.00	33.00	27.00
1418N4P12	42.00	36.00	12.00	39.00	33.00
1418N4S12	48.00	36.00	12.00	45.00	33.00
1418N4K16	30.00	24.00	16.00	27.00	21.00
1418N4M16	36.00	30.00	16.00	33.00	27.00
1418N4S16	48.00	36.00	16.00	45.00	33.00
1418N4T16	60.00	36.00	16.00	57.00	33.00

Mild Steel Enclosures (Type 12, 4) Wallmount Enclosures

Type 12 Mild Steel Two Door Wallmount Enclosure *1422 Series*

Continuous Hinge Door with Handle

Mild Steel Enclosures (Type 12, 4) Wallmount Enclosures



Inner Panel Included

Quick Link: hammfg.com/1422

Application

- Designed to house electrical, electronic, hydraulic or pneumatic controls and instruments.
- Provides a degree of protection from falling dirt, dust, oil and water.

Standards

- UL 508A Type 12
- CSA Type 12
- Complies with
 - NEMA Type 12
 - IEC 60529, IP54

Construction

- Enclosures are formed 14 gauge steel with 12 gauge steel inner panels. Exceptions are 42"x60" and 48"x48" which are formed 12 gauge steel with 10 gauge steel inner panels.
- Smooth, continuously welded seams without knockouts, cutouts or holes.
- Body stiffeners are provided in enclosures 30" high or more for extra rigidity.
- Welded brackets provide for enclosure mounting.
- Gasketed overlapping doors eliminate the need for a center post.
- Continuously hinged doors may be removed by pulling the hinge pin.
- Doors are secured with a three point latch and operated with a key locking automotive type handle.
- Latch rods are equipped with rollers for easier door closing.
- Oil resistant gaskets are permanently secured.

- A removable 10 gauge inner panel is included in enclosures as noted.
- Smaller sizes include a 12 gauge inner panel.
- Collar studs are provided for mounting inner panels.
- A grounding stud is provided in the enclosure and a bonding stud is provided on the door.
- A literature pocket is provided for the inside of the door.

Finish

- Cover and enclosure are finished in recoatable smooth ANSI 61 gray powder coating on the inside and outside.
- Removable inner panel is finished in white powder coating.

Accessories

- Additional Inner Panels...*See Page 295*
- Door Stop Kit...*See Page 320*
- Enclosure Stabilizers...*See Page 322*
- Floor Stand Kit...*See Page 320*
- Window Kits...*See Page 308*
- Climate Control...*See Page 244*
- Lighting...*See Page 312*
- General Accessories...*See Page 281*

Part No.	Enclosure			Panel	
	H	W	D	H	W
1422P8	24.00	42.00	8.00	21.00	39.00
1422PW8	24.00	48.00	8.00	21.00	45.00
1422P10	24.00	42.00	10.00	21.00	39.00
1422R10	30.00	42.00	10.00	27.00	39.00
1422RW10	30.00	48.00	10.00	27.00	45.00
1422RX10	30.00	60.00	10.00	27.00	57.00
1422UV12	36.00	42.00	12.00	33.00	39.00
1422UW12	36.00	48.00	12.00	33.00	45.00
1422UX12	36.00	60.00	12.00	33.00	57.00
1422VV12	42.00	42.00	12.00	39.00	39.00
1422VW12	42.00	48.00	12.00	39.00	45.00
1422VX12	42.13	60.06	12.69	38.00	56.00
1422WW12	48.13	48.06	12.69	44.00	44.00

Technical references and CAD downloads available at www.hammondmfg.com

All dimensions in inches unless specified otherwise

Type 4 Mild Steel Wallmount Enclosure *HWHK Series*

Hinge Door with Handle



Quick Link: hammfg.com/HWHK

Application

- Designed to enclose electrical and/or electronic equipment and protect against harsh, industrial environments for wallmount applications.
- Provides protection where equipment may be hosed down or otherwise be very wet, or in outdoor applications for full weather protection.
- Ideal for processing plants, utility, outdoor municipal or petro chemical locations where easy yet secure access is required.

Standards

- UL 508A Type 3R, 4 and 12
- CSA Type 3R, 4 and 12
- Complies with
 - NEMA 3R, 4, 12 and 13
 - IEC 60529, IP 66

Construction

- Formed 14 gauge steel bodies and doors.
- Continuously welded seams ground smooth.
- Formed lip on enclosure to exclude flowing liquids and contaminants.
- Powder coated black zinc diecast pad lockable handle with 3 point roller latching system secures door.
- Stainless steel continuous hinge on door may be removed by pulling the stainless steel hinge pin
- Seamless poured-in place gasket.
- Collar studs provided for mounting inner panel.
- Bonding stud provided on door and grounding stud installed in enclosure.

Finish

- Cover and enclosure are finished in recoatable smooth ANSI 61 gray powder coating interior and exterior.

Accessories

- Additional Inner Panels...*See Page 295*
- Perforated Inner Panels...*See Page 299*
- Swing Panel Kit...*See Page 302*
- Door Stop Kit...*See Page 320*
- Type 12/4, 4X Handle Kits...*See Page 284*
- Drip Shield Kit...*See Page 319*
- Enclosure Stabilizers...*See Page 322*
- Floor Stand Kit...*See Page 320*
- Window Kits...*See Page 308*
- Climate Control...*See Page 244*
- Lighting...*See Page 312*
- General Accessories...*See Page 281*

Part No.	Overall Dimensions			Optional Inner Panel		
	A	B	C	Part No.	H	W
HW24206GYHK	24.00	20.00	6.00	18P2117	21.00	17.00
HW24246GYHK	24.00	24.00	6.00	18P2121	21.00	21.00
HW24168GYHK	24.00	16.00	8.00	18P2113	21.00	13.00
HW24208GYHK	24.00	20.00	8.00	18P2117	21.00	17.00
HW24248GYHK	24.00	24.00	8.00	18P2121	21.00	21.00
HW24308GYHK	24.00	30.00	8.00	18P2721	27.00	21.00
HW30208GYHK	30.00	20.00	8.00	18P2717	27.00	17.00
HW30248GYHK	30.00	24.00	8.00	18P2721	27.00	21.00
HW30308GYHK	30.00	30.00	8.00	18P2727	27.00	27.00
HW36248GYHK	36.00	24.00	8.00	18P3321	33.00	21.00
HW36308GYHK	36.00	30.00	8.00	18P3327	33.00	27.00
HW42368GYHK	42.00	36.00	8.00	18P3933	39.00	33.00
HW48368GYHK	48.00	36.00	8.00	18P4533	45.00	33.00
HW242010GYHK	24.00	20.00	10.00	18P2117	21.00	17.00
HW302410GYHK	30.00	24.00	10.00	18P2721	27.00	21.00
HW362410GYHK	36.00	24.00	10.00	18P3321	33.00	21.00
HW363010GYHK	36.00	30.00	10.00	18P3327	33.00	27.00
HW423010GYHK	42.00	30.00	10.00	18P3927	39.00	27.00
HW483610GYHK	48.00	36.00	10.00	18P4533	45.00	33.00
HW242412GYHK	24.00	24.00	12.00	18P2121	21.00	21.00
HW302412GYHK	30.00	24.00	12.00	18P2721	27.00	21.00
HW363012GYHK	36.00	30.00	12.00	18P3327	33.00	27.00
HW363612GYHK	36.00	36.00	12.00	18P3333	33.00	33.00
HW423612GYHK	42.00	36.00	12.00	18P3933	39.00	33.00
HW483612GYHK	48.00	36.00	12.00	18P4533	45.00	33.00
HW603612GYHK	60.00	36.00	12.00	18P5733	57.00	33.00
HW302416GYHK	30.00	24.00	16.00	18P2721	27.00	21.00
HW363016GYHK	36.00	30.00	16.00	18P3327	33.00	27.00
HW483616GYHK	48.00	36.00	16.00	18P4533	45.00	33.00
HW603616GYHK	60.00	36.00	16.00	18P5733	57.00	33.00

Alternative inner panel options also available.

Type 4 Two Door Wallmount Enclosure *HN4 WM Series*

Continuous Hinge Door with Handle



Quick Link: hammfg.com/HN4WM

Application

- Designed to house electrical, electronic, hydraulic or pneumatic controls and instruments.
- Provides protection where equipment may be hosed down or otherwise be very wet, or in outdoor applications for full weather protection.



Construction

- Formed 12 gauge steel
- Smooth, continuously welded seams without knockouts, cutouts or holes.
- Doors are supported with heavy gauge continuous hinges.
- 3-pt padlocking door handle.
- Seamless poured-in place gasket.
- A grounding stud is provided in the enclosure and a bonding stud is provided on the door.
- Center post is removable for easy installation of the inner panel.

Standards

- UL 508A Type 3R, 4, and 12
- CSA Type 3R, 4, and 12
- Complies with
 - NEMA Type 3R, 4, 12 and 13
 - IEC 60529, IP66

Finish

- Cover and enclosure are phosphatized and finished in recoatable smooth ANSI 61 gray powder coating.
- Removable inner panel is finished in white powder coating.

Accessories

- Mechanical Interlock...*See Page 294*
- Door Stop Kit...*See Page 320*
- Barrier Kits for Type 4 Wallmount...*See Page 327*
- Type 12/4, 4X Handle Kits...*See Page 284*
- Drip Shield Kit...*See Page 319*
- Window Kits...*See Page 308*
- Climate Control...*See Page 244*
- Lighting...*See Page 312*
- General Accessories...*See Page 281*

Part Number	Enclosure			Inner Panel	
	H	W	D	H	W
HN4WM24428GY	24.00	42.00	8.00	21.00	39.00
HN4WM24488GY	24.00	48.00	8.00	21.00	45.00
HN4WM304210GY	30.00	42.00	10.00	27.00	39.00
HN4WM304810GY	30.00	48.00	10.00	27.00	45.00
HN4WM306010GY	30.00	60.00	10.00	27.00	57.00
HN4WM364212GY	36.00	42.00	12.00	33.00	39.00
HN4WM364812GY	36.00	48.00	12.00	33.00	45.00
HN4WM366012GY	36.00	60.00	12.00	33.00	57.00
HN4WM424212GY	42.00	42.00	12.00	39.00	39.00
HN4WM424812GY	42.00	48.00	12.00	39.00	45.00
HN4WM426012GY	42.00	60.00	12.00	38.00	56.00
HN4WM484812GY	48.00	48.00	12.00	44.00	44.00

Mild Steel Enclosures (Type 12, 4) Wallmount Enclosures

Type 12 Mild Steel Two Door Floormount Enclosure *1422 FM Series*

Continuous Hinge Door with Handle



Quick Link: hammfg.com/1422FM

Application

- Designed to house electrical, electronic, hydraulic or pneumatic controls and instruments.
- Provides a degree of protection from falling dirt, dust, oil and water.

Standards

- UL 508A Type 12
- CSA Type 12
- Complies with
 - NEMA Type 12
 - IEC 60529, IP54

Construction

- Enclosures are formed steel - 14 gauge (54" high), 12 gauge (60" high), or combination 10/12 gauge (72" high).
- Smooth, continuously welded seams without knockouts, cutouts or holes.
- Body stiffeners are provided in enclosures for extra rigidity.
- Heavy duty lifting eyebolts are provided with reinforced support angles.
- 12" floor stands are welded to the enclosure. (w/ feet Part No.).
- Welded brackets provide for enclosure mounting (w/o feet Part No.).
- Gasketed overlapping doors eliminate the need for a center post.
- Continuously hinged doors may be removed by pulling the hinge pin.
- Doors are secured with a three point latch and operated with a key locking, padlockable handle.
- Latch rods are equipped with rollers for easier door closing.
- Oil resistant gaskets are permanently secured.

- A removable 10 gauge inner panel is included in enclosures 60" and larger. Smaller sizes include a 12 gauge inner panel.
- Provision for light kit mounting.
- Panel supports are provided in enclosures 60" and larger for easy panel installation.
- Collar studs are provided for mounting inner panels.
- A grounding stud is provided in the enclosure for each door and a bonding stud is provided on the door.
- A literature pocket is provided for the inside of the door.

Finish

- Cover and enclosure are phosphatized and finished in recoatable smooth ANSI 61 gray powder coating.
- Removable inner panel is finished in white powder coating.

Accessories

- Additional Inner Panels...*See Page 297*
- Door Stop Kit...*See Page 320*
- Enclosure Stabilizers...*See Page 322*
- Floor Stand Kit...*See Page 320*
- Top Hat Cable Modules...*See Page 326*
- Window Kits...*See Page 308*
- Climate Control...*See Page 244*
- Lighting...*See Page 312*
- General Accessories...*See Page 281*

with Feet Part No.	w/o Feet Part No.	Enclosure			Panel	
		H	W	D	H	W
1422A8F	1422A8	54.13	42.06	8.69	50.00	38.00
1422B8F	1422B8	60.13	48.06	8.69	56.00	44.00
1422B10F	1422B10	60.13	48.06	10.69	56.00	44.00
1422D10F	1422D10	60.13	60.06	10.69	56.00	56.00
1422E10F	1422E10	72.13	60.06	10.69	68.00	56.00
1422F10F	1422F10	72.13	72.06	10.69	68.00	38.00
1422B12F	1422B12	60.13	48.06	12.69	56.00	44.00
1422D12F	1422D12	60.13	60.06	12.69	56.00	56.00
1422E12F	1422E12	72.13	60.06	12.69	68.00	56.00
1422F12F	1422F12	72.13	72.06	12.69	68.00	68.00
1422B16F	1422B16	60.13	48.06	16.69	56.00	44.00
1422D16F	1422D16	60.13	60.06	16.69	56.00	56.00
1422E16F	1422E16	72.13	60.06	16.69	68.00	56.00
1422F16F	1422F16	72.13	72.06	16.69	68.00	68.00
1422B20F	1422B20	60.13	48.06	20.69	56.00	44.00
1422E20F	1422E20	72.13	60.06	20.69	68.00	56.00
1422F20F	1422F20	72.13	72.06	20.69	68.00	68.00
1422B24F	1422B24	60.13	48.06	24.69	56.00	44.00
1422D24F	1422D24	60.13	60.06	24.69	56.00	56.00
1422E24F	1422E24	72.13	60.06	24.69	68.00	56.00
1422F24F	1422F24	72.13	72.06	24.69	68.00	68.00

Technical references and CAD downloads available at www.hammondmfg.com

All dimensions in inches unless specified otherwise

Quality Products. Service Excellence.

Type 4 Mild Steel Two Door Floormount Enclosure *1422 N4 FM Series*

Continuous Hinge Door with Clamps

Mild Steel Enclosures (Type 12, 4)

Floormount Enclosures



Quick Link: hammfg.com/1422N4FM

Application

- Designed to house electrical, electronic, hydraulic or pneumatic controls and instruments.
- Provides protection where equipment may be hosed down or otherwise be very wet, or in outdoor applications for full weather protection.

Standards

- UL 508A Type 3R, 4 and 12
- CSA Type 3R, 4 and 12
- Complies with
 - NEMA Type 3R, 4 12 and 13
 - IEC 60529, IP66

Construction

- Enclosures are formed steel - 12 gauge (60" high) or combination 10/12 gauge (72" high).
- Smooth, continuously welded seams without knockouts, cutouts or holes.
- Body stiffeners are provided in the larger enclosures for extra rigidity.
- Heavy duty lifting eyebolts are provided with reinforcing support angles.
- Center post is removable for easy installation of the inner panel.
- Formed lip on door and top of enclosure opening exclude flowing liquids and contaminants.
- Continuously hinged doors may be removed by pulling the stainless steel hinge pin.
- Doors are secured with heavy duty stainless steel clamps.
- Provision for padlocking.
- 12" floor stands are welded to the enclosure.
- Seamless poured-in place gasket.
- Provision for light kit mounting.
- A removable 10 gauge inner panel is included.
- Panel supports are provided for easy panel installation.
- Collar studs are provided for mounting inner panels.
- A bonding stud is provided on the door and a grounding stud is provided in the enclosure for each door.
- A literature pocket is provided for the inside of the door.

Finish

- Cover and enclosure are finished in recoatable smooth ANSI 61 gray powder coating.
- Removable white inner panel is finished in white powder coating.

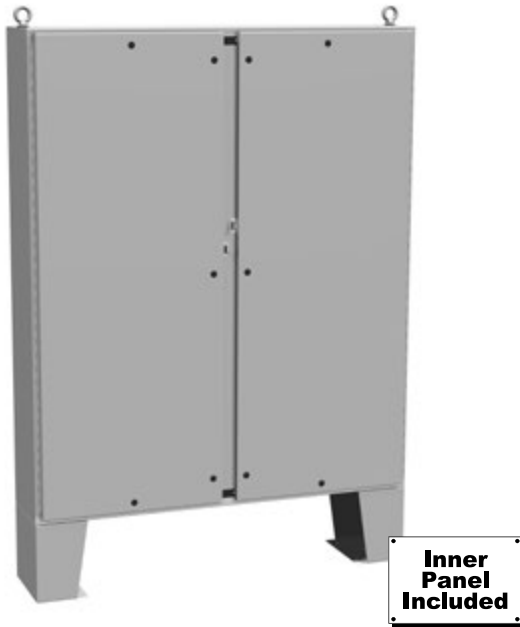
Accessories

- Additional Inner Panels...*See Page 297*
- Door Stop Kit...*See Page 320*
- Barrier Kits for Type 4 Floormount...*See Page 327*
- Drip Shield Kit...*See Page 319*
- Enclosure Stabilizers...*See Page 322*
- Climate Control...*See Page 244*
- Window Kits...*See Page 308*
- Lighting...*See Page 312*
- General Accessories...*See Page 281*

w/ Feet Part No.	Enclosure			Panel	
	H	W	D	H	W
1422N4B10F	60.13	48.06	10.69	56.00	44.00
1422N4D12F	60.13	60.06	12.69	56.00	56.00
1422N4E12F	72.13	60.06	12.69	68.00	56.00
1422N4F12F	72.13	72.06	12.69	68.00	68.00
1422N4F24F	72.13	72.06	24.69	68.00	68.00

Type 4 Mild Steel Two Door Floormount Enclosure *1422 N4 FM QT Series*

Continuous Hinge Door with Quarter Turn



Quick Link: hammfg.com/1422N4FMQT

Application

- Designed to house electrical, electronic, hydraulic or pneumatic controls and instruments.
- Provides protection where equipment may be hosed down or otherwise be very wet, or in outdoor applications for full weather protection.

Standards

- UL 508A Type 3R, 4 and 12
- CSA Type 3R, 4 and 12
- Complies with
 - NEMA Type 3R, 4 12 and 13
 - IEC 60529, IP66

Construction

- Enclosures are formed steel - 12 gauge (60" high) or combination 10/12 gauge (72" high).
- Smooth, continuously welded seams without knockouts, cutouts or holes.
- Body stiffeners are provided in the larger enclosures for extra rigidity.
- Heavy duty lifting eyebolts are provided with reinforcing support angles.
- Center post is removable for easy installation of the inner panel.
- Formed lip on door and top of enclosure opening exclude flowing liquids and contaminants.
- Continuously hinged doors may be removed by pulling the stainless steel hinge pin.
- Doors are secured with quarter turn latches.
- Provision for padlocking.
- 12" floor stands are welded to the enclosure.
- Seamless poured-in place gasket.
- Provision for light kit mounting.
- A removable 10 gauge inner panel is included.
- Panel supports are provided for easy panel installation.
- Collar studs are provided for mounting inner panels.
- A bonding stud is provided on the door and a grounding stud is provided in the enclosure for each door.
- A literature pocket is provided for the inside of the door.

Finish

- Cover and enclosure are finished in recoatable smooth ANSI 61 gray powder coating.
- Removable white inner panel is finished in white powder coating.

Accessories

- Additional Inner Panels...*See Page 297*
- Door Stop Kit...*See Page 320*
- Barrier Kits for Type 4 Floormount...*See Page 327*
- Drip Shield Kit...*See Page 319*
- Enclosure Stabilizers...*See Page 322*
- Climate Control...*See Page 244*
- Window Kits...*See Page 308*
- Lighting...*See Page 312*
- General Accessories...*See Page 281*

Part No.	Enclosure			Panel	
	H	W	D	H	W
1422N4B10FQT	60.13	48.06	10.69	56.00	44.00
1422N4D12FQT	60.13	60.06	12.69	56.00	56.00
1422N4E12FQT	72.13	60.06	12.69	68.00	56.00
1422N4F12FQT	72.13	72.06	12.69	68.00	68.00
1422N4F24FQT	72.13	72.06	24.69	68.00	68.00

Type 4 Mild Steel Two Door Floormount Enclosure *HN4 FM Series*

Continuous Hinge Door with Handle

Mild Steel Enclosures (Type 12, 4)

Floormount Enclosures



Quick Link: hammfg.com/HN4FM

Application

- Designed to house electrical, electronic, hydraulic or pneumatic controls and instruments.
- Provides protection where equipment may be hosed down or otherwise be very wet, or in outdoor applications for full weather protection.

Construction

- Enclosures are formed steel - 12 gauge (60" high) or combination 10/12 gauge (72" high).
- Smooth, continuously welded seams without knockouts, cutouts or holes.
- Lifting eyes provide for easy enclosure handling.
- Doors are supported with heavy gauge continuous hinges.
- 3-pt padlocking door handle.
- Seamless poured-in place gasket.
- Provision for light kit mounting.
- A grounding stud is provided in the enclosure and a bonding stud is provided on the door.
- Center post is removable for easy installation of the inner panel.
- 12" floor stands are welded to the enclosure.
- Body stiffeners are provided in the larger enclosures for extra rigidity.
- Formed lip on door and top of enclosure opening exclude flowing liquids and contaminants.
- A removable 10 gauge inner panel is included.
- Panel supports are provided for easy panel installation.
- Collar studs are provided for mounting inner panels.
- A literature pocket is provided for the inside of the door.

Standards

- UL 508A Type 3R, 4 and 12
- CSA Type 3R, 4 and 12
- Complies with:
 - NEMA Type 3R, 4, 12 and 3
 - IEC 60529, IP66

Finish

- Cover and enclosure are finished in recoatable smooth ANSI 61 gray powder coating.
- Removable white inner panel is finished in white powder coating.

Accessories

- Additional Inner Panels...*See Page 297*
- Door Stop Kit...*See Page 320*
- Barrier Kits for Type 4 Floormount...*See Page 327*
- Mechanical Interlock...*See Page 294*
- Drip Shield Kit...*See Page 319*
- Top Hat Cable Modules...*See Page 326*
- Enclosure Stabilizers...*See Page 322*
- Window Kits...*See Page 308*
- Climate Control...*See Page 244*
- Lighting...*See Page 312*
- General Accessories...*See Page 281*

Part No.	Enclosure			Inner Panel	
	H	W	D	H	W
HN4FM604810	60.13	48.06	10.69	56.00	44.00
HN4FM604818	60.13	48.06	18.69	56.00	44.00
HN4FM606012	60.13	60.06	12.69	56.00	56.00
HN4FM606018	60.13	60.06	18.69	56.00	56.00
HN4FM726012	72.13	60.06	12.69	68.00	56.00
HN4FM726018	72.13	60.06	18.69	68.00	56.00
HN4FM727212	72.13	72.06	12.69	68.00	68.00
HN4FM727218	72.13	72.06	18.69	68.00	68.00
HN4FM727224	72.13	72.06	24.69	68.00	68.00

Type 12 Mild Steel Freestanding Enclosure *1418 FS Series*

Continuous Hinge Door with Handle



Quick Link: hammfg.com/1418FS

Application

- Designed to house electrical, electronic, hydraulic or pneumatic controls with provision for panel mounting or rack mounting of equipment.
- Provides a degree of protection from falling dirt, dust, oil and water.
- Available with front access only or both front and rear access.
- A variety of inner panels, rack mounting rails and swing out frames are available to provide flexibility in mounting arrangements.

Standards

- UL 508A Type 12
- CSA Type 12
- Complies with
 - NEMA Type 12
 - IEC 60529, IP54

Construction

- Formed 12 gauge steel.
- Smooth, continuously welded seams without knockouts, cutouts or holes.
- Lifting eyes provide for easy enclosure handling.
- Doors are supported with heavy gauge continuous hinges.
- Doors are secured with a three point latch and operated with a key locking automotive type handle.
- Latch rods are equipped with rollers for easier door closing.
- Oil resistant gaskets are permanently secured .
- Provision for light kit mounting.
- Mounting channels are welded on the inside of the enclosure for mounting of optional inner panels or rack equipment rails.
- A grounding stud is provided in the enclosure and a bonding stud is provided on the door.
- A literature pocket is provided for the inside of the door (Two pockets are provided for dual access units).

Finish

- Cover and enclosure are phosphatized and finished in recoatable smooth ANSI 61 gray powder coating.
- Optional inner panels, rails, frames and supports are available in white powder coating.

Accessories

- Inner Panels...*See Page 300*
- Panel Rails...*See Page 307*
- Swing Out Frames...*See Page 306*
- Door Stop Kit...*See Page 320*
- Window Kits...*See Page 308*
- Climate Control...*See Page 244*
- Lighting...*See Page 312*
- General Accessories...*See Page 281*

Type 12 Mild Steel Freestanding Enclosure *1418 FS Series*

Continuous Hinge Door with Handle

Single Access

Part No.	Enclosure			Optional
	H	W	D	Full Panel ¹
1418TW18	60.06	24.06	18.06	60TWF
1418W18	72.06	24.06	18.06	72WFW
1418X18	72.06	30.06	18.06	72XFW
1418Y18	72.06	36.06	18.06	72YFW
1418YW20	90.06	24.06	20.06	90YFW
1418YY20	90.06	36.06	20.06	90YFW
1418TY24	60.06	36.06	24.06	60TYFW
1418W24	72.06	24.06	24.06	72WFW
1418X24	72.06	30.06	24.06	72XFW
1418Y24	72.06	36.06	24.06	72YFW
1418YY24	90.06	36.06	24.06	90YFW
1418W30	72.06	24.06	30.06	72WFW
1418Y30	72.06	36.06	30.06	72YFW
1418W36	72.06	24.06	36.06	72WFW
1418Y36	72.06	36.06	36.06	72YFW
1418YY36	90.06	36.06	36.06	90YFW

¹ Refers to optional full height/full width panels. Depth panels/half height width panels are also available

Dual Access

Part No.	Enclosure			Optional
	H	W	D	Full Panel ¹
1418WD24	72.06	24.06	24.06	72WFW
1418XD24	72.06	30.06	24.06	72XFW
1418YD24	72.06	36.06	24.06	72YFW
1418YYD24	90.06	36.06	24.06	90YFW
1418WD30	72.06	24.06	30.06	72WFW
1418WD36	72.06	24.06	36.06	72WFW
1418YD36	72.06	36.06	36.06	72YFW
1418YYD36	90.06	36.06	36.06	90YFW

¹ Refers to optional full height/full width panels. Depth panels/half height width panels are also available

Maximum Usable Depth

Enclosure Depth	Max Usable Depth
18.06	17.80
20.06	19.80
24.06	23.80
30.06	29.80
36.06	35.80

- Single Access only.
- From the inside surface of front door to front face of full width panel
- Inner panel in full back position

Mild Steel Enclosures (Type 12, 4)

Freestanding Enclosures

Type 4 Mild Steel Freestanding Enclosure *1418 N4 FS Series*

Continuous Hinge Door with Clamps



Quick Link: hammfg.com/1418N4FS

Application

- Designed to house electrical, electronic, hydraulic or pneumatic controls with provision for panel mounting or rack mounting of equipment.
- Provides protection where equipment may be hosed down or otherwise be very wet, or in specific applications where corrosion is a serious problem.
- A variety of inner panels, rack mounting rails and swing out frames are available to provide flexibility in mounting arrangements.

Standards

- UL 508A Type 3R, 4 and 12
- CSA Type 3R, 4 and 12
- Complies with
 - NEMA Type 3R, 4, 12 and 3
 - IEC 60529, IP66

Construction

- Formed 12 gauge steel.
- Smooth, continuously welded seams without knockouts, cutouts or holes.
- Lifting eyes provide for easy enclosure handling.
- Doors are supported with heavy gauge continuous hinges.
- Doors are secured with heavy duty stainless steel clamps.
- Seamless poured-in place gasket.
- Provision for light kit mounting.
- Mounting channels are welded on the inside of the enclosure for mounting of optional inner panels or rack equipment rails.
- A grounding stud is provided in the enclosure and a bonding stud is provided on the door.

Finish

- Cover and enclosure are finished in recoatable smooth ANSI 61 gray powder coating.
- Optional inner panels are available in white powder coating, or unpainted galvanized steel.

Accessories

- Inner Panels...*See Page 300*
- Panel Rails...*See Page 307*
- Swing Out Frames...*See Page 306*
- Door Stop Kit...*See Page 320*
- Drip Shield Kit...*See Page 319*
- Floor Stand Kit...*See Page 320*
- Window Kits...*See Page 308*
- Climate Control...*See Page 244*
- Lighting...*See Page 312*
- General Accessories...*See Page 281*

Part No.	Enclosure			Optional
	H	W	D	Full Panel ¹
1418N4W18	72.06	25.06	18.06	72WFW
1418N4X24	72.06	31.06	24.06	72XFW
1418N4Y24	72.06	37.06	24.06	72YFW

¹ Refers to optional full height/full width panels. Depth panels/half height width panels are also available

Type 4 Mild Steel Freestanding Enclosure *1418 N4 FS QT Series*

Continuous Hinge Door with Quarter Turn

Mild Steel Enclosures (Type 12, 4) Freestanding Enclosures



Quick Link: hammfg.com/1418N4FSQT

Application

- Designed to house electrical, electronic, hydraulic or pneumatic controls with provision for panel mounting or rack mounting of equipment.
- Provides protection where equipment may be hosed down or otherwise be very wet, or in specific applications where corrosion is a serious problem.
- A variety of inner panels, rack mounting rails and swing out frames are available to provide flexibility in mounting arrangements.

Standards

- UL 508A Type 3R, 4 and 12
- CSA Type 3R, 4 and 12
- Complies with
 - NEMA Type 3R, 4, 12 and 3
 - IEC 60529, IP66

Construction

- Formed 12 gauge steel.
- Smooth, continuously welded seams without knockouts, cutouts or holes.
- Lifting eyes provide for easy enclosure handling.
- Doors are supported with heavy gauge continuous hinges.
- Doors are secured quarter turn latches.
- Seamless poured-in place gasket.
- Provision for light kit mounting.
- Mounting channels are welded on the inside of the enclosure for mounting of optional inner panels or rack equipment rails.
- A grounding stud is provided in the enclosure and a bonding stud is provided on the door.

Finish

- Cover and enclosure are finished in recoatable smooth ANSI 61 gray powder coating.
- Optional inner panels are available in white powder coating, or unpainted galvanized steel.

Accessories

- Inner Panels...*See Page 300*
- Panel Rails...*See Page 307*
- Swing Out Frames...*See Page 306*
- Door Stop Kit...*See Page 320*
- Drip Shield Kit...*See Page 319*
- Floor Stand Kit...*See Page 320*
- Window Kits...*See Page 308*
- Climate Control...*See Page 244*
- Lighting...*See Page 312*
- General Accessories...*See Page 281*

Part No.	Enclosure			Optional
	H	W	D	Full Panel ¹
1418N4W18QT	72.06	25.06	18.06	72WFW
1418N4X24QT	72.06	31.06	24.06	72XFW
1418N4Y24QT	72.06	37.06	24.06	72YFW

¹ Refers to optional full height/full width panels. Depth panels/half height width panels are also available

Type 4 Mild Steel Freestanding Enclosure *HN4 FS Series*

Continuous Hinge Door with Handle



Quick Link: hammfg.com/HN4FS

Application

- Designed to house electrical, electronic, hydraulic or pneumatic controls with provision for panel mounting or rack mounting of equipment.
- Provides protection where equipment may be hosed down or otherwise be very wet, or in specific applications where corrosion is a serious problem.
- A variety of inner panels, rack mounting rails and swing out frames are available to provide flexibility in mounting arrangements.

Construction

- Formed 12 gauge steel.
- Smooth, continuously welded seams without knockouts, cutouts or holes.
- Lifting eyes provide for easy enclosure handling.
- Doors are supported with heavy gauge continuous hinges.
- New 3-pt padlocking door handle.
- Seamless poured-in place gasket.
- Provision for light kit mounting.
- A grounding stud is provided in the enclosure and a bonding stud is provided on the door.
- Mounting channels are welded on the inside of the enclosure for mounting of optional inner panels or rack equipment rails.

Standards

- UL 508A Type 3R, 4 and 12
- CSA Type 3R, 4 and 12
- Complies with:
 - NEMA Type 3R, 4, 12 and 3
 - IEC 60529, IP66

Finish

- Cover and enclosure are finished in recoatable smooth ANSI 61 gray powder coating.
- Optional inner panels are available in white powder coating, or unpainted galvanized steel.

Accessories

- Inner Panels...*See Page 300*
- Panel Rails...*See Page 307*
- Swing Out Frames...*See Page 306*
- Door Stop Kit...*See Page 320*
- Drip Shield Kit...*See Page 319*
- Floor Stand Kit...*See Page 320*
- Window Kits...*See Page 308*
- Climate Control...*See Page 244*
- Lighting...*See Page 312*
- General Accessories...*See Page 281*

Part No.	Enclosure			Optional
	H	W	D	Inner Panel
HN4FS722518	72.06	25.06	18.06	72WFW
HN4FS723124	72.06	31.06	24.06	72XFW
HN4FS723724	72.06	37.06	24.06	72YFW

¹ Refers to optional full height/full width panels. Depth panels/half height width panels are also available

Type 12 Mild Steel Two Door Freestanding Enclosure *1418 FS Series*

Continuous Hinge Door with Handle



Quick Link: hammfg.com/1418TDFS

Application

- Designed to house electrical, electronic, hydraulic or pneumatic controls with provision for panel mounting or rack mounting of equipment.
- Provides a degree of protection from falling dirt, dust, oil and water.
- Available with front access only or both front and rear access.
- A variety of inner panels, rack mounting angles and swing frames are available to provide flexibility in equipment mounting.

Standards

- UL 508A Type 12
- CSA Type 12
- Complies with
 - NEMA Type 12
 - IEC 60529, IP54

Construction

- Formed 12 gauge steel (10 gauge on back of single access enclosures).
- Smooth, continuously welded seams without knockouts, cutouts or holes.
- Stiffeners on the rear of the enclosure provide rigidity. (Single access)
- Lifting eyes provide for easy enclosure handling.
- Doors are supported with heavy gauge continuous hinges.
- Doors are secured with a three point latch and operated with a key locking automotive type handle.
- Latch rods are equipped with rollers for easier door closing.
- Oil resistant gaskets are permanently secured.
- Provision for light kit mounting.
- Mounting channels are welded on the inside of the enclosure for mounting of optional inner panels or rack equipment rails.
- A bonding stud is provided on the door and a grounding stud is provided in the enclosure for each door.
- A literature pocket is provided for the inside of the door (Two pockets are provided for dual access units).

Finish

- Cover and enclosure are phosphatized and finished in recoatable smooth ANSI 61 gray powder coating.
- Optional inner panels, rails, frames and supports are available in white powder coating.

Accessories

- Inner Panels...See Page **300**
- Center Panel Supports...See Page **306**
- Panel Rails...See Page **307**
- Swing Out Frames...See Page **306**
- Door Stop Kit...See Page **320**
- Top Hat Cable Modules...See Page **326**
- Climate Control...See Page **244**
- Window Kits...See Page **308**
- Lighting...See Page **312**
- General Accessories...See Page **281**

Single Access

Enclosure				
Part No.	H	W	D	Optional Full Panel ¹
1418AW18	60.06	48.06	18.06	60AWFW
1418ZW18	72.06	48.06	18.06	72ZWFW
1418ZX18	72.06	60.06	18.06	72ZXFW
1418ZY18	72.06	72.06	18.06	72ZYFW
1418BW20	90.06	48.06	20.06	90BWFW
1418BY20	90.06	72.06	20.06	90BYFW
1418BY24	90.06	72.06	24.06	90BYFW
1418ZW24	72.06	48.06	24.06	72ZWFW
1418ZX24	72.06	60.06	24.06	72ZXFW
1418ZY24	72.06	72.06	24.06	72ZYFW
1418ZX36	72.06	60.06	36.06	72ZXFW
1418BY36	90.06	72.06	36.06	90BYFW

¹ Refers to optional full height/full width panels. Depth panels/half height width panels are also available

Dual Access

Enclosure				
Part No.	H	W	D	Optional Full Panel ¹
1418ZWD24	72.06	48.06	24.06	72ZWFW
1418ZXD24	72.06	60.06	24.06	72ZXFW
1418ZYD24	72.06	72.06	24.06	72ZYFW
1418BYD24	90.06	72.06	24.06	90BYFW
1418ZXD36	72.06	60.06	36.06	72ZXFW

¹ Refers to optional full height/full width panels. Depth panels/half height width panels are also available

Type 4 Two Door Freestanding Enclosure *HN4 FSTD Series*

Continuous Hinge Door with Handle



Quick Link: hammfg.com/HN4FSTD

Application

- Designed to house electrical, electronic, hydraulic or pneumatic controls and instruments.
- Provides protection where equipment may be hosed down or otherwise be very wet, or in specific applications.

Construction

- Formed 12 gauge steel.
- Smooth, continuously welded seams without knockouts, cutouts or holes.
- Heavy duty stainless steel lifting eyebolts are provided with reinforcing support angles.
- Doors are supported with heavy gauge continuous hinges.
- Dual Access versions have doors front and back.
- 3-pt padlocking door handle.
- Seamless poured-in place gasket.
- A grounding stud is provided in the enclosure and a bonding stud is provided on the door.
- Center post is removable for easy installation of the inner panel.

Standards

- UL 508A Type 3R, 4 and 12
- CSA Type 3R, 4 and 12
- Complies with:
 - NEMA Type 3R, 4, 12 and 13
 - IEC 60529, IP66

Finish

- Cover and enclosure are finished in recoatable smooth ANSI 61 gray powder coating.
- Optional inner panels are available in white powder coating, or unpainted galvanized steel.

Accessories

- Inner Panels...*See Page 300*
- Center Panel Supports...*See Page 306*
- Panel Rails...*See Page 307*
- Swing Out Frames...*See Page 306*
- Door Stop Kit...*See Page 320*
- Top Hat Cable Modules...*See Page 326*
- Drip Shield Kit...*See Page 319*
- Type 12/4, 4X Handle Kits...*See Page 284*
- Window Kits...*See Page 308*
- Climate Control...*See Page 244*
- Lighting...*See Page 312*
- General Accessories...*See Page 281*

Single Access

Part No.	Enclosure			Optional Full Panel ¹
	H	W	D	
HN4FS604818	60.00	48.00	18.00	60AWFW
HN4FS724818	72.00	48.00	18.00	72ZWFW
HN4FS726018	72.00	60.00	18.00	72ZXFW
HN4FS727218	72.00	72.00	18.00	72ZYFW
HN4FS904820	90.00	48.00	20.00	90BFWF
HN4FS907220	90.00	72.00	20.00	90BYFW
HN4FS724824	72.00	48.00	24.00	72ZWFW
HN4FS726024	72.00	60.00	24.00	72ZXFW
HN4FS727224	72.00	72.00	24.00	72ZYFW
HN4FS907224	90.00	72.00	24.00	90BYFW
HN4FS726036	72.00	60.00	36.00	72ZXFW
HN4FS907236	90.00	72.00	36.00	90BYFW

¹ Refers to optional full height/full width panels. Depth panels/half height width panels are also available

Dual Access

Part No.	Enclosure			Optional Full Panel ¹
	H	W	D	
HN4FS724824DA	72.00	48.00	24.00	72ZWFW
HN4FS726024DA	72.00	60.00	24.00	72ZXFW
HN4FS727224DA	72.00	72.00	24.00	72ZYFW
HN4FS907224DA	90.00	72.00	24.00	90BYFW
HN4FS726036DA	72.00	60.00	36.00	72ZXFW

¹ Refers to optional full height/full width panels. Depth panels/half height width panels are also available

Mild Steel Enclosures (Type 12, 4) Freestanding Enclosures

Type 12 Mild Steel Multi-Door Freestanding Enclosure *1422 MD Series*

Continuous Hinge Door with Handle

Mild Steel Enclosures (Type 12, 4)
Freestanding Enclosures



Quick Link: hammfg.com/1422MD

Application

- Designed to house electrical, electronic, hydraulic or pneumatic controls and instruments.
- Provides a degree of protection from falling dirt, dust, oil and water.

Standards

- UL 508A Type 12
- CSA Type 12
- Complies with
 - NEMA Type 12
 - IEC 60529, IP54

Construction

- Formed 10 gauge steel.
- Smooth, continuously welded seams without knockouts, cutouts or holes.
- Heavy duty body stiffeners are provided for extra rigidity.
- Reinforced eyebolts are provided for easy enclosure lifting.
- Double door openings have gasketed overlapping doors, eliminating the need for a center post.
- Continuously hinged doors may be removed by pulling the hinge pin.
- Doors are secured with a three point padlocking handle.
- Latch rods are equipped with rollers for easier door closing.
- Oil resistant gaskets are permanently secured.
- Removable 10 gauge inner panels are included in the enclosures.
- 3 door units have 2 panels (34" x 78" and 70" x 78").
- 4 door units have 2 panels (70" x 78" each).
- Slave doors have mechanical interlock and cannot be opened unless the master door is open.
- Panel supports are provided in enclosures for easy panel installation.
- Collar studs are provided for mounting inner panels.
- A grounding stud is provided in the enclosure for each door and a bonding stud is provided on the door.
- A literature pocket is provided for the inside of the door.

Finish

- Cover and enclosure are phosphatized and finished in recoatable smooth ANSI 61 gray powder coating.
- Removable inner panels are finished in white powder coating.

Accessories

- Door Stop Kit...*See Page 320*
- Floor Stand Kit...*See Page 320*
- Window Kits...*See Page 308*
- Climate Control...*See Page 244*
- Lighting...*See Page 312*
- General Accessories...*See Page 281*

Part No.	Enclosure			Inner Panels		
	H	W	D	H	W1	W2
1422MD3	86.12	112.00	14.12	78.00	70.00	34.00
1422MD320	86.12	112.00	20.12	78.00	70.00	34.00
1422MD4	86.12	149.12	14.12	78.00	70.00	70.00
1422MD420	86.12	149.12	20.12	78.00	70.00	70.00

Stainless Steel Enclosures (Type 4X)

Stainless Steel Enclosures (Type 4X)

	Type 4X Stainless Steel Junction Box Eclipse Junior Series Continuous Hinge Door with Quarter Turn 43		IP69K/Type 4X Stainless Steel Wallmount Enclosure Waterfall Series Sloped Top with Quarter Turns 56
	Type 4X Stainless Steel Junction Box 1414 N4 PH SS Series Continuous Hinge Door with Clamps..... 44		Type 4X Stainless Steel Wallmount Enclosure w/ Sloped Top ST SS Series Hinge Door with Quarter Turn..... 58
	Type 4X Stainless Steel Junction Box 1414 N4 SS Series Lift-Off Cover with Clamps..... 45		Type 4X Stainless Steel Two Door Floormount Enclosure 1422 N4 SS Series Continuous Hinge Door with Clamps..... 59
	Hygienic Type 4X Stainless Steel Junction Box 46		Type 4X Stainless Steel Two Door Floormount Enclosure 1422 N4 QT SS Series Continuous Hinge Door with Quarter Turn 60
	Type 4X Stainless Steel Wallmount Enclosure Eclipse Series Hinge Door with Quarter Turn/Handle 47		Type 4X Stainless Steel Two Door Floormount Enclosure HN4 FM SS Series Continuous Hinge Door with Handle 61
	Type 4X Stainless Steel Wallmount Enclosure w/ Window Eclipse Series Hinge Door with Quarter Turn..... 49		Type 4X Stainless Steel Freestanding Enclosure 1418 N4 FS SS Series Continuous Hinge Door with Clamps..... 62
	Type 4X Stainless Steel Wallmount Enclosure 1418 N4 SS Series Continuous Hinge Door with Clamps..... 50		Type 4X Stainless Steel Freestanding Enclosure HN4 FS SS Series Continuous Hinge Door with Handle 63
	Type 4X Stainless Steel Wallmount Enclosure HWSSHK Series Hinge Door with Handle..... 52		Type 4X Stainless Steel Freestanding Enclosure 1418 N4 FS QT SS Series Continuous Hinge Door with Quarter Turn 65
	Type 4X Painted White Stainless Steel Wallmount Enclosure Eclipse Series Hinge Door with Handle..... 54		Type 4X Stainless Steel Two Door Freestanding Enclosure HN4 FSTD SS Series Continuous Hinge Door with Handle 66
	Type 4X Stainless Steel Two Door Wallmount Enclosure HN4 WM SS Series Continuous Hinge Door with Handle 55		Type 4X Sloped Top Stainless Steel Freestanding 2STFS Series 67

Type 4X Stainless Steel Junction Box *Eclipse Junior Series*

Continuous Hinge Door with Quarter Turn



Quick Link: hammfg.com/EJSS

Application

- Designed for use as instrument enclosures, electric, hydraulic or pneumatic control housings, electrical junction boxes or terminal wiring enclosures.
- Provides protection where equipment may be hosed down or otherwise be very wet, or in specific applications where corrosion may be a problem.
- For high temperature applications, a gasket retainer may be required, please refer to factory.

Standards

- UL 508A Type 3R, 4, 4X, 12, and 13
- CSA Type 3R, 4, 4X, 12, and 13
- Complies with
 - NEMA Type 3R, 4, 4X, 12 and 13
 - IEC 60529, IP66

Construction

- Body and cover are formed from 16 gauge 304 or 316 stainless steel.
- Smooth, continuously welded seams without knockouts, cutouts, or holes.
- Formed lip on enclosure to exclude flowing liquids and contaminants.
- 14 gauge welded brackets provide for enclosure mounting.
- Continuously hinged cover has stainless steel hinges and provides 180° opening.
- Door latches feature the added safety of quarter turn slot requiring use of tool for opening.
- Quarter turn latches formed from 316 stainless steel.
- Seamless poured-in place gasket.

- Models larger than 4"x4" include a removable 14 gauge galvanized inner panel.
- Tapped studs are provided for mounting inner panels.
- A bonding stud is provided on the door and a grounding stud is provided on the enclosure.
- Grounding and panel mounting hardware provided.

Finish

- Cover and enclosure are natural stainless steel with a smooth brushed finish.
- Removable inner panel is unpainted galvanized steel.

Accessories

- Additional Inner Panels...*See Page 294*
- Swing Panel Kit...*See Page 302*
- Terminal Kit Assemblies...*See Page 302*
- Padlock Adaptor...*See Page 286*
- Quarter Turn Assemblies...*See Page 287*
- Climate Control...*See Page 244*
- General Accessories...*See Page 281*

304 S.S. Part No.	316 S.S. Part No.	Enclosure			Panel	
		H	W	D	H	W
EJ443SS	EJ443S16	4.00	4.00	3.00	N/A	N/A
EJ444SS	EJ444S16	4.00	4.00	4.00	N/A	N/A
EJ643SS	EJ643S16	6.00	4.00	3.00	4.88	2.88
EJ863SS	EJ863S16	8.00	6.00	3.50	6.75	4.88
EJ644SS	EJ644S16	6.00	4.00	4.00	4.88	2.88
EJ664SS	EJ664S16	6.00	6.00	4.00	4.88	4.88
EJ884SS	EJ884S16	8.00	8.00	4.00	6.75	6.88
EJ1084SS	EJ1084S16	10.00	8.00	4.00	8.75	6.88
EJ1264SS	EJ1264S16	12.00	6.00	4.00	10.75	4.88
EJ12124SS	EJ12124S16	12.00	12.00	4.00	10.75	10.88
EJ12105SS	EJ12105S16	12.00	10.00	5.00	10.75	8.88
EJ866SS	EJ866S16	8.00	6.00	6.00	6.75	4.88
EJ1086SS	EJ1086S16	10.00	8.00	6.00	8.75	6.88
EJ10106SS	EJ10106S16	10.00	10.00	6.00	8.75	8.88
EJ12106SS	EJ12106S16	12.00	10.00	6.00	10.75	8.88
EJ12126SS	EJ12126S16	12.00	12.00	6.00	10.75	10.88
EJ14126SS	EJ14126S16	14.00	12.00	6.00	12.75	10.88
EJ16146SS	EJ16146S16	16.00	14.00	6.00	14.75	12.88
EJ12108SS	EJ12108S16	12.00	10.00	8.00	10.75	8.88
EJ14128SS	EJ14128S16	14.00	12.00	8.00	12.75	10.88
EJ16148SS	EJ16148S16	16.00	14.00	8.00	14.75	12.88
EJ161410SS	EJ161410S16	16.00	14.00	10.00	14.75	12.88

 Junction Boxes
Stainless Steel Enclosures (Type 4X)

Type 4X Stainless Steel Junction Box *1414 N4 PH SS Series*

Continuous Hinge Door with Clamps

Stainless Steel Enclosures (Type 4X) Junction Boxes



Quick Link: hammfg.com/1414N4PHSS

Application

- Designed for use as instrument enclosures, electric, hydraulic or pneumatic control housings, electrical junction boxes or terminal wiring enclosures.
- Provides protection where equipment may be hosed down or otherwise be very wet, or in specific applications where corrosion may be a problem.

Standards

- UL 508A Type 3R, 4, 4X, 12 and 13
- CSA Type 3R, 4, 4X, 12 and 13
- Complies with
 - NEMA Type 3R, 4, 4X, 12 and 13
 - IEC 60529, IP66

Construction

- Formed from 14 gauge 304 or 316 stainless steel.
- Smooth, continuously welded seams.
- Welded brackets provide for enclosure mounting.
- Continuous stainless steel hinged cover is secured with stainless steel clamps and screws.
- Seamless poured-in place gasket.
- All models include a removable 14 gauge inner panel.
- Tapped studs are provided for mounting inner panels.
- A bonding stud is provided on the door and a grounding stud is provided in the enclosure.

Finish

- Cover and enclosure are natural stainless steel with a smooth brushed finish.
- Removable inner panel is finished in white powder coating.

Accessories

- Additional Inner Panels...*See Page 294*
- Swing Panel Kit...*See Page 302*
- Terminal Kit Assemblies...*See Page 302*
- Door Clamping Hardware...*See Page 282*
- Junction Box Quick Release Clamp...*See Page 282*
- Junction Box Padlock Kit...*See Page 282*
- Climate Control...*See Page 244*
- General Accessories...*See Page 281*

304 S.S.		316 S.S.		Enclosure			Panel	
Part No.	Part No.	H	W	D	H	W		
1414N4PHSSC4	1414N4PHS16C4	6.00	4.00	4.00	4.88	2.88		
1414N4PHSSE	1414N4PHS16E	6.00	6.00	4.00	4.88	4.88		
1414N4PHSSG	1414N4PHS16G	8.00	6.00	3.50	6.75	4.88		
1414N4PHSSG4	1414N4PHS16G4	8.00	6.00	4.00	6.75	4.88		
1414N4PHSSI	1414N4PHS16I	10.00	8.00	4.00	8.75	6.88		
1414N4PHSSK	1414N4PHS16K	12.00	10.00	5.00	10.75	8.88		
1414N4PHSSK6	1414N4PHS16K6	12.00	10.00	6.00	10.75	8.88		
1414N4PHSSL6	1414N4PHS16L6	12.00	12.00	6.00	10.75	10.88		
1414N4PHSSM6	1414N4PHS16M6	14.00	12.00	6.00	12.75	10.88		
1414N4PHSSO6	1414N4PHS16O6	16.00	14.00	6.00	14.75	12.88		
1414N4PHSSM8	1414N4PHS16M8	14.00	12.00	8.00	12.75	10.88		
1414N4PHSSO10	1414N4PHS16O10	16.00	14.00	10.00	14.75	12.88		

Technical references and CAD downloads available at www.hammondmfg.com

All dimensions in inches unless specified otherwise

Type 4X Stainless Steel Junction Box 1414 N4 SS Series

Lift-Off Cover with Clamps



Quick Link: hammfg.com/1414N4SS

Application

- Designed for use as instrument enclosures, electric, hydraulic or pneumatic control housings, electrical junction boxes or terminal wiring enclosures.
- Provides protection where equipment may be hosed down or otherwise be very wet, or in specific applications where corrosion may be a problem.

Standards

- UL 508A Type 3R, 4, 4X, 12 and 13.
- CSA Type 3R, 4, 4X, 12 and 13.
- Complies with
 - NEMA Type 3R, 4, 4X, 12 and 13
 - IEC 60529, IP66

Construction

- Formed from 14 gauge 304 stainless steel.
- Smooth, continuously welded seams.
- Welded brackets provide for enclosure mounting.
- Lift-Off cover is secured with stainless steel clamps and screws.
- Seamless poured-in place gasket.
- All models larger than 4" x 4" include a removable 14 gauge inner panel.
- Tapped studs are provided for mounting inner panels.
- A bonding stud is provided on the door and a grounding stud is provided in the enclosure.

Finish

- Cover and enclosure are natural stainless steel with a smooth brushed finish.
- Removable inner panel is finished in white powder coating.

Accessories

- Additional Inner Panels...*See Page 294*
- Swing Panel Kit...*See Page 302*
- Terminal Kit Assemblies...*See Page 302*
- Door Clamping Hardware...*See Page 282*
- Climate Control...*See Page 244*
- General Accessories...*See Page 281*

Part No.	Enclosure			Panel	
	H	W	D	H	W
1414N4SSA	4.00	4.00	3.00	-	-
1414N4SSC4	6.00	4.00	4.00	4.88	2.88
1414N4SSG	8.00	6.00	3.50	6.75	4.88
1414N4SSE	6.00	6.00	4.00	4.88	4.88
1414N4SSI	10.00	8.00	4.00	8.75	6.88
1414N4SSK	12.00	10.00	5.00	10.75	8.88
1414N4SSM6	14.00	12.00	6.00	12.75	10.88
1414N4SSO6	16.00	14.00	6.00	14.75	12.88

Junction Boxes

Stainless Steel Enclosures (Type 4X)

Hygienic Type 4X Stainless Steel Junction Box *HYJ Series*

Sloped Sides with Silicone Gasket



Quick Link: hammfg.com/HYJ

Application

- Designed to enclose electrical and/or electronic equipment and protect against harsh, hygienic environments for junction box and wallmount applications.
- Sloped on 4 sides prevent water from resting on top regardless of enclosure orientation.
- Hex head design screws and door-edge mounted silicone gasket allow for easy cleaning in hose-down environments.
- A wide range of sizes and practical accessories make this product line a complete package.

Standards

- UL 508A Type 3R, 12, 4, 4X
- cUL Type 3R, 12, 4, 4X
- NSF – ANSI 169
 - Not all accessories shown maintain NSF standard. Some are internal and NSF is not applicable. Refer to each accessory individually or call factory for specifics.
- Complies with
 - NEMA 3R, 12, 4, 4X
 - IEC 60529, IP69, IP69K

Construction

- Formed 304 stainless steel.
- Sloped 3° on all 4 sides
- Continuously welded seams ground smooth.
- Hex head screw cover can be completely removed for modifications.
- Silicone gasket mounts around entire door edge allowing for efficient cleaning in hygienic environments.
- Gasket can be easily removed and re-installed for cleaning or replacement. Additional silicone gaskets can be ordered separately.
- Studs provided for mounting inner panel.
- Includes hardware kit with panel mounting nuts.
- No pre-drilled wall mounting holes allow for flexible mounting alternatives - weld-in-place, stand-offs
- Bonding stud provided on door and grounding stud installed in enclosure.

Finish

- Cover and enclosure are natural stainless steel with a smooth #4 dairy finish.

Accessories

- Additional Inner Panels...*See Page 294*
- Wallmount Stand-offs...*See Page 293*

Part No.	Enclosure			Optional Inner Panel			Replacement
	H	W	D	Part No.	H	W	Gasket
HYJ854SS	7.94	4.88	4.00	14R0503	4.88	2.88	HYG85
HYJ1074SS	9.94	6.88	4.00	14R0705	6.75	4.88	HYG107
HYJ1294SS	11.94	8.88	4.00	14R0907	8.75	6.88	HYG129
HYJ14116SS	14.15	11.09	6.00	14R1109	10.75	8.88	HYG1411
HYJ16138SS	16.36	13.30	8.00	14R1311	12.75	10.88	HYG1613

Type 4X Stainless Steel Wallmount Enclosure *Eclipse Series*

Hinge Door with Quarter Turn/Handle



Quick Link: hammfg.com/EN4SDSS

Application

- Designed to enclose electrical and/or electronic equipment and protect against harsh, industrial environments for wallmount applications.
- Impressive styling features like hidden hinges and attractive latching systems make the Eclipse a suitable addition to any high-tech equipment installation.
- A wide range of sizes and practical accessories make this product line a complete package.

Standards

- UL 508A Type 3R, 4, 4X and 12
- CSA Type 3R, 4, 4X and 12
- Complies with
 - NEMA 3R, 4, 4X, 12 and 13
 - IEC 60529, IP 66

Construction

- Formed 14 (24x24" and larger) or 16 (24x20" and smaller) gauge stainless steel.
- Continuously welded seams ground smooth.
- Door stiffeners are provided where required for increased strength and rigidity - designed to also permit additional mounting options.

- Formed lip on enclosure to exclude flowing liquids and contaminants.
- Door latching: Type A has stainless steel slotted quarter turns, Type B has stainless steel handle with 3 point latching.
- Doors may be easily removed for modifications and are interchangeable.
- Seamless poured-in place gasket.
- Collar studs provided for mounting inner panel.
- Includes hardware kit with panel mounting nuts and sealing washers for wall mounting holes.
- Bonding stud provided on door and grounding stud installed in enclosure.
- Stainless steel hinge pins and quarter turns.
- Door alignment guide provided on 36" wide enclosures.
- Door swing can be reversed - requires ordering adapter kit EHLLSAK

Finish

- Cover and enclosure are natural stainless steel with a smooth brushed finish.

Accessories

- Additional Inner Panels...*See Page 296*
- Swing Panel...*See Page 304*
- Swing Frame...*See Page 305*
- DIN Rail Mounting Kit...*See Page 290*
- DIN Rails...*See Page 290*
- Door Stop Kit...*See Page 320*
- Mounting Foot Kit...*See Page 291*
- Rear Hole Plugs...*See Page 291*
- Drip Shield Kit...*See Page 319*
- Quarter Turn Inserts and Keys...*See Page 287*
- Quarter Turn Assemblies...*See Page 287*
- Padlock Adaptor...*See Page 286*
- Handles...*See Page 290*
- Replacement Hinge Pins...*See Page 288*
- Window Kits...*See Page 308*
- Climate Control...*See Page 244*
- Lighting...*See Page 312*
- General Accessories...*See Page 281*

304 S.S.		316 S.S.		Enclosure			Latch	Optional Inner Panel		
Part No.	Part No.	H	W	D	Type	Part No.	H	W		
EN4SD12126SS	EN4SD12126S16	12.00	12.00	6.00	A	EP1212	10.20	10.20		
EN4SD16126SS	EN4SD16126S16	16.00	12.00	6.00	A	EP1612	14.20	10.20		
EN4SD16166SS	EN4SD16166S16	16.00	16.00	6.00	A	EP1616	14.20	14.20		
EN4SD16206SS	-	16.00	20.00	6.00	A	EP1620	14.20	18.20		
EN4SD20166SS	EN4SD20166S16	20.00	16.00	6.00	A	EP2016	18.20	14.20		
EN4SD20206SS	EN4SD20206S16	20.00	20.00	6.00	A	EP2020	18.20	18.20		
EN4SD24206SS	-	24.00	20.00	6.00	A	EP2420	22.20	18.20		
EN4SD16128SS	EN4SD16128S16	16.00	12.00	8.00	A	EP1612	14.20	10.20		
EN4SD16168SS	EN4SD16168S16	16.00	16.00	8.00	A	EP1616	14.20	14.20		
EN4SD16208SS	EN4SD16208S16	16.00	20.00	8.00	A	EP1620	14.20	18.20		
EN4SD20168SS	EN4SD20168S16	20.00	16.00	8.00	A	EP2016	18.20	14.20		
EN4SD20208SS	EN4SD20208S16	20.00	20.00	8.00	A	EP2020	18.20	18.20		

Technical references and CAD downloads available at www.hammondmfg.com

All dimensions in inches unless specified otherwise

Quality Products. Service Excellence.

Type 4X Stainless Steel Wallmount Enclosure *Eclipse Series*

Hinge Door with Quarter Turn/Handle

Stainless Steel Enclosures (Type 4X) Wallmount Enclosures

304 S.S. Part No.	316 S.S. Part No.	Enclosure			Latch Type	Optional Inner Panel		
		H	W	D		Part No.	H	W
EN4SD20248SS	-	20.00	24.00	8.00	A	EP2024	18.20	22.20
EN4SD24168SS	EN4SD24168S16	24.00	16.00	8.00	A	EP2416	22.20	14.20
EN4SD24208SS	EN4SD24208S16	24.00	20.00	8.00	A	EP2420	22.20	18.20
EN4SD24248SS	EN4SD24248S16	24.00	24.00	8.00	A	EP2424	22.20	22.20
EN4SD24308SS	EN4SD24308S16	24.00	30.00	8.00	A	EP2430	22.20	28.20
EN4SD30208SS	-	30.00	20.00	8.00	A	EP3020	28.20	18.20
EN4SD30248SS	EN4SD30248S16	30.00	24.00	8.00	A	EP3024	28.20	22.20
EN4SD30308SS	EN4SD30308S16	30.00	30.00	8.00	A	EP3030	28.20	28.20
EN4SD36248SS	EN4SD36248S16	36.00	24.00	8.00	A	EP3624	34.20	22.20
EN4SD36308SS	EN4SD36308S16	36.00	30.00	8.00	A	EP3630	34.20	28.20
EN4SD42368SSR	-	42.00	36.00	8.00	A	EP4236	40.20	34.20
EN4SD48368SSR	-	48.00	36.00	8.00	A	EP4836	46.20	34.20
EN4SD161210SS	EN4SD161210S16	16.00	12.00	10.00	A	EP1612	14.20	10.20
EN4SD161610SS	EN4SD161610S16	16.00	16.00	10.00	A	EP1616	14.20	14.20
EN4SD162010SS	EN4SD162010S16	16.00	20.00	10.00	A	EP1620	14.20	18.20
EN4SD201610SS	EN4SD201610S16	20.00	16.00	10.00	A	EP2016	18.20	14.20
EN4SD202010SS	EN4SD202010S16	20.00	20.00	10.00	A	EP2020	18.20	18.20
EN4SD202410SS	EN4SD202410S16	20.00	24.00	10.00	A	EP2024	18.20	22.20
EN4SD241610SS	EN4SD241610S16	24.00	16.00	10.00	A	EP2416	22.20	14.20
EN4SD242010SS	EN4SD242010S16	24.00	20.00	10.00	A	EP2420	22.20	18.20
EN4SD242410SS	EN4SD242410S16	24.00	24.00	10.00	A	EP2424	22.20	22.20
EN4SD243010SS	EN4SD243010S16	24.00	30.00	10.00	A	EP2430	22.20	28.20
EN4SD302010SS	EN4SD302010S16	30.00	20.00	10.00	A	EP3020	28.20	18.20
EN4SD302410SS	EN4SD302410S16	30.00	24.00	10.00	A	EP3024	28.20	22.20
EN4SD303010SS	EN4SD303010S16	30.00	30.00	10.00	A	EP3030	28.20	28.20
EN4SD362410SS	EN4SD362410S16	36.00	24.00	10.00	A	EP3624	34.20	22.20
EN4SD363010SS	EN4SD363010S16	36.00	30.00	10.00	A	EP3630	34.20	28.20
EN4SD363610SSR	EN4SD363610S16R	36.00	36.00	10.00	A	EP3636	34.20	34.20
EN4SD423010SSR	-	42.00	30.00	10.00	A	EP4230	40.20	28.20
EN4SD423610SSR	EN4SD423610S16R	42.00	36.00	10.00	A	EP4236	40.20	34.20
EN4SD482410SS	EN4SD482410S16	48.00	24.00	10.00	B	EP4824	46.20	26.20
EN4SD483610SSR	EN4SD483610S16R	48.00	36.00	10.00	A	EP4836	46.20	34.20
EN4SD603610SSR	EN4SD603610S16R	60.00	36.00	10.00	A	EP6036	58.20	34.20
EN4SD202012SS	EN4SD202012S16	20.00	20.00	12.00	A	EP2020	18.20	18.20
EN4SD242412SS	EN4SD242412S16	24.00	24.00	12.00	A	EP2424	22.20	22.20
EN4SD302412SS	EN4SD302412S16	30.00	24.00	12.00	A	EP3024	28.20	22.20
EN4SD303012SS	EN4SD303012S16	30.00	30.00	12.00	A	EP3030	28.20	28.20
EN4SD362412SS	EN4SD362412S16	36.00	24.00	12.00	A	EP3624	34.20	22.20
EN4SD363012SS	EN4SD363012S16	36.00	30.00	12.00	A	EP3630	34.20	28.20
EN4SD363612SSR	EN4SD363612S16R	36.00	36.00	12.00	A	EP3636	34.20	34.20
EN4SD423612SSR	EN4SD423612S16R	42.00	36.00	12.00	A	EP4236	40.20	34.20
EN4SD483612SSR	EN4SD483612S16R	48.00	36.00	12.00	A	EP4836	46.20	34.20
EN4SD603612SSR	EN4SD603612S16R	60.00	36.00	12.00	A	EP6036	58.20	34.20
EN4SD723612SSR	EN4SD723612S16R	72.00	36.00	12.00	A	EP7236	70.20	34.20
EN4SD302416SS	-	30.00	24.00	16.00	A	EP3024	28.20	22.20
EN4SD363016SS	-	36.00	30.00	16.00	A	EP3630	34.20	28.20
EN4SD483616SSR	EN4SD483616S16R	48.00	36.00	16.00	A	EP4836	46.20	34.20

Alternative inner panel options also available.

Type 4X Stainless Steel Wallmount Enclosure w/ Window *Eclipse Series*

Hinge Door with Quarter Turn



Quick Link: hammfg.com/EN4SDWSS

Application

- Designed to enclose electrical and/or electronic equipment in wallmount applications where viewing of component operation is necessary while maintaining protection ratings.
- Impressive styling features like hidden hinges and attractive latching systems make the Eclipse a suitable addition to any high-tech equipment installation.
- A wide range of sizes and practical accessories make this product line a complete package.

Standards

- UL 508A Type 3R, 4, 4X and 12
- CSA Type 3R, 4, 4X and 12
- Complies with
 - NEMA Type 3R, 4, 4X, 12 and 13
 - IEC 60529, IP66

Construction

- Formed 14 (24x24" and larger) or 16 (24x20" and smaller) gauge stainless steel.
- Full view UV resistant polycarbonate window allows maximum viewing area of inner panel.
- Continuously welded seams ground smooth.
- Door stiffeners are provided where required for increased strength and rigidity - designed to also permit additional mounting options.
- Formed lip on enclosure to exclude flowing liquids and contaminants.
- Door latches feature the added safety of quarter turn slot requiring use of tool for opening.

- Doors may be easily removed for modifications and are interchangeable.
- Seamless poured-in place gasket.
- Collar studs provided for mounting inner panel.
- Includes hardware kit with panel mounting nuts and sealing washers for wall mounting holes.
- Bonding stud provided on door and grounding stud installed in enclosure.
- Hinges are constructed from stainless steel.
- Stainless steel hinge pins and quarter turns.

Finish

- Cover and enclosure are natural stainless steel with a smooth brushed finish.

Accessories

- Additional Inner Panels...*See Page 296*
- Swing Panel...*See Page 304*
- Swing Frame...*See Page 305*
- Eclipse Rack Panel...*See Page 305*
- DIN Rail Mounting Kit...*See Page 290*
- DIN Rails...*See Page 290*
- Door Stop Kit...*See Page 320*
- Mounting Foot Kit...*See Page 291*
- Rear Hole Plugs...*See Page 291*
- Drip Shield Kit...*See Page 319*
- Quarter Turn Inserts and Keys...*See Page 287*
- Quarter Turn Assemblies...*See Page 287*
- Padlock Adaptor...*See Page 286*
- Handles...*See Page 290*
- Replacement Hinge Pins...*See Page 288*
- Climate Control...*See Page 244*
- Lighting...*See Page 312*
- General Accessories...*See Page 281*

Part No.	Enclosure			Optional Inner Panel		
	H	W	D	Part No.	H	W
EN4SD12126WSS	12.00	12.00	6.00	EP1212	10.20	10.20
EN4SD16126WSS	16.00	12.00	6.00	EP1612	14.20	10.20
EN4SD20166WSS	20.00	16.00	6.00	EP2016	18.20	14.20
EN4SD20206WSS	20.00	20.00	6.00	EP2020	18.20	18.20
EN4SD20168WSS	20.00	16.00	8.00	EP2016	18.20	14.20
EN4SD20208WSS	20.00	20.00	8.00	EP2020	18.20	18.20
EN4SD24208WSS	24.00	20.00	8.00	EP2420	22.20	18.20
EN4SD24248WSS	24.00	24.00	8.00	EP2424	22.20	22.20
EN4SD30248WSS	30.00	24.00	8.00	EP3024	28.20	22.20
EN4SD161210WSS	16.00	12.00	10.00	EP1612	14.20	10.20
EN4SD201610WSS	20.00	16.00	10.00	EP2016	18.20	14.20
EN4SD202010WSS	20.00	20.00	10.00	EP2020	18.20	18.20
EN4SD242010WSS	24.00	20.00	10.00	EP2420	22.20	18.20
EN4SD242410WSS	24.00	24.00	10.00	EP2424	22.20	22.20
EN4SD302410WSS	30.00	24.00	10.00	EP3024	28.20	22.20
EN4SD202012WSS	20.00	20.00	12.00	EP2020	18.20	18.20
EN4SD302412WSS	30.00	24.00	12.00	EP3024	28.20	22.20

All window door latch types are quarter turns. Alternative inner panel options also available.

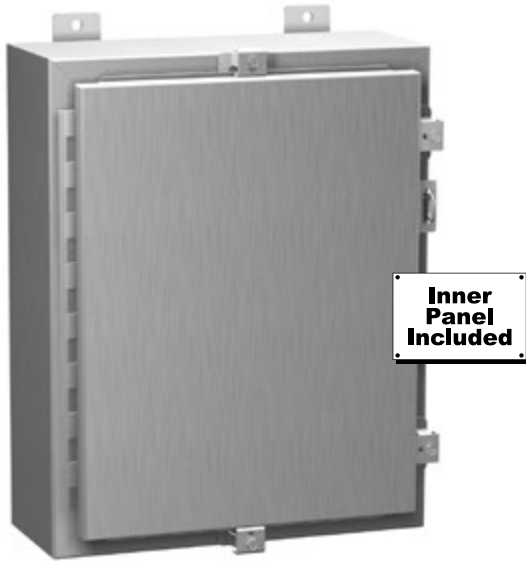
Technical references and CAD downloads available at www.hammondmfg.com

All dimensions in inches unless specified otherwise

Quality Products. Service Excellence.

Type 4X Stainless Steel Wallmount Enclosure 1418 N4 SS Series

Continuous Hinge Door with Clamps



Quick Link: hammfg.com/1418N4SS

Application

- Designed for use as instrument enclosures, electric, hydraulic or pneumatic control housings, electrical junction boxes or terminal wiring enclosures.
- Provides protection where equipment may be hosed down or otherwise be very wet, or in specific applications where corrosion is a serious problem.

Standards

- UL 508A Type 3R, 4, 4X, and 12
- CSA Type 3R, 4, 4X, and 12
- Complies with
 - NEMA Type 3R, 4, 4X, 12 and 13
 - IEC 60529, IP66

Construction

- Formed 14 gauge 304 or 316 stainless steel.
- Smooth, continuously welded seams without knockouts, cutouts or holes.
- Door stiffeners are provided in the larger enclosures for extra rigidity.
- Welded brackets provide for enclosure mounting.
- Formed lip on door and enclosure excludes flowing liquids and contaminants.
- Stainless steel continuous hinge on door may be removed by pulling the stainless steel hinge pin.
- Door is secured with easily operated stainless steel clamps.
- Provision for padlocking.
- Seamless poured-in place gasket.
- A removable 12 gauge inner panel is included.
- Collar studs are provided for mounting inner panels.
- A bonding stud is provided on the door and a grounding stud is provided in the enclosure.
- A literature pocket is provided for the inside of the door.

Finish

- Cover and enclosure are natural stainless steel with a smooth brushed finish.
- Removable inner panel is finished in white powder coating.

Accessories

- Additional Inner Panels...*See Page 295*
- Perforated Inner Panels...*See Page 299*
- Swing Panel Kit...*See Page 302*
- Door Stop Kit...*See Page 320*
- Door Clamping Hardware...*See Page 282*
- Wallmount Quick Release Clamp...*See Page 283*
- Drip Shield Kit...*See Page 319*
- Floor Stand Kit...*See Page 320*
- Window Kits...*See Page 308*
- Climate Control...*See Page 244*
- Lighting...*See Page 312*
- General Accessories...*See Page 281*

Stainless Steel Enclosures (Type 4X)

Wallmount Enclosures

Type 4X Stainless Steel Wallmount Enclosure *1418 N4 SS Series*

Continuous Hinge Door with Clamps

304 S.S. Part No.	316 S.S. Part No.	Enclosure			Panel	
		H	W	D	H	W
1418N4SSB6	1418N4S16B6	16.00	12.00	6.00	13.00	9.00
1418N4SSG6	1418N4S16G6	16.00	16.00	6.00	13.00	13.00
1418N4SSCR6	1418N4S16CR6	16.00	20.00	6.00	13.00	17.00
1418N4SSC6	1418N4S16C6	20.00	16.00	6.00	17.00	13.00
1418N4SSD6	1418N4S16D6	20.00	20.00	6.00	17.00	17.00
1418N4SSE6	1418N4S16E6	24.00	20.00	6.00	21.00	17.00
1418N4SSJ6	1418N4S16J6	24.00	24.00	6.00	21.00	21.00
1418N4SSB8	1418N4S16B8	16.00	12.00	8.00	13.00	9.00
1418N4SSC8	1418N4S16C8	20.00	16.00	8.00	17.00	13.00
1418N4SSD8	1418N4S16D8	20.00	20.00	8.00	17.00	17.00
1418N4SSE8	1418N4S16ER8	20.00	24.00	8.00	17.00	21.00
1418N4SSH8	1418N4S16H8	24.00	16.00	8.00	21.00	13.00
1418N4SSE8	1418N4S16E8	24.00	20.00	8.00	21.00	17.00
1418N4SSJ8	1418N4S16J8	24.00	24.00	8.00	21.00	21.00
1418N4SSKR8	1418N4S16KR8	24.00	30.00	8.00	21.00	27.00
1418N4SSF8	1418N4S16F8	30.00	20.00	8.00	27.00	17.00
1418N4SSK8	1418N4S16K8	30.00	24.00	8.00	27.00	21.00
1418N4SSK8	1418N4S16KK8	30.00	30.00	8.00	27.00	27.00
1418N4SSL8	1418N4S16L8	36.00	24.00	8.00	33.00	21.00
1418N4SSM8	1418N4S16M8	36.00	30.00	8.00	33.00	27.00
1418N4SSP8	1418N4S16P8	42.00	36.00	8.00	39.00	33.00
1418N4SSS8	1418N4S16S8	48.00	36.00	8.00	45.00	33.00
1418N4SSC10	1418N4S16C10	20.00	16.00	10.00	17.00	13.00
1418N4SSE10	1418N4S16E10	24.00	20.00	10.00	21.00	17.00
1418N4SSK10	1418N4S16K10	30.00	24.00	10.00	27.00	21.00
1418N4SSL10	1418N4S16L10	36.00	24.00	10.00	33.00	21.00
1418N4SSM10	1418N4S16M10	36.00	30.00	10.00	33.00	27.00
1418N4SSO10	1418N4S16O10	42.00	30.00	10.00	39.00	27.00
1418N4SSS10	1418N4S16S10	48.00	36.00	10.00	45.00	33.00
1418N4SSJ12	1418N4S16J12	24.00	24.00	12.00	21.00	21.00
1418N4SSK12	1418N4S16K12	30.00	24.00	12.00	27.00	21.00
1418N4SSM12	1418N4S16M12	36.00	30.00	12.00	33.00	27.00
1418N4SSLL12	1418N4S16LL12	36.00	36.00	12.00	33.00	33.00
1418N4SSS12	1418N4S16S12	48.00	36.00	12.00	45.00	33.00
1418N4SST12	1418N4S16T12	60.00	36.00	12.00	57.00	33.00
1418N4SSK16	1418N4S16K16	30.00	24.00	16.00	27.00	21.00
1418N4SSM16	1418N4S16M16	36.00	30.00	16.00	33.00	27.00
1418N4SSS16	1418N4S16S16	48.00	36.00	16.00	45.00	33.00
1418N4SST16	1418N4S16T16	60.00	36.00	16.00	57.00	33.00

Wallmount Enclosures

Stainless Steel Enclosures (Type 4X)

Type 4X Stainless Steel Wallmount Enclosure *HWSSHK Series*

Hinge Door with Handle



Quick Link: hammfg.com/HWN4SSHK

Application

- Designed to enclose electrical and/or electronic equipment and protect against harsh, industrial environments for wallmount applications.
- Provides high level of protection where equipment is hosed down or otherwise be exposed to wet conditions where corrosion is a serious problem.
- Ideal for processing plants, utility, outdoor municipal or petro chemical locations where easy yet secure access is required.

Standards

- UL 508A Type 3R, 4, 4X and 12
- CSA Type 3R, 4, 4X and 12
- Complies with
 - NEMA 3R, 4, 4X, 12 and 13
 - IEC 60529, IP 66

Construction

- Formed 14 gauge 304 or 316 stainless steel.
- Continuously welded seams ground smooth.
- Formed lip on enclosure to exclude flowing liquids and contaminants.
- 316 Stainless pad lockable handle with 3 point roller latching system secures door.
- Stainless steel continuous hinge on door may be removed by pulling the stainless steel hinge pin
- Seamless poured-in place gasket.
- Collar studs provided for mounting inner panel.
- Bonding stud provided on door and grounding stud installed in enclosure.

Finish

- Cover and enclosure are natural stainless steel with smooth brushed finish.

Accessories

- Additional Inner Panels...*See Page 295*
- Perforated Inner Panels...*See Page 299*
- Type 12/4, 4X Handle Kits...*See Page 284*
- Swing Panel Kit...*See Page 302*
- Door Stop Kit...*See Page 320*
- Drip Shield Kit...*See Page 319*
- Floor Stand Kit...*See Page 320*
- Window Kits...*See Page 308*
- Climate Control...*See Page 244*
- Lighting...*See Page 312*
- General Accessories...*See Page 281*

Stainless Steel Enclosures (Type 4X)

Wallmount Enclosures

Type 4X Stainless Steel Wallmount Enclosure *HWSSHK Series*

Hinge Door with Handle

304 S.S.		316 S.S.		Enclosure			Optional Inner Panel		
Part No.	Part No.	H	W	D	Part No.	H	W		
HW24206SSHK	HW24206S16HK	24.00	20.00	6.00	18P2117	21.00	17.00		
HW24246SSHK	HW24246S16HK	24.00	24.00	6.00	18P2121	21.00	21.00		
HW24168SSHK	HW24168S16HK	24.00	16.00	8.00	18P2113	21.00	13.00		
HW24208SSHK	HW24208S16HK	24.00	20.00	8.00	18P2117	21.00	17.00		
HW24248SSHK	HW24248S16HK	24.00	24.00	8.00	18P2121	21.00	21.00		
HW24308SSHK	HW24308S16HK	24.00	30.00	8.00	18P2721	21.00	27.00		
HW30208SSHK	HW30208S16HK	30.00	20.00	8.00	18P2717	27.00	17.00		
HW30248SSHK	HW30248S16HK	30.00	24.00	8.00	18P2721	27.00	21.00		
HW30308SSHK	HW30308S16HK	30.00	30.00	8.00	18P2727	27.00	27.00		
HW36248SSHK	HW36248S16HK	36.00	24.00	8.00	18P3321	33.00	21.00		
HW36308SSHK	HW36308S16HK	36.00	30.00	8.00	18P3327	33.00	27.00		
HW42368SSHK	HW42368S16HK	42.00	36.00	8.00	18P3933	39.00	33.00		
HW48368SSHK	HW48368S16HK	48.00	36.00	8.00	18P4533	45.00	33.00		
HW242010SSHK	HW242010S16HK	24.00	20.00	10.00	18P2117	21.00	17.00		
HW302410SSHK	HW302410S16HK	30.00	24.00	10.00	18P2721	27.00	21.00		
HW362410SSHK	HW362410S16HK	36.00	24.00	10.00	18P3321	33.00	21.00		
HW363010SSHK	HW363010S16HK	36.00	30.00	10.00	18P3327	33.00	27.00		
HW423010SSHK	HW423010S16HK	42.00	30.00	10.00	18P3927	39.00	27.00		
HW483610SSHK	HW483610S16HK	48.00	36.00	10.00	18P4533	45.00	33.00		
HW242412SSHK	HW242412S16HK	24.00	24.00	12.00	18P2121	21.00	21.00		
HW302412SSHK	HW302412S16HK	30.00	24.00	12.00	18P2721	27.00	21.00		
HW363012SSHK	HW363012S16HK	36.00	30.00	12.00	18P3327	33.00	27.00		
HW363612SSHK	HW363612S16HK	36.00	36.00	12.00	18P3333	33.00	33.00		
HW423612SSHK	HW423612S16HK	42.00	36.00	12.00	18P3933	39.00	33.00		
HW483612SSHK	HW483612S16HK	48.00	36.00	12.00	18P4533	45.00	33.00		
HW603612SSHK	HW603612S16HK	60.00	36.00	12.00	18P5733	57.00	33.00		
HW302416SSHK	HW302416S16HK	30.00	24.00	16.00	18P2721	27.00	21.00		
HW363016SSHK	HW363016S16HK	36.00	30.00	16.00	18P3327	33.00	27.00		
HW483616SSHK	HW483616S16HK	48.00	36.00	16.00	18P4533	45.00	33.00		
HW603616SSHK	HW603616S16HK	60.00	36.00	16.00	18P5733	57.00	33.00		

Alternative inner panel options also available.

Wallmount Enclosures

Stainless Steel Enclosures (Type 4X)

Type 4X Painted White Stainless Steel Wallmount Enclosure *Eclipse Series*

Hinge Door with Handle

Stainless Steel Enclosures (Type 4X)

Wallmount Enclosures



Quick Link: hammfg.com/EN4SDSSWH

Application

- Designed to enclose electrical and/or electronic equipment and protect against harsh, industrial environments for wallmount applications.
- Impressive styling features like hidden hinges and attractive latching systems make the Eclipse a suitable addition to any high-tech equipment installation.
- A wide range of sizes and practical accessories make this product line a complete package.

Standards

- UL 508A Type 3R, 4, 4X and 12
- CSA Type 3R, 4, 4X and 12
- Complies with
 - NEMA 3R, 4, 4X, 12 and 13
 - IEC 60529, IP 66

Construction

- Formed 14 gauge 304 stainless steel.
- Continuously welded seams ground smooth.
- Door stiffeners are provided where required for increased strength and rigidity - designed to also permit additional mounting options.
- Formed lip on enclosure to exclude flowing liquids and contaminants.
- Doors are secured with a 3 point Handle in 316 stainless with pad lockable feature.
- Doors may be easily removed for modifications and are interchangeable.
- Seamless poured-in place gasket.
- Collar studs provided for mounting inner panel.
- Includes hardware kit with panel mounting nuts and sealing washers for wall mounting holes.
- Bonding stud provided on door and grounding stud installed in enclosure.
- Stainless steel hinge pins and hinges.

Finish

- Cover and enclosure are finished in recoatable smooth RAL 9003 White powder coating inside and out.

Accessories

- Additional Inner Panels...*See Page 296*
- Swing Panel...*See Page 304*
- Swing Frame...*See Page 305*
- DIN Rail Mounting Kit...*See Page 290*
- DIN Rails...*See Page 290*
- Door Stop Kit...*See Page 320*
- Mounting Foot Kit...*See Page 291*
- Rear Hole Plugs...*See Page 291*
- Drip Shield Kit...*See Page 319*
- Type 12/4, 4X Handle Kits...*See Page 284*
- Replacement Hinge Pins...*See Page 288*
- Climate Control...*See Page 244*
- Lighting...*See Page 312*
- General Accessories...*See Page 281*

Part No.	Enclosure			Optional Inner Panel		
	H	W	D	Part No.	H	W
EN4SD24248SSWH	24.00	24.00	8.00	EP2424	22.20	22.20
EN4SD30248SSWH	30.00	24.00	8.00	EP3024	28.20	22.20
EN4SD242010SSWH	24.00	20.00	10.00	EP2420	22.20	18.20
EN4SD242412SSWH	24.00	24.00	12.00	EP2424	22.20	22.20
EN4SD363012SSWH	36.00	30.00	12.00	EP3630	34.20	28.20
EN4SD363612SSWH	36.00	36.00	12.00	EP3636	34.20	34.20
EN4SD423612SSWH	42.00	36.00	12.00	EP4236	40.20	34.20
EN4SD483612SSWH	48.00	36.00	12.00	EP4836	46.20	34.20
EN4SD483616SSWH	48.00	36.00	16.00	EP4836	46.20	34.20
EN4SD603612SSWH	60.00	36.00	12.00	EP6036	58.20	34.20

Alternative inner panel options also available.

Type 4X Stainless Steel Two Door Wallmount Enclosure *HN4 WM SS Series*

Continuous Hinge Door with Handle



**Inner
Panel
Included**

Quick Link: hammfg.com/HN4WMSS

Application

- Designed to house electrical, electronic, hydraulic or pneumatic controls and instruments.
- Provides protection where equipment may be hosed down or otherwise be very wet, or in specific applications where corrosion is a serious problem.

Construction

- Formed 12 gauge 304 or 316 stainless steel.
- Smooth, continuously welded seams without knockouts, cutouts or holes.
- Doors are supported with heavy gauge continuous hinges.
- 3-pt padlocking door handle.
- Seamless poured-in place gasket.
- A grounding stud is provided in the enclosure and a bonding stud is provided on the door.
- Center post is removable for easy installation of the inner panel.

Standards

- UL 508A Type 3R, 4X, and 12
- CSA Type 3R, 4X, and 12
- Complies with
 - NEMA Type 3R, 4X, 12 and 13
 - IEC 60529, IP66

Finish

- Cover and enclosure are natural stainless steel with a smooth brushed finish.
- Removable inner panel is finished in white powder coating.

Accessories

- Door Stop Kit...See Page **320**
- Type 12/4, 4X Handle Kits...See Page **284**
- Drip Shield Kit...See Page **319**
- Window Kits...See Page **308**
- Mechanical Interlock...See Page **294**
- Barrier Kits for Type 4 Wallmount...See Page **327**
- Climate Control...See Page **244**
- Lighting...See Page **312**
- General Accessories...See Page **281**

304 S.S.		316 S.S.		Enclosure			Panel	
Part Number	Part Number	H	W	D	H	W		
HN4WM24428SS	HN4WM24428S16	24.00	42.00	8.00	21.00	39.00		
HN4WM24488SS	HN4WM24488S16	24.00	48.00	8.00	21.00	45.00		
HN4WM304210SS	HN4WM304210S16	30.00	42.00	10.00	27.00	39.00		
HN4WM304810SS	HN4WM304810S16	30.00	48.00	10.00	27.00	45.00		
HN4WM306010SS	HN4WM306010S16	30.00	60.00	10.00	27.00	57.00		
HN4WM364212SS	HN4WM364212S16	36.00	42.00	12.00	33.00	39.00		
HN4WM364812SS	HN4WM364812S16	36.00	48.00	12.00	33.00	45.00		
HN4WM366012SS	HN4WM366012S16	36.00	60.00	12.00	33.00	57.00		
HN4WM424212SS	HN4WM424212S16	42.00	42.00	12.00	39.00	39.00		
HN4WM424812SS	HN4WM424812S16	42.00	48.00	12.00	39.00	45.00		
HN4WM426012SS	HN4WM426012S16	42.00	60.00	12.00	38.00	56.00		
HN4WM484812SS	HN4WM484812S16	48.00	48.00	12.00	44.00	44.00		

Technical references and CAD downloads available at www.hammondmfg.com

All dimensions in inches unless specified otherwise

Quality Products. Service Excellence.

IP69K/Type 4X Stainless Steel Wallmount Enclosure *Waterfall Series*

Sloped Top with Quarter Turns



Quick Link: hammfg.com/HWSTSS

Application

- Designed to enclose electrical and/or electronic equipment and protect against harsh, industrial environments for wallmount applications.
- Sloped top prevents water from resting on top as well as providing potential for controls mounting.
- Unique hinge design allows for easy cleaning in hose-down environments.
- A wide range of sizes and practical accessories make this product line a complete package.

Standards

- UL 508A Type 3R, 4, 4X and 12
- CSA Type 3R, 4, 4X and 12
- NSF – ANSI 169
 - Not all accessories shown maintain NSF standard. Some are internal and NSF is not applicable. Refer to each accessory individually or call factory for specifics.
- Complies with
 - NEMA 3R, 4, 4X, 12 and 13
 - IEC 60529, IP 66, IP69K

Construction

- Formed 304 or 316L stainless steel.
- Top sloped 25°
- Continuously welded seams ground smooth.
- Door stiffeners are provided where required for increased strength and rigidity - designed to also permit additional mounting options.
- Formed lip on enclosure to exclude flowing liquids and contaminants.
- Door latches (316 stainless steel quarter turns) feature the added safety of quarter turn slot requiring use of tool for opening.
- Door hinges (316 stainless steel) are easy to clean, provide 180 degree opening, are easily removed for modifications and are interchangeable.
- Seamless poured-in place gasket.
- Collar studs provided for mounting inner panel.
- Includes hardware kit with panel mounting nuts and sealing washers for wall mounting holes.
- Bonding stud provided on door and grounding stud installed in enclosure.

Finish

- Cover and enclosure are natural stainless steel with a smooth brushed finish.

Accessories

- Additional Inner Panels...*See Page 295*
- Perforated Inner Panels...*See Page 299*
- Door Stop Kit...*See Page 320*
- Mounting Foot Kit...*See Page 291*
- Rear Hole Plugs...*See Page 291*
- Washdown Quarter Turn Assemblies...*See Page 293*
- Quarter Turn Inserts and Keys...*See Page 287*
- Padlock Adaptor...*See Page 286*
- Wallmount Stand-offs...*See Page 293*
- Floor Stand Kit...*See Page 320*
- Wash Down Floor Stand Kit...*See Page 323*
- Climate Control...*See Page 244*
- Lighting...*See Page 312*
- General Accessories...*See Page 281*

Stainless Steel Enclosures (Type 4X)

Wallmount Enclosures

IP69K/Type 4X Stainless Steel Wallmount Enclosure *Waterfall Series*

Sloped Top with Quarter Turns

304 SS		316 SS		Enclosure				Optional Inner Panel		
Part No.	Part No.	H1	H2	W	D	Part No.	H	W		
HWST16128SS	HWST16128S16	16.00	19.70	12.00	8.00	18P1309	13.00	9.00		
HWST16168SS	HWST16168S16	16.00	19.70	16.00	8.00	18P1313	13.00	13.00		
HWST20168SS	HWST20168S16	20.00	23.70	16.00	8.00	18P1713	17.00	13.00		
HWST20208SS	HWST20208S16	20.00	23.70	20.00	8.00	18P1717	17.00	17.00		
HWST24208SS	HWST24208S16	24.00	27.70	20.00	8.00	18P2117	21.00	17.00		
HWST24248SS	HWST24248S16	24.00	27.70	24.00	8.00	18P2121	21.00	21.00		
HWST30248SS	HWST30248S16	30.00	33.70	24.00	8.00	18P2721	27.00	21.00		
HWST30308SS	HWST30308S16	30.00	33.70	30.00	8.00	18P2727	27.00	27.00		
HWST36308SS	HWST36308S16	36.00	39.70	30.00	8.00	18P3327	33.00	27.00		
HWST201612SS	HWST201612S16	20.00	25.60	16.00	12.00	18P1713	17.00	13.00		
HWST202012SS	HWST202012S16	20.00	25.60	20.00	12.00	18P1717	17.00	17.00		
HWST242412SS	HWST242412S16	24.00	29.60	24.00	12.00	18P2121	21.00	21.00		
HWST302412SS	HWST302412S16	30.00	35.60	24.00	12.00	18P2721	27.00	21.00		
HWST363012SS	HWST363012S16	36.00	41.60	30.00	12.00	18P3327	33.00	27.00		
HWST363612SS	HWST363612S16	36.00	41.60	36.00	12.00	18P3333	33.00	33.00		
HWST483612SS		48.00	53.60	36.00	12.00	18P4533	45.00	33.00		
HWST603612SS		60.00	65.60	36.00	12.00	18P5733	57.00	33.00		
HWST363016SS	HWST363016S16	36.00	43.40	30.00	16.00	18P3327	33.00	27.00		
HWST483616SS	HWST483616S16	48.00	55.40	36.00	16.00	18P4533	45.00	33.00		
HWST603616SS	HWST603616S16	60.00	67.40	36.00	16.00	18P5733	57.00	33.00		

Alternative inner panel options also available.

Wallmount Enclosures

Stainless Steel Enclosures (Type 4X)

Type 4X Stainless Steel Wallmount Enclosure w/ Sloped Top *ST SS Series*

Hinge Door with Quarter Turn

Stainless Steel Enclosures (Type 4X)

Wallmount Enclosures



Quick Link: hammfg.com/EN4SDSTSS

Application

- Designed to enclose electrical and/or electronic equipment and protect against harsh, industrial environments for wallmount applications.
- Sloped top prevents water from resting on top as well as providing potential for controls mounting.
- Impressive styling features like hidden hinges and attractive latching systems make the Eclipse a suitable addition to any high-tech equipment installation.
- A wide range of sizes and practical accessories make this product line a complete package.

Standards

- UL 508A Type 3R, 4, 4X and 12
- CSA Type 3R, 4, 4X and 12
- Complies with
 - NEMA 3R, 4, 4X, 12 and 13
 - IEC 60529, IP 66

Construction

- Formed 14 gauge 304 stainless steel.
- Continuously welded seams ground smooth.
- Door stiffeners are provided where required for increased strength and rigidity - designed to also permit additional mounting options.
- Formed lip on enclosure to exclude flowing liquids and contaminants.
- Door latches feature the added safety of quarter turn slot requiring use of tool for opening.
- Doors may be easily removed for modifications and are interchangeable.
- Seamless poured-in place gasket.

- Collar studs provided for mounting inner panel.
- Includes hardware kit with panel mounting nuts and sealing washers for wall mounting holes.
- Bonding stud provided on door and grounding stud installed in enclosure.
- Hinges are 304 stainless.
- Stainless steel hinge pins and quarter turns.
- Door alignment guide provided on 36" wide enclosures.

Finish

- Cover and enclosure are natural stainless steel with a smooth brushed finish.

Accessories

- Additional Inner Panels...*See Page 296*
- Swing Panel...*See Page 304*
- Swing Frame...*See Page 305*
- DIN Rail Mounting Kit...*See Page 290*
- DIN Rails...*See Page 290*
- Door Stop Kit...*See Page 320*
- Mounting Foot Kit...*See Page 291*
- Rear Hole Plugs...*See Page 291*
- Drip Shield Kit...*See Page 319*
- Quarter Turn Inserts and Keys...*See Page 287*
- Quarter Turn Assemblies...*See Page 287*
- Padlock Adaptor...*See Page 286*
- Handles...*See Page 290*
- Replacement Hinge Pins...*See Page 288*
- Window Kits...*See Page 308*
- Climate Control...*See Page 244*
- Lighting...*See Page 312*
- General Accessories...*See Page 281*

Part No.	Enclosure				Optional Inner Panel		
	H1	H2	W	D	Part No.	H	W
ST161208SS	16.00	18.89	12.00	8.00	EP1612	14.20	10.20
ST161608SS	16.00	18.89	16.00	8.00	EP1616	14.20	14.20
ST201608SS	20.00	22.89	16.00	8.00	EP2016	18.20	14.20
ST202008SS	20.00	22.89	20.00	8.00	EP2020	18.20	18.20
ST242008SS	24.00	26.89	20.00	8.00	EP2420	22.20	18.20
ST242408SS	24.00	26.89	24.00	8.00	EP2424	22.20	22.20
ST302408SS	30.00	32.89	24.00	8.00	EP3024	28.20	22.20
ST303008SS	30.00	32.89	30.00	8.00	EP3030	28.20	28.20
ST363008SS	36.00	38.89	30.00	8.00	EP3630	34.20	28.20
ST201612SS	20.00	24.35	16.00	12.00	EP2016	18.20	14.20
ST202012SS	20.00	24.35	20.00	12.00	EP2020	18.20	18.20
ST242412SS	24.00	28.35	24.00	12.00	EP2424	22.20	22.20
ST302412SS	30.00	34.35	24.00	12.00	EP3024	28.20	22.20
ST363012SS	36.00	40.35	30.00	12.00	EP3630	34.20	28.20
ST363612SS	36.00	40.35	36.00	12.00	EP3636	34.20	34.20
ST483612SS	48.00	52.35	36.00	12.00	EP4836	46.20	34.20
ST603612SS ¹	60.00	64.35	36.00	12.00	EP6036	58.20	34.20
ST363016SS	36.00	41.80	30.00	16.00	EP3630	34.20	28.20
ST483616SS	48.00	53.80	36.00	16.00	EP4836	46.20	34.20
ST603616SS ¹	60.00	65.80	36.00	16.00	EP6036	58.20	34.20

Technical references and CAD downloads available at www.hammondmfg.com

All dimensions in inches unless specified otherwise

Type 4X Stainless Steel Two Door Floormount Enclosure *1422 N4 SS Series*

Continuous Hinge Door with Clamps



Quick Link: hammfg.com/1422N4SS

Application

- Designed to house electrical, electronic, hydraulic or pneumatic controls and instruments.
- Provides protection where equipment may be hosed down or otherwise be very wet, or in specific applications where corrosion is a serious problem.

Standards

- UL 508A Type 3R, 4, 4X, and 12
- CSA Type 3R, 4, 4X, and 12
- Complies with
 - NEMA Type 3R, 4, 4X, 12 and 13
 - IEC 60529, IP66

Construction

- Formed 12 gauge 304 or 316 stainless steel.
- Smooth, continuously welded seams without knockouts, cutouts or holes.
- Body stiffeners are provided in the larger enclosures for extra rigidity.
- Heavy duty stainless steel lifting eyebolts are provided with reinforcing support angles.
- Center post is removable for easy installation of the inner panel.
- Formed lip on door and top of enclosure opening exclude flowing liquids and contaminants.
- Continuously hinged doors may be removed by pulling the stainless steel hinge pin.
- Doors are secured with heavy duty stainless steel clamps.
- Provision for padlocking.
- 12" floor stands are welded to the enclosure.
- Seamless poured-in place gasket.
- Panel supports are provided for easy panel installation.
- Collar studs are provided for mounting inner panels.
- A bonding stud is provided on the door and a grounding stud is provided in the enclosure for each door.
- A literature pocket is provided.

Finish

- Cover and enclosure are natural stainless steel with a smooth brushed finish.
- Removable 10 gauge inner panel is finished in white powder coating.

Accessories

- Additional Inner Panels...*See Page 297*
- Door Stop Kit...*See Page 320*
- Barrier Kits for Type 4 Floormount...*See Page 327*
- Drip Shield Kit...*See Page 319*
- Door Clamping Hardware...*See Page 282*
- Wallmount Quick Release Clamp...*See Page 283*
- Window Kits...*See Page 308*
- Climate Control...*See Page 244*
- Lighting...*See Page 312*
- General Accessories...*See Page 281*

304 S.S.		316 S.S.		Enclosure			Panel	
Part No.	Part No.	H	W	D	H	W		
1422N4SSB12F	1422N4S16B12F	60.13	48.06	12.69	56.00	44.00		
1422N4SSD12F	1422N4S16D12F	60.13	60.06	12.69	56.00	56.00		
1422N4SSE12F	1422N4S16E12F	72.13	60.06	12.69	68.00	56.00		
1422N4SSF12F	1422N4S16F12F	72.13	72.06	12.69	68.00	68.00		
1422N4SSF24F	1422N4S16F24F	72.13	72.06	24.69	68.00	68.00		

Type 4X Stainless Steel Two Door Floormount Enclosure *1422 N4 QT SS Series*

Continuous Hinge Door with Quarter Turn

Stainless Steel Enclosures (Type 4X)
Floormount Enclosures


Quick Link: hammfg.com/1422N4QTSS

Application

- Designed to house electrical, electronic, hydraulic or pneumatic controls and instruments.
- Provides protection where equipment may be hosed down or otherwise be very wet, or in specific applications where corrosion is a serious problem.

Standards

- UL 508A Type 3R, 4, 4X, and 12
- CSA Type 3R, 4, 4X, and 12
- Complies with
 - NEMA Type 3R, 4, 4X, 12 and 13
 - IEC 60529, IP66

Construction

- Formed 12 gauge 304 or 316 stainless steel.
- Smooth, continuously welded seams without knockouts, cutouts or holes.
- Body stiffeners are provided in the larger enclosures for extra rigidity.
- Heavy duty stainless steel lifting eyebolts are provided with reinforcing support angles.
- Center post is removable for easy installation of the inner panel.
- Formed lip on door and top of enclosure opening exclude flowing liquids and contaminants.
- Continuously hinged doors may be removed by pulling the stainless steel hinge pin.
- Doors are secured with quarter turn latches.
- Provision for padlocking.
- 12" floor stands are welded to the enclosure.
- Seamless poured-in place gasket.
- Panel supports are provided for easy panel installation.
- Collar studs are provided for mounting inner panels.
- A bonding stud is provided on the door and a grounding stud is provided in the enclosure for each door.
- A literature pocket is provided.

Finish

- Cover and enclosure are natural stainless steel with a smooth brushed finish.
- Removable 10 gauge inner panel is finished in white powder coating.

Accessories

- Additional Inner Panels...*See Page 297*
- Door Stop Kit...*See Page 320*
- Barrier Kits for Type 4 Floormount...*See Page 327*
- Drip Shield Kit...*See Page 319*
- Quarter Turn Inserts and Keys...*See Page 287*
- Window Kits...*See Page 308*
- Climate Control...*See Page 244*
- Lighting...*See Page 312*
- General Accessories...*See Page 281*

304 S.S.		316 S.S.		Enclosure			Panel	
Part No.	Part No.	H	W	D	H	W		
1422N4SSB12FQT	1422N4S16B12FQT	60.13	48.06	12.69	56.00	44.00		
1422N4SSD12FQT	1422N4S16D12FQT	60.13	60.06	12.69	56.00	56.00		
1422N4SSE12FQT	1422N4S16E12FQT	72.13	60.06	12.69	68.00	56.00		
1422N4SSF12FQT	1422N4S16F12FQT	72.13	72.06	12.69	68.00	68.00		
1422N4SSF24FQT	1422N4S16F24FQT	72.13	72.06	24.69	68.00	68.00		

Type 4X Stainless Steel Two Door Floormount Enclosure *HN4 FM SS Series*

Continuous Hinge Door with Handle



Quick Link: hammfg.com/HN4FMSS

Application

- Designed to house electrical, electronic, hydraulic or pneumatic controls and instruments.
- Provides protection where equipment may be hosed down or otherwise be very wet, or in specific applications where corrosion is a serious problem.

Construction

- Formed 12 gauge 304 or 316 stainless steel.
- Smooth, continuously welded seams without knockouts, cutouts or holes.
- Heavy duty stainless steel lifting eyebolts are provided with reinforcing support angles.
- Doors are supported with heavy gauge continuous hinges.
- New 3-pt padlocking door handle.
- Seamless poured-in place gasket.
- A grounding stud is provided in the enclosure and a bonding stud is provided on the door.
- Center post is removable for easy installation of the inner panel.
- 12" floor stands are welded to the enclosure.

Standards

- UL 508A Type 3R, 4X and 12
- CSA Type 3R, 4X and 12
- Complies with:
 - NEMA Type 3R, 4X, 12 and 13
 - IEC 60529, IP66

Finish

- Cover and enclosure are natural stainless steel with a smooth brushed finish.
- Removable 10 gauge inner panel is finished in white powder coating.

Accessories

- Additional Inner Panels...*See Page 297*
- Door Stop Kit...*See Page 320*
- Barrier Kits for Type 4 Floormount...*See Page 327*
- Mechanical Interlock...*See Page 294*
- Drip Shield Kit...*See Page 319*
- Type 12/4, 4X Handle Kits...*See Page 284*
- Window Kits...*See Page 308*
- Climate Control...*See Page 244*
- Lighting...*See Page 312*
- General Accessories...*See Page 281*

304 S.S.		316 S.S.		Enclosure			Panel	
Part Number	Part Number	H	W	D	H	W		
HN4FM604812SS	HN4FM604812S16	60.13	48.06	12.69	56.00	44.00		
HN4FM604818SS	HN4FM604818S16	60.13	48.06	18.69	56.00	44.00		
HN4FM606012SS	HN4FM606012S16	60.13	60.06	12.69	56.00	56.00		
HN4FM606018SS	HN4FM606018S16	60.13	60.06	18.69	56.00	56.00		
HN4FM726012SS	HN4FM726012S16	72.13	60.06	12.69	68.00	56.00		
HN4FM726018SS	HN4FM726018S16	72.13	60.06	18.69	68.00	56.00		
HN4FM727212SS	HN4FM727212S16	72.13	72.06	12.69	68.00	68.00		
HN4FM727218SS	HN4FM727218S16	72.13	72.06	18.69	68.00	68.00		
HN4FM727224SS	HN4FM727224S16	72.13	72.06	24.69	68.00	68.00		

Type 4X Stainless Steel Freestanding Enclosure *1418 N4 FS SS Series*

Continuous Hinge Door with Clamps

Stainless Steel Enclosures (Type 4X) Freestanding Enclosures



Quick Link: hammfg.com/1418N4FSSS

Application

- Designed to house electrical, electronic, hydraulic or pneumatic controls with provision for panel mounting or rack mounting of equipment.
- Provides protection where equipment may be hosed down or otherwise be very wet, or in specific applications where corrosion is a serious problem.
- A variety of inner panels, rack mounting rails and swing out frames are available to provide flexibility in mounting arrangements.

Standards

- UL 508A Type 3R, 4, 4X and 12
- CSA Type 3R, 4, 4X and 12
- Complies with
 - NEMA Type 3R, 4, 4X, 12 and 13
 - IEC 60529, IP66

304 S.S. Part No.	316 S.S. Part No.	Enclosure			Optional Full Size Inner Panel
		H	W	D	
1418N4SSW18	1418N4S16W18	72.06	25.06	18.06	72WFW
1418N4SSX24	1418N4S16X24	72.06	31.06	24.06	72XFW
1418N4SSY24	1418N4S16Y24	72.06	37.06	24.06	72YFW

Alternative inner panel options also available.

Construction

- Formed 12 gauge 304 or 316 stainless steel.
- Smooth, continuously welded seams without knockouts, cutouts or holes.
- Heavy duty stainless steel lifting eyebolts are provided with reinforcing support angles.
- Doors are supported with heavy gauge continuous hinges.
- Doors are secured with heavy duty stainless steel clamps.
- Seamless poured-in place gasket.
- Mounting channels are welded on the inside of the enclosure for mounting of optional inner panels or rack equipment rails.
- A grounding stud is provided in the enclosure and a bonding stud is provided on the door.

Finish

- Cover and enclosure are natural stainless steel with a smooth brushed finish.
- Optional inner panels are finished in white powder paint.

Accessories

- Inner Panels...*See Page 300*
- Panel Rails...*See Page 307*
- Swing Out Frames...*See Page 306*
- Door Stop Kit...*See Page 320*
- Drip Shield Kit...*See Page 319*
- Door Clamping Hardware...*See Page 282*
- Climate Control...*See Page 244*
- Window Kits...*See Page 308*
- Lighting...*See Page 312*
- General Accessories...*See Page 281*

Type 4X Stainless Steel Freestanding Enclosure *HN4 FS SS Series*

Continuous Hinge Door with Handle



Quick Link: hammfg.com/HN4FSSS

Application

- Designed to house electrical, electronic, hydraulic or pneumatic controls with provision for panel mounting or rack mounting of equipment.
- Provides protection where equipment may be hosed down or otherwise be very wet, or in specific applications where corrosion is a serious problem.
- A variety of inner panels, rack mounting rails and swing out frames are available to provide flexibility in mounting arrangements.

Construction

- Formed 12 gauge 304 stainless steel.
- Smooth, continuously welded seams without knockouts, cutouts or holes.
- Heavy duty stainless steel lifting eyebolts are provided with reinforcing support angles.
- Doors are supported with heavy gauge continuous hinges.
- New 3-pt padlocking door handle.
- Seamless poured-in-place gasket.
- A grounding stud is provided in the enclosure and a bonding stud is provided on the door.
- Mounting channels are welded on the inside of the enclosure for mounting of optional inner panels or rack equipment rails.

Standards

- UL 508A Type 3R, 4X and 12
- CSA Type 3R, 4X and 12
- Complies with:
 - NEMA Type 3R, 4X, 12 and 3
 - IEC 60529, IP66

Finish

- Cover and enclosure are natural stainless steel with a smooth brushed finish.
- Optional inner panels are finished in white powder paint.

Accessories

- Inner Panels...*See Page 300*
- Panel Rails...*See Page 307*
- Swing Out Frames...*See Page 306*
- Door Stop Kit...*See Page 320*
- Drip Shield Kit...*See Page 319*
- Type 12/4, 4X Handle Kits...*See Page 284*
- Window Kits...*See Page 308*
- Climate Control...*See Page 244*
- Lighting...*See Page 312*
- General Accessories...*See Page 281*

Type 4X Stainless Steel Freestanding Enclosure *HN4 FS SS Series*

Continuous Hinge Door with Handle

Single Access

304 S.S. Part No.	316 S.S. Part No.	Enclosure			Optional Full Size Panel
		H	W	D	
HN4FS602418SS	HN4FS602418S16	60.06	24.06	18.06	60TWF
HN4FS722418SS	HN4FS722418S16	72.06	24.06	18.06	72WFW
HN4FS723018SS	HN4FS723018S16	72.06	30.06	18.06	72XFW
HN4FS723618SS	HN4FS723618S16	72.06	36.06	18.06	72YFW
HN4FS902420SS	HN4FS902420S16	90.06	24.06	20.06	90YFW
HN4FS903620SS	HN4FS903620S16	90.06	36.06	20.06	90YFW
HN4FS603624SS	HN4FS603624S16	60.06	36.06	24.06	60TYFW
HN4FS722424SS	HN4FS722424S16	72.06	24.06	24.06	72WFW
HN4FS723024SS	HN4FS723024S16	72.06	30.06	24.06	72XFW
HN4FS723624SS	HN4FS723624S16	72.06	36.06	24.06	72YFW
HN4FS903624SS	HN4FS903624S16	90.06	36.06	24.06	90YFW
HN4FS723630SS	HN4FS723630S16	72.06	36.06	30.06	72YFW
HN4FS723636SS	HN4FS723636S16	72.06	36.06	36.06	72YFW
HN4FS903636SS	HN4FS903636S16	90.06	36.06	36.06	90YFW

Alternative inner panel options also available.

Dual Access

304 S.S. Part No.	316 S.S. Part No.	Enclosure			Optional Full Size Inner Panel
		H	W	D	
HN4FS722424DASS	HN4FS722424DS16	72.06	24.06	24.06	72WFW
HN4FS723024DASS	HN4FS723024DS16	72.06	30.06	24.06	72XFW
HN4FS723624DASS	HN4FS723624DS16	72.06	36.06	24.06	72YFW
HN4FS903624DASS	HN4FS903624DS16	90.06	36.06	24.06	90YFW
HN4FS722430DASS	HN4FS722430DS16	72.06	24.06	30.06	72WFW
HN4FS722436DASS	HN4FS722436DS16	72.06	24.06	36.06	72WFW
HN4FS723636DASS	HN4FS723636DS16	72.06	36.06	36.06	72YFW
HN4FS903636DASS	HN4FS903636DS16	90.06	36.06	36.06	90YFW

Alternative inner panel options also available.

Stainless Steel Enclosures (Type 4X)

Freestanding Enclosures

Type 4X Stainless Steel Freestanding Enclosure *1418 N4 FS QT SS Series*

Continuous Hinge Door with Quarter Turn



Quick Link: hammfg.com/1418N4FSQTSS

Application

- Designed to house electrical, electronic, hydraulic or pneumatic controls with provision for panel mounting or rack mounting of equipment.
- Provides protection where equipment may be hosed down or otherwise be very wet, or in specific applications where corrosion is a serious problem.
- A variety of inner panels, rack mounting rails and swing out frames are available to provide flexibility in mounting arrangements.

Standards

- UL 508A Type 3R, 4, 4X and 12
- CSA Type 3R, 4, 4X and 12
- Complies with
 - NEMA Type 3R, 4, 4X, 12 and 13
 - IEC 60529, IP66

304 S.S. Part No.	316 S.S. Part No.	Enclosure			Optional Full Size Inner Panel
		H	W	D	
1418N4SSW18QT	1418N4S16W18QT	72.06	25.06	18.06	72WFW
1418N4SSX24QT	1418N4S16X24QT	72.06	31.06	24.06	72XFW
1418N4SSY24QT	1418N4S16Y24QT	72.06	37.06	24.06	72YFW

Alternative inner panel options also available.

Construction

- Formed 12 gauge 304 or 316 stainless steel.
- Smooth, continuously welded seams without knockouts, cutouts or holes.
- Heavy duty stainless steel lifting eyebolts are provided with reinforcing support angles.
- Doors are supported with heavy gauge continuous hinges.
- Doors are secured with quarter turn latches.
- Seamless poured-in place gasket.
- Mounting channels are welded on the inside of the enclosure for mounting of optional inner panels or rack equipment rails.
- A grounding stud is provided in the enclosure and a bonding stud is provided on the door.

Finish

- Cover and enclosure are natural stainless steel with a smooth brushed finish.
- Optional inner panels are finished in white powder paint.

Accessories

- Inner Panels...*See Page 300*
- Panel Rails...*See Page 307*
- Swing Out Frames...*See Page 306*
- Door Stop Kit...*See Page 320*
- Drip Shield Kit...*See Page 319*
- Quarter Turn Inserts and Keys...*See Page 287*
- Climate Control...*See Page 244*
- Window Kits...*See Page 308*
- Lighting...*See Page 312*
- General Accessories...*See Page 281*

Type 4X Stainless Steel Two Door Freestanding Enclosure *HN4 FSTD SS Series*

Continuous Hinge Door with Handle

Stainless Steel Enclosures (Type 4X)

Freestanding Enclosures



Quick Link: hammfg.com/HN4FSTDSS

Application

- Designed to house electrical, electronic, hydraulic or pneumatic controls and instruments.
- Provides protection where equipment may be hosed down or otherwise be very wet, or in specific applications where corrosion is a serious problem.

Construction

- Formed 12 gauge 304 stainless steel.
- Smooth, continuously welded seams without knockouts, cutouts or holes.
- Heavy duty stainless steel lifting eyebolts are provided with reinforcing support angles.
- Doors are supported with heavy gauge continuous hinges.
- Dual Access versions have doors front and back.
- 3-pt padlocking door handle.
- Seamless poured-in place gasket.
- A grounding stud is provided in the enclosure and a bonding stud is provided on the door.
- Center post is removable for easy installation of the inner panel.

Standards

- UL 508A Type 3R, 4X and 12
- CSA Type 3R, 4X and 12
- Complies with:
 - NEMA Type 3R, 4X, 12 and 13
 - IEC 60529, IP66

Finish

- Cover and enclosure are natural stainless steel with a smooth brushed finish.

Accessories

- Inner Panels...See Page **300**
- Center Panel Supports...See Page **306**
- Panel Rails...See Page **307**
- Swing Out Frames...See Page **306**
- Door Stop Kit...See Page **320**
- Top Hat Cable Modules...See Page **326**
- Drip Shield Kit...See Page **319**
- Type 12/4, 4X Handle Kits...See Page **284**
- Window Kits...See Page **308**
- Climate Control...See Page **244**
- Lighting...See Page **312**
- General Accessories...See Page **281**

Single Access

Part No.	Enclosure			Optional Full Panel ¹
	H	W	D	
HN4FS604818SS	60.00	48.00	18.00	60AWFW
HN4FS724818SS	72.00	48.00	18.00	72ZWFW
HN4FS726018SS	72.00	60.00	18.00	72ZXFV
HN4FS727218SS	72.00	72.00	18.00	72ZYFV
HN4FS904820SS	90.00	48.00	20.00	90BWFV
HN4FS907220SS	90.00	72.00	20.00	90BYFV
HN4FS724824SS	72.00	48.00	24.00	72ZWFW
HN4FS726024SS	72.00	60.00	24.00	72ZXFV
HN4FS727224SS	72.00	72.00	24.00	72ZYFV
HN4FS907224SS	90.00	72.00	24.00	90BYFV
HN4FS726036SS	72.00	60.00	36.00	72ZXFV
HN4FS907236SS	90.00	72.00	36.00	90BYFV

¹ Refers to optional full height/full width panels. Depth panels/half height width panels are also available

Dual Access

Part No.	Enclosure			Optional Full Panel ¹
	H	W	D	
HN4FS724824DASS	72.00	48.00	24.00	72ZWFW
HN4FS726024DASS	72.00	60.00	24.00	72ZXFV
HN4FS727224DASS	72.00	72.00	24.00	72ZYFV
HN4FS907224DASS	90.00	72.00	24.00	90BYFV
HN4FS726036DASS	72.00	60.00	36.00	72ZXFV

¹ Refers to optional full height/full width panels. Depth panels/half height width panels are also available

Type 4X Sloped Top Stainless Steel Freestanding *2STFS Series*



Quick Link: hammfg.com/2STFS

Application

- Designed to enclose electrical and/or electronic equipment and protect against harsh, industrial environments for larger applications.
- 20° sloped top prevents water from resting on top of enclosure.

Standards

- UL 508A Type 3R, 12, 4, 4X
- CSA Type 3R, 12, 4, 4X
- Complies with
 - NEMA Type 3R, 12, 13, 4, 4X
 - IEC 60529, IP66
- Appropriate components are required to maintain these standards.

Construction

- Formed from 12 gauge 304 or 316L stainless steel with smooth, continuously welded seams.
- Flange trough collar (FTC) around door opening excludes liquids and contaminants.
- Heavy duty lifting eyes are anchored into reinforced top corners.
- Removable doors are secured with bullet style, heavy duty, lift off hinges.
- Formed 10 gauge steel inner panel is provided on collar studs.
- Panel supports are provided.
- Center post is removable, providing easy panel installation.
- Heavy duty three point latching mechanism with heavy duty roller ends is provided for ease of door closing.
- Seamless poured-in place gasket.
- Stainless steel door handles complete with padlock hasp.
- A provision for mounting fluorescent lighting is provided.
- A bonding stud is provided in the door and a grounding stud is provided in the enclosure for each door.
- A literature pocket is provided for the inside of the door.

Finish

- Door and enclosure are natural stainless steel with a smooth, brushed finish..
- Inner panel is finished in white powder coating.

Accessories

- Wash Down Floor Stand Kit...*See Page 323*
- Door Stop Kit...*See Page 320*
- Window Kits...*See Page 308*
- Climate Control...*See Page 244*
- Lighting...*See Page 312*
- General Accessories...*See Page 281*

304 S.S.		316 S.S.		Enclosure				Panel	
Part Number	Part Number	H1	H2	W	D	H	W		
2STFS747512SS	2STFS747512S16	74.13	79.49	75.13	12.13	68.00	68.00		
2STFS747518SS	2STFS747518S16	74.13	79.49	75.13	18.13	68.00	68.00		
2STFS747524SS	2STFS747524S16	74.13	79.49	75.13	24.13	68.00	68.00		

Stainless Steel Enclosures (Type 4X) Freestanding Enclosures

Aluminum Enclosures (Type 4X)



Type 4X Aluminum Junction Box
Eclipse Junior Series
Continuous Hinge Door with Quarter Turn 69



Type 4X Aluminum Junction Box
1414 N4 AL Series
Lift-Off Cover with Clamps..... 70



Type 4X/6P Diecast Aluminum Enclosures
1590Z Series
Watertight, Thick Wall, UL Listed..... 71



Type 4X Diecast Aluminum Enclosures
R100 Series
Watertight, Thick Wall..... 73



Type 4X Aluminum Wallmount Enclosure
1418 N4 AL Series
Continuous Hinge Door with Clamps..... 75

Aluminum Enclosures (Type 4X)

Type 4X Aluminum Junction Box *Eclipse Junior Series*

Continuous Hinge Door with Quarter Turn



Quick Link: hammfg.com/EJAL

Application

- Designed for use as instrument enclosures, electric, hydraulic or pneumatic control housings, electrical junction boxes or terminal wiring enclosures.
- Provides protection where equipment may be hosed down or otherwise be very wet, or in specific applications where corrosion may be a problem.

Standards

- UL 508A Type 3R, 4, 4X, 12, and 13
- CSA Type 3R, 4, 4X, 12, and 13
- Complies with
 - NEMA Type 3R, 4, 4X, 12 and 13
 - IEC 60529, IP66

Construction

- Formed from 0.08" Type 5052 H-32 aluminum.
- Smooth, continuously welded seams without knockouts, cutouts, or holes.
- Formed lip on enclosure to exclude flowing liquids and contaminants.
- Welded brackets provide for enclosure mounting.
- Continuously hinged cover has aluminum hinge and provides 180° opening.
- Door latches feature the added safety of quarter turn slot requiring use of tool for opening.
- Quarter turn latches formed from 316 stainless steel.
- Seamless poured-in place gasket.
- Models larger than 4"x4" include a removable 14 gauge galvanized inner panel.
- Tapped studs are provided for mounting inner panels.

- A bonding stud is provided on the door and a grounding stud is provided on the enclosure.
- Grounding and panel mounting hardware provided.

Finish

- Cover and enclosure are natural unfinished aluminum.
- Removable inner panel is unpainted galvanized steel.

Accessories

- Additional Inner Panels...*See Page 294*
- Swing Panel Kit...*See Page 302*
- Terminal Kit Assemblies...*See Page 302*
- Padlock Adaptor...*See Page 286*
- Quarter Turn Assemblies...*See Page 287*
- Climate Control...*See Page 244*
- General Accessories...*See Page 281*

Part No.	Enclosure			Panel	
	H	W	D	H	W
EJ443AL	4.00	4.00	3.00	N/A	N/A
EJ643AL	6.00	4.00	3.00	4.88	2.88
EJ863AL	8.00	6.00	3.50	6.75	4.88
EJ444AL	4.00	4.00	4.00	N/A	N/A
EJ644AL	6.00	4.00	4.00	4.88	2.88
EJ664AL	6.00	6.00	4.00	4.88	4.88
EJ884AL	8.00	8.00	4.00	6.75	6.88
EJ1084AL	10.00	8.00	4.00	8.75	6.88
EJ1264AL	12.00	6.00	4.00	10.75	4.88
EJ12124AL	12.00	12.00	4.00	10.75	10.88
EJ12105AL	12.00	10.00	5.00	10.75	8.88
EJ866AL	8.00	6.00	6.00	6.75	4.88
EJ1086AL	10.00	8.00	6.00	8.75	6.88
EJ10106AL	10.00	10.00	6.00	8.75	8.88
EJ12106AL	12.00	10.00	6.00	10.75	8.88
EJ12126AL	12.00	12.00	6.00	10.75	10.88
EJ14126AL	14.00	12.00	6.00	12.75	10.88
EJ16146AL	16.00	14.00	6.00	14.75	12.88
EJ12108AL	12.00	10.00	8.00	10.75	8.88
EJ14128AL	14.00	12.00	8.00	12.75	10.88
EJ16148AL	16.00	14.00	8.00	14.75	12.88
EJ161410AL	16.00	14.00	10.00	14.75	12.88

 Junction Boxes
Aluminum Enclosures (Type 4X)

Type 4X Aluminum Junction Box *1414 N4 AL Series*

Lift-Off Cover with Clamps

Aluminum Enclosures (Type 4X)

Junction Boxes



Quick Link: hammfg.com/1414N4AL

Application

- Designed for use as instrument enclosures, electric, hydraulic or pneumatic control housings, electrical junction boxes or terminal wiring enclosures.
- Provides protection where equipment may be hosed down or otherwise be very wet, or in specific applications where corrosion is a problem.

Standards

- UL 508A Type 4, 4X, 12 and 13
- CSA Type 4, 4X, 12 and 13
- Complies with
 - NEMA Type 4, 4X, 12 and 13
 - IEC 60529, IP66

Construction

- Formed from 0.08" Type 5052 H-32 aluminum.
- Smooth, continuously welded seams without knockouts, cutouts or holes.
- Welded brackets provide for enclosure mounting.
- Cover is secured with easily operated aluminum clamps.
- Seamless poured-in place gasket.
- All models larger than 4" x 4" include a removable 14 gauge inner panel.
- Tapped studs are provided for mounting inner panels.
- A bonding stud is provided on the door and a grounding stud is provided in the enclosure.

Finish

- Cover and enclosure are natural unfinished aluminum.
- Removable inner panel is finished in white powder coating.

Accessories

- Additional Inner Panels...*See Page 294*
- Swing Panel Kit...*See Page 302*
- Door Clamping Hardware...*See Page 282*
- Terminal Kit Assemblies...*See Page 302*
- Climate Control...*See Page 244*
- General Accessories...*See Page 281*

Part No.	Enclosure			Panel	
	H	W	D	H	W
1414N4ALA	4.00	4.00	3.00	-	-
1414N4ALC	6.00	4.00	3.00	4.88	2.88
1414N4ALE	6.00	6.00	4.00	4.88	4.88
1414N4ALG	8.00	6.00	3.50	6.75	4.88
1414N4ALI	10.00	8.00	4.00	8.75	6.88
1414N4ALK	12.00	10.00	5.00	10.75	8.88
1414N4ALM6	14.00	12.00	6.00	12.75	10.88
1414N4ALO6	16.00	14.00	6.00	14.75	12.88
1414N4ALM8	14.00	12.00	8.00	12.75	10.88
1414N4ALO10	16.00	14.00	10.00	14.75	12.88

Type 4X/6P Diecast Aluminum Enclosures *1590Z Series*

Watertight, Thick Wall, UL Listed



Quick Link: hammfg.com/1590Z

Application

- Rugged, diecast aluminum alloy (tough yet easy to machine), electronic instrument enclosure.

Standards

- Designed to meet IP68.
- All sizes except 1590Z060** carry an impact rating of IK08 per IEC62262
- North American Mark of Safety - cUL & UL listed. Certified to Type 4, 4X, 6, 6P.

Construction

- Two piece “tongue & groove” construction with a one piece silicone rubber gasket provides protection against access of dust and water.
- Four recessed stainless steel machine screws secure lid into tapped holes. Ideal for repetitive opening and closing.
- Easy to wall mount using “through box - blind hole” construction, outside of gasket protection.
- Lid screws are self captivated (lid holes are threaded with the first installation of lid screws). (NOTE: Except for 1590Z060, 1590Z061, 1590Z062, and 1590Z063)

Finish

- Unpainted versions are a natural aluminum finish.
- Painted versions are painted inside and out with a tough powder paint. Choice of satin black or smooth grey (RAL 7001).
- Optional inner panels are unpainted galvanized steel (16 gauge).

Accessories

- Pressure Compensation Plug...*See Page 272*
- Breather Kit...*See Page 273*
- Small Rainproof Ventilator...*See Page 272*
- Liquid-Tight, Strain Relief Cordgrips...*See Page 316*

Part Number	Color	Enclosure				Optional Inner Panel
		Internal Mounting Shelf	H	W	D (Less Lid)	
1590Z060	Natural	NO	1.98	1.77	0.95	
1590Z060BK	Black	NO	1.98	1.77	0.95	
1590Z060GY	Grey	NO	1.98	1.77	0.95	
1590Z061	Natural	NO	2.51	2.29	1.03	
1590Z061BK	Black	NO	2.51	2.29	1.03	
1590Z061GY	Grey	NO	2.51	2.29	1.03	
1590Z100	Natural	YES	2.94	3.14	1.57	1590Z100PL
1590Z100BK	Black	YES	2.94	3.14	1.57	1590Z100PL
1590Z100GY	Grey	YES	2.94	3.14	1.57	1590Z100PL
1590Z110	Natural	NO	2.94	3.14	1.57	
1590Z110BK	Black	NO	2.94	3.14	1.57	
1590Z110GY	Grey	NO	2.94	3.14	1.57	
1590Z062	Natural	NO	3.86	2.52	1.03	
1590Z062BK	Black	NO	3.86	2.52	1.03	
1590Z062GY	Grey	NO	3.86	2.52	1.03	
1590Z119	Natural	YES	4.80	4.72	2.36	1590Z119PL
1590Z119BK	Black	YES	4.80	4.72	2.36	1590Z119PL
1590Z119GY	Grey	YES	4.80	4.72	2.36	1590Z119PL
1590Z120	Natural	YES	4.90	3.15	1.75	1590Z120PL
1590Z120BK	Black	YES	4.90	3.15	1.75	1590Z120PL
1590Z120GY	Grey	YES	4.90	3.15	1.75	1590Z120PL
1590Z063	Natural	NO	5.89	2.51	1.03	

Type 4X/6P Diecast Aluminum Enclosures *1590Z Series*

Watertight, Thick Wall, UL Listed

Aluminum Enclosures (Type 4X) Junction Boxes

Part Number	Color	Internal Mounting Shelf	Enclosure			Optional Inner Panel
			H	W	D (Less Lid)	
1590Z063BK	Black	NO	5.89	2.51	1.03	
1590Z063GY	Grey	NO	5.89	2.51	1.03	
1590Z090	Natural	YES	5.51	5.51	2.36	1590Z090PL
1590Z090BK	Black	YES	5.51	5.51	2.36	1590Z090PL
1590Z090GY	Grey	YES	5.51	5.51	2.36	1590Z090PL
1590Z160	Natural	YES	6.30	6.30	2.76	1590Z160PL
1590Z160BK	Black	YES	6.30	6.30	2.76	1590Z160PL
1590Z160GY	Grey	YES	6.30	6.30	2.76	1590Z160PL
1590Z130	Natural	NO	6.91	3.15	1.65	
1590Z130BK	Black	NO	6.91	3.15	1.65	
1590Z130GY	Grey	NO	6.91	3.15	1.65	
1590Z135	Natural	NO	6.91	3.15	1.65	
1590Z135BK	Black	NO	6.91	3.15	1.65	
1590Z135GY	Grey	NO	6.91	3.15	1.65	
1590Z150	Natural	YES	8.70	4.74	2.39	1590Z150PL
1590Z150BK	Black	YES	8.70	4.74	2.39	1590Z150PL
1590Z150GY	Grey	YES	8.70	4.74	2.39	1590Z150PL
1590Z155	Natural	YES	8.70	4.72	2.40	1590Z150PL
1590Z155BK	Black	YES	8.70	4.72	2.40	1590Z150PL
1590Z155GY	Grey	YES	8.70	4.72	2.40	1590Z150PL
1590Z231	Natural	YES	9.06	7.87	3.63	1590Z231PL
1590Z231BK	Black	YES	9.06	7.87	3.63	1590Z231PL
1590Z231GY	Grey	YES	9.06	7.87	3.63	1590Z231PL
1590Z140	Natural	YES	9.85	3.13	1.57	1590Z140PL
1590Z140BK	Black	YES	9.85	3.13	1.57	1590Z140PL
1590Z140GY	Grey	YES	9.85	3.13	1.57	1590Z140PL
1590Z162	Natural	YES	10.24	6.30	2.75	1590Z162PL
1590Z162BK	Black	YES	10.24	6.30	2.75	1590Z162PL
1590Z162GY	Grey	YES	10.24	6.30	2.75	1590Z162PL
1590Z163	Natural	YES	10.24	6.31	5.51	1590Z163PL
1590Z163BK	Black	YES	10.24	6.31	5.51	1590Z163PL
1590Z163GY	Grey	YES	10.24	6.31	5.51	1590Z163PL
1590Z235	Natural	YES	13.07	9.13	4.36	1590Z235PL
1590Z235BK	Black	YES	13.07	9.13	4.36	1590Z235PL
1590Z235GY	Grey	YES	13.07	9.13	4.36	1590Z235PL
1590Z166	Natural	YES	14.17	6.30	2.76	1590Z166PL
1590Z166BK	Black	YES	14.17	6.30	2.76	1590Z166PL
1590Z166GY	Grey	YES	14.17	6.30	2.76	1590Z166PL
1590Z164	Natural	YES	14.23	4.72	2.38	1590Z164PL
1590Z164BK	Black	YES	14.23	4.72	2.38	1590Z164PL
1590Z164GY	Grey	YES	14.23	4.72	2.38	1590Z164PL
1590Z250	Natural	YES	15.75	9.06	6.30	1590Z250PL
1590Z250BK	Black	YES	15.75	9.06	6.30	1590Z250PL
1590Z250GY	Grey	YES	15.75	9.06	6.30	1590Z250PL

Type 4X Diecast Aluminum Enclosures *R100 Series*

Watertight, Thick Wall



Quick Link: hammfg.com/R100

Application

- Designed for use as electronic instrument enclosure, electrical junction box, or terminal wiring enclosure.

Standards

- Degree of protection NEMA 4X, IP66, DIN 40050
- CSA certified, UL Listed, Type 4, for use with industrial control equipment.

Construction

- Material - Aluminum die-cast: G Al SI 12 / DIN 1775
- Shallow lid, deep body
- Captive stainless steel lid screws. Lid screws and mounting holes outside of the gasket seal.
- Space saving single channel mounting (ie...same hole used for mounting enclosure through rear and also for the lid), provides larger interior space than dual channel enclosures.
- Enclosure holes threaded for easy installation and repetitive assembly & disassembly.
- Internal mounting shelves placed along both sides of enclosure include blind holes and grounding screws.
- Special developed external mounting feet made from zinc-die-cast. Can be turned through 90°.
- The fastening holes have engagement lugs for this purpose. (See table)
- All sizes have inner blind holes.
- Neoprene oil and petrol resistant gasket standard. (-40°C up to +80°C)
- An inner mounting panel - made of zinc-plated steel is also available (See table)

Finish

- Textured polyester powder coat in beige RAL7032 or light grey RAL7035. (can be supplied unpainted on special order)

Type 4X Diecast Aluminum Enclosures *R100 Series*

Watertight, Thick Wall

RAL7032 Beige Part No.	RAL7035 Lt Gray Part No.	Enclosure			Foot Kit Part No.	Optional Accessories	
		H	W	D (Including Lid)		Inner Panel Part No.	Hinge Kit Part No.
R100-060-000	R100-060-035	50	65	40	N/A	N/A	N/A
R100-062-000	R100-062-035	65	65	40	N/A	R507-062-000	N/A
R100-064-000	R100-064-035	100	65	40	N/A	R507-064-000	N/A
R100-066-000	R100-066-035	150	65	40	N/A	R507-066-000	N/A
R100-080-000	R100-080-035	80	80	60	R501-002-080	R507-080-000	N/A
R100-082-000	R100-082-035	120	80	60	R501-002-080	R507-082-000	N/A
R100-084-000	R100-084-035	160	80	60	R501-002-080	R507-084-000	N/A
R100-100-000	R100-100-035	100	100	80	R501-002-100	R507-100-000	N/A
R100-102-000	R100-102-035	150	100	80	R501-002-100	R507-102-000	R510-000-000
R100-104-000	R100-104-035	200	100	80	R501-002-100	R507-104-000	R510-000-000
R100-120-000	R100-120-035	120	120	100	R501-000-011	R507-120-000	R510-000-000
R100-122-000	R100-122-035	180	120	100	R501-000-011	R507-122-000	R510-000-000
R100-124-000	R100-124-035	240	120	100	R501-000-011	R507-124-000	R510-000-000
R100-160-000	R100-160-035	160	160	100	R501-000-012	R507-160-000	R510-000-000
R100-162-000	R100-162-035	240	160	100	R501-000-012	R507-162-000	R510-000-000
R100-164-000	R100-164-035	320	160	100	R501-000-012	R507-164-000	R510-000-000
R100-166-000	R100-166-035	480	160	100	R501-000-012	R507-166-000	R510-000-000
R100-200-000	R100-200-035	200	200	120	N/A	R507-200-000	R510-000-000
R100-202-000	R100-202-035	300	200	120	N/A	R507-202-000	R510-000-000
R100-204-000	R100-204-035	400	200	120	N/A	R507-204-000	R510-000-000
R100-240-000	R100-240-035	240	240	120	N/A	R507-240-000	R510-000-000
R100-242-000	R100-242-035	360	240	120	N/A	R507-242-000	R510-000-000
R100-244-000	R100-244-035	480	240	120	N/A	R507-244-000	R510-000-000
R100-320-000	R100-320-035	320	320	120	N/A	R507-320-000	R510-000-000
R100-322-000	R100-322-035	480	320	120	N/A	R507-322-000	R510-000-000
R100-324-000	R100-324-035	640	320	120	N/A	R507-324-000	R510-000-000

Note: Table dimensions in mm.

Aluminum Enclosures (Type 4X)

Junction Boxes

Type 4X Aluminum Wallmount Enclosure *1418 N4 AL Series*

Continuous Hinge Door with Clamps



Quick Link: hammfg.com/1418N4AL

Application

- Designed for use as instrument enclosures, electric, hydraulic or pneumatic control housings, electrical junction boxes or terminal wiring enclosures.
- Provides protection where equipment may be hosed down or otherwise be very wet, or in specific applications where corrosion may be a problem.

Standards

- UL 508A Type 4, 4X, 12 and 13
- CSA Type 4, 4X, 12 and 13
- Complies with
 - NEMA Type 4, 4X, 12 and 13
 - IEC 60529, IP66

Construction

- Formed from 0.081" (Body) / 0.100" (Door) Type 5052 H-32 aluminum.
- Smooth, continuously welded seams without knockouts, cutouts or holes.
- Door and body stiffeners are provided in the larger enclosures for extra rigidity.
- Welded brackets provide for enclosure mounting.
- Formed lip on door and enclosure excludes flowing liquids and contaminants.
- Aluminum continuous hinge on door may be removed by pulling the aluminum hinge pin.
- Door is secured with easily operated aluminum clamps.
- Provision for padlocking.
- Seamless poured-in place gasket.
- A removable 12 gauge steel inner panel is included.
- Collar studs are provided for mounting inner panels.
- A bonding stud is provided on the door and a grounding stud is provided in the enclosure.
- A literature pocket is provided for the inside of the door.

Finish

- Cover and enclosure are natural unfinished aluminum.
- Removable inner panel is finished in white powder coating.





















Accessories

- Additional Inner Panels...*See Page 295*
- Perforated Inner Panels...*See Page 299*
- Door Stop Kit...*See Page 320*
- Door Clamping Hardware...*See Page 282*
- Window Kits...*See Page 308*
- Lock kit...*See Page 285*
- Climate Control...*See Page 244*
- Lighting...*See Page 312*
- General Accessories...*See Page 281*

Part No.	Enclosure			Panel	
	H	W	D	H	W
1418N4ALB6	16.00	12.00	6.00	13.00	9.00
1418N4ALC6	20.00	16.00	6.00	17.00	13.00
1418N4ALE6	24.00	20.00	6.00	21.00	17.00
1418N4ALJ8	24.00	24.00	8.00	21.00	21.00
1418N4ALK8	30.00	24.00	8.00	27.00	21.00
1418N4ALM8	36.00	30.00	8.00	33.00	27.00
1418N4ALS8	48.00	36.00	8.00	45.00	33.00
1418N4ALC10	20.00	16.00	10.00	17.00	13.00
1418N4ALE10	24.00	20.00	10.00	21.00	17.00
1418N4ALK12	30.00	24.00	12.00	27.00	21.00
1418N4ALM12	36.00	30.00	12.00	33.00	27.00
1418N4ALT12	60.00	36.00	12.00	57.00	33.00

Non-Metallic Enclosures (Type 4X)

Non-Metallic Enclosures (Type 4X)

	Type 4X, 6P Polycarbonate Enclosures 1554 Series Watertight, Flat Lid, UL Listed Options 78		Type 4X Polyester Junction Box w/ Raised Lid (Solid and Window) PJ Series Continuous Hinge Door with Twist Latches 90
	Type 4X, 6P Enclosures 1555F Series Watertight, Flanged Lid, UL Listed Options 80		Type 4X Polyester Junction Box (Solid and Clear Cover) PJU Series Continuous Hinge Door with Snap Latches 91
	Type 4X, 6P Polycarbonate Enclosures 1557 Series Water-Tight, Multiple Mounting Features 81		Type 4X Polyester Junction Box (Solid and Clear Cover) PJU Series Continuous Hinge Door with Twist Latches 92
	Water-Tight Polyester R130-131-132 Series Hinged Cover - PolyDOOR Series 82		Type 4X Polyester Junction Box (Solid and Clear Cover) PJU Series Lift-Off Cover with Screws 93
	Type 4, 4X Glass Reinforced Polyester Enclosures 1590ZGRP Series Watertight, Thick Wall, NEMA 4X, IP65, UL Listed 83		Type 4X Polyester Junction Box (Solid and Clear Cover) PJU Series Continuous Hinge Door with Screws 94
	Type 4, 4X Polyester Inline Enclosure PJI Series 84		Type 4X Polyester Junction Box w/ Window PJU Series Various Door Styles 95
	Type 4X Polyester Junction Box PJ Series Lift-Off Cover/Hinged Door with Screws 85		Type 4X Polycarbonate Junction Box (Solid and Clear Cover) PCJ Series Lift-Off Screw Cover 96
	Type 4X Polyester Junction Box PJ Series Continuous Hinge Door with Twist/Snap Latches 86		Type 4X Polycarbonate Junction Box (Solid and Clear Cover) PCJ Series Hinged Screw Cover 97
	Type 4X Polyester Junction Box w/ Window PJ Series Various Door Styles 87		Type 4X Polycarbonate Junction Box (Solid and Clear Cover) PCJ Series Non-Metallic Latch Cover 98
	Type 4X Polyester Junction Box w/ Raised Lid (Solid and Window) PJ Series Lift-Off Cover/Hinged Door with Screws 88		Type 4X Polycarbonate Junction Box (Solid and Clear Cover) PCJ Series Metal Latch Cover 99
	Type 4X Polyester Junction Box w/ Raised Lid (Solid and Window) PJ Series Continuous Hinge Door with Snap Latches 89		Type 4X Fiberglass Junction Box PJHD Series Heavy Duty PJ Snap Latch 100

Non-Metallic Enclosures (Type 4X)



Type 4X Polyester Wallmount Enclosure
PJW Series
Continuous Hinge Door with Twist Latches
and 3 Pt Handle..... 101



Type 4X Polyester Wallmount Enclosure
PHW Series
Continuous Hinge Door with Twist Latches 102



Type 4X Polyester Single/Two Door Freestanding
Enclosure
PJFS Series
Continuous Hinge Door with Handle 103

Type 4X, 6P Polycarbonate Enclosures 1554 Series

Watertight, Flat Lid, UL Listed Options



Quick Link: hammfg.com/1554

Application

- Ideally suited for mounting printed circuit boards or DIN rail mounted components.

Standards

- Designed to meet NEMA Type 4, 4X, 6, 6P, 12 & 13 ratings which meet and exceed IP ratings up to and including IP68. (Except 1554 V size which is 4,4X only)
- cUL and UL 508A listed (File # E65324).
- UV stabilized for outdoor use. Gray polycarb carries a UL94-5VA rating, while clear and smoked lids carry a UL94V-0 rating.

Construction

- Gasketed lid with two piece “tongue & groove” construction provides protection against access of oil, dust and water.
- Gasket is one piece made from high temperature, UL listed silicone.
- Wall-mounting holes are located outside of the gasket channel.
- Same wall mounting holes can be used to install an accessory foot kit, 1554FT
- Lid is secured with included M4 stainless steel machine screws which are threaded into integral stainless steel bushings for repetitive assembly & disassembly. All hardware is stainless steel to avoid corrosion caused by dissimilar metals.
- Lid screws are self capturing (lid holes are threaded with the first installation of lid screws).
- Internal features are maximized for mounting options and vary with size:
- Internal DIN rail mounting tabs molded into most models, except sizes “C” and “D”.
- Threaded (M3) integral brass inserts and/or standoffs (#6 self tapping screws) for P.C. board or inner panel mounting in all but the smallest size (“B”).
- Vertical P.C. card guides (for 1.5 mm thick P.C. boards) are molded in all but the smallest size (“B”).

Finish

- Enclosure color is a light gray (RAL 7035).
- Available with gray, clear, or smoked lid.

Accessories

- Breather Kit...*See Page 273*
- Small Rainproof Ventilator...*See Page 272*
- Pressure Compensation Plug...*See Page 272*

Non-Metallic Enclosures (Type 4X)

Junction Boxes

Type 4X, 6P Polycarbonate Enclosures *1554 Series*

Watertight, Flat Lid, UL Listed Options

Solid Gray Lid Part No.	Clear Lid Part No.	Smoked Lid Part No.	H	W	D (w/lid)	Inner Panel	Foot Kit
1554B2GY	1554B2GYCL	1554B2GYSL	2.60	2.60	1.60	1554BPL	1554FT
1554E2GY	1554E2GYCL	1554E2GYSL	3.50	3.50	2.40	1554EPL	1554FT
1554EE2GY	1554EE2GYCL	1554EE2GYSL	3.50	3.50	3.50	1554EPL	1554FT
1554L2GY	1554L2GYCL	1554L2GYSL	4.13	4.13	2.36	1554LPL	1554FT
1554LA2GY	1554LA2GYCL	1554LA2GYSL	4.13	4.13	3.54	1554LPL	1554FT
1554C2GY	1554C2GYCL	1554C2GYSL	4.70	2.60	1.60	1554CPL	1554FT
1554D2GY	1554D2GYCL	1554D2GYSL	4.70	2.60	2.40	1554CPL	1554FT
1554F2GY	1554F2GYCL	1554F2GYSL	4.70	3.50	2.40	1554FPL	1554FT
1554G2GY	1554G2GYCL	1554G2GYSL	4.70	3.50	3.15	1554FPL	1554FT
1554N2GY	1554N2GYCL	1554N2GYSL	4.70	4.70	2.40	1554NPL	1554FT
1554P2GY	1554P2GYCL	1554P2GYSL	4.70	4.70	3.50	1554NPL	1554FT
1554Q2GY	1554Q2GYCL	1554Q2GYSL	5.51	5.51	2.36	1554QPL	1554FT
1554QA2GY	1554QA2GYCL	1554QA2GYSL	5.51	5.51	3.54	1554QPL	1554FT
1554J2GY	1554J2GYCL	1554J2GYSL	6.30	3.50	2.40	1554JPL	1554FT
1554K2GY	1554K2GYCL	1554K2GYSL	6.30	3.50	3.50	1554JPL	1554FT
1554R2GY	1554R2GYCL	1554R2GYSL	6.30	6.30	2.40	1554RPL	1554FT
1554S2GY	1554S2GYCL	1554S2GYSL	6.30	6.30	3.50	1554RPL	1554FT
1554H2GY	1554H2GYCL	1554H2GYSL	7.10	4.70	2.40	1554HPL	1554FT
1554T2GY	1554T2GYCL	1554T2GYSL	7.10	4.70	3.50	1554HPL	1554FT
1554W2GY	1554W2GYCL	1554W2GYSL	7.10	7.10	2.36	1554WPL	1554FT
1554WA2GY	1554WA2GYCL	1554WA2GYSL	7.10	7.10	3.54	1554WPL	1554FT
1554U2GY	1554U2GYCL	1554U2GYSL	7.90	4.70	3.50	1554UPL	1554FT
1554V2GY	1554V2GYCL	1554V2GYSL	9.40	6.30	3.50	1554VPL	1554FT
1554VA2GY	1554VA2GYCL	1554VA2GYSL	9.40	6.30	3.50	1554VAPL	1554FT
1554VB2GY	1554VB2GYCL	1554VB2GYSL	9.40	6.30	4.70	1554VAPL	1554FT
1554X2GY	1554X2GYCL	1554X2GYSL	11.81	7.87	3.54	1554XPL	1554FT-XY
1554XA2GY	1554XA2GYCL	1554XA2GYSL	11.81	7.87	4.72	1554XPL	1554FT-XY
1554Y2GY	1554Y2GYCL	1554Y2GYSL	11.81	9.45	3.74	1554YPL	1554FT-XY
1554YA2GY	1554YA2GYCL	1554YA2GYSL	11.81	9.45	4.72	1554YPL	1554FT-XY

Non-Metallic Enclosures (Type 4X) Junction Boxes

Type 4X, 6P Enclosures 1555F Series

Watertight, Flanged Lid, UL Listed Options



Quick Link: hammfg.com/1555F

Application

- Designed for harsh industrial environments or outdoor applications (security, outdoor wireless, controls etc. etc.)
- Ideally suited for mounting printed circuit boards, panels or DIN rail mounted components. Cover features a smooth recessed area perfect for membrane keypads or labels. Base features robust mounting flanges capable of withstanding abuse.
- Designed for wall mounting. Interior is secure as lid screws are behind the lid. Can be made more secure if wall mounted with security screws (tamper resistant screws).

Standards

- Designed to meet NEMA Type 4, 4X, 6, 6P, 12 & 13 ratings which meet and exceed IP ratings up to and including IP68.
- UL 508A listed (File # E65324).
- Polycarbonate material carries a UL flammability rating of UL94 5VA @ 3mm - Recommended for outdoor use.

Construction

- Flanged lid is secured with self capturing M4 stainless steel machine screws (included), threaded into integral stainless steel bushings for repetitive assembly & disassembly. All hardware is stainless steel to avoid corrosion caused by dissimilar metals.
- Flanged lid screws are self capturing (lid holes are threaded with the first installation of lid screws).
- Internal features are maximized for mounting options and vary with size:
 - Internal DIN rail mounting tabs molded into lid (except smaller 1555CF22 & 1555CF42 enclosures).
 - Standoffs (#6 self tapping screws) for P.C. board or inner panel
- Standoffs molded in the interior of the lid & enclosure - designed for #4 x 1/4" self tapping screws (our part number 1555TS100)
- Gasket is one piece made from high temperature, U.L. listed silicone.
- Gasketed lid with two piece "tongue & groove" construction provides protection against access of oil, dust and water.
- Optional galvanized steel inner panels are available.

Finish

- Color is a light gray (RAL 7035) to help keep heat absorption down.
- Satin texture finish with smooth recessed surface on lid for a membrane keypad or label.

Accessories

- Breather Kit...*See Page 273*
- Pressure Compensation Plug...*See Page 272*
- Small Rainproof Ventilator...*See Page 272*
- Liquid-Tight, Strain Relief Cordgrrips...*See Page 316*

Part Number	H	W	D	Optional Inner Panel
1555B2F22GY	2.56	2.56	1.67	1555BFPL
1555E2F17GY	3.55	3.55	1.48	1555EFPL
1555E2F42GY	3.55	3.55	2.46	1555EFPL
1555C2F22GY	4.70	2.60	1.65	1555CFPL
1555C2F42GY	4.70	2.60	2.44	1555CFPL
1555F2F17GY	4.70	3.60	1.47	1555FFPL
1555F2F42GY	4.70	3.60	2.44	1555FFPL
1555N2F17GY	4.70	4.70	1.47	1555NFPL
1555N2F42GY	4.70	4.70	2.44	1555NFPL
1555J2F17GY	6.30	3.60	1.47	1555JFPL
1555J2F42GY	6.30	3.60	2.44	1555JFPL
1555R2F17GY	6.30	6.30	1.48	1555RFPL
1555R2F42GY	6.30	6.30	2.46	1555RFPL
1555H2F17GY	7.10	4.70	1.47	1555HFPL
1555H2F42GY	7.10	4.70	2.44	1555HFPL

Type 4X, 6P Polycarbonate Enclosures *1557 Series*

Water-Tight, Multiple Mounting Features



Quick Link: hammfg.com/1557

Application

- Ideally suited for mounting printed circuit boards. Also accommodate optional inner mounting panels.
- Can be used in a tabletop configuration or two different wall-mount configurations (external mounting feet or direct mount).

Standards

- Designed to meet IP68. NEMA 4, 4X, 6, 6P.
- cUL and UL 508A listed (File # E65324).
- UV stabilized for outdoor use and carry a UL94-5VA flammability rating. For indoor or outdoor use.

Construction

- Rounded corners and face provide a more modern look while still offering superior water-tight ratings.
- Gasketed lid with two piece "tongue & groove" construction provides protection against access of oil, dust and water.
- Gasket is one piece made from high temperature, U.L. listed silicone.
- Lid is secured with included M4 stainless steel machine screws which are threaded into corrosion resistant bushings for repetitive assembly & disassembly. All hardware is designed to avoid corrosion caused by harsh environments over time.

Finish

- Enclosure color is available in light gray (RAL 7035) or black.

Accessories

- Liquid-Tight Cordgrips (Nylon)...*See Page 316*
- Liquid-Tight Cordgrips (Nickel Plated Brass)...*See Page 316*
- Breather Kit...*See Page 273*
- Pressure Compensation Plug...*See Page 272*

Black Polycarbonate Part No.	Light Gray Polycarbonate Part No.	H	W	D (w/ lid)	Inner Panel (Optional)
1557B2BK	1557B2GY	80	80	45	1557BPL
1557BA2BK	1557BA2GY	80	80	60	1557BPL
1557D2BK	1557D2GY	120	120	45	1557DPL
1557DA2BK	1557DA2GY	120	120	70	1557DPL
1557F2BK	1557F2GY	160	160	45	1557FPL
1557FA2BK	1557FA2GY	160	160	70	1557FPL
1557H2BK	1557H2GY	200	200	45	1557HPL
1557HA2BK	1557HA2GY	200	200	70	1557HPL

Note: Table dimensions in mm.

Water-Tight Polyester R130-131Series

Hinged Cover - PolyDOOR Series



Quick Link: hammfg.com/R130

Application

- Designed for use as instrument enclosures, electrical junction boxes or terminal wiring enclosures.
- Provide outstanding protection against dust, oil and pressurized water. Impervious to atmospheric and marine corrosion.
- Window version provides visibility of internal meters, indicators, components, etc.

Standards

- NEMA Type 1, 2, 3, 3R, 4, 4X, 5, 12 and 13
- IEC 529, IP66
- V0 Flammability Rating
- CSA certified, Type 4, for use with industrial control equipment

Construction

- Solid lid and Window lid versions available.
- Two piece molded fiberglass reinforced polyester construction.
- Single channel lid and enclosure fastening access - for maximum internal space (ie, lid mounting hole doubles as the access to the bottom hole to mount enclosure to the wall). Outside the gasket seal and includes stainless steel inserts.
- Captive polyfibre, corrosion resistant, cover screws are provided with a standard slot head.
- Cover screws fasten into pre-threaded holes.
- Spring loaded stainless steel hinge pins are standard, allowing for quick lid removal.
- Recessed neoprene gasket with tongue and groove construction is oil and petroleum resistant.
- Threaded M6 stainless steel inserts provide for internal mounting.

Finish

- Light beige RAL 7032, Pantone 413

Non-Metallic Enclosures (Type 4X)

Junction Boxes

Hinged Solid Part No.	Hinged w/Window Part No.	Width	Length	Depth	Optional Inner Panel
R130-120-000	R131-120-000	120	140	100	R530-120-000
R130-122-000	R131-122-000	120	200	100	R530-122-000
R130-124-000	R131-124-000	120	260	100	R530-124-000
R130-160-000	R131-160-000	160	180	100	R530-160-000
R130-162-000	R131-162-000	160	260	100	R530-162-000
R130-164-000	R131-164-000	160	340	100	R530-164-000
R130-200-000	R131-200-000	200	220	120	R530-200-000
R130-202-000	R131-202-000	200	320	120	R530-202-000

Note: Table dimensions in mm.

Type 4, 4X Glass Reinforced Polyester Enclosures *1590ZGRP Series*

Watertight, Thick Wall, NEMA 4X, IP65, UL Listed



Quick Link: hammfg.com/1590ZGRP

Application

- Designed for use as instrument enclosures, electrical junction boxes or terminal wiring enclosures.
- Provide outstanding protection against dust, dirt, and water.

Standards

- cUL & UL listed. Industrial Control Panel Enclosure Certified to NEMA 4, 4X standards (UL 508A) - File #E65324
- IP66 Rated, Impact rating of IK08 per IEC62262

Construction

- Includes gasketed lid with two piece "tongue & groove" construction.
- Heavy duty, thick wall design.
- Lid contains self captivated stainless steel screws.
- Wall-mounting holes are located outside the gasket perimeter.
- Easy wall mounting via "through box - blind hole" construction, outside of the gasket protection (see photos below).
- Gasket material is Mohogumi rubber (EDPM). Heat resistance 100-120 degree C, cold -40 degree C
- Internal mounting shelf (for optional inner panels or PC boards) and bonding / mounting nuts molded in.
- Optional 16 gauge, galvanized steel inner panels available.
- Optional hinge kit, part number 1427HK molded from tough polyester. Note: with hinges installed, all four lid screws are required to maintain a proper seal.
- Note: While virtually identical, there are some very minor construction variations between grey and black versions - validate by reviewing individual part drawings.

Finish

- Molded from a either grey or black, glass reinforced polyester. Smooth finish.

Accessories

- Pressure Compensation Plug...*See Page 272*
- Breather Kit...*See Page 273*
- Small Rainproof Ventilator...*See Page 272*
- Liquid-Tight, Strain Relief Cordgrips...*See Page 316*

Grey Part Number	Black Part Number	Enclosure			Optional Inner Panel
		H	W	D (w/lid)	
1590ZGRP081	1590ZGRP081BK	3.17	2.97	2.17	1590ZGRP081PL
1590ZGRP084	1590ZGRP084BK	3.17	2.97	2.95	1590ZGRP081PL
1590ZGRP082	1590ZGRP082BK	4.32	2.94	2.17	1590ZGRP082PL
1590ZGRP121	1590ZGRP121BK	4.72	4.78	3.57	1590ZGRP121PL
1590ZGRP083	1590ZGRP083BK	6.30	2.94	2.17	1590ZGRP083PL
1590ZGRP161	1590ZGRP161BK	6.30	6.30	3.56	1590ZGRP161PL
1590ZGRP131	1590ZGRP131BK	7.48	2.94	2.17	1590ZGRP131PL
1590ZGRP233	1590ZGRP233BK	7.87	9.84	4.54	1590ZGRP233PL
1590ZGRP123	1590ZGRP123BK	8.66	4.72	3.56	1590ZGRP123PL
1590ZGRP234	1590ZGRP234BK	10.04	9.87	4.73	1590ZGRP234PL
1590ZGRP235	1590ZGRP235BK	10.04	9.87	6.32	1590ZGRP234PL
1590ZGRP162	1590ZGRP162BK	10.24	6.30	3.56	1590ZGRP162PL
1590ZGRP163	1590ZGRP163BK	14.20	6.30	3.54	1590ZGRP163PL
1590ZGRP243	1590ZGRP243BK	15.75	9.84	4.73	1590ZGRP243PL
1590ZGRP244	1590ZGRP244BK	15.75	9.84	6.30	1590ZGRP243PL
1590ZGRP253	1590ZGRP253BK	15.94	15.75	4.72	1590ZGRP253PL
1590ZGRP263	1590ZGRP263BK	23.62	9.84	4.72	1590ZGRP263PL
1590ZGRP264	1590ZGRP264BK	23.62	9.84	6.30	1590ZGRP263PL

Type 4, 4X Polyester Inline Enclosure *PJ Series*

Non-Metallic Enclosures (Type 4X) Junction Boxes



Quick Link: hammfg.com/PJI

Application

- Designed for use as instrument enclosures, electric, hydraulic or pneumatic control housings, electrical junction boxes or terminal wiring enclosures.
- Provides outstanding insulation and protection where equipment may be hosed down or become very wet.
- Ideal in applications with high temperatures or highly corrosive environments.

Standards

- UL 508A Type 1, 2, 3, 4, 4X, 12 and 13
- CSA Type 1, 2, 3, 4, 4X, 12 and 13
- Complies with
 - NEMA Type 1, 2, 3, 4, 4X, 12 and 13
 - IEC 60529, IP66

Construction

- Molded fiberglass polyester enclosure with matching cover is easily punched, cut, or drilled.
- Threaded brass inserts are provided for optional inner panel.
- Cover is fastened with captive stainless steel screws in threaded brass inserts.
- Captive oil-resistant gasket provides a positive seal.
- Mounting through rear holes on enclosure. Use #8 x 1 inch screw (not included).
- Enhanced UV inhibitors protect against outdoor weathering.
- Available with and without mounting feet.
- Operating temperatures between 130°C and -40°C (266°F to -40°F).
- Impact index of 6.78J (5 ft/lb).
- For corrosion resistance information, please refer to table in Technical Information.

Finish

- Fiberglass polyester material has a gray finish.
- Optional aluminum inner panel natural finish.

With Feet		Enclosure			Optional Aluminum Panel		
Part No.	Without Feet Part No.	H	W	D	Part No.	H	W
PJ744	PJ744FS	6.74	3.93	3.88	PJP74	4	3.13
PJ944	PJ944FS	8.99	3.93	3.88	PJP94	6.25	3.13

Type 4X Polyester Junction Box *PJ Series*

Lift-Off Cover/Hinged Door with Screws



Quick Link: hammfg.com/PJ

Application

- Designed for use as instrument enclosures, electric, hydraulic or pneumatic control housings, electrical junction boxes or terminal wiring enclosures.
- Provides outstanding insulation and protection where equipment may be hosed down or be very wet.
- Ideal in applications with high temperatures or highly corrosive environments.

Standards

- UL 508A Type 1, 2, 3, 4, 4X, 12 and 13
- UL 508A Type 6P (see table)
- CSA Type 1, 2, 3, 4, 4X, 12 and 13
- CSA Type 6P (see table)
- Complies with
 - NEMA Type 1, 2, 3, 4, 4X, 12 and 13
 - IEC 60529, IP66 (for IP68 - see table)

Lift-Off Cover Part No.	Hinged Cover Part No.	Enclosure			Optional Inner Panel		Part No.
		H	W	D	H	W	
PJ664 ¹	PJ664H	6.10	6.10	4.13	4.88	4.88	14R0505
PJ864 ¹	PJ864H	8.00	6.12	4.13	6.75	4.88	14R0705
PJ1084 ¹	PJ1084H	10.13	8.26	4.13	8.75	6.88	14R0907
PJ1086 ¹	PJ1086H	10.13	8.26	6.13	8.75	6.88	14R0907
PJ12106 ¹	PJ12106H	12.13	10.26	6.13	10.75	8.88	14R1109
PJ12124 ¹	PJ12124H	12.13	12.13	4.13	10.75	10.88	14R1111
PJ12126 ¹	PJ12126H	12.13	12.13	6.13	10.75	10.88	14R1111
PJ14126 ¹	PJ14126H	14.13	12.26	6.13	12.75	10.88	14R1311
PJ16148	PJ16148H	16.27	14.40	8.13	14.75	12.88	14R1513
PJ18168	PJ18168H	18.40	16.40	8.13	16.88	14.88	P1868
PJ20168	PJ20168H	20.00	16.00	8.13	18.44	14.44	P2068

Alternative inner panel options also available. ¹ Type 6P/IP68.

Construction

- Molded fiberglass polyester enclosure with matching cover is easily punched, cut, or drilled.
- Enhanced UV inhibitors protect against outdoor weathering.
- Standard JIC sizes under 18" x 16".
- 10-32 threaded brass inserts are provided for optional inner panel or terminal kit mounting. Mounting hardware included.
- Cover is fastened with captive stainless steel screws in threaded brass inserts.
- Captive oil resistant gasket provides a positive seal.
- Threaded brass inserts are provided for mounting feet to the rear of the enclosure.
- Stainless steel mounting brackets and hardware are provided for mounting feet to the rear of the enclosure.
- Operating temperatures between 130°C and -40°C (266°F to -40°F).
- Impact index of 6.78J (5 ft/lb).
- For corrosion resistance information, please refer to table in the Technical Information section.

Finish

- Fiberglass polyester material has a gray finish.
- Optional inner panels are available in white powder coated finished steel, unfinished aluminum, or Fiberglass.

Accessories

- Additional Inner Panels...*See Page 294*
- Terminal Kit Assemblies...*See Page 302*
- Pole Mounting Kit...*See Page 324*
- PJ/PJU/PCJ Replacement Hardware Kits...*See Page 293*
- Stainless Replacement Mounting Feet...*See Page 292*
- Window Kits...*See Page 308*
- Climate Control...*See Page 244*
- General Accessories...*See Page 281*

Type 4X Polyester Junction Box *PJ Series*

Continuous Hinge Door with Twist/Snap Latches

Non-Metallic Enclosures (Type 4X) Junction Boxes



Quick Link: hammfg.com/PJL

Application

- Designed for use as instrument enclosures, electric, hydraulic or pneumatic control housings, electrical junction boxes or terminal wiring enclosures.
- Provides outstanding insulation and protection where equipment may be hosed down or be very wet.
- Ideal in applications with high temperatures or highly corrosive environments.

Standards

- UL 508A Type 1, 2, 3, 4, 4X, 12, & 13
- CSA Type 1, 2, 3, 4, 4X, 12, & 13
- Complies with
 - NEMA Type 1, 2, 3, 4, 4X, 12, & 13
 - IEC 60529, IP66

Construction

- Molded fiberglass polyester enclosure with matching cover is easily punched, cut, or drilled.
- Enhanced UV inhibitors protect against outdoor weathering.
- 10-32 threaded brass inserts are provided for optional inner panel or terminal kit mounting. Mounting hardware is included.
- Stainless steel butterfly type “twist latch” door fasteners.
- Stainless steel draw type “snap latch” door fasteners.
- Door fasteners include a provision for padlocking.
- Twist latch enclosures are available with bonded polycarbonate viewing windows.
- Door is supported with a continuous stainless steel hinge.
- Captive oil resistant gasket provides a positive seal.
- Threaded brass inserts are provided for mounting feet to the rear of the enclosure.

- Stainless steel mounting brackets and hardware are provided for mounting to the rear of the enclosure.
- Operating temperatures between 130°C and -40°C (266°F to -40°F).
- Impact index of 6.78J (5 ft/lb).
- For corrosion resistance information, please refer to table in the Technical Information section.

Finish

- Fiberglass polyester material has a gray finish.
- Optional inner panels are available in white powder coated finished steel, unfinished aluminum, or Fiberglass.

Accessories

- Additional Inner Panels...*See Page 294*
- Terminal Kit Assemblies...*See Page 302*
- Pole Mounting Kit...*See Page 324*
- PJ/PJU/PCJ Replacement Hardware Kits...*See Page 293*
- Window Kits...*See Page 308*
- Stainless Replacement Mounting Feet...*See Page 292*
- Climate Control...*See Page 244*
- General Accessories...*See Page 281*

Snap Latch

Part No.	Enclosure			Optional Inner Panel		
	H	W	D	H	W	Part No.
PJ664L	6.10	6.10	4.18	4.88	4.88	14R0505
PJ864L	8.00	6.12	4.13	6.75	4.88	14R0705
PJ1084L	10.13	8.26	4.13	8.75	6.88	14R0907
PJ1086L	10.13	8.26	6.13	8.75	6.88	14R0907
PJ12106L	12.13	10.26	6.13	10.75	8.88	14R1109
PJ12124L	12.13	12.13	4.13	10.75	10.88	14R1111
PJ12126L	12.13	12.13	6.13	10.75	10.88	14R1111
PJ14126L	14.13	12.26	6.13	12.75	10.88	14R1311
PJ16148L	16.27	14.40	8.13	14.75	12.88	14R1513
PJ18168L	18.40	16.40	8.13	16.88	14.88	P1868
PJ20168L	20.00	16.00	8.13	18.44	14.44	P2068

Alternative inner panel options also available.

Twist Latch

Part No.	Enclosure			Optional Inner Panel		
	H	W	D	H	W	Part No.
PJ664T	6.10	6.10	4.18	4.88	4.88	14R0505
PJ864T	8.00	6.12	4.13	6.75	4.88	14R0705
PJ1084T	10.13	8.26	4.13	8.75	6.88	14R0907
PJ1086T	10.13	8.26	6.13	8.75	6.88	14R0907
PJ12106T	12.13	10.26	6.13	10.75	8.88	14R1109
PJ12126T	12.13	12.13	6.13	10.75	10.88	14R1111
PJ14126T	14.13	12.26	6.13	12.75	10.88	14R1311
PJ16148T	16.27	14.40	8.13	14.75	12.88	14R1513
PJ18168T	18.40	16.40	8.13	16.88	14.88	P1868
PJ20168T	20.00	16.00	8.13	18.44	14.44	P2068

Alternative inner panel options also available.

Technical references and CAD downloads available at www.hammondmfg.com

All dimensions in inches unless specified otherwise

Type 4X Polyester Junction Box w/ Window *PJ Series*

Various Door Styles



Quick Link: hammfg.com/PJW

Application

- Designed for use as instrument enclosures, electric, hydraulic or pneumatic control housings, electrical junction boxes or terminal wiring enclosures.
- Provides outstanding insulation and protection where equipment may be hosed down or be very wet.
- Ideal in applications with high temperatures or highly corrosive environments.

Standards

- UL 508A Type 1, 2, 3, 4, 4X, 12 and 13
- CSA Type 1, 2, 3, 4, 4X, 12 and 13
- Complies with
 - NEMA Type 1, 2, 3, 4, 4X, 12, & 13
 - IEC 60529, IP66

Construction

- Molded fiberglass polyester enclosure with matching cover is easily punched, cut, or drilled.
- Enhanced UV inhibitors protect against outdoor weathering.
- Standard JIC sizes under 18"x16".
- Threaded brass inserts are provided for optional inner panel or terminal kit mounting. Mounting hardware is included.
- Stainless steel draw type "snap latch" door fasteners.
- Door fasteners include a provision for padlocking.
- Enclosures are available with bonded polycarbonate viewing windows.
- Door is supported with a continuous stainless steel hinge.
- Captive oil resistant gasket provides a positive seal.
- Threaded brass inserts are provided for mounting feet to the rear of the enclosure.
- Stainless steel mounting brackets and hardware are provided for mounting to the rear of the enclosure.
- Operating temperatures between 130°C and -40°C (266°F to -40°F).
- Impact index of 6.78J (5 ft/lb).
- For corrosion resistance information, please refer to table in the Technical Information section.

Finish

- Fiberglass polyester material has a gray finish.
- Optional inner panels are available in white powder coated finished steel or unfinished aluminum, or Fiberglass.

Accessories

- Additional Inner Panels...*See Page 294*
- Terminal Kit Assemblies...*See Page 302*
- Pole Mounting Kit...*See Page 324*
- PJ/PJU/PCJ Replacement Hardware Kits...*See Page 293*
- Stainless Replacement Mounting Feet...*See Page 292*
- Climate Control...*See Page 244*
- General Accessories...*See Page 281*

Lift-Off Part No.	Hinged Part No.	Snap Latch Part No.	Twist Latch Part No.	Enclosure			Optional Inner Panel		
				H	W	D	H	W	Part No.
PJ664W	PJ664HW	PJ664LW	PJ664TW	6.10	6.10	4.18	4.88	4.88	14R0505
PJ864W	PJ864HW	PJ864LW	PJ864TW	8.00	6.12	4.13	6.75	4.88	14R0705
PJ1084W	PJ1084HW	PJ1084LW	PJ1084TW	10.13	8.26	4.13	8.75	6.88	14R0907
PJ1086W	PJ1086HW	PJ1086LW	PJ1086TW	10.13	8.26	6.13	8.75	6.88	14R0907
PJ12106W	PJ12106HW	PJ12106LW	PJ12106TW	12.13	10.26	6.13	10.75	8.88	14R1109
PJ12124W	PJ12124HW	PJ12124LW	PJ12124TW	12.13	12.13	4.13	10.75	10.88	14R1111
PJ12126W	PJ12126HW	PJ12126LW	PJ12126TW	12.13	12.13	6.13	10.75	10.88	14R1111
PJ14126W	PJ14126HW	PJ14126LW	PJ14126TW	14.13	12.26	6.13	12.75	10.88	14R1311
PJ16148W	PJ16148HW	PJ16148LW	PJ16148TW	16.27	14.40	8.13	14.75	12.88	14R1513
PJ18168W	PJ18168HW	PJ18168LW	PJ18168TW	18.40	16.40	8.13	16.88	14.88	P1868
PJ20168W	PJ20168HW	PJ20168LW	PJ20168TW	20.00	16.00	8.13	18.44	14.44	P2068

Alternative inner panel options also available.

Technical references and CAD downloads available at www.hammondmfg.com

All dimensions in inches unless specified otherwise

Quality Products. Service Excellence.

Type 4X Polyester Junction Box w/ Raised Lid (Solid and Window) *PJ Series*

Lift-Off Cover/Hinged Door with Screws



Quick Link: hammfg.com/PJR

Application

- Designed for use as instrument enclosures, electric, hydraulic or pneumatic control housings, electrical junction boxes or terminal wiring enclosures.
- Provides outstanding insulation and protection where equipment may be hosed down or be very wet.
- Ideal in applications with high temperatures or highly corrosive environments.

Standards

- UL 508A Type 1, 2, 3, 4, 4X, 12 and 13
- CSA Type 1, 2, 3, 4, 4X, 12 and 13
- Complies with
 - NEMA Type 1, 2, 3, 4, 4X, 12 and 13
 - IEC 60529, IP66

Construction

- Molded fiberglass polyester enclosure with matching cover is easily punched, cut, or drilled.

- Enhanced UV inhibitors protect against outdoor weathering.
- Standard JIC sizes under 18" x 16".
- Threaded brass inserts are provided for optional inner panel or terminal kit mounting. Mounting hardware is included.
- Cover fastened with captive stainless steel screws in threaded brass inserts.
- Door fasteners include a provision for padlocking.
- Enclosures are available with bonded polycarbonate viewing windows.
- Door is supported with a continuous stainless steel hinge.
- Captive oil resistant gasket provides a positive seal.
- Threaded brass inserts are provided for mounting feet to the rear of the enclosure.
- Stainless steel mounting brackets and hardware are provided for mounting to the rear of the enclosure.
- Operating temperatures between 130°C and -40°C (266°F to -40°F).
- Impact index of 6.78J (5 ft/lb).
- For corrosion resistance information, please refer to table in the Technical Information section.

Finish

- Fiberglass polyester material has a gray finish.
- Optional inner panels are available in white powder coated finished steel or unfinished aluminum, or Fiberglass.

Accessories

- Additional Inner Panels...*See Page 294*
- Terminal Kit Assemblies...*See Page 302*
- Swing Panels...*See Page 304*
- Pole Mounting Kit...*See Page 324*
- PJ/PJU/PCJ Replacement Hardware Kits...*See Page 293*
- Stainless Replacement Mounting Feet...*See Page 292*
- Climate Control...*See Page 244*
- General Accessories...*See Page 281*

Raised Lift-Off Solid Cover Part No.	Raised Window Cover Lift-Off Part No.	Raised Hinged Solid Cover Part No.	Raised Window Hinged Cover Part No.	Enclosure			Optional Inner Panel		
				H	W	D	H	W	Part No.
PJ664R ¹	PJ664RW	PJ664RH	PJ664RHW	6.10	6.10	4.18	4.88	4.88	14R0505
PJ864R ¹	PJ864RW	PJ864RH	PJ864RHW	8.00	6.12	4.13	6.75	4.88	14R0705
PJ1084R ¹	PJ1084RW	PJ1084RH	PJ1084RHW	10.13	8.26	4.13	8.75	6.88	14R0907
PJ1086R ¹	PJ1086RW	PJ1086RH	PJ1086RHW	10.13	8.26	6.13	8.75	6.88	14R0907
PJ12106R ¹	PJ12106RW	PJ12106RH	PJ12106RHW	12.13	10.26	6.13	10.75	8.88	14R1109
PJ12124R ¹	PJ12124RW	PJ12124RH	PJ12124RHW	12.13	12.13	4.13	10.75	10.88	14R1111
PJ12126R ¹	PJ12126RW	PJ12126RH	PJ12126RHW	12.13	12.13	6.13	10.75	10.88	14R1111
PJ14126R ¹	PJ14126RW	PJ14126RH	PJ14126RHW	14.13	12.26	6.13	12.75	10.88	14R1311
PJ16148R	PJ16148RW	PJ16148RH	PJ16148RHW	16.27	14.40	8.13	14.75	12.88	14R1513
PJ18168R	PJ18168RW	PJ18168RH	PJ18168RHW	18.40	16.40	8.13	16.88	14.88	P1868
PJ20168R	PJ20168RW	PJ20168RH	PJ20168RHW	20.00	16.00	8.13	18.44	14.44	P2068

Alternative inner panel options also available. ¹ Meets Type 6P

Technical references and CAD downloads available at www.hammondmfg.com

All dimensions in inches unless specified otherwise

Quality Products. Service Excellence.

© Hammond Manufacturing | Canada: 519.822.2960 or 905.456.3770 | USA: 716.630.7090 | Data Subject to change without notice

Distributed by Cross Automation | +1 (262) 252-1600 | sales@grossautomation.com

Type 4X Polyester Junction Box w/ Raised Lid (Solid and Window) *PJ Series*

Continuous Hinge Door with Snap Latches



Quick Link: hammfg.com/PJRL

Application

- Designed for use as instrument enclosures, electric, hydraulic or pneumatic control housings, electrical junction boxes or terminal wiring enclosures.
- Provides outstanding insulation and protection where equipment may be hosed down or be very wet.
- Ideal in applications with high temperatures or highly corrosive environments.

Standards

- UL 508A Type 1, 2, 3, 4, 4X, 12 and 13
- CSA Type 1, 2, 3, 4, 4X, 12 and 13
- Complies with
 - NEMA Type 1, 2, 3, 4, 4X, 12, & 13
 - IEC 60529, IP66

Construction

- Molded fiberglass polyester enclosure with matching cover is easily punched, cut, or drilled.
- Enhanced UV inhibitors protect against outdoor weathering.
- Standard JIC sizes under 18"x16".

- Threaded brass inserts are provided for optional inner panel or terminal kit mounting. Mounting hardware is included.
- Stainless steel draw type "snap latch" door fasteners.
- Door fasteners include a provision for padlocking.
- Enclosures are available with bonded polycarbonate viewing windows.
- Door is supported with a continuous stainless steel hinge.
- Captive oil resistant gasket provides a positive seal.
- Threaded brass inserts are provided for mounting feet to the rear of the enclosure.
- Stainless steel mounting brackets and hardware are provided for mounting to the rear of the enclosure.
- Operating temperatures between 130°C and -40°C (266°F to -40°F).
- Impact index of 6.78J (5 ft/lb).
- For corrosion resistance information, please refer to table in the Technical Information section.

Finish

- Fiberglass polyester material has a gray finish.
- Optional inner panels are available in white powder coated finished steel or unfinished aluminum, or fiberglass.

Accessories

- Additional Inner Panels...*See Page 294*
- Terminal Kit Assemblies...*See Page 302*
- Swing Panels...*See Page 304*
- Pole Mounting Kit...*See Page 324*
- PJ/PJU/PCJ Replacement Hardware Kits...*See Page 293*
- Stainless Replacement Mounting Feet...*See Page 292*
- Climate Control...*See Page 244*
- General Accessories...*See Page 281*

Solid Cover	Window	Enclosure			Optional Inner Panel		
Part No.	Cover Part No.	H	W	D	H	D	Part No.
PJ664RL	PJ664RLW	6.10	6.10	4.18	4.88	4.88	14R0505
PJ864RL	PJ864RLW	8.00	6.12	4.13	6.75	4.88	14R0705
PJ1084RL	PJ1084RLW	10.13	8.26	4.13	8.75	6.88	14R0907
PJ1086RL	PJ1086RLW	10.13	8.26	6.13	8.75	6.88	14R0907
PJ12106RL	PJ12106RLW	12.13	10.26	6.13	10.75	8.88	14R1109
PJ12124RL	PJ12124RLW	13.33	11.85	4.13	12.32	13.72	14R1111
PJ12126RL	PJ12126RLW	13.33	11.85	6.13	12.32	13.72	14R1111
PJ14126RL	PJ14126RLW	14.13	12.26	6.13	12.75	10.88	14R1311
PJ16148RL	PJ16148RLW	16.27	14.40	8.13	14.75	12.88	14R1513
PJ18168RL	PJ18168RLW	18.40	16.40	8.13	16.88	14.88	P1868
PJ20168RL	PJ20168RLW	20.00	16.00	8.13	18.44	14.44	P2068
PJ24208RL	PJ24208RLW	24.00	20.00	8.13	21.00	17.00	18P2117
PJ24248RL ¹	PJ24248RLW ¹	24.00	24.00	8.13	21.00	21.00	18P2121
PJ30248RL ¹	PJ30248RLW ¹	30.00	24.00	8.13	27.00	21.00	18P2721
PJ242010RL ¹	PJ242010RLW ¹	24.00	20.00	10.13	21.00	17.00	18P2117
PJ242410RL ¹	PJ242410RLW ¹	24.00	24.00	10.13	21.00	21.00	18P2121
PJ302410RL ¹	PJ302410RLW ¹	30.00	24.00	10.13	27.00	21.00	18P2721

Alternative inner panel options also available. ¹ Uses larger mounting foot.

Technical references and CAD downloads available at www.hammondmfg.com

All dimensions in inches unless specified otherwise

Quality Products. Service Excellence.

Type 4X Polyester Junction Box w/ Raised Lid (Solid and Window) *PJ Series*

Continuous Hinge Door with Twist Latches



Quick Link: hammfg.com/PJRT

Application

- Designed for use as instrument enclosures, electric, hydraulic or pneumatic control housings, electrical junction boxes or terminal wiring enclosures.
- Provides outstanding insulation and protection where equipment may be hosed down or be very wet.
- Ideal in applications with high temperatures or highly corrosive environments.

Standards

- UL 508A Type 1, 2, 3, 4, 4X, 12 and 13
- CSA Type 1, 2, 3, 4, 4X, 12 and 13
- Complies with
 - NEMA Type 1, 2, 3, 4, 4X, 12, & 13
 - IEC 60529, IP66

Construction

- Molded fiberglass polyester enclosure with matching cover is easily punched, cut, or drilled.
- Enhanced UV inhibitors protect against outdoor weathering.

- Threaded brass inserts are provided for optional inner panel or terminal kit mounting. Mounting hardware is included.
- Stainless steel draw type “twist latch” door fasteners.
- Door fasteners include a provision for padlocking.
- Enclosures are available with bonded polycarbonate viewing windows.
- Door is supported with a continuous stainless steel hinge.
- Captive oil resistant gasket provides a positive seal.
- Threaded brass inserts are provided for mounting feet to the rear of the enclosure.
- Stainless steel mounting brackets and hardware are provided for mounting to the rear of the enclosure.
- Operating temperatures between 130°C and -40°C (266°F to -40°F).
- Impact index of 6.78J (5 ft/lb).
- For corrosion resistance information, please refer to table in the Technical Information section.

Finish

- Fiberglass polyester material has a gray finish.
- Optional inner panels are available in white powder coated finished steel or unfinished aluminum, or fiberglass.

Accessories

- Additional Inner Panels...*See Page 294*
- Terminal Kit Assemblies...*See Page 302*
- Swing Panels...*See Page 304*
- Pole Mounting Kit...*See Page 324*
- PJ/PJU/PCJ Replacement Hardware Kits...*See Page 293*
- Stainless Replacement Mounting Feet...*See Page 292*
- Climate Control...*See Page 244*
- General Accessories...*See Page 281*

Non-Metallic Enclosures (Type 4X)

Junction Boxes

Solid Cover	Window	Enclosure			Optional Inner Panel		
Part No.	Cover Part No.	H	W	D	H	W	Part No.
PJ664RT	PJ664RTW	6.10	6.10	4.18	4.88	4.88	14R0505
PJ864RT	PJ864RTW	8.00	6.12	4.13	6.75	4.88	14R0705
PJ1084RT	PJ1084RTW	10.13	8.26	4.13	8.75	6.88	14R0907
PJ1086RT	PJ1086RTW	10.13	8.26	6.13	8.75	6.88	14R0907
PJ12106RT	PJ12106RTW	12.13	10.26	6.13	10.75	8.88	14R1109
PJ12124RT	PJ12124RTW	12.13	12.13	4.13	10.75	10.88	14R1111
PJ12126RT	PJ12126RTW	12.13	12.13	6.13	10.75	10.88	14R1111
PJ14126RT	PJ14126RTW	14.13	12.26	6.13	12.75	10.88	14R1311
PJ16148RT	PJ16148RTW	16.27	14.40	8.13	14.75	12.88	14R1513
PJ18168RT	PJ18168RTW	18.40	16.40	8.13	16.88	14.88	P1868
PJ20168RT	PJ20168RTW	20.00	16.00	8.13	18.44	14.44	P2068
PJ24208RT ¹	PJ24208RTW ¹	24.00	20.00	8.13	21.00	17.00	18P2117
PJ24248RT ¹	PJ24248RTW ¹	24.00	24.00	8.13	21.00	21.00	18P2121
PJ30248RT ¹	PJ30248RTW ¹	30.00	24.00	8.13	27.00	21.00	18P2721
PJ242010RT ¹	PJ242010RTW ¹	24.00	20.00	10.13	21.00	17.00	18P2117
PJ242410RT ¹	PJ242410RTW ¹	24.00	24.00	10.13	21.00	21.00	18P2121
PJ302410RT ¹	PJ302410RTW ¹	30.00	24.00	10.13	27.00	21.00	18P2721

Alternative inner panel options also available. ¹ Uses larger mounting foot.

Technical references and CAD downloads available at www.hammondmfg.com

All dimensions in inches unless specified otherwise

Type 4X Polyester Junction Box (Solid and Clear Cover) *PJU Series*

Continuous Hinge Door with Snap Latches



Quick Link: hammfg.com/PJU

Application

- Designed for use as instrument enclosures, electric, hydraulic or pneumatic control housings, electrical junction boxes or terminal wiring enclosures.
- Provides outstanding insulation and protection where equipment may be hosed down or be very wet.
- Ideal in applications with high temperatures or highly corrosive environments.

Standards

- UL 508A Type 1, 2, 3, 4, 4X, 12 and 13
- CSA Type 1, 2, 3, 4, 4X, 12 and 13
- Complies with
 - NEMA Type 1, 2, 3, 4, 4X, 12 and 13
 - IEC 60529, IP66

Construction

- Molded fiberglass polyester enclosure with matching cover is easily punched, cut, or drilled.
- Enhanced UV inhibitors protect against outdoor weathering.
- Standard JIC sizes under 18" x 16".
- Threaded brass inserts are provided for optional inner panel or terminal kit mounting. Mounting hardware is included.
- Stainless steel draw type "snap latch" door fasteners.
- Door fasteners include a provision for padlocking.
- Enclosure available with clear Polycarbonate cover to 16" x 14".
- Molded hinge with stainless steel pin.
- Captive oil resistant gasket provides a positive seal.
- Available with Polycarbonate flange or foot mount brackets for multi-directional mounting.
- Operating temperatures between 130°C and -40°C (266°F to -40°F).
- Impact index of 6.78J (5 ft/lb).
- For corrosion resistance information, please refer to table in the Technical Information section.

Finish

- Fiberglass polyester material has a gray finish.
- Optional inner panels are available in white powder coated finished steel or unfinished aluminum, or Fiberglass.

Accessories

- Additional Inner Panels...*See Page 294*
- Terminal Kit Assemblies...*See Page 302*
- Swing Panels...*See Page 304*
- Pole Mounting Kit...*See Page 324*
- PJ/PJU/PCJ Replacement Hardware Kits...*See Page 293*
- Moulded Replacement Polycarbonate Flange...*See Page 291*
- Moulded Replacement Polycarbonate Feet...*See Page 292*
- Climate Control...*See Page 244*
- General Accessories...*See Page 281*

Solid Cover		Clear Cover		Enclosure			Optional Inner Panel		
w/Flange	w/Feet	w/Flange	w/Feet	H	W	D	H	W	Part No.
Part No.	Part No.	Part No.	Part No.						
PJU664LF	PJU664L	PJU664CCLF	PJU664CCL	6.05	6.27	4.13	4.88	4.88	14R0505
PJU864LF	PJU864L	PJU864CCLF	PJU864CCL	8.05	6.27	4.13	6.75	4.88	14R0705
PJU1084LF	PJU1084L	PJU1084CCLF	PJU1084CCL	10.05	8.27	4.13	8.75	6.88	14R0907
PJU1086LF	PJU1086L	PJU1086CCLF	PJU1086CCL	10.05	8.27	6.13	8.75	6.88	14R0907
PJU12106LF	PJU12106L	PJU12106CCLF	PJU12106CCL	12.05	10.27	6.13	10.75	8.88	14R1109
PJU14126LF	PJU14126L	PJU14126CCLF	PJU14126CCL	14.05	12.27	6.13	12.75	10.88	14R1311
PJU16148LF	PJU16148L	PJU16148CCLF	PJU16148CCL	16.05	14.27	8.13	14.75	12.88	14R1513
PJU181610LF	PJU181610L			18.30	16.52	10.13	16.88	14.88	P1868
PJU201610LF	PJU201610L	PJU201610CCLF	PJU201610CCL	20.50	16.27	10.13	18.44	14.44	P2068

Alternative inner panel options also available.

Type 4X Polyester Junction Box (Solid and Clear Cover) *PJU Series*

Continuous Hinge Door with Twist Latches



Quick Link: hammfg.com/PJUTE

Application

- Designed for use as instrument enclosures, electric, hydraulic or pneumatic control housings, electrical junction boxes or terminal wiring enclosures.
- Provides outstanding insulation and protection where equipment may be hosed down or be very wet.
- Ideal in applications with high temperatures or highly corrosive environments.

Standards

- UL 508A Type 1, 2, 3, 4, 4X, 12 and 13
- CSA Type 1, 2, 3, 4, 4X, 12 and 13
- Complies with
 - NEMA Type 1, 2, 3, 4, 4X, 12 and 13
 - IEC 60529, IP66

Construction

- Molded fiberglass polyester enclosure with matching cover is easily punched, cut, or drilled.
- Enhanced UV inhibitors protect against outdoor weathering.
- Standard JIC sizes under 18" x 16".
- Threaded brass inserts are provided for optional inner panel or terminal kit mounting. Mounting hardware is included.
- Stainless steel butterfly type "twist latch" door fasteners.
- Door fasteners include a provision for padlocking.
- Enclosure available with clear Polycarbonate cover to 16" x 14".
- Molded hinge with stainless steel pin.
- Captive oil resistant gasket provides a positive seal.
- Available with Polycarbonate flange or foot mount brackets for multi-directional mounting.
- Operating temperatures between 130°C and -40°C (266°F to -40°F).
- Impact index of 6.78J (5 ft/lb).
- For corrosion resistance information, please refer to table in the Technical Information section.

Finish

- Fiberglass polyester material has a gray finish.
- Optional inner panels are available in white powder coated finished steel or unfinished aluminum, or Fiberglass.

Accessories

- Additional Inner Panels...*See Page 294*
- Swing Panels...*See Page 304*
- Terminal Kit Assemblies...*See Page 302*
- Pole Mounting Kit...*See Page 324*
- PJ/PJU/PCJ Replacement Hardware Kits...*See Page 293*
- Moulded Replacement Polycarbonate Flange...*See Page 291*
- Moulded Replacement Polycarbonate Feet...*See Page 292*
- Climate Control...*See Page 244*
- General Accessories...*See Page 281*

Solid Cover		Clear Cover		Enclosure			Optional Inner Panel		
w/Flange Part No.	w/Feet Part No.	w/Flange Part No.	w/Feet Part No.	H	W	D	H	W	Part No.
PJU664TF	PJU664T	PJU664CCTF	PJU664CCT	6.05	6.27	4.13	4.88	4.88	14R0505
PJU864TF	PJU864T	PJU864CCTF	PJU864CCT	8.05	6.27	4.13	6.75	4.88	14R0705
PJU1084TF	PJU1084T	PJU1084CCTF	PJU1084CCT	10.05	8.27	4.13	8.75	6.88	14R0907
PJU1086TF	PJU1086T	PJU1086CCTF	PJU1086CCT	10.05	8.27	6.13	8.75	6.88	14R0907
PJU12106TF	PJU12106T	PJU12106CCTF	PJU12106CCT	12.05	10.27	6.13	10.75	8.88	14R1109
PJU14126TF	PJU14126T	PJU14126CCTF	PJU14126CCT	14.05	12.27	6.13	12.75	10.88	14R1311
PJU16148TF	PJU16148T	PJU16148CCTF	PJU16148CCT	16.05	14.27	8.13	14.75	12.88	14R1513
PJU181610TF	PJU181610T			18.30	16.52	10.13	16.88	14.88	P1868
PJU201610TF	PJU201610T	PJU201610CCTF	PJU201610CCT	20.50	16.27	10.13	18.44	14.44	P2068

Alternative inner panel options also available.

Technical references and CAD downloads available at www.hammondmfg.com

All dimensions in inches unless specified otherwise

Quality Products. Service Excellence.

© Hammond Manufacturing Canada: 519.822.2960 or 905.456.3770 USA: 716.630.7030 Data Subject to change without notice

Distributed by Cross Automation | +1 (262) 252-1600 | sales@grossautomation.com

Non-Metallic Enclosures (Type 4X) Junction Boxes

Type 4X Polyester Junction Box (Solid and Clear Cover) *PJU Series*

Lift-Off Cover with Screws



Quick Link: hammfg.com/PJUF

Application

- Designed for use as instrument enclosures, electric, hydraulic or pneumatic control housings, electrical junction boxes or terminal wiring enclosures.
- Provides outstanding insulation and protection where equipment may be hosed down or be very wet.
- Ideal in applications with high temperatures or highly corrosive environments.

Standards

- UL 508A Type 1, 2, 3, 4, 4X, 12 and 13 (6P for solid covers only)
- CSA Type 1, 2, 3, 4, 4X, 12 and 13 (6P for solid covers only)
- Complies with
 - NEMA Type 1, 2, 3, 4, 4X, 12 and 13 (6P for solid covers only)
 - IEC 60529, IP66 (IP68 for solid covers only)

Construction

- Molded fiberglass polyester enclosure with matching cover is easily punched, cut, or drilled.
- Enhanced UV inhibitors protect against outdoor weathering.
- Standard JIC sizes under 18" x 16".
- Threaded brass inserts are provided for optional inner panel or terminal kit mounting. Mounting hardware is included.
- Cover fastened with captive stainless steel screws in threaded brass inserts.
- Enclosure available with clear Polycarbonate cover to 16" x 14".
- Captive oil resistant gasket provides a positive seal.
- Available with Polycarbonate flange or foot mount brackets for multi-directional mounting.
- Operating temperatures between 130°C and -40°C (266°F to -40°F).
- Impact index of 6.78J (5 ft/lb).
- For corrosion resistance information, please refer to table in the Technical Information section.

Finish

- Fiberglass polyester material has a gray finish.
- Optional inner panels are available in white powder coated finished steel or unfinished aluminum, or Fiberglass.

Accessories

- Additional Inner Panels...*See Page 294*
- Terminal Kit Assemblies...*See Page 302*
- Swing Panels...*See Page 304*
- Pole Mounting Kit...*See Page 324*
- PJ/PJU/PCJ Replacement Hardware Kits...*See Page 293*
- Moulded Replacement Polycarbonate Flange...*See Page 291*
- Moulded Replacement Polycarbonate Feet...*See Page 292*
- Climate Control...*See Page 244*
- General Accessories...*See Page 281*

Solid Cover		Clear Cover		Enclosure			Optional Inner Panel		
w/Flange Part No.	w/Feet Part No.	w/Flange Part No.	w/Feet Part No.	H	W	D	H	W	Part No.
PJU664F	PJU664	PJU664CCF	PJU664CC	6.05	6.27	4.13	4.88	4.88	14R0505
PJU864F	PJU864	PJU864CCF	PJU864CC	8.05	6.27	4.13	6.75	4.88	14R0705
PJU1084F	PJU1084	PJU1084CCF	PJU1084CC	10.05	8.27	4.13	8.75	6.88	14R0907
PJU1086F	PJU1086	PJU1086CCF	PJU1086CC	10.05	8.27	6.13	8.75	6.88	14R0907
PJU12106F	PJU12106	PJU12106CCF	PJU12106CC	12.05	10.27	6.13	10.75	8.88	14R1109
PJU14126F	PJU14126	PJU14126CCF	PJU14126CC	14.05	12.27	6.13	12.75	10.88	14R1311
PJU16148F	PJU16148	PJU16148CCF	PJU16148CC	16.05	14.27	8.13	14.75	12.88	14R1513
PJU181610F	PJU181610			18.30	16.52	10.13	16.88	14.88	P1868
PJU201610F	PJU201610			20.50	16.27	10.13	18.44	14.44	P2068

Alternative inner panel options also available.

Type 4X Polyester Junction Box (Solid and Clear Cover) *PJU Series*

Continuous Hinge Door with Screws



Quick Link: hammfg.com/PJUHF

Application

- Designed for use as instrument enclosures, electric, hydraulic or pneumatic control housings, electrical junction boxes or terminal wiring enclosures.
- Provides outstanding insulation and protection where equipment may be hosed down or be very wet.
- Ideal in applications with high temperatures or highly corrosive environments.

Standards

- UL 508A Type 1, 2, 3, 4, 4X, 12 and 13
- CSA Type 1, 2, 3, 4, 4X, 12 and 13
- Complies with
 - NEMA Type 1, 2, 3, 4, 4X, 12 and 13
 - IEC 60529, IP66

Construction

- Molded fiberglass polyester enclosure with matching cover is easily punched, cut, or drilled.
- Enhanced UV inhibitors protect against outdoor weathering.
- Standard JIC sizes under 18" x 16".
- Threaded brass inserts are provided for optional inner panel or terminal kit mounting. Mounting hardware is included.
- Cover fastened with captive stainless steel screws in threaded brass inserts.
- Enclosure available with clear Polycarbonate cover to 16" x 20".
- Molded hinge with stainless steel pin.
- Captive oil resistant gasket provides a positive seal.
- Available with Polycarbonate flange or foot mount brackets for multi-directional mounting.
- Operating temperatures between 130°C and -40°C (266°F to -40°F).
- Impact index of 6.78J (5 ft/lb).
- For corrosion resistance information, please refer to table in the Technical Information section.

Finish

- Fiberglass polyester material has a gray finish.
- Optional inner panels are available in white powder coated finished steel or unfinished aluminum, or Fiberglass.

Accessories

- Additional Inner Panels...*See Page 294*
- Terminal Kit Assemblies...*See Page 302*
- Swing Panels...*See Page 304*
- Pole Mounting Kit...*See Page 324*
- PJ/PJU/PCJ Replacement Hardware Kits...*See Page 293*
- Moulded Replacement Polycarbonate Flange...*See Page 291*
- Moulded Replacement Polycarbonate Feet...*See Page 292*
- Climate Control...*See Page 244*
- General Accessories...*See Page 281*

Solid Cover		Clear Cover		Enclosure			Optional Inner Panel		
w/Flange Part No.	w/Feet Part No.	w/Flange Part No.	w/Feet Part No.	H	W	D	H	W	Part No.
PJU664HF	PJU664H	PJU664CCHF	PJU664CCH	6.05	6.27	4.13	4.88	4.88	14R0505
PJU864HF	PJU864H	PJU864CCHF	PJU864CCH	8.05	6.27	4.13	6.75	4.88	14R0705
PJU1084HF	PJU1084H	PJU1084CCHF	PJU1084CCH	10.05	8.27	4.13	8.75	6.88	14R0907
PJU1086HF	PJU1086H	PJU1086CCHF	PJU1086CCH	10.05	8.27	6.13	8.75	6.88	14R0907
PJU12106HF	PJU12106H	PJU12106CCHF	PJU12106CCH	12.05	10.27	6.13	10.75	8.88	14R1109
PJU14126HF	PJU14126H	PJU14126CCHF	PJU14126CCH	14.05	12.27	6.13	12.75	10.88	14R1311
PJU16148HF	PJU16148H	PJU16148CCHF	PJU16148CCH	16.05	14.27	8.13	14.75	12.88	14R1513
PJU181610HF	PJU181610H			18.30	16.52	10.13	16.88	14.88	P1868
PJU201610HF	PJU201610H	PJU201610CCHF	PJU201610CCH	20.50	16.27	10.13	18.44	14.44	P2068

Alternative inner panel options also available.

Technical references and CAD downloads available at www.hammondmfg.com

All dimensions in inches unless specified otherwise

Quality Products. Service Excellence.

© Hammond Manufacturing Canada: 519.822.2960 or 905.456.3770 USA: 716.630.7030 Data Subject to change without notice

Distributed by Cross Automation | +1 (262) 252-1600 | sales@grossautomation.com

Non-Metallic Enclosures (Type 4X)

Junction Boxes

Type 4X Polyester Junction Box w/ Window *PJU Series*

Various Door Styles



Quick Link: hammfg.com/PJUW

Application

- Designed for use as instrument enclosures, electric, hydraulic or pneumatic control housings, electrical junction boxes or terminal wiring enclosures.
- Provides outstanding insulation and protection where equipment may be hosed down or be very wet.
- Ideal in applications with high temperatures or highly corrosive environments.

Standards

- UL 508A Type 1, 2, 3, 4, 4X, 12 and 13
- CSA Type 1, 2, 3, 4, 4X, 12 and 13
- Complies with
 - NEMA Type 1, 2, 3, 4, 4X, 12 and 13
 - IEC 60529, IP66

Construction

- Molded fiberglass polyester enclosure with matching cover is easily punched, cut, or drilled.
- Enhanced UV inhibitors protect against outdoor weathering.
- Standard JIC sizes under 18"x16".
- Threaded brass inserts are provided for optional inner panel or terminal kit mounting. Mounting hardware is included.
- Various latching options.
- Enclosures are available with bonded polycarbonate viewing windows.
- Door is supported with a continuous stainless steel hinge pin.
- Captive oil resistant gasket provides a positive seal.
- Threaded brass inserts are provided for mounting feet to the rear of the enclosure.
- Operating temperatures between 130°C and -40°C (266°F to -40°F).
- Impact index of 6.78J (5 ft/lb).
- For corrosion resistance information, please refer to table in the Technical Information section.

Finish

- Fiberglass polyester material has a light gray finish.
- Optional inner panels are available in white powder coated finished steel or unfinished aluminum, or Fiberglass.

Accessories

- Additional Inner Panels...*See Page 294*
- Terminal Kit Assemblies...*See Page 302*
- Swing Panels...*See Page 304*
- Pole Mounting Kit...*See Page 324*
- Moulded Replacement Polycarbonate Flange...*See Page 291*
- Moulded Replacement Polycarbonate Feet...*See Page 292*
- Climate Control...*See Page 244*
- General Accessories...*See Page 281*

Lift-Off Screw Cover		Hinged Screw Cover		Hinged Snap Latch		Enclosure			Optional Inner Panel		
w/Flange	w/Feet	w/Flange	w/Feet	w/Flange	w/Feet	H	W	D	H	W	Part No.
Part No.	Part No.	Part No.	Part No.	Part No.	Part No.						
PJU664WF	PJU664W	PJU664HWF	PJU664HW	PJU664LWF	PJU664LW	6.05	6.27	4.13	4.88	4.88	14R0505
PJU864WF	PJU864W	PJU864HWF	PJU864HW	PJU864LWF	PJU864LW	8.05	6.27	4.13	6.75	4.88	14R0705
PJU1084WF	PJU1084W	PJU1084HWF	PJU1084HW	PJU1084LWF	PJU1084LW	10.05	8.27	4.13	8.75	6.88	14R0907
PJU1086WF	PJU1086W	PJU1086HWF	PJU1086HW	PJU1086LWF	PJU1086LW	10.05	8.27	6.13	8.75	6.88	14R0907
PJU12106WF	PJU12106W	PJU12106HWF	PJU12106HW	PJU12106LWF	PJU12106LW	12.05	10.27	6.13	10.75	8.88	14R1109
PJU14126WF	PJU14126W	PJU14126HWF	PJU14126HW	PJU14126LWF	PJU14126LW	14.05	12.27	6.13	12.75	10.88	14R1311
PJU16148WF	PJU16148W	PJU16148HWF	PJU16148HW	PJU16148LWF	PJU16148LW	16.05	14.27	8.13	14.75	12.88	14R1513
PJU181610WF	PJU181610W	PJU181610HWF	PJU181610HW	PJU181610LWF	PJU181610LW	18.30	16.52	10.13	16.88	14.88	P1868
PJU201610WF	PJU201610W	PJU201610HWF	PJU201610HW	PJU201610LWF	PJU201610LW	20.50	16.27	10.13	18.44	14.44	P2068

* see table below for full part number and latch including mounting feet

Type 4X Polycarbonate Junction Box (Solid and Clear Cover) *PCJ Series*

Lift-Off Screw Cover



Quick Link: hammfg.com/PCJ-SC

Application

- Designed to insulate and protect controls and components in both indoor and outdoor conditions
- Ideal for industrial pump controls, waste water, irrigation control along with solar/wind and chemical plants

Standards

- UL 508A Type 1, 2, 3, 3R, 4, 4X, 12 and 13
- CSA Type 1, 2, 3, 3R, 4, 4X, 12 and 13
- Complies with
 - NEMA Type 1, 2, 3, 3R, 4, 4X, 12 and 13
 - IEC 60529, IP66
 - Flammability V-O per UL 94
 - UV rating (f1) per UL746C - UV stabilized for outdoor use
- Compliant with RoHS directive

Construction

- Injection moulded polycarbonate thermoplastic enclosure with matching cover is easily punched, cut, or drilled
- Enhanced UV inhibitors protect against outdoor weathering
- Threaded brass inserts are provided for optional inner panel or terminal kit mounting. Mounting hardware is included
- Stainless steel 316 screw fasteners
- Lift-off Cover is fixed with 4 stainless steel screws.
- Enclosure available with clear Polycarbonate cover
- Captive oil resistant gasket provides a positive seal
- Available with Polycarbonate flange or foot mount brackets for multi-directional mounting
- Operating temperatures between 130°C and - 35 °C (266°F to - 31 °F)
- Impact index of 16 J (12 ft/lb)
- For corrosion resistance information, please refer to table in the Technical Information section

Finish

- Polycarbonate material has a light gray finish
- Optional inner panels are available in white powder coated finished steel, unfinished aluminum, or fiberglass

Accessories

- Additional Inner Panels...*See Page 298*
- Swing Panel...*See Page 305*
- Pole Mounting Kit...*See Page 324*
- PJ/PJU/PCJ Replacement Hardware Kits...*See Page 293*
- Moulded Replacement Polycarbonate Flange...*See Page 291*
- Moulded Replacement Polycarbonate Feet...*See Page 292*
- Climate Control...*See Page 244*
- General Accessories...*See Page 281*

Non-Metallic Enclosures (Type 4X) Junction Boxes

Solid Cover		Clear Cover		Enclosure			Optional Inner Panel		
w/Flange Part No.	w/Feet Part No.	w/Flange Part No.	w/Feet Part No.	H	W	D	H	W	Part No.
	PCJ443*		PCJ443CC *	3.95	3.95	3.31	3.56	3.56	PCJR0303
PCJ664F *	PCJ664*	PCJ664CCF *	PCJ664CC *	5.93	6.16	3.98	4.81	4.81	PCJR0505
PCJ864F *	PCJ864*	PCJ864CCF *	PCJ864CC *	7.94	6.16	3.98	6.75	4.88	PCJR0705
PCJ884F *	PCJ884*	PCJ884CCF *	PCJ884CC *	7.94	8.15	3.98	6.75	6.88	PCJR0808
PCJ1082F	PCJ1082	PCJ1082CCF	PCJ1082CC	9.93	8.15	2.70	8.75	6.88	PCJR0907
PCJ1084F	PCJ1084	PCJ1084CCF	PCJ1084CC	9.93	8.15	3.98	8.75	6.88	PCJR0907
PCJ1086F	PCJ1086	PCJ1086CCF	PCJ1086CC	9.93	8.15	5.98	8.75	6.88	PCJR0907
PCJ12104F	PCJ12104	PCJ12104CCF	PCJ12104CC	11.92	10.15	3.98	10.75	8.88	PCJR1109
PCJ12106F	PCJ12106	PCJ12106CCF	PCJ12106CC	11.92	10.15	5.98	10.75	8.88	PCJR1109
PCJ12126F	PCJ12126	PCJ12126CCF	PCJ12126CC	11.92	12.16	5.98	10.75	10.88	PCJR1111
PCJ14126F	PCJ14126	PCJ14126CCF	PCJ14126CC	13.94	12.16	5.98	12.75	10.88	PCJR1311
PCJ16148F	PCJ16148	PCJ16148CCF	PCJ16148CC	15.98	13.98	7.81	14.75	12.88	14R1513
PCJ181610F	PCJ181610	PCJ181610CCF	PCJ181610CC	18.04	16.04	9.81	16.88	14.88	P1868
PCJ201610F	PCJ201610	PCJ201610CCF	PCJ201610CC	20.04	16.04	9.81	18.88	14.88	P2068

* Moulded hinge barrels removed from lid and body. Alternative inner panel options also available.

Technical references and CAD downloads available at www.hammondmfg.com

All dimensions in inches unless specified otherwise

Type 4X Polycarbonate Junction Box (Solid and Clear Cover) *PCJ Series*

Hinged Screw Cover



Quick Link: hammfg.com/PCJ-HSC

Application

- Designed to insulate and protect controls and components in both indoor and outdoor conditions
- Ideal for industrial pump controls, waste water, and irrigation control along with solar/wind and chemical plants

Standards

- UL 508A Type 1, 2, 3, 3R, 4, 4X, 12 and 13
- CSA Type 1, 2, 3, 3R, 4, 4X, 12 and 13
- Complies with
 - NEMA Type 1, 2, 3, 3R, 4, 4X, 12 and 13
 - IEC 60529, IP66
 - Flammability V-O per UL 94
 - UV rating (f1) per UL746C - UV stabilized for outdoor use
 - Compliant with RoHS directive

Construction

- Injection molded polycarbonate thermoplastic enclosure with matching cover is easily punched, cut, or drilled
- Enhanced UV inhibitors protect against outdoor weathering
- Threaded brass inserts are provided for optional inner panel or terminal kit mounting. Mounting hardware is included
- Stainless steel 316 screw fasteners
- Door fasteners include a provision for padlocking on Snap Latches
- Enclosure available with clear Polycarbonate cover
- Molded hinge
- Captive oil resistant gasket provides a positive seal
- Available with Polycarbonate flange or foot mount brackets for multi-directional mounting
- Operating temperatures between 130°C and - 35 °C (266°F to - 31 °F)
- Impact index of 16 J (12 ft/lb)
- For corrosion resistance information, please refer to table in the Technical Information section

Finish

- Polycarbonate material has a light gray finish
- Optional inner panels are available in white powder coated finished steel, unfinished aluminum, or fiberglass

Accessories

- Additional Inner Panels...*See Page 298*
- Swing Panel...*See Page 305*
- Pole Mounting Kit...*See Page 324*
- PJ/PJU/PCJ Replacement Hardware Kits...*See Page 293*
- Moulded Replacement Polycarbonate Flange...*See Page 291*
- Moulded Replacement Polycarbonate Feet...*See Page 292*
- Climate Control...*See Page 244*
- General Accessories...*See Page 281*

Solid Cover		Clear Cover		Enclosure			Optional Inner Panel		
w/Flange Part No.	w/Feet Part No.	w/Flange Part No.	w/Feet Part No.	H	W	D	H	W	Part No.
	PCJ443H		PCJ443CH	3.95	3.95	3.31	3.56	3.56	PCJR0303
PCJ664HF	PCJ664H	PCJ664CCHF	PCJ664CCH	5.93	6.16	3.98	4.81	4.81	PCJR0505
PCJ864HF	PCJ864H	PCJ864CCHF	PCJ864CCH	7.94	6.16	3.98	6.75	4.88	PCJR0705
PCJ884HF	PCJ884H	PCJ884CCHF	PCJ884CCH	7.94	8.15	3.98	6.75	6.88	PCJR0808
PCJ1082HF	PCJ1082H	PCJ1082CCHF	PCJ1082CCH	9.93	8.15	2.70	8.75	6.88	PCJR0907
PCJ1084HF	PCJ1084H	PCJ1084CCHF	PCJ1084CCH	9.93	8.15	3.98	8.75	6.88	PCJR0907
PCJ1086HF	PCJ1086H	PCJ1086CCHF	PCJ1086CCH	9.93	8.15	5.98	8.75	6.88	PCJR0907
PCJ12104HF	PCJ12104H	PCJ12104CCHF	PCJ12104CCH	11.92	10.15	3.98	10.75	8.88	PCJR1109
PCJ12106HF	PCJ12106H	PCJ12106CCHF	PCJ12106CCH	11.92	10.15	5.98	10.75	8.88	PCJR1109
PCJ12126HF	PCJ12126H	PCJ12126CCHF	PCJ12126CCH	11.92	12.16	5.98	10.75	10.88	PCJR1111
PCJ14126HF	PCJ14126H	PCJ14126CCHF	PCJ14126CCH	13.94	12.16	5.98	12.75	10.88	PCJR1311
PCJ16148HF	PCJ16148H	PCJ16148CCHF	PCJ16148CCH	15.98	13.98	7.81	14.75	12.88	14R1513
PCJ181610HF	PCJ181610H	PCJ181610CCHF	PCJ181610CCH	18.04	16.04	9.81	16.88	14.88	P1868
PCJ201610HF	PCJ201610H	PCJ201610CCHF	PCJ201610CCH	20.04	16.04	9.81	18.88	14.88	P2068

Alternative inner panel options also available.

Technical references and CAD downloads available at www.hammondmfg.com

All dimensions in inches unless specified otherwise

Quality Products. Service Excellence.

Type 4X Polycarbonate Junction Box (Solid and Clear Cover) *PCJ Series*

Non-Metallic Latch Cover



Quick Link: hammfg.com/PCJ-NSL

Application

- Designed to insulate and protect controls and components in both indoor and outdoor conditions
- Ideal for industrial pump controls, waste water, irrigation control along with solar/wind and chemical plants

Standards

- UL 508A Type 1, 2, 3, 3R, 4, 4X, 12 and 13
- CSA Type 1, 2, 3, 3R, 4, 4X, 12 and 13
- Complies with
 - NEMA Type 1, 2, 3, 3R, 4, 4X, 12 and 13
 - IEC 60529, IP66
 - Flamability V-O per UL 94
 - UV rating (f1) per UL746C - UV stabilized for outdoor use
- Compliant with RoHS directive

Construction

- Injection moulded polycarbonate thermoplastic enclosure with matching cover is easily punched, cut, or drilled
- Enhanced UV inhibitors protect against outdoor weathering
- Threaded brass inserts are provided for optional inner panel or terminal kit mounting. Mounting hardware is included
- Stainless steel 316 screw fasteners
- Door fasteners include a provision for padlocking on Snap Latches
- Enclosure available with clear Polycarbonate cover
- Molded hinge
- Captive oil resistant gasket provides a positive seal
- Available with Polycarbonate flange or foot mount brackets for multi-directional mounting
- Operating temperatures between 130°C and - 35 °C (266°F to - 31 °F)
- Impact index of 16 J (12 ft/lb)
- For corrosion resistance information, please refer to table in the Technical Information section

Finish

- Polycarbonate material has a Light gray finish
- Optional inner panels are available in white powder coated finished steel or unfinished aluminum, or Fiberglass

Accessories

- Additional Inner Panels...*See Page 298*
- Swing Panel...*See Page 305*
- Pole Mounting Kit...*See Page 324*
- PJ/PJU/PCJ Replacement Hardware Kits...*See Page 293*
- Moulded Replacement Polycarbonate Flange...*See Page 291*
- Moulded Replacement Polycarbonate Feet...*See Page 292*
- Climate Control...*See Page 244*
- General Accessories...*See Page 281*

Solid Cover		Clear Cover		Enclosure			Optional Inner Panel		
w/Flange Part No.	w/Feet Part No.	w/Flange Part No.	w/Feet Part No.	H	W	D	H	W	Part No.
	PCJ443NL		PCJ443CCNL	3.95	3.95	3.31	3.56	3.56	PCJR0303
PCJ664NLF	PCJ664NL	PCJ664CCNLF	PCJ664CCNL	5.93	6.16	3.98	4.81	4.81	PCJR0505
PCJ864NLF	PCJ864NL	PCJ864CCNLF	PCJ864CCNL	7.94	6.16	3.98	6.75	4.88	PCJR0705
PCJ884NLF	PCJ884NL	PCJ884CCNLF	PCJ884CCNL	7.94	8.15	3.98	6.75	6.88	PCJR0808
PCJ1084NLF	PCJ1084NL	PCJ1084CCNLF	PCJ1084CCNL	9.93	8.15	3.98	8.75	6.88	PCJR0907
PCJ1086NLF	PCJ1086NL	PCJ1086CCNLF	PCJ1086CCNL	9.93	8.15	5.98	8.75	6.88	PCJR0907
PCJ12104NLF	PCJ12104NL	PCJ12104CCNLF	PCJ12104CCNL	11.92	10.15	3.98	10.75	8.88	PCJR1109
PCJ12106NLF	PCJ12106NL	PCJ12106CCNLF	PCJ12106CCNL	11.92	10.15	5.98	10.75	8.88	PCJR1109
PCJ12126NLF	PCJ12126NL	PCJ12126CCNLF	PCJ12126CCNL	11.92	12.16	5.98	10.75	10.88	PCJR1111
PCJ14126NLF	PCJ14126NL	PCJ14126CCNLF	PCJ14126CCNL	13.94	12.16	5.98	12.75	10.88	PCJR1311
PCJ16148NLF	PCJ16148NL	PCJ16148CCNLF	PCJ16148CCNL	15.98	13.98	7.81	14.75	12.88	14R1513
PCJ181610NLF	PCJ181610NL	PCJ181610CCNLF	PCJ181610CCNL	18.04	16.04	9.81	16.88	14.88	P1868
PCJ201610NLF	PCJ201610NL	PCJ201610CCNLF	PCJ201610CCNL	20.04	16.04	9.81	18.88	14.88	P2068

Alternative inner panel options also available.

Technical references and CAD downloads available at www.hammondmfg.com

All dimensions in inches unless specified otherwise

Quality Products. Service Excellence.

© Hammond Manufacturing | Canada: 519.822.2960 or 905.456.3770 | USA: 716.630.7090 | Data Subject to change without notice

Distributed by Cross Automation | +1 (262) 252-1600 | sales@grossautomation.com

Non-Metallic Enclosures (Type 4X) Junction Boxes

Type 4X Polycarbonate Junction Box (Solid and Clear Cover) *PCJ Series*

Metal Latch Cover



Quick Link: hammfg.com/PCJ-SL

Application

- Designed to insulate and protect controls and components in both indoor and outdoor conditions
- Ideal for industrial pump controls, waste water, irrigation control along with solar/wind and chemical plants

Standards

- UL 508A Type 1, 2, 3, 3R, 4, 4X, 12 and 13
- CSA Type 1, 2, 3, 3R, 4, 4X, 12 and 13
- Complies with
 - NEMA Type 1, 2, 3, 3R, 4, 4X, 12 and 13
 - IEC 60529, IP66
 - Flammability V-O per UL 94
 - UV rating (f1) per UL746C - UV stabilized for outdoor use
- Compliant with RoHS directive

Construction

- Injection moulded polycarbonate thermoplastic enclosure with matching cover is easily punched, cut, or drilled
- Enhanced UV inhibitors protect against outdoor weathering
- Threaded brass inserts are provided for optional inner panel or terminal kit mounting. Mounting hardware is included
- Stainless steel 316 screw fasteners
- Door fasteners include a provision for padlocking on Snap Latches
- Enclosure available with clear Polycarbonate cover
- Molded hinge
- Captive oil resistant gasket provides a positive seal
- Available with Polycarbonate flange or foot mount brackets for multi-directional mounting
- Operating temperatures between 130°C and - 35 °C (266°F to - 31 °F)
- Impact index of 16 J (12 ft/lb)
- For corrosion resistance information, please refer to table in the Technical Information section

Finish

- Polycarbonate material has a light gray finish
- Optional inner panels are available in white powder coated finished steel, unfinished aluminum, or fiberglass

Accessories

- Additional Inner Panels...*See Page 298*
- Swing Panel...*See Page 305*
- Pole Mounting Kit...*See Page 324*
- PJ/PJU/PCJ Replacement Hardware Kits...*See Page 293*
- Moulded Replacement Polycarbonate Flange...*See Page 291*
- Moulded Replacement Polycarbonate Feet...*See Page 292*
- Climate Control...*See Page 244*
- General Accessories...*See Page 281*

Solid Cover		Clear Cover		Enclosure			Optional Inner Panel		
w/Flange Part No.	w/Feet Part No.	w/Flange Part No.	w/Feet Part No.	H	W	D	H	W	Part No.
	PCJ443L		PCJ443CCL	3.95	3.95	3.31	3.56	3.56	PCJR0303
PCJ664LF	PCJ664L	PCJ664CCLF	PCJ664CCL	5.93	6.16	3.98	4.81	4.81	PCJR0505
PCJ864LF	PCJ864L	PCJ864CCLF	PCJ864CCL	7.94	6.16	3.98	6.75	4.88	PCJR0705
PCJ884LF	PCJ884L	PCJ884CCLF	PCJ884CCL	7.94	8.15	3.98	6.75	6.88	PCJR0808
PCJ1082LF	PCJ1082L	PCJ1082CCLF	PCJ1082CCL	9.93	8.15	2.70	8.75	6.88	PCJR0907
PCJ1084LF	PCJ1084L	PCJ1084CCLF	PCJ1084CCL	9.93	8.15	3.98	8.75	6.88	PCJR0907
PCJ1086LF	PCJ1086L	PCJ1086CCLF	PCJ1086CCL	9.93	8.15	5.98	8.75	6.88	PCJR0907
PCJ12104LF	PCJ12104L	PCJ12104CCLF	PCJ12104CCL	11.92	10.15	3.98	10.75	8.88	PCJR1109
PCJ12106LF	PCJ12106L	PCJ12106CCLF	PCJ12106CCL	11.92	10.15	5.98	10.75	8.88	PCJR1109
PCJ12126LF	PCJ12126L	PCJ12126CCLF	PCJ12126CCL	11.92	12.16	5.98	10.75	10.88	PCJR1111
PCJ14126LF	PCJ14126L	PCJ14126CCLF	PCJ14126CCL	13.94	12.16	5.98	12.75	10.88	PCJR1311
PCJ16148LF	PCJ16148L	PCJ16148CCLF	PCJ16148CCL	15.98	13.98	7.81	14.75	12.88	14R1513
PCJ181610LF	PCJ181610L	PCJ181610CCLF	PCJ181610CCL	18.04	16.04	9.81	16.88	14.88	P1868
PCJ201610LF	PCJ201610L	PCJ201610CCLF	PCJ201610CCL	20.04	16.04	9.81	18.88	14.88	P2068

Alternative inner panel options also available.

Technical references and CAD downloads available at www.hammondmfg.com

All dimensions in inches unless specified otherwise

Quality Products. Service Excellence.

Type 4X Fiberglass Junction Box *PJHD Series*

Heavy Duty PJ Snap Latch



Quick Link: hammfg.com/PJHD

Application

- Ideal to insulate and house off-grid solar batteries or remote monitoring equipment in outdoor applications
- Especially well suited for high temperature or corrosive environment
- Protects from UV, dirt, dust, oil, and water
- Moulded in UV stabilized ultraguard FRP material with 316 stainless hardware

Features

- Increased wall thickness of 0.200" (5mm)
- Pad-lockable snap latches
- Gasket made of closed cell neoprene core encased in a continuous channel

Dimensions

- Body = 18.24" H x 16.24" W x 10.13" D
- Body and Lid overall Height = 12.1"
- Optional Inner Panels
 - P1868 (white painted steel)
 - F1868 (fiberglass)
 - A1868 (unfinished aluminum)

Part No.

PJHD181610RLF

Type 4X Polyester Wallmount Enclosure *PJW Series*

Continuous Hinge Door with Twist Latches and 3 Pt Handle



Quick Link: hammfg.com/PJWL

Application

- Designed for use as instrument enclosures, electric, hydraulic or pneumatic control housings, electrical junction boxes or terminal wiring enclosures.
- Provides outstanding insulation and protection where equipment may be hosed down or be very wet.
- Ideal in applications with high temperatures or highly corrosive environments.

Standards

- UL/cUL 508A Type 1, 2, 3, 4, 4X, 12 and 13
- CSA Type 1, 2, 3, 4, 4X, 12 and 13
- Complies with
 - NEMA Type 1, 2, 3, 4, 4X, 12 and 13
 - IEC 60529, IP66

Construction

- Molded fiberglass polyester enclosure with matching cover is easily punched, cut, or drilled.
- Enhanced UV inhibitors protect against outdoor weathering.
- 3/8 collar studs are provided for optional inner panel mounting, hardware included. Note: Sizes 36x36" and larger have 8 collar studs for added stiffness.
- Stainless steel butterfly type "twist latch" door fasteners with padlock provision.
- Captive oil resistant gasket provides a positive seal.
- Integrated mounting flange.
- Operating temperatures between 130°C and -40°C (266°F to -40°F).
- Impact index of 6.78J (5 ft/lb).
- For corrosion resistance information, please refer to table in the Technical Information section.

Finish

- Fiberglass polyester material has a gray finish.
- Optional inner panels are available in white powder coated finished steel.

Accessories

- Additional Inner Panels...*See Page 295*
- Pole Mounting Kit...*See Page 324*
- Window Kits...*See Page 308*
- Climate Control...*See Page 244*
- General Accessories...*See Page 281*

Latch Part No.	3 Pt Handle Part No.	Enclosure			Optional Inner Panel		
		H	W	D	H	W	Part No.
PJEC363012T	PJEC3630123PT	36.48	30.50	12.18	33.00	27.00	18P3327
PJEC363012TW	PJEC3630123PTW	36.48	30.50	12.18	33.00	27.00	18P3327
PJW363014L	PJW363014L3PT	36.25	30.25	14.13	33.00	27.00	18P3327
PJW363610L	PJW363610L3PT	36.25	36.25	10.13	33.00	33.00	18P3333
PJW363614L	PJW363614L3PT	36.25	36.25	14.13	33.00	33.00	18P3333
PJW483610L	PJW483610L3PT	48.25	36.25	10.13	45.00	33.00	18P4533
PJW483614L	PJW483614L3PT	48.25	36.25	14.13	45.00	33.00	18P4533
PJW603610L	PJW603610L3PT	60.25	36.25	10.13	57.00	33.00	18P5733
PJW603614L	PJW603614L3PT	60.25	36.25	14.13	57.00	33.00	18P5733

Parts ending in W have window. Alternative inner panel options also available.

Type 4X Polyester Wallmount Enclosure *PHW Series*

Continuous Hinge Door with Twist Latches

Non-Metallic Enclosures (Type 4X)

Wallmount Enclosures



Quick Link: hammfg.com/PHW

Application

- These enclosures are specially designed to accommodate electrical, electronic, instrumentation and mechanical controls indoors and outdoors.
- For use where corrosion resistant watertight enclosures are needed to provide protection against windblown dust and rain, splashing and hose directed water.

Standards

- UL 508A 1, 3, 3R, 4, 4X, 12
- CSA 1, 3, 3R, 4, 4X, 12
- Complies with
 - NEMA 1, 3, 3R, 4, 4X, 12
 - IEC 60529, IP 66

Construction

- Compression molded, fiberglass reinforced polyester.
- Memory retaining, continuous door gasket standard.
- Molded in panel mounting inserts (except where noted).
- Integral mounting feet.
- Stainless steel hardware.
- Padlocking provision.
- Stainless steel butterfly type “twist latch” door fasteners.
- Ported with a continuous hinge.
- For corrosion resistance information, please refer to table in the Technical Information section.

Finish

- Fiberglass reinforced material is finished in light gray.

Accessories

- Additional Inner Panels...*See Page 295*
- Window Kits...*See Page 308*
- Climate Control...*See Page 244*
- General Accessories...*See Page 281*

Part No.	Enclosure			Optional Inner Panel		
	H	W	D	H	W	Part No.
PHW20166	22.75	16.87	7.77	17.00	13.00	18P1713
PHW30247	33.41	26.32	8.81	27.00	21.00	18P2721
PHW20168	22.75	16.87	9.77	17.00	13.00	18P1713
PHW24208	27.00	21.24	9.90	21.00	17.00	18P2117
PHW30208	32.86	20.99	9.89	27.00	17.00	18P2717
PHW201610	22.75	16.87	11.77	17.00	13.00	18P1713
PHW241210	26.95	13.72	11.99	21.00	9.00	18P2109
PHW242410	27.00	25.25	11.90	21.00	21.00	18P2121
PHW302010	32.86	20.99	11.89	27.00	17.00	18P2717
PHW302410	33.41	26.32	11.95	27.00	21.00	18P2721
PHW363010	39.31	32.50	12.05	33.00	27.00	18P3327
PHW201612	22.75	16.87	13.77	17.00	13.00	18P1713
PHW302412	33.41	26.32	13.79	27.00	21.00	18P2721
PHW363012	39.31	32.50	14.05	33.00	27.00	18P3327
PHW483616	51.29	36.62	17.93	45.00	33.00	18P4533
PHW603616	63.50	36.50	18.12	57.00	33.00	18P5733

Alternative inner panel options also available.

Type 4X Polyester Single/Two Door Freestanding Enclosure *PJFS Series*

Continuous Hinge Door with Handle



Quick Link: hammfg.com/PJFS

Application

- Designed for use as instrument enclosures, electric, hydraulic, or pneumatic control housings, electrical junction boxes, or terminal wiring enclosures.
- Provides outstanding insulation and protection where equipment may be hosed down or be very wet.
- Ideal in applications with high temperatures or highly corrosive environments.

Standards

- UL/cUL 508A Type 1, 2, 3, 4, 4X, 12 and 13
- Complies with
 - IEC 60529, IP66
 - NEMA Type 1, 2, 3, 4, 4X, 12 and 13

Construction

- Fiberglass polyester enclosure with matching door is easily punched, cut, or drilled.
- Enhanced UV inhibitors protect against outdoor weathering.
- Collar Studs are provided for optional inner panel(s).
- Two door enclosure accommodates 2 separate inner panels
- Mounting hardware included.
- Heavy duty continuous 304 SS Hinge.
- Flexible self-gripping gasket compresses over flange for tight seal.
- 3-point SS handle with pad lock provision.
- Molded-in drip shield.
- Fiberglass mounting strut side walls on double door unit.
- Operating temperatures between 130°C and -40°C (266°F to -40°F).
- Impact index of 6.78J (5 ft/lb).
- For corrosion resistance information, please refer to table in the Technical Information section.

Finish

- Fiberglass polyester material has a gray finish.
- Optional inner panels are available in white powder coated finished steel.

Accessories

- Window Kits...*See Page 308*
- Climate Control...*See Page 244*
- General Accessories...*See Page 281*

Part No.	Enclosure			Optional Inner Panel		
	H	W	D	H	W	Part No.
PJFS722525	72.00	25.00	24.50	57.00	21.00	18P5721
PJFS724925DD	72.00	48.00	24.50	57.00	21.00	18P5721





DD version is a double door unit. Order 2 inner panels for double door enclosure.

Freestanding Enclosures

Non-Metallic Enclosures (Type 4X)

Disconnect Enclosures

Disconnect Enclosures

	Type 4 Mild Steel Wallmount Disconnect Enclosure 1447S HK Series Continuous Hinge Door (Flange w/ multi-vendor cutout) with Defeater Handle..... 106		Type 4X Stainless Steel Multi-Door Freestanding Disconnect Enclosure UHD SS Series Hinge Door with Handle (Flange w/ multi-vendor cutout) 122
	Type 4 Mild Steel Wallmount Disconnect Enclosure Eclipse Series Hinge Door with Handle (Flange w/ multi-vendor cutout) 108		Type 4X Sloped Top Stainless Steel Freestanding Disconnect 2STFSD Series..... 124
	Type 4 Mild Steel Wallmount Disconnect Enclosure 1447S N4 Series Continuous Hinge Door with Clamps (Flange w/ multi- vendor cutout)..... 109		
	Type 4X Stainless Steel Wallmount Disconnect Enclosure Eclipse Series Hinge Door with Handle (Flange w/ multi-vendor cutout)110		
	Type 4X Stainless Steel Wallmount Disconnect Enclosure 1447S N4 SS Series Continuous Hinge Door with Clamps (Flange w/ multi- vendor cutout)..... 111		
	Type 12 Mild Steel Two Door Wallmount Disconnect Enclosure 2UD Series Hinge Door with Handle (Flange w/ multi-vendor cutout)112		
	Type 12 Mild Steel Two Door Floormount Disconnect Enclosure 2UD F Series Hinge Door with Handle (Flange w/ multi-vendor cutout)114		
	Type 12 Mild Steel Two Door Floormount Disconnect Enclosure 2UD CP F Series Hinge Door with Handle (Center Post Flange w/ multi- vendor cutout).....116		
	Type 12 Mild Steel Multi-Door Freestanding Disconnect Enclosure UHD Series Hinge Door with Handle (Flange w/ multi-vendor cutout)118		
	Type 12 Mild Steel Modular Freestanding Disconnect Enclosure UHD M Series Hinge Door with Handle (Flange w/ multi-vendor cutout) 120		

Disconnect Enclosures

Type 4 Mild Steel Wallmount Disconnect Enclosure *1447S HK Series*

Continuous Hinge Door (Flange w/ multi-vendor cutout) with Defeater Handle



Quick Link: hammfg.com/1447SHK

Application

- Designed to house the following safety disconnect equipment:
 - ABB Controls flange-mounted variable depth operating mechanism for disconnect switches and circuit breakers. Also cable version for circuit breakers.
 - Allen Bradley 1494V and 1494U variable depth flange mounted disconnect switches and circuit breaker mechanisms.
 - C-H Westinghouse C361 flange mounted variable depth operating mechanism with disconnect switches and C371 flange mounted variable depth operating mechanisms for circuit breakers. Also Flex-Shaft™ handle mechanisms for circuit breakers.
 - General Electric Type STDA flange handles and variable depth operating mechanism for disconnect switches and circuit breakers. Also SpectraFlex™ cable operators for circuit breakers.
 - Siemens I-T-E Max-Flex™ flange mounted variable depth handles for disconnect switches and circuit breakers.
 - Square D class 9422 disconnect switches with flange mounted variable depth operating mechanisms or cable mechanisms and Class 9422 flange-mounted variable depth operating mechanisms or cable mechanisms for circuit breakers. Will not accept Square D Class 9422 bracket-mounted disconnect devices, 9422TG1 or TG2 devices
- Refer to the Type 12 Wallmount Selection Guide.

Standards

- UL 508A Type 4, 12, and 13
- CSA Type 4, 12, and 13
- Complies with
 - NEMA Type 4, 12 and 13
 - IEC 60529, IP66
 - Appropriate components are required to maintain these standards.

Construction

- Formed 14-gauge steel.
- Continuously welded seams.
- Larger sizes include door and body stiffeners.
- Welded brackets provide for enclosure mounting.
- Formed lip on enclosure exclude flowing liquids and contaminants.
- Seamless poured-in place gasket.
- Cutouts and holes are provided to suit the flange handle operating mechanism.
- Continuously hinged doors may be removed by pulling the hinge pin.
- Pad lock defeater handle mechanism is provided along with latching rods and interlock brackets.
- Collar studs are provided for mounting inner panels.
- A removable 12 gauge inner panel is included.
- A bonding stud is provided on the door and a grounding stud is provided in the enclosure.
- A literature pocket is provided.

Finish

- Cover and enclosure are finished in ANSI61 gray powder coat finish inside and out.
- Inner panel finished in white powder coat finish.

Note

- Disconnects, operating mechanisms are not provided with the enclosure, and must be ordered separately from the manufacturer.

Accessories

- Additional Inner Panels...*See Page 295*
- Door Stop Kit...*See Page 320*
- Floor Stand Kit...*See Page 320*
- Enclosure Stabilizers...*See Page 322*
- Drip Shield Kit...*See Page 319*
- Window Kits...*See Page 308*
- Climate Control...*See Page 244*
- Lighting...*See Page 312*

Type 4 Mild Steel Wallmount Disconnect Enclosure *1447S HK Series*

Continuous Hinge Door (Flange w/ multi-vendor cutout) with Defeater Handle

Part No.	Enclosure			Inner Panel	
	H	W	D	H	D
1447SA8HK	20.00	21.38	8.00	17.00	17.00
1447SB8HK	24.00	21.38	8.00	21.00	17.00
1447SC8HK	24.00	25.38	8.00	21.00	21.00
1447SD8HK	30.00	21.38	8.00	27.00	17.00
1447SE8HK	30.00	25.38	8.00	27.00	21.00
1447SF8HK	36.00	25.38	8.00	33.00	21.00
1447SG8HK	36.00	31.38	8.00	33.00	27.00
1447SH8HK	42.00	31.38	8.00	39.00	27.00
1447SJ8HK	42.00	37.38	8.00	39.00	33.00
1447SK8HK	48.00	37.38	8.00	45.00	33.00
1447SL8HK	60.00	37.38	8.00	57.00	33.00
1447SA10HK	20.00	21.38	10.00	17.00	17.00
1447SB10HK	24.00	21.38	10.00	21.00	17.00
1447SC10HK	24.00	25.38	10.00	21.00	21.00
1447SD10HK	30.00	21.38	10.00	27.00	17.00
1447SE10HK	30.00	25.38	10.00	27.00	21.00
1447SF10HK	36.00	25.38	10.00	33.00	21.00
1447SG10HK	36.00	31.38	10.00	33.00	27.00
1447SH10HK	42.00	31.38	10.00	39.00	27.00
1447SJ10HK	42.00	37.38	10.00	39.00	33.00
1447SQ10HK	48.00	25.40	10.00	45.00	21.00
1447SK10HK	48.00	37.38	10.00	45.00	33.00
1447SL10HK	60.00	37.38	10.00	57.00	33.00
1447SE12HK	30.00	25.38	12.00	27.00	21.00
1447SG12HK	36.00	31.38	12.00	33.00	27.00
1447SH12HK	42.00	31.38	12.00	39.00	27.00
1447SJ12HK	42.00	37.38	12.00	39.00	33.00
1447SK12HK	48.00	37.38	12.00	45.00	33.00
1447SL12HK	60.00	37.38	12.00	57.00	33.00
1447SG16HK	36.00	31.38	16.00	33.00	27.00
1447SH16HK	42.00	31.38	16.00	39.00	27.00
1447SJ16HK	42.00	37.38	16.00	39.00	33.00
1447SK16HK	48.00	37.38	16.00	45.00	33.00
1447SL16HK	60.00	37.38	16.00	57.00	33.00

Disconnect Enclosures Wallmount Enclosures

Type 4 Mild Steel Wallmount Disconnect Enclosure *Eclipse Series*

Hinge Door with Handle (Flange w/ multi-vendor cutout)



Quick Link: hammfg.com/EN4DSC

Application

- Designed to house the following safety disconnect equipment:
 - ABB Controls flange mounted variable depth operating mechanisms for disconnect switches and circuit breakers. Cable version for circuit breakers also available.
 - Allen Bradley 1494V and 1494U variable depth flange mounted disconnect switches and circuit breaker mechanisms.
 - Cutler Hammer C361 variable depth flange mounted disconnect switches and C371 circuit breaker operators. Also Flex-Shaft™ handle mechanisms for circuit breakers. Use Cutler Hammer NEMA 4X rated operating handles to maintain NEMA 4X integrity.
 - Siemens I-T-E Max-Flex™ flange mounted variable depth handles for disconnect switch and circuit breakers. Use handle for NEMA 4 rating.
 - General Electric Type STDA flange handles and variable depth operating mechanisms for disconnect switches and circuit breakers. Also SpectraFlex™ cable operators for circuit breakers.
 - Square D Class 9422 disconnect switches with flange mounted variable depth operating mechanisms or cable mechanisms and Class 9422 flange mounted variable depth operating mechanism or cable mechanisms for circuit breakers. SN4SS enclosures will not accept Square D Class 9422 bracket-mounted disconnect devices, 9422TG1 or TG2 devices.
- Refer to the Type 4 Wallmount Selection Guide.

Standards

- UL 508A Type 3R, 4
- CSA Type 3R, 4
- Complies with
 - NEMA Type 3R, 4, 12 and 13
 - IEC 60529, IP66

- Appropriate components are required to maintain these standards.

Construction

- Formed 14 gauge doors with 16 or 14 (36x32" and larger) gauge steel.
- Continuously welded seams.
- Larger sizes include door stiffeners.
- Formed lip on door and enclosure exclude flowing liquids and contaminants.
- Cutouts and holes are provided to suit the flange handle operating mechanism.
- Doors may be easily removed for modifications and are interchangeable.
- Door is secured with easily operated 2 or 3-point handle.
- Cover interlock bracket is included on the door.
- Collar studs are provided for mounting inner panels.
- Removable inner panel is sold separately.
- Seamless poured-in place gasket.
- A bonding stud is provided on the door and a grounding stud is provided in the enclosure.
- Includes hardware kit with panel mounting nuts and sealing washers for wall mounting holes.
- Disconnects and operating mechanisms are not provided with the enclosure, and must be ordered separately from the manufacturer.

Finish

- Cover and enclosure are finished in recoatable smooth ANSI 61 gray powder coating.

Accessories

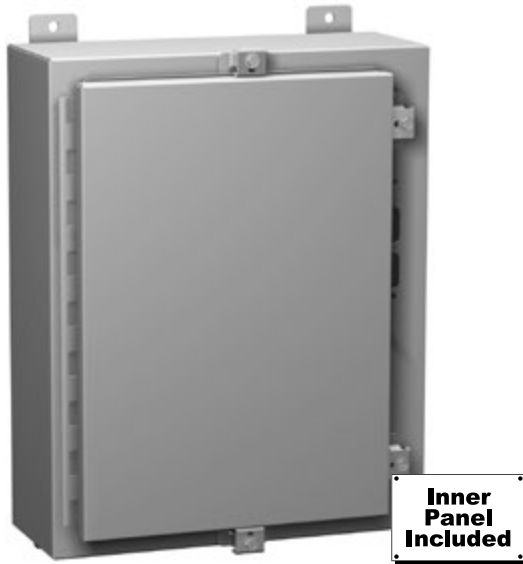
- Additional Inner Panels...*See Page 296*
- Door Stop Kit...*See Page 320*
- Mounting Foot Kit...*See Page 291*
- Drip Shield Kit...*See Page 319*
- Window Kits...*See Page 308*
- Climate Control...*See Page 244*
- Lighting...*See Page 312*
- General Accessories...*See Page 281*

Part No.	Enclosure			Optional Inner Panel		
	H	W	D	Part No.	H	W
EN4DSC20228GY	20.00	22.00	8.00	EP2020	18.17	18.17
EN4DSC24228GY	24.00	22.00	8.00	EP2420	22.17	18.17
EN4DSC24268GY	24.00	26.00	8.00	EP2424	22.17	22.17
EN4DSC30268GY	30.00	26.00	8.00	EP3024	28.17	22.17
EN4DSC36268GY	36.00	26.00	8.00	EP3624	34.17	22.17
EN4DSC36328GY	36.00	32.00	8.00	EP3630	34.17	28.17
EN4DSC423212GY	42.00	32.00	12.00	EP4230	40.17	28.17
EN4DSC423812GY	42.00	38.00	12.00	EP4236	40.17	34.17
EN4DSC483812GY	48.00	38.00	12.00	EP4836	46.17	34.17
EN4DSC603812GY	60.00	38.00	12.00	EP6036	58.17	34.17

Alternative inner panel options also available.

Type 4 Mild Steel Wallmount Disconnect Enclosure *1447S N4 Series*

Continuous Hinge Door with Clamps (Flange w/ multi-vendor cutout)



Quick Link: hammfg.com/1447SN4

Application

- Designed to house the following safety disconnect equipment:
 - ABB Controls flange-mounted variable depth operating mechanism for disconnect switches and circuit breakers. Cable version for circuit breakers also available.
 - Allen Bradley 1494V and 1494U variable depth flange mounted disconnect switches and circuit breaker mechanisms.
 - C-H Westinghouse C361 variable depth flange mounted disconnect switches and C371 circuit breaker operators, and also Flex-Shaft™ handle mechanism for circuit breakers. Use Cutler Hammer NEMA 4 rated operating handles to maintain NEMA 4 integrity.
 - General Electric Type STDA flange handles and variable depth operating mechanism for disconnect switches and circuit breakers. Also Spectra-Flex™ cable operators for circuit breakers.
 - Siemens I-T-E Max-Flex™ flange mounted variable depth handles for disconnect switches and circuit breakers. Use handle for NEMA 4.
 - Square D class 9422 disconnect switches with flange-mounted variable depth operating mechanisms or cable mechanisms and Class 9422 flange-mounted variable depth operating mechanisms or cable mechanisms for circuit breakers. SN4 enclosures will not accept Square D Class 9422 bracket-mounted disconnect devices, 9422TG1 or TG2 devices.
- Refer to the Type 4 Wallmount Selection Guide.

Standards

- UL 508A Type 3R, 4
- CSA Type 3R, 4
- Complies with
 - NEMA Type 3R, 4, 12
 - IEC 60529, IP66
- Appropriate components are required to maintain these standards.

Construction

- Formed 14 gauge steel.
- Continuously welded seams.
- Larger sizes include door and body stiffeners.
- Welded brackets provide for enclosure mounting.
- Formed lip on door and enclosure exclude flowing liquids and contaminants.
- Cutouts and holes are provided to suit the flange handle operating mechanism.
- Continuously hinged doors may be removed by pulling the stainless steel hinge pin.
- Door is secured with easily operated stainless steel clamps.
- Cover interlock bracket is welded to the door.
- Collar studs are provided for mounting inner panels.
- A removable 12 gauge inner panel is included.
- Seamless poured-in place gasket.
- A bonding stud is provided on the door and a grounding stud is provided in the enclosure.
- A literature pocket is provided for the inside of the door.

Finish

- Disconnects and operating mechanisms are not provided with the enclosure, and must be ordered separately from the manufacturer.

Accessories

- Additional Inner Panels...*See Page 295*
- Door Stop Kit...*See Page 320*
- Floor Stand Kit...*See Page 320*
- Enclosure Stabilizers...*See Page 322*
- Drip Shield Kit...*See Page 319*
- Door Clamping Hardware...*See Page 282*
- Window Kits...*See Page 308*
- Climate Control...*See Page 244*
- Lighting...*See Page 312*
- General Accessories...*See Page 281*

Part No.	Enclosure			Inner Panel	
	H	W	D	H	W
1447SN4B8	24.00	21.38	8.00	21.00	17.00
1447SN4C8	24.00	25.38	8.00	21.00	21.00
1447SN4E8	30.00	25.38	8.00	27.00	21.00
1447SN4F8	36.00	25.38	8.00	33.00	21.00
1447SN4G8	36.00	31.38	8.00	33.00	27.00
1447SN4H12	42.00	31.38	12.00	39.00	27.00
1447SN4J12	42.00	37.38	12.00	39.00	33.00
1447SN4K12	48.00	37.38	12.00	45.00	33.00
1447SN4L12	60.00	37.38	12.00	57.00	33.00

Technical references and CAD downloads available at www.hammondmfg.com

All dimensions in inches unless specified otherwise

Quality Products. Service Excellence.

Type 4X Stainless Steel Wallmount Disconnect Enclosure *Eclipse Series*

Hinge Door with Handle (Flange w/ multi-vendor cutout)



Quick Link: hammfg.com/EN4DSCSS

Application

- Designed to house the following safety disconnect equipment:
 - ABB Controls flange mounted variable depth operating mechanisms for disconnect switches and circuit breakers. Cable version for circuit breakers also available.
 - Allen Bradley 1494V and 1494U variable depth flange mounted disconnect switches and circuit breaker mechanisms.
 - Cutler Hammer C361 variable depth flange mounted disconnect switches and C371 circuit breaker operators. Also Flex-Shaft™ handle mechanisms for circuit breakers. Use Cutler Hammer NEMA 4X rated operating handles to maintain NEMA 4X integrity.
 - Siemens I-T-E Max-Flex™ flange mounted variable depth handles for disconnect switch and circuit breakers. Use handle for NEMA 4 rating.
 - General Electric Type STDA flange handles and variable depth operating mechanisms for disconnect switches and circuit breakers. Also SpectraFlex™ cable operators for circuit breakers.
 - Square D Class 9422 disconnect switches with flange mounted variable depth operating mechanisms or cable mechanisms and Class 9422 flange mounted variable depth operating mechanism or cable mechanisms for circuit breakers. SN4SS enclosures will not accept Square D Class 9422 bracket-mounted disconnect devices, 9422TG1 or TG2 devices.
- Refer to the Type 4 Wallmount Selection Guide.

Standards

- UL 508A Type 3R, 4 and 4X
- CSA Type 3R, 4 and 4X
- Complies with
 - NEMA Type 3R, 4, 4X, 12 and 13
 - IEC 60529, IP66
- Appropriate components are required to maintain these standards.

Construction

- Formed 14 gauge doors with 16 or 14 (36x32" and larger) gauge type 304 stainless steel.
- Continuously welded seams.
- Larger sizes include door stiffeners.
- Formed lip on door and enclosure exclude flowing liquids and contaminants.
- Cutouts and holes are provided to suit the flange handle operating mechanism.
- Doors may be easily removed for modifications and are interchangeable.
- Door is secured with easily operated 2 or 3 point, padlockable handle.
- Cover interlock bracket is included on the door.
- Collar studs are provided for mounting inner panels.
- Removable inner panel is sold separately.
- Seamless poured-in place gasket.
- A bonding stud is provided on the door and a grounding stud is provided in the enclosure.
- Includes hardware kit with panel mounting nuts and sealing washers for wall mounting holes.

Finish

- Disconnects and operating mechanisms are not provided with the enclosure, and must be ordered separately from the manufacturer.

Accessories

- Additional Inner Panels...*See Page 296*
- Door Stop Kit...*See Page 320*
- Mounting Foot Kit...*See Page 291*
- Climate Control...*See Page 244*
- Window Kits...*See Page 308*
- Lighting...*See Page 312*
- General Accessories...*See Page 281*

Part No.	Enclosure			Optional Inner Panel		
	H	W	D	Part No.	H	W
EN4DSC20228SS	20.00	22.00	8.00	EP2020	18.17	18.17
EN4DSC24228SS	24.00	22.00	8.00	EP2420	22.17	18.17
EN4DSC24268SS	24.00	26.00	8.00	EP2424	22.17	22.17
EN4DSC30268SS	30.00	26.00	8.00	EP3024	28.17	22.17
EN4DSC36268SS	36.00	26.00	8.00	EP3624	34.17	22.17
EN4DSC36328SS	36.00	32.00	8.00	EP3630	34.17	28.17
EN4DSC423212SS	42.00	32.00	12.00	EP4230	40.17	28.17
EN4DSC423812SS	42.00	38.00	12.00	EP4236	40.17	34.17
EN4DSC483812SS	48.00	38.00	12.00	EP4836	46.17	34.17
EN4DSC603812SS	60.00	38.00	12.00	EP6036	58.17	34.17

Alternative inner panel options also available.

Technical references and CAD downloads available at www.hammondmfg.com

All dimensions in inches unless specified otherwise

Type 4X Stainless Steel Wallmount Disconnect Enclosure *1447S N4 SS Series*

Continuous Hinge Door with Clamps (Flange w/ multi-vendor cutout)



Quick Link: hammfg.com/1447SN4SS

Application

- Designed to house the following safety disconnect equipment:
 - ABB Controls flange mounted variable depth operating mechanisms for disconnect switches and circuit breakers. Cable version for circuit breakers also available.
 - Allen Bradley 1494V and 1494U variable depth flange mounted disconnect switches and circuit breaker mechanisms.
 - Cutler Hammer C361 variable depth flange mounted disconnect switches and C371 circuit breaker operators. Also Flex-Shaft™ handle mechanisms for circuit breakers. Use Cutler Hammer NEMA 4X rated operating handles to maintain NEMA 4X integrity.
 - Siemens I-T-E Max-Flex™ flange mounted variable depth handles for disconnect switch and circuit breakers. Use handle for NEMA 4 rating.
 - General Electric Type STDA flange handles and variable depth operating mechanisms for disconnect switches and circuit breakers. Also SpectraFlex™ cable operators for circuit breakers.
 - Square D Class 9422 disconnect switches with flange mounted variable depth operating mechanisms or cable mechanisms and Class 9422 flange mounted variable depth operating mechanism or cable mechanisms for circuit breakers. SN4SS enclosures will not accept Square D Class 9422 bracket-mounted disconnect devices, 9422TG1 or TG2 devices.
- Refer to the Type 4 Wallmount Selection Guide.

Standards

- UL 508A Type 3R, 4 and 4X
- CSA Type 3R, 4 and 4X
- Complies with
 - NEMA Type 3R, 4, 4X, 12 and 13
 - IEC 60529, IP66
- Appropriate components are required to maintain these standards.

Construction

- Formed 14 gauge type 304 stainless steel.
- Continuously welded seams.
- Larger sizes include door and body stiffeners.
- Formed lip on door and enclosure exclude flowing liquids and contaminants.
- Cutouts and holes are provided to suit the flange handle operating mechanism.
- Continuously hinged doors may be removed by pulling the stainless steel hinge pin.
- Door is secured with easily operated stainless steel clamps.
- Cover interlock bracket is welded to the door.
- Collar studs are provided for mounting inner panels.
- A removable 12 gauge inner panel is included.
- Seamless poured-in place gasket.
- A bonding stud is provided on the door and a grounding stud is provided in the enclosure.
- A literature pocket is provided for the inside of the door.

Finish

- Disconnects and operating mechanisms are not provided with the enclosure, and must be ordered separately from the manufacturer.

Accessories

- Additional Inner Panels...*See Page 295*
- Door Stop Kit...*See Page 320*
- Floor Stand Kit...*See Page 320*
- Drip Shield Kit...*See Page 319*
- Door Clamping Hardware...*See Page 282*
- Window Kits...*See Page 308*
- Climate Control...*See Page 244*
- Lighting...*See Page 312*
- General Accessories...*See Page 281*

Part No.	Enclosure			Inner Panel	
	H	W	D	H	W
1447SN4SSB8	24.00	21.38	8.00	21.00	17.00
1447SN4SSC8	24.00	25.38	8.00	21.00	21.00
1447SN4SSE8	30.00	25.38	8.00	27.00	21.00
1447SN4SSF8	36.00	25.38	8.00	33.00	21.00
1447SN4SSG8	36.00	31.38	8.00	33.00	27.00
1447SN4SSH12	42.00	31.38	12.00	39.00	27.00
1447SN4SSJ12	42.00	37.38	12.00	39.00	33.00
1447SN4SSK12	48.00	37.38	12.00	45.00	33.00
1447SN4SSL12	60.00	37.38	12.00	57.00	33.00

Type 12 Mild Steel Two Door Wallmount Disconnect Enclosure *2UD Series*

Hinge Door with Handle (Flange w/ multi-vendor cutout)



Quick Link: hammfg.com/2UD

Application

- Designed to accept the following disconnect switches and circuit breakers:
 - ABB Controls flange mounted variable depth operating mechanisms for disconnect switches and circuit breakers.
 - Allen Bradley 1494V and 1494U variable depth flange mounted disconnect switches and circuit breaker mechanisms.
 - C-H Westinghouse Type C361 disconnect switches and operator mechanisms, and type C371 circuit breakers and circuit breaker operating mechanisms. Flex Shaft™ handle operators for circuit breakers.
 - General Electric Type STDA flange handles and variable depth operating mechanisms for disconnect switches and circuit breakers. Also Spectra-Flex™ cable operators for circuit breakers.
 - Siemens I-T-E Max-Flex™ flange mounted variable depth operating handles for disconnect switches and circuit breakers.
 - Square D disconnect switches and circuit breakers used with Class 9422 flange mounted variable depth operating mechanisms or cable mechanisms. These enclosures will not receive Class 9422 bracket mounted disconnect devices, Class 9422TG1, or TG2 devices.
- Refer to the Universal Disconnect Selection Guide.

Standards

- UL 508A Type 12
- CSA Type 12
- Complies with
 - NEMA Type 12 and 13
 - IEC 60529, IP54
- Appropriate components are required to maintain these standards.

All universal series enclosures require one adaptor kit (ordered separately) to adapt the type of disconnect and mechanism to be used.

Operator Adaptor Kits

- Each brand and type requires a different adaptor kit.
- Each kit contains an adaptor plate and master door interlocking mechanism.
- Fully detailed, illustrated instructions are included.

Construction

- Formed from 10 gauge steel with smooth, continuously welded seams.
- Body stiffeners are included in the larger enclosures for extra rigidity.
- Heavy duty lifting eyes are anchored into reinforced top corners.
- Flange trough collar (FTC) around door opening excludes liquids and contaminants.
- Removable doors are secured with heavy duty lift-off hinges.
- Formed 10 gauge steel inner panels are provided on collar studs.
- Panel supports are provided.
- Center post is removable, providing easy panel installation.
- Heavy duty three point latching mechanism with heavy duty roller ends is provided for ease of door closing.
- Oil resistant gaskets are permanently secured.
- The right hand door is the master door.
- Master door handle complete with screw defeater and padlock hasp.
- Slave door handle complete with padlock hasp.
- A mechanical interlock activated by the master door prevents the auxiliary door from being opened first.
- The universal flange cutout provides mounting for disconnect operators by use of the appropriate operator adaptor kit.
- A provision for mounting fluorescent lighting is provided.
- A bonding stud is provided in the door and a grounding stud is provided in the enclosure for each door.
- A literature pocket is provided for the inside of the door.

Type 12 Mild Steel Two Door Wallmount Disconnect Enclosure *2UD Series*

Hinge Door with Handle (Flange w/ multi-vendor cutout)

Note

- Disconnect switches, circuit breakers and operators are not provided with the enclosure, and must be ordered separately from the manufacturer.

Finish

- Door and enclosure are phosphatized and finished in ANSI 61 gray recoatable powder coating on the inside and outside.
- Inner panel is finished in white powder coating.

Accessories

- Flange Disconnect Operator Adaptor Kits...*See Page 318*
- Additional Inner Panels...*See Page 297*
- Door Stop Kit...*See Page 320*
- Floor Stand Kit...*See Page 320*
- Window Kits...*See Page 308*
- Climate Control...*See Page 244*
- Lighting...*See Page 312*
- General Accessories...*See Page 281*

Part No.	Enclosure			Inner Panel	
	H	W	D	H	W
2UD605012FTC	60.13	50.00	12.13	56.00	44.00
2UD606212FTC	60.13	62.00	12.13	56.00	56.00
2UD726212FTC	72.13	62.00	12.13	68.00	56.00
2UD727412FTC	72.13	74.00	12.13	68.00	68.00

Type 12 Mild Steel Two Door Floormount Disconnect Enclosure *2UD F Series* Hinge Door with Handle (Flange w/ multi-vendor cutout)



Quick Link: hammfg.com/2UDE

Application

- Designed to accept the following disconnect switches and circuit breakers:
 - ABB Controls flange mounted variable depth operating mechanisms for disconnect switches and circuit breakers.
 - Allen Bradley 1494V and 1494U variable depth flange mounted disconnect switches and circuit breaker mechanisms.
 - C-H Westinghouse Type C361 disconnect switches and operator mechanisms, and type C371 circuit breakers and circuit breaker operating mechanisms. Flex Shaft™ handle operators for circuit breakers.
 - General Electric Type STDA flange handles and variable depth operating mechanisms for disconnect switches and circuit breakers. Also Spectra-Flex™ cable operators for circuit breakers.
 - Siemens I-T-E Max-Flex™ flange mounted variable depth operating handles for disconnect switches and circuit breakers.
 - Square D disconnect switches and circuit breakers used with Class 9422 flange mounted variable depth operating mechanisms or cable mechanisms. These enclosures will not receive Class 9422 bracket mounted disconnect devices, Class 9422TG1, or TG2 devices.
- Refer to the Universal Disconnect Selection Guide.

Standards

- UL 508A Type 12
- CSA Type 12
- Complies with
 - NEMA Type 12
 - IEC 60529, IP54
- Appropriate components are required to maintain these standards.

All universal series enclosures require one adaptor kit (ordered separately) to adapt the type of disconnect and mechanism to be used.

Operator Adaptor Kits

- Each brand and type requires a different adaptor kit.
- Each kit contains an adaptor plate and master door interlocking mechanism.
- Fully detailed, illustrated instructions are included.

Construction

- Formed from 10 gauge steel with smooth, continuously welded seams.
- Body stiffeners are included in the larger enclosures for extra rigidity.
- Flange trough collar (FTC) around door opening excludes liquids and contaminants.
- 15" floor stands are welded to the enclosure.
- Removable doors are secured with heavy duty lift-off hinges.
- Formed 10 gauge steel inner panels are provided on collar studs.
- Panel supports are provided.
- Center post is removable, providing easy panel installation.
- Heavy duty three point latching mechanism with heavy duty roller ends is provided for ease of door closing.
- Oil resistant gaskets are permanently secured.
- The right hand door is the master door.
- Master door handle complete with screw defater and padlock hasp.
- Slave door handle complete with padlock hasp.
- A mechanical interlock activated by the master door prevents the auxiliary door from being opened first.
- The universal flange cutout provides mounting for disconnect operators by use of the appropriate operator adaptor kit.
- A provision for mounting fluorescent lighting is provided.
- A bonding stud is provided in the door and a grounding stud is provided in the enclosure for each door.
- A literature pocket is provided.

Type 12 Mild Steel Two Door Floormount Disconnect Enclosure *2UD F Series* Hinge Door with Handle (Flange w/ multi-vendor cutout)

Note

- Disconnect switches, circuit breakers and operators are not provided with the enclosure, and must be ordered separately from the manufacturer.

Finish

- Cover and enclosure are phosphatized and finished in recoatable smooth ANSI 61 gray powder coating.
- Inner panel is finished in white powder coating.

Accessories

- Flange Disconnect Operator Adaptor Kits...*See Page 318*
- Additional Inner Panels...*See Page 297*
- Door Stop Kit...*See Page 320*
- Window Kits...*See Page 308*
- Climate Control...*See Page 244*
- Lighting...*See Page 312*
- General Accessories...*See Page 281*

Part No.	Enclosure			Inner Panel	
	H	W	D	H	W
2UD605012FFTC	60.13	50.00	12.13	56.00	44.00
2UD605018FFTC	60.13	50.00	18.13	56.00	44.00
2UD606212FFTC	60.13	62.00	12.13	56.00	56.00
2UD606218FFTC	60.13	62.00	18.13	56.00	56.00
2UD726212FFTC	72.13	62.00	12.13	68.00	56.00
2UD726218FFTC	72.13	62.00	18.13	68.00	56.00
2UD727412FFTC	72.13	74.00	12.13	68.00	68.00
2UD727418FFTC	72.13	74.00	18.13	68.00	68.00
2UD727424FFTC	72.13	74.00	24.13	68.00	68.00

Type 12 Mild Steel Two Door Floormount Disconnect Enclosure *2UD CPF Series* Hinge Door with Handle (Center Post Flange w/ multi-vendor cutout)

Disconnect Enclosures

Floormount Enclosures



Quick Link: hammfg.com/2UDCPF

Application

- Designed to accept the following disconnect switches and circuit breakers:
 - ABB Controls flange mounted variable depth operating mechanisms for disconnect switches and circuit breakers.
 - Allen Bradley 1494V and 1494U variable depth flange mounted disconnect switches and circuit breaker mechanisms.
 - C-H Westinghouse Type C361 disconnect switches and operator mechanisms, and type C371 circuit breakers and circuit breaker operating mechanisms. Flex Shaft™ handle operators for circuit breakers.
 - General Electric Type STDA flange handles and variable depth operating mechanisms for disconnect switches and circuit breakers. Also Spectra-Flex™ cable operators for circuit breakers.
 - Siemens I-T-E Max-Flex™ flange mounted variable depth operating handles for disconnect switches and circuit breakers.
 - Square D disconnect switches and circuit breakers used with Class 9422 flange mounted variable depth operating mechanisms or cable mechanisms. These enclosures will not receive Class 9422 bracket mounted disconnect devices, Class 9422TG1, or TG2 devices.
- Refer to the Universal Disconnect Selection Guide.

Standards

- UL 508A Type 12
- CSA Type 12
- Complies with
 - NEMA Type 12
 - IEC 60529, IP54
- Appropriate components are required to maintain these standards.

All universal series enclosures require one adaptor kit (ordered separately) to adapt the type of disconnect and mechanism to be used.

Operator Adaptor Kits

- Each brand and type requires a different adaptor kit.
- Each kit contains an adaptor plate and master door interlocking mechanism.
- Fully detailed, illustrated instructions are included.

Construction

- Formed from 10 gauge steel with smooth, continuously welded seams.
- Body stiffeners are included in the larger enclosures for extra rigidity.
- 15" floor stands are welded to the enclosure.
- Flange trough Collar (FTC) around door opening excludes liquids and contaminants.
- Heavy duty lifting eyes are anchored into reinforced top corners.
- Removable doors are secured with heavy duty lift-off hinges.
- Formed 10 gauge steel inner panels are provided on collar studs.
- Panel supports are provided.
- Center post is removable, providing easy panel installation.
- Heavy duty three point latching mechanism with heavy duty roller ends is provided for ease of door closing.
- Oil resistant gaskets are permanently secured.
- The left door is the master door.
- Master door handle complete with screw defeater and padlock hasp.
- Slave door handle complete with padlock hasp.
- A mechanical interlock activated by the master door prevents the auxiliary door from being opened first.
- The universal flange cutout provides mounting for disconnect operators by use of the appropriate operator adaptor kit.
- A provision for mounting fluorescent lighting is provided.
- A bonding stud is provided in the door and a grounding stud is provided in the enclosure for each door.
- A literature pocket is provided.

Type 12 Mild Steel Two Door Floormount Disconnect Enclosure *2UD CP F Series*

Hinge Door with Handle (Center Post Flange w/ multi-vendor cutout)

Note

- Disconnect switches, circuit breakers and operators are not provided with the enclosure, and must be ordered separately from the manufacturer.

Finish

- Cover and enclosure are phosphatized and finished in recoatable smooth ANSI 61 gray powder coating.
- Inner panel is finished in white powder coating.

Accessories

- Flange Disconnect Operator Adaptor Kits...*See Page 318*
- Additional Inner Panels...*See Page 297*
- Door Stop Kit...*See Page 320*
- Window Kits...*See Page 308*
- Climate Control...*See Page 244*
- Lighting...*See Page 312*
- General Accessories...*See Page 281*

Part No.	Enclosure			Inner Panel	
	H	W	D	H	W
2UDCP604912FFTC	60.13	48.88	12.13	56.00	44.00
2UDCP606112FFTC	60.13	60.88	12.13	56.00	56.00
2UDCP726112FFTC	72.13	60.88	12.13	68.00	56.00
2UDCP727312FFTC	72.13	72.88	12.13	68.00	68.00
2UDCP727318FFTC	72.13	72.88	18.13	68.00	68.00

Type 12 Mild Steel Multi-Door Freestanding Disconnect Enclosure *UHD Series* Hinge Door with Handle (Flange w/ multi-vendor cutout)

Disconnect Enclosures

Freestanding Enclosures



Quick Link: hammfg.com/UHD

Application

- Designed to accept the following disconnect switches and circuit breakers:
 - ABB Controls flange mounted variable depth operating mechanisms for disconnect switches and circuit breakers.
 - Allen Bradley 1494V and 1494U variable depth flange mounted disconnect switches and circuit breaker mechanisms.
 - C-H Westinghouse type C361 disconnect switches and operator mechanism. Cutler Hammer Type C371 circuit breaker operating mechanisms. Flex-Shaft™ handle operators for circuit breakers.
 - General Electric type STDA flange handles and variable depth operating mechanisms for disconnect switches and circuit breakers. Also Spectra-Flex™ cable operators for circuit breakers.
 - Siemens I-T-E Max-Flex™ flange mounted variable depth operating handles for disconnect switches and circuit breakers.
 - Square D disconnect switches and circuit breakers used with Class 9422 flange mounted variable depth operating mechanisms or cable mechanisms. These enclosures will not receive Class 9422 bracket mounted disconnect devices or class 9422TG1 or TG2 devices.
- Refer to the Universal Heavy Duty Disconnect Selection Guide.

Standards

- UL 508A Type 12
- CSA Type 12
- Complies with
 - NEMA Type 12
 - IEC 60529, IP54
- Appropriate components are required to maintain these standards.

All universal series enclosures require one adaptor kit (ordered separately) to adapt the type of disconnect and mechanism to be used.

Operator Adaptor Kits

- Each brand and type requires a different adaptor kit.
- Each kit contains an adaptor plate and master door interlocking mechanism.
- Fully detailed, illustrated instructions are included.

Construction

- Formed from 10 gauge steel with smooth, continuously welded seams.
- Body stiffeners are provided in the larger enclosures for extra rigidity.
- Flange trough collar (FTC) around door opening excludes liquids and contaminants.
- Heavy duty lifting eyes are anchored into reinforced top corners.
- Removable doors are secured with heavy duty lift off hinges.
- Formed 10 gauge steel inner panels are provided on collar studs.
- Panel supports are provided.
- Center post is removable, providing easy panel installation.
- Heavy duty three point latching mechanism with heavy duty roller ends is provided for ease of door closing.
- Oil resistant gaskets are permanently secured.
- The right-hand door on all enclosures is the master door.
- Master door handle complete with screw defeater and padlock hasp.
- Slave door handle complete with padlock hasp.
- A mechanical interlock activated by the master door prevents the auxiliary door from being opened first.
- The universal flange cutout provides mounting for disconnect operators by use of the appropriate operator adaptor kit.
- A provision for mounting fluorescent lighting is provided.
- A bonding stud is provided in the door and a grounding stud is provided in the enclosure for each door.
- A literature pocket is provided for the inside of the door.

Type 12 Mild Steel Multi-Door Freestanding Disconnect Enclosure *UHD Series*

Hinge Door with Handle (Flange w/ multi-vendor cutout)

Note:

- Disconnect switches, circuit breakers and operators are not provided with the enclosure, and must be ordered separately from the manufacturer.

Finish

- Cover and enclosure are phosphatized and finished in recoatable smooth ANSI 61 gray powder coating.
- Inner panel is finished in white powder coating.

Accessories

- Flange Disconnect Operator Adaptor Kits...*See Page 318*
- Door Stop Kit...*See Page 320*
- Floor Stand Kit...*See Page 320*
- Window Kits...*See Page 308*
- Climate Control...*See Page 244*
- Lighting...*See Page 312*
- General Accessories...*See Page 281*

Single Door

Part No.	Enclosure			Inner Panel	
	H	W	D	H	W
1UHD722918FTC	72.13	28.75	18.13	60.00	21.75
1UHD723518FTC	72.13	34.75	18.13	60.00	27.75
1UHD724118FTC	72.13	40.75	18.13	60.00	33.75
1UHD844118FTC	84.13	40.75	18.13	72.00	33.75
1UHD844124FTC	84.13	40.75	24.13	72.00	33.75
1UHD904118FTC	90.13	40.75	18.13	78.00	33.75
1UHD904120FTC	90.13	40.75	20.13	78.00	33.75
1UHD904124FTC	90.13	40.75	24.13	78.00	33.75

2 Door

Part No.	Enclosure			Inner Panel	
	H	W	D	H	W
2UHD725518FTC	72.13	55.00	18.13	60.00	48.00
2UHD726718FTC	72.13	67.00	18.13	60.00	60.00
2UHD727918FTC	72.13	79.00	18.13	60.00	72.00
2UHD727924FTC	72.13	79.00	24.13	60.00	72.00
2UHD847918FTC	84.13	79.00	18.13	72.00	72.00
2UHD847924FTC	84.13	79.00	24.13	72.00	72.00
2UHD907918FTC	90.13	79.00	18.13	78.00	72.00
2UHD907920FTC	90.13	79.00	20.13	78.00	72.00
2UHD907924FTC	90.13	79.00	24.13	78.00	72.00

3 Door

Part No.	Enclosure			Inner Panels		
	H	W	D	H	W1	W2
3UHD7210118FTC	72.13	100.25	18.13	60.00	27.75	60.00
3UHD7211918FTC	72.13	118.25	18.13	60.00	33.75	72.00
3UHD8411918FTC	84.13	118.25	18.13	72.00	33.75	72.00
3UHD8411924FTC	84.13	118.25	24.13	72.00	33.75	72.00
3UHD9011924FTC	90.13	118.25	24.13	78.00	33.75	72.00

4 Door

Part No.	Enclosure			Inner Panels		
	H	W	D	H	W1	W2
4UHD8415718FTC	84.13	156.50	18.13	72.00	72.00	72.00
4UHD9015718FTC	90.13	156.50	18.13	78.00	72.00	72.00

Type 12 Mild Steel Modular Freestanding Disconnect Enclosure *UHD M Series* Hinge Door with Handle (Flange w/ multi-vendor cutout)



Quick Link: hammfg.com/UHDM

Application

- Designed to bolt together in any number of units for maximum flexibility and ease of transportation. The UHDM system consists of a Master enclosure to house the flange mounted disconnect switch and interlocking Slave enclosures which may be added or removed as required. Master enclosure units will accept the following disconnect switches and circuit breakers:
 - ABB Controls flange mounted variable depth operating mechanism for disconnect switches and circuit breakers.
 - Allen Bradley 1494V and 1494U variable depth flange mounted disconnect switches and circuit breaker mechanisms.
 - C-H Westinghouse Type C361 disconnect switches and operator mechanism. Cutler Hammer Type C371 circuit breaker operating mechanisms. Flex Shaft™ handle operators for circuit breakers.
 - General Electric Type STDA flange handles and variable depth operating mechanisms for disconnect switches and circuit breakers. Also Spectra-Flex™ cable operators for circuit breakers.
 - I-T-E Max-Flex™ flange mounted variable depth operating handles for disconnect switches and circuit breakers.
 - Square D disconnect switches and circuit breakers used with Class 9422 flange mounted variable depth operating mechanisms or cable mechanisms. These enclosures will not receive Class 9422 bracket mounted disconnect devices or Class 9422TG1 or TG2 devices.
- Refer to the Universal Heavy Duty Disconnect Modular Selection Guide.

Inner Panel Included

Construction

- Formed from 10 gauge steel with smooth continuously welded seams.
- Body stiffeners are provided in the larger enclosures for extra rigidity.
- Heavy duty lifting eyes are anchored into reinforced top corners.
- Removable doors are secured with heavy duty lift off hinges.
- Flange trough collar (FTC) around door excludes liquids and contaminants.
- Formed 10 gauge steel inner panels are provided on collar studs.
- Panel supports are provided.
- Center post is removable, providing easy panel installation.
- Heavy duty three point latching door mechanism.
- Side openings are reinforced to provide structural strength, smooth edges and preset gasket compression.
- Oil resistant gaskets on doors and side openings are permanently secured. No gasket kit is provided.
- Master door handle complete with screw defeater and padlock hasp.
- Slave door handle complete with padlock hasp.
- A mechanical interlock activated by the master door prevents the auxiliary door from being opened first.
- The universal flange cutout provides mounting for disconnect operators by use of the appropriate operator adaptor kit.
- A bonding stud is provided in the door and a grounding stud is provided in the enclosure for each door.
- A literature pocket is provided.
- Formed End Plates and Flat End Plates
 - Formed from 12 gauge steel.
 - Used to enclose the open end(s) of one or more modular enclosures.
 - Two types are available. No separate gasket kit is required.
- Flat Barrier Plate
 - Formed from 14 gauge steel.
 - May be used to provide a barrier between modular enclosures. They are supplied complete with gasket.
- Panel Bridge Kit
 - Formed from 10 gauge steel.
 - May be used to join back panels together between modular enclosures to provide a continuous panel surface.

Disconnect Enclosures Freestanding Enclosures

Type 12 Mild Steel Modular Freestanding Disconnect Enclosure *UHD M Series*

Hinge Door with Handle (Flange w/ multi-vendor cutout)

Standards

- UL 508A Type 12
- CSA Type 12
- Complies with
 - NEMA Type 12
 - IEC 60529, IP54
- Appropriate components are required to maintain these standards.

All universal series enclosures require one adaptor kit (ordered separately) to adapt the type of disconnect and mechanism to be used.

Operator Adaptor Kits

- Each brand and type requires a different adaptor kit.
- Each kit contains an adaptor plate and master door interlocking mechanism
- Fully detailed, illustrated instructions are included.

Note:

- Disconnect switches, circuit breakers and operators are not provided with the enclosure, and must be ordered separately from the manufacturer.

Finish

- Cover and enclosure are phosphatized and finished in recoatable smooth ANSI 61 gray powder coating.
- Inner panel is finished in white powder coating.

Accessories

- Flange Disconnect Operator Adaptor Kits...*See Page 318*
- Door Stop Kit...*See Page 320*
- Floor Stand Kit...*See Page 320*
- Window Kits...*See Page 308*
- Climate Control...*See Page 244*
- Lighting...*See Page 312*
- General Accessories...*See Page 281*

Master Enclosures

Left Side Open Part No.	Enclosure			Inner Panel		Door
	H	W	D	H	W	Type
UHDM724118MFTC	72.13	40.75	18.13	60.00	33.75	Single
UHDM844118MFTC	84.13	40.75	18.13	72.00	33.75	Single
UHDM844124MFTC	84.13	40.75	24.13	72.00	33.75	Single
UHDM727918MFTC	72.13	79.00	18.13	60.00	72.00	Double
UHDM847918MFTC	84.13	79.00	18.13	72.00	72.00	Double
UHDM847924MFTC	84.13	79.00	24.13	72.00	72.00	Double

Slave Enclosures

Both Sides Open Part No.	Enclosure			Inner Panel		Door
	H	W	D	H	W	Type
UHDM724118SFCT	72.13	40.25	18.13	60.00	33.75	Single
UHDM844118SFCT	84.13	40.25	18.13	72.00	33.75	Single
UHDM844124SFCT	84.13	40.25	24.13	72.00	33.75	Single
UHDM727818SFCT	72.13	78.50	18.13	60.00	72.00	Double
UHDM847818SFCT	84.13	78.50	18.13	72.00	72.00	Double
UHDM847824SFCT	84.13	78.50	24.13	72.00	72.00	Double

Accessories

Part No.	H	W	Description
UHDM7218ECA	71.86	17.87	Formed end plate with mounting hardware
UHDM8418ECA	83.87	17.87	Formed end plate with mounting hardware
UHDM8424ECA	83.87	23.87	Formed end plate with mounting hardware
UHDM7218EPA	71.87	17.87	Flat end plate with mounting hardware
UHDM8418EPA	83.87	17.87	Flat end plate with mounting hardware
UHDM8424EPA	83.87	23.87	Flat end plate with mounting hardware
UHDM7218BPA	71.87	17.87	Flat barrier plate with mounting hardware
UHDM8418BPA	83.87	17.87	Flat barrier plate with mounting hardware
UHDM8424BPA	83.87	23.87	Flat barrier plate with mounting hardware
UHDMFTC72BK	60.00	-	Inner panel bridge kit
UHDMFTC84BK	72.00	-	Inner panel bridge kit

Type 4X Stainless Steel Multi-Door Freestanding Disconnect Enclosure *UHD SS Series*

Hinge Door with Handle (Flange w/ multi-vendor cutout)



Quick Link: hammfg.com/UHDSS

Application

- Designed to accept the following disconnect switches and circuit breakers:
 - ABB Controls flange mounted variable depth operating mechanisms for disconnect switches and circuit breakers.
 - Allen Bradley 1494V and 1494U variable depth flange mounted disconnect switches and circuit breaker mechanisms. NOT COMPATIBLE WITH 1494V-R1, R2, W2 operating handles nor with Allen Bradley 1494F flange mounted disconnect switches and 1494D flange mounted operators for circuit breakers.
 - C-H Westinghouse type C361 disconnect switches and operator mechanism. Cutler Hammer Type C371 circuit breaker operating mechanisms. Flex-Shaft™ handle operators for circuit breakers.
 - General Electric type STDA flange handles and variable depth operating mechanisms for disconnect switches and circuit breakers. Also Spectra-Flex™ cable operators for circuit breakers.
 - Siemens I-T-E Max-Flex™ flange mounted variable depth operating handles for disconnect switches and circuit breakers.
 - Square D disconnect switches and circuit breakers used with Class 9422 flange mounted variable depth operating mechanisms or cable mechanisms. These enclosures will not receive Class 9422 bracket mounted disconnect devices or class 9422TG1 or TG2 devices. NOT COMPATIBLE WITH Class 9422 bracket mounted devices nor Class 9422TG1/TG2 devices.
- Refer to the Universal Heavy Duty Disconnect Selection Guide.

Standards

- UL 508A Type 3R, 12, 4, 4X
- CSA Type 3R, 12, 4, 4X
- Complies with
 - NEMA Type 3R, 12, 13, 4, 4X
 - IEC 60529, IP66
- Appropriate components are required to maintain these standards.

Construction

- Formed from 12 gauge 304 stainless steel with smooth, continuously welded seams.
- Body stiffeners are provided in the larger enclosures for extra rigidity.
- Flange trough collar (FTC) around door opening excludes liquids and contaminants.
- Heavy duty lifting eyes are anchored into reinforced top corners.
- Removable doors are secured with heavy duty lift off hinges.
- Formed 10 gauge steel inner panels are provided on collar studs.
- Panel supports are provided.
- Center post is removable, providing easy panel installation.
- Heavy duty three point latching mechanism with heavy duty roller ends is provided for ease of door closing.
- Oil resistant gaskets are permanently secured.
- The right-hand door on all enclosures is the master door.
- Master door handle complete with screw defeater and padlock hasp.
- Slave door handle complete with padlock hasp.
- A mechanical interlock activated by the master door prevents the auxiliary door from being opened first.
- The pre-installed flange cutout provides mounting for disconnect operators (verify compatibility in advance) - interlock hardware included with enclosure.
- A provision for mounting fluorescent lighting is provided.
- A bonding stud is provided in the door and a grounding stud is provided in the enclosure for each door.
- A literature pocket is provided for the inside of the door.

Disconnect Enclosures

Freestanding Enclosures

Type 4X Stainless Steel Multi-Door Freestanding Disconnect Enclosure *UHD SS Series*

Hinge Door with Handle (Flange w/ multi-vendor cutout)

Note:

- Disconnect switches, circuit breakers and operators are not provided with the enclosure, and must be ordered separately from the manufacturer.

Finish

- Door and enclosure are natural stainless steel with a smooth, brushed finish..
- Inner panel(s) is finished in white powder coating.

Accessories

- Door Stop Kit...See Page **320**
- Window Kits...See Page **308**
- Climate Control...See Page **244**
- Lighting...See Page **312**
- General Accessories...See Page **281**

Part No.	Enclosure			Inner Panel	
	H	W	D	H	W
1UHD722918N4SS	72.13	28.75	18.13	60.00	21.75
1UHD723518N4SS	72.13	34.75	18.13	60.00	27.75
1UHD724118N4SS	72.13	40.75	18.13	60.00	33.75
1UHD844118N4SS	84.13	40.75	18.13	72.00	33.75
1UHD844124N4SS	84.13	40.75	24.13	72.00	33.75
1UHD904118N4SS	90.13	40.75	18.13	78.00	33.75
1UHD904120N4SS	90.13	40.75	20.13	78.00	33.75
1UHD904124N4SS	90.13	40.75	24.13	78.00	33.75

Part No.	Enclosure			Inner Panel	
	H	W	D	H	W
2UHD725518N4SS	72.13	55.00	18.13	60.00	48.00
2UHD726718N4SS	72.13	67.00	18.13	60.00	60.00
2UHD727918N4SS	72.13	79.00	18.13	60.00	72.00
2UHD727924N4SS	72.13	79.00	24.13	60.00	72.00
2UHD847918N4SS	84.13	79.00	18.13	72.00	72.00
2UHD847924N4SS	84.13	79.00	24.13	72.00	72.00
2UHD907918N4SS	90.13	79.00	18.13	78.00	72.00
2UHD907920N4SS	90.13	79.00	20.13	78.00	72.00
2UHD907924N4SS	90.13	79.00	24.13	78.00	72.00

Part No.	Enclosure			Inner Panels		
	H	W	D	H	W1	W2
3UHD7210118N4SS	72.13	100.25	18.13	60.00	27.75	60.00
3UHD7211918N4SS	72.13	118.25	18.13	60.00	33.75	72.00
3UHD8411918N4SS	84.13	118.25	18.13	72.00	33.75	72.00
3UHD8411924N4SS	84.13	118.25	24.13	72.00	33.75	72.00
3UHD9011924N4SS	90.13	118.25	24.13	78.00	33.75	72.00

Part No.	Enclosure			Inner Panels		
	H	W	D	H	W1	W2
4UHD8415718N4SS	84.13	156.50	18.13	72.00	72.00	72.00
4UHD9015718N4SS	90.13	156.50	18.13	78.00	72.00	72.00

Disconnect Enclosures Freestanding Enclosures

Type 4X Sloped Top Stainless Steel Freestanding Disconnect *2STFSD Series*

Disconnect Enclosures

Freestanding Enclosures



Quick Link: hammfg.com/2STFSD

Application

- Designed to enclose electrical and/or electronic equipment and protect against harsh, industrial environments for larger applications.
- 20° sloped top prevents water from resting on top of enclosure.
- Designed to accept the following disconnect switches and circuit breakers:
 - ABB Controls flange mounted variable depth operating mechanisms for disconnect switches and circuit breakers.
 - Allen Bradley 1494V and 1494U variable depth flange mounted disconnect switches and circuit breaker mechanisms.
 - C-H Westinghouse type C361 disconnect switches and operator mechanism. Cutler Hammer Type C371 circuit breaker operating mechanisms. Flex-Shaft™ handle operators for circuit breakers.
 - General Electric type STDA flange handles and variable depth operating mechanisms for disconnect switches and circuit breakers. Also Spectra-Flex™ cable operators for circuit breakers.
 - Siemens I-T-E Max-Flex™ flange mounted variable depth operating handles for disconnect switches and circuit breakers.
 - Square D disconnect switches and circuit breakers used with Class 9422 flange mounted variable depth operating mechanisms or cable mechanisms. These enclosures will not receive Class 9422 bracket mounted disconnect devices or class 9422TG1 or TG2 devices. NOT COMPATIBLE WITH Class 9422 bracket mounted devices nor Class 9422TG1/TG2 devices.
- Refer to the Universal Heavy Duty Disconnect Selection Guide.

Standards

- UL 508A Type 3R, 12, 4, 4X
- CSA Type 3R, 12, 4, 4X
- Complies with
 - NEMA Type 3R, 12, 13, 4, 4X
 - IEC 60529, IP66
- Appropriate components are required to maintain these standards.

Construction

- Formed from 12 gauge 304 or 316L stainless steel with smooth, continuously welded seams.
- Flange trough collar (FTC) around door opening excludes liquids and contaminants.
- Heavy duty lifting eyes are anchored into reinforced top corners.
- Removable doors are secured with bullet style, heavy duty, lift off hinges.
- Formed 10 gauge steel inner panel is provided on collar studs.
- Panel supports are provided.
- Center post is removable, providing easy panel installation.
- Heavy duty three point latching mechanism with heavy duty roller ends is provided for ease of door closing.
- Seamless poured-in place gasket.
- The right-hand door on all enclosures is the master door.
- Master door handle complete with screwdriver defeater and padlock hasp.
- Slave door handle complete with padlock hasp.
- A mechanical interlock activated by the master door prevents the auxiliary door from being opened first.
- The pre-installed flange cutout provides mounting for disconnect operators (verify compatibility in advance) - interlock hardware included with enclosure.
- A provision for mounting fluorescent lighting is provided.
- A bonding stud is provided in the door and a grounding stud is provided in the enclosure for each door.
- A literature pocket is provided for the inside of the door.

Type 4X Sloped Top Stainless Steel Freestanding Disconnect *2STFSD Series*

Note:

- Disconnect switches, circuit breakers and operators are not provided with the enclosure, and must be ordered separately from the manufacturer.

Finish

- Door and enclosure are natural stainless steel with a smooth, brushed finish..
- Inner panel is finished in white powder coating.

Accessories

- Wash Down Floor Stand Kit...*See Page 323*
- Door Stop Kit...*See Page 320*
- Barrier Kits for Type 4 Floormount...*See Page 327*
- Window Kits...*See Page 308*
- Climate Control...*See Page 244*
- Lighting...*See Page 312*
- General Accessories...*See Page 281*

304 S.S.		316 S.S.		Enclosure				Panel	
Part Number	Part Number	H1	H2	W	D	H	W		
2STFSD747512SS	2STFSD747512S16	74.13	79.49	75.13	12.13	68.00	68.00		
2STFSD747518SS	2STFSD747518S16	74.13	79.49	75.13	18.13	68.00	68.00		
2STFSD747524SS	2STFSD747524S16	74.13	79.49	75.13	24.13	68.00	68.00		

Modular Freestanding Enclosures *HME Series*

Modular Freestanding Enclosures



Type 12 Mild Steel Modular Freestanding Enclosure
HME Series
Hinge Door w/ Various Handle Options 128



Type 12 Mild Steel Two Door Modular Freestanding
Enclosure
HME Series
Hinge Door w/ Various Handle Options 130



Type 12 Mild Steel Modular Freestanding Disconnect
Enclosure
HME Series
Hinge Door w/ Various Handle Options (Flange w/ multi-
vendor cutout)..... 132

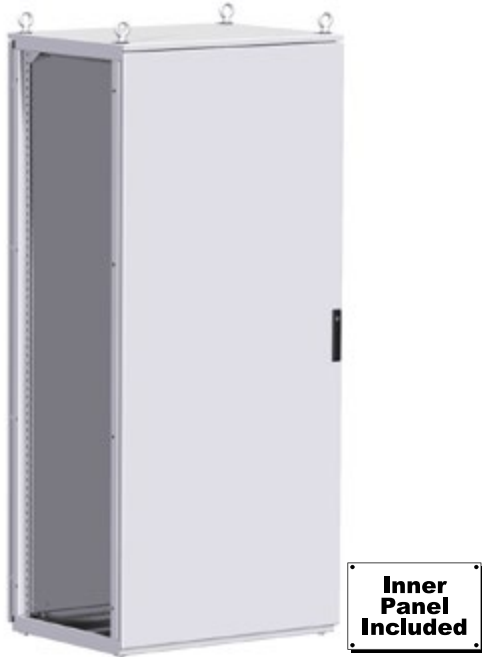


Type 12 Modular Freestanding Disconnect Enclosures
HME Series
Two Door 134

HME Accessories 136

Type 12 Mild Steel Modular Freestanding Enclosure *HME Series*

Hinge Door w/ Various Handle Options



Quick Link: hammfg.com/HME

Application

- The HME product line provides users with a rugged housing for industrial control and operator interface in industrial environments.
- Modular design permits joining of units together for large scale and mixed use applications.
- Frame's 25mm hole pattern provides extensive component and accessory mounting flexibility.
- A broad range of industry standard sizes are offered.

Standards

- UL 508A Type 12
- CSA Type 12
- Complies with
 - NEMA Type 12
 - IEC 60529 IP54

Configuration

- Frame
- Removable solid top panel
- Lifting eyebolts (4)
- Removable bottom panel w/gland plates
- Solid front door with door frame
- Removable rear cover panel
- Inner mounting panel

Construction

- Formed 14 gauge steel.
- Fully welded frame with 25mm hole pattern for superior mounting flexibility.
- Foam gasket on all openings provides a dust-tight seal.
- Reinforced eyebolts are provided for easy enclosure lifting.
- Frames can be joined together with an optional joining kit.
- Doors can be easily interchanged, removed and/or reversed.
- Door opening 135°.
- Optional formed 14 gauge steel side panels are sold separately (in pairs).
- Bonding and grounding studs are provided for all doors and panels.

Finish

- Phosphatized and finished in RAL 7035 light gray powder coating.
- Inner panel is unpainted galvanized 12 gauge steel.

Accessories

- Side Mounting Inner Panels...*See Page 142*
- Side Mounting Barrier Panels...*See Page 142*
- Additional Inner Panels...*See Page 141*
- Bridge Panel...*See Page 143*
- Grid System...*See Page 140*
- 19" Rails and Width Adaptor Kit...*See Page 145*
- HME Handles...*See Page 147*
- Frame Joining Kit...*See Page 137*
- Side Panels...*See Page 137*
- Plinth...*See Page 136*
- Climate Control...*See Page 244*
- Lighting...*See Page 312*
- Additional HME Accessories...*See Page 136*
- General Accessories...*See Page 281*

Type 12 Mild Steel Modular Freestanding Enclosure *HME Series*

Hinge Door w/ Various Handle Options

Part No.	Enclosure			Inner Panel	
	H	W	D	H	W
HME1465	1400	600	500	1296	499
HME1466	1400	600	600	1296	499
HME1468	1400	600	800	1296	499
HME1485	1400	800	500	1296	699
HME1486	1400	800	600	1296	699
HME1488	1400	800	800	1296	699
HME1665	1600	600	500	1496	499
HME1666	1600	600	600	1496	499
HME1668	1600	600	800	1496	499
HME1685	1600	800	500	1496	699
HME1686	1600	800	600	1496	699
HME1688	1600	800	800	1496	699
HME1864	1800	600	400	1696	499
HME1865	1800	600	500	1696	499
HME1866	1800	600	600	1696	499
HME1868	1800	600	800	1696	499
HME1884	1800	800	400	1696	699
HME1885	1800	800	500	1696	699
HME1886	1800	800	600	1696	699
HME1888	1800	800	800	1696	699
HME18104	1800	1000	400	1696	899
HME18105	1800	1000	500	1696	899
HME18106	1800	1000	600	1696	899
HME18108	1800	1000	800	1696	899

Note: Table dimensions in mm.

Part No.	Overall Dimensions			Inner Panel	
	H	W	D	H	W
HME2064	2000	600	400	1896	499
HME2065	2000	600	500	1896	499
HME2066	2000	600	600	1896	499
HME2068	2000	600	800	1896	499
HME2084	2000	800	400	1896	699
HME2085	2000	800	500	1896	699
HME2086	2000	800	600	1896	699
HME2088	2000	800	800	1896	699
HME20105	2000	1000	500	1896	899
HME20106	2000	1000	600	1896	899
HME20108	2000	1000	800	1896	899
HME2265	2200	600	500	2096	499
HME2266	2200	600	600	2096	499
HME2285	2200	800	500	2096	699
HME2286	2200	800	600	2096	699
HME2288	2200	800	800	2096	699
HME22105	2200	1000	500	2096	899
HME22106	2200	1000	600	2096	899

Note: Table dimensions in mm.

Type 12 Mild Steel Two Door Modular Freestanding Enclosure *HME Series*

Hinge Door w/ Various Handle Options

Modular Freestanding Enclosures

HME Series



Quick Link: hammfg.com/HMET

Application

- The HMET 2 door product line provides users with a rugged housing for industrial control and operator interface in industrial environments.
- Modular design permits joining of units together for large scale and mixed use applications.
- Frame's 25mm hole pattern provides extensive component and accessory mounting flexibility.
- A broad range of industry standard sizes are offered.

Standards

- UL 508A Type 12
- CSA Type 12
- Complies with
 - NEMA Type 12
 - IEC 60529 IP54

Configuration

- Frame
- Removable solid top panel
- Lifting eyebolts (4)
- Removable bottom panel w/gland plates
- Two overlapping solid front doors with door frames
- Removable rear cover panels (1 or 2 depending on width) with welded rear center post on units 1000 mm and wider.
- Full width inner mounting panel

Construction

- Formed 14 gauge steel.
- Fully welded frame with 25mm hole pattern for superior mounting flexibility.
- Foam gasket on all openings provides a dust-tight seal.
- Reinforced eyebolts are provided for easy enclosure lifting.
- Frames can be joined together with an optional joining kit.
- Doors can be easily interchanged, removed and/or reversed.
- Door opening 135°.
- Optional formed 14 gauge steel side panels are sold separately (in pairs).
- Bonding and grounding studs are provided for all doors and panels.

Finish

- Phosphatized and finished in RAL 7035 light gray powder coating.
- Inner panel is unpainted galvanized 12 gauge steel.

Accessories

- Side Mounting Inner Panels...*See Page 142*
- Side Mounting Barrier Panels...*See Page 142*
- Additional Inner Panels...*See Page 141*
- Bridge Panel...*See Page 143*
- Grid System...*See Page 140*
- HME Handles...*See Page 147*
- Frame Joining Kit...*See Page 137*
- Side Panels...*See Page 137*
- Plinth...*See Page 136*
- Climate Control...*See Page 244*
- Lighting...*See Page 312*
- Additional HME Accessories...*See Page 136*
- General Accessories...*See Page 281*

Type 12 Mild Steel Two Door Modular Freestanding Enclosure *HME Series*

Hinge Door w/ Various Handle Options

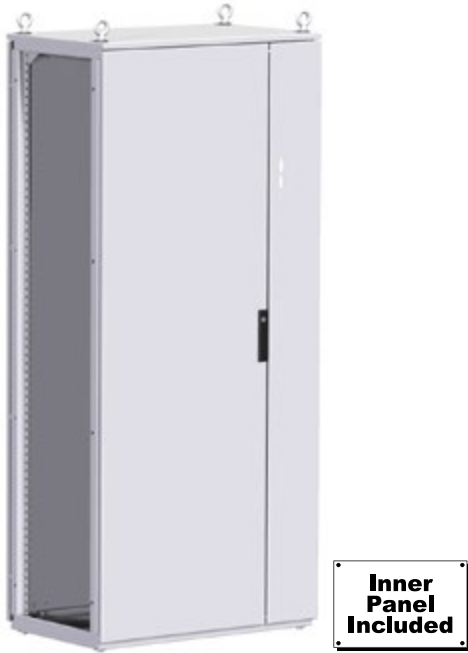
Part No.	Enclosure			Inner Panel	
	H	W	D	H	W
HMET14125	1400	1200	500	1296	1099
HMET14126	1400	1200	600	1296	1099
HMET14128	1400	1200	800	1296	1099
HMET16125	1600	1200	500	1496	1099
HMET16126	1600	1200	600	1496	1099
HMET16128	1600	1200	800	1496	1099
HMET1886	1800	800	600	1696	699
HMET1885	1800	800	500	1696	699
HMET18104	1800	1000	400	1696	899
HMET18124	1800	1200	400	1696	1099
HMET18125	1800	1200	500	1696	1099
HMET18126	1800	1200	600	1696	1099
HMET18128	1800	1200	800	1696	1099
HMET18164	1800	1600	400	1696	1499
HMET18165	1800	1600	500	1696	1499
HMET18166	1800	1600	600	1696	1499
HMET18168	1800	1600	800	1696	1499
HMET18184	1800	1800	400	1696	1699
HMET18185	1800	1800	500	1696	1699
HMET18186	1800	1800	600	1696	1699
HMET18188	1800	1800	800	1696	1699
HMET20105	2000	1000	500	1896	899
HMET20106	2000	1000	600	1896	899
HMET20124	2000	1200	400	1896	1099
HMET20125	2000	1200	500	1896	1099
HMET20126	2000	1200	600	1896	1099
HMET20128	2000	1200	800	1896	1099
HMET20165	2000	1600	500	1896	1499
HMET20166	2000	1600	600	1896	1499
HMET20168	2000	1600	800	1896	1499
HMET20185	2000	1800	500	1896	1699
HMET20186	2000	1800	600	1896	1699
HMET20188	2000	1800	800	1896	1699
HMET22106	2200	1000	600	2096	899
HMET22125	2200	1200	500	2096	1099
HMET22126	2200	1200	600	2096	1099

Note: Table dimensions in mm.

Modular Freestanding Enclosures HME Series

Type 12 Mild Steel Modular Freestanding Disconnect Enclosure *HME Series*

Hinge Door w/ Various Handle Options (Flange w/ multi-vendor cutout)



Quick Link: hammfg.com/HFMD

Application

- Provides users with a rugged housing for flange mount disconnect and circuit breaker requirements.
- Modular design permits joining of units together for large scale and mixed use applications.
- Frame's 25mm hole pattern provides extensive component and accessory mounting flexibility.
- A broad range of industry standard sizes are offered.
- HME/HMET Series enclosures can be used as slave units to HFMD/HFMDT Disconnect Series.
- The flange mount disconnect units accommodate today's most popular disconnect hardware.
- ABB Controls: Disconnect Switches up to (and including) 200 amp, also operators for ABB circuit breakers up to 800 amp.
- Allen Bradley: 1494V variable depth flange mounted disconnect up to and including 200 amp and operators for C-H Westinghouse circuit breakers up to 400 amp.
- C-H Westinghouse: C361 flange mounted disconnect switches up to and including 200 amp and C371 circuit breakers up to 600 amp, also Flex Shaft handle mechanisms for circuit breakers.
- General Electric: Type STDA flange mounted variable depth flange operators for disconnect switches up to and including 200 amp and circuit breakers up to 600 amp or Spectra Flex™ cable operators for circuit breakers.
- ITE Siemens Max-Flex: flange mounted variable depth cable operators for disconnect switches up to 200 amp and circuit breakers up to 600 amp.

- Square D: class 9422 variable depth flange mounted operating mechanisms for disconnect switches up to and including 200 amp or cable mechanism for 30, 60 or 100 amp, also circuit breakers with variable depth operators or cable mechanism up to 400 amp.

Standards

- UL 508A Type 12
- CSA Type 12
- Complies with
 - NEMA Type 12
 - IEC 60529 IP54
- Appropriate components are required to maintain these standards.

Standard Configuration

- Frame
- Removable solid top panel
- Lifting eyebolts (4)
- Removable bottom panel w/gland plates
- Solid front door(s) with door frame(s).
- Removable rear cover panel(s) – two door version with removable center post
- Inner mounting panel
- Disconnect to door handle activation hardware
- Hinged flange door

Construction

- Formed 14 gauge steel.
- Fully welded frame with 25mm hole pattern for superior mounting flexibility.
- Foam gasket on all openings provides a dust-tight seal.
- Reinforced eyebolts are provided for easy enclosure lifting.
- Frames can be joined together with an optional joining kit.
- Doors can be easily interchanged, removed and/or reversed.
- Door opening 135°.
- Optional formed 14 gauge steel side panels are sold separately (in pairs).
- Bonding and grounding studs are provided for all doors and panels.

Finish

- Phosphatized and finished in RAL 7035 light gray powder coating.
- Inner panel is unpainted galvanized 12 gauge steel.

Type 12 Mild Steel Modular Freestanding Disconnect Enclosure *HME Series*

Hinge Door w/ Various Handle Options (Flange w/ multi-vendor cutout)

Accessories

- Interlock Kit...*See Page 143*
- Side Mounting Barrier Panels...*See Page 142*
- Side Mounting Inner Panels...*See Page 142*
- Grid System...*See Page 140*
- Side Panels...*See Page 137*
- Frame Joining Kit...*See Page 137*
- Plinth...*See Page 136*
- HME Handles...*See Page 147*
- Climate Control...*See Page 244*
- Lighting...*See Page 312*
- Additional HME Accessories...*See Page 136*
- General Accessories...*See Page 281*

Part No.	Enclosure			Inner Panel	
	H	W	D	H	W
HFMD1485	1400	800	500	1296	699
HFMD14105	1400	1000	500	1296	899
HFMD1685	1600	800	500	1496	699
HFMD1686	1600	800	600	1496	699
HFMD1884	1800	800	400	1696	699
HFMD1885	1800	800	500	1696	699
HFMD18105	1800	1000	500	1696	899
HFMD2085	2000	800	500	1896	699
HFMD2086	2000	800	600	1896	699
HFMD2088	2000	800	800	1896	699
HFMD20105	2000	1000	500	1896	899
HFMD20106	2000	1000	600	1896	899
HFMD2286	2200	800	600	2096	699
HFMD22105	2200	1000	500	2096	899

Note: Table dimensions in mm.

Type 12 Modular Freestanding Disconnect Enclosures *HME Series*

Two Door

Modular Freestanding Enclosures HME Series



Quick Link: hammfg.com/HFMDT

Application

- Provides users with a rugged housing for flange mount disconnect and circuit breaker requirements.
- Modular design permits joining of units together for large scale and mixed use applications.
- Frame's 25mm hole pattern provides extensive component and accessory mounting flexibility.
- A broad range of industry standard sizes are offered.
- HME/HMET Series enclosures can be used as slave units to HFMD/HFMDT Disconnect Series.
- The flange mount disconnect units accommodate today's most popular disconnect hardware.
- ABB Controls: Disconnect Switches up to (and including) 200 amp, also operators for ABB circuit breakers up to 800 amp.
- Allen Bradley: 1494V variable depth flange mounted disconnect up to and including 200 amp and operators for C-H Westinghouse circuit breakers up to 400 amp.
- C-H Westinghouse: C361 flange mounted disconnect switches up to and including 200 amp and C371 circuit breakers up to 600 amp, also Flex Shaft handle mechanisms for circuit breakers.
- General Electric: Type STDA flange mounted variable depth flange operators for disconnect switches up to and including 200 amp and circuit breakers up to 600 amp or Spectra Flex™ cable operators for circuit breakers.
- ITE Siemens Max-Flex: flange mounted variable depth cable operators for disconnect switches up to 200 amp and circuit breakers up to 600 amp.

- Square D: class 9422 variable depth flange mounted operating mechanisms for disconnect switches up to and including 200 amp or cable mechanism for 30, 60 or 100 amp, also circuit breakers with variable depth operators or cable mechanism up to 400 amp.

Standards

- UL 508A Type 12
- CSA Type 12
- Complies with
 - NEMA Type 12
 - IEC 60529 IP54
- Appropriate components are required to maintain these standards.

Standard Configuration

- Frame
- Removable solid top panel
- Lifting eyebolts (4)
- Removable bottom panel w/gland plates
- Solid front door(s) with door frame(s).
- Removable rear cover panel(s) – two door version with removable center post
- Inner mounting panel
- Disconnect to door handle activation hardware
- Hinged flange door

Construction

- Formed 14 gauge steel.
- Fully welded frame with 25mm hole pattern for superior mounting flexibility.
- Foam gasket on all openings provides a dust-tight seal.
- Reinforced eyebolts are provided for easy enclosure lifting.
- Frames can be joined together with an optional joining kit.
- Doors can be easily interchanged, removed and/or reversed.
- Door opening 135°.
- Optional formed 14 gauge steel side panels are sold separately (in pairs).
- Bonding and grounding studs are provided for all doors and panels.

Type 12 Modular Freestanding Disconnect Enclosures *HME Series*

Two Door

Finish

- Phosphatized and finished in RAL 7035 light gray powder coating.
- Inner panel is unpainted galvanized 12 gauge steel.

Accessories

- Interlock Kit...*See Page 143*
- Side Mounting Inner Panels...*See Page 142*
- Side Mounting Barrier Panels...*See Page 142*
- Bridge Panel...*See Page 143*
- Grid System...*See Page 140*
- Frame Joining Kit...*See Page 137*
- Side Panels...*See Page 137*
- Plinth...*See Page 136*
- HME Handles...*See Page 147*
- Climate Control...*See Page 244*
- Lighting...*See Page 312*
- Additional HME Accessories...*See Page 136*
- General Accessories...*See Page 281*

Part No.	Enclosure			Inner Panel	
	H	W	D	H	W
HFMDT18164	1800	1600	400	1696	1499
HFMDT18165	1800	1600	500	1696	1499
HFMDT18184	1800	1800	400	1696	1699
HFMDT18185	1800	1800	500	1696	1699
HFMDT18186	1800	1800	600	1696	1699
HFMDT20165	2000	1600	500	1896	1499
HFMDT20166	2000	1600	600	1996	1499
HFMDT20168	2000	1600	800	1896	1499
HFMDT20185	2000	1800	500	1896	1699

Note: Table dimensions in mm.



Plinth

- Plinths install under enclosure for additional cable entry space and/or access.
- Adds 4" (100mm) or 8" (200mm) to overall enclosure height.
- HPLW contains 4 corner supports along with corresponding front and rear panels.
- HPLD plinth side panels ordered separately to close ends.
- HPB solid plinth includes 2 gland plates.
- All panels are easily removable for quick access.
- Compatible with leveling feet.
- Comes complete with all mounting hardware.
- Finished in black.

Corners & Front/Back Panels

Part Number	Use w/ HME	
	Height	Width
HPLW14	100	400
HPLW16	100	600
HPLW18	100	800
HPLW110	100	1000
HPLW112	100	1200
HPLW116	100	1600
HPLW118	100	1800
HPLW24	200	400
HPLW26	200	600
HPLW28	200	800
HPLW210	200	1000
HPLW212	200	1200
HPLW216	200	1600
HPLW218	200	1800

Note: Table dimensions in mm.

Side Panels (pair)

Part Number	Use w/ HME	
	Height	Depth
HPLD14	100	400
HPLD15	100	500
HPLD16	100	600
HPLD18	100	800
HPLD24	200	400
HPLD25	200	500
HPLD26	200	600
HPLD28	200	800

Note: Table dimensions in mm.

Solid Base

Part Number	Height (mm)	Use w/ HME	
		Width (mm)	Depth (mm)
HPB165	100	600	500
HPB185	100	800	500
HPB1105	100	1000	500
HPB1125	100	1200	500
HPB1165	100	1600	500

Note: Table dimensions in mm.



Leveling Feet

- Maintains UL/CSA Type 12 approvals.
- Screws fasten into frame. Optional tamper resistant screws available.
- Bond studs provided for grounding.
- Finished in RAL 7035 light gray.
- Sold in quantities of four.

Part No.	HLF4
----------	------

Side Panels



- Maintains UL/CSA Type 12 approvals.
- Screws fasten into frame. Optional tamper resistant screws available
- Bond studs provided for grounding.
- Finished in RAL 7035 light gray.
- Sold in quantities of two.

Part Number	For Use with HME	
	Height	Depth
HSP145	1400	500
HSP146	1400	600
HSP148	1400	800
HSP165	1600	500
HSP166	1600	600
HSP168	1600	800
HSP184	1800	400
HSP185	1800	500
HSP186	1800	600
HSP188	1800	800
HSP204	2000	400
HSP205	2000	500
HSP206	2000	600
HSP208	2000	800
HSP225	2200	500
HSP226	2200	600
HSP228	2200	800

Note: Table dimensions in mm.

Tamper Resistant Screws



- Replacement screws for side and rear panels.
- Provide added safety and security.
- Package consists of 8 security hex screws and 1 security hex key.
- Please see the chart below to determine how many kits to order.

Part No.	ISPTPKIT
----------	----------

Component	# Screws Req'd	# Kits to Order
Side Panels (Pair)	16	2
Rear Panel (600, 700, 800, 1000 mm)	8	1
Rear Panel (1200, 1600 mm)	16	2

Frame Joining Kit



- Heavy duty bolting kit connects side by side units at 8 points.
- Maintains UL/CSA Type 12 approvals.

Part No.	HMEJK
----------	-------

Window Door

- For use with HME Single Door Series only
- Provides maximum viewing area of enclosure equipment
- Maintains NEMA/UL/CSA Type 12 rating
- UL - 94-VO clear polycarbonate window
- Removable and reversible for left or right hand opening
- Complete with double bit insert latching mechanism
- Door opening 135°
- Note: check compatibility with HFMD and HFMDT



Part No.	Viewing Area			For use with Cabinet	
	H	W	E	H	W
HMEDW146	1219	434	67	1400	600
HMEDW148	1219	635	67	1400	800
HMEDW166	1419	434	67	1600	600
HMEDW168	1419	635	67	1600	800
HMEDW186	1617	434	67	1800	600
HMEDW188	1617	635	67	1800	800
HMEDW206	1819	434	67	2000	600
HMEDW208	1819	635	67	2000	800
HMEDW226	1819	434	266	2200	600
HMEDW228	1819	635	266	2200	800

Note: Table dimensions in mm.

Top Mount Cable Module and Side Panels

- Provides a space for cable organization along top of HME cabinet(s).
- Mounts directly to top of HME cabinet (with top panel removed) with matching WxD dimensions.
- Top Module consists of frame (similar to HME overall frame) with removable front and rear panels.
- Side panels (pair) sold separately. (Note: Standard top panel from HME cabinet fits on matching WxD version of Top Module).
- Finished in RAL7035 light gray.



Part Number	Description	H	W	D
HTCM46	Top Cable Module	200	400	600
HTCM66	Top Cable Module	200	600	600
HTCM86	Top Cable Module	200	800	600
HTCM106	Top Cable Module	200	1000	600
HTCM126	Top Cable Module	200	1200	600
HTCM346	Top Cable Module	300	400	600
HTCM366	Top Cable Module	300	600	600
HTCM386	Top Cable Module	300	800	600
HTCM3106	Top Cable Module	300	1000	600
HTCM3126	Top Cable Module	300	1200	600
HTCMS6	Side Panels for 200mm Top Cabling Module	200	-	600
HTCMS36	Side Panels for 300mm Top Cable Module	300	-	600

Note: Table dimensions in mm.

Rack and Cabinet Stem Casters

Up to 2,000 lbs (363 kg) Weight Capacity



Features

- Features ball bearing swivel and hard composition wheels
- Stud is 1.5" (38.1 mm) long and 1/2"-13 thread
- All four (4) casters are lockable
- Includes mounting hardware
- TAA compliant for GSA Schedule purchases.
- RoHS and REACH Compliant.
- Manufactured in North America.

Compatibility

- DC4R | 4-Post Open Frame Rack
- DNRRHDKB | 2-Post Open Frame Rack
- DNRRHDW | 2-Post Open Frame Rack
- RB-2PA | 2-Post Open Frame Rack
- RB-2P | 2-Post Open Frame Rack
- HDME | NEMA 12 Equipment Cabinet
- HME | NEMA 12 Modular Enclosure

Care should be taken in moving rack as it may be unstable depending on equipment loading pattern. Ensure weight distribution is safe for mobile use.

Part No.	Strength	Wheel Diameter	Overall Height Added to Cabinet	Caster Set Weight Capacity	Quantity Included In Set	Brakes Included
RRLDCASTER	Lite Duty	3.00	3.75	800 lbs (363 kg)	4	Yes
RRHDCASTER	Heavy Duty	3.00	3.88	2,000 lbs (907 kg)	4	Yes

Lifting Angles



- Used to replace lifting eyes for ganged enclosures
- Overall height 3.1" with eyelet hole 1.375"
- Kit includes 2 plated angles and hardware
- Weight capacity 2000 lbs per pair

Part No.	HMELA2
----------	--------

Grid Strap Spacer



- Constructed of 14 gauge steel galvanized
- Designed as a spacer for 75mm grid straps when mounted front to back on bottom flanges
- Can be used for terminal straps and grounding bars
- Sold in pairs

Part No.	HGS3
----------	------

Grid System

- Constructed of 14 gauge steel, galvanized.
- There are 4 styles: (1) 25mm wide Depth Grid Strap, (2) 75mm wide Depth Grid Strap, (3) 75mm wide Vertical Grid Strap and (4) 25mm wide Door Support Rail
- Grid Straps feature pattern of alternating square holes (for cage nut) and round holes (for M5 or #12 screw) at standard 25mm centers.
- Door Support Rails have round holes only.
- Depth Grid Straps and Door Support Rails have mounting flanges at either end.
- Vertical Grid Straps mount flush (butt end bracket included) to other straps for a smooth continuous mounting surface. (To achieve full height vertical strap, 2 x 75mm Depth Grid Straps required for top and bottom).
- Sold in pairs.

Grid Mounting Hardware

- A variety of hardware options are available for the Grid System.
- Square holes accommodate cage nuts listed.
- Round holes accommodate M5 and #12 thread forming screws listed.

Square hole Hardware

Part No.	Description
RCNIT	Cage nut insertion tool
CAGKIT1032-25	25 of 10-32 screws and cage nuts
CAGKIT1032-100	100 of 10-32 screws and cage nuts
CAGKIT1224-100	100 of 12-24 screws and cage nuts
CAGKITM6-100	100 of M6 screws and cage nuts
SCREWM6-100	100 of M6 screws with washer
1421CNBF100	100 of M6 front load cage nut
1421HPM625	25 of Hex/Phillips M6 screws x 12mm

Vertical Grid Straps

Part No.	Description	Length	Fits Full Height HME
HGV35	75mm wide with flush mount bracket	350	n/a
HGV55	75mm wide with flush mount bracket	550	n/a
HGV75	75mm wide with flush mount bracket	750	n/a
HGV95	75mm wide with flush mount bracket	950	n/a
HGV115	75mm wide with flush mount bracket	1150	1400*
HGV135	75mm wide with flush mount bracket	1350	1600*
HGV155	75mm wide with flush mount bracket	1550	1800*
HGV175	75mm wide with flush mount bracket	1750	2000*
HGV195	75mm wide with flush mount bracket	1950	2200*

* Requires 75mm wide Depth Grid Straps mounted in cabinet above and below

Note: Table dimensions in mm.

Door Support Rails

Part No.	Description	Length	Fits HME Door Width
HGDSR4	25mm wide with mounting flange	248	400
HGDSR5	25mm wide with mounting flange	348	500
HGDSR6	25mm wide with mounting flange	448	600
HGDSR8	25mm wide with mounting flange	648	800
HGDSR9	25mm wide with mounting flange	748	900*
HGDSR10	25mm wide with mounting flange	848	1000

* 900mm width refers to doors on 1800mm wide cabinet

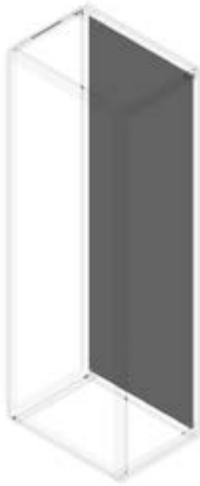
Note: Table dimensions in mm.

Depth Grid Straps

Part No.	Description	Length	Fits Full Depth HME
HGD14	25mm wide with mounting flange	222	400
HGD15	25mm wide with mounting flange	323	500
HGD16	25mm wide with mounting flange	423	600
HGD18	25mm wide with mounting flange	623	800
HGD34	75mm wide with mounting flange	223	400
HGD35	75mm wide with mounting flange	323	500
HGD36	75mm wide with mounting flange	423	600
HGD38	75mm wide with mounting flange	623	800

Note: Table dimensions in mm.

Inner Panels and Supports



Base Inner Panel

- Formed 12 gauge galvanized steel unpainted
- Included with standard configuration
- Sold separately as secondary or replacement panel
- Can be used as swing panel (where indicated * - sold separately)
- Inner panel attachment hardware sold separately as required

Inner Panel Side Support

- Use to provide extra support for larger loads
- Attached to either frame support in rear position or optional grid straps
- Sold in qty pkg of 6, complete with 24 - #12 pan head screws

Inner Panel Rear Support

- Rear support to prevent flexing of inner panel when heavily loaded
- Material: Mild steel channel
- Finish: RAL7035 Light Grey
- Sold in qty pfg of 2 complete with mounting hardware

Part No.	Overall		For use with Cabinet		Inner Panel
	Height	Width	Height	Width	Rear Support
HMEP146*	1296	499	1400	600	-
HMEP148*	1296	699	1400	800	HMEPRS800
HMEP1410	1296	899	1400	1000	HMEPRS1000
HMEP1412	1296	1099	1400	1200	HMEPRS1200
HMEP166*	1296	499	1600	600	-
HMEP168*	1496	699	1600	800	HMEPRS800
HMEP1612	1496	1099	1600	1200	HMEPRS1200
HMEP186*	1496	499	1800	600	-
HMEP188*	1696	699	1800	800	HMEPRS800
HMEP1810	1696	899	1800	1000	HMEPRS1000
HMEP1812	1696	1099	1800	1200	HMEPRS1200
HMEP1816	1696	1499	1800	1600	HMEPRS1600
HMEP1818	1660	1699	1800	1800	HMEPRS1800
HMEP204	1660	299	2000	400	-
HMEP206*	1896	499	2000	600	-
HMEP208*	1896	699	2000	800	HMEPRS800
HMEP2010	1896	899	2000	1000	HMEPRS1000
HMEP2012	1896	1099	2000	1200	HMEPRS1200
HMEP2016	1896	1499	2000	1600	HMEPRS1600
HMEP2018	1896	1699	2000	1800	HMEPRS1800
HMEP224	1896	299	2200	400	-
HMEP226*	1896	499	2200	600	-
HMEP228*	2096	699	2200	800	HMEPRS800
HMEP2210	2096	899	2200	1000	HMEPRS1000
HMEP2212	2096	1099	2200	1200	HMEPRS1200

* Can be used as swing panel (Sold Separately)

Note: Table dimensions in mm.

Additional Hardware

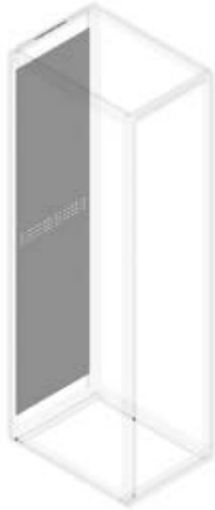
Part No.	HMEIPMTG
----------	----------

Inner Panel Side Support

Part No.	HIPSPK
----------	--------

Side Mounting Inner Panels

- Sold individually
- Formed 14 gauge galvanized steel unpainted
- Mounts directly to frame
- Can be used in combination with depth grid straps (top and bottom)
- Allows installation of 19" mounting rails including center support
- Reduced height may allow cable pass through on ganged cabinets

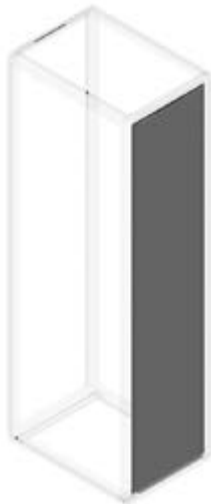


Part No.	Overall		For use with Cabinet	
	H	W	H	D
HSIP145	1143	375	1400	500
HSIP146	1143	475	1400	600
HSIP148	1143	675	1400	800
HSIP165	1343	375	1600	500
HSIP166	1343	475	1600	600
HSIP168	1343	675	1600	800
HSIP184	1543	275	1800	400
HSIP185	1543	375	1800	500
HSIP186	1543	475	1800	600
HSIP188	1573	675	1800	800
HSIP204	1743	275	2000	400
HSIP205	1743	375	2000	500
HSIP206	1743	475	2000	600
HSIP208	1743	675	2000	800
HSIP225	1943	375	2200	500
HSIP226	1943	475	2200	600
HSIP228	1943	675	2200	800

Note: Table dimensions in mm.

Side Mounting Barrier Panels

- Sold individually
- Formed 14 gauge galvanized steel unpainted
- Mounts directly to frame
- Full height and depth panel creating a full barrier between cells
- No provision for depth grid straps or 19" mounting rails
- Can be used as a mounting surface



Part No.	Overall		For use with Cabinet	
	Height	Width	Height	Depth
HSBP145	1293	375	1400	500
HSBP146	1293	475	1400	600
HSBP148	1293	675	1400	800
HSBP165	1493	375	1600	500
HSBP166	1493	475	1600	600
HSBP168	1493	675	1600	800
HSBP184	1693	275	1800	400
HSBP185	1693	375	1800	500
HSBP186	1693	475	1800	600
HSBP188	1693	675	1800	800
HSBP204	1893	275	2000	400
HSBP205	1893	375	2000	500
HSBP206	1893	475	2000	600
HSBP208	1893	675	2000	800
HSBP225	2093	375	2200	500
HSBP226	2093	475	2200	600
HSBP228	2093	675	2200	800

Note: Table dimensions in mm.

Technical references and CAD downloads available at www.hammondmfg.com

All dimensions in inches unless specified otherwise

Quality Products. Service Excellence.

© Hammond Manufacturing Canada: 519.822.2960 or 905.456.3770 USA: 716.630.7090 Data Subject to change without notice

Distributed by Cross Automation | +1 (262) 252-1600 | sales@grossautomation.com

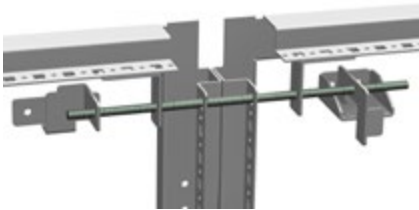


Bridge Panel

- Mounts between inner panels of joined enclosures.
- Formed 12 gauge galvanized steel unpainted.
- 3.75" wide.

Part Number	For Use with Cabinet Height
HMEPB14	1400
HMEPB16	1600
HMEPB18	1800
HMEPB20	2000
HMEPB22	2200

Note: Table dimensions in mm.



Interlock Kit

- Master Interlock Kit- required for master door in system
- Slave Interlock Kit- required for each slave door to be interlocked with master door
- Rod connector kit- required for connecting to slave kit
- Clear zinc plated
- All kits maintain UL/CSA Type 12 approvals

Part Number	Description
HMIK	Master Interlock Kit
HSIK	Slave Interlock Kit
HSCRD	Rod Connector kit 600-1200 wide

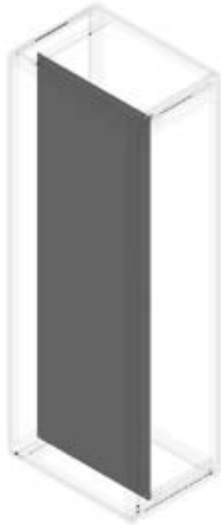
Ordering Guide Common assemblies	Required
Single Door (Master Right or left) to Single door Cabinet	Master Interlock Kit
Single Door (Master right) to Double door Cabinet	Master Interlock Kit
Single Door (Master left) to Double door cabinet	Master Interlock Kit + Rod Connector Kit
Double Door (Master Right or Left) to Double door Cabinet	Master Interlock Kit + Rod Connector Kit
Any Additional cabinets to any of the above configurations	Slave + Rod Connector kit



Shelf

- Mounts to internal door channel using 1 or 2 Door Support Rails (sold separately) or directly to a door/side panel using supplied hardware.
- Can be easily positioned at various heights.
- Opens to 90° or 75° angle and quickly folds down for compact storage.
- 16" wide x 15" deep
- Finished in RAL 7035 light gray.

Part No.	DMS1615
----------	---------



Swing Panel

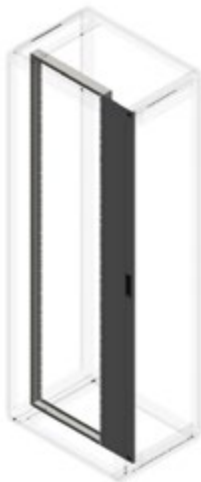
- Formed 12 gauge galvanized steel unpainted
- Requires Swing Kit sold separately

Accessories

- Swing Kits...See Page 144

Part No.	Overall		For use with Cabinet	
	Height	Width	Height	Width
HMEP146	1296	499	1400	600
HMEP148	1296	699	1400	800
HMEP166	1496	499	1600	600
HMEP168	1496	699	1600	800
HMEP186	1696	499	1800	600
HMEP188	1696	699	1800	800
HMEP206	1896	499	2000	600
HMEP208	1896	699	2000	800
HMEP226	2096	499	2200	600
HMEP228	2096	699	2200	800

Note: Table dimensions in mm.



Mounting Rack Rail Swing Frame

For use with the HME Series

- Frame provides 19" rack mounting centers
- Rails punched for square holed cage nuts
- Finished in RAL7035
- Requires Swing Kit sold separately
- TAA compliant for GSA Schedule purchases.
- RoHS Compliant.
- Manufactured in North America.

Part No.	Overall Dimensions			Rack Units	For use with Cabinet	
	Height	Width	Depth		Height	Width
HMESWF166	1494	500	57	32U	1600	600
HMESWF168	1494	704	57	32U	1600	800
HMESWF186	1694	500	57	37U	1800	600
HMESWF188	1694	704	57	37U	1800	800
HMESWF206	1894	500	57	41U	2000	600
HMESWF208	1894	704	57	41U	2000	800
HMESWF226	2094	500	57	45U	2200	600
HMESWF228	2094	704	57	45U	2200	800

Note: Table dimensions in mm.

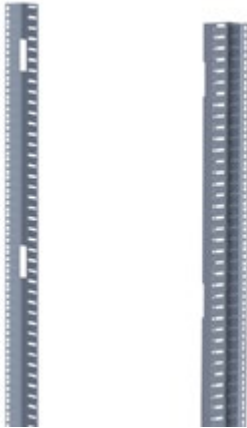
Swing Kits

- Used in conjunction with HMEP Swing Panels or HMESWF Swing Frames
- Provides adjustable location for panels and frame front to rear
- Comes complete with all mounting hardware
- Allows for maximum swing of 120° when positioned fully at front of cabinet.
- Finished in RAL7035



Part Number	Description
HMESWK4	Fits 400mm depth frame
HMESWK5	Fits 500mm depth frame
HMESWK6	Fits 600mm depth frame
HMESWK8	Fits 800mm depth frame

19" Rails and Width Adaptor Kit



- Provides 19" rack mounting centers in 600mm wide cabinets.
- Provides 19" rack mounting centers in 800mm wide cabinets when combined with Width Adapter Kits (Part # HAK19800).
- Can mount directly to frame in full front and full back positions or can have full front to back depth adjustment when used with Depth Grid Straps (sold separately).
- Rails are 12 gauge, include mounting hardware and are clear zinc plated (ZPL) finish.
- Square holed rails with full EIA centers.
- Sold in pairs.

Part Number	Style	Mounting Space		Use with H
		U	Inches	
HPR16SZPL	Panel (L shape)	33	57.75	1600
HPR18SZPL	Panel (L shape)	38	66.5	1800
HPR20SZPL	Panel (L shape)	42	73.5	2000
HPR22SZPL	Panel (L shape)	47	82.25	2200
HCR16SZPL	Combination	33	57.75	1600
HCR18SZPL	Combination	38	66.5	1800
HCR20SZPL	Combination	42	73.5	2000
HCR22SZPL	Combination	47	82.25	2200

Note: Table dimensions in mm.

Part Number	Description
HAK19800	Adapts 800mm wide cabinets to 19" rack mounting (includes 4 brackets)

Inserts

- Standard door hardware is an escutcheon plate with double bit insert.
- A variety of other inserts (and matching keys) available as alternatives.



Part No.	Type	Description
HMESQI7	Insert	For escutcheon - 7mm square
HMESQI8	Insert	For escutcheon - 8mm square
HMETRI6	Insert	For escutcheon - 6.5mm triangle
HMETRI7	Insert	For escutcheon - 7mm triangle
HMETRI8	Insert	For escutcheon - 8mm triangle
HMEDBPI	Insert	For escutcheon - double bit w/3mm pin
HMESLCPI	Insert	For escutcheon - slot - coin proof
HMENLINS	Insert	For HMEHLKL non-locking insert
2SQK7	Key	For escutcheon - 7mm square
HMESQK8	Key	For escutcheon - 8mm square
HMETR6	Key	For escutcheon - 6.5mm triangle
2TRK7	Key	For escutcheon - 7mm triangle
HMETR8	Key	For escutcheon - 8mm triangle
HMEDBPK	Key	For escutcheon - double bit w/3mm pin
PMKEY	Key	For escutcheon - standard double bit

Copper Bonding Busbar

Details

- The GRDBAR Series comes in vertical, horizontal mounting as well as horizontal rack mounting.
- The grounding bar is made from heavy-gauge copper that attaches to the inside of an enclosure, cabinet or open frame rack to provide consolidated equipment grounds.
- Ground points have been drilled and tapped to accommodate a #10-32 screw (included).
- Use with our Bonding Wire Kits to bond your equipment to the busbar.



HME Busbar Specifications:

- Constructed of Solid 0.125" Copper with 10-32 drilled and tapped holes and 1-0.312 main ground point.
- Mounts directly to grid straps or frame mounting surface.
- Busbar kit includes (quantities depend on product)
 - 1x Copper Busbar
 - 10-32 x 0.5 Screws
 - Flat Washers

Rack Mount Busbar Specifications:

- Available in both 19 and 23 inch rack mounting widths.
- Constructed of Solid 0.188" Copper Bar
- Includes ten (10) 10-32 drilled and tapped holes spaced at one (1) inch.
- Includes two (2) 0.31 ground lug holes.
- Mounts directly to EIA mounting rails.
- Busbar kit includes:
 - 1x Copper Busbar
 - 10x 10-32 x 0.375" Screws
 - 2x 10-32 x 0.625" Screws
 - 2x 12-24 x 0.625" Screws
 - 2x 0.25" Flat Washers
 - 12x #10 Flat Washers
 - 1x Instruction bulletin

Horizontal HME Copper Busbar

Part Number	Length	For Use With Enclosure Width	Number of Ground Points	Series Compatibility
GRDBAR600	400	600	Qty 9 - 10-32	HME
GRDBAR800	600	800	Qty 18 - 10-32	HME

Note: Table dimensions in mm.

Vertical HME Copper Busbar

Part Number	Height	For Enclosure Height	Number of Ground Points	Series Compatibility
GRDBARV14	1270	1400	Qty 8 - 10-32	HME
GRDBARV16	1473	1600	Qty 10 - 10-32	HME
GRDBARV18	1676	1800	Qty 12 - 10-32	HME
GRDBARV20	1880	2000	Qty 12 - 10-32	HME
GRDBARV22	2083	2200	Qty 14 - 10-32	HME

Note: Table dimensions in mm.

Horizontal Rack Mount Copper Busbar

Part No.	Overall Dimensions			Mounting Dimensions		Number of Ground Points	Ground Lug Holes
	Height	Width	Depth	Height	Width		
GRDBAR19	0.75	19.00	0.19	0.75	19.00	Qty 10 - 10-32	Qty 2 Å 0.31
GRDBAR23	0.75	23.00	0.19	0.75	23.00	Qty 10 - 10-32	Qty 2 Å 0.31

Technical references and CAD downloads available at www.hammondmfg.com

All dimensions in inches unless specified otherwise

Quality Products. Service Excellence.

© Hammond Manufacturing Canada: 519.822.2960 or 905.456.3770 USA: 716.630.7030 Data Subject to change without notice

Distributed by Cross Automation | +1 (262) 252-1600 | sales@grossautomation.com



HME Series Door Stop Kit

Features

- Designed specifically for the HME Series of modular enclosures
- Provides for door opening in fixed position as required.
- Prevents door swing that can occur in field maintenance situations.
- This door stop kit maintains NEMA 12 rating when installed correctly using the hardware and directions provided.

Part No.	HMEDSTOPK01
-----------------	-------------



HME Handles

- Standard escutcheon plate and insert can be replaced with several handle options.
- Die cast Swing Handles (black) open door with a rotating motion, are key-locking and available with padlocking feature.
- Heavy duty die cast Lift Handles (light gray) open door with an ergonomic lift up motion and are offered in key-locking and non-locking versions.

Part Number	Description
HMEHSKL	Diecast swing handle with key locking (black)
HMEHSKLPL	Diecast swing handle with key locking and padlockable (black)
HMEHLKL	Diecast lift handle with key locking (RAL7035 Gray)
HMEHLNL	Diecast lift handle non-locking (RAL7035 Gray)




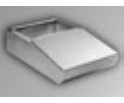









Light Kit Brackets

- Designed for mounting to HME frame assembly
- Brackets accept either Fluorescent or LED light kits
- 1.5" x 9"
- Sold in pairs
- Clear coat plated finish

Part No.	FLMTGBRK
-----------------	----------

Operator Interface Enclosures

Operator Interface Enclosures

	Type 4, 4X Mild Steel and Stainless Steel Base Units Series 2000 Modular Console System 150
	Type 4, 4X Mild Steel and Stainless Steel Desk Units Series 2000 Modular Console System 151
	Type 4, 4X Mild Steel and Stainless Steel Turret Units Series 2000 Modular Console System 152
	Type 4, 4X Mild Steel and Stainless Steel Console Series 2000 Modular Console System 153
	Type 4, 4X Mild Steel and Stainless Steel Terminal Series 2000 Modular Console System 154
	S2000 Console Accessories 155
	Type 12 Consolelets 1488 Series Hinged Cover 162
	Type 12 Console Cabinet 1471 Series Sloped Front, Continuous Hinged Cover 163
	Type 12 Modular Console Cabinet 1472 Series Sloped Front 164
	Eclipse Command System - NEMA 12 ECP Series Command Enclosure 165
	Tara Plus Suspension System TPSS Series NEMA 12, 13 166
	Heavy Duty 50/80 mm Suspension Systems HDSS Series NEMA 12, 13 169

	Type 12 Mild Steel Miniature Pushbutton Enclosures MPB Series 172
	Type 12 Mild Steel Pushbutton Enclosures 1435 Series 173
	Type 12 Mild Steel Pushbutton Enclosures 1437 Series Extra Deep 174
	Type 12 Mild Steel Pushbutton Enclosures 1489 Series Hinged Cover 175
	Type 12 Mild Steel Pushbutton Enclosures 1490 Series Sloped Console 176
	Type 4, 4X Stainless Steel Pushbutton Enclosures 1435SS Series 177
	Type 4, 4X Stainless Steel Pushbutton Enclosures 1437SS Series Extra Deep 178
	Hygienic Type 4X Stainless Steel Pushbutton Enclosure HYPB Series Sloped Sides with Silicone Gasket 179
	Type 4, 4X Polycarbonate Pushbutton Enclosure 1554 PB Series 180
	Type 4, 4X Polyester Pushbutton Enclosure PJPB Series 181
	Type 4, 4X Polyester Pushbutton Enclosure PJPBLC Series 182

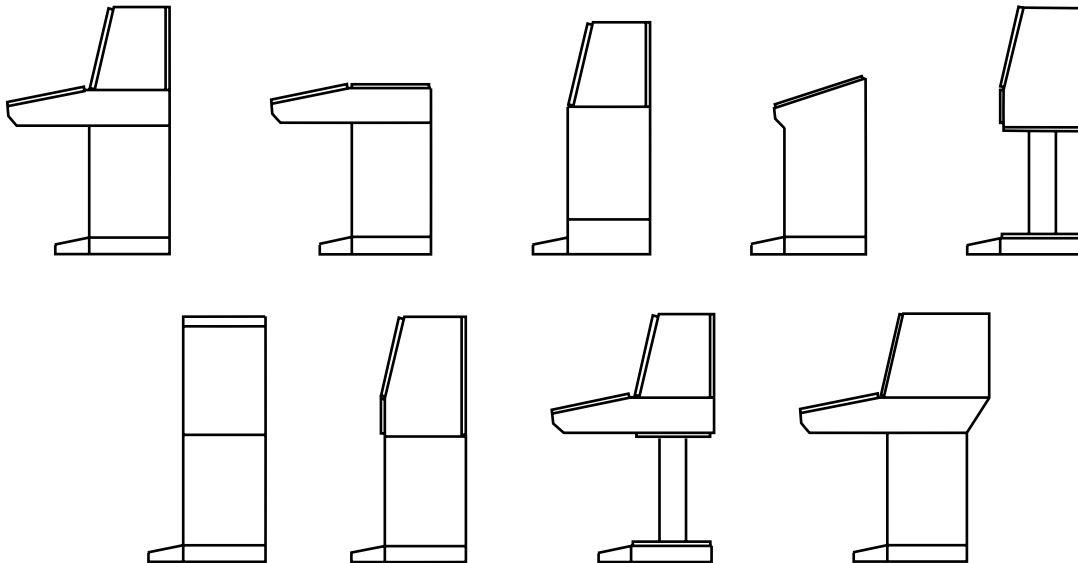
Technical references and CAD downloads available at www.hammondmfg.com

All dimensions in inches unless specified otherwise

Configurations

Series 2000 Modular Console System

The Series 2000 Modular Console System offers designers numerous assembly and configuration choices. This system allows units to be “stacked” in multiple combinations to provide equipment support and display functions exactly where you want them.



How to Configure your System

To configure your system you'll need to go through the following steps:

Step 1 - Protection requirements

- Type 4 RAL 7035 light gray = “2CL...” part numbers
- Type 4X stainless steel = “2CS...” part numbers

Step 2 - Width requirements (24, 36, 48, 60 inch)

Step 3 - Basic component requirements:

- Bottom - (a) base, (b) dual access base, or (c) pedestal
- Top - (a) standard desk and desk cover, (b) deep desk and desk cover, (c) standard turret, (d) deep turret, (e) standard desk/turret combination, (f) deep desk/turret combination, (g) another base and base cover, or (h) data terminal
- Stand Alone - Consolet

Step 4 - External Accessories (if applicable): plinth, footrest, window doors or depth extension

Step 5 - Internal Accessories (if applicable): electrical mounting panels, electronic mounting rails, swing frames, etc.

Type 4, 4X Mild Steel and Stainless Steel Base Units *Series 2000*

Modular Console System

Operator Interface Enclosures Modular Console System


 Quick Link: hammfg.com/S2CB

Application

- Flexible design provides panel mount or rack mount capabilities for a variety of applications.
- Generally used in combination with other modular console components (ie. another base, terminal, desk and/or turret).
- Available in either single or dual access format.
- Smooth lines and clean edges provide an attractive, contemporary appearance.

Standards

- UL 508A Type 3R, 4, 12 (Stainless Steel, add 4X)
- CSA Type 3R, 4, 12, 13 (Stainless Steel, add 4X)
- EIA RS-310-E
- Complies with
 - NEMA Type 3R, 4, 12 (Stainless Steel, add 4X)
 - IEC 60529, IP66

Construction

- Formed 14 gauge steel bodies with 14 gauge steel door.
- Also offered with formed 14 gauge 304 stainless steel bodies with 14 gauge 304 stainless steel door.
- Smooth, continuously welded seams.
- Body stiffeners are provided where required for increased strength and rigidity.
- Offered in 4 widths 24", 36", 48" and 60".
- Single access version has solid sides and back, solid door on front, open top, and closed bottom with removable access panel.
- Dual access version is same as above except has solid door on both front and back.
- 24" and 36" widths have single door on the front (and back for dual access) whereas 48" and 60" widths have two outside hinged doors on the front (and back for dual access).
- Doors can be hinged from either side on 24" and 36" units.

- Door profiles provide increased strength and are pre-punched to provide mounting options.
- Formed lip on enclosure excludes flowing liquids and contaminants.
- Slotted quarter turn oil-tight latches secure the door, with optional tamper resistant and locking latches available.
- Stainless steel models utilize stainless steel hardware.
- Oil resistant gaskets are permanently secured.
- Features several internal stud locations for mounting of various accessories.
- A bonding screw is provided on the door and a grounding stud is provided in the enclosure.

Finish

- Available in RAL 7035 light gray textured powder coating and natural stainless steel with a smooth, brushed finish.
- Base Covers are available in the same finishes.

Accessories

- S2000 Internal Components...*See Page 155*
- S2000 External Components...*See Page 159*
- Quarter Turn Assemblies...*See Page 287*
- Quarter Turn Inserts and Keys...*See Page 287*
- Padlock Adaptor...*See Page 286*
- Climate Control...*See Page 244*
- Lighting...*See Page 312*
- General Accessories...*See Page 281*

Single Access

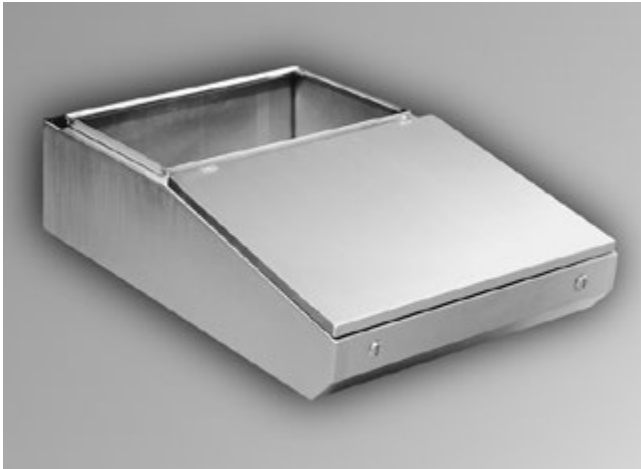
RAL 7035 Light Gray	Stainless Steel	Enclosure		
Part No.	Part No.	H	W	D
2CLB262418	2CSB262418	26.00	24.00	17.30
2CLB263618	2CSB263618	26.00	36.00	17.30
2CLB264818	2CSB264818	26.00	48.00	17.30
2CLB266018	2CSB266018	26.00	60.00	17.30

Dual Access

RAL 7035 Light Gray	Stainless Steel	Enclosure		
Part No.	Part No.	H	W	D
2CLBX262418	2CSBX262418	26.00	24.00	16.50
2CLBX263618	2CSBX263618	26.00	36.00	16.50
2CLBX264818	2CSBX264818	26.00	48.00	16.50
2CLBX266018	2CSBX266018	26.00	60.00	16.50

Type 4, 4X Mild Steel and Stainless Steel Desk Units *Series 2000*

Modular Console System



Quick Link: hammfg.com/S2CD

Application

- Generally used in combination with other modular console components (ie. base, pedestal, and/or turret).
- Provides an ideal sloped surface for mounting keyboards, switches, indicator lights, and/or dials.
- Open top permits mounting of a turret (usually for CRT applications) or an optional hinged desk cover (providing a flat, sturdy desk surface).
- Available in either Standard (will support Standard Turret only) or Deep (will support Deep Turret only) format.
- Smooth lines and clean edges provide an attractive, contemporary appearance.

Standards

- UL 508A Type 3R, 4, 12 (Stainless Steel, add 4X)
- CSA Type 3R, 4, 12, 13 (Stainless Steel, add 4X)
- EIA RS-310-D
- Complies with
 - NEMA Type 3R, 4, 12 (Stainless Steel, add 4X)
 - IEC 60529, IP66

Construction

- Formed 14 gauge steel bodies with 14 gauge steel lid.
- Also offered with formed 14 gauge 304 stainless steel bodies with 14 gauge 304 stainless steel lid.
- Smooth, continuously welded seams without knockouts or holes.
- Body stiffeners are provided where required for increased strength and rigidity.
- Offered in 4 widths 24", 36", 48" and 60".
- Solid sides and back, lid on sloped top area, open on flat top area, bottom is solid under lid area and open under flat top area.
- Deep Desk has a 6.7" deeper top opening than standard desk allowing for support of Deep Turret - see drawings as Deep Desk has different profile (angled back) from Standard Desk (flat back.)

- Lid profiles provide increased strength.
- Formed lip on enclosure excludes flowing liquids and contaminants.
- Slotted quarter turn oil-tight latches secure the lid, with optional tamper resistant and locking latches available.
- Stainless steel models utilize stainless steel hardware.
- Oil resistant gaskets are permanently secured.
- Features several internal stud locations for mounting Desk Inner Panel.
- A bonding screw is provided on the lid and a grounding stud is provided in the enclosure.

Finish

- Available in RAL 7035 light gray textured powder coating and natural stainless steel with a smooth, brushed finish.
- Desk covers available in same finishes.

Accessories

- Desk Cover...*See Page 161*
- Desk Inner Panel...*See Page 155*

Standard Depth Desk

RAL 7035 Light Gray Part No.	Stainless Steel Part No.	Enclosure		
		H	W	D
2CLD82436	2CSD82436	8.50	24.00	36.68
2CLD83636	2CSD83636	8.50	36.00	36.68
2CLD84836	2CSD84836	8.50	48.00	36.68
2CLD86036	2CSD86036	8.50	60.00	36.68

Extra Deep Desk

RAL 7035 Light Gray Part No.	Stainless Steel Part No.	Enclosure		
		H	W	D
2CLD82443	2CSD82443	8.50	24.00	43.38
2CLD83643	2CSD83643	8.50	36.00	43.38
2CLD84843	2CSD84843	8.50	48.00	43.38
2CLD86043	2CSD86043	8.50	60.00	43.38

Type 4, 4X Mild Steel and Stainless Steel Turret Units *Series 2000*

Modular Console System

Operator Interface Enclosures Modular Console System



Quick Link: hammfg.com/S2CT

Application

- Ideal as a housing for video screens.
- Flexible design provides panel mount or rack mount capabilities for a variety of applications.
- Generally used in combination with other modular console components (ie. base, pedestal, and/or desk).
- Available in either Standard (supported by Base, Pedestal, or Standard Desk) or Deep (supported by Deep Desk only) format.
- Smooth lines and clean edges provide an attractive, contemporary appearance.

Standards

- UL 508A Type 3R, 4, 12 (Stainless Steel, add 4X)
- CSA Type 3R, 4, 12, 13 (Stainless Steel, add 4X)
- EIA RS-310-E
- Complies with
 - NEMA Type 3R, 4, 12 (Stainless Steel, add 4X)
 - IEC 60529, IP66

Construction

- Formed 14 gauge steel bodies with 14 gauge steel doors. Also offered with formed 14 gauge 304 stainless steel bodies with 14 gauge 304 stainless steel doors.
- Smooth, continuously welded seams without knockouts or holes.
- Body stiffeners are provided where required for increased strength and rigidity.
- Offered in 4 widths 24", 36", 48" and 60".
- Features solid sides and top, solid door on front (opens down) and back (opens up), and open bottom.

- Front door features sliding rod mechanism, which allows a 102° opening when in the lowered position.
- Rear door features manual, 3 position adjustable door stop which provides convenient support while door in open position.
- Formed lip on enclosure excludes flowing liquids and contaminants.
- Slotted quarter turn oil-tight latches secure the door, with optional tamper resistant and locking latches available.
- Stainless steel models utilize stainless steel hardware.
- Oil resistant gaskets are permanently secured.
- Features several internal stud locations for mounting of various accessories.
- A bonding screw is provided on the door and a grounding stud is provided in the enclosure.

Finish

- Available in RAL 7035 light gray textured powder coating and natural stainless steel with a smooth, brushed finish.
- 24" Front Window Door available in same finishes.

Accessories

- S2000 Internal Components...*See Page 155*
- S2000 External Components...*See Page 159*
- Quarter Turn Assemblies...*See Page 287*
- Quarter Turn Inserts and Keys...*See Page 287*
- Padlock Adaptor...*See Page 286*
- Climate Control...*See Page 244*
- Lighting...*See Page 312*
- General Accessories...*See Page 281*

Standard Depth Turret

RAL 7035 Light Gray Part No.	Stainless Steel Part No.	H	W	D1	D2
2CLT202436	2CST202436	20.00	24.00	12.38	16.62
2CLT203636	2CST203636	20.00	36.00	12.38	16.62
2CLT204836	2CST204836	20.00	48.00	12.38	16.62
2CLT206036	2CST206036	20.00	60.00	12.38	16.62

Extra Deep Turret

RAL 7035 Light Gray Part No.	Stainless Steel Part No.	H	W	D1	D2
2CLT202443	2CST202443	20.00	24.00	16.62	23.31
2CLT203643	2CST203643	20.00	36.00	16.62	23.31
2CLT204843	2CST204843	20.00	48.00	16.62	23.31
2CLT206043	2CST206043	20.00	60.00	16.62	23.31

Type 4, 4X Mild Steel and Stainless Steel Consolet *Series 2000*

Modular Console System



Quick Link: hammfg.com/S2CC

Application

- Serves as an economical housing for operator interface applications.
- Provides an ideal sloped surface for mounting keyboards, switches, indicator lights, and/or dials.
- Provides panel mounting capabilities for a variety of applications. Generally used as a stand alone enclosure. Possible to put side by side with base on a single plinth (ie. 36" wide consolet with 24" base with terminal all together on a 60" plinth).
- Optional casters (require plinth) allow for a completely mobile, NEMA rated work station.
- Smooth lines and clean edges provide an attractive, contemporary appearance.

Standards

- UL 508A Type 3R, 4, 12 (Stainless Steel, add 4X)
- CSA Type 3R, 4, 12, 13 (Stainless Steel, add 4X)
- EIA RS-310-E
- Complies with
 - NEMA Type 3R, 4, 12 (Stainless Steel, add 4X)
 - IEC 60529, IP66

Construction

- Formed 14 gauge steel bodies with 14 gauge steel door and lid.
- Also offered with formed 14 gauge 304 stainless steel bodies with 14 gauge 304 stainless steel door and lid.
- Smooth, continuously welded seams without knockouts or holes.
- Body stiffeners are provided where required for increased strength and rigidity.
- Offered in 4 widths 24", 36", 48" and 60".
- Has solid sides and back, solid door on front, 3 point adjustable lid on sloped (20°) top, and closed bottom with removable access panel.
- 24" and 36" widths have single door on the front whereas 48" and 60" widths have two outside hinged doors on the front.
- Doors can be hinged from either side on 24" and 36" units.
- Door profiles provide increased strength and are pre-punched to provide mounting options.
- Formed lip on enclosure excludes flowing liquids and contaminants.
- Slotted quarter turn oil-tight latches secure the door and lid, with optional tamper resistant and locking latches available.
- Stainless steel models utilize stainless steel hardware.
- Oil resistant gaskets are permanently secured.
- Features internal stud locations for mounting optional inner panel.
- A bonding screw is provided on the door and a grounding stud is provided in the enclosure.

Finish

- Available in RAL 7035 light gray textured powder coating and natural stainless steel with a smooth, brushed finish.

Accessories

- Consolet Panel...*See Page 155*
- Quarter Turn Assemblies...*See Page 287*
- Quarter Turn Inserts and Keys...*See Page 287*
- Modular Plinth...*See Page 160*
- Footrest...*See Page 160*
- Climate Control...*See Page 244*
- Padlock Adaptor...*See Page 286*
- Lighting...*See Page 312*
- General Accessories...*See Page 281*

RAL 7035 Light Gray	Stainless Steel	Enclosure			
Part No.	Part No.	H1	H2	W	D
2CLC2024	2CSC2024	30.36	38.03	24.00	17.30
2CLC2036	2CSC2036	30.36	38.03	36.00	17.30
2CLC2048	2CSC2048	30.36	38.03	48.00	17.30
2CLC2060	2CSC2060	30.36	38.03	60.00	17.30

Type 4, 4X Mild Steel and Stainless Steel Terminal *Series 2000*

Modular Console System

Operator Interface Enclosures Modular Console System



Quick Link: hammfg.com/S2CDT

Application

- Ideal as a housing for a complete personal computer system including video screen, keyboard and PLC.
- Flexible design provides panel mount or rack mount capabilities for a variety of applications.
- Generally used in combination with other modular console components (ie. base or pedestal). Mounting on base provides extra room for PLC's and and/or printer-paper stands.
- Optional casters (require plinth) allow for a completely mobile, NEMA rated work station.
- Smooth lines and clean edges provide an attractive, contemporary appearance.

Standards

- UL 508A Type 3R, 4, 12 (Stainless Steel, add 4X)
- CSA Type 3R, 4, 12, 13 (Stainless Steel, add 4X)
- EIA RS-310-E
- Complies with
 - NEMA Type 3R, 4, 12 (Stainless Steel, add 4X)
 - IEC 60529, IP66

Construction

- Formed 14 gauge steel bodies with 14 gauge steel doors.
- Also offered with formed 14 gauge 304 stainless steel bodies with 14 gauge 304 stainless steel doors.
- Smooth, continuously welded seams.
- Body stiffeners are provided where required for increased strength and rigidity.
- Offered in 24" width only.
- Features solid sides and top, 2 solid doors on front (both open down), lower, smaller door for keyboard shelf, back (opens up), and open bottom.
- Lower drop down door provides access to optional slide-out keyboard drawer.
- Front doors feature sliding rod mechanism which allows a 102° opening when in the lowered position.
- Rear door features manual, 3 position adjustable door stop which provides convenient support while door in open position.
- Formed lip on enclosure excludes flowing liquids and contaminants.
- Slotted quarter turn oil-tight latches secure the door, with optional tamper resistant and locking latches available.
- Stainless steel models utilize stainless steel hardware.
- Oil resistant gaskets are permanently secured.
- Features several internal stud locations for mounting of various accessories.
- A bonding screw is provided on the door and a grounding stud is provided in the enclosure.

Finish

- Available in RAL 7035 light gray textured powder coating and natural stainless steel with a smooth, brushed finish.
- 24" Front Window Door available in same finishes.

Accessories

- S2000 Internal Components...*See Page 155*
- S2000 External Components...*See Page 159*
- Quarter Turn Assemblies...*See Page 287*
- Quarter Turn Inserts and Keys...*See Page 287*
- Padlock Adaptor...*See Page 286*
- Climate Control...*See Page 244*
- Lighting...*See Page 312*
- General Accessories...*See Page 281*

RAL 7035 Light Gray Part No.	Stainless Steel Part No.	Enclosure			
		H	W	D1	D2
2CLD24R	2CSD24R	28.50	24.00	16.63	12.38

Base Panel



- 14 gauge steel panels are finished in white.
- Used in both single access and dual access bases.
- Available in 4 widths.
- Mounts into “C” Channel Mounting Kit (not included.)
- Hardware required for mounting into “C” channels is included.

Part No.	Fits Base			
	Width	Height	Width	Depth
2CWBP24	24.00	22.50	20.00	0.75
2CWBP36	36.00	22.50	32.00	0.75
2CWBP48	48.00	22.50	44.00	0.75
2CWBP60	60.00	22.50	56.00	0.75

Consolet Panel



- 12 gauge steel panels.
- Available in 4 widths.
- Mounts onto panel mounting studs in consolet.
- Finished in white.

Part No.	Fits			
	Consolet Width	Height	Width	Depth
2CWCP24	24.00	30.50	20.50	0.75
2CWCP36	36.00	30.50	32.50	0.75
2CWCP48	48.00	30.50	44.50	0.75
2CWCP60	60.00	30.50	56.50	0.75

Desk Inner Panel



- 12 gauge steel panels.
- Used in both Standard and Deep desks.
- Available in 4 widths.
- Mounts horizontally onto panel mounting channels in bottom of desk.
- Finished in white.

Part No.	Fits			
	Consolet Width	Height	Width	Depth
2CWDP24	24.00	0.50	22.00	16.00
2CWDP36	36.00	0.50	34.00	16.00
2CWDP48	48.00	0.50	46.00	16.00
2CWDP60	60.00	0.50	58.00	16.00



Terminal Keyboard Shelf

- Designed specifically for use in Data Terminal.
- Sloped wrist rest provides comfort for operator.
- Locks in place when extended.
- 20" width accommodates standard width keyboards.
- Finished in textured black.
- Slides included.
- Slide-out mouse pad (left or right) included.

Part No.	Height	Width	Depth
2CWDSR	3.88	20	15.63



Mounting Rack Rail Swing Frame

For use with the Series 2000 Enclosures

- Available in 19" and 24" widths.
- Variable depth feature allows front to rear adjustment.
- Installs with either left or right hinging.
- Mounts onto Rail Support Kits (not included).
- Clip nuts required for mounting to punched rails.
- Finished in textured black.
- TAA compliant for GSA Schedule purchases.
- RoHS Compliant.
- Manufactured in North America.

Part No.	Fits Console Unit	Fits Console Size	Panel			
			Width	Height	A	B
2CSFT19	Turrets/Terminal	24,36,48,60	19"	8U	15.75	19.28
2CSFT24	Turrets/Terminal	36,48,60	24"	8U	15.75	24.28
2CSFB19	Bases	24,36,48,60	19"	12U	22.09	19.28
2CSFB24	Bases	36,48,60	24"	12U	22.09	24.28



"C" Channel Mounting Kit

- For use in Turrets, Data Terminals and Bases.
- Provide adjustable (side to side) mounting support for Base Panels and all Rail Support Kits.
- Available in 4 widths.
- Finished in textured black.

Part No.	Fits Console Width	A
2CMC24	24.00	23.50
2CMC36	36.00	33.50
2CMC48	48.00	47.50
2CMC60	60.00	59.50

Rail Support Kit



- Separate kits for Standard Turret/Data Terminal, Deep Turret and Bases.
- For use with Swing Frame, CRT Mounting Kit and Combination Rails.
- Mount into "C" channels (not included).
- Finished in textured black.

Part No.	Fits Console Unit
2CTRSK36	Turret/Terminal
2CTRSK43	Deep Turret
2CBRSK	Base

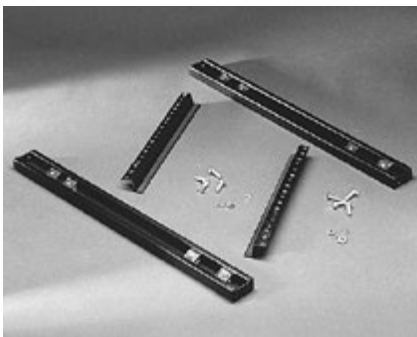
Combination Rails



- Features punched universal EIA spacing.
- Mounts onto Rail Support Kits (not included - see above).
- Clip nuts required for mounting to punched rails
- Finished in black.

Part No.	Units	Fits Console Unit
2CTRK	9	Turrets/Terminal
2CBRK	13	Base

CRT Mounting Kit



- Adjustable width allows for mounting of most CRT models.
- For use in Turrets or Data Terminal.
- Mounts onto Rail Support Kits (not included - see above).
- Finished in textured black.

Part No.	
2CRTK	



Printer and Paper Stand

- Provides convenient pullout access and support for printers in bases.
- Two versions available for high or low applications.
- Mounts onto Combination Rails (not included).
- Finished in textured black.
- Slides included.

Part No.	Description	Height
2CLPS	Low Printer Stand	7.00
2CHPS	High Printer Stand	12.25



Gas Filled Door Support

- Provide "lift assist" and door support for rear Turret/Data Terminal doors and Desk lids.
- Replace standard manual door supports.
- Rated to support 40lb (18kg)
- Minimum enclosure width of 16" is required
- Finished in black.
- Sold individually.
- Recommend 1 for 24"/36" and 2 for 48"/60".

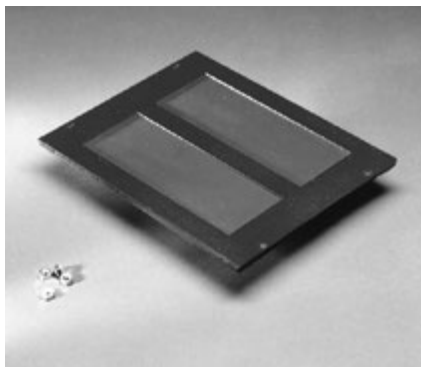
Part No.	2CDSTP
----------	--------



DIN Rail Support Kit

- Provide adjustable mounting support for DIN rails (sold separately.)
- For use in Bases only.
- Mount into "C" channels (not included).

Part No.	2CDMK
----------	-------



Micro Cell Cable Entry Kit

- For use in Single or Dual Access Bases.
- Constructed of 14 gauge steel.
- Features 2 cutouts for cable access.
- Underside of cutouts covered with black foam rubber which, when punctured for cable access, still maintains a virtually sealed bottom.
- Finished in textured black.

Part No.	2CMBPK
----------	--------



Mobile Keyboard Support

- Installs easily at any location along front of Desks or Consolet.
- Provides temporary keyboard support.
- 20" width accommodates standard width keyboards.
- Finished in textured black.

Part No.	2CMKS75
----------	---------



Pedestal

- Maintains NEMA rating of system.
- Formed 14 gauge steel.
- Also offered with formed 14 gauge stainless steel.
- Stiffeners added for solid stability.
- Open top and bottom provides an unobstructed wireway for pull through cabling.
- Can be mounted directly on floor or on a plinth.
- Available in light gray and stainless steel.

Part No.	Finish
2CLS	RAL7035 Light Gray
2CSS	Stainless Steel



Data Terminal Extension Ring

- Formed 14 gauge steel.
- Adds 6" to Data Terminal Depth.
- Maintains NEMA rating.
- Utilizes door from Data Terminal.
- Fastens flush to back of Data Terminal.
- Available in light gray and natural stainless steel.

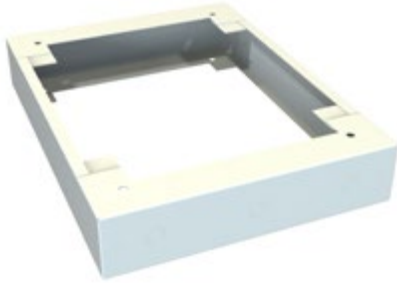
Part No.	Finish
2CLD24X	ANSI 61 Gray (smooth)
2CSD24X	Stainless Steel



Turret/Terminal Window Door

- Maintains the NEMA rating of the enclosure.
- Constructed of 14 gauge steel and lexan window.
- Easy field installation.
- Fits Standard Turret, Deep Turret, and Data Terminal.
- Offered in 24" width only.
- Available in light gray and stainless steel.

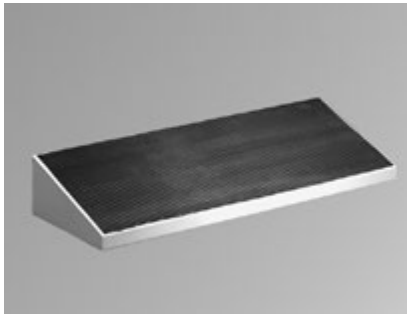
Part No.	Finish
2CLTW24	RAL7035 Light Gray (textured)
2CSTW24	Stainless Steel



Modular Plinth

- Features removable front and rear panels for easy access to bottom for cabling or transport by forklift.
- For cable access, features 3 double knockouts on each end.
- Available in 4" and 8" heights.
- Available in 24", 36", 48" and 60" widths.
- Maintains NEMA rating of system.
- Formed 14 gauge steel.
- Also offered with formed 14 gauge stainless steel.
- Available in light gray and stainless steel.

RAL 7035 Light Gray		Stainless Steel		
Part No.	Part No.	A	B1	B2
2CLP42418	2CSP42418	4.00	24.00	-
2CLP43618	2CSP43618	4.00	36.00	-
2CLP44818	2CSP44818	4.00	-	48.00
2CLP46018	2CSP46018	4.00	-	60.00
2CLP82418	2CSP82418	8.00	24.00	-
2CLP83618	2CSP83618	8.00	36.00	-
2CLP84818	2CSP84818	8.00	-	48.00
2CLP86018	2CSP86018	8.00	-	60.00



Footrest

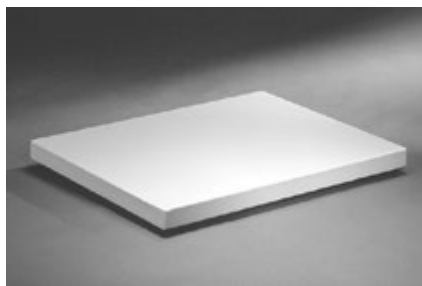
- Generally used in combination with plinth.
- Provides a raised foot support to relieve back stress.
- Gives the installation a "finished" appearance.
- Available in 24", 36", 48" and 60" widths.
- Maintains NEMA rating of system.
- Formed 14 gauge steel.
- Also offered with formed 14 gauge stainless steel.
- Rubber tread for added traction on footrest surface.
- Available in light gray and natural stainless steel.

RAL 7035 Light Gray		Stainless Steel
Part No.	Part No.	B
2CLF24	2CSF24	24.00
2CLF36	2CSF36	36.00
2CLF48	2CSF48	48.00
2CLF60	2CSF60	60.00

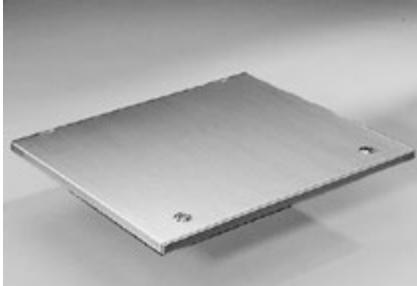
Base Cover

- Should be used to close top opening (of either single or dual access) base when no other components are mounted on the base's top.
- Constructed of 14 gauge steel.
- Available light gray and stainless steel.
- Can also be used on the underside of a Standard Desk Unit, Standard Turret and Data Terminal.

RAL 7035 Light Gray		Stainless Steel
Part No.	Part No.	B
2CLBC2436	2CSBC2436	24.00
2CLBC3636	2CSBC3636	36.00
2CLBC4836	2CSBC4836	48.00
2CLBC6036	2CSBC6036	60.00



Desk Cover



- For use when no turret is used on top of desk.
- Provides a hinged, flat, sturdy desk surface.
- Available for either Standard or Deep desks.
- Constructed of 14 gauge steel.
- Features quarter turn latches for easy access into flat desk top.
- Available in light gray and stainless steel.

RAL 7035 Light Gray		Stainless Steel			
Part No.	Part No.	B1	B2	B3	C
Standard Depth Desk Cover					
2CLDC2436	2CSDC2436	23.75	-	-	16.38
2CLDC3636	2CSDC3636	-	35.75	-	16.38
2CLDC4836	2CSDC4836	-	-	47.75	16.38
2CLDC6036	2CSDC6036	-	-	59.75	16.38
Deep Depth Desk Cover					
2CLDC2443	2CSDC2443	23.75	-	-	24.03
2CLDC3643	2CSDC3643	-	35.75	-	24.03
2CLDC4843	2CSDC4843	-	-	47.75	24.03
2CLDC6043	2CSDC6043	-	-	59.75	24.03



Base Window Door

- Maintains the NEMA rating of the enclosure.
- Constructed of 14 gauge steel and lexan window.
- Easy field installation.
- Available for the 4 base widths.
- On 2 door units, a window can be installed on one side only.
- Available in light gray and stainless steel.

RAL 7035 Light Gray		Stainless Steel		Fits Base	
Part No.	Part No.	Width	B	C	
2CLBW24	2CSBW24	24.00	23.75	16.75	
2CLBW36	2CSBW36	36.00	35.75	28.75	
2CLBW48	2CSBW48	48.00	23.75	16.75	
2CLBW60	2CSBW60	60.00	29.75	22.75	



Console Casters

Features

- Features zinc plated ball bearing pivot, composite wheels.
- Wheels are grey.
- Includes mounting hardware.
- Includes heavy duty brackets for outside mounting to cabinet frame.
- Sold in pairs to provide ability to mix locking and non-locking.
- Mount directly to plinths.
- Recommend 4 casters for 24"/36" and 6 casters for 48"/60".
- Note: Casters will not work when frames are ganged together.

Part No.	Wheel Diameter	Overall Height Added to Cabinet	Hole Mounting Pattern		Quantity Included In Set	Brakes Included	Physical Wheel Weight
			Width	Depth			
2CCSTL	3.50	4.97	1.75	3.00	2	Yes	6.2 lb (2.8 kg)
2CCSTN	3.50	4.97	1.75	3.00	2	No	8.0 lb (3.6 kg)

Type 12 Consolets *1488 Series*

Hinged Cover



Quick Link: hammfg.com/1488

Application

- Designed for use as electric, hydraulic or pneumatic control and instrument enclosures.
- Ideal for flat or surface mounting/pedestal to provide the necessary 30° or 60° control slope.
- Provides protection from dirt, dust, oil and water.

Standards

- UL 508A Type 12, 13
- CSA Type 12, 13
- Complies with
 - NEMA Type 12, 13
 - IEC 60529, IP54

Construction

- Formed 14 gauge steel.
- Smooth, continuously welded seams.
- Construction provides either 30° or 60° slope on front cover depending on mounting position.
- Continuously hinged cover may be removed by pulling the hinge pin.
- Captive cover screws thread into sealed wells.
- Oil resistant gasket and adhesive.
- A bonding stud is provided on the door and a ground stud is provided on the enclosure.

Finish

- Cover and enclosure are phosphatized and finished in ANSI 61 gray powder coating.

Accessories

- Pedestal and Base...*See Page 319*
- Climate Control...*See Page 244*
- General Accessories...*See Page 281*

Part No.	Cover H	Enclosure			
		H1	H2	W	D
1488EE7	8.00	2.50	7.16	8.00	7.44
1488EH7	8.00	2.50	7.16	12.00	7.44
1488EJ7	8.00	2.50	7.16	16.00	7.44
1488EL7	8.00	2.50	7.16	20.00	7.44
1488HH9	12.00	2.50	9.16	12.00	10.90
1488HJ9	12.00	2.50	9.16	16.00	10.90
1488HL9	12.00	2.50	9.16	20.00	10.90
1488HN9	12.00	2.50	9.16	24.00	10.90
1488JJ11	16.00	2.50	11.16	16.00	14.37
1488JL11	16.00	2.50	11.16	20.00	14.37
1488JN11	16.00	2.50	11.16	24.00	14.37
1488JQ11	16.00	2.50	11.16	30.00	14.37
1488JS11	16.00	2.50	11.16	36.00	14.37
1488LL13	20.00	2.50	13.16	20.00	17.83
1488LN13	20.00	2.50	13.16	24.00	17.83
1488LQ13	20.00	2.50	13.16	30.00	17.83

Operator Interface Enclosures

Consolet Enclosures

Type 12 Console Cabinet 1471 Series

Sloped Front, Continuous Hinged Cover



Quick Link: hammfg.com/1471

Application

- Designed to house electrical, electronic, hydraulic or pneumatic controls and instruments.
- Heavy-duty construction provides protection from dirt, dust, oil and water.
- Sloping front control panel provides an ideal surface for mounting operator controls or instrumentation.
- Interior mounting provision on removable inner panels located on the rear and sides of the enclosure.

Standards

- UL 508A Type 12
- CSA Type 12
- Complies with
 - NEMA Type 12
 - IEC 60529, IP54

Construction

- Formed 14 gauge steel.
- Smooth, continuously welded seams, without knockouts, cutouts or holes.
- Sloped front instrument panel is continuously hinged on the front (bottom) edge and secured with captive panel screws, threaded into sealed wells.
- Continuously hinged door and front instrument panel may be removed by pulling the hinge pin.
- Doors are secured with a three point latch and operated with a key locking automotive type handle.
- Oil resistant gaskets are permanently secured.
- Includes three removable inner panels formed from 12 gauge steel, mounted to the back and sides of the enclosure interior.
- Collar studs are provided for mounting inner panels.
- A bonding stud is provided on the door and a grounding stud is provided in the enclosure for each door.
- A literature pocket is provided for the inside of the door.

Finish

- Cover and enclosure are phosphatized and finished in ANSI 61 gray powder coating on the outside and on the inside.
- Removable inner panels are finished in white powder coating.

Accessories

- Door Stop Kit...See Page **320**
- Type 12 Handle Kits...See Page **285**
- Window Kits...See Page **308**
- Climate Control...See Page **244**
- Lighting...See Page **312**
- General Accessories...See Page **281**

Part No.	Enclosure				Panel	
	H1	H2	W	D	H	W
1471C24	32.00	48.00	24.00	18.00	27.00	17.00
1471C36	32.00	48.00	36.00	18.00	27.00	29.00

Type 12 Modular Console Cabinet 1472 Series

Sloped Front

Operator Interface Enclosures
Console Enclosures



Quick Link: hammfg.com/1472



Application

- Designed to house electrical, electronic, hydraulic or pneumatic controls and instruments.
- Heavy-duty construction provides protection from dirt, dust, oil and water. Sloping front control and instrument panels provide an ideal surface for mounting operator controls or instrumentation.
- Interior mounting is provided for with a removable inner panel located on the rear of the basic console.

Standards

- UL 508A Type 12
- CSA Type 12
- Complies with
 - NEMA Type 12
 - IEC 60529, IP65

Base Console Construction

- Formed 14 gauge steel.
- Smooth, continuously welded seams, without knockouts, cutouts or holes.
- Sloped front instrument panel is continuously hinged on the front (bottom) edge and secured with captive panel screws, threaded into sealed wells.
- Front instrument panel may be removed by pulling the hinge pin.
- Flush doors are secured with a three point latch and operated with a key locking automotive type handle.
- Two door model has overlapping front doors, with three point latch on right door.
- Oil resistant gaskets are permanently secured.
- Includes a removable inner panel formed from 12 gauge steel, mounted to the back of the enclosure interior.
- Collar studs are provided for mounting inner panels.

- A bonding stud is provided on the door and a grounding stud is provided in the enclosure for each door.
- A literature pocket is provided.

Turret Construction

- Formed and welded from 14 gauge steel.
- Sloping instrument panel and vertical rear access are completely removable.
- Captive panel screws fasten into sealed wells.

Writing Surface Construction

- Formed and welded from 14 gauge steel.
- Fastens to the front of the console with screws

Finish

- Cover and enclosure are phosphatized and finished in ANSI 61 gray powder coating on the outside and on the inside.
- Removable inner panels are finished in white powder coating.

Finish

- Cover and enclosure are phosphatized and finished in ANSI 61 gray powder coating on the outside and on the inside.
- Removable inner panels are finished in white powder coating.

Accessories

- Door Stop Kit...*See Page 320*
- Type 12 Handle Kits...*See Page 285*
- Window Kits...*See Page 308*
- Climate Control...*See Page 244*
- Lighting...*See Page 312*
- General Accessories...*See Page 281*

Base Console

Part No.	Enclosure				Panel		
	H1	H2	W	D1	D2	H	W
1472-24 ¹	36.00	40.00	24.00	17.00	20.00	18.75	27.25
1472-36 ¹	32.00	36.00	36.00	20.00	24.00	30.00	32.00
1472-48 ^{1,2}	32.00	36.00	48.00	20.00	24.00	42.00	32.00

¹ UL Listed

² 2 Door Version

Turret

Part No.	H	W	D1	D2
1472-24T	16.00	24.00	5.00	3.00
1472-36T	20.00	36.00	10.00	6.00
1472-48T	20.00	48.00	10.00	6.00

Writing Surface

Part No.	H	W	D
1472-24W	4.00	24.00	10.00
1472-36W	4.00	36.00	10.00
1472-48W	4.00	48.00	10.00

Technical references and CAD downloads available at www.hammondmfg.com

All dimensions in inches unless specified otherwise

Eclipse Command System - NEMA 12 *ECP Series*

Command Enclosure



Quick Link: hammfg.com/ECP

Application

- Designed to enclose electronic controls, instruments and components in indoor environments where dirt, dust, oil and water may be present.
- Ideal for use with suspension systems.
- Multiple mounting provisions and full front mounting space provide for ideal operator interface.
- Smooth flush surfaces and attractive finishes compliment high tech equipment.

Part No.	Enclosure			Optional Panel
	H	W	D	Part No.
ECP12126	12.00	12.00	6.00	ECPP1212
ECP12168	12.00	16.00	8.00	ECPP1216
ECP161610	16.00	16.00	10.00	ECPP1616
ECP162010	16.00	20.00	10.00	ECPP1620
ECP20246	20.00	24.00	6.00	ECPP2024
ECP202412	20.00	24.00	12.00	ECPP2024

Standards

- UL 508A Type 12
- CSA Type 12
- Complies with
 - NEMA Type 12 and 13
 - IEC 60529, IP54

Construction

- Formed from 16 gauge steel.
- Smooth, continuously welded seams ground smooth.
- Door stiffeners are designed to also permit additional mounting options.
- Formed lip on enclosure to exclude flowing liquids and contaminants.
- Reversible rear door is secured with slotted quarter turn fasteners.
- Door frames have zinc die-cast corners with extrusion pressed aluminum profiles.
- Door front panels are 3mm aluminum.
- Oil resistant gaskets are permanently secured.
- Bonding stud provided on door and grounding stud installed in enclosure.
- Quarter turn latches formed from mild steel.
- Formed steel hinge with stainless steel hinge pins.
- Fastening is recommended with optional Tara Plus or 50/80 suspension systems.
- Optional red handle easily mounts horizontally to bottom of enclosure front frame. Order separately.
- Heavy duty re-enforcing plate included.

Finish

- Finished in RAL 7040 gray powder coating.
- Door panel is natural aluminum.

Operator Interface Enclosures | Suspension Systems

Eclipse Command System Handle



- Easily mounts horizontally to bottom of enclosure front frame.
- Finished in red.

Part No.	Fits Enclosure
ECPH12	ECP12126
ECPH16	ECP12168, ECP161610
ECPH20	ECP1620
ECPH24	ECP202412, ECP20246

Eclipse Command System Inner Panel



- Panel mounts on the rear door of command enclosures.
- Unfinished aluminum is 0.08" thick.

Part No.	H	W
ECPP1212	10.00	8.25
ECPP1216	10.00	12.25
ECPP1616	14.00	12.25
ECPP1620	14.00	16.25
ECPP2024	18.00	20.25

Technical references and CAD downloads available at www.hammondmfg.com

All dimensions in inches unless specified otherwise

Quality Products. Service Excellence.

Tara Plus Suspension System *TPSS Series*

NEMA 12, 13



Quick Link: hammfg.com/TPSS

Application

- Taraplus enclosure suspension systems are designed for light and medium loads.
- The strength of tube and cast fittings provide a highly flexible robust system.

Standards

- Complies with
 - IEC 60529 IP54

Construction

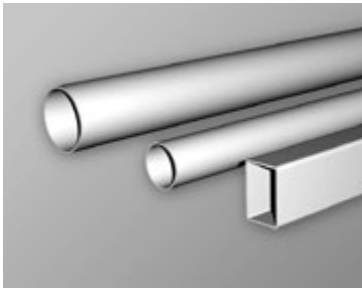
- Enclosure coupling and elbow coupling fittings are die-cast from G AL SI 12 aluminum.
- Suspension tubing is steel.

Finish

- Fittings are finished in RAL 7040 window gray.
- Suspension tubing is RAL 7035 light gray.

Operator Interface Enclosures

Tara Plus Suspension Tube



Part No.	Outside mm	Inside mm	Tolerance	Length Metres	Feet
Round Tubes					
R144-301-000	48	42	±0.25	1	3.28
R144-321-000	70	62	±0.25	1	3.28
R144-321-500	70	62	±0.25	1.5	4.92
Rectangular Tubes					
R144-310-750	60 x 40	54 x 34	±0.50	0.75	2.46
R144-311-000	60 x 40	54 x 34	±0.50	1	3.28
R144-311-500	60 x 40	54 x 34	±0.50	1.5	4.92

Suspension Systems

Tara Plus Coupling



- Attaches to enclosure.
- Accepts 48mm round tube, perpendicular to enclosure top/bottom.
- Die-cast Aluminum G Al Si 12.
- Adjustable torque resistance.
- Rotates 300°.

Part No.	Mounting Position
R149-025-500	Top
R149-025-501	Bottom

Tara Plus Tilt Coupling



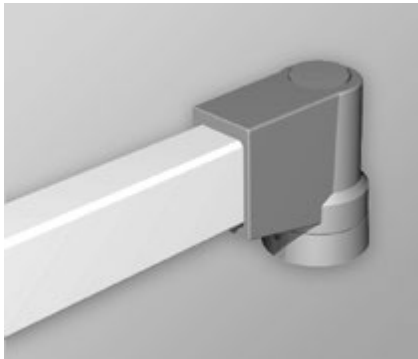
- Attaches to enclosure.
- Accepts 48mm round tube perpendicular to enclosure top/bottom.
- Die-cast Aluminum G Al Si 12.
- Rotates 300°.
- Features an adjustable tilt mechanism up to 35°.

Part No.	Mounting Position
R149-025-001	

Technical references and CAD downloads available at www.hammondmfg.com

All dimensions in inches unless specified otherwise

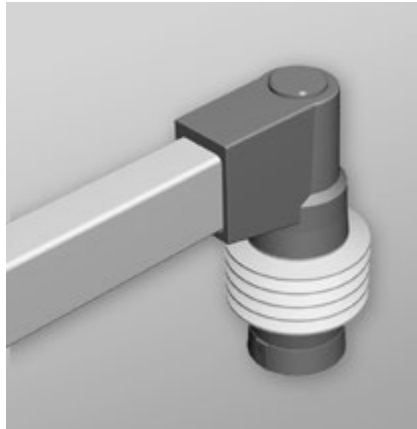
Tara Plus Elbow Coupling



- Attaches to enclosure.
- Accepts 60x40mm rectangular tube parallel to enclosure top/ bottom.
- Die-cast Aluminum G Al Si 12.
- Adjustable torque resistance.
- Rotates 300°.
- Accessible from the top.

Part No. R149-035-000

Tara Plus Tilt Elbow Coupling



- Attaches to enclosure.
- Accepts 60x40mm rectangular tube parallel to enclosure top/ bottom.
- Die-cast Aluminum G Al Si 12.
- Rotates 300°.
- Features an adjustable tilt mechanism up to 35°.

Part No. R149-035-001

Tara Plus Fixed Elbow 48



- For use with 48mm round tube and 60x40mm rectangular tube.
- Vertical 48mm tube connection for use with Couplings only (not Base 48).
- Die-cast Aluminum G Al Si 12.
- Large cover opening for easier cable pull through.
- No rotation.
- Accessible from the top.

Part No. R149-020-000

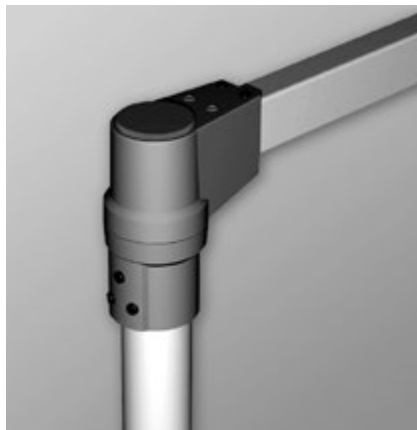
Tara Plus Fixed Elbow 70



- For use with 70mm round tube and 60x40mm rectangular tube.
- Die-cast Aluminum G Al Si 12.
- No rotation.
- Accessible from the top.

Part No. R149-020-001

Tara Plus Rotating Elbow



- For use with 70mm round tube and 60x40mm rectangular tube.
- Die-cast Aluminum G Al Si 12.
- Rotates 300°.
- Accessible from the top.

Part No. R149-040-000

Tara Plus Base 48



- For use with 48mm round tube.
- Not for use with any horizontal configurations.
- Compatible with tube up or tube down configurations.
- Die-cast Aluminum G Al Si 12.
- No rotation.

Part No. R149-030-000

Technical references and CAD downloads available at www.hammondmfg.com

All dimensions in inches unless specified otherwise

Quality Products. Service Excellence.

Tara Plus Base 70

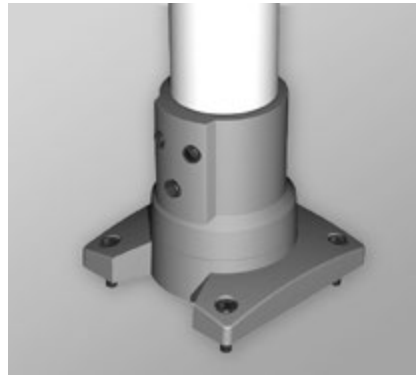


- For use with 70 mm tube.
- Compatible with all vertical and horizontal configurations.
- Compatible with tube up or tube down configurations.
- Die-cast Aluminum G Al Si 12.
- No rotation.

Part No.

R149-030-001

Tara Plus Rotating Base 70

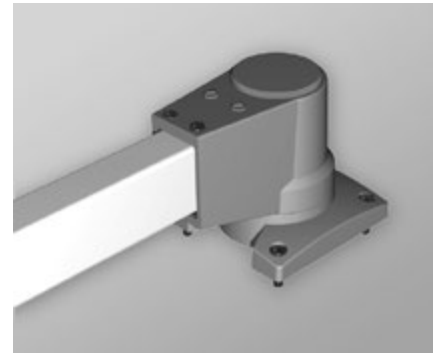


- For use with 70 mm tube.
- Compatible with all vertical and horizontal configurations.
- Compatible with tube up or tube down configurations.
- Die-cast Aluminum G Al Si 12.
- Rotates 300°.
- Integrated movement stop.
- Service free bearings.

Part No.

R149-005-001

Tara Plus Socket Joint

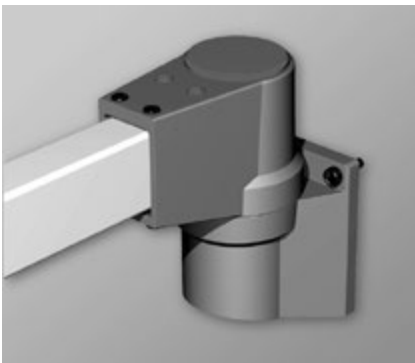


- Accepts 60x40mm rectangular tube parallel to its mounting surface.
- Die-cast Aluminum G Al Si 12.
- Integrated movement stop.
- Service free bearings.
- Rotates 300°.
- Adjustment screws (red screws).
- Accessible from the top.

Part No.

R149-005-000

Tara Plus Wall Joint



- Accepts 60x40mm rectangular tube perpendicular to its mounting surface.
- Die-cast Aluminum G Al Si 12.
- Rotates 186°.
- Accessible from the top.

Part No.

R149-010-000

Tara Plus Vertical Wall Joint



- Accepts 70mm tube parallel to its mounting surface.
- Die-cast Aluminum G Al Si 12.
- Rotates 316°.

Part No.

R149-010-001

Tara Plus Intermediate Joint



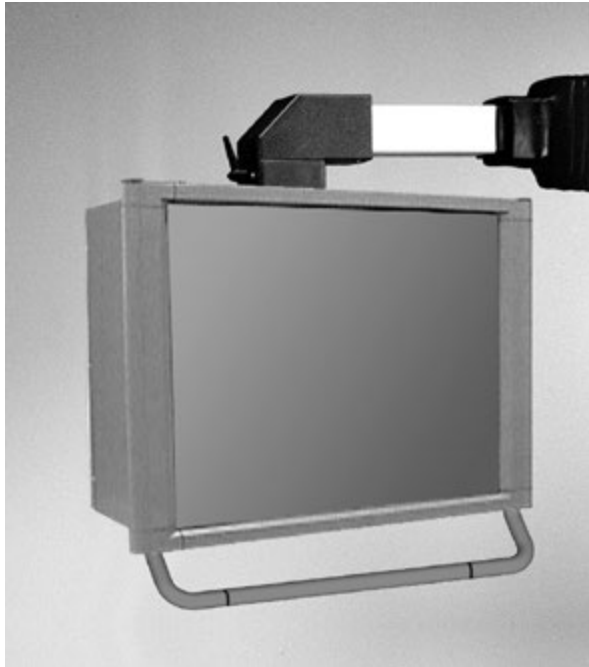
- Accepts 60x40mm rectangular tube.
- Die-cast Aluminum G Al Si 12.
- Integrated movement stop.
- One piece bellow.
- Rotates 300°.

Part No.

R149-015-000

Heavy Duty 50/80 mm Suspension Systems *HDSS Series*

NEMA 12, 13



Application

- Command 50mm and 80mm enclosure suspension systems are designed for medium and heavy loads.
- The strength of square tube and cast fittings provide a highly flexible, robust system.

Standards

- Complies with
 - IEC 60529 IP54

Construction

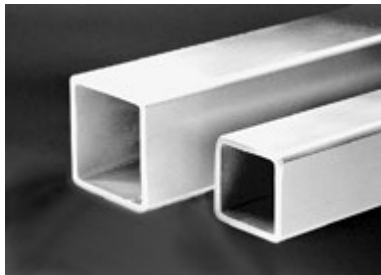
- Enclosure coupling and elbow coupling fittings are die-cast from G Al Si 12 aluminum.
- All other fittings are die-cast 4G-s.g. iron.
- Suspension tubing is steel.

Finish

- Fittings are finished in RAL 7040 window gray powder coating.
- Suspension tubing is RAL 7035 light gray powder coating.

Quick Link: hammfg.com/HDSS

Heavy Duty Suspension Tube



Part No.	Outside	Inside	Tolerance	Length	
	mm	mm		Metres	Feet
R144-021-000R	50	40	±0.5	1	3
R144-022-000R	Square			2	7
R144-041-000R	80	70	±0.6	1	3
R144-042-000R	Square			2	7

Note: Table dimensions in mm.

Heavy Duty Enclosure Coupling



- Cast aluminum.
- Large thrust flange.
- Fastens with 4 hex socket screws.
- Adjustable torque resistance.
- Features a rotation range of 300°.

Part No.	System	A	B	C	D	E	F
R147-025-000R	50	115	50	42	96	58	52
R147-025-200R	80	145	80	72	139	87	85

Note: Table dimensions in mm.

Technical references and CAD downloads available at www.hammondmfg.com

All dimensions in inches unless specified otherwise

Quality Products. Service Excellence.

Heavy Duty Elbow Coupling



- Cast Aluminum
- Large thrust flange.
- Fastens with 4 hex socket screws.
- Adjustable torque resistance.
- Features a rotation range of 300°.

Part No.	System	A	B	C	D	E
R147-035-000R	50	154	106	147	96	58
R147-035-200R	80	209	139	190	139	87

Note: Table dimensions in mm.

Heavy Duty Elbow



- Cast Aluminum
- Large cover opening for easier cable pull through.

Part No.	System	A	B	C	D	E
R147-020-000R	50	144	46	60	42	50
R147-020-200R	80	193	56	83	70	80

Note: Table dimensions in mm.

Heavy Duty Intermediate Joint



- 4G-s.g. cast iron.
- Integrated movement stop.
- One piece bellow.
- Two sleeves.
- Features a rotation range of 170°.

Part No.	System	A	B	C
R147-015-000R	50	236	140	70
R147-015-200R	80	320	180	97

Note: Table dimensions in mm.

Heavy Duty Wall Joint

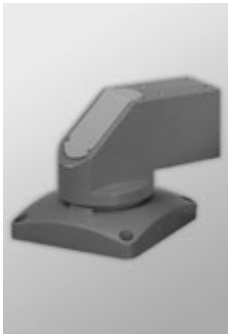


- 4G-s.g. cast iron.
- Integrated movement stop.
- One piece bellow.
- Two sleeves.
- Features a rotation range of 170°.

Part No.	System	A	B	C	D	E
R147-010-000R	50	200	105	130	80	55
R147-010-200R	80	275	150	175	115	90

Note: Table dimensions in mm.

Heavy Duty Socket Joint



- Cast Aluminum.
- Integrated movement stop.
- Service free bearings.
- Features a rotation range of 300°.
- Can mount on top of machine or inverted.

Part No.	System	A	B	C	D	E	F	G	H
R147-005-000R	50	50	68	96	134	120	140	9	55
R147-005-200R	80	74	98	142	196	180	210	13	84

Note: Table dimensions in mm.

Heavy Duty Cast Iron Base



- 4G-s.g. cast iron.
- Gasket included.
- Does not rotate.

Part No.	System	A	B	C	D	E	F
R147-030-000R	50	110	100	152	125	95	50
R147-030-200R	80	140	130	200	173	125	80

Note: Table dimensions in mm.

Heavy Duty Slope Adaptor



- Provides 30° or 60° incline by mounting to rear of enclosure.
- Cast aluminum.

Part No.	R140-045-000R

Type 12 Mild Steel Miniature Pushbutton Enclosures *MPB Series*

Operator Interface Enclosures
Pushbutton Enclosures


Quick Link: hammfg.com/MPB

Application

- Designed to accept 22mm miniature oil tight pushbuttons, switches and pilot lights.
- Provides protection from dirt, dust, oil and water.

Standards

- UL 508A Type 12 and 13
- CSA Type 12 and 13
- Complies with
 - NEMA Type 12 and 13
 - IEC 60529, IP54
- Appropriate components are required to maintain these standards.

Construction

- Formed 14 gauge steel except the MPB1 which is 16 gauge.
- Smooth continuously welded seams.
- Welded brackets provide for enclosure mounting.
- Captive cover screws thread into sealed wells.
- Larger enclosures provide internally hinged removable covers, designed to hold the cover open during wiring (see table).
- Oil resistant gasket and adhesive.
- A bonding stud is provided on the door and a grounding stud is provided on the enclosure.

Finish

- Offered in 2 colors - Cover and enclosure are phosphatized and finished in (a) ANSI 61 gray or (b) RAL7035 light gray powder coating.

Accessories

- Hole Plugs...*See Page 288*
- Pedestal and Base...*See Page 319*
- General Accessories...*See Page 281*

ANSI 61 Gray Part No.	RAL7035 Light Gray Part No.	No. of Holes	Enclosure		
			H	W	D
MPB1 ¹	MPB1LG ¹	1	3.25	2.75	3.50
MPB2 ¹	MPB2LG ¹	2	5.13	2.75	3.50
MPB3 ¹	MPB3LG ¹	3	7.00	2.75	3.50
MPB4 ¹	MPB4LG ¹	4	8.88	2.75	3.50
MPB6	MPB6LG	6	8.50	5.00	4.25
MPB9	MPB9LG	9	8.50	6.50	4.25
MPB12	MPB12LG	12	10.38	6.50	4.25

¹ Not hinged

Type 12 Mild Steel Pushbutton Enclosures *1435 Series*



Quick Link: hammfg.com/1435

Application

- Designed to accept standard heavy duty oil tight pushbuttons, switches and pilot lights.
- Provides protection from dirt, dust, oil and water.

Standards

- UL 508A Type 12 and 13
- CSA Type 12 and 13
- Complies with
 - NEMA Type 12 and 13
 - IEC 60529, IP54
- Appropriate components are required to maintain these standards.

Construction

- Formed 14 gauge steel except A and B which are 16 gauge.
- Smooth continuously welded seams.
- Welded brackets provide for enclosure mounting.
- Captive cover screws thread into sealed wells.
- Larger enclosures provide internally hinged removable covers, designed to hold the cover open during wiring (see table).
- Oil resistant gasket and adhesive.
- A bonding stud is provided on the door and a grounding stud is provided on the enclosure.

Finish

- Cover and enclosure are phosphatized and finished in ANSI 61 gray powder coating.

Accessories

- Hole Plugs...*See Page 288*
- Pedestal and Base...*See Page 319*
- General Accessories...*See Page 281*

30.5mm PB Part No.	22.5mm PB Part No.	No. of Holes	Enclosure		
			H	W	D
1435A ¹	1435MA ¹	1	3.50	3.25	2.75
1435B ¹	1435MB ¹	2	5.75	3.25	2.75
1435C ¹	1435MC ¹	3	8.00	3.25	2.75
1435D ¹	1435MD ¹	4	10.25	3.25	2.75
1435F	1435MF	4	7.25	6.25	3.00
1435H	1435MH	6	9.50	6.25	3.00
1435K	1435MK	9	9.50	8.50	3.00
1435O	1435MO	12	11.75	8.50	3.00
1435S	1435MS	16	11.75	10.75	3.00

¹ Not hinged

Type 12 Mild Steel Pushbutton Enclosures *1437 Series*

Extra Deep

Operator Interface Enclosures Pushbutton Enclosures



Quick Link: hammfg.com/1437

Application

- Designed to accept standard heavy duty oil tight pushbuttons, switches and pilot lights.
- Provides protection from dirt, dust, oil and water.

Standards

- UL 508A Type 12 and 13
- CSA Enclosure 12 and 13
- Complies with
 - NEMA Type 12 and 13
 - IEC 60529, IP54
- Appropriate components are required to maintain these standards.

Construction

- Formed from 14 gauge steel except A which is 16 gauge.
- Smooth continuously welded seams.
- Welded brackets provide for enclosure mounting.
- Captive cover screws fasten into threaded, sealed wells.
- Larger enclosures provide internally hinged removable covers, designed to hold the cover open during wiring (see drawings).
- Oil resistant gasket and adhesive.
- A bonding stud is provided on the door and a grounding stud is provided on the enclosure.

Finish

- Cover and enclosure are phosphatized and finished in ANSI 61 gray powder coating.

Accessories

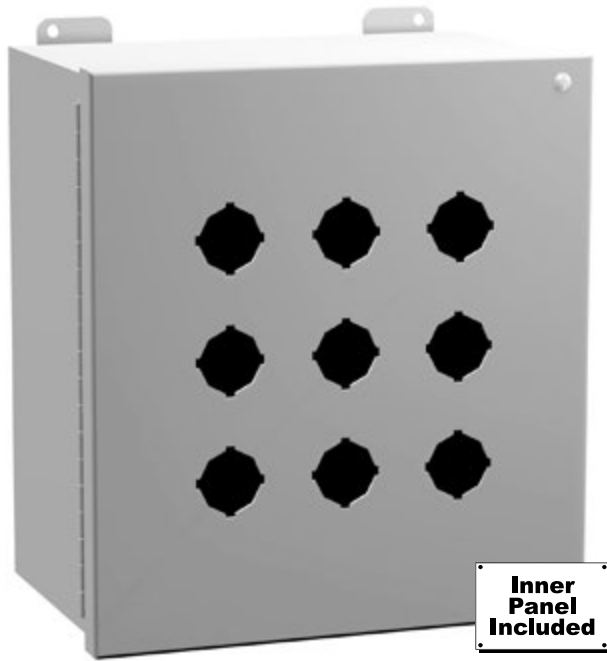
- Hole Plugs...*See Page 289*
- General Accessories...*See Page 281*

30.5mm PB Part No.	22.5mm PB Part No.	No. of Holes	Enclosure		
			H	W	D
1437A ¹	1437MA ¹	1	4.00	4.00	4.75
1437B	1437MB	2	6.00	4.00	4.75
1437C	1437MC	3	8.00	4.00	4.75
1437D	1437MD	4	10.00	4.00	4.75
1437F	1437MF	4	7.25	6.25	4.75
1437H	1437MH	6	9.50	6.25	4.75
1437K	1437MK	9	9.50	8.50	4.75
1437O	1437MO	12	11.75	8.50	4.75
1437S	1437MS	16	11.75	10.75	4.75
1437V	1437MV	20	14.00	10.75	4.75
1437X	1437MX	25	14.00	13.00	4.75

¹ Not hinged

Type 12 Mild Steel Pushbutton Enclosures *1489 Series*

Hinged Cover



Quick Link: hammfg.com/1489

Application

- Designed to accept standard heavy duty oil tight pushbuttons, switches and pilot lights.
- Provides protection from dirt, dust, oil and water.

30.5mm PB Part No.	22.5mm PB Part No.	No. Of Holes	Enclosure			Panel	
			H	W	D	H	W
1489P4	1489MP4	4	8.25	7.25	6.00	6.25	5.25
1489P6	1489MP6	6	10.50	7.25	6.00	8.50	5.25
1489P9	1489MP9	9	10.50	9.50	6.00	8.50	7.50
1489P12	1489MP12	12	12.75	9.50	6.00	10.75	7.50
1489P16	1489MP16	16	12.75	11.75	6.00	10.75	9.75
1489P20	1489MP20	20	15.00	11.75	6.00	13.00	9.75
1489P25	1489MP25	25	15.00	14.00	6.00	13.00	12.00
1489P30	1489MP30	30	17.25	14.00	6.00	15.25	12.00
1489P36	1489MP36	36	17.25	16.25	6.00	15.25	14.25
1489P42	1489MP42	42	19.50	16.25	6.00	17.50	14.25

Standards

- UL 508A Type 12
- CSA Type 12
- Complies with
 - NEMA Type 12
 - IEC 60529, IP54
- Appropriate components are required to maintain these standards.

Construction

- Formed 14 gauge steel.
- Smooth continuously welded seams.
- Welded brackets provide for enclosure mounting.
- Continuously hinged cover is secured with captive, plated steel screws which fasten into threaded sealed wells.
- Oil resistant gasket and adhesive.
- Weldnuts are provided for mounting inner panels.
- A removable 14 gauge inner panel is included.
- A bonding stud is provided on the door and a grounding stud is provided in the enclosure.

Finish

- Cover and enclosure are phosphatized and finished in ANSI 61 gray powder coating.
- Removable inner panel is finished in white powder coating.

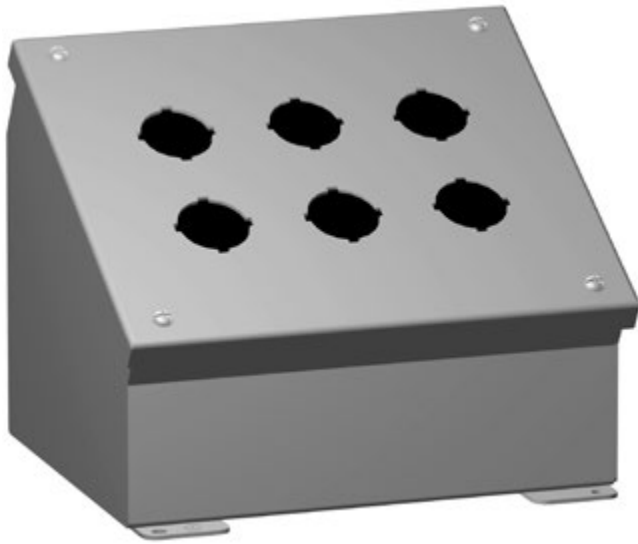
Accessories

- Hole Plugs...*See Page 288*
- Pedestal and Base...*See Page 319*
- General Accessories...*See Page 281*

Type 12 Mild Steel Pushbutton Enclosures 1490 Series

Sloped Console

Operator Interface Enclosures Pushbutton Enclosures


 Quick Link: hammfg.com/1490

Application

- Designed to accept standard heavy duty oil tight pushbuttons, switches and pilot lights.
- Ideal for wall or surface mounting to provide the necessary control slope.
- Provides protection from dirt, dust, oil and water.

Standards

- UL 508A Type 12 and 13
- CSA Type 12 and 13
- Complies with
 - NEMA Type 12 and 13
 - IEC 60529, IP54
- Appropriate components are required to maintain these standards.

Construction

- Formed 14 gauge steel.
- Smooth continuously welded seams.
- Construction provides either a 30° or 60° slope on front cover depending on mounting position.
- Welded brackets provide for enclosure mounting.
- Captive cover screws thread into sealed wells.
- Larger enclosures provide internally hinged removable covers designed to hold the cover open during wiring (as noted in table).
- Oil resistant gasket and adhesive.
- A bonding stud is provided on the door and a grounding stud is provided on the enclosure.

Finish

- Cover and enclosure are phosphatized and finished in ANSI 61 gray powder coating.

Accessories

- Hole Plugs...*See Page 288*
- Pedestal and Base...*See Page 319*
- General Accessories...*See Page 281*

30.5mm PB Part No.	22.5mm PB Part No.	No. Of Holes	Enclosure		
			H	W	D
1490D1 ¹	1490MD1 ¹	1	3.50	3.25	4.88
1490D2 ¹	1490MD2 ¹	2	3.50	5.50	4.88
1490D3 ¹	1490MD3 ¹	3	3.50	7.75	4.88
1490D4 ¹	1490MD4 ¹	4	3.50	10.00	4.88
1490G4	1490MG4	4	7.25	6.25	6.75
1490G6	1490MG6	6	7.25	8.50	6.75
1490G8	1490MG8	8	7.25	10.75	6.75
1490H9	1490MH9	9	9.50	8.50	7.88
1490G10	1490MG10	10	7.25	13.00	6.75
1490G12	1490MG12	12	7.25	15.25	6.75
1490J12	1490MJ12	12	11.75	8.50	9.00
1490G16	1490MG16	16	7.25	19.75	6.75
1490J16	1490MJ16	16	11.75	10.75	9.00
1490J20	1490MJ20	20	11.75	13.00	9.00
1490K25	1490MK25	25	14.00	13.00	10.13
1490K30	1490MK30	30	14.00	15.25	10.13

¹ Not hinged

Type 4, 4X Stainless Steel Pushbutton Enclosures *1435SS Series*



Quick Link: hammfg.com/1435SS

Application

- Designed to accept standard heavy duty oil tight pushbuttons, switches and pilot lights.
- Provides protection from dirt, dust, oil and large amounts of water from any angle, or where highly corrosive conditions exist.

304 S.S. 22.5mm PB Part No.	304 S.S. 30.5mm PB Part No.	316 S.S. 22.5mm PB Part No.	316 S.S. 30.5mm PB Part No.	No. Of Holes	Enclosure		
					H	W	D
1435MSSA ¹	1435SSA ¹	1435MS16A ¹	1435S16A ¹	1	3.50	3.25	2.75
1435MSSB ¹	1435SSB ¹	1435MS16B ¹	1435S16B ¹	2	5.75	3.25	2.75
1435MSSC ¹	1435SSC ¹	1435MS16C ¹	1435S16C ¹	3	8.00	3.25	2.75
1435MSSD ¹	1435SSD ¹	1435MS16D ¹	1435S16D ¹	4	10.25	3.25	2.75
1435MSSH	1435SSH	1435MS16H	1435S16H	6	9.50	6.25	3.00
1435MSSK	1435SSK	1435MS16K	1435S16K	9	9.50	8.50	3.00
1435MSSO	1435SSO	1435MS16O	1435S16O	12	11.75	8.50	3.00

¹ Not hinged

Standards

- UL 508A Type 4 and 4X
- CSA Type 4 and 4X
- Complies with
 - NEMA Type 3R, 4 and 4X
 - IEC 60529, IP66
- Appropriate components are required to maintain these standards.

Construction

- Formed 14 gauge stainless steel except sizes 1435*A and 1435*B which are 16 gauge.
- 304 or 316 SS.
- Smooth continuously welded seams.
- Welded brackets provide for enclosure mounting.
- Captive stainless steel cover screws thread into sealed wells.
- Larger enclosures provide internally hinged removable covers, designed to hold the cover open during wiring.
- Oil resistant gasket.
- A bonding stud is provided on the door and a grounding stud is provided on the enclosure.

Finish

- Natural stainless steel with a smooth brushed finish.

Accessories

- Hole Plugs...*See Page 289*
- General Accessories...*See Page 281*

Type 4, 4X Stainless Steel Pushbutton Enclosures *1437SS Series*

Extra Deep

Operator Interface Enclosures



Quick Link: hammfg.com/1437SS

Application

- Designed to accept standard heavy duty oil tight pushbuttons, switches and pilot lights.
- Provides protection from dirt, dust, oil and water.

Standards

- UL 508A Type 4 and 4X
- CSA Enclosure 4 and 4X
- Complies with
 - NEMA Type 4 and 4X
 - IEC 60529, IP66
- Appropriate components are required to maintain these standards.

Construction

- Formed from 14 gauge steel except A which is 16 gauge.
- Smooth continuously welded seams.
- Welded brackets provide for enclosure mounting.
- Captive cover screws fasten into threaded, sealed wells.
- Larger enclosures provide internally hinged removable covers, designed to hold the cover open during wiring (see drawings).
- Oil resistant gasket and adhesive.
- A bonding stud is provided on the door and a grounding stud is provided on the enclosure.

Finish

- Natural stainless steel with a smooth brushed finish.

Accessories

- Hole Plugs...*See Page 288*
- Ground Wire Kits...*See Page 286*

Pushbutton Enclosures

304 S.S. 22.5mm PB Part No.	304 S.S. 30.5mm PB Part No.	316 S.S. 22.5mm PB Part No.	316 S.S. 30.5mm PB Part No.	No. Of Holes	Enclosure		
					H	W	D
1437MSSA ¹	1437SSA ¹	1437MS16A ¹	1437S16A ¹	1	4.00	4.00	4.75
1437MSSB	1437SSB	1437MS16B	1437S16B	2	6.00	4.00	4.75
1437MSSC	1437SSC	1437MS16C	1437S16C	3	8.00	4.00	4.75
1437MSSD	1437SSD	1437MS16D	1437S16D	4	10.00	4.00	4.75
-	1437SSS	-	1437S16S	16	11.75	10.75	4.75

¹ Not hinged

Hygienic Type 4X Stainless Steel Pushbutton Enclosure *HYPB Series*

Sloped Sides with Silicone Gasket



Quick Link: hammfg.com/HYPB

Application

- Designed to pushbuttons and indicators while protecting against harsh, hygienic environments.
- Sloped on 4 sides prevent water from resting on top regardless of enclosure orientation.
- Hex head design screws and door-edge mounted silicone gasket allow for easy cleaning in hose-down environments.
- A wide range of sizes and practical accessories make this product line a complete package.

Standards

- UL 508A Type 3R, 12, 4, 4X
- CSA Type 3R, 12, 4, 4X
- NSF – ANSI 169
 - Not all accessories shown maintain NSF standard. Some are internal and NSF is not applicable. Refer to each accessory individually or call factory for specifics.
- Complies with
 - NEMA 3R, 12, 4, 4X
 - IEC 60529, IP69, IP69K

22mm Hole Part No.	30mm Hole Part No.	# Holes	Enclosure			Replacement Gasket
			H	W	D	
HYMPB1SS	HYPB1SS	1	7.94	4.88	4.00	HYG85
HYMPB2SS	HYPB2SS	2	7.94	4.88	4.00	HYG85
HYMPB3SS	HYPB3SS	3	9.94	4.88	4.00	HYG105
HYMPB4VSS	HYPB4VSS	4	11.94	4.88	4.00	HYG125
HYMPB4SS	HYPB4SS	4	9.94	6.88	4.00	HYG107
HYMPB6SS	HYPB6SS	6	11.94	8.88	4.00	HYG129

Construction

- Formed 304 stainless steel.
- Sloped 3° on all 4 sides
- Continuously welded seams ground smooth.
- Hex head screw cover can be completely removed for modifications.
- Silicone gasket mounts around entire door edge allowing for efficient cleaning in hygienic environments.
- Gasket can be easily removed and re-installed for cleaning or replacement. Additional silicone gaskets can be ordered separately.
- Multiple pushbutton hole configurations with either 22.5mm or 30.5mm notched holes.
- No pre-drilled wall mounting holes allow for flexible mounting alternatives - weld-in-place, stand-offs
- Bonding stud provided on door and grounding stud installed in enclosure.

Finish

- Cover and enclosure are natural stainless steel with a smooth #4 dairy finish.

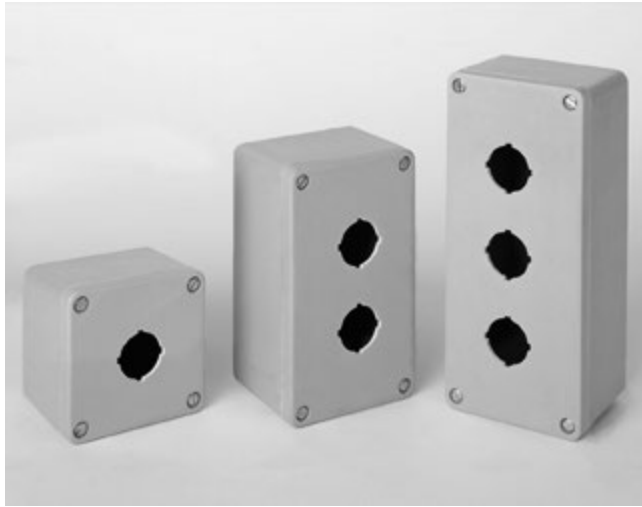
Accessories

- Wallmount Stand-offs...*See Page 293*

Type 4, 4X Polycarbonate Pushbutton Enclosure 1554 PB Series

Operator Interface Enclosures

Pushbutton Enclosures


 Quick Link: hammfg.com/1554PB

Standards

- IP66
- NEMA 4, 4X, 6, 6P, 12 & 13
 - 6 pushbutton enclosures do not meet Type 6/6P
- UL94 5VA

Construction

- Electronic instrument enclosures, designed for mounting printed circuit boards or DIN rail mounted components.
- The polycarbonate material carries a UL flammability rating of UL94 5VA and is suitable for outdoor use.

- Lid and mounting holes are located outside of the gasket seal.
- Lid is secured with self capturing M4 stainless steel machine screws (included), threaded into integral stainless steel bushings (for repetitive assembly & disassembly).
- Heavy duty 16 gauge galvanized steel panels available (see chart)
- All stainless steel hardware to avoid corrosion caused by dissimilar metals.
- Gasket is a preformed, high temperature U.L. listed silicone rubber. Gasket is replaceable.
- Gasketed lid with two piece “tongue & groove” construction provides protection against access of oil, dust and water.
- Internal DIN rail mounting tabs.
- Threaded (M3) integral brass inserts & standoffs designed for M3.5 or #6 self tapping screws for P.C. board or inner panel mounting in all but the smallest size.
- Vertical P.C. card guides (for 1.5 mm thick P.C. boards) are molded in all but the smallest size

Finish

- Color is light gray (RAL 7035)

Accessories

Optional Inner Panel

- Heavy duty panels for mounting components
- Galvanized 16 ga. steel.
- Includes mounting hardware.
- Optional Mounting Feet
 - Part No. 1554FT

22 mm Hole		30.5 mm Hole		# of Holes	Enclosure			Optional Inner Panel		
Part No.	Part No.	H	W		D (w/lid)	Part No.	H	W		
1554MPB1	1554PB1	1	3.54	3.54	2.36	1554EPL	3.10	3.10		
1554MPB1A	1554PB1A	1	3.54	3.54	3.54	1554EPL	3.10	3.10		
1554MPB2	1554PB2	2	6.30	3.54	2.38	1554JPL	5.80	3.00		
1554MPB2D	1554PB2D	2	6.30	3.54	3.56	1554JPL	5.80	3.00		
1554MPB3	1554PB3	3	7.87	4.72	3.56	1554UPL	7.60	4.20		
1554MPB4	1554PB4	4	7.87	4.72	3.56	1554UPL	7.60	4.20		
1554MPB6	1554PB6	6	9.45	6.30	3.54	1554VPL	9.10	5.70		
1554MPB6A	1554PB6A	6	9.45	6.30	3.54	1554VAPL	8.93	5.73		
1554MPB6B	1554PB6B	6	9.45	6.30	4.72	1554VAPL	8.93	5.73		
	1554PB8	8	11.81	7.87	3.54	1554XPL	11.22	7.28		
	1554PB8A	8	11.81	7.87	4.72	1554XPL	11.22	7.28		
	1554PB12	12	11.81	9.45	3.74	1554YPL	11.22	8.86		
	1554PB12A	12	11.81	9.45	4.72	1554YPL	11.22	8.86		
1554MPB15		15	11.81	7.87	3.54	1554XPL	11.22	7.28		
1554MPB15A		15	11.81	7.87	4.72	1554XPL	11.22	7.28		
1554MPB20		20	11.81	9.45	3.74	1554YPL	11.22	8.86		
1554MPB20A		20	11.81	9.45	4.72	1554YPL	11.22	8.86		

 Technical references and CAD downloads available at www.hammondmfg.com

All dimensions in inches unless specified otherwise

Type 4, 4X Polyester Pushbutton Enclosure *PJPB Series*



Quick Link: hammfg.com/PJPB

Application

- Designed for use as pushbutton enclosures for 22.5mm or 30.5mm devices.
- Provides outstanding insulation and protection where equipment may be hosed down or be very wet.
- Ideal in applications with high temperatures or highly corrosive environments.

30.5mm PB Part No.	22.5mm PB Part No.	# of Holes	Enclosure			Optional Aluminum Panel		
			H	W	D	Part No.	H	W
PJ744P1	PJ744P221	1	6.74	3.93	3.88	PJP74	4.00	3.13
PJ744P2	PJ744P222	2	6.74	3.93	3.88	PJP74	4.00	3.13
PJ944P3	PJ944P223	3	8.99	3.93	3.88	PJP94	6.25	3.13

Standards

- UL 508A Type 1, 2, 3, 4, 4X, 12 and 13
- CSA Type 1, 2, 3, 4, 4X, 12 and 13
- Complies with
 - NEMA Type 1, 2, 3, 4, 4X, 12 and 13
 - IEC 60529, IP66

Construction

- Molded fiberglass polyester enclosure with matching cover is easily punched, cut, or drilled.
- Cover is fastened with captive stainless steel screws in threaded brass inserts.
- Captive oil resistant gasket provides a positive seal.
- Mounting through rear holes on enclosure. Use #8 x 1 inch screw (not included).
- Enhanced UV inhibitors protect against outdoor weathering.
- Operating temperatures between 130°C and -40°C (266°F to -40°F).
- Impact index of 6.78J (5 ft/lb).
- For corrosion resistance information, please refer to table in Technical Information.

Finish

- Fiberglass polyester material has a gray finish.
- Optional aluminum inner panel natural finish.

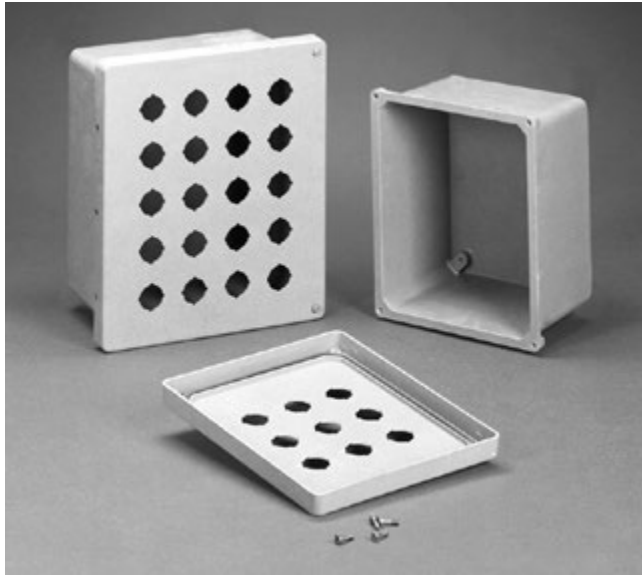
Accessories

- Hole Plugs...*See Page 289*

Type 4, 4X Polyester Pushbutton Enclosure *PJPBLC Series*

Operator Interface Enclosures

Pushbutton Enclosures



Quick Link: hammfg.com/PJPBLC

Application

- Designed for use as pushbutton enclosures for 30.5mm devices.
- Provides outstanding insulation and protection where equipment may be hosed down or be very wet.
- Ideal in applications with high temperatures or highly corrosive environments.

Standards

- UL 508A Type 1, 2, 3, 4, 4X, 12 and 13
- CSA Type 1, 2, 3, 4, 4X, 12 and 13
- Complies with
 - NEMA Type 1, 2, 3, 4, 4X, 12 and 13
 - IEC 60529, IP66

Construction

- Molded fiberglass polyester enclosure with matching cover is easily punched, cut, or drilled.
- Standard JIC sizes under 18" x 16".
- Threaded brass inserts are provided for optional inner panel or terminal kit mounting.
- Cover is fastened with captive stainless steel screws in threaded brass inserts.
- Captive oil resistant gasket provides a positive seal.
- Threaded brass inserts are provided for mounting feet to the rear of the enclosure.
- Stainless steel mounting brackets and hardware are provided for mounting to the rear of the enclosure.
- Enhanced UV inhibitors protect against outdoor weathering.
- Operating temperatures between 130°C and -40°C (266°F to -40°F).
- Impact index of 6.78J (5 ft/lb).
- For corrosion resistance information, please refer to table in Technical Information.

Finish

- Fiberglass polyester material has a gray finish.
- Optional inner panels are available in white powder coated finished steel or unfinished aluminum.

Accessories

- Additional Inner Panels...*See Page 294*
- Terminal Kit Assemblies...*See Page 302*
- Stainless Replacement Mounting Feet...*See Page 292*
- Hole Plugs...*See Page 289*

Lift Off Cover	Hinged Cover	No.	Enclosure			Optional Inner Panel		
30.5mm PB Part No.	30.5mm PB Part No.	Holes	H	W	D	Part No.	H	W
PJ664P4	PJ664HP4	4	6.10	6.10	4.18	14R0505	4.88	4.88
PJ864P6	PJ864HP6	6	8.00	6.12	4.13	14R0705	6.75	4.88
PJ1084P9	PJ1084HP9	9	10.13	8.26	4.13	14R0907	8.75	6.88
PJ1086P9	PJ1086HP9	9	10.13	8.26	6.13	14R0907	8.75	6.88
PJ1086P12	PJ1086HP12	12	10.13	8.26	6.13	14R0907	8.75	6.88
PJ12106P16	PJ12106HP16	16	12.13	10.26	6.13	14R1109	10.75	8.88
PJ12106P20	PJ12106HP20	20	12.13	10.26	6.13	14R1109	10.75	8.88
PJ14126P25	PJ14126HP25	25	14.13	12.26	6.13	14R1311	12.75	10.88
PJ16148P30	PJ16148HP30	30	16.27	14.40	8.13	14R1513	14.75	12.88
PJ18168P42	PJ18168HP42	42	18.40	16.40	8.13	P1868	16.88	14.88

Alternative inner panel options available.

Wireway & Trough

Wireway & Trough



Type 12 Lay-In Wireway
1485 Series
Wireway & Accessories 185



Type 12 Pull Through Wireway
1487 Series
Wireway & Accessories 190



Type 4X Pull Through Wireway
1487SS Series
Wireway & Accessories 194



Type 1 Lay-In Wireway
CW Series
Wireway & Accessories 197



Type 1 Galvanized Lay-In Wireway
CWG Series
Wireway & Accessories 199



Type 1 Gutter Trough
CGT Series 203



Type 3R Wiring Trough
C3RWT Series 204



Type 3R Galvanized Wiring Trough
C3RWTG Series 205



Type 4/12 Wiring Trough
1486 Series 206



Type 4X Wiring Trough
1486SS Series 207

Type 12 Lay-In Wireway *1485 Series*

Wireway & Accessories



Quick Link: hammfg.com/1485

Application

- Designed to enclose and protect electrical wiring from dirt, dust, oil and water.
- All sections and fittings are completely open on each side to allow wires and cables to be placed into the wireway without “pulling through”.

Standards

- UL 870 Type 1 (unless marked¹)
- CSA Type 1 (unless marked¹)
- Complies with
 - NEMA Type 12
 - IEC 60529, IP54

Construction

- Bodies and covers are formed from 14-gauge steel with 10 gauge steel flanges.
- Flanges are open at the top to allow cables to lay in when doors open.
- 12” x 6” size has a 12 gauge steel body with a 14-gauge cover.
- Smooth continuously welded seams.
- Interior surfaces are smooth to prevent wire damage during installation.
- Butt hinged cover is secured with easily operated quick release clamps.
- Oil resistant gaskets are permanently secured.
- Solid oil resistant gaskets are used between flanges when sections and fittings are bolted together.
- One gasket kit, complete with hardware is provided with each straight section or fitting.
- Sealing plate is supplied.
- Flange junctions are sealed with gasket sealing plates, which are put in place after wiring is completed. One is supplied with all straight sections and most fittings; see table for exact number.

Finish

- Sections and components are finished in ANSI 61 gray powder coating.

Notes

- When joining a wireway section or fitting to an enclosure be sure to order a box connector.
- When joining two wireway sections, or joining a wireway section to a fitting, a flat sealing plate is required at each junction; necessary kits are supplied with each section and fitting. See table, extra kits may be ordered if necessary.
- When joining a lay-in wireway section or fitting to a closure plate, a box connector, or cut-off fitting, an angle sealing plate is required at each junction.
- Necessary kits are supplied with each section and fitting - see table. Extra kits, although not normally required, are necessary when joining lay-in wireway to a non-lay-in section or fitting section.

Wireway & Trough

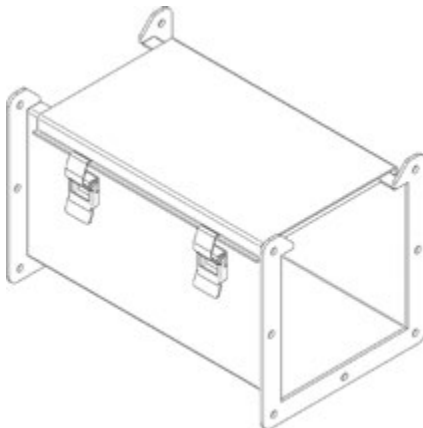
Description	Sealing Plates	2.5 x 2.5	4 x 4	6 x 6	8 x 8	12 x 6
	Supplied	Part No.	Part No.	Part No.	Part No.	Part No.
6" Section	1 Flat	1485B6	1485C6	1485D6	1485E6	1485F6
12" Section	1 Flat	1485B12	1485C12	1485D12	1485E12	1485F12
24" Section	1 Flat	1485B24	1485C24	1485D24	1485E24	1485F24
36" Section	1 Flat	1485B36	1485C36	1485D36	1485E36	1485F36
48" Section	1 Flat	1485B48	1485C48	1485D48	1485E48	1485F48
60" Section	1 Flat	1485B60	1485C60	1485D60	1485E60	1485F60
120" Section	1 Flat	1485B120	1485C120	1485D120	1485E120	1485F120

Description	Sealing Plates	2.5 x 2.5	4 x 4	6 x 6	8 x 8	12 x 6
	Supplied	Part No.	Part No.	Part No.	Part No.	Part No.
60" Long Partition (Barrier)	-	-	1487CB60 ¹	1487DB60 ¹	1487EB60 ¹	1487DB60 ¹
1" Nipple	1 Flat	1485BM1	1485CM1	1485DM1	-	-
2" Nipple	1 Flat	1485BM2	1485CM2	1485DM2	-	-
3" Nipple	1 Flat	1485BM3	1485CM3	1485DM3	-	-
Box Entry Swivel Nipple	1 Angle	1485BV1	1485CV1	1485DV1	1485EV1	-
Standard Swivel Nipple	2 Angle	1485BV2	1485CV2	1485DV2	1485EV2	-
12" Transposition Clockwise	1 Flat	1485BZ12	1485CZ12	1485DZ12	1485EZ12	-
12" Transposition Counter-Clockwise	1 Flat	1485BZC12	1485CZC12	1485DZC12	1485EZC12	-
Flexible Fitting	None	1485BFF	1485CFF	1485DFF	1485EFF	-
Adjustable Fitting	1 Spec.	1485BX ¹	1485CX ¹	1485DX ¹	1485EX ¹	1485FX ¹
Cut-Off Fitting Lay-In	1 Flat	1485BW1 ¹	1485CW1 ¹	1485DW1 ¹	1485EW1 ¹	1485FW1 ¹
Cut-Off Fitting Non Lay-In	1 Angle	1485BW2 ¹	1485CW2 ¹	1485DW2 ¹	1485EW2 ¹	1485FW2 ¹
90° Elbow, Top Opening	1 Flat	1485B9N	1485C9N	1485D9N	1485E9N	1485F9N
90° Elbow, Inside Opening	1 Flat	1485B9P	1485C9P	1485D9P	1485E9P	1485F9P
90° Elbow, Outside Opening	1 Flat	1485B9Q	1485C9Q	1485D9Q	1485E9Q	1485F9Q
45° Elbow, Top Opening	1 Flat	1485B4N	1485C4N	1485D4N	1485E4N	1485F4N
45° Elbow, Inside Opening	1 Flat	1485B4P	1485C4P	1485D4P	1485E4P	-
45° Elbow, Outside Opening	1 Flat	1485B4Q	1485C4Q	1485D4Q	1485E4Q	-
Tee Fitting, Top Opening	2 Flat	1485BTN	1485CTN	1485DTN	1485ETN	1485FTN
Tee Fitting, Outside & Top Opening	2 Flat	1485BTQ	1485CTQ	1485DTQ	1485ETQ	-
Cross Fitting	3 Flat	1485BY	1485CY	1485DY	1485EY	1485FY
Reducer 4 x 4 to 2.5 x 2.5	None	-	1485CRE	-	-	-
Reducer 6 x 6 to 4 x 4	None	-	-	1485DRE	-	-
Reducer 8 x 8 to 6 x 6	None	-	-	-	1485ERE	-
Reducer 12 x 6 to 4 x 4	None	-	-	-	-	1485FREC
Reducer 12 x 6 to 6 x 6	None	-	-	-	-	1485FRED
Junction Box	1 Flat	1485BJ	1485CJ	1485DJ	1485EJ	-
Box Connector	1 Angle	1485BK ¹	1485CK ¹	1485DK ¹	1485EK ¹	1485FK ¹
Drop Hanger	None	1485BL1 ¹	1485CL1 ¹	1485DL1 ¹	1485EL1 ¹	-
Bracket Hanger	None	1485BL2 ¹	1485CL2 ¹	1485DL2 ¹	1485EL2 ¹	-
Cover Plate	1 Angle	1485BH ²	1485CH ²	1485DH ²	1485EH ²	1485FH ²
Snap On Flat Sealing Plate	None	1485BSM ²	1485CSM ²	1485DSM ²	1485ESM ²	1485FSM ²
Angle Sealing Plate	None	1485BS9 ²	1485CS9 ²	1485DS9 ²	1485ES9 ²	1485FS9 ²

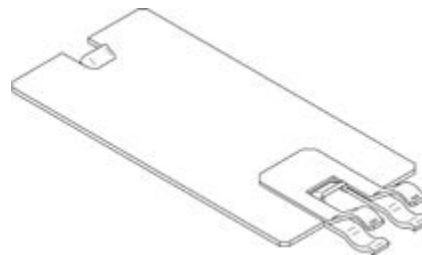
¹ Does not meet CSA or UL requirement

² Maintains ratings on CSA and UL approved wireway

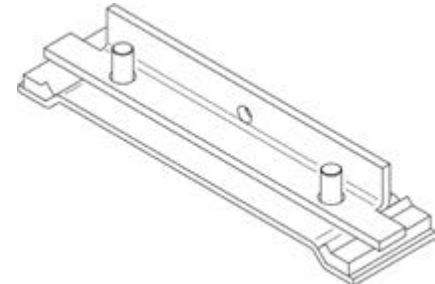
Typical Straight Section



Flat Sealing Plate

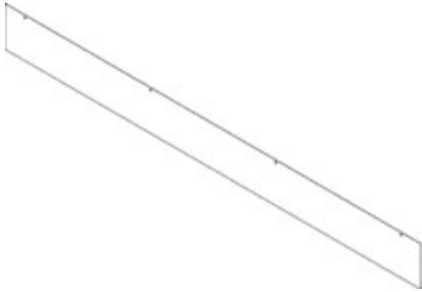


Angle Sealing Plate

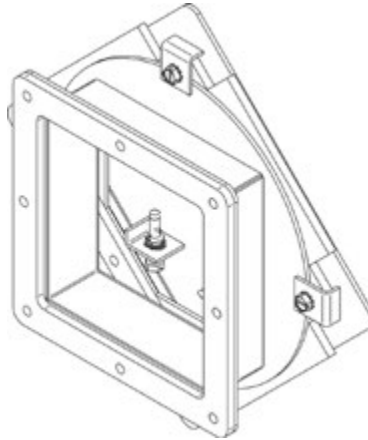

 Technical references and CAD downloads available at www.hammondmfg.com

All dimensions in inches unless specified otherwise

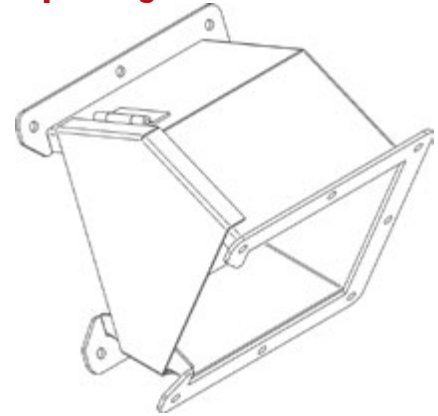
Barrier Kit



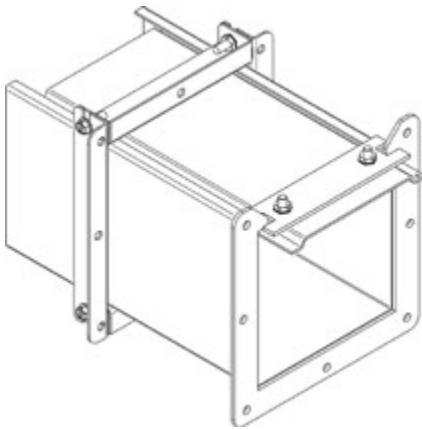
Swivel Nipple



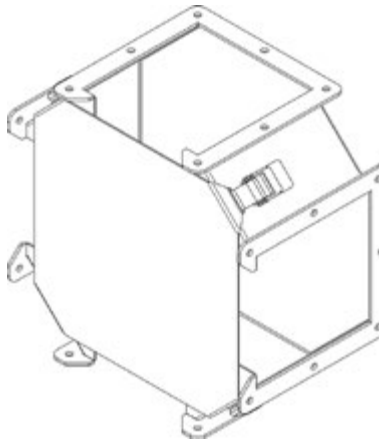
45 degree Elbow Top Opening



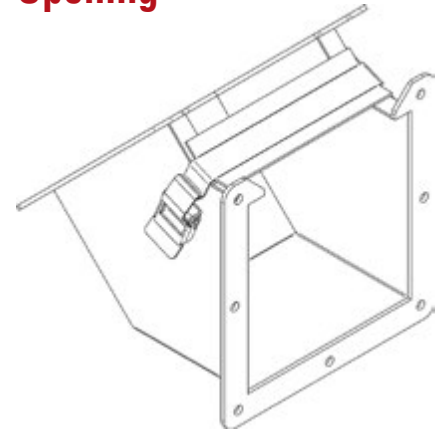
Adjustable Fitting



Cross Fitting



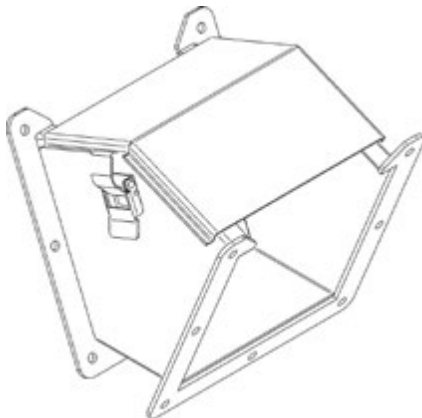
45 degree Elbow Inside Opening



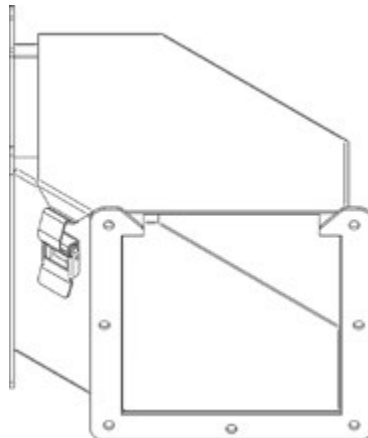
- Allows on site length adjustment of 2" to 7"

Wireway & Trough

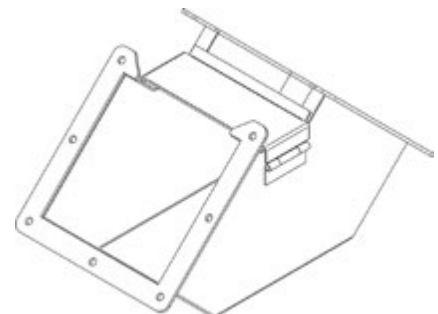
45 degree Elbow Outside Opening



90 degree Elbow Top Opening



90 degree Elbow Inside Opening

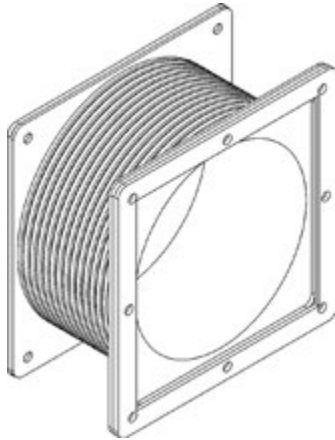


Technical references and CAD downloads available at www.hammondmfg.com

All dimensions in inches unless specified otherwise

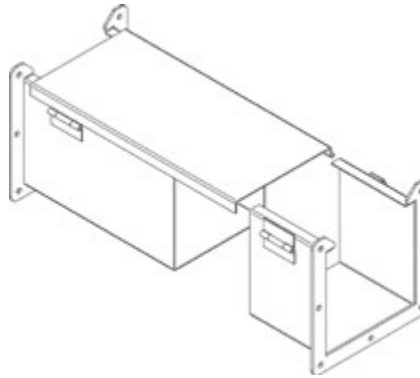
Quality Products. Service Excellence.

Flexible Fitting



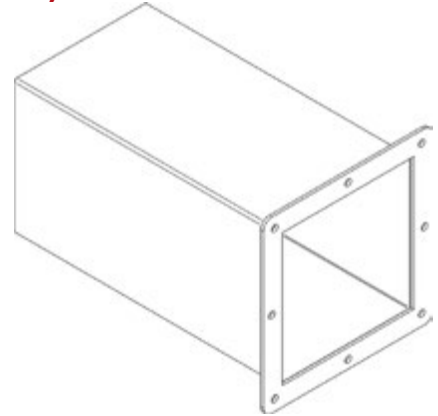
- Allows for easy alignment of sections or fittings
- Metal flanges
- Flexible synthetic “bellows” middle section

Cut-Off Fitting (Lay-In)



- Body comes in two pieces. Cut-off one piece, shorten cover, and weld together.
- Includes angle sealing plate.

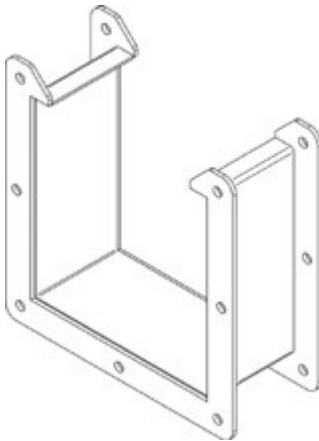
Cut-Off Fitting (Non Lay-In)



- For lengths up to 12”. Cut off body and weld on flange.

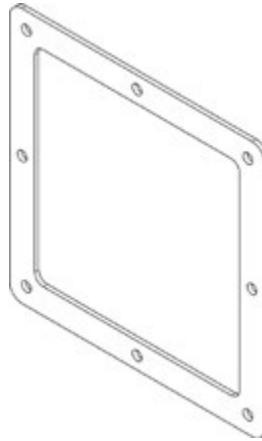
Wireway & Trough

Nipple



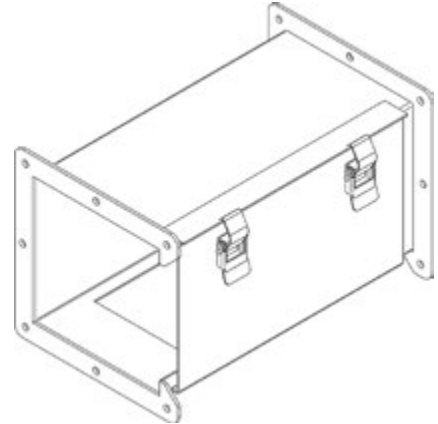
- Lay-in nipples come with a special sealing plate which cannot be used adjacent to swivel nipples (use 1487 Series nipples)

Box Connector



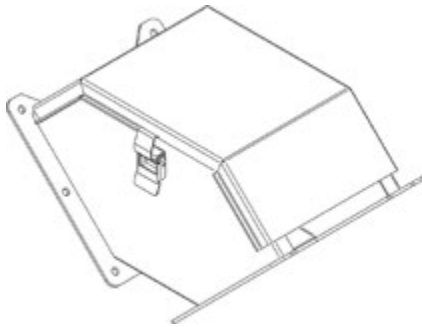
- Use inside box when entering with “Lay-In” Wireway.

12” Transposition Sections Clockwise &

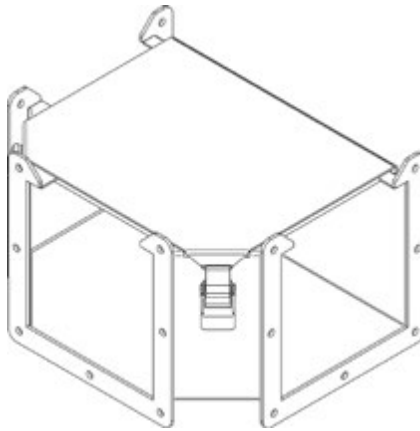


- Used to rotate the open side of a wireway run by 90° and maintain the lay-in feature

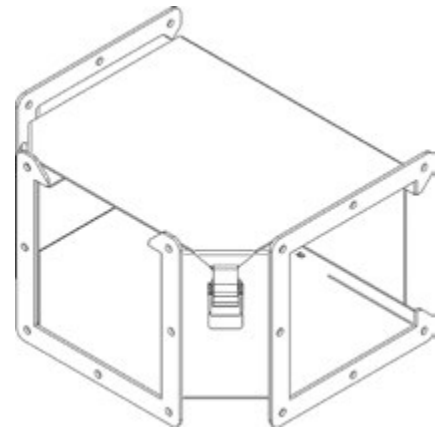
**90 degree Elbow
Outside Opening**



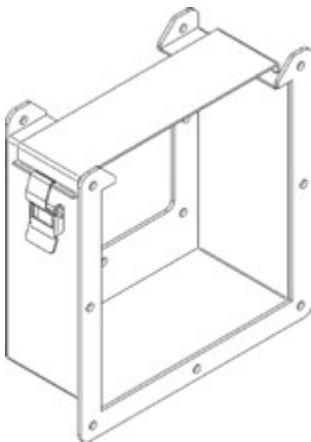
Tee Fitting Top Opening



**Tee Fitting Outside and
Top Opening**



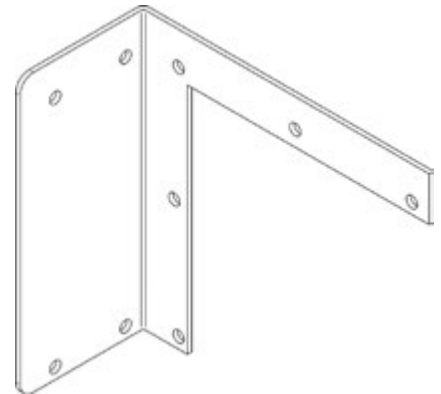
Reducers



Drop Hanger

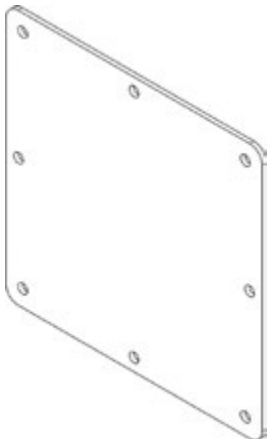


Bracket Hanger

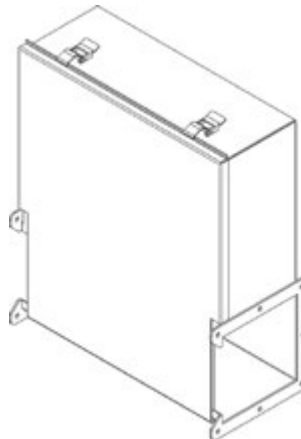


Wireway & Trough

Cover Plate



Junction Box



Type 12 Pull Through Wireway 1487 Series

Wireway & Accessories



Standards

- UL 870 Type 1, 12 (unless marked¹)
- CSA Type 1, 12 (unless marked¹)
- Complies with
 - NEMA Type 1, 12
 - IEC 60529, IP54

Construction

- Bodies and covers are formed from 14 gauge steel with 10 gauge steel flanges.
- Continuous flange around wireway ends, requires cables to be pulled through. (For lay-in style, see 1485 Series.)
- Smooth continuously welded seams.
- Interior surfaces are smooth to prevent wire damage during installation.
- Butt hinged covers are secured with easily operated screw clamps.
- Oil resistant gaskets are permanently secured.
- Solid oil resistant gaskets are used between flanges when sections and fittings are bolted together.
- One gasket kit, complete with hardware is provided with each straight section or fitting.

Finish

- Sections and fittings are finished in ANSI 61 gray.

Quick Link: hammfg.com/1487

Application

- Designed to enclose and protect electrical wiring from dirt, dust, oil and water.
- Ideal for connecting machines to control panels or power sources.

Description	2.5 x 2.5	4 x 4	6 x 6	8 x 8
	Part No.	Part No.	Part No.	Part No.
12" Section	1487B12	1487C12	1487D12	1487E12
24" Section	1487B24	1487C24	1487D24	1487E24
36" Section	1487B36	1487C36	1487D36	1487E36
48" Section	1487B48	1487C48	1487D48	1487E48
60" Section	1487B60	1487C60	1487D60	1487E60
120" Section	1487B120	1487C120	1487D120	1487E120
60" Long Partition (Barrier)	-	1487CB60 ¹	1487DB60 ¹	1487EB60 ¹
1" Nipple	1487BM1	1487CM1	1487DM1	1487EM1
2" Nipple	1487BM2	1487CM2	1487DM2	1487EM2
3" Nipple	1487BM3	1487CM3	1487DM3	1487EM3
6" Nipple	1487BM6	1487CM6	1487DM6	1487EM6
Box Entry Swivel Nipple	1487BV1	1487CV1	1487DV1	1487EV1
Standard Swivel Nipple	1487BV2	1487CV2	1487DV2	1487EV2
Flexible Fitting	1485BFF ¹	1485CFF ¹	1485DFF ¹	1485EFF ¹
Adjustable Fitting	1487BX ¹	1487CX ¹	1487DX ¹	1487EX ¹
Cut-Off Fitting	1487BW ¹	1487CW ¹	1487DW ¹	1487EW ¹
90° Elbow	1487B9P	1487C9P	1487D9P	1487E9P
45° Elbow	1487B4P	1487C4P	1487D4P	1487E4P
22.5° Elbow	1487B2P	1487C2P	1487D2P	1487E2P
Tee Fitting	1487BT	1487CT	1487DT	1487ET
Cross Fitting	1487BY	1487CY	1487DY	1487EY

Technical references and CAD downloads available at www.hammondmfg.com

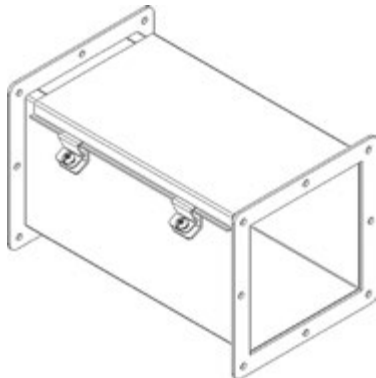
All dimensions in inches unless specified otherwise

Description	2.5 x 2.5 Part No.	4 x 4 Part No.	6 x 6 Part No.	8 x 8 Part No.
Center Hole Reducers				
Reducer - 4 x 4 to 2.5 x 2.5	-	1487CRC ²	-	-
Reducer - 6 x 6 to 4 x 4	-	-	1487DRC ²	-
Reducer - 8 x 8 to 4 x 4	-	-	-	1487ERCC ²
Reducer - 8 x 8 to 6 x 6	-	-	-	1487ERCD ²
Edge Hole Reducers				
Reducer 4 x 4 to 2.5 x 2.5	-	1487CRE ²	-	-
Reducer 6 x 6 to 4 x 4	-	-	1487DRE ²	-
Reducer 8 x 8 to 4 x 4	-	-	-	1487EREC ²
Reducer 8 x 8 to 6 x 6	-	-	-	1487ERED ²
Box Connector	1487BK ¹	1487CK ¹	1487DK ¹	1487EK ¹
Drop Hanger	1485BL1 ¹	1485CL1 ¹	1485DL1 ¹	1485EL1 ¹
Bracket Hanger	1485BL2 ¹	1485CL2 ¹	1485DL2 ¹	1485EL2 ¹
Cover Plate	1487BH ²	1487CH ²	1487DH ²	1487EH ²
Gasket & Screws	1487BS ¹	1487CS ¹	1487DS ¹	1487ES ¹

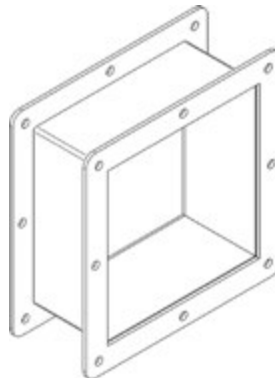
¹ Does not meet CSA or UL requirements

² Maintains ratings on CSA and UL approved wireway

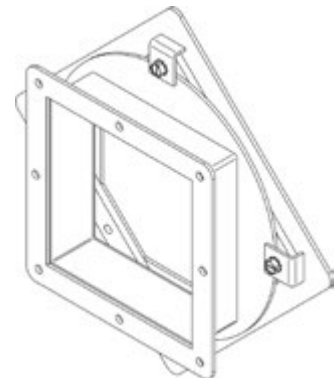
Typical Straight Section



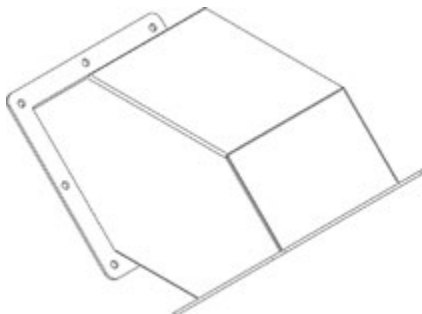
Nipple



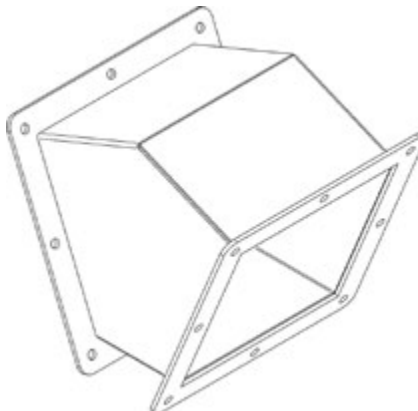
Swivel Nipple



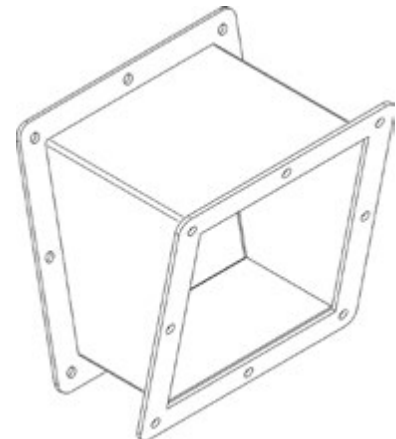
90 degree Elbow



45 degree Elbow



22.5 degree Elbow

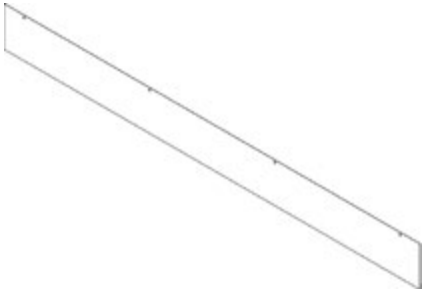


Technical references and CAD downloads available at www.hammondmfg.com

All dimensions in inches unless specified otherwise

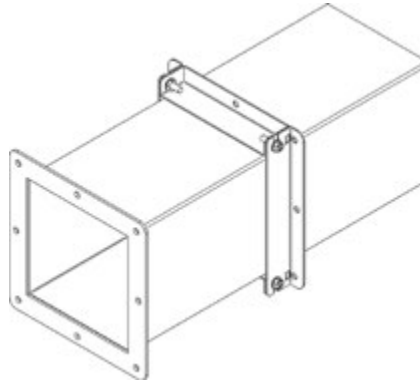
Quality Products. Service Excellence.

Barrier Kit



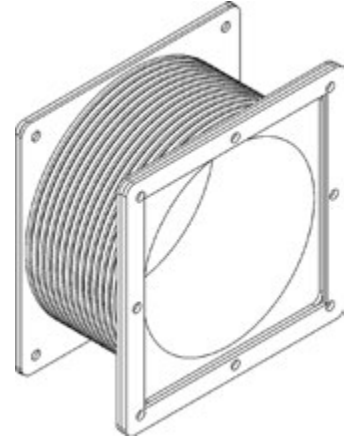
- Divides wireway into two or more compartments. Barriers are fastened to wireway sections with screws.

Adjustable Fitting



- Allows on site length adjustment of 1.5" to 13.5"

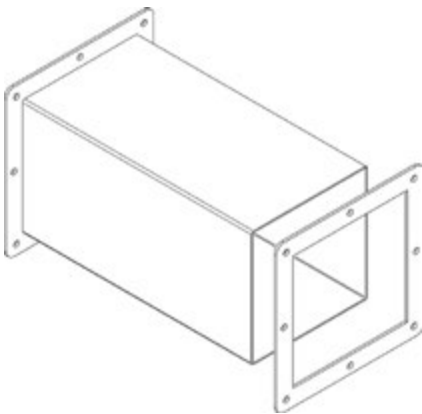
Flexible Fitting



- Allows for easy alignment of sections or fittings
- Metal flanges
- Flexible synthetic "bellows" middle section

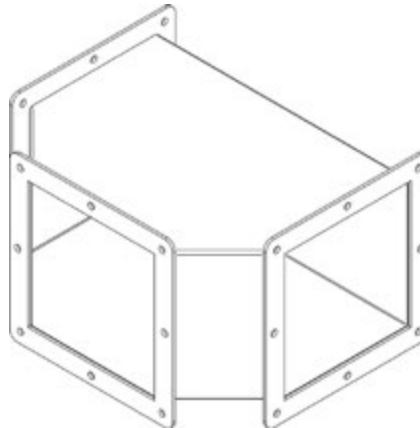
Wireway & Trough

Cut-Off Fitting (Lay-In)

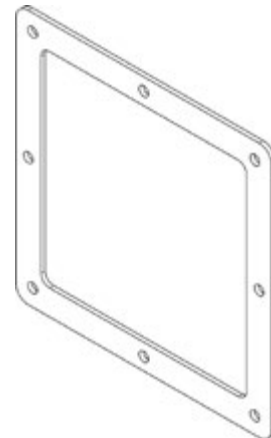


- Body comes in two pieces. Cut-off one piece, shorten cover, and weld together.

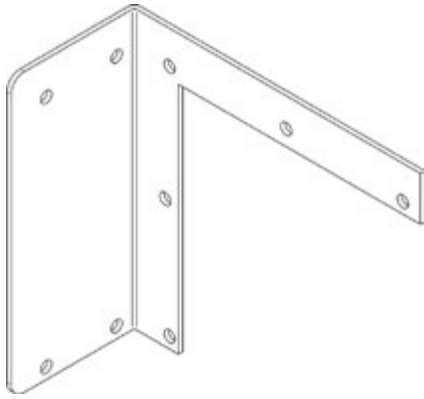
Tee Fitting



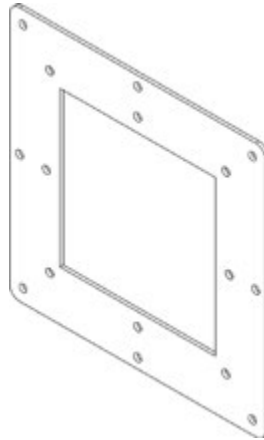
Box Connector



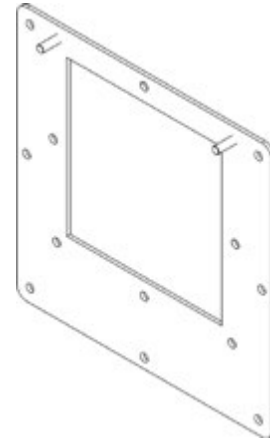
Bracket Hanger



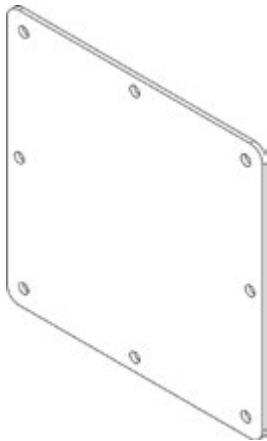
Reducers (Center Hole)



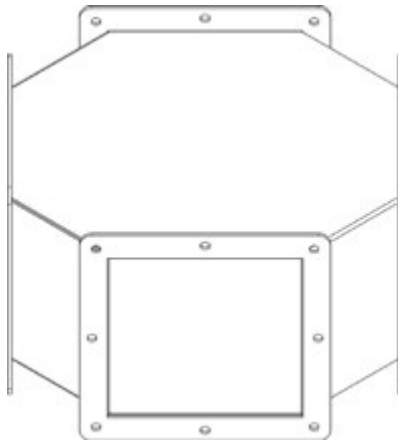
Reducers (Edge Hole)



Cover Plate



Cross Fitting



Drop Hanger



Wireway & Trough

Type 4X Pull Through Wireway *1487SS Series*

Wireway & Accessories



Quick Link: hammfg.com/1487SS

Application

- Designed to enclose and protect electrical wiring from dirt, dust, oil and water.
- Ideal for connecting machines to control panels or power sources.

Standards

- UL 870 Type 1, 12, 4, 4X (unless marked¹)
- CSA Type 1, 12, 4, 4X (unless marked¹)
- Complies with
 - NEMA Type 1, 12, 4, 4X (unless marked¹)
 - IEC 60529, IP66

Construction

- Bodies and covers are formed from 14 gauge 304 stainless steel with 10 gauge flanges.
- Continuous flange around wireway ends, requires cables to be pulled through.
- Smooth continuously welded seams.
- Interior surfaces are smooth to prevent wire damage during installation.
- Butt hinged covers are secured with easily operated screw clamps.
- Oil resistant gaskets are permanently secured.
- Solid oil resistant gaskets are used between flanges when sections and fittings are bolted together.
- One gasket kit, complete with hardware is provided with each straight section or fitting.

Finish

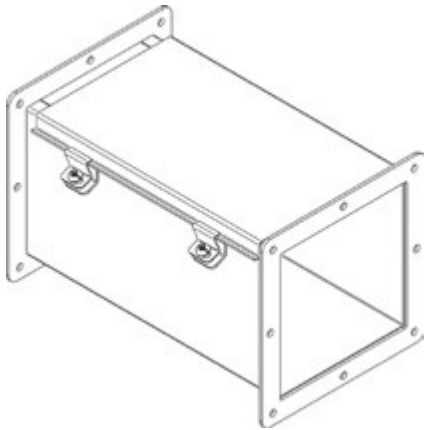
- Sections and fittings are natural stainless steel with a smooth brushed finish.

	4 x 4	6 x 6	8 x 8
Description	Part No.	Part No.	Part No.
12" Section	1487C12SS	1487D12SS	1487E12SS
24" Section	1487C24SS	1487D24SS	1487E24SS
36" Section	1487C36SS	1487D36SS	1487E36SS
48" Section	1487C48SS	1487D48SS	1487E48SS
60" Section	1487C60SS	1487D60SS	1487E60SS
120" Section	1487C120SS	1487D120SS	1487E120SS
6" Nipple	1487CM6SS	1487DM6SS	1487EM6SS
Standard Swivel Nipple	1487CV2SS	1487DV2SS	1487EV2SS
Flexible Fitting	1487CFFSS ¹	1487DFFSS ¹	1487EFFSS ¹
Adjustable Fitting	1487CXSS ¹	1487DXSS ¹	1487EXSS ¹
90° Elbow	1487C9PSS	1487D9PSS	1487E9PSS
45° Elbow	1487C4PSS	1487D4PSS	1487E4PSS
Tee Fitting	1487CTSS	1487DTSS	1487ETSS
Center Hole Reducers			
Reducer - 6 x 6 to 4 x 4	-	1487DRCSS ²	-
Reducer - 8 x 8 to 4 x 4	-	-	1487ERCSS ²
Reducer - 8 x 8 to 6 x 6	-	-	1487ERCDS ²
Edge Hole Reducers			
Reducer 6 x 6 to 4 x 4	-	1487DRESS ²	-
Reducer 8 x 8 to 4 x 4	-	-	1487ERECSS ²
Reducer 8 x 8 to 6 x 6	-	-	1487EREDSS ²
Box Connector	1487CKSS ¹	1487DKSS ¹	1487EKSS ¹
Drop Hanger	1487CL1SS ¹	1487DL1SS ¹	1487EL1SS ¹
Bracket Hanger	1487CL2SS ¹	1487DL2SS ¹	1487EL2SS ¹
Cover Plate	1487CHSS ²	1487DHSS ²	1487EHSS ²
Gasket & Screws	1487CSSS ¹	1487DSSS ¹	1487ESSS ¹

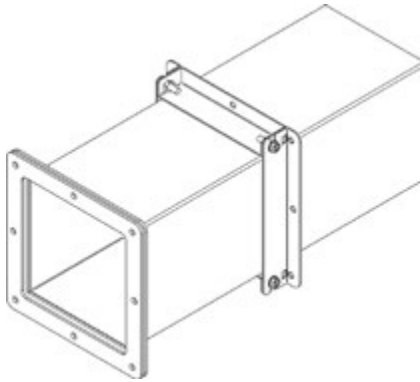
¹ Does not meet CSA or UL requirements

² Maintains ratings on CSA and UL approved wireway

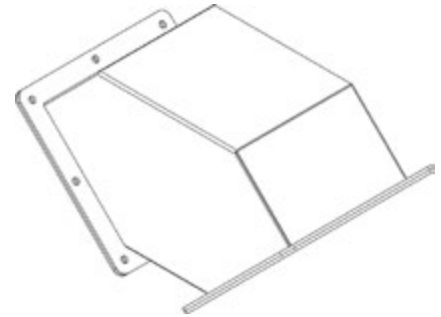
Typical Straight Section



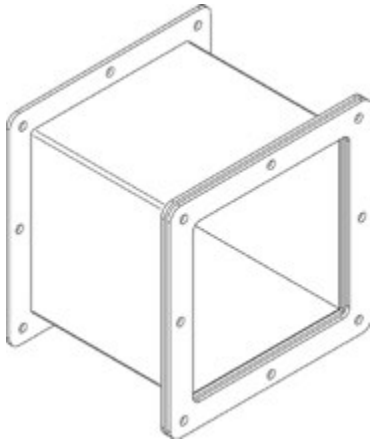
Adjustable Fitting



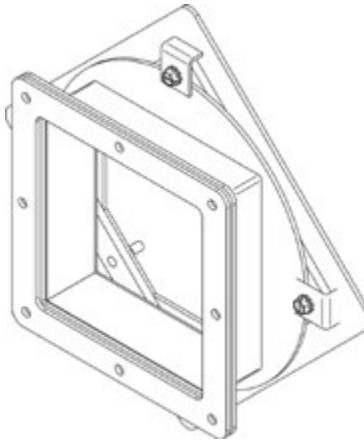
90 Degree Elbow



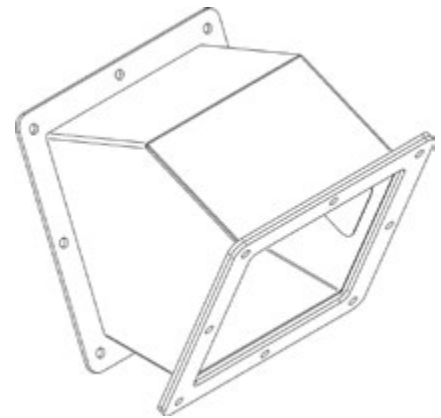
Nipple



Swivel Nipple

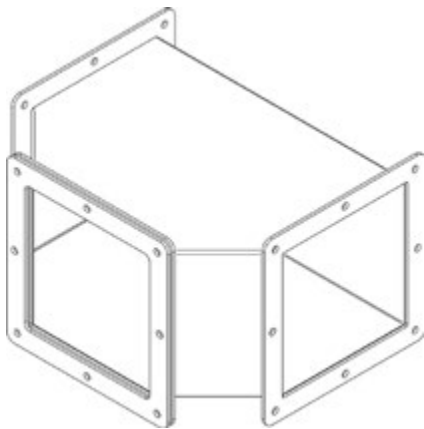


45 Degree Elbow

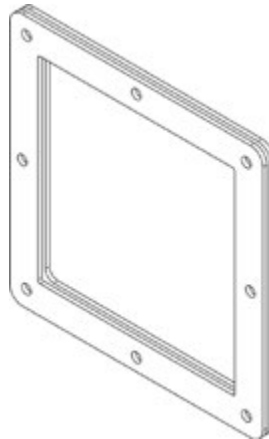


Wireway & Trough

Tee Fitting



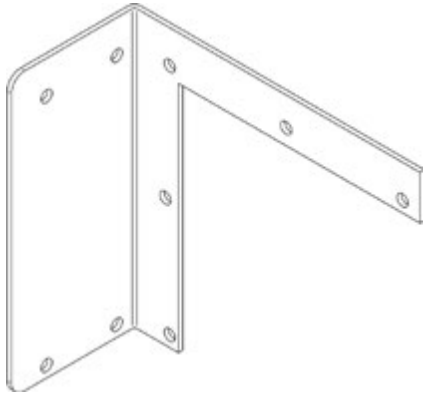
Box Connector



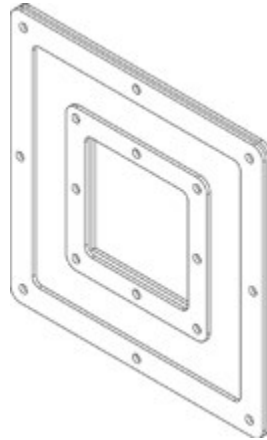
Drop Hanger



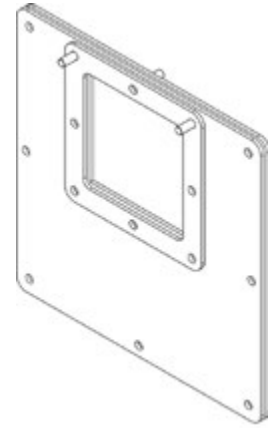
Bracket Hanger



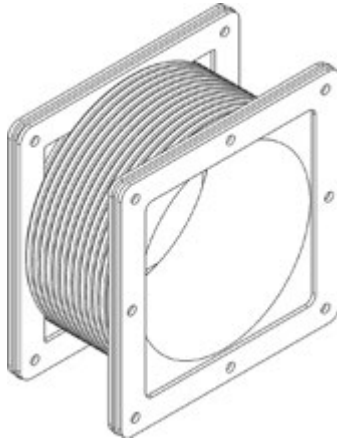
Reducers (Center Hole)



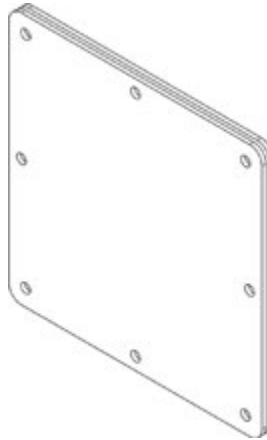
Reducers (Edge Hole)



Flexible Fitting



Cover Plate

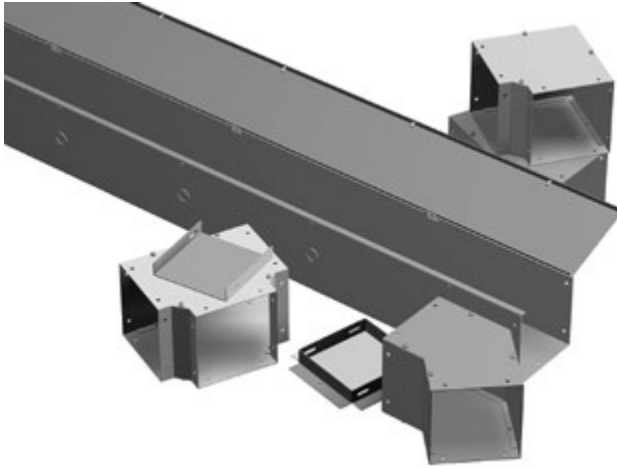


Wireway & Trough

- Allows for easy alignment of sections or fittings
- Metal flanges
- Flexible synthetic “bellows” middle section

Type 1 Lay-In Wireway *CW Series*

Wireway & Accessories



Quick Link: hammfg.com/CW

Application

- Construction designed to ensure electrical continuity and to permit fast and easy indoor installation of multiple wireway runs.

Standards

- UL-50 Type 1
- cUL Type 1
- Complies with
 - IEC 60529, IP20

Construction - Screw Cover

- Formed from 16 or 14 gauge steel
- Flat covers have keyhole screw slots
- Available with or without knockouts
- Straight sections are provided with adequate concentric knockouts (1/2", 3/4" conduit size)
- Unobstructed interior speeds up laying of cables
- Optional hanger brackets allow for vertical or horizontal mounting
- Joiners sold separately

Construction - Hinge Cover

- Formed from 16 or 14 gauge steel
- Hinge covers are hinged on 24" centers
- Available with or without knockouts
- Straight sections are provided with adequate concentric knockouts (1/2", 3/4" conduit size)
- Knockouts are on 12" centers
- Joiner is included with each straight section
- Unobstructed interior speeds up laying of cables
- Optional hanger brackets allow for vertical or horizontal mounting

Finish

- Sections and components are finished in ANSI 61 gray. Couplings are unpainted galvanized

Wireway & Trough

Screw Cover - Straight Section

Length	Knock Outs	2.5 x 2.5	4 x 4	6 x 6	8 x 8	10 x 10	12 x 12
12.00	w/KO	CWSC212	CWSC412	CWSC612	CWSC812	-	CWSC1212
18.00	w/KO	-	-	-	-	-	-
24.00	w/KO	CWSC224	CWSC424	CWSC624	CWSC824	-	CWSC1224
36.00	w/KO	CWSC236	CWSC436	CWSC636	CWSC836	-	CWSC1236
48.00	w/KO	CWSC248	CWSC448	CWSC648	CWSC848	-	CWSC1248
60.00	w/KO	CWSC260	CWSC460	CWSC660	CWSC860	-	CWSC1260
72.00	w/KO	-	CWSC472	CWSC672	-	-	-
96.00	w/KO	-	-	-	-	-	-
120.00	w/KO	CWSC2120	CWSC4120	CWSC6120	CWSC8120	-	-
12.00	No KO	CWSC212NK	CWSC412NK	CWSC612NK	CWSC812NK	CWSC1012NK	CWSC1212NK
18.00	No KO	-	CWSC418NK	CWSC618NK	CWSC818NK	-	-
24.00	No KO	CWSC224NK	CWSC424NK	CWSC624NK	CWSC824NK	CWSC1024NK	CWSC1224NK
36.00	No KO	CWSC236NK	CWSC436NK	CWSC636NK	CWSC836NK	CWSC1036NK	CWSC1236NK
48.00	No KO	CWSC248NK	CWSC448NK	CWSC648NK	CWSC848NK	CWSC1048NK	CWSC1248NK
60.00	No KO	CWSC260NK	CWSC460NK	CWSC660NK	CWSC860NK	CWSC1060NK	CWSC1260NK
72.00	No KO	-	CWSC472NK	CWSC672NK	CWSC872NK	CWSC1072NK	CWSC1272NK
96.00	No KO	-	-	-	-	CWSC1096NK	CWSC1296NK
120.00	No KO	CWSC2120NK	CWSC4120NK	CWSC6120NK	CWSC8120NK	CWSC10120NK	CWSC12120NK

Type 1 Lay-In Wireway *CW Series*

Wireway & Accessories

Hinge Cover - Straight Section

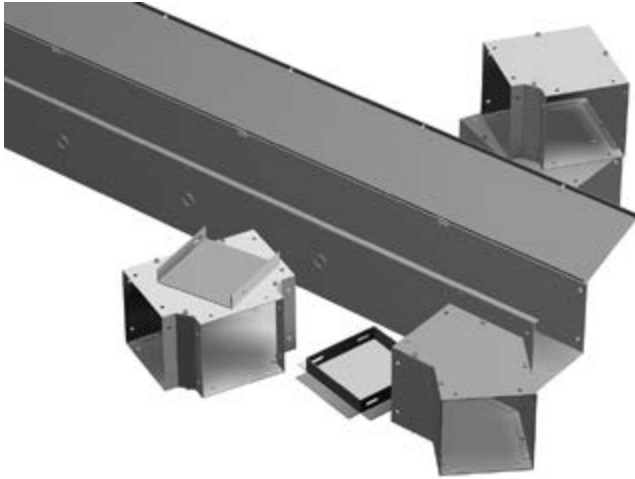
Length	Knock Outs	2.5 x 2.5	4 x 4	6 x 6	8 x 8	10 x 10	12 x 12
12.00	w/KO	CWST212	CWST412	CWST612	CWST812	-	-
18.00	w/KO	-	-	-	-	-	-
24.00	w/KO	CWST224	CWST424	CWST624	CWST824	-	-
36.00	w/KO	CWST236	CWST436	CWST636	CWST836	-	-
48.00	w/KO	CWST248	CWST448	CWST648	CWST848	-	-
60.00	w/KO	CWST260	CWST460	CWST660	CWST860	-	-
72.00	w/KO	CWST272	CWST472	CWST672	CWST872	-	-
96.00	w/KO	CWST296	CWST496	CWST696	CWST896	-	-
120.00	w/KO	CWST2120	CWST4120	CWST6120	CWST8120	-	-
12.00	No KO	CWST212NK	CWST412NK	CWST612NK	CWST812NK	CWST1012NK	CWST1212NK
18.00	No KO	-	CWST418NK	CWST618NK	CWST818NK	-	-
24.00	No KO	CWST224NK	CWST424NK	CWST624NK	CWST824NK	CWST1024NK	CWST1224NK
36.00	No KO	CWST236NK	CWST436NK	CWST636NK	CWST836NK	CWST1036NK	CWST1236NK
48.00	No KO	CWST248NK	CWST448NK	CWST648NK	CWST848NK	CWST1048NK	CWST1248NK
60.00	No KO	CWST260NK	CWST460NK	CWST660NK	CWST860NK	CWST1060NK	CWST1260NK
72.00	No KO	-	CWST472NK	CWST672NK	CWST872NK	CWST1072NK	CWST1272NK
96.00	No KO	-	CWST496NK	CWST696NK	CWST896NK	CWST1096NK	CWST1296NK
120.00	No KO	CWST2120NK	CWST4120NK	CWST6120NK	CWST8120NK	CWST10120NK	CWST12120NK

Wireway & Trough

Accessories	2.5 x 2.5	4 x 4	6 x 6	8 x 8	10 x 10	12 x 12
Straight Section Barrier 60"	CWBA260	CWBA460	CWBA660	CWBA860	-	-
Elbow 90 degrees	CWEL290	CWEL490	CWEL690	CWEL890	CWEL1090	CWEL1290
Elbow 45 degrees	CWEL245	CWEL445	CWEL645	CWEL845	CWEL1045	CWEL1245
Elbow 22.5 degrees	CWEL222	CWEL422	CWEL622	CWEL822	-	-
Tee Fitting	CWTF2	CWTF4	CWTF6	CWTF8	CWTF10	CWTF12
Cross Fitting	CWCF2	CWCF4	CWCF6	CWCF8	CWCF10	CWCF12
Reducer 4 x 4 to 2.5 x 2.5	-	CWRD42	-	-	-	-
Reducer 6 x 6 to 4 x 4	-	-	CWRD64	-	-	-
Reducer 8 x 8 to 6 x 6	-	-	-	CWRD86	-	-
Reducer 10 x 10 to 8 x 8	-	-	-	-	CWRD108	-
Reducer 12 x 12 to 8 x 8	-	-	-	-	-	CWRD128
Reducer 12 x 12 to 10 x 10	-	-	-	-	-	CWRD1210
Corner Reducer 4 x 4 to 2.5 x 2.5	-	CWCRD42	-	-	-	-
Corner Reducer 6 x 6 to 4 x 4	-	-	CWCRD64	-	-	-
Corner Reducer 8 x 8 to 6 x 6	-	-	-	CWCRD86	-	-
Bracket Hanger Ceiling Type	CWHD2	CWHD4	CWHD6	CWHD8	CWHD10	CWHD12
Bracket Hanger Wall Type	CWHW2	CWHW4	CWHW6	CWHW8	CWHW10	CWHW12
Closing Plate	CWCP2	CWCP4	CWCP6	CWCP8	CWCP10	CWCP12
Closing Plate w/o Knockouts	CWCP2NK	CWCP4NK	CWCP6NK	CWCP8NK	CWCP10NK	CWCP12NK
Adapter (Box Connector)	CWAD2	CWAD4	CWAD6	CWAD8	CWAD10	CWAD12
Joiner	CWJO2	CWJO4	CWJO6	CWJO8	CWJO10	CWJO12
Telescope Fitting	CWTL2	CWTL4	CWTL6	CWTL8	CWTL10	CWTL12

Type 1 Galvanized Lay-In Wireway *CWG Series*

Wireway & Accessories



Quick Link: hammfg.com/CWG

Application

- Construction designed to ensure electrical continuity and to permit fast and easy indoor installation of multiple wireway runs.

Standards

- UL-50 Type 1
- cUL Type 1
- Complies with
 - IEC 60529, IP20

Construction

- Formed from 16 or 14 gauge unpainted G90 galvanized steel
- Flat covers have keyhole screw slots
- Straight sections are offered with/without adequate concentric knockouts (1/2", 3/4" conduit size)
- Unobstructed interior speeds up laying of cables
- Optional hanger brackets allow for vertical or horizontal mounting
- Joiners sold separately

Finish

- Sections, components, and couplings are unpainted galvanized

Accessories

- Type 1 Lay In Screw Cover Wireway...*See Page 201*
- Joiner...*See Page 201*
- Reducer...*See Page 202*
- Cross Fitting...*See Page 201*
- Tee Fitting...*See Page 201*
- Telescope Fitting...*See Page 202*
- 90 degree Elbow...*See Page 202*
- 45 degree Elbow...*See Page 202*
- Bracket Hanger Wall Type...*See Page 202*
- Closing Plate...*See Page 202*
- Closing Plate - w/o Knockouts...*See Page 202*
- Adapter (Box Connector)...*See Page 202*

Type 1 Galvanized Lay-In Wireway *CWG Series*

Wireway & Accessories

Screw Cover - Straight Section

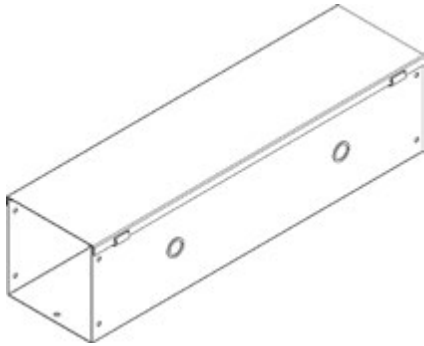
Length	Knock Outs	2.5 x 2.5	4 x 4	6 x 6	8 x 8	10 x 10	12 x 12
12.00	w/KO	CWSC212G	CWSC412G	CWSC612G	CWSC812G		CWSC1212G
24.00	w/KO	CWSC224G	CWSC424G	CWSC624G	CWSC824G		CWSC1224G
36.00	w/KO	CWSC236G	CWSC436G	CWSC636G	CWSC836G		CWSC1236G
48.00	w/KO	CWSC248G	CWSC448G	CWSC648G	CWSC848G		CWSC1248G
60.00	w/KO	CWSC260G	CWSC460G	CWSC660G	CWSC860G		CWSC1260G
72.00	w/KO		CWSC472G	CWSC672G	CWSC872G		
120.00	w/KO	CWSC2120G	CWSC4120G	CWSC6120G	CWSC8120G		
12.00	No KO	CWSC212GNK	CWSC412GNK	CWSC612GNK	CWSC812GNK	CWSC1012GNK	CWSC1212GNK
18.00	No KO		CWSC418GNK	CWSC618GNK	CWSC818GNK		
24.00	No KO	CWSC224GNK	CWSC424GNK	CWSC624GNK	CWSC824GNK	CWSC1024GNK	CWSC1224GNK
36.00	No KO	CWSC236GNK	CWSC436GNK	CWSC636GNK	CWSC836GNK	CWSC1036GNK	CWSC1236GNK
48.00	No KO	CWSC248GNK	CWSC448GNK	CWSC648GNK	CWSC848GNK	CWSC1048GNK	CWSC1248GNK
60.00	No KO	CWSC260GNK	CWSC460GNK	CWSC660GNK	CWSC860GNK	CWSC1060GNK	CWSC1260GNK
72.00	No KO		CWSC472GNK	CWSC672GNK	CWSC872GNK	CWSC1072GNK	CWSC1272GNK
96.00	No KO					CWSC1096GNK	CWSC1296GNK
120.00	No KO	CWSC2120GNK	CWSC4120GNK	CWSC6120GNK	CWSC8120GNK	CWSC10120GNK	CWSC12120GNK

Fittings/Components

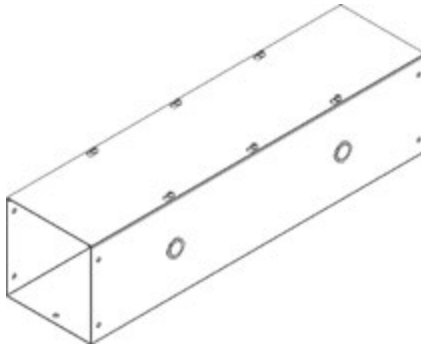
Accessories	2.5 x 2.5	4 x 4	6 x 6	8 x 8	10 x 10	12 x 12
Elbow 90 degrees - Galv	CWEL290G	CWEL490G	CWEL690G	CWEL890G	CWEL1090G	CWEL1290G
Elbow 45 degrees - Galv	CWEL245G	CWEL445G	CWEL645G	CWEL845G	CWEL1045G	CWEL1245G
Tee Fitting - Galv	CWTF2G	CWTF4G	CWTF6G	CWTF8G	CWTF10G	CWTF12G
Cross Fitting - Galv	CWCF2G	CWCF4G	CWCF6G	CWCF8G	CWCF10G	CWCF12G
Reducer 4 x 4 to 2.5 x 2.5 - Galv		CWRD42G				
Reducer 6 x 6 to 4 x 4 - Galv			CWRD64G			
Reducer 8 x 8 to 6 x 6 - Galv				CWRD86G		
Reducer 10 x 10 to 8 x 8 - Galv					CWRD108G	
Reducer 12 x 12 to 10 x 10 - Galv						CWRD1210G
Bracket Hanger Wall Type - Galv	CWHW2G	CWHW4G	CWHW6G	CWHW8G	CWHW10G	CWHW12G
Closing Plate - Galv	CWCP2G	CWCP4G	CWCP6G	CWCP8G	CWCP10G	CWCP12G
Closing Plate w/o Knockouts - Galv	CWCP2GNK	CWCP4GNK	CWCP6GNK	CWCP8GNK	CWCP10GNK	CWCP12GNK
Adapter (Box Connector) - Galv	CWAD2G	CWAD4G	CWAD6G	CWAD8G	CWAD10G	CWAD12G
Joiner	CWJO2	CWJO4	CWJO6	CWJO8	CWJO10	CWJO12
Telescope Fitting - Galv	CWTL2G	CWTL4G	CWTL6G	CWTL8G	CWTL10G	CWTL12G

Wireway & Trough

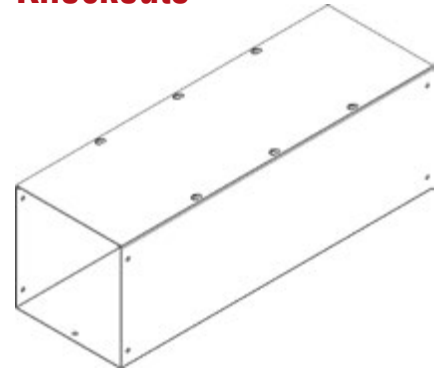
**Type 1 Lay In Hinge
Cover Wireway**



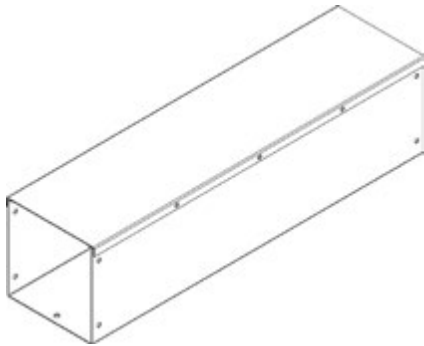
**Type 1 Lay In Screw
Cover Wireway**



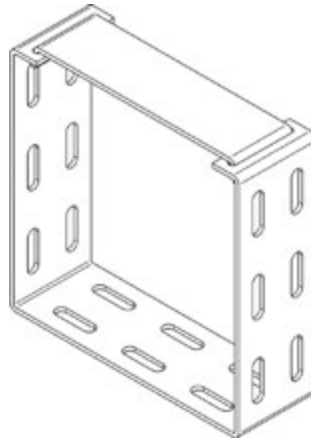
**Type 1 Lay In Screw
Cover Wireway - w/o
Knockouts**



**Type 1 Lay In Hinge
Cover Wireway - w/o
Knockouts**



Joiner

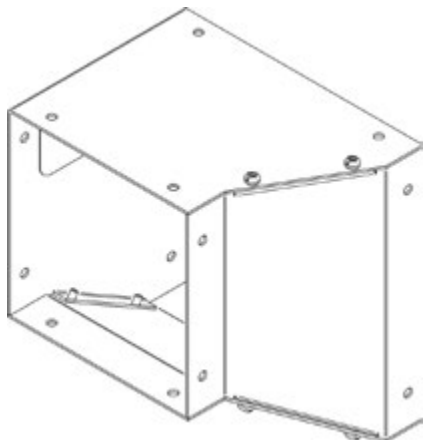


Straight Section Barrier

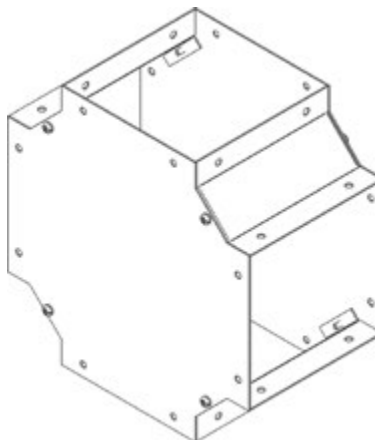


Wireway & Trough

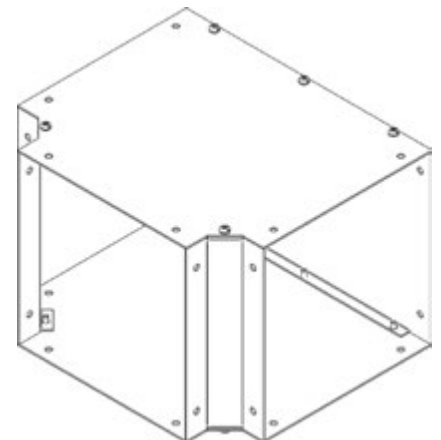
Corner Reducer



Cross Fitting



Tee Fitting

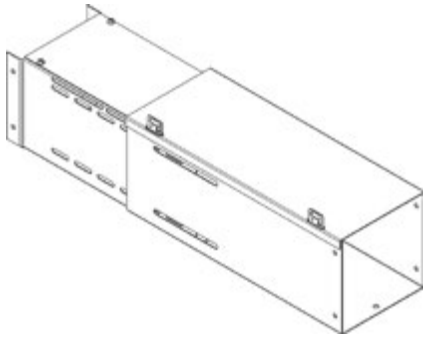


Technical references and CAD downloads available at www.hammondmfg.com

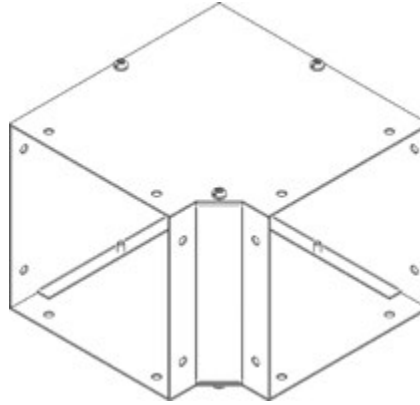
All dimensions in inches unless specified otherwise

Quality Products. Service Excellence.

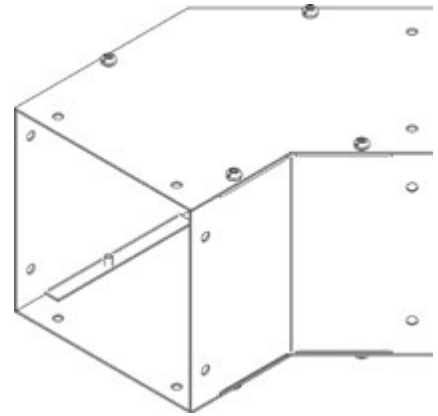
Telescope Fitting



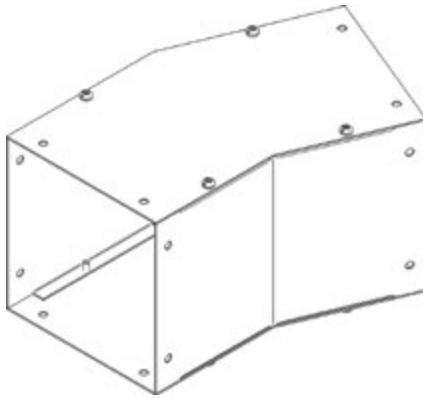
90 degree Elbow



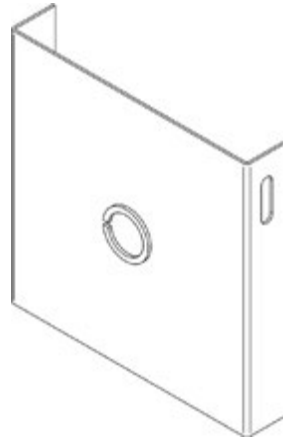
45 degree Elbow



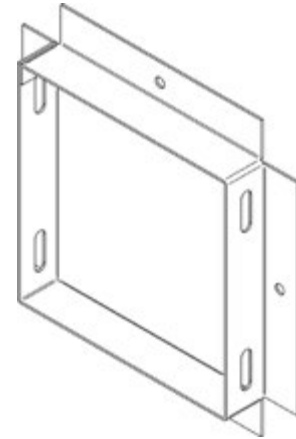
22.5 degree Elbow



Closing Plate

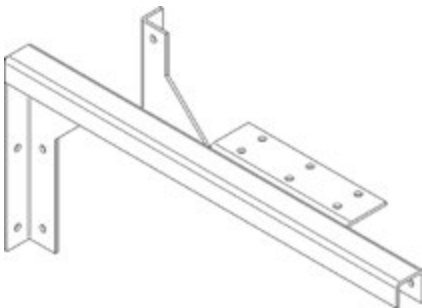


Adapter (Box Connector)

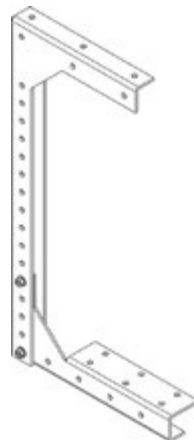


Wireway & Trough

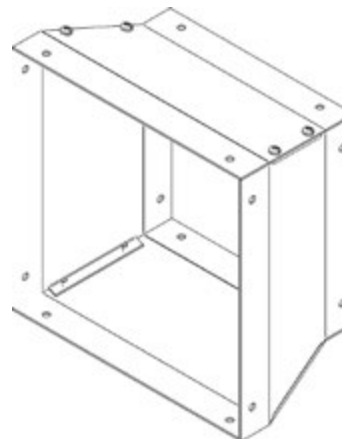
**Bracket Hanger
Wall Type**



**Bracket Hanger
Ceiling Type**



Reducer



**Closing Plate -
w/o Knockouts**



Technical references and CAD downloads available at www.hammondmfg.com

All dimensions in inches unless specified otherwise

Type 1 Gutter Trough *CGT Series*



Part No.	Enclosure		
	H	D	L
CGT1244	4.00	4.00	12.00
CGT1266	6.00	6.00	12.00
CGT1844	4.00	4.00	18.00
CGT1866	6.00	6.00	18.00
CGT2444	4.00	4.00	24.00
CGT2466	6.00	6.00	24.00
CGT3644	4.00	4.00	36.00
CGT3666	6.00	6.00	36.00
CGT4844	4.00	4.00	48.00
CGT4866	6.00	6.00	48.00

Quick Link: hammfg.com/CGT

Application

- Designed for use as a junction or pull box.

Standards

- UL870 Type 1
- cUL Type 1
- Complies with
 - NEMA Type 1
 - IEC 60529, IP20

Construction

- Formed and spot welded from 16 gauge steel
- Mounting holes on back of enclosure
- Flat cover is secured with screws
- Two grounding point embosses on enclosure body

Finish

- Enclosure and cover are finished in ANSI 61 gray powder coating.

Type 3R Wiring Trough *C3RWT Series*



Quick Link: hammfg.com/C3RWT

Application

- Designed for use to protect multiple wiring junctions in outdoor environments against the ingress of rain, sleet, snow and the external formation of ice.

Standards

- UL870 Type 3R
- CSA Type 3R
- Complies with
 - NEMA Type 3R
 - IEC 60529, IP24

Construction

- Formed and spot welded from 14 or 16 gauge galvanized steel
- Drip shield top design protects the enclosure against rain, snow or sleet
- Embossed mounting holes on back of enclosure
- Slip on removable front cover is secured with screws
- Padlocking hasp
- To fully comply with UL870 - 2008 requirements a bonding stud is provided on the cover and a ground stud is provided in the enclosure
- A #10 AWG - 12" grounding strap with crimped on ring terminals is also provided to comply with UL requirements

Finish

- Enclosure and cover are finished in ANSI 61 gray powder coating.

Part No.	Enclosure		
	H	D	L
C3RWT412	4.00	4.00	12.00
C3RWT418	4.00	4.00	18.00
C3RWT424	4.00	4.00	24.00
C3RWT436	4.00	4.00	36.00
C3RWT448	4.00	4.00	48.00
C3RWT460	4.00	4.00	60.00
C3RWT472	4.00	4.00	72.00
C3RWT612	6.00	6.00	12.00
C3RWT618	6.00	6.00	18.00
C3RWT624	6.00	6.00	24.00
C3RWT636	6.00	6.00	36.00
C3RWT648	6.00	6.00	48.00
C3RWT660	6.00	6.00	60.00
C3RWT672	6.00	6.00	72.00
C3RWT812	8.00	8.00	12.00
C3RWT824	8.00	8.00	24.00
C3RWT836	8.00	8.00	36.00
C3RWT848	8.00	8.00	48.00
C3RWT860	8.00	8.00	60.00
C3RWT872	8.00	8.00	72.00
C3RWT896	8.00	8.00	96.00
C3RWT8116	8.00	8.00	116.00
C3RWT1024	10.00	10.00	24.00
C3RWT1036	10.00	10.00	36.00
C3RWT1048	10.00	10.00	48.00
C3RWT1060	10.00	10.00	60.00
C3RWT1072	10.00	10.00	72.00
C3RWT1096	10.00	10.00	96.00
C3RWT10116	10.00	10.00	116.00
C3RWT1224	12.00	12.00	24.00
C3RWT1236	12.00	12.00	36.00
C3RWT1248	12.00	12.00	48.00
C3RWT1260	12.00	12.00	60.00
C3RWT1272	12.00	12.00	72.00
C3RWT1284	12.00	12.00	84.00
C3RWT1296	12.00	12.00	96.00
C3RWT12116	12.00	12.00	116.00

Wireway & Trough

Type 3R Galvanized Wiring Trough *C3RWTG Series*



Quick Link: hammfg.com/C3RWTG

Application

- Designed for use to protect multiple wiring junctions in outdoor environments against the ingress of rain, sleet, snow and the external formation of ice.

Standards

- UL870 Type 3R
- CSA Type 3R
- Complies with
 - NEMA Type 3R
 - IEC 60529, IP24

Construction

- Formed and spot welded from 14 or 16 gauge galvanized steel
- Drip shield top design protects the enclosure against rain, snow or sleet
- Embossed mounting holes on back of enclosure
- Slip on removable front cover is secured with screws
- Padlocking hasp
- To fully comply with UL870 - 2008 requirements a bonding stud is provided on the cover and a ground stud is provided in the enclosure
- A #10 AWG - 12" grounding strap with crimped on ring terminals is also provided to comply with UL requirements

Finish

- Unpainted galvanized steel.

Part No.	Enclosure		
	H	D	L
C3RWT412G	4.00	4.00	12.00
C3RWT418G	4.00	4.00	18.00
C3RWT424G	4.00	4.00	24.00
C3RWT436G	4.00	4.00	36.00
C3RWT448G	4.00	4.00	48.00
C3RWT460G	4.00	4.00	60.00
C3RWT472G	4.00	4.00	72.00
C3RWT612G	6.00	6.00	12.00
C3RWT618G	6.00	6.00	18.00
C3RWT624G	6.00	6.00	24.00
C3RWT636G	6.00	6.00	36.00
C3RWT648G	6.00	6.00	48.00
C3RWT660G	6.00	6.00	60.00
C3RWT672G	6.00	6.00	72.00
C3RWT812G	8.00	8.00	12.00
C3RWT824G	8.00	8.00	24.00
C3RWT836G	8.00	8.00	36.00
C3RWT848G	8.00	8.00	48.00
C3RWT860G	8.00	8.00	60.00
C3RWT872G	8.00	8.00	72.00
C3RWT896G	8.00	8.00	96.00
C3RWT8116G	8.00	8.00	116.00
C3RWT1024G	10.00	10.00	24.00
C3RWT1036G	10.00	10.00	36.00
C3RWT1048G	10.00	10.00	48.00
C3RWT1060G	10.00	10.00	60.00
C3RWT1072G	10.00	10.00	72.00
C3RWT1096G	10.00	10.00	96.00
C3RWT10116G	10.00	10.00	116.00
C3RWT1224G	12.00	12.00	24.00
C3RWT1236G	12.00	12.00	36.00
C3RWT1248G	12.00	12.00	48.00
C3RWT1260G	12.00	12.00	60.00
C3RWT1272G	12.00	12.00	72.00
C3RWT1284G	12.00	12.00	84.00
C3RWT1296G	12.00	12.00	96.00
C3RWT12116G	12.00	12.00	116.00

Type 4/12 Wiring Trough 1486 Series



Quick Link: hammfg.com/1486

Application

- Designed to enclose and protect multiple wiring junctions from dirt, dust, oil and water.

Standards

- UL 870 Type 1, 12, 4
- CSA Type 1, 12, 4
- Complies with
 - NEMA Type 12, 4
 - IEC 60529, IP66

Construction

- Formed 14 gauge steel.
- Smooth continuously welded seams.
- Butt hinged cover is secured with easily operated stainless steel screw clamps.
- Oil resistant gaskets are permanently secured.
- 12 gauge external mounting feet are welded to the back.

Finish

- Troughs and covers are finished in ANSI 61 gray powder coating.

Part No.	Enclosure		
	H	D	L
1486B12	2.50	2.50	12.00
1486B18	2.50	2.50	18.00
1486B24	2.50	2.50	24.00
1486B30	2.50	2.50	30.00
1486B36	2.50	2.50	36.00
1486B48	2.50	2.50	48.00
1486B60	2.50	2.50	60.00
1486B72	2.50	2.50	72.00
1486C12	4.00	4.00	12.00
1486C18	4.00	4.00	18.00
1486C24	4.00	4.00	24.00
1486C30	4.00	4.00	30.00
1486C36	4.00	4.00	36.00
1486C48	4.00	4.00	48.00
1486C60	4.00	4.00	60.00
1486C72	4.00	4.00	72.00
1486D12	6.00	6.00	12.00
1486D18	6.00	6.00	18.00
1486D24	6.00	6.00	24.00
1486D30	6.00	6.00	30.00
1486D36	6.00	6.00	36.00
1486D48	6.00	6.00	48.00
1486D60	6.00	6.00	60.00
1486D72	6.00	6.00	72.00
1486E12	8.00	8.00	12.00
1486E24	8.00	8.00	24.00
1486E36	8.00	8.00	36.00
1486E48	8.00	8.00	48.00
1486E60	8.00	8.00	60.00
1486G24	12.00	12.00	24.00
1486G36	12.00	12.00	36.00
1486G48	12.00	12.00	48.00
1486G60	12.00	12.00	60.00

Wireway & Trough

Type 4X Wiring Trough 1486SS Series

1486SS Series



Quick Link: hammfg.com/1486SS

Application

- Designed to enclose and protect multiple wiring junctions from dirt, dust, oil and water while providing a measure of corrosion protection.

Standards

- UL 870 Type 1, 12, 4, 4X
- CSA Type 1, 12, 4, 4X
- Complies with
 - NEMA Type 12, 4, 4X
 - IEC 60529, IP66

Construction

- Formed 14 gauge 304 stainless steel.
- Smooth continuously welded seams.
- Butt hinged cover is secured with easily operated screw clamps.
- Oil resistant gaskets are permanently secured.
- 12 gauge external mounting feet are welded to the back.

Finish

- Troughs and covers are natural stainless steel with a smooth brushed finish.

Part No.	Enclosure		
	H	D	L
1486B12SS	2.50	2.50	12.00
1486B18SS	2.50	2.50	18.00
1486B24SS	2.50	2.50	24.00
1486B30SS	2.50	2.50	30.00
1486B36SS	2.50	2.50	36.00
1486B48SS	2.50	2.50	48.00
1486B60SS	2.50	2.50	60.00
1486B72SS	2.50	2.50	72.00
1486C12SS	4.00	4.00	12.00
1486C18SS	4.00	4.00	18.00
1486C24SS	4.00	4.00	24.00
1486C30SS	4.00	4.00	30.00
1486C36SS	4.00	4.00	36.00
1486C48SS	4.00	4.00	48.00
1486C60SS	4.00	4.00	60.00
1486C72SS	4.00	4.00	72.00
1486D12SS	6.00	6.00	12.00
1486D18SS	6.00	6.00	18.00
1486D24SS	6.00	6.00	24.00
1486D30SS	6.00	6.00	30.00
1486D36SS	6.00	6.00	36.00
1486D48SS	6.00	6.00	48.00
1486D60SS	6.00	6.00	60.00
1486D72SS	6.00	6.00	72.00
1486E12SS	8.00	8.00	12.00
1486E24SS	8.00	8.00	24.00
1486E36SS	8.00	8.00	36.00
1486E48SS	8.00	8.00	48.00
1486E60SS	8.00	8.00	60.00
1486G24SS	12.00	12.00	24.00
1486G36SS	12.00	12.00	36.00
1486G48SS	12.00	12.00	48.00
1486G60SS	12.00	12.00	60.00

Wireway & Trough

Commercial Enclosures

Commercial Enclosures

Junction Boxes

	Type 1 Mild Steel Junction Box CSKO Series Screw Cover and w/ Knockouts..... 210		Type 1 Mild Steel 3 Piece Flushmount Enclosure N1W F Series Hinge Door with Quarter Turn..... 219
	Type 1 Mild Steel Junction Box CS Series Screw Cover and without Knockouts..... 211		Type 3R Painted Galvanized Steel Junction Box C3RESCNK Series Screw Cover and without Knockouts..... 222
	Type 1 Unpainted Galvanized Steel Junction Box CSG Series Screw Cover and without Knockouts..... 212		Type 3R Aluminum Junction Box C3RESCNKAL Series Screw Cover and without Knockouts..... 223
	Type 1 Unpainted Galvanized Steel Junction Box CSKOG Series Screw Cover and w/ Knockouts..... 213		Type 3/12/4 Mild Steel Junction Box C3SC Series Heavy Duty Screw Cover 224
	Junction Box Extender Ring - Type 1 CSEXT Series For use with CS/CSKO Series..... 214		Type 4X Stainless Steel Junction Box C4XSC Series Heavy Duty Screw Cover 225
	Flush Covers CSFC Series CS/CSKO Accessory..... 215		Type 3R Painted Galvanized Steel Junction Box C3R SC Series Lift-Off Cover with Screws and w/ Knockouts..... 226
	Type 1 Mild Steel Junction Box CHKO Series Hinge Door with Quarter Turn and w/ Knockouts 216		Type 3R Painted Galvanized Steel Junction Box C3R HCR SM Series Hinge Door with Snap Latch and w/ Knockouts 227
	Type 1 Mild Steel Small Wallmount Enclosure N1J Series Hinge Door with Quarter Turn..... 217		Type 3R Painted Galvanized Steel Enclosure C3R HCL0 Series Lift-Off Hinge Door with Snap Latch 228
	Type 1 Mild Steel Wallmount Enclosure N1A Series Hinge Door with Quarter Turn..... 220		Type 3R Painted Galvanized Steel Wallmount Enclosure C3R HCRMD Series Continuous Hinge Door with Screws 229
	Type 1 Mild Steel Wallmount Enclosure 1420 Series Hinge Door with Quarter Turn and w/ Mounting Flange 221		Type 1 Mild Steel Splitter Box CSB Series Hinged Door with Screw 230
	Type 1 Mild Steel 3 Piece Wallmount Enclosure N1W S Series Hinge Door with Quarter Turn..... 218		Type 4/3R Mild Steel Splitter Box CN4SB Series Hinge Door with Quarter Turn..... 231

 Technical references and CAD downloads available at www.hammondmfg.com

All dimensions in inches unless specified otherwise

Commercial Enclosures

	Type 4X Stainless Steel Splitter Box CN4SBSS Series Hinge Door with Quarter Turn..... 232		Type 1 Mild Steel Component Case 1416 Series Ventilated Cover with Screws 232
	Type 1 Mild Steel Splitter Trough CST Series Hinged Door with Screw 233		
	Type 4/3R Mild Steel Splitter Trough CN4ST Series Hinge Door with Quarter Turn..... 234		
	Type 4X Stainless Steel Splitter Trough CN4STSS Series Hinged Door with Quarter Turn..... 235		
	Splitter Blocks CSBL Series 236		
	Grounding Kits CGK Series..... 236		
	Type 1 Mild Steel Metering Cabinets CMC Series Hinge Door with Quarter Turn..... 237		
	Type 1 Mild Steel Metering Cabinets (Hydro Quebec Version) CMC Q Series Hinge Door with Quarter Turn..... 238		
	Type 1 Mild Steel Metering Cabinets (Ontario Hydro Version) CMC O Series Hinge Door with Handle and Viewing Window 239		
	Type 3R Mild Steel Metering Cabinets C3RMC Series Hinge Door with Handle..... 240		
	Type 3R Current Transformer Cabinet HCT Series Single and Double Door Enclosures..... 241		

Commercial Enclosures Splitter Boxes

Type 1 Mild Steel Junction Box *CSKO Series*

Screw Cover and w/ Knockouts

Commercial Enclosures Junction Boxes



Quick Link: hammfg.com/CSKO

Application

- Designed for general purpose indoor commercial use as a junction, pull or switch box.

Standards

- UL-50 Type 1
- CSA Type 1
- Complies with:
 - NEMA Type 1
 - IEC 60529, IP20

Construction

- Formed and spot welded from 16 gauge (up to 30"x24") or 14 gauge (36"x24") steel.
- Flat steel covers fastened with plated steel screws.
- Keyhole slots permit cover to be lifted off without removing screws entirely.
- Easily removed knockouts on all 4 sides (see drawings for sizes and locations).
- Through holes in back for wall mounting.
- Grounding location embossed in body.

Finish

- Enclosure and cover are finished in ANSI 61 gray powder coating.

Accessories

- Flush Covers...See Page **215**

Part No.	Enclosure		
	H	W	D
CSKO443	4.00	4.00	3.00
CSKO663	6.00	6.00	3.00
CSKO863	8.00	6.00	3.00
CSKO16143	16.00	14.00	3.00
CSKO18143	18.00	14.00	3.00
CSKO20143	20.00	14.00	3.00
CSKO444	4.00	4.00	4.00
CSKO644	6.00	4.00	4.00
CSKO664	6.00	6.00	4.00
CSKO864	8.00	6.00	4.00
CSKO884	8.00	8.00	4.00
CSKO1084	10.00	8.00	4.00
CSKO10104	10.00	10.00	4.00
CSKO1284	12.00	8.00	4.00
CSKO12104	12.00	10.00	4.00
CSKO12124	12.00	12.00	4.00
CSKO16124	16.00	12.00	4.00
CSKO18124	18.00	12.00	4.00
CSKO18184	18.00	18.00	4.00
CSKO24244	24.00	24.00	4.00
CSKO666	6.00	6.00	6.00
CSKO886	8.00	8.00	6.00
CSKO1086	10.00	8.00	6.00
CSKO10106	10.00	10.00	6.00
CSKO12106	12.00	10.00	6.00
CSKO12126	12.00	12.00	6.00
CSKO16126	16.00	12.00	6.00
CSKO16166	16.00	16.00	6.00
CSKO18126	18.00	12.00	6.00
CSKO18186	18.00	18.00	6.00
CSKO24186	24.00	18.00	6.00
CSKO24246	24.00	24.00	6.00
CSKO30246	30.00	24.00	6.00
CSKO36246	36.00	24.00	6.00
CSKO12128	12.00	12.00	8.00
CSKO16168	16.00	16.00	8.00
CSKO24248	24.00	24.00	8.00
CSKO202010	20.00	20.00	10.00
CSKO242410	24.00	24.00	10.00
CSKO302010	30.00	20.00	10.00
CSKO362410	36.00	24.00	10.00

Type 1 Mild Steel Junction Box *CS Series*

Screw Cover and without Knockouts



Quick Link: hammfg.com/CS

Application

- Designed for general purpose indoor commercial use as a junction, pull or switch box.

Standards

- UL-50 Type 1
- CSA Type 1
- Complies with
 - NEMA Type 1
 - IEC 60529, IP20

Construction

- Formed and spot welded from 16 gauge (up to 30"x24"), 14 gauge (36"x24") or 12 gauge (36"x36") steel.
- Flat steel covers fastened with plated steel screws.
- Keyhole slots permit cover to be lifted off without removing screws entirely.
- Through holes in back for wall mounting.
- Grounding location embossed in body.

Finish

- Enclosure and cover are finished in ANSI 61 gray powder coating.

Accessories

- Flush Covers...*See Page 215*

Part No.	Enclosure		
	H	W	D
CS443	4.00	4.00	3.00
CS663	6.00	6.00	3.00
CS863	8.00	6.00	3.00
CS16143	16.00	14.00	3.00
CS18143	18.00	14.00	3.00
CS20143	20.00	14.00	3.00
CS444	4.00	4.00	4.00
CS644	6.00	4.00	4.00
CS664	6.00	6.00	4.00
CS864	8.00	6.00	4.00
CS884	8.00	8.00	4.00
CS1084	10.00	8.00	4.00
CS10104	10.00	10.00	4.00
CS1284	12.00	8.00	4.00
CS12104	12.00	10.00	4.00
CS12124	12.00	12.00	4.00
CS16124	16.00	12.00	4.00
CS18124	18.00	12.00	4.00
CS18184	18.00	18.00	4.00
CS24244	24.00	24.00	4.00
CS666	6.00	6.00	6.00
CS886	8.00	8.00	6.00
CS1086	10.00	8.00	6.00
CS10106	10.00	10.00	6.00
CS12106	12.00	10.00	6.00
CS12126	12.00	12.00	6.00
CS16126	16.00	12.00	6.00
CS16166	16.00	16.00	6.00
CS18126	18.00	12.00	6.00
CS18186	18.00	18.00	6.00
CS24186	24.00	18.00	6.00
CS24246	24.00	24.00	6.00
CS30246	30.00	24.00	6.00
CS36246	36.00	24.00	6.00
CS36366	36.00	36.00	6.00
CS12128	12.00	12.00	8.00
CS16168	16.00	16.00	8.00
CS18188	18.00	18.00	8.00
CS24248	24.00	24.00	8.00
CS36248	36.00	24.00	8.00
CS202010	20.00	20.00	10.00
CS242410	24.00	24.00	10.00
CS302010	30.00	20.00	10.00
CS362410	36.00	24.00	10.00
CS363612	36.00	36.00	12.00

Type 1 Unpainted Galvanized Steel Junction Box *CSG Series*

Screw Cover and without Knockouts



Part No.	Enclosure		
	H	W	D
CSG664	6.00	6.00	4.00
CSG884	8.00	8.00	4.00
CSG10104	10.00	10.00	4.00
CSG12124	12.00	12.00	4.00
CSG18184	18.00	18.00	4.00
CSG24244	24.00	24.00	4.00
CSG666	6.00	6.00	6.00
CSG886	8.00	8.00	6.00
CSG10106	10.00	10.00	6.00
CSG12106	12.00	10.00	6.00
CSG12126	12.00	12.00	6.00
CSG16166	16.00	16.00	6.00
CSG18126	18.00	12.00	6.00
CSG18186	18.00	18.00	6.00
CSG24246	24.00	24.00	6.00
CSG30306	30.00	30.00	6.00
CSG36366	36.00	36.00	6.00
CSG12128	12.00	12.00	8.00
CSG18188	18.00	18.00	8.00
CSG24248	24.00	24.00	8.00
CSG30308	30.00	30.00	8.00
CSG36368	36.00	36.00	8.00
CSG181812	18.00	18.00	12.00
CSG242412	24.00	24.00	12.00
CSG303012	30.00	30.00	12.00
CSG363612	36.00	36.00	12.00
CSG484812	48.00	48.00	12.00
CSG363616	36.00	36.00	16.00
CSG484816	48.00	48.00	16.00

Quick Link: hammfg.com/CSG

Application

- Designed for general purpose indoor commercial use as a junction, pull or switch box.

Standards

- UL-50 Type 1
- CSA Type 1
- Complies with
 - NEMA Type 1
 - IEC 60529, IP20

Construction

- Formed and spot welded from 16 gauge (up to 30"x24"), 14 gauge (36"x24") or 12 gauge (36"x36") G90 steel.
- Flat steel covers fastened with plated steel screws.
- Keyhole slots permit cover to be lifted off without removing screws entirely.
- Through holes in back for wall mounting.
- Grounding location embossed in body.

Finish

- Enclosure and cover are unpainted galvanized steel.

Commercial Enclosures Junction Boxes

Type 1 Unpainted Galvanized Steel Junction Box *CSKOG Series*

Screw Cover and w/ Knockouts



Part No.	Enclosure		
	H	W	D
CSKOG664	6.00	6.00	4.00
CSKOG884	8.00	8.00	4.00
CSKOG10104	10.00	10.00	4.00
CSKOG12124	12.00	12.00	4.00
CSKOG18124	18.00	12.00	4.00
CSKOG666	6.00	6.00	6.00
CSKOG886	8.00	8.00	6.00
CSKOG10106	10.00	10.00	6.00
CSKOG12126	12.00	12.00	6.00
CSKOG16166	16.00	16.00	6.00
CSKOG16168	16.00	16.00	8.00
CSKOG12128	12.00	12.00	8.00

Quick Link: hammfg.com/CSKOG

Application

- Designed for general purpose indoor commercial use as a junction, pull or switch box.

Standards

- UL-50 Type 1
- CSA Type 1
- Complies with:
 - NEMA Type 1
 - IEC 60529, IP20

Construction

- Formed and spot welded from 16 gauge G90 steel.
- Flat steel covers fastened with plated steel screws.
- Keyhole slots permit cover to be lifted off without removing screws entirely.
- Easily removed knockouts on all 4 sides (see drawings for sizes and locations).
- Through holes in back for wall mounting.
- Grounding location embossed in body.

Finish

- Enclosure and cover are unpainted galvanized steel.

Junction Box Extender Ring - Type 1 *CSEXT Series*

For use with CS/CSKO Series



Mild Steel (GY)	Unpainted Galv	Extender Ring		
Part No.	Part No.	H	W	D
CS66EXT4	CSG66EXT4	6.00	6.00	4.00
CS88EXT4	CSG88EXT4	8.00	8.00	4.00
CS1010EXT4	CSG1010EXT4	10.00	10.00	4.00
CS1212EXT4	CSG1212EXT4	12.00	12.00	4.00
CS1212EXT6		12.00	12.00	6.00
CS1616EXT6		16.00	16.00	6.00

Commercial Enclosures Junction Boxes

Quick Link: hammfg.com/CSEXT

- Provides extra depth to Type 1 screw cover junction boxes - for use with CS, CSG, CSKO, CSKOG Series.
- Keyhole shaped mounting holes for quick assembly.
- Easy install - Remove box cover, fix extender ring using cover screws, and attach cover to extender ring with hardware provided.
- Painted steel (ANSI 61 gray) and unpainted galvanized versions available.

Flush Covers *CSFC Series*

CS/CSKO Accessory



Part No.	Actual Size		Fits Box Size		Cover Gauge
	L	W	H	W	
CSFC66	7.50	7.50	6.00	6.00	16
CSFC86	9.50	7.50	8.00	6.00	16
CSFC88	9.50	9.50	8.00	8.00	16
CSFC108	11.50	9.50	10.00	8.00	16
CSFC1010	11.50	11.50	10.00	10.00	16
CSFC128	13.50	9.50	12.00	8.00	16
CSFC1212	13.50	13.50	12.00	12.00	16
CSFC1616	17.50	17.50	16.00	16.00	16
CSFC1812	19.50	13.50	18.00	12.00	16
CSFC1818	19.50	19.50	18.00	18.00	16
CSFC2418	25.50	19.50	24.00	18.00	14
CSFC2424	25.50	25.50	24.00	24.00	14

Quick Link: hammfg.com/CSFC

Features

- Oversized covers for CS/CSKO Series screw cover junction boxes
- Designed for flush mount installation requirements
- 1.5" taller and wider than standard covers
- Constructed of 16 or 14 gauge steel
- Painted ANSI 61 gray
- Note - Boxes sold separately

Type 1 Mild Steel Junction Box *CHKO Series*

Hinge Door with Quarter Turn and w/ Knockouts



Quick Link: hammfg.com/CHKO

Application

- Designed for general purpose indoor commercial use as a junction, pull or switch box.
- Hinged cover with latch provides easy access during installation and maintenance.

Standards

- UL-50 Type 1
- CSA Type 1
- Complies with
 - NEMA Type 1
 - IEC 60529, IP20

Construction

- Formed and spot welded from 16 gauge (up to 30"x24") or 14 gauge (36"x24") steel.
- Formed steel covers close by use of slotted quarter turn latch.
- Full swing, hinged door. Easily removed knockouts on all 4 sides (see drawings for sizes and locations).
- Through holes in back for wall mounting.
- Grounding location embossed in body.

Finish

- Enclosure and cover are finished in ANSI 61 gray powder coating.

Accessories

- Type 1 Lock Kit...*See Page 284*

Part No.	Enclosure		
	H	W	D
CHKO663	6.00	6.00	3.50
CHKO644	6.00	4.00	4.00
CHKO664	6.00	6.00	4.00
CHKO864	8.00	6.00	4.00
CHKO884	8.00	8.00	4.00
CHKO1084	10.00	8.00	4.00
CHKO10104	10.00	10.00	4.00
CHKO1284	12.00	8.00	4.00
CHKO12104	12.00	10.00	4.00
CHKO12124	12.00	12.00	4.00
CHKO16124	16.00	12.00	4.00
CHKO18124	18.00	12.00	4.00
CHKO666	6.00	6.00	6.00
CHKO886	8.00	8.00	6.00
CHKO1086	10.00	8.00	6.00
CHKO10106	10.00	10.00	6.00
CHKO12106	12.00	10.00	6.00
CHKO12126	12.00	12.00	6.00
CHKO16126	16.00	12.00	6.00
CHKO16166	16.00	16.00	6.00
CHKO18126	18.00	12.00	6.00
CHKO18186	18.00	18.00	6.00
CHKO24186	24.00	18.00	6.00
CHKO24246	24.00	24.00	6.00
CHKO30246	30.00	24.00	6.00
CHKO36246	36.00	24.00	6.00
CHKO36248	36.00	24.00	8.00

Commercial Enclosures

Junction Boxes

Type 1 Mild Steel Small Wallmount Enclosure *N1J Series*

Hinge Door with Quarter Turn



Quick Link: hammfg.com/N1J

Application

- Designed for indoor use to house controls, instruments and components not requiring oil-tight or dust-tight protection.

Standards

- UL-50 Type 1
- CSA Type 1
- Complies with
 - NEMA Type 1
 - IEC 60529, IP20

Construction

- Formed and spot welded from 16 gauge steel.
- Formed steel covers close by use of slotted quarter turn latch.
- Full swing door using butt hinges.
- Through holes in back for wall mounting.
- Bonding stud is provided on the door and a grounding stud is provided on the box.
- Includes 14 gauge steel inner panel.

Finish

- Enclosure and cover are finished in ANSI 61 gray powder coating.
- Inner panel is finished in white powder coating

Accessories

- Additional Inner Panels...*See Page 298*
- Perforated Inner Panels...*See Page 301*
- Type 1 Lock Kit...*See Page 284*

Part No.	Enclosure			Inner Panel	
	H	W	D	H	W
N1J664	6.00	6.00	4.00	4.25	4.25
N1J864	8.00	6.00	4.00	6.25	4.25
N1J884	8.00	8.00	4.00	6.25	6.25
N1J1084	10.00	8.00	4.00	8.25	6.25
N1J10104	10.00	10.00	4.00	8.25	8.25
N1J12104	12.00	10.00	4.00	10.25	8.25
N1J12124	12.00	12.00	4.00	10.25	10.25
N1J14124	14.00	12.00	4.00	12.25	10.25
N1J886	8.00	8.00	6.00	6.25	6.25
N1J1086	10.00	8.00	6.00	8.25	6.25
N1J10106	10.00	10.00	6.00	8.25	8.25
N1J12106	12.00	10.00	6.00	10.25	8.25
N1J12126	12.00	12.00	6.00	10.25	10.25
N1J14126	14.00	12.00	6.00	12.25	10.25
N1J16126	16.00	12.00	6.00	14.25	10.25
N1J20126	20.00	12.00	6.00	18.25	10.25
N1J12128	12.00	12.00	8.00	10.25	10.25
N1J14128	14.00	12.00	8.00	12.25	10.25

Type 1 Mild Steel 3 Piece Wallmount Enclosure *N1W S Series*

Hinge Door with Quarter Turn

Commercial Enclosures Panel Enclosures



Quick Link: hammfg.com/N1WS

Application

- Designed for indoor use to enclose controls, instruments, and components which do not require oil-tight or dust-tight protection.
- Ideal for applications where components may be easily mounted and wired prior to installation of wrapper and door.

Standards

- UL 50 Type 1
- CSA Type 1
- Complies with
 - NEMA Type 1
 - IEC 60529, IP20

Construction

- Three piece assembly consisting of a base, wrapper, and door.
- Components are attached and secured with metal screws.
- 14 gauge reverse formed base acts as mounting surface (no separate inner panel) and provides clearance for mounting hardware.
- Wrapper is available in three depths: 4", 6", and 8".
- Wrapper is formed from 16 gauge steel, with no knock-outs in the sides.
- Door assembly formed from 16 gauge steel.
- Removable door is mounted on slip hinges.
- A bonding stud is provided on the door and a grounding screw is provided for the enclosure.
- Door is fastened with a slotted quarter turn latch.

Finish

- Base, wrapper and door are finished in ANSI 61 gray powder coating.

Accessories

- Type 1 Lock Kit...*See Page 284*
- Padlock Adaptor...*See Page 286*

Part No.	Enclosure		
	H	W	D
N1WS864	8.00	6.00	4.00
N1WS1084	10.00	8.00	4.00
N1WS12104	12.00	10.00	4.00
N1WS16124	16.00	12.00	4.00
N1WS20164	20.00	16.00	4.00
N1WS24204	24.00	20.00	4.00
N1WS866	8.00	6.00	6.00
N1WS1086	10.00	8.00	6.00
N1WS12106	12.00	10.00	6.00
N1WS16126	16.00	12.00	6.00
N1WS20166	20.00	16.00	6.00
N1WS24206	24.00	20.00	6.00
N1WS868	8.00	6.00	8.00
N1WS1088	10.00	8.00	8.00
N1WS12108	12.00	10.00	8.00
N1WS16128	16.00	12.00	8.00
N1WS20168	20.00	16.00	8.00
N1WS24208	24.00	20.00	8.00

Type 1 Mild Steel 3 Piece Flushmount Enclosure *N1WF Series*

Hinge Door with Quarter Turn



Quick Link: hammfg.com/N1WF

Application

- Designed for indoor use to enclose controls, instruments, and components which do not require oil-tight or dust-tight protection.
- Ideal for applications where components may be easily mounted and wired prior to installation of wrapper and door.

Standards

- UL 50 Type 1
- CSA Type 1
- Complies with
 - NEMA Type 1
 - IEC 60529, IP20

Construction

- Three piece assembly consisting of a base, wrapper, and door.
- Components are attached and secured with metal screws.
- 14 gauge reverse formed base acts as mounting surface (no separate inner panel) and provides clearance for mounting hardware.
- Punched for left or right hinging of the door and ease of assembly.
- Wrapper is formed from 16 gauge steel, with no knock-outs in the sides.
- Flush mounting door assembly formed from 16 gauge steel.
- Door is fastened with a slotted quarter turn latch.
- A bonding stud is provided on the door and a grounding screw is provided for the enclosure.

Finish

- Base, wrapper and door are finished in ANSI 61 gray powder coating.

Accessories

- Type 1 Lock Kit...*See Page 284*
- Padlock Adaptor...*See Page 286*

Part No.	Enclosure		
	H	W	D
N1WF864	8.00	6.00	4.00
N1WF1084	10.00	8.00	4.00
N1WF12104	12.00	10.00	4.00
N1WF16124	16.00	12.00	4.00
N1WF20164	20.00	16.00	4.00
N1WF24204	24.00	20.00	4.00

Technical references and CAD downloads available at www.hammondmfg.com

All dimensions in inches unless specified otherwise

Quality Products. Service Excellence.

Type 1 Mild Steel Wallmount Enclosure *N1A Series*

Hinge Door with Quarter Turn

 Commercial Enclosures
Panel Enclosures

 Quick Link: hammfg.com/N1A

Application

- Designed for indoor use to house controls, instruments and components not requiring oil-tight or dust-tight protection.

Standards

- UL 50 Type 1
- CSA Type 1
- Complies with
 - NEMA Type 1
 - IEC 60529, IP20

Construction

- Enclosure is formed and spot welded from 12 or 14 gauge steel.
- Removable 12 or 14 gauge inner panel is mounted in the rear of the enclosure on collar studs.
- Removable door is mounted on slip hinges.
- Door is fastened with a slotted quarter turn latch; doors 30" and higher are provided with two latches.
- A bonding stud is provided on the door and a grounding stud is provided in the box.
- Mounting holes are provided in the rear of the enclosure.
- Piano hinge on 12 gauge units.

Finish

- Enclosure and door are finished in ANSI 61 gray powder coating.
- Inner panel is finished in white powder coating.

Accessories

- Additional Inner Panels...See Page **299**
- Perforated Inner Panels...See Page **301**
- Type 1 Lock Kit...See Page **284**
- Ventilation...See Page **272**
- Window Kits...See Page **308**
- Padlock Adaptor...See Page **286**

Part No.	Enclosure			Inner Panel	
	H	W	D	H	W
N1A16127	16.00	12.00	7.00	13.00	10.50
N1A16167	16.00	16.00	7.00	13.00	14.50
N1A16207	16.00	20.00	7.00	13.00	18.50
N1A20167	20.00	16.00	7.00	17.00	14.50
N1A20207	20.00	20.00	7.00	17.00	18.50
N1A24167	24.00	16.00	7.00	21.00	14.50
N1A24207	24.00	20.00	7.00	21.00	18.50
N1A24247	24.00	24.00	7.00	21.00	22.50
N1A30207	30.00	20.00	7.00	26.00	18.50
N1A30247	30.00	24.00	7.00	26.00	22.50
N1A36247	36.00	24.00	7.00	32.00	22.50
N1A36307	36.00	30.00	7.00	32.00	28.50
N1A16129	16.00	12.00	9.00	13.00	10.50
N1A20169	20.00	16.00	9.00	17.00	14.50
N1A20209	20.00	20.00	9.00	17.00	18.50
N1A20249	20.00	24.00	9.00	17.00	22.50
N1A24209	24.00	20.00	9.00	21.00	18.50
N1A24249	24.00	24.00	9.00	21.00	22.50
N1A30209	30.00	20.00	9.00	26.00	18.50
N1A30249	30.00	24.00	9.00	26.00	22.50
N1A30309	30.00	30.00	9.00	26.00	28.50
N1A36249	36.00	24.00	9.00	32.00	22.50
N1A36309	36.00	30.00	9.00	32.00	28.50
N1A42249	42.00	24.00	9.00	38.00	22.50
N1A242012	24.00	20.00	12.00	21.00	18.50
N1A242412	24.00	24.00	12.00	21.00	22.50
N1A302412	30.00	24.00	12.00	26.00	22.50
N1A363012	36.00	30.00	12.00	32.00	28.50
N1A423012 ¹	42.00	30.00	12.00	38.00	28.50
N1A423612 ¹	42.00	36.00	12.00	38.00	34.50
N1A483612 ¹	48.00	36.00	12.00	44.00	34.50

¹12 gauge construction

Type 1 Mild Steel Wallmount Enclosure *1420 Series*

Hinge Door with Quarter Turn and w/ Mounting Flange



Quick Link: hammfg.com/1420

Application

- Designed for indoor use to house controls, instruments and components which do not require oil-tight or dust-tight protection.

Standards

- UL 508A Type 1
- CSA Type 1
- Complies with
 - NEMA Type 1
 - IEC 60529, IP20

Construction

- Enclosure is formed and spot welded from 12 or 14 gauge steel.
- Removable 12 gauge inner panel is mounted to the rear of the enclosure on collar studs.
- Removable door is attached with slip hinges.
- To remove door, a tool is required to remove the #8 screw which captivates hinge.
- Door is fastened with a slotted 1/4 turn latch; doors 30" and higher are provided with two latches.
- A bonding stud is provided on the door and a grounding stud is provided in the box.
- Piano hinge on 12 gauge units.

Finish

- Enclosure and door are finished in ANSI 61 gray powder coating.
- Inner panel is finished in white powder coating.

Accessories

- Additional Inner Panels...*See Page 297*
- Type 1 Lock Kit...*See Page 284*
- Ventilation...*See Page 272*
- Window Kits...*See Page 308*
- Padlock Adaptor...*See Page 286*

Part No.	Enclosure			Inner Panel	
	H	W	D	H	W
1420B7	16.00	12.00	7.00	14.00	10.00
1420C7	20.00	16.00	7.00	18.00	14.00
1420D7	20.00	20.00	7.00	18.00	18.00
1420E7	24.00	20.00	7.00	22.00	18.00
1420F7	30.00	20.00	7.00	28.00	18.00
1420G7	30.00	24.00	7.00	28.00	22.00
1420H7	36.00	24.00	7.00	34.00	22.00
1420E9	24.00	20.00	9.00	22.00	18.00
1420EM9	24.00	24.00	9.00	22.00	22.00
1420G9	30.00	24.00	9.00	28.00	22.00
1420H9	36.00	24.00	9.00	34.00	22.00
1420P9 ¹	36.00	30.00	9.00	34.00	28.00
1420Q9	42.00	24.00	9.00	40.00	22.00
1420G12	30.00	24.00	12.00	28.00	22.00
1420P12 ¹	36.00	30.00	12.00	34.00	28.00
1420R12 ¹	42.00	30.00	12.00	40.00	28.00
1420S12 ¹	42.00	36.00	12.00	40.00	34.00
1420T12 ¹	48.00	36.00	12.00	46.00	34.00
1420G16	30.00	24.00	16.00	28.00	22.00
1420P16 ¹	36.00	30.00	16.00	34.00	28.00

¹12 gauge construction

Technical references and CAD downloads available at www.hammondmfg.com

All dimensions in inches unless specified otherwise

Quality Products. Service Excellence.

Type 3R Painted Galvanized Steel Junction Box *C3RESCNK Series*

Screw Cover and without Knockouts



Part No.	Enclosure		
	H	W	D
C3R664ESCNK	6.00	6.00	4.00
C3R884ESCNK	8.00	8.00	4.00
C3R886ESCNK	8.00	8.00	6.00
C3R10104ESCNK	10.00	10.00	4.00
C3R10106ESCNK	10.00	10.00	6.00
C3R12124ESCNK	12.00	12.00	4.00
C3R12126ESCNK	12.00	12.00	6.00
C3R16166ESCNK	16.00	16.00	6.00
C3R18186ESCNK	18.00	18.00	6.00
C3R24246ESCNK	24.00	24.00	6.00

Quick Link: hammfg.com/C3RESCNK

Application

- Designed for use as a wiring/junction box.
- Provides protection against rain, sleet, snow and dripping water.

Standards

- UL-50 Type 3R
- CSA Type 3R
- Complies with:
 - NEMA Type 3R
 - IEC 60529, IP24

Construction

- Formed and spot welded from 16 gauge galvanized steel (24x24x6 is 14 gauge).
- Drip-shield top and seam-free sides, front and back.
- Slip-on removable cover fastened with plated steel screws.
- External mounting feet
- Oil resistant gaskets are permanently secured
- A bonding stud is provided on the door and a grounding stud is provided in the box.

Finish

- Enclosure and cover are finished in ANSI 61 gray powder coating.

Commercial Enclosures

Junction Boxes

Type 3R Aluminum Junction Box *C3RESCNKAL Series*

Screw Cover and without Knockouts



Part No.	Enclosure		
	H	W	D
C3R664ESCNKAL	6.00	6.00	4.00
C3R884ESCNKAL	8.00	8.00	4.00
C3R886ESCNKAL	8.00	8.00	6.00
C3R10104ESCNKAL	10.00	10.00	4.00
C3R10106ESCNKAL	10.00	10.00	6.00
C3R12124ESCNKAL	12.00	12.00	4.00
C3R12126ESCNKAL	12.00	12.00	6.00

Quick Link: hammfg.com/C3RESCNKAL

Application

- Designed for use as a wiring/junction box.
- Provides protection against rain, sleet, snow and dripping water.

Standards

- UL-50 Type 3R
- CSA Type 3R
- Complies with:
 - NEMA Type 3R
 - IEC 60529, IP24

Construction

- Formed from 0.08" Type 5052 H-32 aluminum
- Drip-shield top and seam-free sides, front and back.
- Slip-on removable cover fastened with plated steel screws.
- External mounting feet.
- Oil resistant gaskets are permanently secured.
- A bonding stud is provided on the door and a grounding stud is provided in the box..

Finish

- Enclosure and cover are finished in natural unfinished aluminum.

Type 3/12/4 Mild Steel Junction Box *C3SC Series*

Heavy Duty Screw Cover

Commercial Enclosures Junction Boxes



Quick Link: hammfg.com/C3SC

Application

- Designed for use as a wiring box, junction box, terminal or pull box in indoor or outdoor applications where subject to windblown dust or rain.

Standards

- UL 508A Listed; Type 3, 4, 12
- cULus Listed per CSA C22.2 No 94; Type 3, 4, 12
- Complies with
 - NEMA Type 3, 4 and 12
 - IEC 60529, IP66

Construction

- 14 gauge steel body up to 12"x12"; 12 gauge body when 30"x30" or larger
- 14 gauge steel cover up to 24"x24"; 10 gauge cover when 16"x16" or larger
- Smooth, continuously welded seams without knockouts, cutouts, or holes
- Captivated stainless steel cover screws thread into sealed wells
- Seamless poured-in place gasket

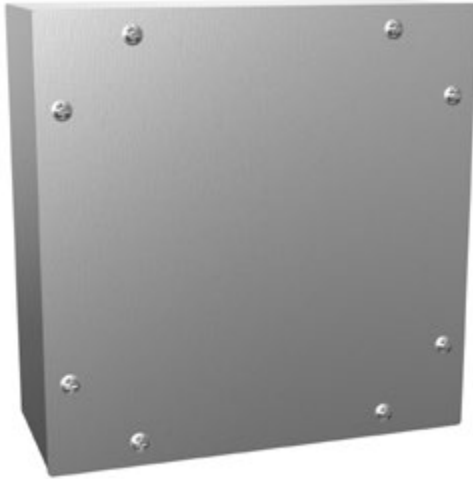
Finish

- Enclosure and cover are finished with an ANSI 61 gray powder coating inside and outside

Part No.	H	W	D
C3SC664GY	6.00	6.00	4.00
C3SC864GY	8.00	6.00	4.00
C3SC884GY	8.00	8.00	4.00
C3SC1084GY	10.00	8.00	4.00
C3SC10104GY	10.00	10.00	4.00
C3SC12124GY	12.00	12.00	4.00
C3SC666GY	6.00	6.00	6.00
C3SC886GY	8.00	8.00	6.00
C3SC10106GY	10.00	10.00	6.00
C3SC12106GY	12.00	10.00	6.00
C3SC12126GY	12.00	12.00	6.00
C3SC16126GY	16.00	12.00	6.00
C3SC16166GY	16.00	16.00	6.00
C3SC18186GY	18.00	18.00	6.00
C3SC24246GY	24.00	24.00	6.00
C3SC888GY	8.00	8.00	8.00
C3SC12128GY	12.00	12.00	8.00
C3SC16168GY	16.00	16.00	8.00
C3SC20208GY	20.00	20.00	8.00
C3SC24208GY	24.00	20.00	8.00
C3SC24248GY	24.00	24.00	8.00
C3SC242410GY	24.00	24.00	10.00
C3SC242412GY	24.00	24.00	12.00
C3SC303012GY	30.00	30.00	12.00
C3SC363612GY	36.00	36.00	12.00

Type 4X Stainless Steel Junction Box *C4XSC Series*

Heavy Duty Screw Cover



Part No.	H	W	D
C4XSC664SS	6.00	6.00	4.00
C4XSC864SS	8.00	6.00	4.00
C4XSC884SS	8.00	8.00	4.00
C4XSC1084SS	10.00	8.00	4.00
C4XSC10104SS	10.00	10.00	4.00
C4XSC12124SS	12.00	12.00	4.00
C4XSC666SS	6.00	6.00	6.00
C4XSC886SS	8.00	8.00	6.00
C4XSC10106SS	10.00	10.00	6.00
C4XSC12126SS	12.00	12.00	6.00
C4XSC16166SS	16.00	16.00	6.00
C4XSC18186SS	18.00	18.00	6.00
C4XSC24246SS	24.00	24.00	6.00
C4XSC12128SS	12.00	12.00	8.00
C4XSC16168SS	16.00	16.00	8.00
C4XSC24248SS	24.00	24.00	8.00
C4XSC242410SS	24.00	24.00	10.00
C4XSC242412SS	24.00	24.00	12.00
C4XSC303012SS	30.00	30.00	12.00
C4XSC363612SS	36.00	36.00	12.00

Quick Link: hammfg.com/C4XSC

Application

- Designed for use as a wiring box, junction box, terminal or pull box in indoor or outdoor applications where subject to hose down/precipitation or corrosion.

Standards

- UL 508A Listed; Type 3, 4X, 12
- cULus Listed per CSA C22.2 No 94; Type 3, 4X, 12
- Complies with
 - NEMA Type 3, 4X and 12
 - IEC 60529, IP66

Construction

- 14 gauge 304 stainless steel body up to 12"x12"; 12 gauge body when 30"x30" or larger
- 14 gauge 304 stainless steel cover up to 24"x24"; 10 gauge cover when 16"x16" or larger
- Smooth, continuously welded seams without knockouts, cutouts, or holes
- Captivated stainless steel cover screws thread into sealed wells
- Seamless poured-in place gasket

Finish

- Enclosure and cover are unpainted, with a grained #4 finish.

Type 3R Painted Galvanized Steel Junction Box *C3R SC Series*

Lift-Off Cover with Screws and w/ Knockouts



Quick Link: hammfg.com/C3RSC

Application

- Designed for use as a wiring/junction box.
- Provides protection against rain, sleet, snow and dripping water.

Standards

- UL-50 Type 3R
- CSA Type 3R
- Complies with:
 - NEMA Type 3R
 - IEC 60529, IP24

Construction

- Formed and spot welded from 16 or 14 gauge galvanized steel.
- Drip-shield top and seam-free sides, front and back.
- Slip-on removable cover fastened with plated steel screws.
- Door handles on body type C enclosures.
- Embossed mounting holes on back of enclosure on units with KO's.
- Easily removed knockouts on bottom of enclosure.
- Padlocking hasp.
- No Gasket.

Finish

- Enclosure and cover are finished in ANSI 61 gray powder coating.

Part No. with KO	Part No. less KO	Enclosure		
		H	W	D
C3R444SC	-	4	4	4
C3R644SC	-	6	4	4
C3R1244SC	-	12	4	4
C3R664SC	C3R664SCNKO	6	6	4
C3R864SC	-	8	6	4
C3R884SC	C3R884SCNKO	8	8	4
C3R1084SC	-	10	8	4
C3R1284SC	-	12	8	4
C3R10104SC	C3R10104SCNKO	10	10	4
C3R12104SC	-	12	10	4
C3R12124SC	C3R12124SCNKO	12	12	4
C3R18124SC	-	18	12	4
C3R18184SC	-	18	18	4
C3R666SC	-	6	6	6
C3R1866SC	-	18	6	6
C3R886SC	C3R886SCNKO	8	8	6
C3R1086SC	-	10	8	6
C3R10106SC	C3R10106SCNKO	10	10	6
C3R1286SC	-	12	8	6
C3R12106SC	-	12	10	6
C3R12126SC	C3R12126SCNKO	12	12	6
C3R15126SC	-	15	12	6
C3R16126SC	C3R16126SCNKO	16	12	6
C3R18126SC	-	18	12	6
C3R18186SC	C3R18186SCNKO	18	18	6
C3R24126SC	-	24	12	6
C3R24186SC	-	24	18	6
C3R24246SC	C3R24246SCNKO	24	24	6
C3R888SC	-	8	8	8
C3R2488SC	-	24	8	8
C3R12128SC	C3R12128SCNKO	12	12	8
C3R15128SC	-	15	12	8
C3R18128SC	-	18	12	8
C3R24168SC	-	24	16	8
C3R18188SC	C3R18188SCNKO	18	18	8
C3R24188SC	-	24	18	8
C3R24208SC	-	24	20	8
C3R24248SC	C3R24248SCNKO	24	24	8
C3R30248SC	-	30	24	8
C3R48368SC	-	48	36	8
C3R181810SC	-	18	18	10
C3R241810SC	C3R242410SCNKO	24	18	10
C3R242410SC	-	24	24	10
C3R302410SC	-	30	24	10
C3R242412SC	C3R242412SCNKO	24	24	12
C3R303012SC	C3R303012SCNKO	30	30	12
C3R363012SC	-	36	30	12
C3R363612SC	C3R363612SCNKO	36	36	12
C3R303016SC	-	30	30	16
C3R483616SC	-	48	36	16

Commercial Enclosures Junction Boxes

Type 3R Painted Galvanized Steel Junction Box *C3R HCR SM Series*

Hinge Door with Snap Latch and w/ Knockouts



Part No.	Enclosure			Optional Inner Panel		
	H	W	D	Part No.	H	W
C3R644HCR	6.00	4.00	4.00	N1JP64	4.25	2.25
C3R664HCR	6.00	6.00	4.00	N1JP66	4.25	4.25
C3R864HCR	8.00	6.00	4.00	N1JP86	6.25	4.25
C3R886HCR	8.00	8.00	6.00	N1JP88	6.25	6.25
C3R1086HCR	10.00	8.00	6.00	N1JP108	8.25	6.25
C3R12106HCR	12.00	10.00	6.00	N1JP1210	10.25	8.25
C3R12126HCR	12.00	12.00	6.00	N1JP1212	10.25	10.25
C3R121210HCR	12.00	12.00	10.00	N1JP1212	10.25	10.25

Quick Link: hammfg.com/C3RHCRSM

Application

- Designed for use as a wiring/junction box.
- Provides protection against rain, sleet, snow and dripping water.

Standards

- UL-50 Type 3R
- CSA Type 3R
- Complies with
 - NEMA Type 3R
 - IEC 60529, IP24

Construction

- Formed and spot welded from 16 gauge galvanized steel.
- Drip-shield top and seam-free sides, front and back.
- Galvanized steel hinge has stainless steel pin.
- Provisions for padlocking on zinc-plated draw pull catch.
- Easily removed knockouts on bottom of enclosure.
- Panel studs provided for mounting optional panels.
- External mounting feet.
- Oil resistant gaskets are permanently secured.

Finish

- Enclosure and cover are finished in ANSI 61 gray powder coating.

Accessories

- Additional Inner Panels...See Page **298**
- Perforated Inner Panels...See Page **301**

Technical references and CAD downloads available at www.hammondmfg.com

All dimensions in inches unless specified otherwise

Quality Products. Service Excellence.

Type 3R Painted Galvanized Steel Enclosure *C3R HCLO Series*

Lift-Off Hinge Door with Snap Latch

Commercial Enclosures

Panel Enclosures


 Quick Link: hammfg.com/C3RHCL0

Application

- Designed for use as a wiring/junction box.
- Provides protection against rain, sleet, snow and dripping water.

Standards

- UL-50 Type 3R
- CSA Type 3R
- Complies with
 - NEMA Type 3R
 - IEC 60529, IP24

Construction

- Formed and spot welded from 16 gauge galvanized steel (14 gauge when 24" wide)
- Extended height door and seam-free sides, front and back.
- Galvanized steel lift-off hinges with stainless steel pins.
- Cover fastened securely with zinc plated draw pull catches.
- Provisions for padlocking on zinc-plated draw pull catch.
- Embossed mounting holes on back.
- Foam gasket seal around door opening.

Finish

- Enclosure and cover are finished in ANSI 61 gray powder coating.

Accessories

- Additional Inner Panels...*See Page 294*
- Additional Inner Panels...*See Page 295*
- Swing Panel Kit...*See Page 302*

Part No.	Enclosure			Optional Inner Panel			Optional Panel	Optional Mount
	H	W	D	Part No.	H	W	Mounting Kit	Foot Kit
C3R864HCLO	8.00	6.00	4.00	14R0505	4.88	4.88	C3RHCL0PK1	C3RHCL0MFK1
C3R886HCLO	8.00	8.00	6.00	14R0705	6.75	4.88	C3RHCL0PK1	C3RHCL0MFK1
C3R1086HCLO	10.00	8.00	6.00	14R0707	6.75	6.88	C3RHCL0PK1	C3RHCL0MFK1
C3R12106HCLO	12.00	10.00	6.00	14R0909	8.75	8.88	C3RHCL0PK1	C3RHCL0MFK1
C3R12126HCLO	12.00	12.00	6.00	14R1109	10.75	8.88	C3RHCL0PK1	C3RHCL0MFK1
C3R16126HCLO	16.00	12.00	6.00	14R1311	12.75	10.88	C3RHCL0PK1	C3RHCL0MFK1
C3R16166HCLO	16.00	16.00	6.00	18P1313	13.00	13.00	C3RHCL0PK2	C3RHCL0MFK2
C3R20166HCLO	20.00	16.00	6.00	18P1713	17.00	13.00	C3RHCL0PK2	C3RHCL0MFK2
C3R20208HCLO	20.00	20.00	8.00	18P1717	17.00	17.00	C3RHCL0PK2	C3RHCL0MFK2
C3R24208HCLO	24.00	20.00	8.00	18P2117	21.00	17.00	C3RHCL0PK2	C3RHCL0MFK2
C3R24248HCLO	24.00	24.00	8.00	18P2121	21.00	21.00	C3RHCL0PK2	C3RHCL0MFK2
C3R30248HCLO	30.00	24.00	8.00	18P2721	27.00	21.00	C3RHCL0PK2	C3RHCL0MFK2

Type 3R Painted Galvanized Steel Wallmount Enclosure *C3R HCRMD Series*

Continuous Hinge Door with Screws



Quick Link: hammfg.com/C3RHCRMD

Application

- Designed for use as a wiring/junction box.
- Provides protection against rain, sleet, snow and dripping water.

Standards

- UL-50 Type 3R
- CSA Type 3R
 - Complies with
 - NEMA Type 3R
 - IEC 60529, IP24

Construction

- Formed and spot welded from 16 or 14 gauge galvanized steel.
- Drip shield top and seam-free sides, front and back.
- Stainless steel continuous hinge.
- Cover fastened with captive plated screws.
- Padlocking hasp.
- Collar studs provided for mounting optional panels.
- External mounting feet.
- Oil resistant gaskets are permanently secured.

Finish

- Enclosure and cover are finished inside and out in ANSI 61 gray powder coating.

Accessories

- Additional Inner Panels...*See Page 295*
- Ventilation...*See Page 272*
- Swing Panel Kit...*See Page 302*

Part No.	Enclosure			Optional Inner Panel		
	H	W	D	Part Number	H	W
C3R16126HCR	16.00	12.00	6.00	18P1309	13.00	9.00
C3R16166HCR	16.00	16.00	6.00	18P1313	13.00	13.00
C3R18186HCR	18.00	18.00	6.00	18P1515	15.00	15.00
C3R20166HCR	20.00	16.00	6.00	18P1713	17.00	13.00
C3R20208HCR	20.00	20.00	8.00	18P1717	17.00	17.00
C3R24208HCR	24.00	20.00	8.00	18P2117	21.00	17.00
C3R24248HCR	24.00	24.00	8.00	18P2121	21.00	21.00
C3R30248HCR	30.00	24.00	8.00	18P2721	27.00	21.00
C3R30308HCR	30.00	30.00	8.00	18P2727	27.00	27.00
C3R181810HCR	18.00	18.00	10.00	18P1515	15.00	15.00
C3R242410HCR	24.00	24.00	10.00	18P2121	21.00	21.00
C3R302410HCR	30.00	24.00	10.00	18P2721	27.00	21.00
C3R363610HCR	36.00	36.00	10.00	18P3333	33.00	33.00
C3R303012HCR	30.00	30.00	12.00	18P2727	27.00	27.00
C3R362412HCR	36.00	24.00	12.00	18P3321	33.00	21.00
C3R363012HCR	36.00	30.00	12.00	18P3327	33.00	27.00
C3R423012HCR	42.00	30.00	12.00	18P3927	39.00	27.00
C3R363612HCR	36.00	36.00	12.00	18P3333	33.00	33.00
C3R423612HCR	42.00	36.00	12.00	18P3933	39.00	33.00
C3R483612HCR	48.00	36.00	12.00	18P4533	45.00	33.00
C3R603612HCR	60.00	36.00	12.00	18P5733	57.00	33.00
C3R303016HCR	30.00	30.00	16.00	18P2727	27.00	27.00
C3R483616HCR	48.00	36.00	16.00	18P4533	45.00	33.00

Type 1 Mild Steel Splitter Box *CSB Series*

Hinged Door with Screw



Standards

- CSA Type 1
- Complies with
 - IEC 60529, IP20

Construction

- Formed and spot welded from 14 or 16 gauge steel.
- Factory installed splitter blocks - 3 or 4 wire option. Empty box without splitter blocks also offered.
- Series of knockouts on each side.
- Padlocking hasp.

Finish

- Enclosure and cover are finished in ANSI 61 gray powder coating.

Accessories

- Splitter Blocks...*See Page 236*
- Grounding Kits...*See Page 236*

Quick Link: hammfg.com/CSB

Application

- The splitter boxes are designed for indoor distribution of up to 600 A (max) service using either 3 or 4 wires. 75° C conductor ampacity permitted.

3 Wire Part No.	4 Wire Part No.	Less Blocks Part No.	CU/AL Amps	Enclosure			Splitter Block Reference
				H	W	D	
CSB73	CSB74	CSB70	70/70	12.00	10.00	4.00	CSBL125B
CSB103	CSB104	CSB100	125/120	15.00	10.00	4.00	CSBL125B
CSB203	CSB204	CSB200	225/180	18.00	12.00	5.00	CSBL225
CSB403	CSB404	CSB400	400/400	24.00	17.00	6.00	CSBL400
CSB603*	CSB604*	CSB600*	600/600	30.00	24.00	7.00	CSBL600

* 14 gauge steel

Commercial Enclosures

Splitter Boxes

Type 4/3R Mild Steel Splitter Box *CN4SB Series*

Hinge Door with Quarter Turn



Quick Link: hammfg.com/CN4SB

Application

- The splitter boxes are designed for distribution of up to 600 A (max) service using either 3 or 4 wires. 75° C conductor ampacity permitted.

Standards

- CSA Type 3R, 12, 4
- Complies with
 - IEC 60529, IP66

Construction

- Formed 16 gauge steel (14 gauge on 30x24)
- Factory installed splitter blocks.
- Smooth, continuously welded seams ground smooth.
- Door stiffeners are provided where required for increased strength and rigidity - designed to also permit additional mounting options.
- Formed lip on enclosure to exclude flowing liquids and contaminants.
- Door latches feature the added safety of quarter turn slot requiring use of tool for opening.
- Doors may be easily removed for modifications and are interchangeable.
- Seamless poured-in place gasket.
- Collar studs provided for mounting inner panel.
- Includes hardware kit with panel mounting nuts and sealing washers for wall mounting holes.
- Hinges are constructed from 304 stainless steel.
- Hinge pins are stainless steel.
- Inner panel is included.

Finish

- Cover and enclosure are finished in recoatable smooth ANSI 61 gray powder coating.
- Inner panel is finished in white powder coating.

Accessories

- Quarter Turn Inserts and Keys...*See Page 287*
- Mounting Foot Kit...*See Page 291*
- Rear Hole Plugs...*See Page 291*
- Replacement Hinge Pins...*See Page 288*
- Quarter Turn Assemblies...*See Page 287*
- Padlock Adaptor...*See Page 286*
- Splitter Blocks...*See Page 236*
- Grounding Kits...*See Page 236*
- Ventilation...*See Page 272*

3 Wire Part No.	4 Wire Part No.	CU/AL Amps	Enclosure			Optional Grounding Kit	Splitter Block Reference
			H	W	D		
CN4SB73	CN4SB74	70/70	12.00	10.00	5.00	CGK125	CSBL125B
CN4SB103	CN4SB104	125/120	15.00	10.00	5.00	CGK125	CSBL125B
CN4SB203	CN4SB204	225/180	18.00	12.00	5.00	CGK225	CSBL225
CN4SB403	CN4SB404	400/400	24.00	17.00	6.00	CGK400	CSBL400
CN4SB603*	CN4SB604*	600/600	30.00	24.00	7.00	CGK600	CSBL600

* 14 gauge steel

Type 4X Stainless Steel Splitter Box *CN4SBSS Series*

Hinge Door with Quarter Turn



Standards

- CSA Type 3R, 12, 4X
- Complies with
 - IEC 60529, IP66

Construction

- Formed 16 gauge Type 304 stainless steel (14 gauge on 30x24)
- Factory installed splitter blocks.
- Smooth, continuously welded seams ground smooth.
- Door stiffeners are provided where required for increased strength and rigidity - designed to also permit additional mounting options.
- Formed lip on enclosure to exclude flowing liquids and contaminants.
- Door latches feature the added safety of quarter turn slot requiring use of tool for opening.
- Doors may be easily removed for modifications and are interchangeable.
- Seamless poured-in place gasket.
- Collar studs provided for mounting inner panel.
- Includes hardware kit with panel mounting nuts and sealing washers for wall mounting holes.
- Hinges are constructed from 304 stainless steel.
- Hinge pins are stainless steel.
- Inner panel is included.

Quick Link: hammfg.com/CN4SBSS

Application

- The splitter boxes are designed for distribution of up to 600 A (max) service using either 3 or 4 wires. 75° C conductor ampacity permitted.

Finish

- Cover and enclosure are natural stainless steel with a smooth brushed finish.
- Inner panel is finished in white powder coating.

3 Wire Part No.	4 Wire Part No.	CU/AL Amps	Enclosure			Optional Grounding Kit	Splitter Block Reference
			H	W	D		
CN4SB73SS	CN4SB74SS	70/70	12.00	10.00	5.00	CGK125	CSBL125B
CN4SB103SS	CN4SB104SS	125/120	15.00	10.00	5.00	CGK125	CSBL125B
CN4SB203SS	CN4SB204SS	225/180	18.00	12.00	5.00	CGK225	CSBL225
CN4SB403SS	CN4SB404SS	400/400	24.00	17.00	6.00	CGK400	CSBL400
CN4SB603SS *	CN4SB604SS *	600/600	30.00	24.00	7.00	CGK600	CSBL600

* 14 gauge steel

Commercial Enclosures

Splitter Boxes

Type 1 Mild Steel Splitter Trough *CST Series*

Hinged Door with Screw



Application

- The splitter troughs are designed for distribution of up to 600 A (max) service using either 3 or 4 wires. 75° C conductor ampacity permitted.

Standards

- CSA Certified
- Complies with
 - IEC 60529, IP20

Construction

- Formed and spot welded from 16 gauge steel. When width is 8" or more, 14 gauge.
- Factory installed splitter blocks.
- Series of knockouts on each side.
- Padlocking hasp.

Finish

- Cover and enclosure are finished in recoatable smooth ANSI 61 gray powder coating.

Accessories

- Splitter Blocks...*See Page 236*
- Grounding Kits...*See Page 236*

Quick Link: hammfg.com/CST

3 Wire Part No.	4 Wire Part No.	Less Blocks Part No.	CU/AL Amps	Dimensions			Splitter Block Reference
				H	W	D	
CST273	CST274	-	70/70	24.00	6.00	4.00	CSBL125T
CST373	CST374	-	70/70	36.00	6.00	4.00	CSBL125T
CST473	CST474	-	70/70	48.00	6.00	4.00	CSBL125T
CST2103	CST2104	CST2100	125/120	24.00	6.00	4.00	CSBL125T
CST3103	CST3104	CST3100	125/120	36.00	6.00	4.00	CSBL125T
CST4103	CST4104	CST4100	125/120	48.00	6.00	4.00	CSBL125T
CST6103*	CST6104*	CST6100*	125/120	72.00	8.00	5.00	CSBL125T
CST2203*	-	CST2200*	225/225	24.00	8.00	5.00	CSBL225
CST3203*	CST3204*	CST3200*	225/225	36.00	8.00	5.00	CSBL225
CST4203*	CST4204*	CST4200*	225/225	48.00	8.00	5.00	CSBL225
CST5203*	CST5204*	CST5200*	225/225	60.00	8.00	5.00	CSBL225
CST6203*	CST6204*	-	225/225	72.00	8.00	5.00	CSBL225
CST3403*	-	CST3400*	400/400	36.00	10.00	6.00	CSBL400
CST4403*	CST4404*	CST4400*	400/400	48.00	10.00	6.00	CSBL400
CST5403*	CST5404*	CST5400*	400/400	60.00	10.00	6.00	CSBL400
CST6403*	CST6404*	CST6400*	400/400	72.00	10.00	6.00	CSBL400
CST4603*	CST4604*	-	600/600	48.00	10.00	6.00	CSBL600
CST5603*	CST5604*	-	600/600	60.00	10.00	6.00	CSBL600
CST6603*	CST6604*	-	600/600	72.00	10.00	6.00	CSBL600

* 14 gauge steel

Commercial Enclosures Splitter Trough

Type 4/3R Mild Steel Splitter Trough *CN4ST Series*

Hinge Door with Quarter Turn



**Inner
Panel
Included**

Quick Link: hammfg.com/CN4ST

Application

- The splitter troughs are designed for distribution of up to 600 A (max) service using either 3 or 4 wires. 75° C conductor ampacity permitted.

Standards

- CSA Certified Type 3R, 12, 4
- Complies with
 - IEC 60529, IP66

Construction

- Formed and spot welded from 16 gauge steel. When width is 8" or more, 14 gauge.
- Factory installed splitter blocks.
- Smooth, continuously welded seams ground smooth.
- Door stiffeners are provided where required for increased strength and rigidity - designed to also permit additional mounting options.
- Formed lip on enclosure to exclude flowing liquids and contaminants.
- Door latches feature the added safety of quarter turn slot requiring use of tool for opening.
- Doors may be easily removed for modifications and are interchangeable.
- Seamless poured-in place gasket.
- Collar studs provided for mounting inner panel.
- Includes hardware kit with panel mounting nuts and sealing washers for wall mounting holes.
- Hinges are constructed from 304 stainless steel.
- Hinge pins are stainless steel.
- Inner panel is included.

Finish

- Cover and enclosure are finished in recoatable smooth ANSI 61 gray powder coating.
- Inner panel is finished in white powder coating.

Accessories

- Quarter Turn Inserts and Keys...*See Page 287*
- Mounting Foot Kit...*See Page 291*
- Rear Hole Plugs...*See Page 291*
- Replacement Hinge Pins...*See Page 288*
- Quarter Turn Assemblies...*See Page 287*
- Padlock Adaptor...*See Page 286*
- Splitter Blocks...*See Page 236*
- Grounding Kits...*See Page 236*

3 Wire Part No.	4 Wire Part No.	CU/AL Amps	Enclosure			Optional Grounding Kit	Splitter Block Reference
			H	W	D		
CN4ST273	CN4ST274	70/70	24.00	6.00	5.00	CGK225	CSBL125T
CN4ST373	CN4ST374	70/70	36.00	6.00	5.00	CGK225	CSBL125T
CN4ST473	CN4ST474	70/70	48.00	6.00	5.00	CGK225	CSBL125T
CN4ST2103	CN4ST2104	125/120	24.00	6.00	5.00	CGK225	CSBL125T
CN4ST3103	CN4ST3104	125/120	36.00	6.00	5.00	CGK225	CSBL125T
CN4ST4103	CN4ST4104	125/120	48.00	6.00	5.00	CGK225	CSBL125T
CN4ST6103	CN4ST6104	125/120	72.00	8.00	6.00	CGK225	CSBL125T
CN4ST2203	-	225/225	24.00	8.00	5.00	CGK225	CSBL225
CN4ST3203	CN4ST3204	225/225	36.00	8.00	6.00	CGK225	CSBL225
CN4ST4203	CN4ST4204	225/225	48.00	8.00	6.00	CGK225	CSBL225
CN4ST5203	CN4ST5204	225/225	60.00	8.00	6.00	CGK225	CSBL225
CN4ST6203	CN4ST6204	225/225	72.00	8.00	6.00	CGK225	CSBL225
CN4ST3403	-	400/400	36.00	10.00	6.00	CGK400	CSBL400
CN4ST4403	CN4ST4404	400/400	48.00	10.00	6.00	CGK400	CSBL400
CN4ST5403	CN4ST5404	400/400	60.00	10.00	6.00	CGK400	CSBL400
CN4ST6403	CN4ST6404	400/400	72.00	10.00	6.00	CGK400	CSBL400
CN4ST4603	CN4ST4604	600/600	48.00	10.00	6.00	CGK600	CSBL600
CN4ST5603	CN4ST5604	600/600	60.00	10.00	6.00	CGK600	CSBL600
CN4ST6603	CN4ST6604	600/600	72.00	10.00	6.00	CGK600	CSBL600

Technical references and CAD downloads available at www.hammondmfg.com

All dimensions in inches unless specified otherwise

Type 4X Stainless Steel Splitter Trough *CN4STSS Series*

Hinged Door with Quarter Turn



Quick Link: hammfg.com/CN4STSS

Application

- The splitter troughs are designed for distribution of up to 600 A (max) service using either 3 or 4 wires. 75° C conductor ampacity permitted.
- Stainless steel construction provides corrosion resistance in outdoor or more hostile environments.

Standards

- CSA Certified Type 3R, 12, 4X
- Complies with
 - IEC 60529, IP66

Construction

- Formed and spot welded from 16 gauge 304 stainless steel. When width is 8" or more, 14 gauge.
- Factory installed splitter blocks.
- Smooth, continuously welded seams ground smooth.
- Door stiffeners are provided where required for increased strength and rigidity - designed to also permit additional mounting options.
- Formed lip on enclosure to exclude flowing liquids and contaminants.
- Door latches feature the added safety of quarter turn slot requiring use of tool for opening.
- Doors may be easily removed for modifications and are interchangeable.
- Seamless poured-in place gasket.
- Collar studs provided for mounting inner panel.
- Includes hardware kit with panel mounting nuts and sealing washers for wall mounting holes.
- Hinges are constructed from 304 stainless steel.
- Hinge pins are stainless steel.
- Inner panel is included.

Finish

- Cover and enclosure are natural stainless steel with a smooth brushed finish.
- Inner panel is finished in white powder coating.

3 Wire		4 Wire		CU/AL			Enclosure			Optional		Splitter	
Part No.	Part No.	Amps	H	W	D	Grounding Kit	Block Reference						
CN4ST273SS	CN4ST274SS	70/70	24.00	6.00	5.00	CGK225	CSBL125T						
CN4ST373SS	CN4ST374SS	70/70	36.00	6.00	5.00	CGK225	CSBL125T						
CN4ST473SS	CN4ST474SS	70/70	48.00	6.00	5.00	CGK225	CSBL125T						
CN4ST2103SS	CN4ST2104SS	125/120	24.00	6.00	5.00	CGK225	CSBL125T						
CN4ST3103SS	CN4ST3104SS	125/120	36.00	6.00	5.00	CGK225	CSBL125T						
CN4ST4103SS	CN4ST4104SS	125/120	48.00	6.00	5.00	CGK225	CSBL125T						
CN4ST6103SS	CN4ST6104SS	125/120	72.00	8.00	6.00	CGK225	CSBL125T						
CN4ST2203SS	-	225/225	24.00	8.00	5.00	CGK225	CSBL225						
CN4ST3203SS	CN4ST3204SS	225/225	36.00	8.00	6.00	CGK225	CSBL225						
CN4ST4203SS	CN4ST4204SS	225/225	48.00	8.00	6.00	CGK225	CSBL225						
CN4ST5203SS	CN4ST5204SS	225/225	60.00	8.00	6.00	CGK225	CSBL225						
CN4ST6203SS	CN4ST6204SS	225/225	72.00	8.00	6.00	CGK225	CSBL225						
CN4ST3403SS	-	400/400	36.00	10.00	6.00	CGK400	CSBL400						
CN4ST4403SS	CN4ST4404SS	400/400	48.00	10.00	6.00	CGK400	CSBL400						
CN4ST5403SS	CN4ST5404SS	400/400	60.00	10.00	6.00	CGK400	CSBL400						
CN4ST6403SS	CN4ST6404SS	400/400	72.00	10.00	6.00	CGK400	CSBL400						
CN4ST4603SS	CN4ST4604SS	600/600	48.00	10.00	6.00	CGK600	CSBL600						
CN4ST5603SS	CN4ST5604SS	600/600	60.00	10.00	6.00	CGK600	CSBL600						
CN4ST6603SS	CN4ST6604SS	600/600	72.00	10.00	6.00	CGK600	CSBL600						

Splitter Blocks

Application

- These blocks are used in Hammond standard splitter troughs and boxes.
- The design includes the main and branch lugs which can use either copper or aluminum conductors.
- All blocks are rated 600 V.
- 75° C conductor ampacity permitted.

Construction

- Cu-Al monopiece connectors are secured to insulators.
- Each block includes a main lug and branch lugs.

Finish

- N/A



Part No.	Main Lug Ampacity	Max./Min. Wire Capacity	Branch Lugs Ampacity	Max./Min. Wire Capacity
CSBL125B	125	1/0 - 14	3/70	3 x (2-14)
CSBL125T	125	1/0 - 14	6/70	6 x (2-14)
CSBL225	225	300MCM - 6	6/125	6 x (2/0-14)
CSBL400	400	600MCM - 4 or (2x) 250 MCM - 1/0	6/200	6 x (3/0-14)
CSBL600	600	(2x) 600MCM - 4 or (4x) 250MCM - 1/0	6/200	6 x (3/0-14)

Grounding Kits

Application

- Designed for use with aluminum and copper conductors.

Standards

- CSA Certified

Construction

- Lugs are constructed from high strength, high conductive aluminum alloy 6061-T6, rated at 90°C.
- Kits are supplied with all necessary mounting hardware.

Finish

- N/A



Part No.	Application	Number of Circuits and Wire Sizes
CGK125	Splitter Box 70 A, 125 A	4 x (2-14 CU-AL)
CGK225	Splitter Box 225 A/Trough 70 A, 125A, 225 A	7 x (2-14 CU-AL)
CGK400	Splitter Box/Trough 400 A	7 x (2-14 CU-AL) & 1 x (1/0-14 CU-AL)
CGK600	Splitter Box/Trough 600 A	7 x (2-14 CU-AL) & 1 x (300 MCM - 6 CU-AL)
CGK	Junction/Pull Box	3 x (4-14 CU-AL)

Type 1 Mild Steel Metering Cabinets *CMC Series*

Hinge Door with Quarter Turn



Quick Link: hammfg.com/CMC

Application

- Designed for indoor housing of metering transformers.

Standards

- CSA Type 1
- Complies with
 - IEC 60529, IP20

Construction

- Formed and spot welded from 14 or 16 gauge steel.
- Spot welded construction and formed edges.
- Removable inner panel.
- Single and Double Door versions
- Hinged covers - single door with hasp closure, double door with hasp and quarter turn closure.
- 2 cutouts in top of each cabinet with metering plates included (except 27x13x10")

Finish

- Enclosure and cover are finished in ANSI 61 gray inside and out.
- Inner panel is finished in white powder coating

Part No.	Type of Door	Enclosure			Inner Panel	
		H	W	D	H	W
CMC202010	Single	20.00	20.00	10.00	16.00	16.00
CMC271310*	Single	27.00	13.00	10.00	23.00	9.00
CMC302010	Single	30.00	20.00	10.00	26.00	16.00
CMC303010	Double	30.00	30.00	10.00	26.00	26.00
CMC363612	Double	36.00	36.00	12.00	32.00	32.00
CMC484812	Double	48.00	48.00	12.00	44.00	44.00

* No cutouts in top or metering plates

Type 1 Mild Steel Metering Cabinets (Hydro Quebec Version) *CMC Q Series*

Hinge Door with Quarter Turn

Commercial Enclosures Metering Cabinets


 Quick Link: hammfg.com/CMCQ

Application

- Designed for indoor housing of metering transformers per Hydro Quebec specifications.

Standards

- CSA Type 1
- Complies with
 - IEC 60529, IP20

Construction

- Formed and spot welded from 14 or 16 gauge steel.
- Spot welded construction and formed edges.
- Removable inner panels.
- Hinged covers.
- 2 cutouts in top of each cabinet with metering plates included.

Finish

- Enclosure and cover are finished in ANSI 61 gray inside and out.
- Inner panel is finished in ANSI 61 gray powder coating.

Enclosure

Part No.	H	W	D	Gauge
CMCQ303010	30.00	30.00	10.00	16
CMCQ363612	36.00	36.00	12.00	14
CMCQ484812	48.00	48.00	12.00	14

Panels

Part No.	Description	H	W
CMCQP1	Accessory Plate	24.68	7.00
CMCQP2	Universal Support Current Panel	12.76	13.39
CMCQP3	Universal Support Voltage Panel	25.59	15.01

Panel Selection Guide

Part No.	Panel supplied with enclosure			Panel capacity per enclosure		
	CMCQP1	CMCQP2	CMCQP3	CMCQP1	CMCQP2	CMCQP3
CMCQ303010	1	1	1	1	1	1
CMCQ363612	1	1	1	2	1	1
CMCQ484812	1	1	1	2	2	1

Type 1 Mild Steel Metering Cabinets (Ontario Hydro Version) *CMC O Series*

Hinge Door with Handle and Viewing Window



Quick Link: hammfg.com/CMCO

Application

- Designed for certain specific Ontario metering applications.

Standards

- N/A

Construction

- Spot welded 16 gauge steel construction.
- Heavy duty padlockable "L" handle.
- Viewing window with removable cover plate.
- Pre-mounted ground lug.
- Inner panel with pre-drilled holes and mounting bracket.
- Oil resistant gasket.

Finish

- Enclosure and cover are finished in ANSI 61 gray inside and out.
- Inner panel is finished in ANSI 61 gray powder coating.

Part No.	Enclosure			Inner Panel	
	H	W	D	H	W
CMCO241610	24	16	10	20.5	14.75

Type 3R Mild Steel Metering Cabinets *C3RMC Series*

Hinge Door with Handle

Commercial Enclosures Metering Cabinets



Quick Link: hammfg.com/C3RMC

Application

- Designed for outdoor housing of metering transformers.

Standards

- CSA Approved, Type 3R
- Complies with
 - NEMA Type 3R
 - IEC 60529, IP24

Construction

- Offered in single and double door versions.
- Formed and seam welded from 14 or 16 gauge steel.
- Smooth, continuously welded seams ground smooth.
- Formed lip on enclosure to exclude flowing liquids and contaminants.
- Padlockable “L” style handle for 3 point latch system
- Oil resistant gaskets are permanently secured.
- Removable inner panel included.
- Collar studs provided for mounting inner panel.
- Doors may be easily removed for modifications and are interchangeable.
- Bonding stud provided on door and grounding stud installed in enclosure.
- Hinges are constructed from 304 stainless steel.
- Hinge pins are stainless steel.

Finish

- Cover and enclosure are phosphatized and finished with a recoatable ANSI 61 smooth Gray powder inside and out.
- Removable inner panel is finished in white powder coating.

Accessories

- Door Stop Kit...*See Page 320*
- Drip Shield Kit...*See Page 319*
- Mounting Foot Kit...*See Page 291*
- Ventilation...*See Page 272*

Part No.	Type of Door	Enclosure			Inner Panel	
		H	W	D	H	W
C3RMC202010	Single	20.00	20.00	10.00	18.17	18.17
C3RMC271310	Single	27.00	13.00	10.00	25.17	11.17
C3RMC302010	Single	30.00	20.00	10.00	28.17	18.17
C3RMC303010	Double	30.00	30.00	10.00	28.17	28.17
C3RMC363612	Double	36.00	36.00	12.00	34.17	34.17
C3RMC484812	Double	48.00	48.00	12.00	46.17	46.17

Type 3R Current Transformer Cabinet *HCT Series*

Single and Double Door Enclosures



Quick Link: hammfg.com/HCT

Application

- Designed for use as Current Transformer Cabinet to house and protect instrument current transformers in outdoor applications.
- Can also be used as a general purpose enclosure for various junction, meter, transformer and relay applications..
- Provides protection against rain, sleet, snow and dripping water.

Standards

- UL 50 Type 3R
- Complies with
 - NEMA Type 3R
 - IEC 60529, IP24

Construction

- Body and covers formed from 14 gauge galvanized steel (12 gauge for units 30" and wider)
- Mounting studs for optional inner panels
- Integral drip shield top and seam free sides
- Mounting holes provided through back of enclosure
- Permanently installed lift off hinges
- Removable doors
- Single door design with hasp/screw closure. Double door design with handle.
- Padlocking provisions provided
- ANSI 61 Gray Polyester Powder finish inside and outside

Finish

- Cover and enclosure are phosphatized and finished with a recoatable ANSI 61 smooth Gray powder inside and out.

Accessories

- Additional Inner Panels...*See Page 295*
- Perforated Inner Panels...*See Page 299*
- Door Stop Kit...*See Page 320*
- Ventilation...*See Page 272*

Part No.	Type of Door	Enclosure			Optional Panel Part No.
		H	W	D	
HCT302411H	Single	30.00	24.00	11.00	18P2721
HCT362011H	Single	36.00	20.00	11.00	18P3317
HCT363011H	Single	36.00	30.00	11.00	18P3327
HCT363611H	Single	36.00	36.00	11.00	18P3333
HCT482411H	Single	48.00	24.00	11.00	18P4521
HCT483011H	Single	48.00	30.00	11.00	18P4527
HCT483611H	Single	48.00	36.00	11.00	18P4533
HCT484814H	Double	48.00	48.00	14.00	18P4545

Type 1 Mild Steel Component Case *1416 Series*

Ventilated Cover with Screws

Commercial Enclosures
Vented Cases



Quick Link: hammfg.com/1416

Application

- Designed to provide mechanical protection for components requiring ventilation.
- Suitable for use where heat dissipation is required.

Standards

- Complies with
 - NEMA Type 1

Construction

- Base is formed from 16 gauge steel with two 0.5"/0.75" conduit knockouts located in each end.
- Four .125" high raised dimples with mounting holes are provided on the base.
- Cover is formed from 18 gauge steel with 0.235" x 1.5" ventilating slots (0.199" x 1.12" on E & G only).
- Screw holes and offsets in the cover allow easy assembly.























Finish

- Base and cover are finished in ANSI 61 gray powder coating.

Part No.	Enclosure		
	H	W	D
1416E	6.00	4.00	4.00
1416G	10.00	4.00	4.00
1416I	10.00	6.00	6.00
1416K	11.00	7.00	7.00
1416M	12.00	8.00	8.00
1416O	15.00	10.00	8.00
1416Q	20.00	10.00	8.00
1416T	20.00	10.00	10.00

Climate Control

Climate Control

	Air Conditioners - Selection Guide 246		Exhaust Filters PFA3R Series Type 3R 260
	Air-Air Heat Exchangers - Selection Guide 249		Replacement Filters PFFG4 Series Type 12/3R (4th Generation) 260
	Air-Water Heat Exchangers - Selection Guide 251		266-485 CFM Top Mount Filterfans PTF GEN4 Series Type 12 261
	Water Chillers EB-RACK Series 253		105-550 CFM Filtered Fan Boxes XF Series 262
	17-38 CFM Filterfans PF GEN4 Series Type 12 254		Filter Fan Kits DNFF Series 263
	65 CFM Filterfans PF GEN4 Series Type 12 255		Filter Fan Grills XPFA Series 264
	94-169 CFM Filterfans PF GEN4 Series Type 12 256		Filterfan Rainhoods - 3R RH Series 265
	297-560 CFM Filterfans PF GEN4 Series Type 12 257		Filterfan Rainhoods - 4/4X RHN4 Series 266
	152-427 CFM Slimline Filterfans PF SL GEN4 Series Type 12 258		Rack Mount Fan Tray FT Series 267
	Outdoor Filter Fans Type 3R 259		Rack Mount Intake Blowers HB Series 268
	Exhaust Filters PFAG4 Series Type 12 260		Fan Panel Assembly PPG Series 268

Climate Control

	125-1300 W Fan Heater with Thermostat FLH Series..... 269		Type 3R Louvered Vent Kits 1481L3R Series..... 274
	250-400 W Fan Heater SHGL Series..... 269		Type 1 Louvered Ventilating Plates 1481L Series 274
	550-650 W High Wattage Fan Heater SCR Series..... 270		Thermostats SKT Series 275
	15-150 W Heater SHG Series..... 270		Filter Coat 1475 Series 275
	10-30 W Mini Radiant Heaters SHGM Series..... 271		Twin Thermostats SKTD Series..... 276
	100-400 W Control Panel Heater SHV Series..... 271		Mechanical Humidistat SKH Series..... 276
	Large Rainproof Ventilator SDV LG 272		Humidity and Temperature Control SKTH Series..... 277
	Small Rainproof Ventilator SDV SM..... 272		Condensate Bottle 278
	Pressure Compensation Plug BDN Series..... 272		Water Condensate Evaporator KVD Series..... 278
	Breather Kit SDA Series 273		Filter Kits DTSFK Series For DTS3XXX Series..... 277
	Ventilation Kit Type 4X SDV N4..... 273		

Air Conditioners - Selection Guide



Overview

- Hammond Manufacturing offers an extensive line up of air conditioner solutions.
- Indoor units, Outdoor units and Stainless Steel units to suit your application
- Full technical specifications and cut-out diagrams are available on our website.
- For climate control selection assistance, please utilize our Online Sizing Software.

Quick Link: hammfg.com/AC-SG

Type 12 Side Mount Air Conditioners

Climate Control

Part #	Voltage	BTU (@ 95F/95F)	Protective		Dimensions		
			Rating	Finish	H	W	D
DTS3021A115LG	115	1194	NEMA 12/IP54	RAL 7035	15.50	7.00	7.75
DTS3021A230LG	230	1194	NEMA 12/IP54	RAL 7035	15.50	7.00	7.75
DTS3041A115LG	115	2700	NEMA 12/IP54	RAL 7035	20.15	10.05	10.77
DTS3041A230LG	230	2700	NEMA 12/IP54	RAL 7035	20.15	10.05	10.77
DTS3041A460LG	460	2700	NEMA 12/IP54	RAL 7035	20.15	10.05	10.77
DTS3141SLA115LG	115	5097	NEMA 12/IP54	RAL 7035	36.00	12.30	14.40
DTS3141SLA230LG	230	5097	NEMA 12/IP54	RAL 7035	36.00	12.30	14.40
DTS3141SLA460LG	460	5097	NEMA 12/IP54	RAL 7035	36.00	12.30	14.40
DTS3141A115LG	115	4100	NEMA 12/IP54	RAL 7035	29.46	15.55	11.50
DTS3141A230LG	230	4100	NEMA 12/IP54	RAL 7035	29.46	15.55	11.50
DTS3141A460LG	460	4100	NEMA 12/IP54	RAL 7035	29.46	15.55	11.50
DTS3241A115LG	115	6825	NEMA 12/IP54	RAL 7035	47.61	15.55	12.77
DTS3241A230LG	230	6825	NEMA 12/IP54	RAL 7035	47.61	15.55	12.77
DTS3241A460LG	460	6825	NEMA 12/IP54	RAL 7035	47.61	15.55	12.77
DTS3145A115LG	115	6142	NEMA 12/IP54	RAL 7035	36.65	11.89	14.40
DTS3145A230LG	230	6995	NEMA 12/IP54	RAL 7035	36.65	11.89	14.40
DTS3145A460LG	460	6995	NEMA 12/IP54	RAL 7035	36.65	11.89	14.40
DTS3245A115LG	115	11600	NEMA 12/IP54	RAL 7035	53.00	16.00	14.40
DTS3245A230LG	230	11000	NEMA 12/IP54	RAL 7035	53.00	16.00	14.40
DTS3245A460LG	460	12000	NEMA 12/IP54	RAL 7035	53.00	16.00	14.40
DTS3441CA230LG	230	20840	NEMA 12/IP54	RAL 7035	57.20	15.80	16.10
DTS3441CA460LG	460	20434	NEMA 12/IP54	RAL 7035	57.20	15.80	16.10
DTS3641CA230LG	230	25181	NEMA 12/IP54	RAL 7035	57.20	15.80	16.10
DTS3641CA460LG	460	25526	NEMA 12/IP54	RAL 7035	57.20	15.80	16.10

For ANSI 61 Gray color, substitute GY in place of LG at end of part number

Air Conditioners - Selection Guide

Type 12 Top Mount Air Conditioners

Part #	Voltage	BTU (@ 95F/95F)	Protective		Dimensions		
			Rating	Finish	H	W	D
DTT6101B115LG	115	2250	NEMA 12/IP54	RAL 7035	17.13	23.41	15.55
DTT6101B230LG	230	2300	NEMA 12/IP54	RAL 7035	17.13	23.41	15.55
DTT6201B115LG	115	3500	NEMA 12/IP54	RAL 7035	17.13	23.41	15.55
DTT6201B230LG	230	3680	NEMA 12/IP54	RAL 7035	17.13	23.41	15.55
DTT6201B460LG	460	3500	NEMA 12/IP54	RAL 7035	17.13	23.41	15.55
DTT6301B115LG	115	5520	NEMA 12/IP54	RAL 7035	17.13	23.43	19.49
DTT6301B230LG	230	5520	NEMA 12/IP54	RAL 7035	17.13	23.43	19.49
DTT6301B460LG	460	5520	NEMA 12/IP54	RAL 7035	17.13	23.43	19.49
DTT6401B115LG	115	7160	NEMA 12/IP54	RAL 7035	17.13	23.43	19.49
DTT6401B230LG	230	7160	NEMA 12/IP54	RAL 7035	17.13	23.43	19.49
DTT6401B460LG	460	7160	NEMA 12/IP54	RAL 7035	17.13	23.43	19.49
DTT6601B460LG	460	11000	NEMA 12/IP54	RAL 7035	19.09	31.30	22.64
DTT6801B460LG	460	14500	NEMA 12/IP54	RAL 7035	19.09	31.30	22.60

Type 3R/4 Outdoor Side Mount Air Conditioners

Part #	Voltage	BTU (@ 95F/95F)	Protective		Dimensions		
			Rating	Finish	H	W	D
DTS3031A115N3LG	115	1194	NEMA 3R/4/IP56	RAL 7035	15.50	7.00	7.75
DTS3031A230N3LG	230	1194	NEMA 3R/4/IP56	RAL 7035	15.50	7.00	7.75
DTS3061A115N3LG	115	2700	NEMA 3R/4/IP56	RAL 7035	20.15	10.05	10.77
DTS3061A230N3LG	230	2700	NEMA 3R/4/IP56	RAL 7035	20.15	10.05	10.77
DTS3061A460N3LG	460	2700	NEMA 3R/4/IP56	RAL 7035	20.15	10.05	10.77
DTS3161SLA2N3LG	230	5097	NEMA 3R/4/IP56	RAL 7035	36.00	12.30	14.40
DTS3161SLA4N3LG	460	5097	NEMA 3R/4/IP56	RAL 7035	36.00	12.30	14.40
DTS3161A115N3LG	115	4100	NEMA 3R/4/IP56	RAL 7035	29.46	15.55	11.50
DTS3161A230N3LG	230	4100	NEMA 3R/4/IP56	RAL 7035	29.46	15.55	11.50
DTS3161A460N3LG	460	4100	NEMA 3R/4/IP56	RAL 7035	29.46	15.55	11.50
DTS3261A115N3LG	115	6825	NEMA 3R/4/IP56	RAL 7035	47.61	15.55	12.77
DTS3261A230N3LG	230	6825	NEMA 3R/4/IP56	RAL 7035	47.61	15.55	12.77
DTS3261A460N3LG	460	6825	NEMA 3R/4/IP56	RAL 7035	47.61	15.55	12.77
DTS3165A115N3LG	115	6142	NEMA 3R/4/IP56	RAL 7035	36.65	11.89	14.40
DTS3165A230N3LG	230	6995	NEMA 3R/4/IP56	RAL 7035	36.65	11.89	14.40
DTS3165A460N3LG	460	6995	NEMA 3R/4/IP56	RAL 7035	36.65	11.89	14.40
DTS3265A115N3LG	115	11600	NEMA 3R/4/IP56	RAL 7035	53.00	16.00	14.40
DTS3265A230N3LG	230	11000	NEMA 3R/4/IP56	RAL 7035	53.00	16.00	14.40
DTS3265A460N3LG	460	12000	NEMA 3R/4/IP56	RAL 7035	53.00	16.00	14.40
DTS3461A230N3LG	230	17091	NEMA 3R/4/IP56	RAL 7035	56.75	16.00	16.00
DTS3461A460N3LG	460	17091	NEMA 3R/4/IP56	RAL 7035	56.75	16.00	16.00
DTS3661A230N3LG	230	19848	NEMA 3R/4/IP56	RAL 7035	65.50	19.00	20.50
DTS3661A460N3LG	460	20825	NEMA 3R/4/IP56	RAL 7035	65.50	19.00	20.50

For ANSI 61 Gray color, substitute GY in place of LG at end of part number

Climate Control

Air Conditioners - Selection Guide

Type 4X Stainless Outdoor Side Mount Air Conditioners

Part #	Voltage	BTU		Protective		Dimensions		
			(@ 95F/95F)	Rating	Finish	H	W	D
DTS3031A115N4SS	115	1194	NEMA 4X/IP56	#4 304SS	15.50	7.00	7.75	
DTS3031A230N4SS	230	1194	NEMA 4X/IP56	#4 304SS	15.50	7.00	7.75	
DTS3081A115N4SS	115	2700	NEMA 4X/IP56	#4 304SS	20.15	10.05	10.77	
DTS3081A230N4SS	230	2700	NEMA 4X/IP56	#4 304SS	20.15	10.05	10.77	
DTS3081A460N4SS	460	2700	NEMA 4X/IP56	#4 304SS	20.15	10.05	10.77	
DTS3181SLA2N4SS	230	5097	NEMA 4X/IP56	#4 304SS	36.00	12.30	14.40	
DTS3181SLA4N4SS	460	5097	NEMA 4X/IP56	#4 304SS	36.00	12.30	14.40	
DTS3181A115N4SS	115	4100	NEMA 4X/IP56	#4 304SS	29.46	15.55	11.50	
DTS3181A230N4SS	230	4100	NEMA 4X/IP56	#4 304SS	29.46	15.55	11.50	
DTS3181A460N4SS	460	4100	NEMA 4X/IP56	#4 304SS	29.46	15.55	11.50	
DTS3281A115N4SS	115	6825	NEMA 4X/IP56	#4 304SS	47.61	15.55	12.77	
DTS3281A230N4SS	230	6825	NEMA 4X/IP56	#4 304SS	47.61	15.55	12.77	
DTS3281A460N4SS	460	6825	NEMA 4X/IP56	#4 304SS	47.61	15.55	12.77	
DTS3185A115N4SS	115	6142	NEMA 4X/IP56	#4 304SS	36.65	11.89	14.40	
DTS3185A230N4SS	230	6995	NEMA 4X/IP56	#4 304SS	36.65	11.89	14.40	
DTS3185A460N4SS	460	6995	NEMA 4X/IP56	#4 304SS	36.65	11.89	14.40	
DTS3285A115N4SS	115	11600	NEMA 4X/IP56	#4 304SS	53.00	16.00	14.40	
DTS3285A230N4SS	230	11000	NEMA 4X/IP56	#4 304SS	53.00	16.00	14.40	
DTS3285A460N4SS	460	12000	NEMA 4X/IP56	#4 304SS	53.00	16.00	14.40	
DTS3481A230N4SS	230	17091	NEMA 4X/IP56	#4 304SS	56.75	16.00	16.00	
DTS3481A460N4SS	460	17091	NEMA 4X/IP56	#4 304SS	56.75	16.00	16.00	
DTS3681A230N4SS	230	19848	NEMA 4X/IP56	#4 304SS	65.50	19.00	20.50	
DTS3681A460N4SS	460	20825	NEMA 4X/IP56	#4 304SS	65.50	19.00	20.50	

Climate Control

Air-Air Heat Exchangers - Selection Guide



Overview

- Hammond Manufacturing offers an extensive line up of air to air heat exchanger solutions.
- Indoor units, Outdoor units and Stainless Steel units to suit your application
- Full technical specifications and cut-out diagrams are available on our website.
- For climate control selection assistance, please utilize our Online Sizing Software.

Quick Link: hammfg.com/HXAA-SG

Type 12 Air to Air Heat Exchangers

Part No.	Voltage - Frequency	Cooling Capacity		Dimensions			Sample Performance
		W/°C	W/°F	H	W	D	T = 20°C/36°F
PKS3131A115LG	115V 60 Hz	65	36	35.31	11.97	10.65	1300W (4400 BTU)
PKS3131A230LG	230V 50/60 Hz	65	36	35.31	11.97	10.65	1300W (4400 BTU)
PKS3131A460LG	400/460V 50/60 Hz	65	36	35.31	11.97	10.65	1300W (4400BTU)
PKS3201A115LG	115V 60 Hz	100	56	35.31	11.97	10.65	2000W (6800 BTU)
PKS3201A230LG	230V 50/60 Hz	100	56	35.31	11.97	10.65	2000W (6800 BTU)
PKS3201A460LG	400/460V 50/60 Hz	100	56	35.31	11.97	10.65	2000W (6800 BTU)
PKS3301A115LG	115V 60 Hz	150	83	35.31	11.97	10.65	3000W (10200 BTU)
PKS3301A230LG	230V 50/60 Hz	150	83	35.31	11.97	10.65	3000W (10200 BTU)
PKS3301A460LG	400/460V 50/60 Hz	150	83	35.31	11.97	10.65	3000W (10200 BTU)
PKS3361A115LG	115V 60 Hz	180	100	35.31	11.97	10.65	3600W (12200 BTU)
PKS3361A230LG	230V 50/60 Hz	180	100	35.31	11.97	10.65	3600W (12200 BTU)
PKS3361A460LG	400/460V 50/60 Hz	180	100	35.31	11.97	10.65	3600W (12200 BTU)

Air-Air Heat Exchangers - Selection Guide

Type 3R/4 Air to Air Heat Exchangers

Part No.	Voltage - Frequency	Cooling Capacity		Dimensions			Sample Performance
		W/°C	W/°F	H	W	D	T = 20°C/36°F
PKS3133A115N4LG	115V 60 Hz	65	36	35.30	11.97	16.04	1300W (4400 BTU)
PKS3133A230N4LG	230V 50/60 Hz	65	36	35.30	11.97	16.04	1300W (4400 BTU)
PKS3133A460N4LG	400/460V 50/60 Hz	65	36	35.30	11.97	16.04	1300W (4400BTU)
PKS3203A115N4LG	115V 60 Hz	100	56	35.30	11.97	16.04	2000W (6800 BTU)
PKS3203A230N4LG	230V 50/60 Hz	100	56	35.30	11.97	16.04	2000W (6800 BTU)
PKS3203A460N4LG	400/460V 50/60 Hz	100	56	35.30	11.97	16.04	2000W (6800 BTU)
PKS3303A115N4LG	115V 60 Hz	150	83	35.30	11.97	16.04	3000W (10200 BTU)
PKS3303A230N4LG	230V 50/60 Hz	150	83	35.30	11.97	16.04	3000W (10200 BTU)
PKS3303A460N4LG	400/460V 50/60 Hz	150	83	35.30	11.97	16.04	3000W (10200 BTU)
PKS3363A115N4LG	115V 60 Hz	180	100	35.30	11.97	16.04	3600W (12200 BTU)
PKS3363A230N4LG	230V 50/60 Hz	180	100	35.30	11.97	16.04	3600W (12200 BTU)
PKS3363A460N4LG	400/460V 50/60 Hz	180	100	35.30	11.97	16.04	3600W (12200 BTU)

Type 4X Stainless Air to Air Heat Exchangers

Part No.	Voltage - Frequency	Cooling Capacity		Dimensions			Sample Performance
		W/°C	W/°F	H	W	D	T = 20°C/36°F
PKS3134A115N4SS	115V 60 Hz	65	36	35.30	11.97	16.04	1300W (4400 BTU)
PKS3134A230N4SS	230V 50/60 Hz	65	36	35.30	11.97	16.04	1300W (4400 BTU)
PKS3134A460N4SS	400/460V 50/60 Hz	65	36	35.30	11.97	16.04	1300W (4400BTU)
PKS3204A115N4SS	115V 60 Hz	100	56	35.30	11.97	16.04	2000W (6800 BTU)
PKS3204A230N4SS	230V 50/60 Hz	100	56	35.30	11.97	16.04	2000W (6800 BTU)
PKS3204A460N4SS	400/460V 50/60 Hz	100	56	35.30	11.97	16.04	2000W (6800 BTU)
PKS3304A115N4SS	115V 60 Hz	150	83	35.30	11.97	16.04	3000W (10200 BTU)
PKS3304A230N4SS	230V 50/60 Hz	150	83	35.30	11.97	16.04	3000W (10200 BTU)
PKS3304A460N4SS	400/460V 50/60 Hz	150	83	35.30	11.97	16.04	3000W (10200 BTU)
PKS3364A115N4SS	115V 60 Hz	180	100	35.30	11.97	16.04	3600W (12200 BTU)
PKS3364A230N4SS	230V 50/60 Hz	180	100	35.30	11.97	16.04	3600W (12200 BTU)
PKS3364A460N4SS	400/460V 50/60 Hz	180	100	35.30	11.97	16.04	3600W (12200 BTU)

Mini Type 4X Stainless Air to Air Heat Exchangers

Part No.	Voltage - Frequency	Cooling Capacity		Dimensions			Sample Performance
		W/°C	W/°F	H	W	D	T = 20°C/36°F
PKS3042A115N4SS	115V 60 Hz	22	12	12.00	12.00	7.89	440W (1400 BTU)
PKS3092A115N4SS	115V 60 Hz	45	25	22.75	12.00	7.89	900W (3000 BTU)

Climate Control Heat Exchangers - Air/Air

Air-Water Heat Exchangers - Selection Guide



- Hammond Manufacturing offers an extensive line up of air to water heat exchanger solutions.
- If there is a source of cool water available, these can provide a very economical cooling solution. Hammond also offers chillers to supply cold water if needed.
- Indoor/Outdoor and Stainless Steel units to suit your application
- Full technical specifications and cut-out diagrams are available on our website.
- For climate control selection assistance, please utilize our Online Sizing Software.

Quick Link: hammfg.com/HXAW-SG

Type 3R/4 Air to Water Heat Exchangers

Part #	Voltage	Cooling Capacity (BTU) (Air/Water T = 45°F/25°C)	Protective Rating	Finish	Dimensions		
					H	W	D
PWS7102A115N4LG	115	3242	NEMA 3R/4	RAL 7035	19.68	7.88	5.55
PWS7102A230N4LG	230	3242	NEMA 3R/4	RAL 7035	19.68	7.88	5.55
PWS3062A115N4LG	115	2216	NEMA 3R/4	RAL 7035	24.10	10.13	5.62
PWS3062A230N4LG	230	2216	NEMA 3R/4	RAL 7035	24.10	10.13	5.62
PWS7332A115N4LG	115	2898	NEMA 3R/4	RAL 7035	24.10	10.13	5.62
PWS7332A230N4LG	230	2898	NEMA 3R/4	RAL 7035	24.10	10.13	5.62
PWS3102A115N4LG	115	3753	NEMA 3R/4	RAL 7035	32.05	15.80	6.28
PWS3102A230N4LG	230	3753	NEMA 3R/4	RAL 7035	32.05	15.80	6.28
PWS3152A115N4LG	115	5800	NEMA 3R/4	RAL 7035	36.65	11.78	8.11
PWS3152A230N4LG	230	5800	NEMA 3R/4	RAL 7035	36.65	11.78	8.11
PWS3202A115N4LG	115	7165	NEMA 3R/4	RAL 7035	51.89	15.76	9.07
PWS3202A230N4LG	230	7165	NEMA 3R/4	RAL 7035	51.89	15.76	9.07
PWS7332A115N4LG	115	10748	NEMA 3R/4	RAL 7035	37.40	15.75	7.56
PWS7332A230N4LG	230	10748	NEMA 3R/4	RAL 7035	37.40	15.75	7.56
PWS3302A115N4LG	115	12283	NEMA 3R/4	RAL 7035	51.89	15.76	9.07
PWS3302A230N4LG	230	12283	NEMA 3R/4	RAL 7035	51.89	15.76	9.07
PWS3502A115N4LG	115	21496	NEMA 3R/4	RAL 7035	57.09	15.76	8.60
PWS3502A230N4LG	230	21496	NEMA 3R/4	RAL 7035	57.09	15.76	8.60
PWS31X2A230N4LG	230	34121	NEMA 3R/4	RAL 7035	65.52	19.75	12.10

Technical references and CAD downloads available at www.hammondmfg.com

All dimensions in inches unless specified otherwise

Quality Products. Service Excellence.

Air-Water Heat Exchangers - Selection Guide

Type 4X Stainless Air to Water Heat Exchangers

Part #	Voltage	Cooling Capacity (BTU) (Air/Water T = 45°F/25°C)	Protective		Dimensions		
			Rating	Finish	H	W	D
PWS7102A115N4SS	115	3242	NEMA 4X	#4 304SS	19.68	7.88	5.55
PWS7102A230N4SS	230	3242	NEMA 4X	#4 304SS	19.68	7.88	5.55
PWS3062A115N4SS	115	2216	NEMA 4X	#4 304SS	24.10	10.13	5.62
PWS3062A230N4SS	230	2216	NEMA 4X	#4 304SS	24.10	10.13	5.62
PWS7332A115N4SS	115	2898	NEMA 4X	#4 304SS	24.10	10.13	5.62
PWS7332A230N4SS	230	2898	NEMA 4X	#4 304SS	24.10	10.13	5.62
PWS3102A115N4SS	115	3753	NEMA 4X	#4 304SS	32.05	15.80	6.28
PWS3102A230N4SS	230	3753	NEMA 4X	#4 304SS	32.05	15.80	6.28
PWS3152A115N4SS	115	5800	NEMA 4X	#4 304SS	36.65	11.78	8.11
PWS3152A230N4SS	230	5800	NEMA 4X	#4 304SS	36.65	11.78	8.11
PWS3202A115N4SS	115	7165	NEMA 4X	#4 304SS	51.89	15.76	9.07
PWS3202A230N4SS	230	7165	NEMA 4X	#4 304SS	51.89	15.76	9.07
PWS7332A115N4SS	115	10748	NEMA 4X	#4 304SS	37.40	15.75	7.56
PWS7332A230N4SS	230	10748	NEMA 4X	#4 304SS	37.40	15.75	7.56
PWS3302A115N4SS	115	12283	NEMA 4X	#4 304SS	51.89	15.76	9.07
PWS3302A230N4SS	230	12283	NEMA 4X	#4 304SS	51.89	15.76	9.07
PWS3502A115N4SS	115	21496	NEMA 4X	#4 304SS	57.09	15.76	8.60
PWS3502A230N4SS	230	21496	NEMA 4X	#4 304SS	57.09	15.76	8.60
PWS31X2A460N4SS	460	34121	NEMA 4X	#4 304SS	65.52	19.75	12.10

Climate Control

Heat Exchangers - Air/Water

Water Chillers *EB-RACK Series*



Quick Link: hammfg.com/EB-RACK

Description

- Designed to provide recirculated coolant for most industrial applications air/water heat exchangers, process cooling, machine hydraulics or motor cooling.

Standards

- CCE Series – UL 508-A, CE
- EB80-160 WT Series – UL 508-A, CE

Features

- Pre-engineered packaged design includes refrigeration, cooling tank/pump and operating controls for plug and play operation
- CCE Series compact design for cooling capacities up to 22,000 BTU/H
- EB 2.0 Series for cooling capacities 27,000 to 151,000 BTU/H - Larger sizes and High Temperature units also available
 - EB80-160WT standard features include: Programmable smart controller, Hot gas by-pass refrigerant circuit, internal hydraulic by-pass circuit, electrical tank level switch and more.
- Both series are suitable for indoor installations
- Ambient operating temperature range 45°F to 113°F, 15°C to 45°C
- Several product options can be added - vary by unit, please ask for details
- Exterior case, galvanized steel frame coated with RAL7035 powder coated finish

Model Number	Cooling Capacity		Voltage AC 60 Hz	Pump Flow Rate GPM (l/h)	Tank Capacity Gallons (Litres)	Coolant Connections (NPT-F)	Overall Dimensions		
	Ambient +90F(+32C)	Water +64F(+18C)					Height	Width	Depth
CCE6301	8189 BTU/H (2400 Watts)		230	2.3 (520 l/h)	3.0 (11L)	1/2"	22.50	19.40	23.62
CCE6401	12000 BTU/H (3500 Watts)		460 3 Phase	6.0 (1360 l/h)	7.0 (26L)	3/4"	36.27	26.61	23.62
CCE6601	22000 BTU/H (6500 Watts)		460 3 Phase	6.0 (1360 l/h)	7.0 (26L)	3/4"	36.27	26.61	23.62
EB80WT	27000 BTU/H (8000 Watts)		460 3 Phase	6.0 (1360 l/h)	13.0 (50L)	3/4"	54.17	23.62	29.94
EB95WT	32400 BTU/H (9500 Watts)		460 3 Phase	7.0 (1590 l/h)	13.0 (50L)	3/4"	54.17	23.62	29.94
EB140WT	47750 BTU/H (14000 Watts)		460 3 Phase	10.0 (2270 l/h)	19.0 (72L)	1"	60.40	29.96	33.68
EB160WT	54500 BTU/H (16000 Watts)		460 3 Phase	11.0 (2498 l/h)	19.0 (72L)	1"	60.40	29.96	33.68
EB260WT	89053 BTU/H (26100 Watts)		460 3 Phase	22.0 (4496 l/h)	18.49 (70L)	1-1/4"	55.50	30.00	49.60
EB440WT	151492 BTU/H (44400 Watts)		460 3 Phase	48.0 (10902 l/h)	52.83 (200L)	1-1/2"	55.70	31.00	65.70

17-38 CFM Filterfans *PF GEN4 Series*

Type 12



Quick Link: hammfg.com/PF11

Features

- Maintains a UL Tested NEMA Type 12 seal against enclosure
- UL Recognized to UL 508A, category NITW2/8, UL File #E175229
- Patented "Click & Fit" design provides a hardware free installation!
- Plastic made from strong, heat resistant (ABS-FR), UL 94 V0 fire approved material
- Fan motor is CSA approved
- Options: Black grills

Accessories

- Exhaust Filters...*See Page 260*
- Replacement Filters...*See Page 260*
- Filterfan Rainhoods - 4/4X...*See Page 266*
- Filterfan Rainhoods - 3R...*See Page 265*

Climate Control Filtered Fans

Part Number Light Gray RAL7035	Part Number Black RAL 9011	Voltage	Power	Exhaust Filter Light Gray RAL7035	Exhaust Filter Black RAL9011
PF11000T12LG	PF11000T12BK	115V	11W	PFA10000LG	PFA10000BK
PF11000T12LG230	PF11000T12BK230	230V	11W	PFA10000LG	PFA10000BK
PF11000T12LG24	PF11000T12BK24	24V	2W	PFA10000LG	PFA10000BK
PF22000T12LG	PF22000T12BK	115V	20W	PFA20000LG	PFA20000BK
PF22000T12LG230	PF22000T12BK230	230V	18W	PFA20000LG	PFA20000BK
PF22000T12LG24	PF22000T12BK24	24V	5W	PFA20000LG	PFA20000BK

Airflow data	PF 11000	PF 22000	PFA 1-20000
Filter material	Type 12 filter mat	Type 12 filter mat	Type 12 filter mat
Unimpeded airflow	17 CFM	38 CFM	-
Capacity free-flow	10 W/K	21 W/K	-
Airflow in combination	11 CFM	28 CFM	-
(Filterfan + Exhaust Filter)	(PF 11000 + PFA 10000)	(PF 22000 + PFA 20000)	-
Capacity in combination	6 W/K	15 W/K	-
(Filterfan + Exhaust Filter)	(PF 11000 + PFA 10000)	(PF 22000 + PFA 20000)	-
Max. static pressure (Airflow = 0 m3/h)	38 Pa	57 Pa	-
Filtration efficiency	0.88	0.91	88/91%
Filter material grade	G 3 (DIN EN 779)	G 4 (DIN EN 779)	G3/ G4 (DIN EN 779)
Duty cycle	1	1	-

Technical data	PF 11000	PF 11000	PF 22000	PF 22000	PFA 10000
	AC	DC	AC	DC	PFA 20000
Outside dimensions in mm (height x width x installation depth)	109 x 109 x 62	109 x 109 x 49	145 x 145 x 70	145 x 145 x 64	109 x 109 x 26/ 145 x 145 x 26
Bearing type	sleeve bearings	ball bearings	sleeve bearings	ball bearings	-
Fitting position	vertical	any	vertical	any	-
Construction	housing and guard of sprayed thermoplastic, self-extinguishing, UL 94 VO				
Weight	0.55 kg	0.16 kg	0.7 kg	0.44 kg	0.06 kg / 0.12 kg
Safety protection	in accordance with DIN 31 001				
Color LG	RAL 7035, Light Grey				
Color BK	RAL 9011 Black				
Connection	2 wires, 310 mm long		terminal strip	2 wires, 310 mm long	
System of protection	NEMA Type 12, IP 55 (EN 60 529), when installed as specified				
Noise Level (EN ISO 3741)	33 dB (A)			44 dB (A)	

Technical references and CAD downloads available at www.hammondmfg.com

All dimensions in inches unless specified otherwise

65 CFM Filterfans *PF GEN4 Series* Type 12



Features

- Maintains a UL Tested NEMA Type 12 seal against enclosure
- UL Recognized to UL 508A, category NITW2/8, UL File #E175229
- Patented “Click & Fit” design provides a hardware free installation!
- Plastic made from strong, heat resistant (ABS-FR), UL 94 VO fire approved material
- Fan Motor is CSA Approved
- Options: Black Grills

Accessories

- Exhaust Filters...*See Page 260*
- Replacement Filters...*See Page 260*
- Filterfan Rainhoods - 4/4X...*See Page 266*
- Filterfan Rainhoods - 3R...*See Page 265*

Quick Link: hammfg.com/PF32

Part Number Light Gray RAL7035	Part Number Black RAL9011	Voltage	Power	Exhaust Filter Light Gray RAL7035	Exhaust Filter Black RAL9011
PF32000T12LG	PF32000T12BK	115V	20W	PFA30000LG	PFA30000BK
PF32000T12LG230	PF32000T12BK230	230V	18W	PFA30000LG	PFA30000BK
PF32000T12LG24	PF32000T12BK24	24V	5W	PFA30000LG	PFA30000BK

Airflow data	PF 32000	PFA 30000
Filter material	Type 12 filter mat	Type 12 filter mat
Unimpeded airflow	65 CFM	-
Capacity free-flow	37 W/K	-
Airflow in combination	38 CFM	-
(Filterfan + Exhaust Filter)	(PF 32000 + PFA 30000)	-
Capacity in combination	21 W/K	-
(Filterfan + Exhaust Filter)	(PF 32000 + PFA 30000)	-
Max. static pressure (Airflow = 0 m3/h)	61 Pa	-
Filtration efficiency	0.91	-
Filter material grade	G 4 (DIN EN 779)	G 4 (DIN EN 779)
Duty cycle	1	-

Technical data	PF 32000	PF 32000	PFA 30000
	AC	DC	
Outside dimensions in mm (height x width x installation depth)	202 x 202 x 87	202 x 202 x 81	202 x 202 x 34
Bearing type	sleeve bearings	ball bearings	-
Fitting position	vertical	any	any
Construction	housing and guard of sprayed thermoplastic, self-extinguishing, UL 94 VO		
Weight	0.87 kg	0.61 kg	0.26 kg
Safety protection	in accordance with DIN 31 001		
Color LG	RAL 7035, Light Grey		
Color BK	RAL9011 Black		
Connections	terminal strip	2 wires, 310mm long	-
Noise Level (EN ISO 3741)	40 dB (A)		

Technical references and CAD downloads available at www.hammondmfg.com

All dimensions in inches unless specified otherwise

Quality Products. Service Excellence.

94-169 CFM Filterfans PF GEN4 Series

Type 12



Features

- Maintains a UL Tested NEMA Type 12 seal against enclosure
- UL Recognized to UL 508A, category NITW2/8, UL File #E175229
- Patented “Click & Fit” design provides a hardware free installation!
- Plastic made from strong, heat resistant ABS-FR, UL 94 V0 fire approved material
- Fan Motor is CSA Approved
- Options: Black Grills

Accessories

- Exhaust Filters...See Page **260**
- Replacement Filters...See Page **260**
- Filterfan Rainhoods - 4/4X...See Page **266**
- Filterfan Rainhoods - 3R...See Page **265**

Quick Link: hammfg.com/PF45

Climate Control Filtered Fans

Part Number Light Gray RAL7035	Part Number Black RAL9011	Voltage	Power	Exhaust Filter Light Gray RAL7035	Exhaust Filter Black RAL9011
PF42500T12LG	PF42500T12BK	115V	20W	PFA40000LG	PFA40000BK
PF42500T12LG230	PF42500T12BK230	230V	18W	PFA40000LG	PFA40000BK
PF42500T12LG24	PF42500T12BK24	24V	5W	PFA40000LG	PFA40000BK
PF43000T12LG	PF43000T12BK	115V	40W	PFA40000LG	PFA40000BK
PF43000T12LG230	PF43000T12BK230	230V	39W	PFA40000LG	PFA40000BK
PF43000T12LG24	PF43000T12BK24	24V	12W	PFA40000LG	PFA40000BK

Airflow data	PF 42500	PF 43000	PFA 40000
Filter material	NEMA Type 12 Filtermat	NEMA Type 12 Filtermat	NEMA Type 12 Filtermat
Unimpeded airflow	94 CFM	169 CFM	-
Capacity free-flow	53 W/K	188 W/K	-
Airflow in combination	67 CFM	142 CFM	-
(Filterfan + Exhaust Filter)	(PF 42500 + PFA 40000)	(PF 43000 + PFA 40000)	-
Capacity in combination	38 W/K	69 W/K	-
(Filterfan + Exhaust Filter)	(PF 43000 + PFA 40000)	(PF 43000 + PFA 40000)	-
Max. static pressure (Airflow = 0 m3/h)	49 Pa	112 Pa	-
Filtration efficiency	0.91	0.91	0.91
Filter material grade	G 4 (DIN EN 779)	G 4 (DIN EN 779)	G 4 (DIN EN 779)
Duty cycle	1	1	-

Technical data	PF 42500 AC/DC	PF 43000 AC/DC	PFA 40000
Outside dimensions in mm (height x width x installation depth)	252 x 252 x 97	252 x 252 x 113	252 x 252 x 38
Bearing type / Lagerart	ball bearings		-
Fitting position / Einbaulage	any, horizontal airflow preferred		any
Construction	housing and guard of sprayed thermoplastic, self-extinguishing, UL 94 V0		
Weight	1.18 kg	1.67 kg	0.46 kg
Safety protection	in accordance with DIN 31 001		
Color LG	RAL 7035, Light Grey		
Color BK	RAL9011 Black		
Connections / Anschlussart	cage clamp	cage clamp	-
Noise Level (EN ISO 3741)	43 dB (A)	46 dB (A)	-

Technical references and CAD downloads available at www.hammondmfg.com

All dimensions in inches unless specified otherwise

297-560 CFM Filterfans PF GEN4 Series Type 12



Features

- Maintains a UL Tested NEMA Type 12 seal against enclosure
- UL Recognized to UL 508A, category NITW2/8, UL File #E175229
- Patented “Click & Fit” design provides a hardware free installation!
- Plastic made from strong, heat resistant ABS-FR, UL 94 V0 fire approved material
- Fan Motor is CSA Approved
- Options: Black Grills

Accessories

- Exhaust Filters...*See Page 260*
- Replacement Filters...*See Page 260*
- Filterfan Rainhoods - 4/4X...*See Page 266*
- Filterfan Rainhoods - 3R...*See Page 265*

Quick Link: hammfg.com/PF65

Part Number Light Gray RAL 7035	Part Number Black RAL9011	Voltage	Power	Exhaust Filter Light Gray RAL7035	Exhaust Filter Black RAL9011
PF65000T12LG	PF65000T12BK	115V	90W	PFA60000LG	PFA60000BK
PF65000T12LG230	PF65000T12BK230	230V	80W	PFA60000LG	PFA60000BK
PF66000T12LG	PF66000T12BK	115V	160W	PFA60000LG	PFA60000BK
PF66000T12LG230	PF66000T12BK230	230V	155W	PFA60000LG	PFA60000BK
PF67000T12LG	PF67000T12BK	115V	195W	PFA60000LG	PFA60000BK
PF67000T12LG230	PF67000T12BK230	230V	200W	PFA60000LG	PFA60000BK
PF67000T12LG460	PF67000T12BK460	460V	170W	PFA60000LG	PFA60000BK

Airflow data	PF 65000	PF 66000	PF 67000	PFA 60000
Filter material	Type 12 Filtermat	Type 12 Filtermat	Type 12 Filtermat	Type 12 Filtermat
Unimpeded airflow	297 CFM	462 CFM	560 CFM	-
Capacity free-flow	IP 54: 160 W/K / 160 W/K	IP 54: 213 W/K / 218 W/K	IP 54: 282 W/K / 292 W/K	-
	IP 55: 168 W/K / 168 W/K	IP 55: 257 W/K / 262 W/K	IP 55: 308 W/K / 317 W/K	-
Airflow in combination	230 CFM	295 CFM	368 CFM	-
(Filterfan + Exhaust Filter)	(PF 65000 + PFA 60000)	(PF 66000 + PFA 60000)	(PF 67000 + PFA 60000)	-
Capacity in combination	127 W/K	167 W/K	208 W/K	-
(Filterfan + Exhaust Filter)	(PF 65000 + PFA 60000)	(PF 66000 + PFA 60000)	(PF 67000 + PFA 60000)	-
Max. static pressure (Airflow = 0)	74 Pa	134 Pa	187 Pa	-
Filtration efficiency	0.91	0.91	0.91	0.91
Filter material grade	G 4 (DIN EN 779)	G 4 (DIN EN 779)	G 4 (DIN EN 779)	G 4 (DIN EN 779)
Duty cycle	1	1	1	-

Technical data	PF 65000	PF 66000	PF 67000	PFA 60000
Outside dimensions in mm (height x width x installation depth)	320 x 320 x 150	320 x 320 x 150	320 x 320 x 150	320 x 320 x 39
Bearing type	ball bearings	ball bearings	ball bearings	-
Fitting position	any, horizontal airflow preferred		any	-
Construction	housing and guard of sprayed thermoplastic, self-extinguishing, UL 94 V0			
Weight	3.2 kg	3.2 kg	3.7 kg	0.7 kg
Safety protection	in accordance with DIN 31 001			-
Color	RAL 7035, Light Grey			
Connections	cage clamp	cage clamp	cage clamp	-
Noise Level (EN ISO 3741)	52 dB (A)	64 dB (A)	69 db (A)	-

Technical references and CAD downloads available at www.hammondmfg.com

All dimensions in inches unless specified otherwise

Quality Products. Service Excellence.

152-427 CFM Slimline Filterfans *PF SL GEN4 Series*

Type 12



Features

- Low installation depth
- Maintains a UL Tested NEMA Type 12 seal against enclosure
- UL Recognized to UL 508A, category NITW2/8,
- UL File #E175229
- CSA #246217
- Patented "Click & Fit" design provides a hardware-free installation!
- Plastic made from strong, heat resistant ABS, UL 94 V0 fire approved material
- Options: Black Grills, Reverse Flow Exhaust

Accessories

- Exhaust Filters...*See Page 260*
- Replacement Filters...*See Page 260*
- Filterfan Rainhoods - 4/4X...*See Page 266*
- Filterfan Rainhoods - 3R...*See Page 265*

Quick Link: hammfg.com/PF33SL

Climate Control Filtered Fans

Airflow data	PF 33000 SL	PF 65000 SL	PF 67000 SL
Filter material	Type 12 Filtermat	Type 12 Filtermat	Type 12 Filtermat
Unimpeded airflow	152 CFM	325 CFM	427 CFM
Cooling Dissipation (W)/°T	168 W/K	262 W/K	317 W/K
Airflow in combination	115 CFM	250 CFM	342 CFM
(Filterfan + Exhaust Filter)	(PF 33000 + PFA 30000)	(PF 65000 + PFA 60000)	(PF 67000 + PFA 60000)
Capacity in combination	127 W/K	167 W/K	208 W/K
(Filterfan + Exhaust Filter)	(PF 33000 + PFA 30000)	(PF 65000 + PFA 60000)	(PF 67000 + PFA 60000)
Max. static pressure (Airflow = 0)	74 Pa	134 Pa	187 Pa
Filtration efficiency	0.91	0.91	0.91
Filter material grade	G 4 (DIN EN 779)	G 4 (DIN EN 779)	G 4 (DIN EN 779)
Duty cycle	1	1	1

Technical data	PF 33000SL	PF 65000SL	PF 67000SL
Outside dimensions in mm (height x width x installation depth)	202 x 202 x 87	320 x 320 x 124	320 x 320 x 127
Cut Out Dimension	177 x 177	291 x 291	291 x 291
Bearing type	ball bearings		
Fitting position	any, horizontal airflow preferred		
Construction	housing and guard of sprayed thermoplastic, self-extinguishing, UL 94 VO		
Weight	3.2 kg	3.2 kg	3.7 kg
Safety protection	in accordance with DIN 31 001		
Color	RAL 7035, Light Grey		
Connections	cage clamp		
Approval	NEMA Type 12, IP 55 (EN 60 529), when installed as specified		
Noise Level (EN ISO 3741)	42 dB (A)	52 dB (A)	69 dB (A)

Part No. Light Gray RAL7035	Part No. Black RAL9011	Voltage	Power	Exhaust Filter Light Gray RAL7035	Exhaust Filter Black Grill RAL9011
PF33000T12LGSL	PF33000T12BKSL	115V	40W	PFA30000LG	PFA30000BK
PF33000T12LGSL2	PF33000T12BKSL2	230V	39W	PFA30000LG	PFA30000BK
PF330DCT12LGSL2	PF330DCT12BKSL2	24V DC	12W	PFA30000LG	PFA30000BK
PF65000T12LGSL	PF65000T12BKSL	115V	80W	PFA60000LG	PFA60000BK
PF65000T12LGSL2	PF65000T12BKSL2	230V	80W	PFA60000LG	PFA60000BK
PF67000T12LGSL	PF67000T12BKSL	115V	120W	PFA60000LG	PFA60000BK
PF67000T12LGSL2	PF67000T12BKSL2	230V	127W	PFA60000LG	PFA60000BK
PF67000T12LGSL4	PF67000T12BKSL4	400V/460V	110W	PFA60000LG	PFA60000BK

Technical references and CAD downloads available at www.hammondmfg.com

All dimensions in inches unless specified otherwise

Outdoor Filter Fans

Type 3R



Features

- Designed for outdoor weather where resistance against falling rain, ice formation, and UV degradation is important to ensure operation of apparatus inside enclosure.
- Maintains a UL Tested NEMA Type 3R seal against enclosure without need of a rainhood
- Patented “Click & Fit” design provides a hardware free installation!
- Plastic made from strong, heat resistant (ABS-FR), UL 94 VO fire approved material
- Fluted filter-mat provides longer service life, holding more dust before impeding airflow extending the mean time between maintenance for outdoor enclosure; especially critical for those located in remote areas.
- Offered in Light Gray (RAL 7035) and Black (RAL 9011)

Accessories

- Exhaust Filters...*See Page 260*
- Replacement Filters...*See Page 260*
- Thermostats...*See Page 275*

Quick Link: hammfg.com/3rff

Part Number	Part Number	Voltage	Free Flow				Exhaust Filter		Exhaust Filter
Light Gray RAL7035	Black RAL9011		CFM	H	W	D	Light Gray RAL7035	Black RAL9011	
PF22000T3RLG	PF22000T3RBK	115 VAC	38	5.71	5.71	2.76	PFA20000T3RLG	PFA20000T3RBK	
PF22000T3RLG230	PF22000T3RBK230	230 VAC	38	5.71	5.71	2.76	PFA20000T3RLG	PFA20000T3RBK	
PF22000T3RLG24	PF22000T3RBK24	24 VDC	38	5.71	5.71	2.76	PFA20000T3RLG	PFA20000T3RBK	
PF32000T3RLG	PF32000T3RBK	115 VAC	65	7.95	7.95	3.66	PFA30000T3RLG	PFA30000T3RBK	
PF32000T3RLG230	PF32000T3RBK230	230 VAC	65	7.95	7.95	3.66	PFA30000T3RLG	PFA30000T3RBK	
PF32000T3RLG24	PF32000T3RBK24	24 VDC	65	7.95	7.95	3.66	PFA30000T3RLG	PFA30000T3RBK	
PF42500T3RLG	PF42500T3RBK	115 VAC	94	9.92	9.92	4.05	PFA40000T3RLG	PFA40000T3RBK	
PF42500T3RLG230	PF42500T3RBK230	230 VAC	94	9.92	9.92	4.05	PFA40000T3RLG	PFA40000T3RBK	
PF42500T3RLG24	PF42500T3RBK24	24 VDC	94	9.92	9.92	4.05	PFA40000T3RLG	PFA40000T3RBK	
PF43000T3RLG	PF43000T3RBK	115 VAC	155	9.92	9.92	4.05	PFA40000T3RLG	PFA40000T3RBK	
PF43000T3RLG230	PF43000T3RBK230	230 VAC	155	9.92	9.92	4.05	PFA40000T3RLG	PFA40000T3RBK	
PF43000T3RLG24	PF43000T3RBK24	24 VDC	155	9.92	9.92	4.05	PFA40000T3RLG	PFA40000T3RBK	
PF65000T3RLG	PF65000T3RBK	115 VAC	297	12.60	12.60	6.18	PFA60000T3RLG	PFA60000T3RBK	
PF65000T3RLG230	PF65000T3RBK230	230 VAC	297	12.60	12.60	6.18	PFA60000T3RLG	PFA60000T3RBK	
PF66000T3RLG	PF66000T3RBK	115 VAC	462	12.60	12.60	6.18	PFA60000T3RLG	PFA60000T3RBK	
PF66000T3RLG230	PF66000T3RBK230	230 VAC	462	12.60	12.60	6.18	PFA60000T3RLG	PFA60000T3RBK	
PF66000T3RLG460	PF66000T3RBK460	460 VAC	462	12.60	12.60	6.18	PFA60000T3RLG	PFA60000T3RBK	
PF67000T3RLG	PF67000T3RBK	115 VAC	560	12.60	12.60	6.18	PFA60000T3RLG	PFA60000T3RBK	
PF67000T3RLG230	PF67000T3RBK230	230 VAC	560	12.60	12.60	6.18	PFA60000T3RLG	PFA60000T3RBK	
PF67000T3RLG460	PF67000T3RBK460	460 VAC	560	12.60	12.60	6.18	PFA60000T3RLG	PFA60000T3RBK	

Climate Control Filtered Fans

Exhaust Filters

Type 12



- Maintains a UL Tested NEMA Type 12 seal against enclosure
- UL Recognized to UL 508A, category NITW2/8, UL File #E175229
- CSA #246217
- Patented “Click & Fit” design provides a hardware-free installation
- Plastic made from strong, heat resistant ABS-FR, UL 94 V0 fire approved material
- Fluted, durable filter provides superior service life between maintenance (up to 3X alternative filter materials)
- Offered in Light Gray or Black

Part Number Light Gray (RAL7035)	Part Number Black (RAL9011)	Filtration Efficiency %
PFA10000LG	PFA10000BK	88
PFA20000LG	PFA20000BK	91
PFA30000LG	PFA30000BK	91
PFA40000LG	PFA40000BK	91
PFA60000LG	PFA60000BK	91

Climate Control Filtered Fans

Exhaust Filters PFA3R Series

Type 3R



- Maintains a UL Tested NEMA Type 3R seal against enclosure
- Patented “Click & Fit” design provides a hardware-free installation
- Plastic made from strong, heat resistant (ABS-FR) UL 94 VO fire approved material
- Fluted, durable filter provides superior service life between maintenance (up to 3X alternative filter materials)
- Offered in Light Gray or Black

Part Number Light Gray (RAL7035)	Part Number Black (RAL9011)	Filtration Efficiency %
PFA20000T3RLG	PFA20000T3RBK	91
PFA30000T3RLG	PFA30000T3RBK	91
PFA40000T3RLG	PFA40000T3RBK	91
PFA60000T3RLG	PFA60000T3RBK	91

Replacement Filters

Type 12/3R (4th Generation)



PFF Series Replacement Filters

- For PF Series Filter Fans (Type 12 and 3R versions)
- Special patent pending fluted filter design increases the time between maintenance by 3X
- Allows for greater CFM air flow in dirty environments
- Sold in Packs of 5

Part Number	Use with 4th Gen FF
PFF10000*	PF/PFA 1XXXX
PFF20000	PF/PFA 2XXXX
PFF30000	PF/PFA 3XXXX
PFF40000	PF/PFA 4XXXX
PFF60000	PF/PFA 6XXXX
PFFT60001	PTF60500/PTFA60500
PFFT60002	PTF60700/61000

*Standard synthetic fiber filter.

PFFT Series Replacement Filters

- For PTF Series Top Mount Filter Fans
- Standard synthetic fiber filter
- Sold in Packs of 5
 - Note: Top mount filter fan units have 4 separate filters per unit - replacement packs (PFFT Series) contain 20 individual filters which will service 5 top mount fan units

You may be looking for our smaller synthetic mesh filters. See our XPFA and DNFF series for more filter specs.

266-485 CFM Top Mount Filterfans *PTF GEN4 Series* Type 12



Features

- Maintains a NEMA 12 seal against enclosure
- UL Recognized to UL 508A, category NITW2/8, UL File #E175229
- Patented "Click & Fit" design provides a hardware free installation!
- Metal Pagoda Cover for rugged environments, easily painted to match machine color
- Fan Motor is CSA Approved

Accessories

- Exhaust Filters...*See Page 260*
- Replacement Filters...*See Page 260*

Quick Link: hammfg.com/PTF60

Part Number	Voltage	Power	H	W	D	Installed Depth	Mating Exhaust Filter
PTF60500LG	115V	24W	4.92	16.93	16.93	1.97	PFA60000LG
PTF60500LG230	230V	24W	4.92	16.93	16.93	1.97	PFA60000LG
PTF60700LG	115V	90W	5.51	18.50	18.50	1.97	PFA60000LG
PTF60700LG230	230V	80W	5.51	18.50	18.50	1.97	PFA60000LG
PTF61000LG	115V	170W	5.51	18.50	18.50	1.97	PFA60000LG
PTF61000LG230	230V	150W	5.51	18.50	18.50	1.97	PFA60000LG

Airflow data	PTF 60500	PTF 60700	PTF 61000	PTFA 60000
Filter material	NEMA 12 Filtermat	NEMA 12 Filtermat	NEMA 12 Filtermat	NEMA 12 Filtermat
Unimpeded airflow	226 CFM	356 CFM	485 CFM	-
Capacity free-flow	113 W/K	177 W/K	242 W/K	-
Airflow in combination	149 CFM	227 CFM	304 CFM	-
(Filterfan + Exhaust Filter)	(PTF 60500 + PFA 60000)	(PTF 60700 + PFA 60000)	(PTF 61000 + PFA 60000)	-
Capacity in combination	74 W/K	113 W/K	152 W/K	-
(Filterfan + Exhaust Filter)	(PTF 60500 + PFA 60000)	(PTF 60700 + PFA 60000)	(PTF 61000 + PFA 60000)	-
Max. static pressure (Airflow = 0)	71 Pa	88 Pa	158 Pa	-
Filtration efficiency	0.81	81%%	0.81	-
Filter material grade	G 3 (DIN EN 779)	G 3 (DIN EN 779)	G 3 (DIN EN 779)	-
Duty cycle	1	1	1	-

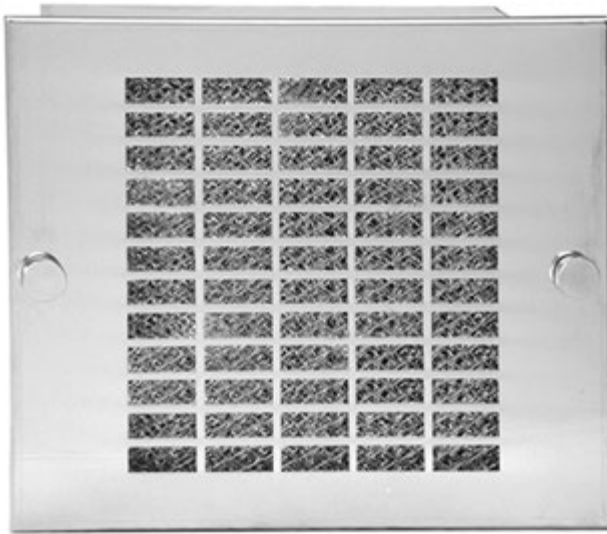
Technical data	PTF 60500	PTF 60700	PTF 61000	PTFA 60000
Bearing type	ball bearings	ball bearings	ball bearings	n/a
Fitting position	horizontal	horizontal	horizontal	any
Construction	metal chassis cover powder coated, snapin plastic housing			
Weight	5.5 kg	5.8 kg	6.0 kg	3.1 kg
Safety protection	in accordance with DIN 31 001			
Color	RAL 7035, Light Grey			
Connections	terminal strip	terminal strip	terminal strip	n/a

Technical references and CAD downloads available at www.hammondmfg.com

All dimensions in inches unless specified otherwise

Quality Products. Service Excellence.

105-550 CFM Filtered Fan Boxes *XF Series*

Climate Control Filtered Fans


Quick Link: hammfg.com/XF

Description

- In a typical cooling arrangement, the filtered fan box pulls air into the enclosures and the filter grill is used as an air outlet.
- The washable aluminum filter grill and the air filter are easily accessible and can be removed for cleaning.
- The filtered fan boxes are available in either 115 VAC or 230 VAC, 50/60 Hz.
- Filtered passive ventilation can be provided by an exhaust filter for either convection cooling or in combination with a fan in forced air cooling.

Filtered Fan Boxes

Part No.	Free Flow Air Delivery (CFM)	Volts	RPM Nominal	Running Amps	Watts	Fan Housing		
						H	W	D
XF4115	105	115	3000	0.18	15	5.63	5.63	2.38
XF4230	105	230	3000	0.09	15	5.63	5.63	2.38
XF6115	220	115	3300	0.29	33	7.13	7.13	3.00
XF6230	220	230	3300	0.15	33	7.13	7.13	3.00
XF10115	560	115	1600	0.87	60	11.13	11.13	4.56
XF10230	560	230	1600	0.45	60	11.13	11.13	4.56

¹ Dimension for mounting and cabinet cutout. Secure sheet metal with #10 hardware.

Standards

- UR/CUR/CE approved fan motors.
- CSA listed on fan only.

Features

- 115 VAC or 230 VAC, 50/60 Hz.
- 12" lead wires.
- Exceptionally quiet operation.
- Versatile mounting and adaptability.
- Heavy-gauge steel construction.
- Attractive stainless steel grills.
- Shipped with air flow to pressurize. Can be user modified to exhaust.
- Aluminum filter is coated with adhesive baffle surfaces for dust and dirt collection. Can be recoated after cleaning for optimum performance.
- Drilling template included.
- Note: One grill and filter are included with each fan package. Normally, an additional exhaust grill and filter are required for each installation and must be ordered separately.

Accessories

- Filter Coat...*See Page 275*

Exhaust Grill and Filters

Part No.	H	W
XFG4	6.13	7.38
XFG6	7.63	8.88
XFG10	11.63	13.00

¹ Dimension for mounting and cabinet cutout. Secure sheet metal with #10 hardware.

Replacement Filters

Part No.	Pkg. Qty.
XFF4	3
XFF6	3
XFF10	3

Filter Fan Kits *DNFF Series*

The DNFF Fan kit is ideal when sealing a cabinet or enclosure. Unlike the DNFK, the DNFF does not include an AC plug as it is designed to be hard-wired with or without a thermostat.



Features

- Kit includes one (1) of the following:
 - Fan
 - Plastic Filter Grill
 - Filter
 - Metal Grill
 - Wire Cord or Leads (see table)
 - Includes Mounting Hardware
- Flame retardant, ABS plastic filter fan grill is moulded in a choice of four finishes to match our racks & accessories.
 - “BK” (Black)
 - “GY” (ANSI 61 Gray)
 - “LG” (Light Gray - RAL7035)
- Fan component is UL recognized to UL 507, and cUL recognized or CSA certified to CSA-C22.2 No. 113.
- The filter is designed to meet IP5X dust resistance.
- If required, complementary exhaust filter grill kits (without fan) available - see XPFA Series

Quick Link: hammfg.com/DNFF

Part No.	Part No.	Part No.					
Black Filter Grill	ANSI 61 Gray Filter Grill	Light Gray Filter Grill	VAC	Fan Size	CFM	Cord Length	Noise (dB)
DNFF080BK115	DNFF080GY115	DNFF080LG115	115	3.15	32	11 Inch leads	34
DNFF120BK115	DNFF120GY115	DNFF120LG115	115	4.70	105	24 Inch cord	56
DNFF150BK115	DNFF150GY115	DNFF150LG115	115	6.00	230	12 Inch leads	53
DNFF254BK115	DNFF254GY115	DNFF254LG115	115	10.00	550	24 Inch cord	60
DNFF080BK230	DNFF080GY230	DNFF080LG230	230	3.15	32	11 Inch leads	34
DNFF120BK230	DNFF120GY230	DNFF120LG230	230	4.70	105	24 Inch cord	56
DNFF150BK230	DNFF150GY230	DNFF150LG230	230	6.00	230	12 Inch leads	53
DNFF254BK230	DNFF254GY230	DNFF254LG230	230	10.00	550	24 Inch cord	60

CG and 254 sizes are End-of-Life. Available while supplies last.

Filter Fan Grills *XPFA Series*

Features

- Create your own filter fans or exhaust grills
- Mounts easily with 4 screws using template and hardware provided.
- Designed to meet IP5X dust resistance.
- Complete with flame retardant ABS plastic grill and flame retardant synthetic filter.
- Integral EVA foam gasket on the reverse side of grill seals against the mounting surface.
- Hole cutout is NOT critical as the rear of the filter grill seals to the surface (see rear photo below)
- Can be used with standard 3.15" or 4.7" square fans or alone as an exhaust grill
- Moulded in a choice of four colors to match our racks & accessories.
 - "BK" (Black)
 - "CG" (Gray/Beige - RAL7032)
 - "GY" (ANSI 61 Gray)
 - "LG" (Light Gray - RAL7035)

This product is not intended to maintain NEMA Type Ratings. Please see our NEMA Rated Filter Fans.



Climate Control Filtered Fans

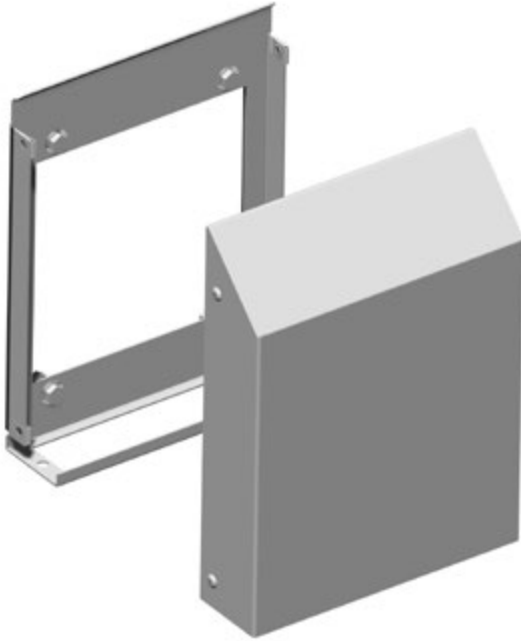
Quick Link: hammfg.com/XPFA

Replacement Filters (Sold in Pack of 5)

Part No.	Use with Fan Size	Use with XPFA Series	Use with DNFF Series
PFF1000	3.15	XPFA80	DNFF080
PFF2000	4.70	XPFA120	DNFF120
PFF4000	7.72	XPFA150	DNFF150
PFF6000	12.00	XPFA254	DNFF254

Part No.	Part No.	Part No.	Part No.	Overall Dimensions			Use With Square Fan Size
				H	W	D	
Black	Gray/Beige	ANSI 61 Gray	Light Gray				
XPFA80BK	XPFA80CG	XPFA80GY	XPFA80LG	4.14	4.14	0.63	3.15
XPFA120BK	XPFA120CG	XPFA120GY	XPFA120LG	5.91	5.91	0.94	4.70
XPFA150BK	XPFA150CG	XPFA150GY	XPFA150LG	7.72	7.72	0.94	6.00
XPFA254BK	XPFA254CG	XPFA254GY	XPFA254LG	12.00	12.00	0.94	10.00

Filterfan Rainhoods - 3R *RH Series*



Quick Link: hammfg.com/RH

Application

- Type 3R / Outdoor Rainhoods
- Protection against rain and snow or large airborne debris
- Sold individually

Features

- Easy installation
- Covers many external mounted Fans & Grills
- Fits PF2000/PF22000 thru PF5/6/7000 series Filterfans
- Tamperproof hardware and sealing gasket provided

Standards

- UL 508A type 3R
- CSA C22.2 #94-M1

Finish

- Cover offered in ANSI61 gray or RAL7035 light gray powder coated finish on mild steel
- Also offered in stainless steel 304 #4 finish
- Base in Galvanized sheet steel

Grill/Solid Cover Kit

- Offered in galvanized steel and stainless steel versions
- Can be installed in bottom opening of rain hood
- Grill allows ventilation while preventing unwanted entry of large contaminants
- Solid cover allows sealing of opening when fan/filter not in use (offered only with the galvanized steel kits)

Overall Dimensions						
Part No.	H	W	D	Use with	Finish	
RH20000GY	10.44	7.77	2.17	PF2000/PF22000 Series	ANSI 61 Gray	
RH20000LG	10.44	7.77	2.17	PF2000/PF22000 Series	RAL7035	
RH20000SS	10.44	7.77	2.17	PF2000/PF22000 Series	Stainless Steel	
RH40000GY	14.57	11.71	3.35	PF25, 30, 32, 43000 Series	ANSI 61 Gray	
RH40000LG	14.57	11.71	3.35	PF25, 30, 32, 43000 Series	RAL7035	
RH40000SS	14.57	11.71	3.35	PF25, 30, 32, 43000 Series	Stainless Steel	
RH60000GY	15.88	14.66	4.33	PF5,6,7000, 65, 67000 Series	ANSI 61 Gray	
RH60000LG	15.88	14.66	4.33	PF5,6,7000, 65, 67000 Series	RAL7035	
RH60000SS	15.88	14.66	4.33	PF5,6,7000, 65, 67000 Series	Stainless Steel	

Grill/Solid Cover Kit

Part No.	Description	Use With	Finish
RHA20000G	Vented grill and solid plate	RH20000GY,LG	Galvanized Steel
RHA40000G	Vented grill and solid plate	RH40000GY, LG	Galvanized Steel
RHA60000G	Vented grill and solid plate	RH60000GY,LG	Galvanized Steel
RHA20000S16	Vented grill only	RH20000SS	Stainless Steel
RHA40000S16	Vented grill only	RH40000SS	Stainless Steel
RHA60000S16	Vented grill only	RH60000SS	Stainless Steel

Filterfan Rainhoods - 4/4X RHN4 Series



Quick Link: hammfg.com/RHN4

Application

- Type 4/4X (IPx6) Rainhoods (when used with PF Series Filterfans)
- Ideal for locations with high exposure to spraying water
- Painted galvanized steel version for Type 4
- 304 and 316 stainless steel versions for Type 4X
- Specially gasketed, 316 stainless steel, sanitary version for FDA compatible Type 4X
- Sold individually

Features

- Easy installation - mounting bracket installed around cutout and rainhood slides down over bracket

- High compression, closed cell black gasket with multiple seal dams ensure tight, waterproof seal
 - Sanitary version has special FDA compatible, white multiple seal gasket
- Direct spray barrier/baffle designed to maximize airflow while providing superior protection from overspray

Standards

- UL / cUL Listed Type 4 or 4X (as noted)
 - must be used in combination with PF Series Filterfan

Finish

- Base mounting bracket - unpainted 304 SS
- Rainhood Covers
 - Type 4 - ANSI61 Gray (GY) or RAL7035 Light Gray (LG) powder coated finish on galvanized steel
 - Type 4X - 304 or 316 stainless steel with #4 brushed finish
 - Sanitary Type 4X - 316 stainless steel with #4 brushed finish

Grill/Solid Cover Kit

- Can be installed in bottom opening of rain hood
- Grill allows ventilation while preventing unwanted entry of large contaminants
- Solid cover allows sealing of opening when fan/filter not in use

Climate Control

Filtered Fans

Part No.	Overall Dimensions			Use with	Rating/Finish
	H	W	D		
RH20000N4GY	10.44	8.70	3.56	PF22000/PFA20000	Type 4 / ANSI 61 Gray
RH20000N4LG	10.44	8.70	3.56	PF22000/PFA20000	Type 4 / RAL7035
RH20000N4SS	10.44	8.70	3.56	PF22000/PFA20000	Type 4X / 304 Stainless Steel
RH20000N4S16	10.44	8.70	3.56	PF22000/PFA20000	Type 4X / 316 Stainless Steel
RH20000N4SSFDA	10.44	8.70	3.56	PF22000/PFA20000	Sanitary Type 4X / 304 Stainless Steel
RH20000N4S16FDA	10.44	8.70	3.56	PF22000/PFA20000	Sanitary Type 4X / 316 Stainless Steel
RH30000N4GY	12.68	10.87	3.56	PF3X000/PFA30000	Type 4 / ANSI 61 Gray
RH30000N4LG	12.68	10.87	3.56	PF3X000/PFA30000	Type 4 / RAL7035
RH30000N4SS	12.68	10.87	3.56	PF3X000/PFA30000	Type 4X / 304 Stainless Steel
RH30000N4S16	12.68	10.87	3.56	PF3X000/PFA30000	Type 4X / 316 Stainless Steel
RH30000N4SSFDA	12.68	10.87	3.56	PF3X000/PFA30000	Sanitary Type 4X / 304 Stainless Steel
RH30000N4S16FDA	12.68	10.87	3.56	PF3X000/PFA30000	Sanitary Type 4X / 316 Stainless Steel
RH40000N4GY	14.65	12.84	3.56	PF4XX00/PFA40000	Type 4 / ANSI 61 Gray
RH40000N4LG	14.65	12.84	3.56	PF4XX00/PFA40000	Type 4 / RAL7035
RH40000N4SS	14.65	12.84	3.56	PF4XX00/PFA40000	Type 4X / 304 Stainless Steel
RH40000N4S16	14.65	12.84	3.56	PF4XX00/PFA40000	Type 4X / 316 Stainless Steel
RH40000N4SSFDA	14.65	12.84	3.56	PF4XX00/PFA40000	Sanitary Type 4X / 304 Stainless Steel
RH40000N4S16FDA	14.65	12.84	3.56	PF4XX00/PFA40000	Sanitary Type 4X / 316 Stainless Steel
RH60000N4GY	17.33	15.51	3.56	PF6XX00/PFA60000	Type 4 / ANSI 61 Gray
RH60000N4LG	17.33	15.51	3.56	PF6XX00/PFA60000	Type 4 / RAL7035
RH60000N4SS	17.33	15.51	3.56	PF6XX00/PFA60000	Type 4X / 304 Stainless Steel
RH60000N4S16	17.33	15.51	3.56	PF6XX00/PFA60000	Type 4X / 316 Stainless Steel
RH60000N4SSFDA	17.33	15.51	3.56	PF6XX00/PFA60000	Sanitary Type 4X / 304 Stainless Steel
RH60000N4S16FDA	17.33	15.51	3.56	PF6XX00/PFA60000	Sanitary Type 4X / 316 Stainless Steel

Technical references and CAD downloads available at www.hammondmfg.com

All dimensions in inches unless specified otherwise

Rack Mount Fan Tray *FT Series*



Quick Link: hammfg.com/FT

Features

- Standard 19" rack mount
- Compact and economical rack cooling solution.
- Fan trays can be positioned at the bottom of a rack to force air through the cabinet, at the top to exhaust air out or below specific pieces of equipment for spot cooling
- Choice of two operating voltages 115VAC (or 220VAC) - both 50/60 Hz., thermally protected, ball bearing fans
- Circuit breaker protected
- Low profile 1.75" (1U) of panel space
- 115VAC versions include a 6' 14/3 STJW cord with moulded 3 prong plug (NEMA 5-15P)
- 220VAC versions include an IEC input receptacle (IEC320-C14)
- Integral finger guards above and below fans
- Case width is 17"
- 6 and 9 fan units include an adjustable rear mounting bracket (mounts to rear panel rails) for extra stability
- Shipped fully assembled
- Available with or without on/off switch
- Finished in textured black powder paint
- TAA-compliant for GSA Schedule purchases.
- RoHS Compliant.
- Manufactured in North America.

115 VAC Fan Trays

Part No. Without Switch	Part No. With Switch	Number Of Fans	Free Flow Air Delivery (CFM)	Power (50/60 Hz.)	Running Amps	Running Wattage	Case Depth	Rear Bracket Depth		Noise (dB)
								Min.	Max.	
FT300TA1BK	FT300HA1BK	3	300	115 VAC	0.5	40	7.50	n/a	n/a	63
FT600TA1BK	FT600HA1BK	6	600	115 VAC	1	80	13.00	2.40	19.20	65
FT900TA1BK	FT900HA1BK	9	900	115 VAC	1.5	120	18.50	7.90	24.70	69

220 VAC Fan Trays

Part No. Without Switch	Part No. With Switch	Number Of Fans	Free Flow Air Delivery (CFM)	Power (50/60 Hz.)	Running Amps	Running Wattage	Case Depth	Rear Bracket Depth		Noise (dB)
								Min.	Max.	
FT300TA1220BK	FT300HA1220BK	3	300	220 VAC	0.26	40	7.50	n/a	n/a	63
FT600TA1220BK	FT600HA1220BK	6	600	220 VAC	0.52	80	13.00	2.40	19.20	65
FT900TA1220BK	FT900HA1220BK	9	900	220 VAC	0.79	120	18.50	7.90	24.70	69

Rack Mount Intake Blowers



Features

- Standard 19" rack mount
- Air delivery from more than 50% of their 17" width
- Internal neoprene isolation mounts reduce transmission of vibration to the rack
- Air intake only, to pressurize the rack with filtered air
- Heavy steel construction
- Attractive 19" stainless steel grille included
- 115 VAC, 50/60 Hz. motor is UL recognized, CSA certified, ball bearing type, cooled by incoming air
- Includes permanent filter (replacement filters available below)
- Comes with a 6ft STJ 3- wire cord
- Optional replacement filters come in a pack of five (5).
- TAA-compliant for GSA Schedule purchases.
- RoHS Compliant.
- Manufactured in North America.

Accessories

- Filter Coat...See Page **275**

Part No.	Free Flow Air Delivery (CFM)	Running Amps	RPM Nominal	Noise (dB)	Blower Type	Ambient Temperature (F)	Mounting Dimensions Rack Units	Height	Replacement Filter 5-Pack
HB2160A	145 / 125	0.7	2500 / 3000	62	Transverse Flow	-20 to +250	2U	3.50	HB2UFILTER
HB3250A	155 / 200	1.2	2750 / 3000	72	Double Centrifugal	-20 to +250	3U	5.25	HB3UFILTER
HB4500A	405 / 465	2.5	2750 / 3300	76	Double Centrifugal	-20 to +250	4U	7.00	HB4UFILTER

Climate Control

Blowers and Fans

Fan Panel Assembly



Features

- Choice of two or three fan models - mounted on a standard width 19" rack panel - shipped assembled as shown.
- The front of the panel is punched for finger protection and the rear of the fans assembled with metal guards
- Perfect as an exhaust fan panel or when using "push-pull" cooling (ie..unit pulls air out of the rack cabinet)
- Rugged textured black powder paint finish.
- Two (2) or Three (3) fan daisy chain wire lead/cord, 72" in length.
- TAA-compliant for GSA Schedule purchases.
- RoHS Compliant.
- Manufactured in North America.

Part No.	Number of Fans	Voltage (50/60Hz.)	Fan Panel CFM	Noise (dB)	115VAC Plug	Mounting Dimensions Rack Units	Height
PPGPFPA	2	115 VAC	210	60	Yes	3U	5.25
PPGPFPA230	2	230 VAC	210	60	No	3U	5.25
FP3F115	3	115 VAC	315	63	Yes	3U	5.25
FP3F230	3	230 VAC	315	63	No	3U	5.25

Each fan is rated for 22W - 0.57A at 115Vac.

125-1300 W Fan Heater with Thermostat



Features

- Designed to prevent condensation or maintain minimum temperature in enclosures.
- Built in Thermostat. (-18 C to +38 C) (0 F to +100 F)
- Fan Auto/On switch with pilot light for Heat On indication
- High temperature safety protection
- Aluminum alloy outer casing
- Connection via terminal block.
- 1300W models are cURus approved only.

Part No.	Watts	Voltage	Hz	CFM	Overall Dimensions
					Height x Width x Depth
FLHTF125A115	125 W	120 V	60	20	5.5" x 4.0" x 5.3"
FLHTF125A230	105/125 W	220/240 V	50/60	20	5.5" x 4.0" x 5.3"
FLHTF200A115	200 W	120 V	60	20	5.5" x 4.0" x 5.3"
FLHTF200A230	165/200 W	220/240 V	50/60	20	5.5" x 4.0" x 5.3"
FLHTF400A115	400 W	120 V	60	20	7.5" x 4.0" x 5.3"
FLHTF400A230	335/400 W	220/240 V	50/60	20	7.5" x 4.0" x 5.3"
FLHTF800A115	800 W	120 V	60	20	7.5" x 4.0" x 5.3"
FLHTF800A230	670/800 W	220/240 V	50/60	20	7.5" x 4.0" x 5.3"
FLHTF1300A115	1300 W	120 V	60	50	7.5" x 5.6" x 6.9"
FLHTF1300A230	1080/1300 W	220/240 V	50/60	50	7.5" x 5.6" x 6.9"

250-400 W Fan Heater



Features

- For use when larger heating capacities or internal forced air circulation is required.
- Designed to prevent condensation or maintain minimum temperature in enclosures.
- Thermostats are also available.

Accessories

- Temperature Controls and Accessories...See Page 275

Part No.	Watts	Surface Temperature	Starting Current	Dimensions
				Length x Width x Depth
SHGL04600	250	167°F	2.2 A	7.00 x 3.15 x 3.15
SHGL04601	400	167°F	3.5 A	9.76 x 3.15 x 3.15

Operating Voltage:	AC 110-120 V, 50/60 Hz
Circulation Power:	20 CFM Free Blowing
Axial Fan:	Ball Bearing
Durability:	30,000 hrs. at 68°F ambient temperature
Heating Element:	Resistance heating element with temperature limiter
Heating Body:	Extruded aluminum, black anodized
Connection:	3 pole terminal for 12 AWG
Mounting:	Easily installed by clip mounting on 35 mm DIN rails (included)
Protection Class:	1 (tested for grounding at 1250 V)
Protection:	IP20
Approval:	UL Recognized Component, cUL Recognized Component, CE

550-650 W High Wattage Fan Heater



Features

- For large heating capacity requirements.
- Maintains minimum operating temperatures in enclosures.
- Helps prevent failures to components caused by condensation and corrosion.
- Built-in thermostat and control light.
- Heating power adjusts to ambient temperature.
- Heat exits top of fan heater. (Add 2" clearance for heat-sensitive parts.)
- Body of heater is touch safe.

Part No.	Watts	Inrush		Temperature
		Current (Amps)	Volts	Maximum with Fan
SCR027009	550 W	14 A	AC 120	250°F/120°C
SCR027009230	550 W	13 A	AC 230	250°F/120°C
SCR027019	650 W	15 A	AC 120	320°F/160°C

Air Flow:	20 CFM (550W), 26 CFM (650W)
Thermostat Range:	32 - 140 degrees Fahrenheit
Heating Element:	PTC - Semiconductor/resistor
Housing:	Plastic, rated UL94-VO
Connection:	3 pole terminal, AWG 14 max (2.5 mm2)
Mounting:	Clip for 35mm DIN rail
Protection Class:	II (Double Insulated)
Protection Type:	IP20
Approval:	UL Recognized Component, cUL Recognized Component, CE

Climate Control Heating Products

15-150 W Heater



Features

- Designed to provide enclosed electronic, pneumatic, hydraulic and mechanical equipment with protection from low temperatures, condensation and corrosion.
- The PTC (Positive Temperature Coefficient) heater unit maintains a stable temperature environment within enclosures, allowing critical components to perform with consistent reliability for longer periods.
- Push connectors for quick and easy wiring
- Used in combination with Normally Closed Thermostat or Humidistat

Accessories

- Temperature Controls and Accessories...*See Page 275*

Part No.	Watts ¹	Max. Current ²	L
SHG14000	15W	1.1A	2.60
SHG14001	30W	1.2A	2.60
SHG14003	45W	1.8A	2.60
SHG14005	60W	2.5A	5.50
SHG14006	75W	4.5A	5.50
SHG14007	100W	5.0A	5.50
SHG14008	150W	7.5A	8.70

¹ At 68oF (20oC) ambient temperature

² Inrush current

Operating Voltage:	AC 110 - - 250 V
Heating Element:	PTC resistor, self regulating surface temperature
Heating Body:	Anodized extruded aluminum
Connection:	Push-type terminals for stranded and solid wire 3 x AWG 20 AWG 16 (0.5 - 1.5 mm2)
Mounting:	Easily installed by clip mounting on 35 mm DIN rails (included)
Protection Class:	I, test voltage 1600 V
Protection:	IP20
Approval:	UL Recognized Component, cUL Recognized Component, CE

10-30 W Mini Radiant Heaters



Features

- Designed for use in small enclosure housing or for heating of isolated spots in sensitive areas
- Compact design
- Used in combination with Normally Closed Thermostat or Humidistat

Accessories

- Temperature Controls and Accessories...See Page 275

Part No.	Watts	Max. Current	X	Y	Z	L
SHGM1410	10	1	1.16	1.77	1.97	12.00
SHGM1420	20	1.1	1.16	1.77	1.97	12.00
SHGM1430	30	1.2	1.16	1.77	1.97	12.00

Operating Voltage:	110-250 AC 50/60 Hz
Heating Element:	PTC resistor, self regulating surface temperature
Heating Body:	Aluminum, black anodised
Max surface temperature:	10w @ 203°F/95°C 20w @239°F/115°C 30w @284°F/140°C
Connection:	Connecting cable 11.8"
Mounting:	Din rail 35mm profile
Protection class:	IP20
Approval:	UL Recognized Component, cUL Recognized Component, CE

100-400 W Control Panel Heater



Features

- When larger heating capacities or internal forced air circulation is required and space is limited.
- Compact design to prevent condensation or maintain minimum temperature in enclosures.
- Fan is included.

Accessories

- Temperature Controls and Accessories...See Page 275

Part No.	Watts	Operating Current (Amps)	Volts	Temperature Maximum with Fan
SHV031029	100 W	0.89	AC 120	250°F/120°C
SHV031039	150 W	1.3	AC 120	320°F/160°C
SHV031139	200 W	1.79	AC 120	250°F/120°C
SHV031149	300 W	2.62	AC 120	320°F/160°C
SHV031159	400 W	3.45	AC 120	360°F/180°C

Operating Voltage:	AC 110 -120 V 50/60 Hz
Air Flow:	20 CFM (100W, 150W heaters), 63 CFM (200W, 300W, 400W heaters)
Axial Fan:	Ball bearing
Durability:	30,000 hrs. at 68°F ambient temperature
Heating Element:	Cartridge heater
Heating Body:	Die cast aluminum
Connection:	5 pole terminal for 14 AWG (maximum)
G/L1/N1:	Heater
L2/N2:	Fan
Mounting:	Easily installed by clip mounting on 35 mm DIN rails (included)
Protection class:	1 (tested for grounding at 1250 V)
Protection:	IP44
Approval:	UL Recognized Component, cUL Recognized Component, CE

Large Rainproof Ventilator



- Designed to equalize internal / external pressure and temperature
- Ventilators assist in condensation prevention by allowing enclosures to breathe
- Suitable for most types of metallic and non-metallic enclosures
- Molded in corrosion resistant UV stabilized polycarbonate, finish RAL7035 Light Gray
- Gasket protection to enclosure wall
- Approximately 2.73" (69mm) high x 1.99" (51mm) wide
- Mount to enclosure wall thickness up to .16" (4mm) with standard screws
- Internal vent channel & grille reduces insect intrusion
- Complies with NEMA Type 3R, IEC 60529 IP24
- Package quantity 1

Part No.	SDV280-1
-----------------	----------

Small Rainproof Ventilator



- Designed to equalize internal / external pressure and temperature
- Ventilators assist in condensation prevention by allowing enclosures to breathe Suitable for most types of metallic and non-metallic enclosures
- Molded in corrosion resistant UV stabilized polycarbonate, finish RAL7035 Light Gray
- Gasket protection to enclosure wall
- Approximately 1.18" (30mm) high x 0.98" (25mm) wide
- Mount to enclosure wall thickness up to .16" (4mm)
- Internal vent channel & grille reduces insect intrusion
- Complies with NEMA Type 3R, IEC 60529 IP24
- Package quantity 1

Part No.	SDV180-1
-----------------	----------

Pressure Compensation Plug



- Packaged individually.
- Provides for controlled pressure compensation due to temperature variations (i.e. night/day operation).
- When mounted to bottom of enclosure, this unique design provides a method of effectively draining moisture from within the enclosure
- Recommend two plugs per cabinet in opposite locations.
- Pipe Thread M20 x 1.5 (minimum cutout 20.2 mm / 0.80 inches)
- Recommended Torque 10 NM

Part No.	BDN4XN1
-----------------	---------

CSA/A Ex Approvals: Class I, Zone 1, Ex e II

Class I Division 2 Groups ABCD

Class II EFG, Class III

Ingress Protection: IP66, CSA Enclosure Type NEMA 4X

Impact Resistance: 20Nm (7Nm GF Nylon)

Materials: Durethan BKV 30 N1 30% Glass Filled Nylon

O Ring - Nitrile

Fixing nut - Brass

Operating Temp: -50C to +85C

Technical references and CAD downloads available at www.hammondmfg.com

All dimensions in inches unless specified otherwise

Breather Kit



- Packaged individually.
- Provides for controlled pressure compensation due to temperature variations (i.e. night/day operation).
- Recommend two plugs per cabinet in opposite locations.
- Minimum cutout diameter 1.46"
- Includes sealing gasket

Dimensions	
Part No.	(Diameter x Depth)
SDA412	2.6" x 1.2"

Mounting:	PG 29 (1.14") thread with union nut, minimum cutout diameter
Material:	Polycarbonate UL94VO
Protection:	IP45
Color:	RAL 7035 Light Gray
Operating Temperature:	- 45 °C +70 °C
UV Rating:	per UL746C (F1)

Ventilation Kit Type 4X

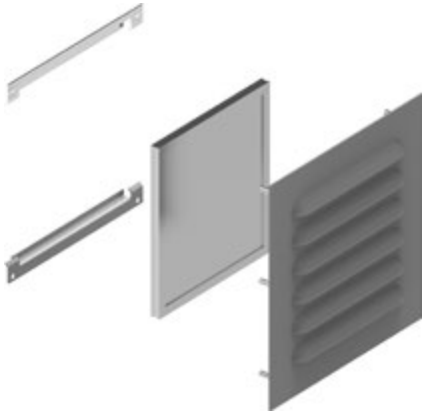


- Designed to equalize internal / external pressure and temperature
- Ventilators assist in condensation prevention by allowing enclosures to breathe
- Internal baffles create airflow pattern that allows air to pass between the inside of the enclosure to the outside environment
- Molded in corrosion resistant polycarbonate material finish in RAL7035 Light Gray
- Designed for use with enclosure wall thickness from 16 gauge to 1/4 "
- Compatible for use with both metallic and non-metallic enclosures
- Installation template included
- Package quantity 2

Part No.	SDVN4XN2
-----------------	-----------------

Ingress Protection	UL & CSA Type 1,3R,4, 4X IP66
Material	Injected Molded Polycarbonate
Gasket Material	(FIP) Polyurethane
Operating Temperature	266 F to -31F (130 C to -35 C)
Flamability	V-O per UL94
Outdoor rating	UV rating (f1) per UL746C-UV stabilized

Type 3R Louvered Vent Kits



Features

- Provides ventilation in enclosures for either indoor or outdoor locations
- Gasketed sealing kit provides protection to NEMA 3R
- Aluminum filter mesh provides ingress protection for both solid debris and outdoor rain conditions
- Easily field install kit includes all hardware
- Louver plates are offered in both 14 gauge steel with ANSI61 Gray power coat finish or 304 Stainless Steel
- Kits are sold in QTY 1. Replacement filter kits are sold in QTY 2.
- (Note: On Dec 1, 2019 a change was made to some of the previous louver patterns on this series - see table below for new specifications and/or the part drawing files for details. Air flow will be improved from previous designs. No change to plate size, filter size or mounting dimensions.)

Replacement Aluminum Filters

Part Number	Size H x W (in)
LFK55	3.15 x 3.00
LFK56	3.25 x 4.00
LFK66	4.375 x 4.00
LFK68	4.375 x 6.00
LFK88	6.625 x 6.00
LFK610	4.563 x 8.00
LFK810	6.938 x 8.00
LFK1110	9.313 x 8.00
LFK1510	14.062 x 8.00

Part Number		Overall Size H x W (inches)	Number of Louvers	Louver Length (inches)
ANSI 61 Gray	Stainless Steel			
1481L3R55GY	1481L3R55SS	5.56 x 5.30	3	3.00
1481L3R56GY	1481L3R56SS	5.30 x 6.30	3	4.00
1481L3R66GY	1481L3R66SS	6.40 x 6.30	4	4.00
1481L3R68GY	-	6.40 x 8.30	10	2.00
1481L3R88GY	-	8.69 x 8.30	16	2.00
1481L3R610GY	-	6.62 x 10.30	10	3.00
1481L3R810GY	-	9.0 x 10.30	14	3.00
1481L3R1110GY	-	11.37 x 10.30	20	3.00
1481L3R1510GY	-	16.12 x 10.30	34	3.00

Climate Control

Type 1 Louvered Ventilating Plates



Features

- Provides ventilation in enclosures where required.
- Easily installed in the field by cutting a square hole of the proper size and bolting the ventilator in place.
- Finished in gray.
- Hole diameter is 0.22".

Part No.	Plate Size		No. of Louvers	No. of Rows	Louvers Length	Opening Area (in2)
	Height	Width				
1481L44	5.62	5.50	4	1	4	4.5
1481L66	7.87	7.50	14	2	2	5.3
1481L88	10.56	10.50	18	2	4	20.2

Ventilation

Thermostats



Features

- Designed to provide air temperature control and monitoring in cabinets.
- Thermostat NC (Normally Closed) for the control of heaters and heater fans.
- Thermostat NO (Normally Open) for the control of cooling units, or for switching signal transmitters in case of overheating.
- Available in Fahrenheit or Celsius.

NC - Normally Closed (Red)

- Used in conjunction with heaters.
- Contact opens when rising temperatures reach the set point temperature, shutting heater off.

NO - Normally open (Blue)

- Used in conjunction with fans.
- Contact closes when rising temperatures reach the set point temperature, turning fan on.

Part No.	Scale	Contact Type	Dimensions	
			Height x Width x Depth	Switching Capacity
SKT011409NC	F°	Normally Closed	2.8 x 1.5 x 1.4	15A @ 120VAC, 10A @ 240VAC, 30W @ DC
SKT011409NC-C	C°	Normally Closed	2.8 x 1.5 x 1.4	15A @ 120VAC, 10A @ 240VAC, 30W @ DC
SKT011419NO	F°	Normally Open	2.8 x 1.5 x 1.4	15A @ 120VAC, 10A @ 240VAC, 30W @ DC
SKT011419NO-C	C°	Normally Open	2.8 x 1.5 x 1.4	15A @ 120VAC, 10A @ 240VAC, 30W @ DC

Sensor Element:	Thermostatic bi-metal
Switching difference (hysteresis):	+ or - 4°F (+or- 3°K)
Adjustment Range:	30 - 140°F / 0 - 60°C
Noise Suppression:	N (according to VDE 0875)
Connection:	2 pole terminal for AWG 14 (2.5 mm ²)
Mounting:	Easily installed by clip mounting on 35 or 38mm DIN rail (included)
Housing:	Flame retardant plastic UL94VO
Color:	Gray (SB)
Protection:	IP20
Approval:	UL Recognized Component, cUL Recognized Component, CE

Filter Coat



- Provides a filter adhesive with a grease-like consistency which absorbs and traps dust particles.
- 10 oz. bottle with environmentally friendly trigger spray.

Part No.	1475Q
----------	-------

Twin Thermostats



Features

- Designed to provide air temperature control and monitoring in cabinets
- Twin thermostats integrates two independently switchable thermostats, unlike thermostats with changeover contacts, connected devices can be switched in different temperature ranges.
- Available with N.C/N.O., N.C/N.C., N.O/N.O.

Climate Control Temperature Controls and Accessories

	Part Number		
Scale: (Fahrenheit)	SKTD541	SKTD542	SKTD543
Scale: (Celsius)	SKTD541C	SKTD542C	SKTD543C
Type of contact:	N.C. / N.O. with spring contact	N.C. / N.C. with spring contact	N.O. / N.O. with spring contact
Suitable for the operation of	Fan and Heater	Heaters and Alarms	Fans and Alarms
Switching tolerance:	+ - 4K		
Switching Capacity:	N.C. 240 VAC /10A N.O. 120 VAC / 15 A DC max 30watts		
Adjustment Range:	32-140° F / 0-60° C		
Connection:	Screw terminal for AWG 14 / (2.5mm ²)		
Mounting:	Clip mounting on 35 mm DIN rails		
Dimension	Height 3.17" (80.5mm) Width 2.32" (59mm) Depth 1.5" (38mm)		
Housing:	Flame retardant plastic UL94VO		
Color:	Light Gray RAL7035		
Protection:	IP20		
Approval:	UL Recognized Component, cUL Recognized Component, CE		

Mechanical Humidistat



Features

- Mechanical Humidistat regulates the control of heaters or fans whenever the preset level of relative humidity.

Part No.	Dimensions Height x Width x Depth	Switching Capacity
SKH600NCC	3.5 x 1.5 x 1.8	NOC FAN AC 120 V - 2A
		NOC FAN AC 240 V - 2A
		NCC Heater AC 120 V - 5A
		NCC Heater AC 240 V - 5A
		DC 30 Watts

Control Range:	40 to 90% r.H.
Differential Gap:	Approximately 5%
Switch Point Accuracy:	+/- 4% based on 50% r.H.
Working Temperature Range:	30°F to 140°F (0°C to 60°C)
Storage Temperature:	-5°F to 180°F (-20°C to 80°C)
Type of Contact:	Change-over switch
Sensor:	Polyamide band
Type of Connection:	2-pole clamp, For AWG14 (2.5mm ²)
Color:	RAL 7035 - Grey
Protection Category:	IP20
Mounting:	Easily installed by clip mounting on 35mm DIN rail (7 included)
Approval:	CE

Humidity and Temperature Control



Features

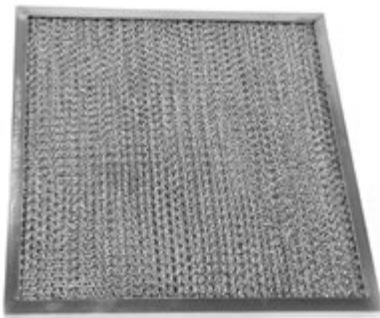
- Designed to provide both air temperature and humidity control as well as monitoring in electrical and electronic enclosures.
- Independently senses the relative humidity and temperature. Resistive and inductive loads (heaters or filter fans) can be switched.
- Highly effective in ATMs, parking control gates, ticket dispensers and traffic control systems where equipment is exposed to wide ranging outdoor elements.

Part No.	Dimensions Height x Width x Depth	Temperature Display	Operating Voltage
SKTH012009	3.0 x 2.4 x 1.77	+32 to + 140 F	100 - 240 VAC 50/60 Hz (min 90 V , max 265 V)
SKTH012009-C	3.0 x 2.4 x 1.77	0 to +60 C	100 - 240 VAC 50/60 Hz (min 90 V , max 265 V)

Switching Difference (temperature)	2K (+/- 1K at 25C (+77F) 50% RH)
Switching Difference (humidity)	4% RH (+/- 1K at 25C (+77F) 50% RH)
Setting range (humidity)	50 to 90% RH
Reaction time	aprox 5 sec
Contact type	Change over (relay)
Service life	NO/NC 30,000 cycles
Max Switching Relay output	10A Resistive / 1.6A inductive @ 240 VAC 0.6 @ 60 VDC
Max inrush current	AC 30 A for 10 sec
Case	Plastic UL 94V-O light Gray
Mounting	35 mm Din rail
Weight	3.5 oz . 100g
Protection	IP20
Approvals	UL file E164102 / UR componet / CE

Filter Kits

For DTS3XXX Series



- Field install kit for Condenser Fan intake
- Washable Aluminum mesh (except where noted)

Part Number	Description
18881500008	Aluminum filter kit for DTS 3021/3031 series
18881500005	Aluminum filter kit for DTS 3041/3061 series
18881500009	Aluminum filter kit for DTS 31xx series (except 31x5 and SL version)
18881500006	Aluminum filter kit for DTS 31x1 SL series
18380000025	Aluminum filter kit for DTS 31x5 series
18881500001	Aluminum filter kit for DTS 32xx series (except 32x5)
18881500007	Aluminum filter kit for DTS 32x5 series
18881500010	Filter kit for DTS 34xx series (pkg 5 - filter media)
18881500004	Aluminum filter kit for DTS 36xx series

Condensate Bottle



Features

- External container for collecting the accumulating condensed water
- Holds 33 oz (1 litre)
- For use with DTS, DTT, PWS series

Part No.	18314000100
----------	-------------

Climate Control Temperature Controls and Accessories

Premium Quick Filters

Externally Mounted Filter Roll



PQF Premium Quick Filter

- Quick, easy installation & filter replacement
- Remove and replace with new filter in seconds
- Suitable for use on any air-inlet opening on any type of equipment.
- Externally mounted using magnetic strips (included)
 - Note magnet not compatible with stainless steel or non-metallic - requires alternate mounting
- Flame retardant material is 40g/m² and 0.29mm thick.
- Filters out particulates (from 145 to 60µm) and oily mist from an air inlet
 - For pre-filtering, PQF does not provide IP or NEMA Type Rating.
- Each size is sold in roll of 60 tear-able square sheets: 200mm (8"), 300mm (12") and 400mm (16")

Part Number	Sheet Size
PQF200	200x200mm (8x8") - 60 sheets/roll
PQF300	300x300mm (12x12") - 60 sheets/roll
PQF400	400x400mm (16x16") - 60 sheets/roll

Water Condensate Evaporator



- High performance evaporation kit
- Easy to retrofit on any cooling unit

Part No.	KVDTX
Technical Data	
Max. Water Volume	13.5 oz (400 ml)
Evaporation Rate	3.4 oz/hr (100 ml/hr)
Electrical Data	
Voltage(s)	230v /115v
Frequency	50/60 Hz
Voltage Range	100-240v
Max. Power	125 W
Power Range	20-110 W
Nominal Current	0.5 A (230v) / 0.8 A (115v)
Starting Current	1.3 A
Zero Water Current	0.09 A (230v) / 0.18 A (115v)
Mechanical Data	
Height x Width x Depth	3.35" x 10.35" x 4.00"
	(85 x 263 x 102 mm)
Finish	Stainless Steel
Weight	2.6 lbs (1.175 Kg)

Technical references and CAD downloads available at www.hammondmfg.com

All dimensions in inches unless specified otherwise

General Accessories

Hardware

Door Clamping Hardware (Heavy Duty)	282
Junction Box Quick Release Clamp	282
Junction Box	282
Door Clamping Hardware	282
Junction Box Padlock Kit	282
Chassis Handles	283
Wallmount Quick Release Clamp	283
Type 12/4, 4X Handle Kits	284
Type 1 Lock Kit	284
Type 12 Handle Kits	285
Type 4 Hardware Kits	285
Type 4, 12 Lock Kit	285
Ground Lugs	286
Bonding Wire Kits	286
Padlock Adaptor (Eclipse/Series 2000)	286
Padlock Adaptor (EJ Series)	286
Quarter Turn Inserts and Keys	287
Quarter Turn Assemblies	287
Ground Stud Kit	287
Eclipse Replacement Hinge Pins	288
Hole Plugs	288
Hole Plugs (Type 4X Stainless Steel - UR/cUR)	289
Hole Plugs (Type 4X Non-metallic - UR/cUR)	289
Eclipse DIN Rail Mounting Kit	290
Eclipse DIN Rails	290
Eclipse Handles	290
Eclipse Mounting Foot Kit	291
Eclipse Rear Mounting Hole Plugs	291
PJU/PCJ Replacement Polycarbonate Flange	291
PJU/PCJ Replacement Polycarbonate Feet	292
PJ Stainless Replacement Mounting Feet	292
M6 Screw with Hex/Phillips Head	292
Washdown Quarter Turn Assemblies	293
Wallmount Stand-offs	293
PJ/PJU/PCJ Replacement Hardware Kits	293
Mechanical Interlock	294

Panels & Panel Accessories

Inner Panels (1414/EJ/HJ/PJ)	294
Inner Panels (1418/1447/PJW/PHW)	295
Inner Panels (Eclipse)	296
Inner Panels (1420)	297
Inner Panels (HN4FM/1422)	297
Inner Panels (PCJ)	298
Inner Panels (N1J)	298
Inner Panels (N1A)	299
Perforated Inner Panels (1418/1447/PJW/PHW)	299
Inner Panels (1418FS/HN4FS)	300
Perforated Inner Panels (N1A)	301
Perforated Inner Panels (N1J)	301
Swing Panel Kit	302
Terminal Straps and Brackets (1414/EJ/PJ)	302
Terminal Straps and Brackets (1418)	303
Eclipse Swing Panel	304
Swing Panel (PJ/PJU)	304
Swing Panel (PCJ)	305
Mounting Rack Rail Swing Frame (Eclipse)	305
Mounting Rack Rail Swing Frame (1418FS/HN4FS)	306
Freestanding Enclosure Center Panel Supports (1418FS/HN4FS)	306
Eclipse Rack Panel	307
NEMA Enclosure Rack Rails (1418FS/HN4FS)	307

Window Kits

Mild Steel and Stainless Steel Window Kits	308
Frameless Window Kits	308
Deep Hinged Window Kits	309
HMI Cover Prop Arm (PJHMI)	309
Polycarbonate HMI Hinged Cover Kits	310
Polycarbonate Inspection Window Kit	311
Deep Hinged HMI Cover Kits	311

Lighting

Fluorescent Light Kit & Accessories	312
LED Light Kit	312
Compact LED Light Kit	313
Remote Door Switches	313

Miscellaneous

DIN Mount Receptacle	313
Door Support Guide	314
Gland Plates	314
Gland Plates	315
Liquid-Tight Cordgrips (Nylon)	315
Liquid-Tight Cord Grips (Nickel Plated Brass)	316
Liquid-Tight, Strain Relief Cordgrips	316
Stack Lights	317
Flange Disconnect Operator Adaptor Kits	318
Drip Shield Kit	319
Pedestal and Base	319
Floor Stand Kit	320
Door Stop Kit	320
Touch-Up Spray Paint	321
Literature Pocket	321
Enclosure Stabilizers	322
Rack and Cabinet Caster Set	322
Panel Lifting Handles	323
Wash Down Floor Stand Kit	323
Waterfall Series Accessory	323
Gasket Kits	323
Fold Down Shelf	324
Pole Mounting Kit (PJ/PJU)	324
Pole Mounting Kit Junction and Wallmount Style	325
Top Hat Cable Modules	326
Barrier Kits for Type 4 Wallmount	327
Barrier Kits for Type 4 Floormount	327
Corrosion Inhibitors	328

Door Clamping Hardware

Heavy Duty



Features

- Replacement hardware for use on all 1418 and 1447 Series enclosures
- Formed heavy gauge stainless steel clamp with stainless steel hardware
- Sold in sets of two

Part No. 1481HC18

Door Clamping Hardware



Features

- Replacement hardware for use on 1414, HJ, 1485, 1486, and 1487 Hammond enclosures.
- Formed heavy gauge stainless steel.
- Set of two

Part No. 1481C14

Junction Box Padlock Kit



Features

- Field installed kit requires drilling of only 4 holes
- Compatible with 1414 and HJ Series junction boxes.
- Only available in 316 Stainless Steel.
- Sold Individually.
- Installation instructions provided.

Part No. 14PLKS16

Junction Box Quick Release Clamp

Junction Box



Features

- Installs easily on standard clamp bracket allowing for quick access.
- Compatible with 1414 and HJ Series junction boxes. Also 1485 Series wireway and 1486 trough.
- Available in plated or stainless steel.
- Sold Individually.

Part No.	Material
14QR	Plated Steel
14QRSS	304 SS
14QRS16	316 SS

General Accessories

Hardware

Chassis Handles



Features

- Material is round steel.
- Available in Chrome Plated or Black Powder Coated.
- Sold individually or in pairs (see table).
- Hardware included.

With Studs, Washers and Nuts

Chrome Part No. (Sold Individually)	Black Part No. (Sold Individually)	Black Part No. (Sold in Pairs)	Handle Mounting Hole Centers	Handle Depth	Handle Diameter	Stud Thread	Panel Height
1427N3			3.50	2.06	0.38	1/4-20	8.75
1427M3			5.25	2.06	0.38	1/4-20	12.25

With Screws

Chrome Part No. (Sold Individually)	Black Part No. (Sold Individually)	Black Part No. (Sold in Pairs)	Handle Mounting Hole Centers	Handle Depth	Handle Diameter	Screw Thread	Panel Height
1427B	1427B1BK		1.25	0.62	0.19	4-40	1.75
1427B2	1427B2BK-1	1427B2BK	1.25	1.00	0.19	6-32	1.75
1427D			1.75	0.75	0.19	4-40	5.25
1427E	1427E1BK-1	1427E1BK	2.00	1.00	0.19	6-32	5.25
1427Q			2.25	1.00	0.25	6-32	5.25
1427P	1427P1BK-1	1427P1BK	2.80	1.00	0.25	6-32	5.25
1427G2	1427G2BK		3.00	1.00	0.19	4-40	8.75
1427G3	1427G3BK		3.00	1.50	0.31	10-32	8.75
1427G			3.00	1.75	0.25	8-32	8.75
1427N	1427N1BK		3.50	1.20	0.38	10-32	8.75
1427N2	1427N2BK		3.50	1.50	0.25	8-32	8.75
1427C1	1427C1BK		4.00	1.30	0.38	10-32	8.75
1427S3	1427S3BK		4.00	1.50	0.31	10-32	8.75
1427S			4.00	1.50	0.25	8-32	8.75
1427S2	1427S2BK		4.00	1.75	0.25	8-32	8.75
1427U3	1427U3BK		4.50	1.50	0.31	10-32	8.75
1427T3	1427T3BK		5.00	1.50	0.31	10-32	12.25
1427T			5.00	1.50	0.25	8-32	12.25
1427T2			5.00	1.75	0.25	8-32	12.25
1427M	1427M1BK		5.30	1.20	0.38	10-32	12.25
1427W			6.00	1.50	0.25	8-32	12.25
1427W3	1427W3BK		6.00	1.75	0.31	10-32	12.25
1427W2			6.00	1.75	0.25	8-32	12.25
1427L	1427L1BK		7.00	1.30	0.38	10-32	14.00
1427H			8.00	1.63	0.38	10-32	14.00

Wallmount Quick Release Clamp

Wallmount Enclosure



Features

- Provides fast access to conventional screw clamp type enclosures.
- Installs on clamp bracket in place of screw on 1418, 1418N4, 1447N4, and 1422N4 Series enclosures.
- Entire assembly is 304 stainless steel.
- Set of two.

Part No.	1418QR
-----------------	--------

Type 12/4, 4X Handle Kits



Features

- Durable zinc die-cast or stainless steel
- Removable handle stop for clockwise / counter-clockwise operation
- Textured powder coat Black finish on zinc cast handle
- Maintains NEMA rating of the enclosure
- Padlock “trigger” design for security requirements
- Optional key lock or defeater available (key lock versions include 2 keys)
- The handle can be used on Hammond enclosures as field installation (1418, 1422, UHD, HN4, HWHK) or installed on these or other series at the factory ... contact Hammond

Part No.	Description	Material	NEMA Rating
MHK1	6" PADLOCKING 1PT. LATCH	Zinc	12, 4
MHK2	6" PADLOCKING 3PT < 60"	Zinc	12, 4
MHK3	6" PADLOCKING 3PT > 60"	Zinc	12, 4
MHKD1	6" PADLOCKING DEFEATER 1PT LATCH	Zinc	12, 4
MHKD2	6" PADLOCKING DEFEATER 3PT < 60"	Zinc	12, 4
MHKD3	6" PADLOCKING DEFEATER 3PT > 60"	Zinc	12, 4
MHKL1	6" KEYED PADLOCKING 1PT LATCH	Zinc	12, 4
MHKL2	6" KEYED PADLOCKING 3PT < 60"	Zinc	12, 4
MHKL3	6" KEYED PADLOCKING 3PT > 60"	Zinc	12, 4
MHK1SS	6" SS PADLOCKING 1PT LATCH	316 SS	4X
MHK2SS	6" SS PADLOCKING 3PT LATCH < 60"	316 SS	4X
MHK3SS	6" SS PADLOCKING 3PT LATCH > 60"	316 SS	4X
MHKD1SS	6" SS PADLOCKING DEFEATER 1PT LATCH	316 SS	4X
MHKD2SS	6" SS PADLOCKING DEFEATER 3PT < 60"	316 SS	4X
MHKD3SS	6" SS PADLOCKING DEFEATER 3PT > 60"	316 SS	4X
MHKL1SS	6" SS KEYED PADLOCKING 1PT LATCH	316 SS	4X
MHKL2SS	6" SS KEYED PADLOCKING 3PT < 60"	316 SS	4X
MHKL3SS	6" SS KEYED PADLOCKING 3PT > 60"	316 SS	4X

General Accessories

Hardware

Type 1 Lock Kit

Features

- Installs in place of the existing slotted latch, or in cutout hole provided.
- Reversible cam position for other applications.
- Maintains NEMA1 rating.



Part No.	Fits Enclosure Series
1427LKN1	1420, N1A
N1JLK	N1J, N1W, CHKO, N1WF, SWB

Type 12 Handle Kits



Features

- Designed for field installation on most 1418 Series single door enclosures (does not fit 1418 J Series).
- Available with key locking and non-locking handles.
- Single point kits include a handle and latch cam.
- Three point kits include a handle, latch cam, latch rods and adjustable rod guides.
- Latch rod ends have rollers for easier door closing.
- All parts are plated or painted for corrosion resistance.
- Note: AHK handle design shown - see individual CAD images for exact representation of each version.

Tee Locking Handle	Description
THK1	1 point latch
THK2	3 point latch 48" and under
THK3	3 point latch 60" and over

Locking Handle	Handle Rotation
AHKL1	counter clockwise
AHKL2	counter clockwise
AHKL3	counter clockwise

Non-Locking Handle	Handle Rotation
AHK1	clockwise
AHK2	clockwise
AHK3	clockwise

Type 4 Hardware Kits



Features

- When used as instructed, kits maintain the UL/CSA Type rating of Hammond enclosures which unapproved hardware will not.
- Screws require hex driver making them virtually tamper proof.
- Kit includes 50 stainless steel screws, sealing washers and nuts with one hex driver per kit.
- Offered in 8-32, 10-32 and ¼-20 at various lengths.

Part No.	Description
1421N4AA50	8-32 x ½" Kit
1421N4AB50	8-32 x 1" Kit
1421N4BA50	10-32 x ½" Kit
1421N4BB50	10-32 x 1" Kit
1421N4CA50	¼-20 x 5/8" Kit
1421N4CB50	¼-20 x 1" Kit

Type 4, 12 Lock Kit



Features

- Designed for installation on most 1418 Series single door enclosures (does not fit 1418 J Series).
- Wing knob design is easy to open once latch unlocked.
- Black, zinc diecast wing knob.
- Requires a drilled or punched hole to receive cylinder lock.
- Internal "O" ring provides dust and water tight construction.
- Maintains enclosure's Type 12/4 UL/CSA rating when installed per instructions.

Part No.	Description
2WKL18	

Ground Lugs



Features

- Dual L16 type aluminum lug.
- Provides excellent grounding.
- Accepts wire sizes from 1/0 to 14.
- Packaged individually.
- Mounting hardware not included (requires drilling of bus bar).

Part No.	Overall Dimensions			Mounting Hole
	Height	Width	Length	Diameter
DNGL	0.66	1.13	1.23	0.26

Bonding Wire Kits



Features

- 12", 16", or 22" long - 10 Gauge Copper Wire.
- Terminated with crimped on terminals.
- Terminal hole is 0.256" diameter.
- Includes mounting hardware for both 1/4-20 or 10-32 ground studs.
- Includes stick-on grounding symbols (two for each jumper).

Part No.	Description	Length
GRDKIT01	Includes (2) ground cables.	12"
GRDKIT02	Includes (6) ground cables.	16"
GRDKIT03	Includes (1) ground cable with #10 hardware only.	12"
GRDKIT04	Includes (4) ground cables with quick disconnecting terminals.	12"
GRDKIT05	Includes (1) ground cable with quick disconnecting terminals.	22"

General Accessories

Hardware

Padlock Adaptor



Features

- Designed for use with EN4SD /2000 Series Enclosures. Also compatible with C2, C4 and HWM rack cabinets.
- Easily installed in the field.
- The padlock adaptor fits directly over the quarter-turn lock or slot preventing access.
- Constructed in 14-gauge 316 stainless steel.
- Includes stainless steel mounting hardware.
- Once installed, the bolts cannot be removed without the door open.
- The padlock is not included.
- Maintains UL/CSA Type 4, 4X rating.

Part No.	EPA
----------	-----

Padlock Adaptor

EJ Series



Features

- For use with Eclipse Junior (EJ) Series enclosures.
- Padlock adapter fits directly over the slotted quarter turn preventing access.
- 2mm thick 14 gauge stainless steel.
- Stainless steel mounting hardware provided.
- Once installed, the bolts cannot be removed without the door open.
- Easy installed in the field.
- Padlock not included.
- Maintains UL/CSA Type 4, 4X rating.

Part No.	EJPA
----------	------

Quarter Turn Inserts and Keys



Features

- For Eclipse Series Enclosures
- Field installable inserts replace standard quarter turn slot.
- Available in double bit, square and triangle formats, as well as slotted.
- Maintains NEMA, UL and CSA 12, 4 and 4X ratings.
- Non-slot inserts provide extra security since standard screw drivers cannot open.
- Keys sold separately from inserts.

Part No.	Description
2SQI7	7mm square insert, black
2SQK7	7mm square key, fits 2SQI7
2TRI7	7mm triangle insert, black
2TRK7	7mm triangle key, fits 2TRI7
2SLI	Slotted insert, black
2DBI3	Double bit insert, 3mm pin, black
2DBI3SS	Double bit insert, 3mm pin, stainless
PMKEY	Double bit key, fits 2DBI3/2DBI3SS

Quarter Turn Assemblies



Features

- Field installable.
- Interchangeable with standard quarter turn latches on Eclipse/Eclipse Jr series.
- Maintains NEMA, UL and CSA ratings as noted.

Part No.	Description	Material	NEMA Rating	For Use With
EQTRL ¹	Locking Qtr Turn	Zinc Die/Chrome	n/a	ESP Swing Panel (internal use only)
2QTR	Slotted Qtr Turn	Zinc Die/Black	12, 4	EN4SD Series
2SSQTR	Slotted Qtr Turn	Stainless steel	12, 4, 4X	EN4SD Series
2WKL	Wing knob lock	Zinc Die/Black	12, 4	EN4SD Series
2QPL	Padlockable quarter turn latch	Zinc Die/Black	12, 4	EN4SD Series
EJQTR	Slotted Qtr Turn	Zinc Die/Black	12, 4	EJ Series
EJSSQTR	Slotted Qtr Turn	Stainless Steel	12, 4, 4X	EJ Series
EJWKL	Key Locking Wing Knob Latch	Zinc Die/Black	12, 4	EJ Series
EJWKNL	Non-Locking Wing Knob Latch	Zinc Die/Black	12, 4	EJ Series

¹ For use with Swing Frame/Panel

Ground Stud Kit



Features

- Ground Lug provides continuous ground through enclosure body
- O-ring seals securely within a precision groove outside dimension 0.875"
- Brass 3/8-16 thread both ends
- 1" threaded portion
- Mounting hardware included (requires drilling of .425" hole)

Part No.	GRDT375
----------	---------

Eclipse Replacement Hinge Pins



- These are supplied with enclosure but offered here as replacements should originals be misplaced.
- Stainless steel
- Packaged in quantities of 5.

Part No.	EPINSS
-----------------	--------

General Accessories

Hole Plugs



Features

- Designed to seal unused pushbutton holes, conduit openings and knockout holes against dust, oil and water.
- Standard Pushbutton size is 30.5mm; Mini Pushbutton size is 22.5mm
- Steel Hole Plug
 - Available in 12 sizes.
 - Finished in 2 color options - ANSI 61 gray or RAL7035 Light Gray
 - Oil resistant gasket.
 - Secured with an 10-24 x 0.55" threaded stud and plated wing nut.
 - Recognized component UR & cUR Type 1, 3, 3R, 4, 12 and 13
- Stainless Steel Hole Plugs
 - Available in 8 sizes.
 - Finished in brushed natural 304 stainless steel finish.
 - Oil resistant gasket.
 - Secured with an 10-24 x 0.55" threaded stud and plated wing nut.
 - Recognized component UR & cUR Type 1, 3, 3R, 4, 4X, 12 and 13

Hardware

Stainless Steel

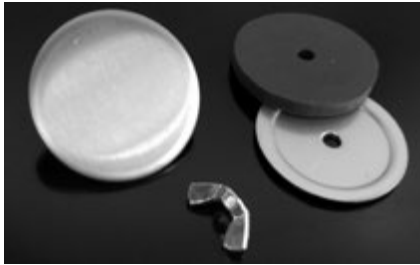
Part No.	Description	Max Hole Diameter	Plug Diameter
HP22SS	22mm Pushbutton	0.88	1.22
HP50SS	.5" Conduit	0.88	1.38
HP75SS	.75" Conduit	1.06	1.56
HPBSS	Std. Pushbutton	1.25	1.75
HP100SS	1" Conduit	1.38	1.88
HP125SS	1.25" Conduit	1.69	2.19
HP150SS	1.5" Conduit	2.00	2.50
HP200SS	2" Conduit	2.50	3.00

Steel

ANSI 61 Gray	RAL7035 Lt Gray			
Part No.	Part No.	Description	Max Hole Diameter	Plug Diameter
HP22	HP22LG	22mm Mini Pushbutton	0.88	1.22
HP50	HP50LG	.5" Conduit	0.88	1.38
HP75	HP75LG	.75" Conduit	1.06	1.56
HPB	HPBLG	Std. Pushbutton	1.25	1.75
HP100	HP100LG	1" Conduit	1.38	1.88
HP125	HP125LG	1.25" Conduit	1.69	2.19
HP150	HP150LG	1.5" Conduit	2.00	2.50
HP200	HP200LG	2" Conduit	2.50	3.00
HP250	HP250LG	2.5" Conduit	3.00	3.50
HP300	HP300LG	3" Conduit	3.62	4.12
HP350	HP350LG	3.5" Conduit	4.12	4.62
HP400	HP400LG	4" Conduit	4.62	5.12

Hole Plugs

Type 4X Stainless Steel - UR/cUR



Features

- Designed to seal unused pushbutton holes, conduit openings and knockout holes against dust, oil and water.
- Standard Pushbutton size is 30.5mm
- Available in 8 sizes.
- Finished in brushed natural 304 stainless steel.
- Oil resistant gasket.
- Secured with an 10-24 x 0.55" threaded stud and stainless steel wing nut.
- Recognized component UR & cUR
 - Type 1, 3, 3R, 4, 4X, 12 and 13

Part No.	Description	Max Hole Diameter	Plug Diameter
HP22SSN4	22mm Pushbutton	0.88	1.22
HP50SSN4	.5" Conduit	0.88	1.38
HP75SSN4	.75" Conduit	1.06	1.56
HPBSSN4	30mm Pushbutton	1.25	1.75
HP100SSN4	1" Conduit	1.38	1.88
HP125SSN4	1.25" Conduit	1.69	2.19
HP150SSN4	1.5" Conduit	2.00	2.50
HP200SSN4	2" Conduit	2.50	3.00

Hole Plugs

Type 4X Non-metallic - UR/cUR



Features

- Designed to seal unused pushbutton holes, conduit openings and knockout holes against dust, oil and water.
- Standard Pushbutton size is 30.5mm
- Available in 11 sizes.
- Available in 2 color options - ANSI 61 Gray (GY) & RAL7035 Light Gray (LG)
- Compatible with enclosure wall thickness from 16 gauge to 1/4"
- Self centering, anti-rotational design for fast and easy one person installation, no tools required
- Recognized component for use with UL & CSA listed enclosures
 - Type 1, 3, 3R, 4, 4X
- Molded in polycarbonate with neoprene/EPDM gasket material

RAL7035 Part No.	ANSI 61 Part No.	Description	Plugged Hole Diameter Range	Wall Thickness Range	External Dia.
HP12PCLG	HP12PCGY	Pilot Light (.50)	0.50 - 0.81	0.06 - 0.25	1.12
HP50PCLG	HP50PCGY	.5" Conduit (.875) 22mm PB (.886)	0.81 - 0.94	0.06 - 0.25	1.25
HP75PCLG	HP75PCGY	.75" Conduit (1.109) 30mm PB (1.21)	1.00 - 1.31	0.06 - 0.25	1.62
HP100PCLG	HP100PCGY	1" Conduit (1.375)	1.38 - 1.62	0.06 - 0.25	1.92
HP125PCLG	HP125PCGY	1.25" Conduit (1.734)	1.69 - 1.88	0.06 - 0.25	2.18
HP150PCLG	HP150PCGY	1.5" Conduit (1.984)	2.00 - 2.19	0.06 - 0.25	2.50
HP200PCLG	HP200PCGY	2" Conduit (2.469)	2.50 - 2.75	0.06 - 0.25	3.12
HP250PCLG	HP250PCGY	2.5" Conduit (2.969)	2.88 - 3.12	0.06 - 0.25	3.50
HP300PCLG	HP300PCGY	3" Conduit (3.594)	3.50 - 3.75	0.06 - 0.25	4.12
HP350PCLG	HP350PCGY	3.5" Conduit (4.125)	4.00 - 4.25	0.06 - 0.25	4.62
HP400PCLG	HP400PCGY	4" Conduit (4.641)	4.50 - 4.75	0.06 - 0.25	5.12

Eclipse DIN Rail Mounting Kit

- Field installable.
- Mounts directly to panel collar studs (panel not required).
- Accepts optional DIN rails.
- DIN rails available separately.
- Zinc plated, yellow dichromate.



Part No.	Length
2DMK12	10.00
2DMK16	14.00
2DMK20	18.00
2DMK24	22.00
2DMK30	28.00

General Accessories

Eclipse DIN Rails



- Field installable.
- Includes a set of 3 plated rails.
- Available in 3 industry standard profiles - DIN 1, DIN 3, and CENELEC.
- DIN rail mounting kit required for installation.
- Rails have an oblong slot on each end for ease of mounting.
- Zinc plated.

Asymmetric DIN 1 Profile		Symmetric DIN 3 Profile		Cenelec Profile	
Part No.	Length	Part No.	Length	Part No.	Length
2D1K12	9.75	2D2K12	9.75	2DCK12	9.75
2D1K16	13.75	2D2K16	13.75	2DCK16	13.75
2D1K20	17.75	2D2K20	17.75	2DCK20	17.75
2D1K24	21.75	2D2K24	21.75	2DCK24	21.75
2D1K30	27.75	2D2K30	27.75	2DCK30	27.75

Hardware

Eclipse Handles

- Field installable.
- Interchangeable with standard quarter turn latches.
- Maintain NEMA, UL and CSA ratings as noted.
- Swing Adjustment Kit - provides a set of 3 replacement rollers when an Eclipse single door needs to swing in the opposite direction. For enclosures with handles up to 60" high, use one kit. For 72" enclosures, 2 kits required.



Part No.	Description	Material	NEMA Rating
EHTL	Locking T Handle	Zinc Die/Black	12, 4
EHLL	Locking L Handle	Zinc Die/Black	12, 4
EHLNL	Non Locking L Handle	Zinc Die/Black	12, 4
EHLPL	Padlockable L Handle	Zinc Plated	12
EHLPL2	Padlockable L Handle	Zinc Plated	12
EHLPLSS	Padlockable L Handle	Stainless Steel	12, 4, 4X
EHLNLSS	Non Locking L Handle	Stainless Steel	12, 4, 4X
EHLSS	Locking L Handle	Stainless Steel	12, 4, 4X
EHLSSAK	Swing Adjustment Kit - package includes 3 reverse rollers	Nylon	internal

Eclipse Mounting Foot Kit



- Maintains UL, CSA and NEMA ratings.
- Field installable.
- New triangular flanges prevent the foot from rotating
- Foot can still be mounted sideways as well as top/bottom
- Available in mild, 304SS and 316SS
- Packaged in quantities of four

Part No.	Material
EZPMFHD	Clear Zinc Plated, mild steel
ESSMFHD	Type 304 Stainless
ES16MFHD	Type 316 Stainless

Eclipse Rear Mounting Hole Plugs

- Used to plug rear mounting holes for Eclipse series
- Snap in plug designed for rear .50" mounting hole
- Packaged in quantities of 40



Part No.	EN4PLUG40
----------	-----------

PJU/PCJ Replacement Polycarbonate Flange

- Sold in pairs.
- For use with PJU and PCJ non-metallic enclosures.



Part No.	PJU/PCJ Flange Fits
PJFPUWM6	6x6, 8x6
PJFPUWM108	10x8
PJFPUWM1210	12x10
PJFPUWM1412	14x12
PJFPUWM1614	16x14
PJFPUWM1816	18x16
PJFPUWM2016	20x16

PJU/PCJ Replacement Polycarbonate Feet

- Sold in sets of 4.
- For use with PJU and PCJ non-metallic enclosures.



Part No.	PJU Feet Fits
PJW4NUFS	6x6 through 14x12
PJW4NULFS	16x14 through 20x16

General Accessories

PJ Stainless Replacement Mounting Feet

- 316 Stainless sold in sets of 4.
- For use with PJ Series non-metallic enclosures.



Part No.	316 SS PJ Feet Fit
PJW4NFS	6x6 through 20x16
PJW4NLS	24x20 through 30x24

Hardware

M6 Screw with Hex/Phillips Head

Features

- M6 x 0.4724 inch (12mm) length steel screws.
- 25/64 (10mm) Hex Phillips head screws.
- Zinc plated finish.
- Designed for use with the HMEGS but can be used for rack mount applications.
 - Please note that when used for rack mount applications, the screw head exceeds rack unit space.
- Packaged in a reusable jar.



Part No.	Qty Included	Screw Head Diameter	Screw Head Height	Screw Length
1421HPM625	25 Screws	0.51	0.23	0.47

Washdown Quarter Turn Assemblies

Waterfall Series Accessory



Latch Features

- Replaces standard quarter turn provided with enclosure
- Unique no-crevice design ideal for food and beverage applications
- 316L stainless steel construction
- Red, silicon O-Ring
- Sold individually

Latch Key Features

- Hollow, female key designed for use with EQTFG
- Sold individually

Part No.	Description
EQTFG	Quarter Turn Latch (ea.)
EFGK	Key (ea.)

*Maintains NSF Rating when installed on NSF Rated Enclosures

Wallmount Stand-offs

Waterfall Series Accessory



Features

- Provides space between enclosure and mounting surface
- Installs into pre-drilled mounting holes in rear of enclosure
- Offered in several lengths
- 316L stainless steel construction
- Set of 4

Part No.	Description
ST1MFSS316	1" Stand-off
ST2MFSS316	2" Stand-off
ST4MFSS316	4" Stand-off
ST6MFSS316	6" Stand-off

PJ/PJU/PCJ Replacement Hardware Kits



Part No.	Quantity	Description
PJLKIT316	1	Snap latch for PJ series with rivets and screws
PJTKIT316	1	Twist latch for PJ series with rivets and screws
PJSKIT316	20	Cover screws for PJ, PJU, PCJ
PCJLLPSH	1	Snap latch 316 for PJU & PCJ series with moulded keeper
PCJLTSPH	1	Twist latch 316 for PJU & PCJ series with moulded keeper
PCJLLPNH	1	Snap latch non-metallic for PJU & PCJ series with moulded keeper
PCJHINGECLIP	2	Hinge clips for PCJ

Mechanical Interlock



Application

- Designed to mechanically interlock doors on 2 door cabinets featuring handles and a center-post design. Cam on slave door held in place until Master door opened. Either door can be made master door with this kit.
- Ideal for use with Hammond series that do not include a mechanical interlock as standard.
- Can be installed on 1422N4 (mild or stainless steel), HN4FM (mild or stainless steel), HN4WM (mild or stainless steel), and HN4FS 2 door units (mild or stainless steel).

Standards

- Does not compromise approval rating of enclosure.

Construction

- Kit includes: Base plate, spring, right and left slave bracket (user chooses appropriate), mounting hardware
- Formed from 10 gauge 304 stainless steel
- Finish is unpainted

Part No.	MIKIT
----------	-------

General Accessories Hardware

Inner Panels

1414, EJ, HJ and PJ Series Enclosures



Features

- Steel panels are 14 gauge steel and are finished in white.
- Fiberglass panels (off-white) in NEMA sizes.
- Aluminum panels are 0.080 type 5052 H-32 aluminum, unpainted.
- Galvanized panels are 14 gauge unpainted galvanized steel.
- Stainless steel panels are 14 gauge and are brushed 304 SS.
- Mounting hardware is included with the enclosure.
- Steel panels and mounting hardware are included with 1414 Series enclosures.
- Galvanized panels and mounting hardware are included with the EJ Series enclosures.
- Mounting hardware is included with PJ Series enclosures, order panel separately.

Steel Part No.	Fiberglass Part No.	Aluminum Part No.	Galv. Steel Part No.	Stainless Steel Part No.	Panel		For Use with 1414 and EJ		For Use with PJ Series	
					L	W	H	W	H	W
14R0503		14A0503	14G0503	14R0503SS	4.88	2.88	6.00	4.00	-	-
14R0505	14F0505	14A0505	14G0505	14R0505SS	4.88	4.88	6.00	6.00	7.04	7.04
14R0705	14F0705	14A0705	14G0705	14R0705SS	6.75	4.88	8.00	6.00	8.94	7.06
14R0707		14A0707	14G0707	14R0707SS	6.75	6.88	8.00	8.00	-	-
14R0907	14F0907	14A0907	14G0907	14R0907SS	8.75	6.88	10.00	8.00	11.08	9.20
14R0909		14A0909	14G0909	14R0909SS	8.75	8.88	10.00	10.00	-	-
14R1105		14A1105	14G1105		10.75	4.88	12.00	6.00	-	-
14R1109	14F1109	14A1109	14G1109	14R1109SS	10.75	8.88	12.00	10.00	13.08	11.20
14R1111	14F1111	14A1111	14G1111	14R1111SS	10.75	10.88	12.00	12.00	-	-
14R1307		14A1307	14G1307		12.75	6.88	14.00	8.00	-	-
14R1311	14F1311	14A1311	14G1311	14R1311SS	12.75	10.88	14.00	12.00	15.08	13.20
14R1509		14A1509	14G1509		14.75	8.88	16.00	10.00	-	-
14R1513	14F1513	14A1513	14G1513	14R1513SS	14.75	12.88	16.00	14.00	17.22	15.34
P1868	F1868	A1868			16.88	14.88	-	-	19.34	17.34
P2068	F2068	A2068			18.44	14.44	-	-	20.94	16.94

 Technical references and CAD downloads available at www.hammondmfg.com

All dimensions in inches unless specified otherwise

Inner Panels

1418, 1447, PJW, and PHW Wallmount Enclosures



Features

- Steel panels are 12 gauge steel and are finished in white.
- Galvanized panels are 12 gauge unpainted galvanized steel.
- Stainless steel panels are 12 gauge and are brushed 316 SS.
- Aluminum panels are 5052-H32 aluminum alloy.
- Larger panels have two or four formed flanges.
- Some larger panels are 10 gauge.
- Panel mounting hardware not included (provided with enclosure).

Steel	Galv. Steel	Stainless Steel	Aluminum	Panel			
Part No.	Part No.	Part No.	Part No.	L	W	H	W
18P0909	18G0909			9.00	9.00	12.00	12.00
18P1309	18G1309	18P1309S16	18A1309	13.00	9.00	16.00	12.00
18P1313	18G1313	18P1313S16	18A1313	13.00	13.00	16.00	16.00
18P1515	18G1515			15.00	15.00	18.00	18.00
18P1709	18G1709			17.00	9.00	20.00	12.00
18P1713	18G1713	18P1713S16	18A1713	17.00	13.00	20.00	16.00
18P1717	18G1717	18P1717S16	18A1717	17.00	17.00	20.00	20.00
18P2109	18G2109			21.00	9.00	24.00	12.00
18P2113	18G2113	18P2113S16		21.00	13.00	24.00	16.00
18P2117	18G2117	18P2117S16	18A2117	21.00	17.00	24.00	20.00
18P2121	18G2121	18P2121S16	18A2121	21.00	21.00	24.00	24.00
18P2709	18G2709			27.00	9.00	30.00	12.00
18P2713	18G2713			27.00	13.00	30.00	16.00
18P2717	18G2717	18P2717S16		27.00	17.00	30.00	20.00
18P2721	18G2721	18P2721S16	18A2721	27.00	21.00	30.00	24.00
18P2727	18G2727	18P2727S16		27.00	27.00	30.00	30.00
18P3321	18G3321	18P3321S16	18A3321	33.00	21.00	36.00	24.00
18P3327	18G3327	18P3327S16	18A3327	33.00	27.00	36.00	30.00
18P3333	18G3333	18P3333S16		33.00	33.00	36.00	36.00
18P3921	18G3921			39.00	21.00	42.00	24.00
18P3927	18G3927	18P3927S16		39.00	27.00	42.00	30.00
18P3933	18G3933	18P3933S16		39.00	33.00	42.00	36.00
18P4521	18G4521			45.00	21.00	48.00	24.00
18P4527	18G4527			45.00	27.00	48.00	30.00
18P4533	18G4533	18P4533S16	18A4533	45.00	33.00	48.00	36.00
18P5721	18G5721			57.00	21.00	60.00	24.00
18P5733	18G5733	18P5733S16	18A5733	57.00	33.00	60.00	36.00
18P6927	18G6927			69.00	27.00	72.00	30.00
18P6933	18G6933			69.00	33.00	72.00	36.00

Inner Panels

Eclipse Series Enclosures



Features

- Larger than standard NEMA panel used in same sized enclosure.
- 12gauge steel construction.
- Larger sizes have 2 or 4 formed flanges for added strength.
- Slotted corner design for easier mounting.
- Finished in white or unpainted galvanized.

General Accessories Panels and Panel Accessories

Mild Steel Part No.	Galvanized Part No.	Size		
		D	E	Gauge
EP1210	EPG1210	10.20	8.20	12
EP1212	EPG1212	10.20	10.20	12
EP1224	EPG1224	10.20	22.20	12
EP1612	EPG1612	14.20	10.20	12
EP1616	EPG1616	14.20	14.20	12
EP1620	EPG1620	14.20	18.20	12
EP2012	EPG2012	18.20	10.20	12
EP2016	EPG2016	18.20	14.20	12
EP2020	EPG2020	18.20	18.20	12
EP2024	EPG2024	18.20	22.20	12
EP2412	EPG2412	22.20	10.20	12
EP2416	EPG2416	22.20	14.20	12
EP2420	EPG2420	22.20	18.20	12
EP2424	EPG2424	22.20	22.20	12
EP2430	EPG2430	22.20	28.20	12
EP2442	EPG2442	22.20	40.20	12
EP2448	EPG2448	22.20	46.20	12
EP3012	EPG3012	28.20	10.20	12
EP3016	EPG3016	28.20	14.20	12
EP3020	EPG3020	28.20	18.20	12
EP3024	EPG3024	28.20	22.20	12

Mild Steel Part No.	Galvanized Part No.	Size		
		D	E	Gauge
EP3030	EPG3030	28.20	28.20	12
EP3036	EPG3036	28.20	34.20	12
EP3042	EPG3042	28.20	40.20	12
EP3048	EPG3048	28.20	46.20	12
EP3060	EPG3060	28.20	58.20	12
EP3624	EPG3624	34.20	22.20	12
EP3630	EPG3630	34.20	28.20	12
EP3636	EPG3636	34.20	34.20	12
EP3642	EPG3642	34.20	40.20	12
EP3648	EPG3648	34.20	46.20	12
EP3660	EPG3660	34.20	58.20	12
EP4224	EPG4224	40.20	22.20	12
EP4230	EPG4230	40.20	28.20	12
EP4236	EPG4236	40.20	34.20	12
EP4824	EPG4824	46.20	22.20	12
EP4830	EPG4830	46.20	28.20	12
EP4836	EPG4836	46.20	34.20	12
EP4848	EPG4848	46.20	46.20	12
EP6036	EPG6036	58.20	34.20	12
EP7230	EPG7230	70.20	28.20	12
EP7236	EPG7236	70.20	34.20	12

Inner Panels

1420 Series Enclosures



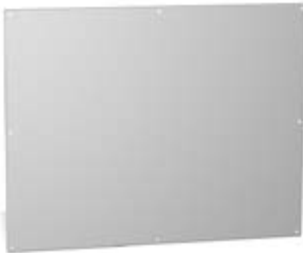
Features

- Panels and mounting hardware are included with 1420 Series enclosures.
- 12 gauge steel finished in white.

Part No.	Panel		For Use With Enclosure	
	L	W	H	W
20P1410	14.00	10.00	16.00	12.00
20P1814	18.00	14.00	20.00	16.00
20P1818	18.00	18.00	20.00	20.00
20P2218	22.00	18.00	24.00	20.00
20P2222	22.00	22.00	24.00	24.00
20P2818	28.00	18.00	30.00	20.00
20P2822	28.00	22.00	30.00	24.00
20P3422	34.00	22.00	36.00	24.00
20P3428	34.00	28.00	36.00	30.00
20P4022	40.00	22.00	42.00	24.00
20P4028	40.00	28.00	42.00	30.00
20P4034	40.00	34.00	42.00	36.00
20P4634	46.00	34.00	48.00	36.00

Inner Panels

HN4FM/1422 Series Floormount Enclosures



Features

- 22P5038 is formed from 12 gauge steel, all others are 10 gauge steel.
- Panels and mounting hardware are included with 1422 and HN4FM Series enclosures.
- Finished in white.

Part No.	Panel		For Use With Enclosure	
	L	W	H	W
22P5038	50.00	38.00	54.00	42.00
22P5644	56.00	44.00	60.00	48.00
22P5656	56.00	56.00	60.00	60.00
22P6856	68.00	56.00	72.00	60.00
22P6868	68.00	68.00	72.00	72.00

Inner Panels

PCJ Series Enclosures



Features

- 14 gauge steel panels are finished in white
- Aluminum panels are 0.080 type 5052 H-32 aluminum, unpainted
- Steel and Aluminum panels are sold separate for the PCJ Series enclosures
- PVC (Polyvinyl Chloride) back panels are 0.188 material dark gray finish. Temperature up to 140° (60°C)
- Mounting hardware is included with PCJ Series enclosures, order panel separately

Mild Steel Part No.	Aluminum Part No.	PVC Part No.	Panel		For Use With PCJ Series	
			Length	Width	A	B
PCJR0505	PCJA0505	14PVC0505	4.81	4.81	5.93	6.16
PCJR0705	PCJA0705	14PVC0705	6.75	4.88	7.94	6.16
PCJR0808	PCJA0808	14PVC0707	6.75	6.88	7.94	8.15
PCJR0907	PCJA0907	14PVC0907	8.75	6.88	9.93	8.15
PCJR1109	PCJA1109	14PVC1109	10.75	8.88	11.92	10.15
PCJR1111	PCJA1111	14PVC1111	10.75	10.88	11.92	12.16
PCJR1311	PCJA1311	14PVC1311	12.75	10.88	13.94	12.16
14R1513	14A1513	14PVC1513	14.75	12.88	15.98	13.98
P1868	A1868	14PVC1715	16.88	14.88	18.04	16.04

Inner Panels

N1J Series Enclosures



Features

- Replacement panels for N1J Series enclosures.
- Optional panels for C3R HCR SM Series enclosures.
- Made from 16 ga steel
- White powder finish

Part No.	Panel		For Use with Enclosure		
	L	W	H	W	# Folds
N1JP64	4.25	2.25	6.00	4.00	0
N1JP66	4.25	4.25	6.00	6.00	0
N1JP86	6.25	4.25	8.00	6.00	0
N1JP88	6.25	6.25	8.00	8.00	0
N1JP108	8.25	6.25	10.00	8.00	0
N1JP1010	8.25	8.25	10.00	10.00	0
N1JP1210	10.25	8.25	12.00	10.00	0
N1JP1212	10.25	10.25	12.00	12.00	0
N1JP1412	12.25	10.25	14.00	12.00	0
N1JP1612	14.25	10.25	16.00	12.00	0
N1JP2012	18.25	10.25	20.00	12.00	0

Inner Panels

N1A Series Enclosures



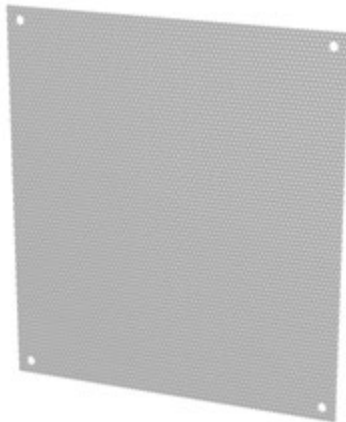
Features

- 14 gauge steel finished in white.
- Panels and mounting hardware are included with N1A Series enclosures.

Part No.	Panel		For Use with Enclosure	
	L	W	H	W
AP1612	13.00	10.50	16.00	12.00
AP1616	13.00	14.50	16.00	16.00
AP1620	13.00	18.50	16.00	20.00
AP2016	17.00	14.50	20.00	16.00
AP2020	17.00	18.50	20.00	20.00
AP2024	17.00	22.50	20.00	24.00
AP2416	21.00	14.50	24.00	16.00
AP2420	21.00	18.50	24.00	20.00
AP2424	21.00	22.50	24.00	24.00
AP3020	26.00	18.50	30.00	20.00
AP3024	26.00	22.50	30.00	24.00
AP3030	26.00	28.50	30.00	30.00
AP3624	32.00	22.50	36.00	24.00
AP3630	32.00	28.50	36.00	30.00
AP4224	38.00	22.50	42.00	24.00
AP4230	38.00	28.50	45.00	30.00
AP4236	38.00	34.50	42.00	36.00
AP4836	44.00	34.50	48.00	36.00

Perforated Inner Panels

1418, 1447, PJW, and PHW Wallmount Enclosures



Features

- For use with 1418, 1447, PJW and PHW enclosures
- Made from 16 ga steel
- Accepts self tapping screws, eliminating time-consuming measurement, marking, and drilling of component mounting holes
- 1/8" dia holes on 1/4" staggered centers
- ANSI 61 gray powder finish

Part No.	Panel		For Use with Enclosure		# Folds
	L	W	H	W	
18P1309PP	13.00	9.00	16.00	12.00	0
18P1313PP	13.00	13.00	16.00	16.00	0
18P1515PP	15.00	15.00	18.00	18.00	0
18P1713PP	17.00	13.00	20.00	16.00	0
18P1717PP	17.00	17.00	20.00	20.00	0
18P2117PP	21.00	17.00	24.00	20.00	0
18P2121PP	21.00	21.00	24.00	24.00	4
18P2721PP	27.00	21.00	30.00	24.00	4
18P2727PP	27.00	27.00	30.00	30.00	4
18P3321PP	33.00	21.00	36.00	24.00	4
18P3327PP	33.00	27.00	36.00	30.00	4
18P3333PP	33.00	33.00	36.00	36.00	4

Inner Panels

1418FS and HN4FS Series Enclosures



- Formed from 10 gauge or 12 gauge steel.
- All double door width panels are 10 gauge steel.
- Width panels are available in full or half height.
- Depth panels are available in full height only.
- Depth and width panels are provided with all mounting hardware and center support where required.
- Half panel can be mounted in the top or bottom half of the enclosure.
- Finished in white.

Depth Panels

Part No.	Encl.	Encl.	Panel	Panel
	Height	Min Depth	W	H
60FD14	60.00	18.00	14.00	48.00
72FD9	72.00	18.00	9.00	60.00
72FD14	72.00	18.00	14.00	60.00
72FD20	72.00	24.00	20.00	60.00
72FD26	72.00	36.00	26.00	60.00
90FD9	90.00	18.00	9.00	78.00
90FD14	90.00	18.00	14.00	78.00
90FD20	90.00	24.00	20.00	78.00
90FD26	90.00	36.00	26.00	78.00

Single Door Width Panels

Steel	Galv. Steel	Description	Enclosure	Panel Size
Part No.	Part No.			
60TWF	60TWF	Full Panel	60 x 24	48.00 x 20
60TWH	60TWH	Half Panel		24.87 x 20
72WF	72WF	Full Panel	72 x 24	60.00 x 20
72WH	72WH	Half Panel		30.87 x 20
90YWF	90YWF	Full Panel	90 x 24	78.00 x 20
90YWH	90YWH	Half Panel		39.87 x 20
72XF	72XF	Full Panel	72 x 30	60.00 x 26
72XH	72XH	Half Panel		30.87 x 26
60TYF	60TYF	Full Panel	60 x 36	48.00 x 32
60TYH	60TYH	Half Panel		24.87 x 32
72YF	72YF	Full Panel	72 x 36	60.00 x 32
72YH	72YH	Half Panel		30.87 x 32
90YF	90YF	Full Panel	90 x 36	78.00 x 32
90YH	90YH	Half Panel		39.87 x 32

Double Door Width Panels

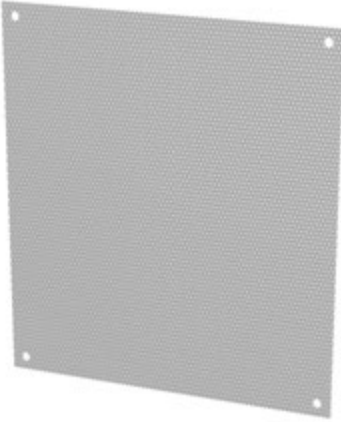
Steel	Galv. Steel	Description	Enclosure	Panel Size
Part No.	Part No.			
60AWF	60AWF	Full Panel	60 x 48	48.00 x 44
60AWH	60AWH	Half Panel		24.88 x 44
72ZWF	72ZWF	Full Panel	72 x 48	60.00 x 44
72ZWH	72ZWH	Half Panel		30.88 x 44
72ZXF	72ZXF	Full Panel	72 x 60	60.00 x 56
72ZXH	72ZXH	Half Panel		30.88 x 56
72ZYF	72ZYF	Full Panel	72 x 72	60.00 x 68
72ZYH	72ZYH	Half Panel		30.88 x 68
90BWF	90BWF	Full Panel	90 x 48	78.00 x 44
90BWH	90BWH	Half Panel		39.88 x 44
90BYF	90BYF	Full Panel	90 x 72	78.00 x 68
90BYH	90BYH	Half Panel		39.88 x 68

General Accessories

Panels and Panel Accessories

Perforated Inner Panels

N1A Series Enclosures



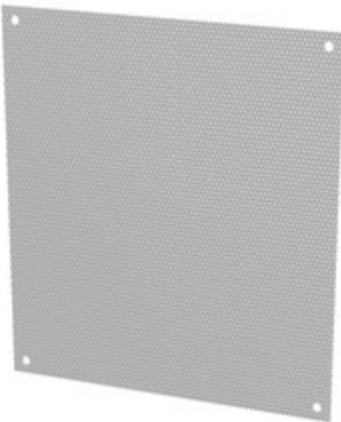
Features

- Made from 16 ga steel
- Accepts self tapping screws eliminating timely measurement, marking and drilling of component mounting holes
- 1/8" dia holes on 1/4" staggered centers
- ANSI 61 gray powder finish

Part No.	Panel		For Use with Enclosure		
	L	W	H	W	# Folds
AP1612PP	13.00	10.50	16.00	12.00	0
AP1616PP	13.00	14.50	16.00	16.00	0
AP1620PP	13.00	18.50	16.00	20.00	0
AP2016PP	17.00	14.50	20.00	16.00	0
AP2020PP	17.00	18.50	20.00	20.00	0
AP2024PP	17.00	22.50	20.00	24.00	0
AP2416PP	21.00	14.50	24.00	16.00	0
AP2420PP	21.00	18.50	24.00	20.00	0
AP2424PP	21.00	22.50	24.00	24.00	4
AP3020PP	26.00	18.50	30.00	20.00	4
AP3024PP	26.00	22.50	30.00	24.00	4
AP3030PP	26.00	28.50	30.00	30.00	4
AP3624PP	32.00	22.50	36.00	24.00	4
AP3630PP	32.00	28.50	36.00	30.00	4
AP4224PP	38.00	22.50	42.00	24.00	4

Perforated Inner Panels

N1J Series Enclosures



Features

- Made from 16 ga steel
- Accepts self tapping screws eliminating timely measurement, marking and drilling of component mounting holes
- 1/8" dia holes on 1/4" staggered centers
- ANSI 61 gray powder finish

Part No.	Panel		For Use with Enclosure		
	L	W	H	W	# Folds
N1JP66PP	4.25	4.25	6.00	6.00	0
N1JP86PP	6.25	4.25	8.00	6.00	0
N1JP88PP	6.25	6.25	8.00	8.00	0
N1JP108PP	8.25	6.25	10.00	8.00	0
N1JP1010PP	8.25	8.25	10.00	10.00	0
N1JP1210PP	10.25	8.25	12.00	10.00	0
N1JP1212PP	10.25	10.25	12.00	12.00	0
N1JP1412PP	12.25	10.25	14.00	12.00	0
N1JP1612PP	14.25	10.25	16.00	12.00	0
N1JP2012PP	18.25	10.25	20.00	12.00	0

Swing Panel Kit



Features

- Kits are used as accessory to standard Hammond panels (sold separately)
- Allows panel to be mounted in front part of enclosure
- Hinge permits access behind panel
- Sealing washers preserve approval rating of enclosure
- Panel not included.

Part No.	For Use With
SPB1	1414 Series where AxB is 8"x6" or larger (not compatible with 1414 screw cover series)
SPB1	EJ Series where AxB is 8"x6" or larger
SPB1	C3R-HCLO Series where AxB is 16x12 or smaller
SPB2	1418 Wallmount Series, HW Series
SPB2	C3R-HCLO Series where AxB is 16x16 or larger
SPB2	C3R-HCR Series where AxB is 16x12 or larger

General Accessories

Panels and Panel Accessories

Terminal Straps and Brackets

1414/EJ/PJ Series Enclosures



Features

- Used to provide convenient mounting for terminal blocks in 1414 Series enclosures and some sizes of "PJ" Series enclosures.
- Finished in white.

Bracket Assembly

- Each kit consists of two brackets.
- "C" channel construction provides easy alignment of terminal straps.

Terminal Strap

- 1.5" wide x 0.187" thick steel.
- Each strap includes spring locking hardware.
- Countersunk holes in straps provide extra terminal mounting space.

How to Order

- Each enclosure requires one bracket assembly kit and the required number of straps (Strap Part No. corresponds to enclosure dimension "A" and is mounted parallel to same, Bracket Part No. corresponds to enclosure dimension "B" and is mounted parallel to same).
- Example: For a PJ864L enclosure, order one 14B6 bracket assembly and a minimum of one 14B8 terminal strap kits. Additional terminal strap kits will provide additional mounting space.

Single Strap		Usable	Bracket (Pair)		Fits PJ				
Part No.	L	Mounting Space	Part No.	W	A	B	C	Enclosure	
14S8	6.19	4.30	14B6	6.00	5.00	4.25	1.55	PJ864... ¹	
14S10	8.19	6.30	14B8	8.00	7.00	6.25	1.55	PJ1086... ¹	
14S12	10.19	8.30	14B10	10.00	9.00	8.25	2.79	PJ12106... ¹	
14S14	12.19	10.30	14B12	12.00	11.00	10.25	2.79	PJ14126... ¹	
14S16	14.19	12.30	14B14	14.00	13.00	12.25	2.79	PJ16148... ¹	

¹ Compatible with all latch types

Terminal Straps and Brackets

1418 Series Enclosures



Features

- Used to provide convenient mounting for terminal blocks, pneumatic controls or small relays in 1418 wallmount enclosures.
- Brackets may be installed horizontally or vertically in an enclosure if the size corresponds to enclosure length or width.
- Finished in white.

Bracket Assembly

- Each kit consists of two or three brackets per assembly.
- Brackets combined with collar stud length provide 3" minimum clearance from the rear of the enclosure.
- "C" channel construction provides easy alignment of terminal straps.

Terminal Strap

- 1.5" wide x 0.187" thick steel.
- Each strap includes spring locking hardware.
- Countersunk holes in straps provide extra terminal mounting space.

How to Order

- Each enclosure requires one bracket assembly kit and the required number of straps (order separately).
- Determine if strap will be mounted parallel to dimension "A" or "B". Choose the part number that corresponds to enclosure dimensions "A" or "B".
- When choosing a bracket assembly to be parallel to dimension "B" in an enclosure of 24", 30" or 36" width, determine if a two or three bracket assembly is required. When enclosures are 48" or greater on "A" dimension, 6 collar studs are used.
- Choose strap kit to correspond to the other enclosure dimensions.
- Order the number of kits equal to the number of straps required.

Bracket Assembly

Part No.	# of Brackets	Parallel Enclosure Dim		
		L	B	Parallel Enclosure Dim
18B212	2	8.50	7.25	12
18B216	2	12.50	11.25	16
18B220	2	16.50	15.25	20
18B224	2	20.50	19.25	24
18B324	3	20.50	19.25	24
18B230	2	26.50	25.25	30
18B330	3	26.50	25.25	30
18B236	2	32.50	31.25	36
18B336	3	32.50	31.25	36

Strap

Part No.	Usable Mounting Space (L)	
	L	Space (L)
18S12	9.50	7.60
18S16	13.50	11.60
18S20	17.50	15.60
18S24	21.50	19.60
18S30	27.50	25.60
18S36	33.50	31.60
18S42	39.50	37.60
18S48	45.50	43.60
18S60	57.50	55.60
18S72	69.50	67.60

Eclipse Swing Panel



- Hinged panel allows access to internally mounted equipment.
- Can be hinged from either side.
- 12 gauge steel construction.
- Slotted quarter turn latches provide closure.
- Adding optional locking quarter turn latches (Part Number EQTRL) convert this to a dead front panel.
- Complete with 4 depth adjustment brackets.
- Hardware kit maintains UL, CSA and NEMA ratings when field installed.
- Finished in white.
- (Note: Not compatible with DSTOPK door stop kit.)

General Accessories

Part No.	Fits Enclosure Size (A x B)
ESP3020	30 x 20
ESP3024	30 x 24
ESP3030	30 x 30
ESP3624	36 x 24
ESP3630	36 x 30
ESP3636	36 x 36
ESP4236	42 X 36
ESP4824	48 X 24
ESP4836	48 X 36
ESP6030	60 X 30
ESP6036	60 X 36

Part No.	Fits Enclosure Size (A x B)
ESP1212	12 x 12
ESP1612	16 x 12
ESP1616	16 x 16
ESP1620	16 x 20
ESP2016	20 x 16
ESP2020	20 x 20
ESP2024	20 x 24
ESP2416	24 x 16
ESP2420	24 x 20
ESP2424	24 x 24

Swing Panel



- Hinged aluminum panel.
- Mounts at front of enclosure body.
- Field installed with no drilling required.

Use with PJU Series Enclosures

Part No.	Panel Dimensions	
	Height	Width
PJSPU108	9.64	7.87
PJSPU1210	11.64	9.86
PJSPU1412	13.64	11.86
PJSPU1614	15.64	13.86
PJSPU1816	17.90	15.99
PJSPU2016	19.65	15.55

Use with PJ Series Raised Lid Enclosures

Part No.	Panel Dimensions	
	Height	Width
PJSP108	9.50	7.50
PJSP1210	11.50	9.50
PJSP1212	11.50	11.37
PJSP1412	13.50	11.50
PJSP1614	15.50	13.50
PJSP1816	17.63	15.63
PJSP2016	19.25	15.25
PJSP2420	23.25	19.38
PJSP2424	23.38	23.25
PJSP3024	29.25	23.38

Panels and Panel Accessories

Swing Panel

PCJ Series Accessory



Features

- Hinged aluminum panel installed on corner sliders allowing adjustable depth setting
- Can be installed hinged either right or left swing
- Field installed with no drilling required
- Mounting Hardware Included
- Material thickness 0.09"

HFPP Kit Part No.	Enclosure Base Part No.	H	W
PCJHFPP66	PCJ664	5.44	5.61
PCJHFPP86	PCJ864	7.44	5.61
PCJHFPP88	PCJ884	7.44	7.63
PCJHFPP108	PCJ1084	9.43	7.69
PCJHFPP1210	PCJ12106	11.55	9.58
PCJHFPP1412	PCJ14126	13.10	11.25
PCJHFPP1614	PCJ16148	14.75	12.88
PCJHFPP1816	PCJ181610	16.88	14.88

Replacement Hardware

Part Number	Description
PCJCB4	Corner block set of 4 (for 14"H enclosures and smaller)
PCJCB4L	Corner block set of 4 (for 16" & 18"H enclosures)
PCJHFH	Hinge and screws set of 2

Mounting Rack Rail Swing Frame

For use with the Eclipse Enclosure Series

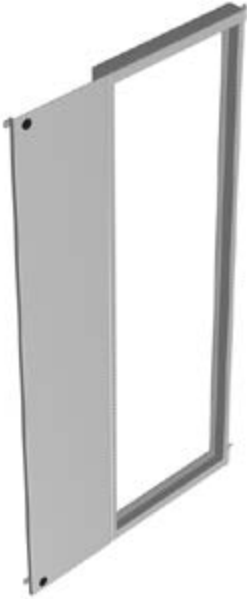


- Provides 19" rack mounting with full EIA spacing (punched holes).
- Hinges allow easy equipment access.
- Can be hinged from either side.
- Slotted quarter turn latches provide closure.
- Optional locking quarter turn latch available by ordering Part No. EQTRL
- Adding optional locking quarter turn latches provides added security.
- Complete with 4 depth adjustment brackets.
- Mounting hardware sold separately.
- Hardware kit maintains UL, CSA and NEMA ratings when field installed.
- (Note: Not compatible with DSTOPK door stop kit.)
- Finished in RAL9005 black powder paint finish.

Part No.	Fits Enclosure Size (AxB)	Rack Spacing Width	Rack Units
ESF2424	24x24	19.00	11U
ESF3024	30x24	19.00	14U
ESF3624	36x24	19.00	17U

Mounting Rack Rail Swing Frame

For use with the 1418FS and HN4FS Series



- Formed from 10 gauge steel, frames are drilled and tapped to EIA requirements for mounting standard 19" rack accessories.
- Designed for installation in 72" and 90" high enclosures. The swing frame pivots on 0.5" pins within the enclosure for easy access to the rear of rack mounted equipment.
- The frame positions at any depth within the enclosure and is fastened in the closed position with quarter turn fasteners.
- Swing frames may be mounted in 30" and 36" wide enclosures, or in 60" and 72" wide enclosures with an optional center panel support.
- One or two frames may be mounted in 30" and 36" wide enclosures with dual access, and 1,2,3 or 4 frames may be mounted in 60" and 72" wide dual access enclosures.
- Finished in black.

Part No.	A	B	C	Rack	Enclosure	Width
				Units	Height	Single Door
1418SFYY	78.50	31.80	12.14	44	90.00	36.00
1418SFY	60.50	31.80	12.14	33	72.00	36.00
1418SFX	60.50	25.82	6.14	33	72.00	30.00

General Accessories

Freestanding Enclosure Center Panel Supports

1418FS and HN4FS Series Enclosures



- Adapts panels, swing frames, and panel rails from single door enclosures so they can be used on double door enclosures.
- Suitable for single or dual access double door enclosures.
- Center panel support mounts into front to back mounting channels (top and bottom) found in two door enclosures.
- Allows a combination of two 20" panels in a 48" wide enclosure, two 26" panels in a 60" wide enclosure, or two 32" panels in a 72" wide enclosure.
- Width is adjustable from 1.91" to 2.34".
- Support may be positioned at any depth within the enclosure.
- Finished in white.

Part No.	Enclosure Ht.
1418ACS	60.00
1418ZCS	72.00
1418BCS	90.00

Panels and Panel Accessories

Eclipse Rack Panel

For use with Eclipse Enclosure Series



Features

- Provides internal 19" rack mounting with full EIA spacing (punched holes).
- Compatible with specific sizes of the Eclipse Series (EN4SD and ST versions)
- This is a 2 component system
 - Must order ERP brackets
 - Must order HLP swivel panel mounting components
- Maintains UL, CSA and NEMA ratings when field installed.
- Smooth black powder paint finish.

ERP Brackets

- Mount to internal mounting studs.
- Can be used whether an inner panel is installed or not.

HLP Panel Mounting Brackets

- Rack mounting units available in 4U (7.00"), 6U (10.50") and 8U (14.00").
- Rails pivot 180 degrees for easy equipment mounting.
- Includes starter pack of mounting hardware and panel installation hardware.

Compatible Enclosure Dimensions			ERP Brackets	HLP Swivel Rack Mount Brackets		
H	W	D	Part No.	4U Part No.	6U Part No.	8U Part No.
24.00	24.00	12.00	ERP2424	HLP4UR	n/a	n/a
24.00	24.00	16.00	ERP2424	HLP4UR	HLP6UR	n/a
24.00	24.00	20.00	ERP2424	HLP4UR	HLP6UR	HLP8UR
30.00	24.00	12.00	ERP3024	HLP4UR	n/a	n/a
30.00	24.00	16.00	ERP3024	HLP4UR	HLP6UR	n/a
30.00	24.00	20.00	ERP3024	HLP4UR	HLP6UR	HLP8UR
30.00	24.00	24.00	ERP3024	HLP4UR	HLP6UR	HLP8UR
36.00	24.00	12.00	ERP3624	HLP4UR	n/a	n/a

NEMA Enclosure Rack Rails

1418FS and HN4FS Series Enclosures



- Provides 19" or 24" mounting capability.
- Sold in pairs.
- Formed from 10 gauge steel.
- Drilled and tapped 10-32 to EIA spacing of 0.5" - 0.63" - 0.63" - 0.5".
- Compatible with 1418FS and HN4FS enclosures.
- Finished in white.

Part No.	Panel Description	Enclosure	Width	Height Panel	U	V
1418TFHP	Full Height	60 x 24	19.00	49.00	3.78	7.78
1418THHP	Half Height			26.25	3.59	7.59
1418WFHP	Full Height	72 x 24	19.00	61.25	3.66	7.66
1418WHHP	Half Height			31.50	3.97	7.67
1418XFHP	Full Height	72 x 30	24.00	61.25	3.66	7.66
1418XHHP	Half Height			31.50	3.97	7.67
1418YFHP	Full Height	90 x 24	19.00	78.75	3.91	7.91
1418YHHP	Half Height			40.25	4.09	8.09

Mild Steel and Stainless Steel Window Kits



Features

- Maintain environmental protection level of Type 4, 4X (for stainless steel) as noted
- Window is 0.25" thick, UV resistant Polycarbonate.
- Frame is heavy gauge steel, or 304 stainless steel with integral weld studs and compression clips.
- Oil resistant neoprene gasket ensures a watertight seal.
- Finished in ANSI 61 gray recoatable powder or natural brushed stainless steel.

Part No.	Material	Window Dimensions		Recommended	
		A	B	Cut-Out Size	
1481WN40503 ¹	Steel	5.00	3.00	6.69	4.69
1481WN40905 ¹	Steel	9.00	5.50	10.69	7.19
1481WN41303 ¹	Steel	13.00	3.00	14.69	4.69
1481WN41308 ¹	Steel	13.00	8.00	14.69	9.69
1481WN41705 ¹	Steel	17.00	5.50	18.69	7.19
1481WN41711 ¹	Steel	17.00	11.00	18.69	12.69
1481WN42315 ¹	Steel	23.00	15.00	24.69	16.69
1481WN42919 ¹	Steel	29.00	19.00	30.69	20.69
1481WN43523 ¹	Steel	35.00	23.00	36.69	24.69
1481WN4SS0503 ²	Stainless Steel	5.00	3.00	6.69	4.69
1481WN4SS0905 ²	Stainless Steel	9.00	5.50	10.69	7.19
1481WN4SS1308 ²	Stainless Steel	13.00	8.00	14.69	9.69
1481WN4SS1711 ²	Stainless Steel	17.00	11.00	18.69	12.69
1481WN4SS2315 ²	Stainless Steel	23.00	15.00	24.69	16.69
1481WN4SS2919 ²	Stainless Steel	29.00	19.00	30.69	20.69

¹ UL/ CSA Type 12 and Type 4

² UL/ CSA Type 12, Type 4 and Type 4x

General Accessories

Frameless Window Kits



Features

- Designed for indoor use on Type 12 and 13 enclosures.
- Scratch resistant polycarbonate window is 0.125" thick.
- Double sided tape is on the window for easy installation.
- Mounting hardware and template are included.

Part No.	Window Dimensions		Maximum	
	A	B	Cut-Out Size	
1481WFL52	5.50	3.00	4.50	2.00
1481WFL133	13.88	3.88	12.88	2.88
1481WFL96	9.62	7.19	8.62	6.19

Window Kits

Deep Hinged Window Kits



Features

- Extra deep kits are designed to provide protection and easy access to components and equipment installed inside an enclosure.
- Frame is 14 gauge mild steel or 316L stainless steel.
- Maintain environmental protection level of enclosure. Painted mild steel maintain Type 4 and 12. Stainless Steel maintain Type 4, 4X and 12.
- Quarter turn latch for easy access.
- 2.5 inches of extra usable depth
- Oil resistant neoprene gasket ensures a watertight seal.
- Hinges can be oriented in any direction.
- Window is 0.25" thick, UV Resistant Polycarbonate.
- Conveniently sized to allow mounting on the door of any Hammond Wallmount Series enclosure, or in any other Hammond enclosure with a suitable mounting surface.
- Mounting hardware and template are included.
- Finished in ANSI 61 gray recoatable powder or natural brushed stainless steel.

Painted Steel Part No.	316 Stainless Steel Part No.	Overall Dimensions		Viewing Area		Latch Qty	Maximum	
		H	W	H	W		Cut-Out Size	
1481WDH1418 ¹	1481WSSDH1418 ²	12.19	14.56	8.00	9.17	1.00	9.19	11.56
1481WDH1612 ¹	1481WSSDH1612 ²	14.19	8.14	10.00	2.75	1.00	11.19	5.14
1481WDH1620 ¹	1481WSSDH1620 ²	14.19	16.14	10.00	10.75	1.00	11.19	13.14
1481WDH1624 ¹	1481WSSDH1624 ²	14.19	20.14	10.00	14.75	1.00	11.19	17.14
1481WDH2016 ¹	1481WSSDH2016 ²	18.19	12.14	14.00	6.75	1.00	15.19	9.14
1481WDH2024 ¹	1481WSSDH2024 ²	18.19	20.14	14.00	14.75	1.00	15.19	17.14
1481WDH2416 ¹	1481WSSDH2416 ²	22.19	12.14	18.00	6.75	1.00	19.19	9.14
1481WDH2420 ¹	1481WSSDH2420 ²	22.19	16.14	18.00	10.75	1.00	19.19	13.14
1481WDH2430 ¹	1481WSSDH2430 ²	22.19	26.14	18.00	20.75	1.00	19.19	23.14
1481WDH3024 ¹	1481WSSDH3024 ²	28.19	20.14	24.00	14.75	2.00	25.19	17.14
1481WDH3624 ¹	1481WSSDH3624 ²	34.19	20.14	30.00	14.75	2.00	31.19	17.14

¹ UL/ CSA Type 12 and Type 4

² UL/ CSA Type 12, Type 4 and Type 4x

HMI Cover Prop Arm

PJHMI Series



Features

- Stainless steel construction.
- When HMI Cover mounted with hinge along top edge, prop arm unfolds to provide hands-free support.
- Mounts on right or left side of HMI Cover.
- Easily field installable.
- Choose appropriate Prop Arm for the size of HMI Cover used (PJHMI Series.)

Part No.	Fits Window Kit
PJHMIPROP88	PJHMI88...
PJHMIPROP108	PJHMI108...
PJHMIPROP1210	PJHMI1210...
PJHMIPROP1412	PJHMI1412...
PJHMIPROP1614	PJHMI1614
PJHMIPROP2016	PJHMI2016

Technical references and CAD downloads available at www.hammondmfg.com

All dimensions in inches unless specified otherwise

Quality Products. Service Excellence.

Polycarbonate HMI Hinged Cover Kits

Features



- Provides protection for instruments or electronics requiring routine attention or detail.
- Available in light gray solid opaque or polycarbonate thermoplastic clear covers.
- Cover Latching Options - hinged screw cover, tamper proof screw cover, and snap latch with pad lock feature.
- Listed UL component for use with enclosures rated Types 1, 3, 3R, 4, 4X, 12 or 13.
- CSA listed Type 1, 3, 3R, 4, 4X, 12 or 13.
- 316 stainless steel hinge pin.
- UV stabilized for outdoor use.
- Formed-In-Place (FIP) polyurethane gasket in continuous channel.
- Designed for use with wall thicknesses from 16 gauge through 1/4"
- #10-32 threaded brass inserts with plated steel mounting fasteners.
- Service temperature -31°F (-35°C) to 266°F (130°C)

Accessories

- HMI Cover Prop Arm...*See Page 309*

General Accessories

Window Kits

Clear Cover	Opaque Cover	Optional Prop Arm	Closure Style	Frame Size Dimensions			Viewing Area	
				H	W	D	H	W
PJHMI66CCH	PJHMI66H	PJHMIPROP66	Screw Cover	6.50	6.72	2.27	4.47	4.69
PJHMI66CCHTP	PJHMI66HTP	PJHMIPROP66	Tamper proof Screw Cover	6.50	6.72	2.27	4.47	4.69
PJHMI66CCL	PJHMI66L	PJHMIPROP66	Snap Latch Cover	6.50	6.72	2.27	4.47	4.69
PJHMI86CCH	PJHMI86H	PJHMIPROP86	Screw Cover	8.50	6.72	2.27	6.47	4.69
PJHMI86CCHTP	PJHMI86HTP	PJHMIPROP86	Tamper proof Screw Cover	8.50	6.72	2.27	6.47	4.69
PJHMI86CCL	PJHMI86L	PJHMIPROP86	Snap Latch Cover	8.50	6.72	2.27	6.47	4.69
PJHMI88CCH	PJHMI88H	PJHMIPROP88	Screw Cover	7.93	8.15	2.27	6.47	6.69
PJHMI88CCHTP	PJHMI88HTP	PJHMIPROP88	Tamper proof Screw Cover	7.93	8.15	2.27	6.47	6.69
PJHMI88CCL	PJHMI88L	PJHMIPROP88	Snap Latch Cover	7.93	8.15	2.27	6.47	6.69
PJHMI108CCH	PJHMI108H	PJHMIPROP108	Screw Cover	9.93	8.15	2.27	8.47	6.69
PJHMI108CCHTP	PJHMI108HTP	PJHMIPROP108	Tamper proof Screw Cover	9.93	8.15	2.27	8.47	6.69
PJHMI108CCL	PJHMI108L	PJHMIPROP108	Snap Latch Cover	9.93	8.15	2.27	8.47	6.69
PJHMI1210CCH	PJHMI1210H	PJHMIPROP1210	Screw Cover	11.93	10.15	2.27	10.47	8.69
PJHMI1210CCHTP	PJHMI1210HTP	PJHMIPROP1210	Tamper proof Screw Cover	11.93	10.15	2.27	10.47	8.69
PJHMI1210CCL	PJHMI1210L	PJHMIPROP1210	Snap Latch Cover	11.93	10.15	2.27	10.47	8.69
PJHMI1412CCH	PJHMI1412H	PJHMIPROP1412	Screw Cover	13.95	12.07	2.20	12.49	10.71
PJHMI1412CCHTP	PJHMI1412HTP	PJHMIPROP1412	Tamper proof Screw Cover	13.95	12.07	2.20	12.49	10.71
PJHMI1412CCL	PJHMI1412L	PJHMIPROP1412	Snap Latch Cover	13.95	12.07	2.20	12.49	10.71
PJHMI1614CCH	PJHMI1614H	PJHMIPROP1614	Screw Cover	16.01	14.23	2.27	14.49	12.71
PJHMI1614CCHTP	PJHMI1614HTP	PJHMIPROP1614	Tamper proof Screw Cover	16.01	14.23	2.27	14.49	12.71
PJHMI1614CCL	PJHMI1614L	PJHMIPROP1614	Snap Latch Cover	16.01	14.23	2.27	14.49	12.71
PJHMI2016CCH	PJHMI2016H	PJHMIPROP2016	Screw Cover	20.50	16.72	2.27	18.49	14.71
PJHMI2016CCHTP	PJHMI2016HTP	PJHMIPROP2016	Tamper proof Screw Cover	20.50	16.72	2.27	18.49	14.71
PJHMI2016CCL	PJHMI2016L	PJHMIPROP2016	Snap Latch Cover	20.50	16.72	2.27	18.49	14.71

Polycarbonate Inspection Window Kit



Features

- Clear polycarbonate thermoplastic.
- Provides visibility and easy viewing access to equipment and components installed in an enclosure.
- Recognized UL component for use with enclosures rated Types 1, 3, 3R, 4, 4X, 12 or 13.
- CSA listed Type 1, 3, 3R, 4, 4X, 12 or 13
- UV stabilized for outdoor use.
- Formed-In-Place (FIP) polyurethane gasket in continuous channel.
- Designed for use with wall thicknesses from 16 gauge through 1/4"
- #10-32 threaded brass inserts with plated steel mounting fasteners
- Service temperature -31°F (-35°C) to 266°F (130°C)

Part No.	Overall Dimensions			Viewing Area	
	A	B	C	D	E
PJHMI66CX	6.50	6.50	0.60	5.64	5.64
PJHMI95CX	10.00	7.25	0.60	9.14	6.39
PJHMI138CX	14.70	9.70	0.60	13.84	8.84

Deep Hinged HMI Cover Kits



Features

- Extra deep kits are designed to provide protection and easy access to components and equipment installed inside an enclosure.
- Frame is 14 gauge mild steel or 316L stainless steel.
- Maintain environmental protection level of enclosure. Painted mild steel maintain Type 4 and 12. Stainless Steel maintain Type 4, 4X and 12.
- Quarter turn latch for easy access.
- 2.5 inches of extra usable depth
- Oil resistant neoprene gasket ensures a watertight seal.
- Hinges can be oriented in any direction.
- Conveniently sized to allow mounting on any enclosure with a suitable mounting surface.
- Mounting hardware and template are included.
- Finished in ANSI 61 gray recoatable powder or natural brushed stainless steel.

Painted Steel	316 Stainless Steel	Overall Dimensions		Latch	Maximum	
Part No.	Part No.	H	W	Qty	Cut-Out Size	
1481SDH1418	1481SSDH1418	12.19	14.56	1.00	9.19	11.56
1481SDH1612	1481SSDH1612	14.19	8.14	1.00	11.19	5.14
1481SDH1620	1481SSDH1620	14.19	16.14	1.00	11.19	13.14
1481SDH1624	1481SSDH1624	14.19	20.14	1.00	11.19	17.14
1481SDH2016	1481SSDH2016	18.19	12.14	1.00	15.19	9.14
1481SDH2024	1481SSDH2024	18.19	20.14	1.00	15.19	17.14
1481SDH2416	1481SSDH2416	22.19	12.14	1.00	19.19	9.14
1481SDH2420	1481SSDH2420	22.19	16.14	1.00	19.19	13.14
1481SDH2430	1481SSDH2430	22.19	26.14	1.00	19.19	23.14
1481SDH3024	1481SSDH3024	28.19	20.14	2.00	25.19	17.14
1481SDH3624	1481SSDH3624	34.19	20.14	2.00	31.19	17.14

Fluorescent Light Kit & Accessories

Features

- Light kits are offered in 18", 24" and 48" widths.
- CSA and UL component recognized.
- Operating voltage 115 AC 60Hz
- 115V AC, features a manually operated switch, 115V convenience outlet, durable plastic lens, and 6 foot power cord (without plug).
- Can mount into light mounting channel, bolt through enclosure or by using magnet strip (available separately - see chart below.)
- 1¾" high x 4½" deep.
- Finished in white.
- Use standard 18", 24" or 48" T8 fluorescent bulb (not included)
- Magnet mount
 - Can be used with mild steel enclosures only.



Accessories

- Remote Door Switches...See Page **313**

Part No.	Description	Magnetic Mount Kit	Replacement Lens Kit
		Part No.	Part No.
FLK18T8¹	18" Fluorescent Light Kit 115V	FLK18MM	FLK18LENSE
FLK24T8¹	24" Fluorescent Light Kit 115V	FLK18MM	FLK24LENSE
FLK48T8¹	48" Fluorescent Light Kit 115V	FLK48MM	FLK48LENSE

¹ T8 fluorescent bulb not included

General Accessories Lighting

LED Light Kit

Features

- Available in 9", 17.5", 26", 34.5", and 38.5" lengths
- Operating voltage 120V AC5 (50/60Hz). Operating temperature -20C to +50C (-4F to +122F)
- Provides 175 lumens per LED module
- Long lamp life of 60,000 hours in warm white color temperature
- No remote power supplies as unit comes with its own integral LED drivers
- Hardwired via multiple knockouts in lightweight extruded aluminum frame, finished white with manual operated switch
- Hinged glass diffuser allows easy access to replaceable LED module
- Certified by ETL to UL and CSA Luminaires standards



Accessories

- Remote Door Switches...See Page **313**

Part Number	Description	Number LED Modules	Lumens	Energy Use
FLK5LED	9" LED Light Kit	1	175	4.4 w
FLK7LED	17.5" LED Light Kit	2	350	7.2 w
FLK10LED	26" LED Light Kit	3	525	9.8 w
FLK15LED	34.5" LED Light Kit	4	700	15.0 w
FLK17LED	38.5" LED Light Kit	5	875	17.0 w

Compact LED Light Kit

Our compact LED light kit provides efficient lighting solution for most enclosure applications without taking up valuable interior space. Available in magnet or screw mounting and AC or DC power options.



Features

- Housing constructed in transparent plastic.
- Screw or magnet mounting.
- Available with rocker switch or motion sensor.
- Easily connect up to ten (10) light kits together in a daisy chain using LEDXXCORDCON cords.
- Connection: 2-pole plug with snap lock; AC: max. 2.5 A / AC 240 V, white connector; DC: max. 2.5 A / DC 60 V, blue connector.
- Requires hard-wired connection using LEDXXCORDPOWR power cord with leads and plug or power brick (not included).

Specifications

- LED provide 400 Lm at 120° (1,200 Lm at 360° or equivalent 95W light bulb).
- LED temperature 6,000 to 7,000 K.
- Operating / Storage temperature: -22 to +140 °F (-30 to +60 °C) / -40 to +185 °F (-40 to +85 °C).
- Operating / Storage humidity: max. 90 %RH (non-condensing).
- Service life: 60,000 hrs. at 68 °F (20 °C).
- Max. 5 W power consumption (~ 75 W incandescent bulb)
- Protection class / Protection type: II (double insulated) / IP20

Note that the cord on this product is intended to be hard-wired. There are currently no standard plug types for this product.

LED Light Kits

Part No.	Voltage	On/Off	Mount
LEDACSWMAG	90-260V AC	Switch	Magnet
LEDACMSMAG	90-260V AC	Sensor	Magnet
LEDACSWSCR	90-260V AC	Switch	Screw
LEDACMSSCR	90-260V AC	Sensor	Screw
LEDDCSWMAG	20-60V DC	Switch	Magnet
LEDDCMSMAG	20-60V DC	Sensor	Magnet
LEDDCSWSCR	20-60V DC	Switch	Screw
LEDDCMSSCR	20-60V DC	Sensor	Screw

Remote Door Switches



Features

- Permits convenient door activated on-off function of air conditioners.
- Can be wired normally open or normally closed.
- 115/230 V AC

Part No.	For use with
FLKDS	1418, 1422, 1447, 2UD, UHD, HN4, HWST
FDS1	Eclipse, HME

DIN Mount Receptacle



Features

- 125V/15A max. receptacle
- Mounts to 35mm DIN rail (not included)
- 3.6"H x 2.4"W x 1.9"D
- CE, UL/cUL component recognized

Part No.	SSD03504001
----------	-------------

Door Support Guide



Features

- Designed for use when heavy loads or uneven mounting surfaces changes door alignment.
- Field installable kit.
- Can be used on Hammond Eclipse and 1418 Series wall mount enclosures, all freestanding and floor mount enclosures - both painted and stainless steel
- Kit includes all necessary hardware and installation instructions Sealing washers included maintain enclosure integrity

Part No.	DSG1
-----------------	------

General Accessories
Miscellaneous

Gland Plates



Features

- 14 gauge mild steel gland plate allows for easy cable entry into enclosure
- Maintains NEMA 12, 4 rating
- Hardware and cutout template included

Finish

- Available in ANSI 61 Gray and RAL 7035 Light Gray

Part No.	Finish	Overall Dimensions		Fits Opening	
		H	W	H	W
GP063LG	RAL 7035 Light Gray	6.31	2.75	5.06	1.50
GP134LG	RAL 7035 Light Gray	13.00	3.56	11.75	2.31
GP136LG	RAL 7035 Light Gray	13.38	5.88	12.13	4.63
GP216LG	RAL 7035 Light Gray	20.88	5.88	19.63	4.63
GP063GY	ANSI 61 Gray	6.31	2.75	5.06	1.50
GP134GY	ANSI 61 Gray	13.00	3.56	11.75	2.31
GP136GY	ANSI 61 Gray	13.38	5.88	12.13	4.63
GP216GY	ANSI 61 Gray	20.88	5.88	19.63	4.63

Gland Plates



Features

- 14 gauge steel gland plate allows for easy cable entry into enclosure
- Maintains NEMA 12, 4 rating, Stainless plates hold type 4X rating
- Hardware and cutout template included
- Modified sizes are available:
 - 16 gauge mild or stainless 76" x 18"
 - 14 gauge mild or stainless 76" x 25"
 - 12 and 10 gauge mild or stainless 76" x 40"
 - 0.081 aluminum 76" x 18"
 - 0.100 aluminum 76" x 25"

Finish

- Available in ANSI 61 Gray and RAL 7035 Light Gray
- Stainless Plates are 316 with a number 4 brush finish

Part No.	Finish	Overall Dimensions		Fits Opening	
		H	W	H	W
GP1507LG	RAL 7035 Light Gray	15.00	7.50	12.00	4.50
GP2207LG	RAL 7035 Light Gray	22.00	7.50	19.00	4.50
GP1507GY	ANSI 61 Gray	15.00	7.50	12.00	4.50
GP2207GY	ANSI 61 Gray	22.00	7.50	19.00	4.50
GP1507S16	316 STAINLESS	15.00	7.50	12.00	4.50
GP2207S16	316 STAINLESS	22.00	7.50	19.00	4.50

Liquid-Tight Cordgrips (Nylon)

IP68, UL Listed. PG & Metric



Features

- 14 gauge steel gland plate allows for easy cable entry into enclosure
- Maintains NEMA 12, 4 rating, Stainless plates hold type 4X rating
- Hardware and cutout template included
- Modified sizes are available:
 - 16 gauge mild or stainless 76" x 18"
 - 14 gauge mild or stainless 76" x 25"
 - 12 and 10 gauge mild or stainless 76" x 40"
 - 0.081 aluminum 76" x 18"
 - 0.100 aluminum 76" x 25"

Finish

- Available in ANSI 61 Gray and RAL 7035 Light Gray
- Stainless Plates are 316 with a number 4 brush finish

PG Threads (Standard Length)

Part Number (Grey)	Part Number (Black)	Material	Thread Size (D)	Wire Diameter		Outer Length (L)	Inner Thread Length (T)
				Min	Max		
1427NCGPG7G	1427NCGPG7B	Nylon	PG7	3	7	21	8
1427NCGPG9G	1427NCGPG9B	Nylon	PG9	4	8	22	8
1427NCGPG11G	1427NCGPG11B	Nylon	PG11	5	10	25	8
1427NCGPG13G	1427NCGPG13B	Nylon	PG13.5	6	12	27	9
1427NCGPG16G	1427NCGPG16B	Nylon	PG16	10	14	28	10
1427NCGPG19G	1427NCGPG19B	Nylon	PG19	12	15	30	12
1427NCGPG21G	1427NCGPG21B	Nylon	PG21	13	18	31	11
1427NCGPG29G	1427NCGPG29B	Nylon	PG29	18	25	37	11
1427NCGPG36G	1427NCGPG36B	Nylon	PG36	22	32	48	13
1427NCGPG42G	1427NCGPG42B	Nylon	PG42	32	38	49	13
1427NCGPG48G	1427NCGPG48B	Nylon	PG48	37	44	49	14

Note: Table dimensions in mm.

Technical references and CAD downloads available at www.hammondmfg.com

All dimensions in inches unless specified otherwise

Quality Products. Service Excellence.

Liquid-Tight Cord Grips (Nickel Plated Brass)

IP68, UL Listed. PG & Metric



Features

- Liquid-tight cord grip made from nickel plated brass
- Used where cable is entering or leaving an enclosure.
- Accepts a wide range of cable diameters due to large opening and NBR (nitrile rubber) seal.
- The strain relief elements tighten in a circular sequence on the sealing ring to give outstanding strain relief without twisting or damaging the cable.
- Use the cord grip with the smallest maximum diameter that will fit your application.
- Locknut and EPDM O-ring included.
- Protection to IP68. Designed to meet NEMA Type 4, 4X, 6, 6P, 12 & 13.
- UL listed.

PG Threads

Part Number	Material	Thread Size (D)	Wire Diameter		Outer Length (L)	Inner Thread Length (T)
			Min	Max		
1427BCGPG7	Nickel Plated Brass	PG7	3	4	19	5
1427BCGPG9	Nickel Plated Brass	PG9	4	8	21	6
1427BCGPG11	Nickel Plated Brass	PG11	5	10	22	6
1427BCGPG13	Nickel Plated Brass	PG13	6	12	23	7
1427BCGPG16	Nickel Plated Brass	PG16	10	14	24	7
1427BCGPG21	Nickel Plated Brass	PG21	13	18	24	7
1427BCGPG29	Nickel Plated Brass	PG29	18	25	31	8
1427BCGPG36	Nickel Plated Brass	PG36	22	32	37	8
1427BCGPG42	Nickel Plated Brass	PG42	32	38	37	9
1427BCGPG48	Nickel Plated Brass	PG48	37	44	38	10

Note: Table dimensions in mm.

General Accessories

Liquid-Tight, Strain Relief Cordgrips



Features

- Black nylon, liquid-tight cord grip.
- Used where cable is entering or leaving an enclosure.
- Accepts a wide range of cable diameters due to large opening and highly flexible strain relief elements, together with a TPE sealing ring.
- The strain relief elements tighten in a circular sequence on the sealing ring to give outstanding strain relief without twisting or damaging the cable.
- Use the cord grip with the smallest maximum diameter that will fit your application (see table below).
- Nylon locknut included (as shown).
- Designed to meet NEMA Type 4, 4X, 6, 6P, 12 & 13 - Protection to IP68.
- UL94-V2 flammability rating.
- UL, CSA & VDE listed.
- For a wider selection of cord grips, try our updated product lines:
 - 1427NCG - nylon cord grips
 - 1427BCG - brass cord grips

Part No.	Use With Wire Diameter		Mounting Hole
	Min	Max	Diameter
1427CG7	0.10	0.26	0.49
1427CG9	0.14	0.32	0.60
1427CG13	0.24	0.47	0.80
1427CG16	0.35	0.55	0.89
1427CG21	0.51	0.71	1.11

Technical references and CAD downloads available at www.hammondmfg.com

All dimensions in inches unless specified otherwise

Miscellaneous

Stack Lights



- Modular design for all indoor and outdoor applications.
- Provides warning signals and displays machine status.
- High level of protection against electric shock with IP 54 rating.
- Separate components for easy ordering to suit every installation application.

Base and Tubes

Part No.	Description	L1	L2
PBR50BC	Base & End Module	-	-
PBR50S100	Tubular Stand/Plinth	3.46	-
PBR50S250	Tubular Stand/Plinth	9.37	-
PBR50T100	Threaded tubular stand/bracket	-	3.07
PBR50T250	Threaded tubular stand/bracket	-	8.98
PBR50T400	Threaded tubular stand/bracket	-	14.13

Modules

Part No.	Description
PBR50CLCL	Continuous beam module, transparent
PBR50CLYE	Continuous beam module, yellow
PBR50CLAM	Continuous beam module, amber
PBR50CLRE	Continuous beam module, red
PBR50CLGR	Continuous beam module, green
PBR50CLBL	Continuous beam module, blue
PBR50BLYE24V	Blinking module, yellow
PBR50BLRE24V	Blinking module, red
PBR50BLGR24V	Blinking module, green

Gaskets, Bulbs and Accessories

Part No.	Description
PBR50MG	Replacement gasket for light module & base module
PBR50TG	Replacement gasket for mounting tube with plinth
PBR50BG	Replacement gasket for direct mounting IP 65
PBR50LED24	LED light bulb 24V/BA 15d
PBR50LED115	LED light bulb 115V/BA 15d
PBR50L24	Light bulb 24V DC/BA 15d 7W
PBR50L115	Light bulb 115V CD/BA 15d 7W
PBR50LS	Bulb Remover/Installer

Modular Data	Continuous Beam	Blinking Light
Modular Colors	Yellow, Red, Green, Amber, Blue, Transparent	Yellow, Red, Green
Modular Stages	Max. 5	Max. 5)
Angle of Beam	360 degrees	360 degrees
Percentage Duty Cycle	1	1
Rated Power, max.	7W	7W
Rated Power with 5 stages	5W	5W
Lamp Socket	BA 15d	BA 15d
Service life of light bulb/tube	approx. 1500h	approx. 1500h
AC Voltage Rating	230 V, 50/60 Hz, -15% to + 10%	230 V, 50/60 Hz, -15% to +10%
Current Capacity Rating	0.035 A	0.08 A
DC Voltage Rating	24 V, -15% to +20%	24 V, -15% to +20%
Current Capacity Rating	0.3 A	0.25 A

Flange Disconnect Operator Adaptor Kits

Features

- Used to adapt flange mounted operating mechanisms to all Hammond enclosures with universal cutouts.
- Kits include an adaptor plate and all of the required parts (with instructions) to interlock the master door with the operator mechanism.
- Blank plates are used to cover the flange cutouts in Hammond universal type disconnect enclosures.



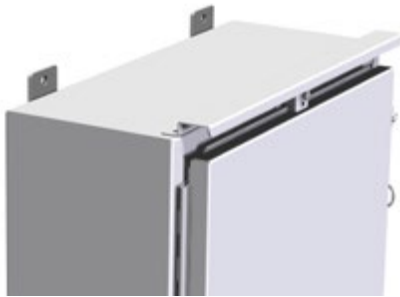
Part No.	Operator Make & Type	Manufacturer Part No.
AK1494FD	Allen Bradley	1494F and D
BPAK	Blank plate	

Part No.	Operator Make & Type	Manufacturer Part No.	
AKU	ABB Controls - operating handle		
	Disconnect Switch	DSFHN-HS12	
	Circuit Breaker	K7FHD-HS12	
	Allen Bradley - 1494V variable depth operating handle		
	Disconnect Switch		
	30 to 200	1494V H1	for 2UD, UHD, UHDM
	400 to 600	1494V H2	for UHD
	400	1494V H2	for UHDM
	Circuit Breaker	1494V H11	
	Cutler Hammer - operating handle		
	Disconnect Switch	C361H1 or H3	
	Circuit Breaker		
	150 A	C371H1 or H3	
	250 to 600 A	C371H5 or H7	for 2UD
	250 to 1200 A	C371H5 or H7	for UHD, UHDM
	Circuit Breaker	C371 Flex-Shaft™ handle mechanism	
	General Electric - operating handle		
	Disconnect Switch	STDA1 or STDA2	
	Circuit Breaker	STDA1 or STDA2	
	Circuit Breaker Spectra-Flex™ cable operators		
	150 to 600 A	STDA1	
	SK1200 A	STDA3	
	Siemens I.T.E. Max-Flex™ - operating handle		
	Disconnect Switch variable depth	FHOHS	
	Circuit Breaker		
	125 to 600 A	FHOH	
	800 to 2000 A	FHOHN	
	Square D - class 9422 operating mechanism		
	Disconnect Switch variable depth	9422 type A1	
	Circuit Breaker variable depth	9422 type A1	
	Disconnect Switch with cable mechanism	9422 type A1	
	Circuit Breaker with cable mechanism	9422 type A1	

General Accessories

Miscellaneous

Drip Shield Kit



Features

- Easily installed on Type 12, 4 and 4X wall-mount enclosures using stainless steel bolts and sealing washers (included).
- Designed not to interfere with door clamps.
- Protects door from dripping water and settling dust.
- Constructed in 14 gauge mild steel (painted) or 316 stainless steel.
- Maintains enclosure rating.

Part Numbers			
Painted Steel (Gray)	Painted Steel (Lt. Gray)	Type 316 Stainless Steel	Fits Enclosure Width (inches)
DK12GY	DK12LG	DK12S16	12.00
DK16GY	DK16LG	DK16S16	16.00
DK20GY	DK20LG	DK20S16	20.00
DK24GY	DK24LG	DK24S16	24.00
DK30GY	DK30LG	DK30S16	30.00
DK36GY	DK36LG	DK36S16	36.00
DK42GY	DK42LG	DK42S16	42.00
DK48GY	DK48LG	DK48S16	48.00
DK60GY	DK60LG	DK60S16	60.00
DK72GY	-	DK72S16	72.00

Pedestal and Base



Features

- Used for floor mounting for many types of enclosures, consolets or pushbutton boxes
- Provides wiring feature through the column.
- Meets NEMA Type 12 and 13 requirements.
- Finished in ANSI 61 gray.

Pedestal Column

- Columns are formed from 14 gauge steel with 10 gauge flanges.
- Column access opening with gasketed cover.
- Columns include flange gaskets and a box connector.

Pedestal Base

- Bases are formed from 10 gauge steel with additional reinforcing.
- Bases include leveling screws.

Part No.	Description	H	W	D
1495C35	Pedestal Column	36.00	4.00	4.00
1495D35	Pedestal Column	36.00	6.00	6.00
1495XK	Pedestal Base	1.13	18.00	18.00
1495XN	Pedestal Base	1.13	24.00	24.00

Floor Stand Kit



Features

- Kit includes two mounting feet and hardware kit.
- Pre-punched mounting feet may be used as a template to drill holes on bottom of enclosure.
- Finished in gray or natural brushed stainless steel.

Steel Part No.	Stainless Steel Part No.	Foot Height	Enclosure Depth	Dimensions (each)		
				A	B	C
1481FA8K		6.00	8.00	6.00	6.00	8.00
1481FA10K		6.00	10.00	6.00	8.00	10.00
1481FA12K		6.00	12.00	6.00	8.00	12.00
1481FA16K		6.00	16.00	6.00	10.00	16.00
1481FA18K		6.00	18.00	6.00	8.00	18.00
1481FA20K		6.00	20.00	6.00	10.00	20.00
1481FC6K		12.00	6.00	12.00	5.00	6.00
1481FC8K	1481FC8KSS	12.00	8.00	12.00	6.00	8.00
1481FC10K	1481FC10KSS	12.00	10.00	12.00	8.00	10.00
1481FC12K	1481FC12KSS	12.00	12.00	12.00	8.00	12.00
1481FC16K	1481FC16KSS	12.00	16.00	12.00	10.00	16.00
1481FC18K	1481FC18KSS	12.00	18.00	12.00	10.00	18.00
1481FC20K	1481FC20KSS	12.00	20.00	12.00	10.00	20.00
1481FC24K	1481FC24KSS	12.00	24.00	12.00	10.00	24.00
1481FE6K		15.00	6.00	15.00	5.00	6.00
1481FE8K		15.00	8.00	15.00	6.00	8.00
1481FE10K		15.00	10.00	15.00	8.00	10.00
1481FE12K		15.00	12.00	15.00	8.00	12.00
1481FE16K		15.00	16.00	15.00	10.00	16.00
1481FE18K		15.00	18.00	15.00	10.00	18.00
1481FE24K		15.00	24.00	15.00	10.00	24.00
1481FG6K		18.00	6.00	18.00	5.00	6.00
1481FG8K		18.00	8.00	18.00	8.00	8.00
1481FG10K		18.00	10.00	18.00	8.00	10.00
1481FG12K		18.00	12.00	18.00	8.00	12.00
1481FG16K		18.00	16.00	18.00	10.00	16.00
1481FK6K		24.00	6.00	24.00	5.00	6.00
1481FK8K		24.00	8.00	24.00	8.00	8.00
1481FK10K	1481FK10KSS	24.00	10.00	24.00	8.00	10.00
1481FK12K	1481FK12KSS	24.00	12.00	24.00	10.00	12.00
1481FK16K		24.00	16.00	24.00	12.00	16.00

General Accessories

Miscellaneous

Door Stop Kit



Features

- Provides for door opening in fixed position as required.
- Prevents door swing that can occur in field maintenance situations.
- Minimum enclosure width of 20" for single door and 48" for two-door is required
- This door stop kit maintains NEMA 4x, 4, 3R and 12 ratings when installed correctly using the hardware and directions provided.
- (Note: Not compatible with Eclipse swing panel/frame accessories.)

Part No.	DSTOPK - Door Stop Kit
Part No.	DSTOPKHD - Heavy Duty Door Stop Kit

Touch-Up Spray Paint



- Touch-up paint is ideal for dealing with minor paint chips or blemishes sometimes caused by shipping or while installing equipment. When accidents happen, our touch-up paint is formulated to match the powder coat finish from the factory.

Features

- Indoor/outdoor.
- Fast-drying.
- Premium high-end finish.
- Available in 300g (10.5 oz) spray cans.
- Manufactured in North America.
- PROP65 WARNING: This product can expose you to chemicals, including Toluene, Methanol, Carbon Black which is known to the State of California to cause cancer. For more information, go to: www.P65Warnings.ca.gov. Not Compliant with California Air Resources Board (Carb) Regulations.

Part No.	Finish	RAL/ANSI	Compatibility
1413BKLGS	Low Gloss Black	RAL9005	BK, BK1
1413BKGS	Gloss Black	RAL9005	BK2
1413CGRALS	Beige	RAL7032	CG1, CG2
1413LRS	Gray	ANSI 61	GY1, GY2
1413NS	White	n/a	
1413LGS	Gray	RAL7035	LG, LG1, LG2
1413WH9003	White	RAL9003	WH, WH1

Literature Pocket



Features

- For use as additional or replacement literature and document pockets.
- Kit includes pocket, high strength two-sided adhesive tape and surface preparation swab.
- Plastic pocket is black.
- Packaged individually.

Part No.	H	W	D
PKT66	6.00	6.00	0.75
PKT99	6.00	9.00	0.75
PKT1212S	12.00	12.00	1.25
PKT1212	12.00	12.00	2.50

Enclosure Stabilizers



Features

- Prevents floor mounted enclosures from falling over while being worked on before they are bolted to the floor.
- Install by slipping under enclosure mounting foot and tightening two thumb screws.
- 8" x 30" overall dimensions
- Sold in pairs
- Finished in gray.

Part No.	1481ES
-----------------	--------

Rack and Cabinet Caster Set

Up to 1,050 lbs (475 kg) Weight Capacity



Features

- Ball bearing, swivel wheels.
- Includes mounting hardware.
- Plated zinc finish.

General Accessories

Miscellaneous

Part No.	Strength	Style/ Material	Wheel Diameter	Overall Height Added to Cabinet	Hole Mounting Pattern		Caster Set Weight Capacity	Qty Included In Set	Qty with Brakes Included
					Width	Depth			
1425BLSOFT	Light Duty	Soft Thermoplastic	2.95	3.50	1.75	3.00	660 lbs (299 kg)	4	4
1425BM	Medium Duty	Hard Composition	3.00	3.81	1.75	3.00	700 lbs (318 kg)	4	0
1425BH	Heavy Duty	Hard Composition	3.00	3.81	1.75	3.00	1,050 lbs (476 kg)	4	0
1425BHLOCK	Heavy Duty	Hard Composition	3.00	3.81	1.75	3.00	1,050 lbs (476 kg)	4	4

Panel Lifting Handles



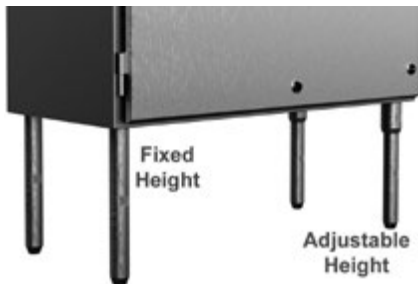
Features

- Used for lifting, transporting, and installing panel assemblies in enclosures that are positioned horizontally.

Part No.	1481H
-----------------	-------

Wash Down Floor Stand Kit

Waterfall Series Accessory



Features

- Attach to bottom enclosure for floor mounting applications
- Permits easy access for cleaning beneath enclosure
- Adds 12" height to enclosure
- Adjustable model has 1" of adjustment – ideal as a leveling foot
- 316L stainless steel construction
- Sold in pairs

Part No.	Description
AKIT316ST	Adjustable Height Floor Stand (pair)
FKIT316ST12	12" Fixed Floor Stand (pair)

Gasket Kits



NEMA 12 Enclosures

- Self-adhesive, black, cellular neoprene gasket for NEMA 12 enclosures.
- Supplied in 10 foot rolls, 0.19" x 0.75".

NEMA 4, 4X Enclosures

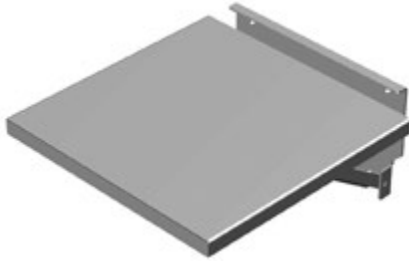
- Self-adhesive, black, neoprene blend gasket for NEMA 4, 4X enclosures.
- Supplied in 10 foot rolls, 0.25" x 0.75".

NEMA 4, 4X Enclosures - Extreme Temperature

- Self-adhesive, black, silicone foam gasket for NEMA 4, 4X enclosures.
- Temperature range -67° to +392°F (-55° to +200°C)
- Designed for use on the following Hammond Series: EJ, HJ, 1414, Eclipse, 1418 and HW
- Original gasket must be properly removed and replaced with the silicone strip gasket according to instructions provided.
- Supplied in 10 foot rolls, 0.25" x 0.75".

Part No.	Material	For NEMA Type
1481DJ10	Neoprene	12
1481DJN410	Neoprene/EPDM/SBR	4, 4X
1481DJSIL10	Silicone	4, 4X

Fold Down Shelf



Features

- Supports various equipment used temporarily to service/program switchgear inside enclosures.
- Mounts with bolts through doors or sides.
- Supports up to 100 lbs weight capacity.

Part No.	Finish	Work Surface	
		W	D
FDS1212GY	ANSI 61 Gray	12.00	12.00
FDS1818GY	ANSI 61 Gray	18.00	18.00
FDS2424GY	ANSI 61 Gray	24.00	24.00
FDS1212LG	RAL 7035 Light Gray	12.00	12.00
FDS1818LG	RAL 7035 Light Gray	18.00	18.00
FDS2424LG	RAL 7035 Light Gray	24.00	24.00
FDS1212S16	316 Stainless Steel	12.00	12.00
FDS1818S16	316 Stainless Steel	18.00	18.00
FDS2424S16	316 Stainless Steel	24.00	24.00

General Accessories Miscellaneous

Pole Mounting Kit

PJ/PJU - Non Metallic Series



Features

- Eight sizes cover PJU & PJ up to 30x24
- Adjustable steel band allows mounting on pole diameters up to 15"
- Adaptable pole mounting on round, square, and rectangular shapes
- Minimal assembly with fewer parts for installation
- Corrosion protection for long outdoor life

Pole Mount Kit Part Number	Use with PJ Series (including all variations)	Use with PJU Series (including all variations)	Use with PCJ Series (including all variations)
PJPOLEMNT6	PJ - 664, 864	PJU - 664, 864	PCJ - 664, 864
PJPOLEMNT8	PJ - 1084, 1086	PJU - 1084, 1086	PCJ - 884, 1082, 1084, 1086
PJPOLEMNT10	PJ - 12106	PJU - 12106	PCJ - 12106, 12126
PJPOLEMNT12	PJ - 1214, 12126, 14126	PJU - 14126	PCJ - 14126
PJPOLEMNT14	PJ - 16148	PJU - 16148	PCJ - 16148
PJPOLEMNT16	PJ - 18168, 20168 PJHD - 181610	PJU - 181610, 201610	PCJ - 181610
PJPOLEMNT20	PJ - 242010	-	-
PJPOLEMNT24	PJ - 242410, 302410	-	-
PJPOLEMNT30	PJEC - 363012 PJW - 363014, 483610, 483614, 603610, 603614	-	-

Pole Mounting Kit

Junction and Wallmount Style - Steel



Features

- Designed to mount outdoor rated enclosures - Hammond 1414N4, Eclipse, Eclipse Junior, HWHK, 1418N4 and EN4DH Series
- Individual components allow user to choose mounting configuration and/or components to purchase
 - Note: Eclipse Series enclosures require use of external Eclipse Mounting Foot Kit (sold separately)
- This pole mount kit is a 2 or 3 part system.

Choose Vertical Channel:

- Vertical channel can be lagged directly to pole or attached using optional stainless steel straps
- Vertical channel prevents enclosure from twisting. Can be used on pole diameters from 4" and up

Choose Horizontal Channel:

- Horizontal steel channels (sold in pairs) come with all hardware needed to secure the enclosure

Choose Straps (Optional):

- Stainless steel straps sold separately in quantities of 4
 - PMSTRAP40 straps are rated for 450 lbs each and can be used for pole diameters up to 10"
 - PMSTRAP55 straps are rated for 250 lbs each and can be used for pole diameters up to 15"

Vertical Channel

Part No.	Description	Use with Hammond Series			
		1414N4	Eclipse Junior (EJ)	1418N4/HWHK	Eclipse (EN4SD)
PMV1216GY	Qty 1 - Vertical Steel Channel	12"-16" encl height	12"-16" encl height	12"-16" encl height	12"-16" encl height
PMV2024GY	Qty 1 - Vertical Steel Channel	-	-	20"-24" encl height	20"-24" encl height
PMV3036GY	Qty 1 - Vertical Steel Channel	-	-	30"-36" encl height	30"-36" encl height
PMV4248GY	Qty 1 - Vertical Steel Channel	-	-	42"-48" encl height	42"-48" encl height

Horizontal Channel

Part No.	Description	Use with Hammond Series			
		1414N4	Eclipse Junior (EJ)	1418N4/HWHK	Eclipse (EN4SD)
PMH15GY	Qty 2 - Horizontal Steel Channel	12"-16" encl width	12"-16" encl width	12"-20" encl width	12"-16" encl width
PMH25GY	Qty 2 - Horizontal Steel Channel	-	-	24"-30" encl width	20"-24" encl width
PMH35GY	Qty 2 - Horizontal Steel Channel	-	-	36" encl width	30"-36" encl width

Stainless Steel Straps

Part No.	Description
PMSTRAP40	Qty 4 - 0.50" x 39" length 316 stainless strap, supports up to 450 lbs, pole diameters up to 10"
PMSTRAP55	Qty 4 - 0.31" x 55" length 316 stainless strap, supports up to 250 lbs, pole diameters up to 15"

Top Hat Cable Modules



Features

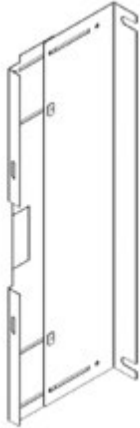
- Provides for cable management and slack storage space
- Pre-drilled for simple assembly onto top of freestanding enclosures
- Easily removable front panels
- Sturdy 12 gauge construction
- Constructed to Type 4, 12 and 3R protection levels
- Painted ANSI 61 gray

Part #				Gauge	Cover Plate Openings		Cutout Opening	
	A	B	C		D	E	F	G
HTH124818	12.00	48.06	18.06	12	8.50	20.53	14.06	39.06
HTH124820	12.00	48.06	20.06	12	8.50	20.53	16.06	39.06
HTH124824	12.00	48.06	24.06	12	8.50	20.53	20.06	39.06
HTH126018	12.00	60.06	18.06	12	8.50	26.53	14.06	51.06
HTH126020	12.00	60.06	20.06	12	8.50	26.53	16.06	51.06
HTH126024	12.00	60.06	24.06	12	8.50	26.53	20.06	51.06
HTH126036	12.00	60.06	36.06	12	8.50	26.53	32.06	51.06
HTH127218	12.00	72.06	18.06	12	8.50	32.53	14.06	63.06
HTH127220	12.00	72.06	20.06	12	8.50	32.53	16.06	63.06
HTH127224	12.00	72.06	24.06	12	8.50	32.53	20.06	63.06
HTH127236	12.00	72.06	36.06	12	8.50	32.53	32.06	63.06

General Accessories

Miscellaneous

Barrier Kits for Type 4 Wallmount



Features

- Barrier kits are designed to provide 2 vertical sections within 2 door, Type 4 enclosures.
- For use with HN4WM Series.
- For application example, can provide separation between power and control sections within one cabinet.
- Does NOT provide complete physical separation as there is space above and below the barrier to run wiring.
- Depth mounted - bolted to the inner panel at rear and the center post at front.
- Panels are steel and painted white.
- Mounting hardware included.

Part No.	Description
BKWM2408	For use with 24H x 8D
BKWM3010	For use with 30H x 10D
BKWM3612	For use with 36H x 12D
BKWM4212	For use with 42H x 12D
BKWM4812	For use with 48H x 12D

Barrier Kits for Type 4 Floormount



Features

- Barrier kits are designed to provide 2 vertical sections within 2 door, Type 4 enclosures.
- For use with HN4FM Series, 1422N4 Series and 2STFSD Series
- For application example, can provide separation between power and control sections within one cabinet.
- Does NOT provide complete physical separation as there is space above and below the barrier to run wiring.
- Depth mounted - bolted to the inner panel at rear and the center post at front.
- Certain sizes are depth adjustable
- Panels are steel and painted white.
- Mounting hardware included.

Part No.	Description
BKFM6012	For use with 60H x 10/12D
BKFM6018	For use with 60H x 18D
BKFM7218	For use with 72H x 12/18D
BKFM7224	For use with 72H x 24D

Corrosion Inhibitors



Cortec VpCI-101
Impregnated Foam Device



Cortec VpCI-105
Plastic Emitter



Cortec VpCI-170 Impregnated
Foam Tape



Cortec VpCI-111
Plastic Emitter

Emitter Devices

- Emitters are designed to protect electrical and electronic components within non-ventilated enclosures.
- These products emit a vapor into the interior of the enclosure which deposits on the metal surfaces forming a protective molecular layer. This layer provides multi-metal protection and helps reduce corrosion in the enclosure.

HVPCI-101 Pads

- Patented VpCI impregnated foam affixed via self adhesive backing.
- Provides protection for 1 cubic foot of enclosed space
- Sold in carton of 50 pads
- Full technical details available on separate data sheet

HVPCI-105 Cups

- Cup with one way Tyveck release membrane affixed via self adhesive.
- Provides protection for 5 cubic feet of enclosed space.
- Sold in carton of 20 cups
- Full technical details available on separate data sheet

HVPCI-111 Cups

- Cup with one way Tyveck release membrane affixed via self adhesive.
- Provides protection for 11 cubic feet of enclosed space.
- Sold in carton of 10 cups
- Full technical details available on separate data sheet

HVPCI-150 Tape

- VpCI impregnated foam tape affixed via self adhesive backing.
- Each linear inch of tape provides protection for 0.4 cubic foot of enclosed space
- Sold in carton of 6 x 12 foot rolls
- Full technical details available on separate data sheet

HVPCI-170 Tape

- VpCI impregnated foam tape affixed via self adhesive backing.
- Each linear inch of tape provides protection for 1 cubic foot of enclosed space
- Sold in carton of 1 x 20 foot roll
- Full technical details available on separate data sheet

Spray

- Instant corrosion/oxidation protection without CFC's.
- Displaces moisture and is anti-static.
- Up to 2 year indoor protection.
- Sold in carton of 6 cans.
- Full technical details available on separate data sheet

Part No.	Description
HVPCI-101	Pad 3.0"x1.25"x0.25" - Package of 50
HVPCI-105	Cup 2.25" Dia x 0.75" - Package of 20
HVPCI-111	Cup 2.25" Dia x 1.27" - Package of 10
HVPCI-150	Tape 12' roll x 0.75" x 0.25" - Package of 6 rolls
HVPCI-170	Tape 20' roll x 2.0" x 0.25" - Single Roll
HVPCI-238	Spray - Package of 6 cans

Part Number Index

Part Number Index

Part No.	Page	Part No.	Page	Part No.	Page	Part No.	Page
1413BKLGS	321	1414N4SSE	45	1418CR6	23	1418N4ALC6	75
1413BKSS	321	1414N4SSG	45	1418CR8	23	1418N4ALE10	75
1413CCGRALS	321	1414N4SSI	45	1418D10	23	1418N4ALE6	75
1413LGS	321	1414N4SSK	45	1418D6	23	1418N4ALJ8	75
1413LRS	321	1414N4SSM6	45	1418D8	23	1418N4ALK12	75
1413NS	321	1414N4SSO6	45	1418E10	23	1418N4ALK8	75
1413WH9003	321	1414O10	5	1418E12	23	1418N4ALM12	75
1414A	5	1414O6	5	1418E16	23	1418N4ALM8	75
1414A4	5	1414PHA	8	1418E6	23	1418N4ALS8	75
1414C	5	1414PHA4	8	1418E8	23	1418N4ALT12	75
1414C4	5	1414PHC	8	1418ER6	23	1418N4AR6	25
1414E	5	1414PHC4	8	1418ER8	23	1418N4B6	25
1414G	5	1414PHE	8	1418F10	23	1418N4B8	25
1414I	5	1414PHG	8	1418F6	23	1418N4C10	25
1414K	5	1414PHG6	8	1418F8	23	1418N4C6	25
1414M6	5	1414PHH4	8	1418FG6	23	1418N4C8	25
1414M8	5	1414PHI	8	1418G6	23	1418N4CR6	25
1414N4	6	1414PHI6	8	1418G8	23	1418N4D6	25
1414N4ALA	70	1414PHJ6	8	1418H6	23	1418N4D8	25
1414N4ALC	70	1414PHK	8	1418H8	23	1418N4E10	25
1414N4ALE	70	1414PHK8	8	1418J10	23	1418N4E12	25
1414N4ALG	70	1414PHKC4	8	1418J12	23	1418N4E6	25
1414N4ALI	70	1414PHL6	8	1418J16	23	1418N4E8	25
1414N4ALK	70	1414PHM6	8	1418J6	23	1418N4ER8	25
1414N4ALM6	70	1414PHM8	8	1418J8	23	1418N4F6	25
1414N4ALM8	70	1414PHMH6	8	1418JB7	13	1418N4F8	25
1414N4ALO10	70	1414PHN6	8	1418JC7	13	1418N4G6	25
1414N4ALO6	70	1414PHO10	8	1418JC9	13	1418N4H6	25
1414N4C	6	1414PHO6	8	1418JD7	13	1418N4J6	25
1414N4E	6	1414PHO8	8	1418JD9	13	1418N4J8	25
1414N4G	6	1414PHRG	8	1418JE7	13	1418N4K10	25
1414N4I	6	1414PHRI	8	1418JE9	13	1418N4K12	25
1414N4K	6	1414PHRK	8	1418JF7	13	1418N4K16	25
1414N4M6	6	1414PHRM6	8	1418JF9	13	1418N4K6	25
1414N4M8	6	1414PHRO6	8	1418JJ11	13	1418N4K8	25
1414N4O10	6	1414SCA	11	1418JJ7	13	1418N4KK8	25
1414N4O6	6	1414SCC	11	1418JJ9	13	1418N4KR8	25
1414N4PHA	9	1414SCE	11	1418JK13	13	1418N4L12	25
1414N4PHC	9	1414SCG	11	1418JK7	13	1418N4L6	25
1414N4PHE	9	1414SCI	11	1418JK9	13	1418N4L8	25
1414N4PHG	9	1414SCK	11	1418JL11	13	1418N4M10	25
1414N4PHI	9	1414SCM6	11	1418JL7	13	1418N4M12	25
1414N4PHI6	9	1414SCM8	11	1418JL9	13	1418N4M16	25
1414N4PHK	9	1414SCO10	11	1418JM13	13	1418N4M8	25
1414N4PHL6	9	1414SCO6	11	1418JM9	13	1418N4O8	25
1414N4PHM6	9	1416E	242	1418JO9	13	1418N4P12	25
1414N4PHM8	9	1416G	242	1418JP9	13	1418N4P8	25
1414N4PHO10	9	1416I	242	1418JS11	13	1418N4R10	25
1414N4PHO6	9	1416K	242	1418K10	23	1418N4S10	25
1414N4PHS16C4	44	1416M	242	1418K12	23	1418N4S12	25
1414N4PHS16E	44	1416O	242	1418K16	23	1418N4S16	25
1414N4PHS16G	44	1416Q	242	1418K20	23	1418N4S16B6	51
1414N4PHS16G4	44	1416T	242	1418K24	23	1418N4S16B8	51
1414N4PHS16I	44	1418A6	23	1418K6	23	1418N4S16C10	51
1414N4PHS16K	44	1418A8	23	1418K8	23	1418N4S16C6	51
1414N4PHS16K6	44	1418ACS	306	1418KA8	23	1418N4S16C8	51
1414N4PHS16L6	44	1418AR10	23	1418KG8	23	1418N4S16CR6	51
1414N4PHS16M6	44	1418AR6	23	1418KK12	23	1418N4S16D6	51
1414N4PHS16M8	44	1418AR8	23	1418KK8	23	1418N4S16D8	51
1414N4PHS16O10	44	1418AW18	38	1418KR8	23	1418N4S16E10	51
1414N4PHS16O6	44	1418B10	23	1418L10	23	1418N4S16E6	51
1414N4PHSSC4	44	1418B6	23	1418L12	23	1418N4S16E8	51
1414N4PHSSSE	44	1418B8	23	1418L6	23	1418N4S16ER8	51
1414N4PHSSG	44	1418BCS	306	1418L8	23	1418N4S16F8	51
1414N4PHSSG4	44	1418BW20	38	1418LL12	23	1418N4S16G6	51
1414N4PHSSI	44	1418BY20	38	1418LL8	23	1418N4S16H8	51
1414N4PHSSK	44	1418BY24	38	1418M10	23	1418N4S16J12	51
1414N4PHSSK6	44	1418BY36	38	1418M12	23	1418N4S16J6	51
1414N4PHSSL6	44	1418BYD24	38	1418M16	23	1418N4S16J8	51
1414N4PHSSM6	44	1418C10	23	1418M20	23	1418N4S16K10	51
1414N4PHSSM8	44	1418C12	23	1418M6	23	1418N4S16K12	51
1414N4PHSSO10	44	1418C6	23	1418M8	23	1418N4S16K16	51
1414N4PHSSO6	44	1418C8	23	1418MR8	23	1418N4S16K8	51
1414N4SSA	45	1418CA6	23	1418N4ALB6	75	1418N4S16KK8	51
1414N4SSC4	45	1418CA8	23	1418N4ALC10	75	1418N4S16KR8	51

 Technical references and CAD downloads available at www.hammondmfg.com

All dimensions in inches unless specified otherwise

Part Number Index

Part No.	Page	Part No.	Page	Part No.	Page	Part No.	Page
1418N4S16L10	51	1418N4Y24QT	36	1420B7	221	1422N4B10FQT	31
1418N4S16L8	51	1418N8	23	1420C7	221	1422N4D12F	30
1418N4S16LL12	51	1418O10	23	1420D7	221	1422N4D12FQQT	31
1418N4S16M10	51	1418O12	23	1420E7	221	1422N4E12F	30
1418N4S16M12	51	1418O8	23	1420E9	221	1422N4E12FQQT	31
1418N4S16M16	51	1418P10	23	1420EM9	221	1422N4F12F	30
1418N4S16M8	51	1418P12	23	1420F7	221	1422N4F12FQQT	31
1418N4S16O10	51	1418P16	23	1420G12	221	1422N4F24F	30
1418N4S16P8	51	1418P8	23	1420G16	221	1422N4F24FQQT	31
1418N4S16S10	51	1418Q8	23	1420G7	221	1422N4S16B12F	59
1418N4S16S12	51	1418QR	283	1420G9	221	1422N4S16B12FQQT	60
1418N4S16S16	51	1418R10	23	1420H7	221	1422N4S16D12F	59
1418N4S16S8	51	1418R8	23	1420H9	221	1422N4S16D12FQQT	60
1418N4S16T12	51	1418S10	23	1420P12	221	1422N4S16E12F	59
1418N4S16T16	51	1418S12	23	1420P16	221	1422N4S16E12FQQT	60
1418N4S16W18	62	1418S16	23	1420P9	221	1422N4S16F12F	59
1418N4S16W18QQT	65	1418S20	23	1420Q9	221	1422N4S16F12FQQT	60
1418N4S16X24	62	1418S8	23	1420R12	221	1422N4S16F24F	59
1418N4S16X24QQT	65	1418SFX	306	1420S12	221	1422N4S16F24FQQT	60
1418N4S16Y24	62	1418SFY	306	1420T12	221	1422N4SSB12F	59
1418N4S16Y24QQT	65	1418SFYY	306	1421CNBF100	140	1422N4SSB12FQQT	60
1418N4S8	25	1418T10	23	1421HPM625	292	1422N4SSD12F	59
1418N4SSB6	51	1418T12	23	1421N4AA50	285	1422N4SSD12FQQT	60
1418N4SSB8	51	1418T16	23	1421N4AB50	285	1422N4SSE12F	59
1418N4SSC10	51	1418T20	23	1421N4BA50	285	1422N4SSE12FQQT	60
1418N4SSC6	51	1418T8	23	1421N4BB50	285	1422N4SSF12F	59
1418N4SSC8	51	1418TFHP	307	1421N4CA50	285	1422N4SSF12FQQT	60
1418N4SSCR6	51	1418THHP	307	1421N4CB50	285	1422N4SSF24F	59
1418N4SSD6	51	1418TW18	34	1422A8	29	1422N4SSF24FQQT	60
1418N4SSD8	51	1418TY24	34	1422A8F	29	1422P10	26
1418N4SSE10	51	1418U12	23	1422B10	29	1422P8	26
1418N4SSE6	51	1418U16	23	1422B10F	29	1422PW8	26
1418N4SSE8	51	1418U20	23	1422B12	29	1422R10	26
1418N4SSER8	51	1418U24	23	1422B12F	29	1422RW10	26
1418N4SSF8	51	1418V12	23	1422B16	29	1422RX10	26
1418N4SSG6	51	1418W18	34	1422B16F	29	1422UV12	26
1418N4SSH8	51	1418W24	34	1422B20	29	1422UW12	26
1418N4SSJ12	51	1418W30	34	1422B20F	29	1422UX12	26
1418N4SSJ6	51	1418W36	34	1422B24	29	1422VV12	26
1418N4SSJ8	51	1418WD24	34	1422B24F	29	1422VW12	26
1418N4SSK10	51	1418WD30	34	1422B8	29	1422VX12	26
1418N4SSK12	51	1418WD36	34	1422B8F	29	1422WW12	26
1418N4SSK16	51	1418WFHP	307	1422D10	29	1425BH	322
1418N4SSK8	51	1418WHHP	307	1422D10F	29	1425BHLOCK	322
1418N4SSKK8	51	1418X18	34	1422D12	29	1425BLSOFT	322
1418N4SSKR8	51	1418X24	34	1422D12F	29	1425BM	322
1418N4SSL10	51	1418XD24	34	1422D16	29	1427B	283
1418N4SSL8	51	1418XFHP	307	1422D16F	29	1427B1BK	283
1418N4SSLL12	51	1418XHHP	307	1422D24	29	1427B2	283
1418N4SSM10	51	1418Y18	34	1422D24F	29	1427B2BK	283
1418N4SSM12	51	1418Y24	34	1422E10	29	1427B2BK-1	283
1418N4SSM16	51	1418Y30	34	1422E10F	29	1427BCGPG11	316
1418N4SSM8	51	1418Y36	34	1422E12	29	1427BCGPG13	316
1418N4SSO10	51	1418YD24	34	1422E12F	29	1427BCGPG16	316
1418N4SSP8	51	1418YD36	34	1422E16	29	1427BCGPG21	316
1418N4SSS10	51	1418YW20	34	1422E16F	29	1427BCGPG29	316
1418N4SSS12	51	1418YY20	34	1422E20	29	1427BCGPG36	316
1418N4SSS16	51	1418YY24	34	1422E20F	29	1427BCGPG42	316
1418N4SSS8	51	1418YY36	34	1422E24	29	1427BCGPG48	316
1418N4SST12	51	1418YYD24	34	1422E24F	29	1427BCGPG7	316
1418N4SST16	51	1418YYD36	34	1422F10	29	1427BCGPG9	316
1418N4SSW18	62	1418YYFHP	307	1422F10F	29	1427C1	283
1418N4SSW18QQT	65	1418YYHHP	307	1422F12	29	1427C1BK	283
1418N4SSX24	62	1418ZCS	306	1422F12F	29	1427CG13	316
1418N4SSX24QQT	65	1418ZW18	38	1422F16	29	1427CG16	316
1418N4SSY24	62	1418ZW24	38	1422F16F	29	1427CG21	316
1418N4SSY24QQT	65	1418ZWD24	38	1422F20	29	1427CG7	316
1418N4T10	25	1418ZX18	38	1422F20F	29	1427CG9	316
1418N4T16	25	1418ZX24	38	1422F24	29	1427D	283
1418N4T8	25	1418ZX36	38	1422F24F	29	1427E	283
1418N4W18	35	1418ZXD24	38	1422MD3	40	1427E1BK	283
1418N4W18QQT	36	1418ZXD36	38	1422MD320	40	1427E1BK-1	283
1418N4X24	35	1418ZY18	38	1422MD4	40	1427G	283
1418N4X24QQT	36	1418ZY24	38	1422MD420	40	1427G2	283
1418N4Y24	35	1418ZYD24	38	1422N4B10F	30	1427G2BK	283

Part Number Index

Part Number Index

Part Number Index

Part No.	Page	Part No.	Page	Part No.	Page	Part No.	Page
1427G3	283	1435MS16H	177	1437X	174	1481C14	282
1427G3BK	283	1435MS16K	177	1438A	12	1481DJ10	323
1427H	283	1435MS16O	177	1438B	12	1481DJN410	323
1427L	283	1435MSSA	177	1438C	12	1481DJSIL10	323
1427L1BK	283	1435MSSB	177	1438D	12	1481ES	322
1427LKN1	284	1435MSSC	177	1438F	12	1481FA10K	320
1427M	283	1435MSSD	177	1438H	12	1481FA12K	320
1427M1BK	283	1435MSSH	177	1438K	12	1481FA16K	320
1427M3	283	1435MSSK	177	1438O	12	1481FA18K	320
1427N	283	1435MSSO	177	1438S	12	1481FA20K	320
1427N1BK	283	1435O	173	1438V	12	1481FA8K	320
1427N2	283	1435S	173	1447SA10HK	107	1481FC10K	320
1427N2BK	283	1435S16A	177	1447SA8HK	107	1481FC10KSS	320
1427N3	283	1435S16B	177	1447SB10HK	107	1481FC12K	320
1427NCGPG11B	315	1435S16C	177	1447SB8HK	107	1481FC12KSS	320
1427NCGPG11G	315	1435S16D	177	1447SC10HK	107	1481FC16K	320
1427NCGPG13B	315	1435S16H	177	1447SC8HK	107	1481FC16KSS	320
1427NCGPG13G	315	1435S16K	177	1447SD10HK	107	1481FC18K	320
1427NCGPG16B	315	1435S16O	177	1447SD8HK	107	1481FC18KSS	320
1427NCGPG16G	315	1435SSA	177	1447SE10HK	107	1481FC20K	320
1427NCGPG19B	315	1435SSB	177	1447SE12HK	107	1481FC20KSS	320
1427NCGPG19G	315	1435SSC	177	1447SE8HK	107	1481FC24K	320
1427NCGPG21B	315	1435SSD	177	1447SF10HK	107	1481FC24KSS	320
1427NCGPG21G	315	1435SSH	177	1447SF8HK	107	1481FC6K	320
1427NCGPG29B	315	1435SSK	177	1447SG10HK	107	1481FC8K	320
1427NCGPG29G	315	1435SSO	177	1447SG12HK	107	1481FC8KSS	320
1427NCGPG36B	315	1436A	12	1447SG16HK	107	1481FE10K	320
1427NCGPG36G	315	1436B	12	1447SG8HK	107	1481FE12K	320
1427NCGPG42B	315	1436C	12	1447SH10HK	107	1481FE16K	320
1427NCGPG42G	315	1436D	12	1447SH12HK	107	1481FE18K	320
1427NCGPG48B	315	1436F	12	1447SH16HK	107	1481FE24K	320
1427NCGPG48G	315	1436H	12	1447SH8HK	107	1481FE6K	320
1427NCGPG7B	315	1436K	12	1447SJ10HK	107	1481FE8K	320
1427NCGPG7G	315	1436O	12	1447SJ12HK	107	1481FG10K	320
1427NCGPG9B	315	1436S	12	1447SJ16HK	107	1481FG12K	320
1427NCGPG9G	315	1436V	12	1447SJ8HK	107	1481FG16K	320
1427P	283	1437A	174	1447SK10HK	107	1481FG6K	320
1427P1BK	283	1437B	174	1447SK12HK	107	1481FG8K	320
1427P1BK-1	283	1437C	174	1447SK16HK	107	1481FK10K	320
1427Q	283	1437D	174	1447SK8HK	107	1481FK10KSS	320
1427S	283	1437F	174	1447SL10HK	107	1481FK12K	320
1427S2	283	1437H	174	1447SL12HK	107	1481FK12KSS	320
1427S2BK	283	1437K	174	1447SL16HK	107	1481FK16K	320
1427S3	283	1437MA	174	1447SL8HK	107	1481FK6K	320
1427S3BK	283	1437MB	174	1447SN4B8	109	1481FK8K	320
1427T	283	1437MC	174	1447SN4C8	109	1481H	323
1427T2	283	1437MD	174	1447SN4E8	109	1481HC18	282
1427T3	283	1437MF	174	1447SN4F8	109	1481L3R1110GY	274
1427T3BK	283	1437MH	174	1447SN4G8	109	1481L3R1510GY	274
1427U3	283	1437MK	174	1447SN4H12	109	1481L3R55GY	274
1427U3BK	283	1437MO	174	1447SN4J12	109	1481L3R55SS	274
1427W	283	1437MS	174	1447SN4K12	109	1481L3R56GY	274
1427W2	283	1437MS16A	178	1447SN4L12	109	1481L3R56SS	274
1427W3	283	1437MS16B	178	1447SN4SSB8	111	1481L3R610GY	274
1427W3BK	283	1437MS16C	178	1447SN4SSC8	111	1481L3R66GY	274
1435A	173	1437MS16D	178	1447SN4SSE8	111	1481L3R66SS	274
1435B	173	1437MSSA	178	1447SN4SSF8	111	1481L3R68GY	274
1435C	173	1437MSSB	178	1447SN4SSG8	111	1481L3R810GY	274
1435D	173	1437MSSC	178	1447SN4SSH12	111	1481L3R88GY	274
1435F	173	1437MSSD	178	1447SN4SSJ12	111	1481L44	274
1435H	173	1437MV	174	1447SN4SSK12	111	1481L66	274
1435K	173	1437MX	174	1447SN4SSL12	111	1481L88	274
1435MA	173	1437O	174	1447SQ10HK	107	1481SDH1418	311
1435MB	173	1437S	174	1471C24	163	1481SDH1612	311
1435MC	173	1437S16A	178	1471C36	163	1481SDH1620	311
1435MD	173	1437S16B	178	1472-24	164	1481SDH1624	311
1435MF	173	1437S16C	178	1472-24T	164	1481SDH2016	311
1435MH	173	1437S16D	178	1472-24W	164	1481SDH2024	311
1435MK	173	1437S16S	178	1472-36	164	1481SDH2416	311
1435MO	173	1437SSA	178	1472-36T	164	1481SDH2420	311
1435MS	173	1437SSB	178	1472-36W	164	1481SDH2430	311
1435MS16A	177	1437SSC	178	1472-48	164	1481SDH3024	311
1435MS16B	177	1437SSD	178	1472-48T	164	1481SDH3624	311
1435MS16C	177	1437SSS	178	1472-48W	164	1481SSDH1418	311
1435MS16D	177	1437V	174	1475Q	275	1481SSDH1612	311

 Technical references and CAD downloads available at www.hammondmfg.com

All dimensions in inches unless specified otherwise

Part Number Index

Part No.	Page	Part No.	Page	Part No.	Page	Part No.	Page
1481SSDH1620	311	1485BV1	186	1485DY	186	1486C18	206
1481SSDH1624	311	1485BV2	186	1485DZ12	186	1486C18SS	207
1481SSDH2016	311	1485BW1	186	1485DZC12	186	1486C24	206
1481SSDH2024	311	1485BW2	186	1485E12	185	1486C24SS	207
1481SSDH2416	311	1485BX	186	1485E120	185	1486C30	206
1481SSDH2420	311	1485BY	186	1485E24	185	1486C30SS	207
1481SSDH2430	311	1485BZ12	186	1485E36	185	1486C36	206
1481SSDH3024	311	1485BZC12	186	1485E48	185	1486C36SS	207
1481SSDH3624	311	1485C12	185	1485E4N	186	1486C48	206
1481WDH1418	309	1485C120	185	1485E4P	186	1486C48SS	207
1481WDH1612	309	1485C24	185	1485E4Q	186	1486C60	206
1481WDH1620	309	1485C36	185	1485E6	185	1486C60SS	207
1481WDH1624	309	1485C48	185	1485E60	185	1486C72	206
1481WDH2016	309	1485C4N	186	1485E9N	186	1486C72SS	207
1481WDH2024	309	1485C4P	186	1485E9P	186	1486D12	206
1481WDH2416	309	1485C4Q	186	1485E9Q	186	1486D12SS	207
1481WDH2420	309	1485C6	185	1485EFF	186	1486D18	206
1481WDH2430	309	1485C60	185	1485EH	186	1486D18SS	207
1481WDH3024	309	1485C9N	186	1485EJ	186	1486D24	206
1481WDH3624	309	1485C9P	186	1485EK	186	1486D24SS	207
1481WFL133	308	1485C9Q	186	1485EL1	186	1486D30	206
1481WFL52	308	1485CFF	186	1485EL2	186	1486D30SS	207
1481WFL96	308	1485CHF	186	1485ERE	186	1486D36	206
1481WN40503	308	1485CJ	186	1485ES9	186	1486D36SS	207
1481WN40905	308	1485CK	186	1485ESM	186	1486D48	206
1481WN41303	308	1485CL1	186	1485ETN	186	1486D48SS	207
1481WN41308	308	1485CL2	186	1485ETQ	186	1486D60	206
1481WN41705	308	1485CM1	186	1485EV1	186	1486D60SS	207
1481WN41711	308	1485CM2	186	1485EV2	186	1486D72	206
1481WN42315	308	1485CM3	186	1485EW1	186	1486D72SS	207
1481WN42919	308	1485CRE	186	1485EW2	186	1486E12	206
1481WN43523	308	1485CS9	186	1485EX	186	1486E12SS	207
1481WN4SS0503	308	1485CSM	186	1485EY	186	1486E24	206
1481WN4SS0905	308	1485CTN	186	1485EZ12	186	1486E24SS	207
1481WN4SS1308	308	1485CTQ	186	1485EZC12	186	1486E36	206
1481WN4SS1711	308	1485CV1	186	1485F12	185	1486E36SS	207
1481WN4SS2315	308	1485CV2	186	1485F120	185	1486E48	206
1481WN4SS2919	308	1485CW1	186	1485F24	185	1486E48SS	207
1481WSSDH1418	309	1485CW2	186	1485F36	185	1486E60	206
1481WSSDH1612	309	1485CX	186	1485F48	185	1486E60SS	207
1481WSSDH1620	309	1485CY	186	1485F4N	186	1486G24	206
1481WSSDH1624	309	1485CZ12	186	1485F6	185	1486G24SS	207
1481WSSDH2016	309	1485CZC12	186	1485F60	185	1486G36	206
1481WSSDH2024	309	1485D12	185	1485F9N	186	1486G36SS	207
1481WSSDH2416	309	1485D120	185	1485F9P	186	1486G48	206
1481WSSDH2420	309	1485D24	185	1485F9Q	186	1486G48SS	207
1481WSSDH2430	309	1485D36	185	1485FH	186	1486G60	206
1481WSSDH3024	309	1485D48	185	1485FK	186	1486G60SS	207
1481WSSDH3624	309	1485D4N	186	1485FREC	186	1487B12	190
1485B12	185	1485D4P	186	1485FRED	186	1487B120	190
1485B120	185	1485D4Q	186	1485FS9	186	1487B24	190
1485B24	185	1485D6	185	1485FSM	186	1487B2P	190
1485B36	185	1485D60	185	1485FTN	186	1487B36	190
1485B48	185	1485D9N	186	1485FW1	186	1487B48	190
1485B4N	186	1485D9P	186	1485FW2	186	1487B4P	190
1485B4P	186	1485D9Q	186	1485FX	186	1487B60	190
1485B4Q	186	1485DFF	186	1485FY	186	1487B9P	190
1485B6	185	1485DH	186	1486B12	206	1487BH	191
1485B60	185	1485DJ	186	1486B12SS	207	1487BK	191
1485B9N	186	1485DK	186	1486B18	206	1487BM1	190
1485B9P	186	1485DL1	186	1486B18SS	207	1487BM2	190
1485B9Q	186	1485DL2	186	1486B24	206	1487BM3	190
1485BFF	186	1485DM1	186	1486B24SS	207	1487BM6	190
1485BH	186	1485DM2	186	1486B30	206	1487BS	191
1485BJ	186	1485DM3	186	1486B30SS	207	1487BT	190
1485BK	186	1485DRE	186	1486B36	206	1487BV1	190
1485BL1	186	1485DS9	186	1486B36SS	207	1487BV2	190
1485BL2	186	1485DSM	186	1486B48	206	1487BW	190
1485BM1	186	1485DTN	186	1486B48SS	207	1487BX	190
1485BM2	186	1485DTQ	186	1486B60	206	1487BY	190
1485BM3	186	1485DV1	186	1486B60SS	207	1487C12	190
1485BS9	186	1485DV2	186	1486B72	206	1487C120	190
1485BSM	186	1485DW1	186	1486B72SS	207	1487C120SS	194
1485BTN	186	1485DW2	186	1486C12	206	1487C12SS	194
1485BTQ	186	1485DX	186	1486C12SS	207	1487C24	190

 Technical references and CAD downloads available at www.hammondmfg.com

All dimensions in inches unless specified otherwise

Quality Products. Service Excellence.

Part Number Index

Part Number Index

Part No.	Page	Part No.	Page	Part No.	Page	Part No.	Page
1487C24SS	194	1487DTSS	194	1489MP20	175	14F1109	294
1487C2P	190	1487DV1	190	1489MP25	175	14F1111	294
1487C36	190	1487DV2	190	1489MP30	175	14F1311	294
1487C36SS	194	1487DV2SS	194	1489MP36	175	14F1513	294
1487C48	190	1487DW	190	1489MP4	175	14G0503	294
1487C48SS	194	1487DX	190	1489MP42	175	14G0505	294
1487C4P	190	1487DXSS	194	1489MP6	175	14G0705	294
1487C4PSS	194	1487DY	190	1489MP9	175	14G0707	294
1487C60	190	1487E12	190	1489P12	175	14G0907	294
1487C60SS	194	1487E120	190	1489P16	175	14G0909	294
1487C9P	190	1487E120SS	194	1489P20	175	14G1105	294
1487C9PSS	194	1487E12SS	194	1489P25	175	14G1109	294
1487CB60	190	1487E24	190	1489P30	175	14G1111	294
1487CFFSS	194	1487E24SS	194	1489P36	175	14G1307	294
1487CH	191	1487E2P	190	1489P4	175	14G1311	294
1487CHSS	194	1487E36	190	1489P42	175	14G1509	294
1487CK	191	1487E36SS	194	1489P6	175	14G1513	294
1487CKSS	194	1487E48	190	1489P9	175	14PLKS16	282
1487CL1SS	194	1487E48SS	194	1490D1	176	14PVC0505	298
1487CL2SS	194	1487E4P	190	1490D2	176	14PVC0705	298
1487CM1	190	1487E4PSS	194	1490D3	176	14PVC0707	298
1487CM2	190	1487E60	190	1490D4	176	14PVC0907	298
1487CM3	190	1487E60SS	194	1490G10	176	14PVC1109	298
1487CM6	190	1487E9P	190	1490G12	176	14PVC1111	298
1487CM6SS	194	1487E9PSS	194	1490G16	176	14PVC1311	298
1487CRC	191	1487EB60	190	1490G4	176	14PVC1513	298
1487CRE	191	1487EFFSS	194	1490G6	176	14PVC1715	298
1487CS	191	1487EH	191	1490G8	176	14QR	282
1487CSSS	194	1487EHSS	194	1490H9	176	14QRS16	282
1487CT	190	1487EK	191	1490J12	176	14QRSS	282
1487CTSS	194	1487EKSS	194	1490J16	176	14R0503	294
1487CV1	190	1487EL1SS	194	1490J20	176	14R0503SS	294
1487CV2	190	1487EL2SS	194	1490K25	176	14R0505	294
1487CV2SS	194	1487EM1	190	1490K30	176	14R0505SS	294
1487CW	190	1487EM2	190	1490MD1	176	14R0705	294
1487CX	190	1487EM3	190	1490MD2	176	14R0705SS	294
1487CXSS	194	1487EM6	190	1490MD3	176	14R0707	294
1487CY	190	1487EM6SS	194	1490MD4	176	14R0707SS	294
1487D12	190	1487ERCC	191	1490MG10	176	14R0907	294
1487D120	190	1487ERCCSS	194	1490MG12	176	14R0907SS	294
1487D120SS	194	1487ERCD	191	1490MG16	176	14R0909	294
1487D12SS	194	1487ERCDSS	194	1490MG4	176	14R0909SS	294
1487D24	190	1487EREC	191	1490MG6	176	14R1105	294
1487D24SS	194	1487ERECSS	194	1490MG8	176	14R1109	294
1487D2P	190	1487ERED	191	1490MH9	176	14R1109SS	294
1487D36	190	1487EREDSS	194	1490MJ12	176	14R1111	294
1487D36SS	194	1487ES	191	1490MJ16	176	14R1111SS	294
1487D48	190	1487ESSS	194	1490MJ20	176	14R1307	294
1487D48SS	194	1487ET	190	1490MK25	176	14R1311	294
1487D4P	190	1487ETSS	194	1490MK30	176	14R1311SS	294
1487D4PSS	194	1487EV1	190	1495C35	319	14R1509	294
1487D60	190	1487EV2	190	1495D35	319	14R1513	298
1487D60SS	194	1487EV2SS	194	1495XK	319	14R1513SS	294
1487D9P	190	1487EW	190	1495XN	319	14S10	302
1487D9PSS	194	1487EX	190	14A0503	294	14S12	302
1487DB60	190	1487EXSS	194	14A0505	294	14S14	302
1487DFSS	194	1487EY	190	14A0705	294	14S16	302
1487DH	191	1488EE7	162	14A0707	294	14S8	302
1487DHSS	194	1488EH7	162	14A0907	294	1554B2GY	79
1487DK	191	1488EJ7	162	14A0909	294	1554B2GYCL	79
1487DKSS	194	1488EL7	162	14A1105	294	1554B2GYSL	79
1487DL1SS	194	1488HH9	162	14A1109	294	1554BPL	79
1487DL2SS	194	1488HJ9	162	14A1111	294	1554C2GY	79
1487DM1	190	1488HL9	162	14A1307	294	1554C2GYCL	79
1487DM2	190	1488HN9	162	14A1311	294	1554C2GYSL	79
1487DM3	190	1488JJ11	162	14A1509	294	1554CPL	79
1487DM6	190	1488JL11	162	14A1513	298	1554D2GY	79
1487DM6SS	194	1488JN11	162	14B10	302	1554D2GYCL	79
1487DRC	191	1488JQ11	162	14B12	302	1554D2GYSL	79
1487DRCSS	194	1488JS11	162	14B14	302	1554E2GY	79
1487DRE	191	1488LL13	162	14B6	302	1554E2GYCL	79
1487DRESS	194	1488LN13	162	14B8	302	1554E2GYSL	79
1487DS	191	1488LQ13	162	14F0505	294	1554EE2GY	79
1487DSSS	194	1489MP12	175	14F0705	294	1554EE2GYCL	79
1487DT	190	1489MP16	175	14F0907	294	1554EE2GYSL	79

 Technical references and CAD downloads available at www.hammondmfg.com

All dimensions in inches unless specified otherwise

Part Number Index

Part No.	Page	Part No.	Page	Part No.	Page	Part No.	Page
1554EPL	79	1554T2GY	79	1557FA2GY	81	1590Z231	72
1554F2GY	79	1554T2GYCL	79	1557FPL	81	1590Z231BK	72
1554F2GYCL	79	1554T2GYSL	79	1557H2BK	81	1590Z231GY	72
1554F2GYSL	79	1554U2GY	79	1557H2GY	81	1590Z231PL	72
1554FPL	79	1554U2GYCL	79	1557HA2BK	81	1590Z235	72
1554FT	79	1554U2GYSL	79	1557HA2GY	81	1590Z235BK	72
1554FT-XY	79	1554UPL	79	1557HPL	81	1590Z235GY	72
1554G2GY	79	1554V2GY	79	1590Z060	71	1590Z235PL	72
1554G2GYCL	79	1554V2GYCL	79	1590Z060BK	71	1590Z250	72
1554G2GYSL	79	1554V2GYSL	79	1590Z060GY	71	1590Z250BK	72
1554H2GY	79	1554VA2GY	79	1590Z061	71	1590Z250GY	72
1554H2GYCL	79	1554VA2GYCL	79	1590Z061BK	71	1590Z250PL	72
1554H2GYSL	79	1554VA2GYSL	79	1590Z061GY	71	1590ZGRP081	83
1554HPL	79	1554VAPL	79	1590Z062	71	1590ZGRP081BK	83
1554J2GY	79	1554VB2GY	79	1590Z062BK	71	1590ZGRP081PL	83
1554J2GYCL	79	1554VB2GYCL	79	1590Z062GY	71	1590ZGRP082	83
1554J2GYSL	79	1554VB2GYSL	79	1590Z063	71	1590ZGRP082BK	83
1554JPL	79	1554VPL	79	1590Z063BK	72	1590ZGRP082PL	83
1554K2GY	79	1554W2GY	79	1590Z063GY	72	1590ZGRP083	83
1554K2GYCL	79	1554W2GYCL	79	1590Z090	72	1590ZGRP083BK	83
1554K2GYSL	79	1554W2GYSL	79	1590Z090BK	72	1590ZGRP083PL	83
1554L2GY	79	1554WA2GY	79	1590Z090GY	72	1590ZGRP084	83
1554L2GYCL	79	1554WA2GYCL	79	1590Z090PL	72	1590ZGRP084BK	83
1554L2GYSL	79	1554WA2GYSL	79	1590Z100	71	1590ZGRP121	83
1554LA2GY	79	1554WPL	79	1590Z100BK	71	1590ZGRP121BK	83
1554LA2GYCL	79	1554X2GY	79	1590Z100GY	71	1590ZGRP121PL	83
1554LA2GYSL	79	1554X2GYCL	79	1590Z100PL	71	1590ZGRP123	83
1554LPL	79	1554X2GYSL	79	1590Z110	71	1590ZGRP123BK	83
1554MPB1	180	1554XA2GY	79	1590Z110BK	71	1590ZGRP123PL	83
1554MPB15	180	1554XA2GYCL	79	1590Z110GY	71	1590ZGRP131	83
1554MPB15A	180	1554XA2GYSL	79	1590Z119	71	1590ZGRP131BK	83
1554MPB1A	180	1554XPL	79	1590Z119BK	71	1590ZGRP131PL	83
1554MPB2	180	1554Y2GY	79	1590Z119GY	71	1590ZGRP161	83
1554MPB20	180	1554Y2GYCL	79	1590Z119PL	71	1590ZGRP161BK	83
1554MPB20A	180	1554Y2GYSL	79	1590Z120	71	1590ZGRP161PL	83
1554MPB2D	180	1554YA2GY	79	1590Z120BK	71	1590ZGRP162	83
1554MPB3	180	1554YA2GYCL	79	1590Z120GY	71	1590ZGRP162BK	83
1554MPB4	180	1554YA2GYSL	79	1590Z120PL	71	1590ZGRP162PL	83
1554MPB6	180	1554YPL	79	1590Z130	72	1590ZGRP163	83
1554MPB6A	180	1555B2F22GY	80	1590Z130BK	72	1590ZGRP163BK	83
1554MPB6B	180	1555BFPL	80	1590Z130GY	72	1590ZGRP163PL	83
1554N2GY	79	1555C2F22GY	80	1590Z135	72	1590ZGRP233	83
1554N2GYCL	79	1555C2F42GY	80	1590Z135BK	72	1590ZGRP233BK	83
1554N2GYSL	79	1555CFPL	80	1590Z135GY	72	1590ZGRP233PL	83
1554NPL	79	1555E2F17GY	80	1590Z140	72	1590ZGRP234	83
1554P2GY	79	1555E2F42GY	80	1590Z140BK	72	1590ZGRP234BK	83
1554P2GYCL	79	1555EFPL	80	1590Z140GY	72	1590ZGRP234PL	83
1554P2GYSL	79	1555F2F17GY	80	1590Z140PL	72	1590ZGRP235	83
1554PB1	180	1555F2F42GY	80	1590Z150	72	1590ZGRP235BK	83
1554PB12	180	1555FFPL	80	1590Z150BK	72	1590ZGRP243	83
1554PB12A	180	1555H2F17GY	80	1590Z150GY	72	1590ZGRP243BK	83
1554PB1A	180	1555H2F42GY	80	1590Z150PL	72	1590ZGRP243PL	83
1554PB2	180	1555HFPL	80	1590Z155	72	1590ZGRP244	83
1554PB2D	180	1555J2F17GY	80	1590Z155BK	72	1590ZGRP244BK	83
1554PB3	180	1555J2F42GY	80	1590Z155GY	72	1590ZGRP253	83
1554PB4	180	1555JFPL	80	1590Z160	72	1590ZGRP253BK	83
1554PB6	180	1555N2F17GY	80	1590Z160BK	72	1590ZGRP253PL	83
1554PB6A	180	1555N2F42GY	80	1590Z160GY	72	1590ZGRP263	83
1554PB6B	180	1555NFPL	80	1590Z160PL	72	1590ZGRP263BK	83
1554PB8	180	1555R2F17GY	80	1590Z162	72	1590ZGRP263PL	83
1554PB8A	180	1555R2F42GY	80	1590Z162BK	72	1590ZGRP264	83
1554Q2GY	79	1555RFPL	80	1590Z162GY	72	1590ZGRP264BK	83
1554Q2GYCL	79	1557B2BK	81	1590Z162PL	72	18314000100	278
1554Q2GYSL	79	1557B2GY	81	1590Z163	72	18380000025	277
1554QA2GY	79	1557BA2BK	81	1590Z163BK	72	18881500001	277
1554QA2GYCL	79	1557BA2GY	81	1590Z163GY	72	18881500004	277
1554QA2GYSL	79	1557BPL	81	1590Z163PL	72	18881500005	277
1554QPL	79	1557D2BK	81	1590Z164	72	18881500006	277
1554R2GY	79	1557D2GY	81	1590Z164BK	72	18881500007	277
1554R2GYCL	79	1557DA2BK	81	1590Z164GY	72	18881500008	277
1554R2GYSL	79	1557DA2GY	81	1590Z164PL	72	18881500009	277
1554RPL	79	1557DPL	81	1590Z166	72	18881500010	277
1554S2GY	79	1557F2BK	81	1590Z166BK	72	18A1309	295
1554S2GYCL	79	1557F2GY	81	1590Z166GY	72	18A1313	295
1554S2GYSL	79	1557FA2BK	81	1590Z166PL	72	18A1713	295

 Technical references and CAD downloads available at www.hammondmfg.com

All dimensions in inches unless specified otherwise

Quality Products. Service Excellence.

Part Number Index

Part Number Index

Part No.	Page	Part No.	Page	Part No.	Page	Part No.	Page
18A1717	295	18P2721	295	2CBRK	157	2CSB262418	150
18A2117	295	18P2721PP	299	2CBRSK	157	2CSB263618	150
18A2121	295	18P2721S16	295	2CCSTL	161	2CSB264818	150
18A2721	295	18P2727	295	2CCSTN	161	2CSB266018	150
18A3321	295	18P2727PP	299	2CDMK	158	2CSBC2436	160
18A3327	295	18P2727S16	295	2CDSTP	158	2CSBC3636	160
18A4533	295	18P3317	241	2CHPS	158	2CSBC4836	160
18A5733	295	18P3321	295	2CLB262418	150	2CSBC6036	160
18B212	303	18P3321PP	299	2CLB263618	150	2CSBW24	161
18B216	303	18P3321S16	295	2CLB264818	150	2CSBW36	161
18B220	303	18P3327	295	2CLB266018	150	2CSBW48	161
18B224	303	18P3327PP	299	2CLBC2436	160	2CSBW60	161
18B230	303	18P3327S16	295	2CLBC3636	160	2CSBX262418	150
18B236	303	18P3333	295	2CLBC4836	160	2CSBX263618	150
18B324	303	18P3333PP	299	2CLBC6036	160	2CSBX264818	150
18B330	303	18P3333S16	295	2CLBW24	161	2CSBX266018	150
18B336	303	18P3921	295	2CLBW36	161	2CSC2024	153
18G0909	295	18P3927	295	2CLBW48	161	2CSC2036	153
18G1309	295	18P3927S16	295	2CLBW60	161	2CSC2048	153
18G1313	295	18P3933	295	2CLBX262418	150	2CSC2060	153
18G1515	295	18P3933S16	295	2CLBX263618	150	2CSD24R	154
18G1709	295	18P4521	295	2CLBX264818	150	2CSD24X	159
18G1713	295	18P4527	295	2CLBX266018	150	2CSD82436	151
18G1717	295	18P4533	295	2CLC2024	153	2CSD82443	151
18G2109	295	18P4533S16	295	2CLC2036	153	2CSD83636	151
18G2113	295	18P4545	241	2CLC2048	153	2CSD83643	151
18G2117	295	18P5721	295	2CLC2060	153	2CSD84836	151
18G2121	295	18P5733	295	2CLD24R	154	2CSD84843	151
18G2709	295	18P5733S16	295	2CLD24X	159	2CSD86036	151
18G2713	295	18P6927	295	2CLD82436	151	2CSD86043	151
18G2717	295	18P6933	295	2CLD82443	151	2CSDC2436	161
18G2721	295	18S12	303	2CLD83636	151	2CSDC2443	161
18G2727	295	18S16	324	2CLD83643	151	2CSDC3636	161
18G3321	295	18S20	303	2CLD84836	151	2CSDC3643	161
18G3327	295	18S24	303	2CLD84843	151	2CSDC4836	161
18G3333	295	18S30	303	2CLD86036	151	2CSDC4843	161
18G3921	295	18S36	303	2CLD86043	151	2CSDC6036	161
18G3927	295	18S42	303	2CLDC2436	161	2CSDC6043	161
18G3933	295	18S48	303	2CLDC2443	161	2CSF24	160
18G4521	295	18S60	303	2CLDC3636	161	2CSF36	160
18G4527	295	18S72	303	2CLDC3643	161	2CSF48	160
18G4533	295	1UHD722918FTC	119	2CLDC4836	161	2CSF60	160
18G5721	295	1UHD722918N4SS	123	2CLDC4843	161	2CSFB19	156
18G5733	295	1UHD723518FTC	119	2CLDC6036	161	2CSFB24	156
18G6927	295	1UHD723518N4SS	123	2CLDC6043	161	2CSFT19	156
18G6933	295	1UHD724118FTC	119	2CLF24	160	2CSFT24	156
18P0909	295	1UHD724118N4SS	123	2CLF36	160	2CSP42418	160
18P1309	295	1UHD844118FTC	119	2CLF48	160	2CSP43618	160
18P1309PP	299	1UHD844118N4SS	123	2CLF60	160	2CSP44818	160
18P1309S16	295	1UHD844124FTC	119	2CLP42418	160	2CSP46018	160
18P1313	295	1UHD844124N4SS	123	2CLP43618	160	2CSP82418	160
18P1313PP	299	1UHD904118FTC	119	2CLP44818	160	2CSP83618	160
18P1313S16	295	1UHD904118N4SS	123	2CLP46018	160	2CSP84818	160
18P1515	295	1UHD904120FTC	119	2CLP82418	160	2CSP86018	160
18P1515PP	299	1UHD904120N4SS	123	2CLP83618	160	2CSS	159
18P1709	295	1UHD904124FTC	119	2CLP84818	160	2CST202436	152
18P1713	295	1UHD904124N4SS	123	2CLP86018	160	2CST202443	152
18P1713PP	299	20P1410	297	2CLPS	158	2CST203636	152
18P1713S16	295	20P1814	297	2CLS	159	2CST203643	152
18P1717	295	20P1818	297	2CLT202436	152	2CST204836	152
18P1717PP	299	20P2218	297	2CLT202443	152	2CST204843	152
18P1717S16	295	20P2222	297	2CLT203636	152	2CST206036	152
18P2109	295	20P2818	297	2CLT203643	152	2CST206043	152
18P2113	295	20P2822	297	2CLT204836	152	2CSTW24	159
18P2113S16	295	20P3422	297	2CLT204843	152	2CTRK	157
18P2117	295	20P3428	297	2CLT206036	152	2CTRSK36	157
18P2117PP	299	20P4022	297	2CLT206043	152	2CTRSK43	157
18P2117S16	295	20P4028	297	2CLTW24	159	2CWBP24	155
18P2121	295	20P4034	297	2CMBPk	158	2CWBP36	155
18P2121PP	299	20P4634	297	2CMC24	156	2CWBP48	155
18P2121S16	295	22P5038	297	2CMC36	156	2CWBP60	155
18P2709	295	22P5644	297	2CMC48	156	2CWCP24	155
18P2713	295	22P5656	297	2CMC60	156	2CWCP36	155
18P2717	295	22P6856	297	2CMKS24	NA	2CWCP48	155
18P2717S16	295	22P6868	297	2CRTK	157	2CWCP60	155

 Technical references and CAD downloads available at www.hammondmfg.com

All dimensions in inches unless specified otherwise

Part Number Index

Part No.	Page	Part No.	Page	Part No.	Page	Part No.	Page
2CWDP24	155	2UHD847924FTC	119	90FD26	300	C3R1086HCR	227
2CWDP36	155	2UHD847924N4SS	123	90FD9	300	C3R1086SC	226
2CWDP48	155	2UHD907918FTC	119	90YFW	300	C3R12104SC	226
2CWDP60	155	2UHD907918N4SS	123	90YFWG	300	C3R12106HCLO	228
2CWDSR	156	2UHD907920FTC	119	90YHW	300	C3R12106HCR	227
2D1K12	290	2UHD907920N4SS	123	90YHWG	300	C3R12106SC	226
2D1K16	290	2UHD907924FTC	119	90YWFW	300	C3R121210HCR	227
2D1K20	290	2UHD907924N4SS	123	90YWFWG	300	C3R12124ESCNK	222
2D1K24	290	2WKL	287	90YWHW	300	C3R12124ESCNKAL	223
2D1K30	290	2WKL18	285	90YWHWG	300	C3R12124SC	226
2D2K12	290	3UHD7210118FTC	119	A1868	298	C3R12124SCNKO	226
2D2K16	290	3UHD7210118N4SS	123	A2068	294	C3R12126ESCNK	222
2D2K20	290	3UHD7211918FTC	119	AHK1	285	C3R12126ESCNKAL	223
2D2K24	290	3UHD7211918N4SS	123	AHK2	285	C3R12126HCLO	228
2D2K30	290	3UHD8411918FTC	119	AHK3	285	C3R12126HCR	227
2DBI3	287	3UHD8411918N4SS	123	AHKL1	285	C3R12126SC	226
2DBI3SS	287	3UHD8411924FTC	119	AHKL2	285	C3R12126SCNKO	226
2DCK12	290	3UHD8411924N4SS	123	AHKL3	285	C3R12128SC	226
2DCK16	290	3UHD9011924FTC	119	AK1494FD	318	C3R12128SCNKO	226
2DCK20	290	3UHD9011924N4SS	123	AKIT316ST	323	C3R1244SC	226
2DCK24	290	4UHD8415718FTC	119	AKU	318	C3R1284SC	226
2DCK30	290	4UHD8415718N4SS	123	AP1612	299	C3R1286SC	226
2DMK12	290	4UHD9015718FTC	119	AP1612PP	301	C3R15126SC	226
2DMK16	290	4UHD9015718N4SS	123	AP1616	299	C3R15128SC	226
2DMK20	290	60AWFW	300	AP1616PP	301	C3R16126HCLO	228
2DMK24	290	60AWFWG	300	AP1620	299	C3R16126HCR	229
2DMK30	290	60AWHW	300	AP1620PP	301	C3R16126SC	226
2GPL	287	60AWHWG	300	AP2016	299	C3R16126SCNKO	226
2QTR	287	60FD14	300	AP2016PP	301	C3R16166ESCNK	222
2SLI	287	60TWF	300	AP2020	299	C3R16166HCLO	228
2SQI7	287	60TWF	300	AP2020PP	301	C3R16166HCR	229
2SQK7	287	60TWHW	300	AP2024	299	C3R18124SC	226
2SSQTR	287	60TWHWG	300	AP2024PP	301	C3R18126SC	226
2STFS747512S16	67	60TYFW	300	AP2416	299	C3R18128SC	226
2STFS747512SS	67	60TYFWG	300	AP2416PP	301	C3R181810HCR	229
2STFS747518S16	67	60TYHW	300	AP2420	299	C3R181810SC	226
2STFS747518SS	67	60TYHWG	300	AP2420PP	301	C3R18184SC	226
2STFS747524S16	67	72FD14	300	AP2424	299	C3R18186ESCNK	222
2STFS747524SS	67	72FD20	300	AP2424PP	301	C3R18186HCR	229
2STFSD747512S16	125	72FD26	300	AP3020	299	C3R18186SC	226
2STFSD747512SS	125	72FD9	300	AP3020PP	301	C3R18186SCNKO	226
2STFSD747518S16	125	72WFW	300	AP3024	299	C3R18188SC	226
2STFSD747518SS	125	72WFWG	300	AP3024PP	301	C3R18188SCNKO	226
2STFSD747524S16	125	72WHW	300	AP3030	299	C3R1866SC	226
2STFSD747524SS	125	72WHWG	300	AP3030PP	301	C3R20166HCLO	228
2TRI7	287	72XFW	300	AP3624	299	C3R20166HCR	229
2TRK7	287	72XFWG	300	AP3624PP	301	C3R20208HCLO	228
2UD605012FFTC	115	72XHW	300	AP3630	299	C3R20208HCR	229
2UD605012FTC	113	72XHWG	300	AP3630PP	301	C3R24126SC	226
2UD605018FFTC	115	72YFW	300	AP4224	299	C3R24168SC	226
2UD606212FFTC	115	72YFWG	300	AP4224PP	301	C3R241810SC	226
2UD606212FTC	113	72YHW	300	AP4230	299	C3R24186SC	226
2UD606218FFTC	115	72YHWG	300	AP4236	299	C3R24188SC	226
2UD726212FFTC	115	72ZFW	300	AP4836	299	C3R24208HCLO	228
2UD726212FTC	113	72ZFWG	300	BDN4XN1	272	C3R24208HCR	229
2UD726218FFTC	115	72ZWHW	300	BKFM6012	327	C3R24208SC	226
2UD727412FFTC	115	72ZWHWG	300	BKFM6018	327	C3R242410HCR	229
2UD727412FTC	113	72ZXF	300	BKFM7218	327	C3R242410SC	226
2UD727418FFTC	115	72ZXF	300	BKFM7224	327	C3R242410SCNKO	226
2UD727424FFTC	115	72ZXHW	300	BKWM2408	327	C3R242412SC	226
2UDCP604912FFTC	117	72ZXHWG	300	BKWM3010	327	C3R242412SCNKO	226
2UDCP606112FFTC	117	72ZYFW	300	BKWM3612	327	C3R24246ESCNK	222
2UDCP726112FFTC	117	72ZYFWG	300	BKWM4212	327	C3R24246SC	226
2UDCP727312FFTC	117	72ZYHW	300	BKWM4812	327	C3R24246SCNKO	226
2UDCP727318FFTC	117	72ZYHWG	300	BPAK	318	C3R24248HCLO	228
2UHD725518FTC	119	90BFW	300	C3R10104ESCNK	222	C3R24248HCR	229
2UHD725518N4SS	123	90BFWG	300	C3R10104ESCNKAL	223	C3R24248SC	226
2UHD726718FTC	119	90BWHW	300	C3R10104SC	226	C3R24248SCNKO	226
2UHD726718N4SS	123	90BWHWG	300	C3R10104SCNKO	226	C3R2488SC	226
2UHD727918FTC	119	90BYFW	300	C3R10106ESCNK	222	C3R302410HCR	229
2UHD727918N4SS	123	90BYFWG	300	C3R10106ESCNKAL	223	C3R302410SC	226
2UHD727924FTC	119	90BYHW	300	C3R10106SC	226	C3R30248HCLO	228
2UHD727924N4SS	123	90BYHWG	300	C3R10106SCNKO	226	C3R30248HCR	229
2UHD847918FTC	119	90FD14	300	C3R1084SC	226	C3R30248SC	226
2UHD847918N4SS	123	90FD20	300	C3R1086HCLO	228	C3R303012HCR	229

 Technical references and CAD downloads available at www.hammondmfg.com

All dimensions in inches unless specified otherwise

Quality Products. Service Excellence.

Part Number Index

Part Number Index

Part No.	Page	Part No.	Page	Part No.	Page	Part No.	Page
C3R303012SC	226	C3RWT1260G	205	C3SC888GY	224	CMC484812	237
C3R303012SCNKO	226	C3RWT1272	204	C4XSC10104SS	225	CMCQ241610	239
C3R303016HCR	229	C3RWT1272G	205	C4XSC10106SS	225	CMCQ303010	238
C3R303016SC	226	C3RWT1284	204	C4XSC1084SS	225	CMCQ363612	238
C3R30308HCR	229	C3RWT1284G	205	C4XSC12124SS	225	CMCQ484812	238
C3R362412HCR	229	C3RWT1296	204	C4XSC12126SS	225	CMCQP1	238
C3R363012HCR	229	C3RWT1296G	205	C4XSC12128SS	225	CMCQP2	238
C3R363012SC	226	C3RWT412	204	C4XSC16166SS	225	CMCQP3	238
C3R363610HCR	229	C3RWT412G	205	C4XSC16168SS	225	CN4SB103	231
C3R363612HCR	229	C3RWT418	204	C4XSC18186SS	225	CN4SB103SS	232
C3R363612SC	226	C3RWT418G	205	C4XSC242410SS	225	CN4SB104	231
C3R363612SCNKO	226	C3RWT424	204	C4XSC242412SS	225	CN4SB104SS	232
C3R423012HCR	229	C3RWT424G	205	C4XSC24246SS	225	CN4SB203	231
C3R423612HCR	229	C3RWT436	204	C4XSC24248SS	225	CN4SB203SS	232
C3R444SC	226	C3RWT436G	205	C4XSC303012SS	225	CN4SB204	231
C3R483612HCR	229	C3RWT448	204	C4XSC363612SS	225	CN4SB204SS	232
C3R483616HCR	229	C3RWT448G	205	C4XSC664SS	225	CN4SB403	231
C3R483616SC	226	C3RWT460	204	C4XSC666SS	225	CN4SB403SS	232
C3R48368SC	226	C3RWT460G	205	C4XSC864SS	225	CN4SB404	231
C3R603612HCR	229	C3RWT472	204	C4XSC884SS	225	CN4SB404SS	232
C3R644HCR	227	C3RWT472G	205	C4XSC886SS	225	CN4SB603	231
C3R644SC	226	C3RWT612	204	CAGKIT1032-100	140	CN4SB603SS	232
C3R664ESCNK	222	C3RWT612G	205	CAGKIT1032-25	140	CN4SB604	231
C3R664ESCNKAL	223	C3RWT618	204	CAGKIT1224-100	140	CN4SB604SS	232
C3R664HCR	227	C3RWT618G	205	CAGKITM6-100	140	CN4SB73	231
C3R664SC	226	C3RWT624	204	CCE6301	253	CN4SB73SS	232
C3R664SCNKO	226	C3RWT624G	205	CCE6401	253	CN4SB74	231
C3R666SC	226	C3RWT636	204	CCE6601	253	CN4SB74SS	232
C3R864HCLO	228	C3RWT636G	205	CGK	236	CN4ST2103	234
C3R864HCR	227	C3RWT648	204	CGK125	236	CN4ST2103SS	235
C3R864SC	226	C3RWT648G	205	CGK225	236	CN4ST2104	234
C3R884ESCNK	222	C3RWT660	204	CGK400	236	CN4ST2104SS	235
C3R884ESCNKAL	223	C3RWT660G	205	CGK600	236	CN4ST2203	234
C3R884SC	226	C3RWT672	204	CGT1244	203	CN4ST2203SS	235
C3R884SCNKO	226	C3RWT672G	205	CGT1266	203	CN4ST273	234
C3R886ESCNK	222	C3RWT8116	204	CGT1844	203	CN4ST273SS	235
C3R886ESCNKAL	223	C3RWT8116G	205	CGT1866	203	CN4ST274	234
C3R886HCLO	228	C3RWT812	204	CGT2444	203	CN4ST274SS	235
C3R886HCR	227	C3RWT812G	205	CGT2466	203	CN4ST3103	234
C3R886SC	226	C3RWT824	204	CGT3644	203	CN4ST3103SS	235
C3R886SCNKO	226	C3RWT824G	205	CGT3666	203	CN4ST3104	234
C3R888SC	226	C3RWT836	204	CGT4844	203	CN4ST3104SS	235
C3RHCLOMFK1	228	C3RWT836G	205	CGT4866	203	CN4ST3203	234
C3RHCLOMFK2	228	C3RWT848	204	CHKO10104	216	CN4ST3203SS	235
C3RHCLOPK1	228	C3RWT848G	205	CHKO10106	216	CN4ST3204	234
C3RHCLOPK2	228	C3RWT860	204	CHKO1084	216	CN4ST3204SS	235
C3RMC202010	240	C3RWT860G	205	CHKO1086	216	CN4ST3403	234
C3RMC271310	240	C3RWT872	204	CHKO12104	216	CN4ST3403SS	235
C3RMC302010	240	C3RWT872G	205	CHKO12106	216	CN4ST373	234
C3RMC303010	240	C3RWT896	204	CHKO12124	216	CN4ST373SS	235
C3RMC363612	240	C3RWT896G	205	CHKO12126	216	CN4ST374	234
C3RMC484812	240	C3SC10104GY	224	CHKO1284	216	CN4ST374SS	235
C3RWT10116	204	C3SC10106GY	224	CHKO16124	216	CN4ST4103	234
C3RWT10116G	205	C3SC1084GY	224	CHKO16126	216	CN4ST4103SS	235
C3RWT1024	204	C3SC12106GY	224	CHKO16166	216	CN4ST4104	234
C3RWT1024G	205	C3SC12124GY	224	CHKO18124	216	CN4ST4104SS	235
C3RWT1036	204	C3SC12126GY	224	CHKO18126	216	CN4ST4203	234
C3RWT1036G	205	C3SC12128GY	224	CHKO18186	216	CN4ST4203SS	235
C3RWT1048	204	C3SC16126GY	224	CHKO24186	216	CN4ST4204	234
C3RWT1048G	205	C3SC16166GY	224	CHKO24246	216	CN4ST4204SS	235
C3RWT1060	204	C3SC16168GY	224	CHKO30246	216	CN4ST4403	234
C3RWT1060G	205	C3SC18186GY	224	CHKO36246	216	CN4ST4403SS	235
C3RWT1072	204	C3SC20208GY	224	CHKO36248	216	CN4ST4404	234
C3RWT1072G	205	C3SC24208GY	224	CHKO644	216	CN4ST4404SS	235
C3RWT1096	204	C3SC242410GY	224	CHKO663	216	CN4ST4603	234
C3RWT1096G	205	C3SC242412GY	224	CHKO664	216	CN4ST4603SS	235
C3RWT12116	204	C3SC24246GY	224	CHKO666	216	CN4ST4604	234
C3RWT12116G	205	C3SC24248GY	224	CHKO864	216	CN4ST4604SS	235
C3RWT1224	204	C3SC303012GY	224	CHKO884	216	CN4ST473	234
C3RWT1224G	205	C3SC363612GY	224	CHKO886	216	CN4ST473SS	235
C3RWT1236	204	C3SC664GY	224	CMC202010	237	CN4ST474	234
C3RWT1236G	205	C3SC666GY	224	CMC271310	237	CN4ST474SS	235
C3RWT1248	204	C3SC864GY	224	CMC302010	237	CN4ST5203	234
C3RWT1248G	205	C3SC884GY	224	CMC303010	237	CN4ST5203SS	235
C3RWT1260	204	C3SC886GY	224	CMC363612	237	CN4ST5204	234

 Technical references and CAD downloads available at www.hammondmfg.com

All dimensions in inches unless specified otherwise

Part Number Index

Part No.	Page	Part No.	Page	Part No.	Page	Part No.	Page
CN4ST5204SS	235	CS88EXT4	214	CSKO1284	210	CST5203	233
CN4ST5403	234	CSB100	230	CSKO16124	210	CST5204	233
CN4ST5403SS	235	CSB103	230	CSKO16126	210	CST5400	233
CN4ST5404	234	CSB104	230	CSKO16143	210	CST5403	233
CN4ST5404SS	235	CSB200	230	CSKO16166	210	CST5404	233
CN4ST5603	234	CSB203	230	CSKO16168	210	CST5603	233
CN4ST5603SS	235	CSB204	230	CSKO18124	210	CST5604	233
CN4ST5604	234	CSB400	230	CSKO18126	210	CST6100	233
CN4ST5604SS	235	CSB403	230	CSKO18143	210	CST6103	233
CN4ST6103	234	CSB404	230	CSKO18184	210	CST6104	233
CN4ST6103SS	235	CSB600	230	CSKO18186	210	CST6203	233
CN4ST6104	234	CSB603	230	CSKO20143	210	CST6204	233
CN4ST6104SS	235	CSB604	230	CSKO202010	210	CST6400	233
CN4ST6203	234	CSB70	230	CSKO24186	210	CST6403	233
CN4ST6203SS	235	CSB73	230	CSKO242410	210	CST6404	233
CN4ST6204	234	CSB74	230	CSKO24244	210	CST6603	233
CN4ST6204SS	235	CSBL125B	236	CSKO24246	210	CST6604	233
CN4ST6403	234	CSBL125T	236	CSKO24248	210	CWAD10	198
CN4ST6403SS	235	CSBL225	236	CSKO302010	210	CWAD10G	200
CN4ST6404	234	CSBL400	236	CSKO30246	210	CWAD12	198
CN4ST6404SS	235	CSBL600	236	CSKO362410	210	CWAD12G	200
CN4ST6603	234	CSFC1010	215	CSKO36246	210	CWAD2	198
CN4ST6603SS	235	CSFC108	215	CSKO443	210	CWAD2G	200
CN4ST6604	234	CSFC1212	215	CSKO444	210	CWAD4	198
CN4ST6604SS	235	CSFC128	215	CSKO644	210	CWAD4G	200
CS10104	211	CSFC1616	215	CSKO663	210	CWAD6	198
CS10106	211	CSFC1812	215	CSKO664	210	CWAD6G	200
CS1010EXT4	214	CSFC1818	215	CSKO666	210	CWAD8	198
CS1084	211	CSFC2418	215	CSKO863	210	CWAD8G	200
CS1086	211	CSFC2424	215	CSKO864	210	CWBA260	198
CS12104	211	CSFC66	215	CSKO884	210	CWBA460	198
CS12106	211	CSFC86	215	CSKO886	210	CWBA660	198
CS12124	211	CSFC88	215	CSKOG10104	213	CWBA860	198
CS12126	211	CSG10104	212	CSKOG10106	213	CWCF10	198
CS12128	211	CSG10106	212	CSKOG12124	213	CWCF10G	200
CS1212EXT4	214	CSG1010EXT4	214	CSKOG12126	213	CWCF12	198
CS1212EXT6	214	CSG12106	212	CSKOG12128	213	CWCF12G	200
CS1284	211	CSG12124	212	CSKOG16166	213	CWCF2	198
CS16124	211	CSG12126	212	CSKOG16168	213	CWCF2G	200
CS16126	211	CSG12128	212	CSKOG18124	213	CWCF4	198
CS16143	211	CSG1212EXT4	214	CSKOG664	213	CWCF4G	200
CS16166	211	CSG16166	212	CSKOG666	213	CWCF6	198
CS16168	211	CSG18126	212	CSKOG884	213	CWCF6G	200
CS1616EXT6	214	CSG181812	212	CSKOG886	213	CWCF8	198
CS18124	211	CSG18184	212	CST2100	233	CWCF8G	200
CS18126	211	CSG18186	212	CST2103	233	CWCP10	198
CS18143	211	CSG18188	212	CST2104	233	CWCP10G	200
CS18184	211	CSG242412	212	CST2200	233	CWCP10GNK	200
CS18186	211	CSG24244	212	CST2203	233	CWCP10NK	198
CS18188	211	CSG24246	212	CST273	233	CWCP12	198
CS20143	211	CSG24248	212	CST274	233	CWCP12G	200
CS202010	211	CSG303012	212	CST3100	233	CWCP12GNK	200
CS24186	211	CSG30306	212	CST3103	233	CWCP12NK	198
CS242410	211	CSG30308	212	CST3104	233	CWCP2	198
CS24244	211	CSG363612	212	CST3200	233	CWCP2G	200
CS24246	211	CSG363616	212	CST3203	233	CWCP2GNK	200
CS24248	211	CSG36366	212	CST3204	233	CWCP2NK	198
CS302010	211	CSG36368	212	CST3400	233	CWCP4	198
CS30246	211	CSG484812	212	CST3403	233	CWCP4G	200
CS362410	211	CSG484816	212	CST373	233	CWCP4GNK	200
CS36246	211	CSG664	212	CST374	233	CWCP4NK	198
CS36248	211	CSG666	212	CST4100	233	CWCP6	198
CS363612	211	CSG66EXT4	214	CST4103	233	CWCP6G	200
CS36366	211	CSG884	212	CST4104	233	CWCP6GNK	200
CS443	211	CSG886	212	CST4200	233	CWCP6NK	198
CS444	211	CSG88EXT4	214	CST4203	233	CWCP8	198
CS644	211	CSKO10104	210	CST4204	233	CWCP8G	200
CS663	211	CSKO10106	210	CST4400	233	CWCP8GNK	200
CS664	211	CSKO1084	210	CST4403	233	CWCP8NK	198
CS666	211	CSKO1086	210	CST4404	233	CWCRD42	198
CS66EXT4	214	CSKO12104	210	CST4603	233	CWCRD64	198
CS863	211	CSKO12106	210	CST4604	233	CWCRD86	198
CS864	211	CSKO12124	210	CST473	233	CWEL1045	198
CS884	211	CSKO12126	210	CST474	233	CWEL1045G	200
CS886	211	CSKO12128	210	CST5200	233	CWEL1090	198

 Technical references and CAD downloads available at www.hammondmfg.com

All dimensions in inches unless specified otherwise

Quality Products. Service Excellence.

Part Number Index

Part Number Index

Part No.	Page	Part No.	Page	Part No.	Page	Part No.	Page
CWEL1090G	200	CWSC1096GNK	200	CWSC460G	200	CWST1212NK	198
CWEL1245	198	CWSC1096NK	197	CWSC460GNK	200	CWST1224NK	198
CWEL1245G	200	CWSC1212	197	CWSC460NK	197	CWST1236NK	198
CWEL1290	198	CWSC12120GNK	200	CWSC472	197	CWST1248NK	198
CWEL1290G	200	CWSC12120NK	197	CWSC472G	200	CWST1260NK	198
CWEL222	198	CWSC1212G	200	CWSC472GNK	200	CWST1272NK	198
CWEL245	198	CWSC1212GNK	200	CWSC472NK	197	CWST1296NK	198
CWEL245G	200	CWSC1212NK	197	CWSC612	197	CWST212	198
CWEL290	198	CWSC1224	197	CWSC6120	197	CWST2120	198
CWEL290G	200	CWSC1224G	200	CWSC6120G	200	CWST2120NK	198
CWEL422	198	CWSC1224GNK	200	CWSC6120GNK	200	CWST212NK	198
CWEL445	198	CWSC1224NK	197	CWSC6120NK	197	CWST224	198
CWEL445G	200	CWSC1236	197	CWSC612G	200	CWST224NK	198
CWEL490	198	CWSC1236G	200	CWSC612GNK	200	CWST236	198
CWEL490G	200	CWSC1236GNK	200	CWSC612NK	197	CWST236NK	198
CWEL622	198	CWSC1236NK	197	CWSC618GNK	200	CWST248	198
CWEL645	198	CWSC1248	197	CWSC618NK	197	CWST248NK	198
CWEL645G	200	CWSC1248G	200	CWSC624	197	CWST260	198
CWEL690	198	CWSC1248GNK	200	CWSC624G	200	CWST260NK	198
CWEL690G	200	CWSC1248NK	197	CWSC624GNK	200	CWST272	198
CWEL822	198	CWSC1260	197	CWSC624NK	197	CWST296	198
CWEL845	198	CWSC1260G	200	CWSC636	197	CWST412	198
CWEL845G	200	CWSC1260GNK	200	CWSC636G	200	CWST4120	198
CWEL890	198	CWSC1260NK	197	CWSC636GNK	200	CWST4120NK	198
CWEL890G	200	CWSC1272GNK	200	CWSC636NK	197	CWST412NK	198
CWHD10	198	CWSC1272NK	197	CWSC648	197	CWST418NK	198
CWHD12	198	CWSC1296GNK	200	CWSC648G	200	CWST424	198
CWHD2	198	CWSC1296NK	197	CWSC648GNK	200	CWST424NK	198
CWHD4	198	CWSC212	197	CWSC648NK	197	CWST436	198
CWHD6	198	CWSC2120	197	CWSC660	197	CWST436NK	198
CWHD8	198	CWSC2120G	200	CWSC660G	200	CWST448	198
CWHW10	198	CWSC2120GNK	200	CWSC660GNK	200	CWST448NK	198
CWHW10G	200	CWSC2120NK	197	CWSC660NK	197	CWST460	198
CWHW12	198	CWSC212G	200	CWSC672	197	CWST460NK	198
CWHW12G	200	CWSC212GNK	200	CWSC672G	200	CWST472	198
CWHW2	198	CWSC212NK	197	CWSC672GNK	200	CWST472NK	198
CWHW2G	200	CWSC224	197	CWSC672NK	197	CWST496	198
CWHW4	198	CWSC224G	200	CWSC812	197	CWST496NK	198
CWHW4G	200	CWSC224GNK	200	CWSC8120	197	CWST612	198
CWHW6	198	CWSC224NK	197	CWSC8120G	200	CWST6120	198
CWHW6G	200	CWSC236	197	CWSC8120GNK	200	CWST6120NK	198
CWHW8	198	CWSC236G	200	CWSC8120NK	197	CWST612NK	198
CWHW8G	200	CWSC236GNK	200	CWSC812G	200	CWST618NK	198
CWJO10	198	CWSC236NK	197	CWSC812GNK	200	CWST624	198
CWJO12	198	CWSC248	197	CWSC812NK	197	CWST624NK	198
CWJO2	198	CWSC248G	200	CWSC818GNK	200	CWST636	198
CWJO4	198	CWSC248GNK	200	CWSC818NK	197	CWST636NK	198
CWJO6	198	CWSC248NK	197	CWSC824	197	CWST648	198
CWJO8	198	CWSC260	197	CWSC824G	200	CWST648NK	198
CWRD108	198	CWSC260G	200	CWSC824GNK	200	CWST660	198
CWRD108G	200	CWSC260GNK	200	CWSC824NK	197	CWST660NK	198
CWRD1210	198	CWSC260NK	197	CWSC836	197	CWST672	198
CWRD1210G	200	CWSC412	197	CWSC836G	200	CWST672NK	198
CWRD128	198	CWSC4120	197	CWSC836GNK	200	CWST696	198
CWRD128G	NA	CWSC4120G	200	CWSC836NK	197	CWST696NK	198
CWRD42	198	CWSC4120GNK	200	CWSC848	197	CWST812	198
CWRD42G	200	CWSC4120NK	197	CWSC848G	200	CWST8120	198
CWRD64	198	CWSC412G	200	CWSC848GNK	200	CWST8120NK	198
CWRD64G	200	CWSC412GNK	200	CWSC848NK	197	CWST812NK	198
CWRD86	198	CWSC412NK	197	CWSC860	197	CWST818NK	198
CWRD86G	200	CWSC418GNK	200	CWSC860G	200	CWST824	198
CWSC10120GNK	200	CWSC418NK	197	CWSC860GNK	200	CWST824NK	198
CWSC10120NK	197	CWSC424	197	CWSC860NK	197	CWST836	198
CWSC1012GNK	200	CWSC424G	200	CWSC872G	200	CWST836NK	198
CWSC1012NK	197	CWSC424GNK	200	CWSC872GNK	200	CWST848	198
CWSC1024GNK	200	CWSC424NK	197	CWSC872NK	197	CWST848NK	198
CWSC1024NK	197	CWSC436	197	CWST10120NK	198	CWST860	198
CWSC1036GNK	200	CWSC436G	200	CWST1012NK	198	CWST860NK	198
CWSC1036NK	197	CWSC436GNK	200	CWST1024NK	198	CWST872	198
CWSC1048GNK	200	CWSC436NK	197	CWST1036NK	198	CWST872NK	198
CWSC1048NK	197	CWSC448	197	CWST1048NK	198	CWST896	198
CWSC1060GNK	200	CWSC448G	200	CWST1060NK	198	CWST896NK	198
CWSC1060NK	197	CWSC448GNK	200	CWST1072NK	198	CWTF10	198
CWSC1072GNK	200	CWSC448NK	197	CWST1096NK	198	CWTF10G	200
CWSC1072NK	197	CWSC460	197	CWST12120NK	198	CWTF12	198

 Technical references and CAD downloads available at www.hammondmfg.com

All dimensions in inches unless specified otherwise

Part Number Index

Part No.	Page	Part No.	Page	Part No.	Page	Part No.	Page
CWTF12G	200	DNGL	286	DTT6201B115LG	247	EJ12124S16	43
CWTF2	198	DSG1	314	DTT6201B230LG	247	EJ12124SS	43
CWTF2G	200	DSTOPK	320	DTT6201B460LG	247	EJ12126	4
CWTF4	198	DTS3021A115LG	246	DTT6301B115LG	247	EJ12126AL	69
CWTF4G	200	DTS3021A230LG	246	DTT6301B230LG	247	EJ12126LG	4
CWTF6	198	DTS3031A115N3LG	247	DTT6301B460LG	247	EJ12126S16	43
CWTF6G	200	DTS3031A115N4SS	248	DTT6401B115LG	247	EJ12126SS	43
CWTF8	198	DTS3031A230N3LG	247	DTT6401B230LG	247	EJ12146	4
CWTF8G	200	DTS3031A230N4SS	248	DTT6401B460LG	247	EJ12146LG	4
CWTL10	198	DTS3041A115LG	246	DTT6601B460LG	247	EJ1264	4
CWTL10G	200	DTS3041A230LG	246	DTT6801B460LG	247	EJ1264AL	69
CWTL12	198	DTS3041A460LG	246	EB140WT	253	EJ1264LG	4
CWTL12G	200	DTS3061A115N3LG	247	EB160WT	253	EJ1264S16	43
CWTL2	198	DTS3061A230N3LG	247	EB260WT	253	EJ1264SS	43
CWTL2G	200	DTS3061A460N3LG	247	EB440WT	253	EJ14126	4
CWTL4	198	DTS3081A115N4SS	248	EB80WT	253	EJ14126AL	69
CWTL4G	200	DTS3081A230N4SS	248	EB95WT	253	EJ14126LG	4
CWTL6	198	DTS3081A460N4SS	248	ECP12126	165	EJ14126S16	43
CWTL6G	200	DTS3141A115LG	246	ECP12168	165	EJ14126SS	43
CWTL8	198	DTS3141A230LG	246	ECP161610	165	EJ14128	4
CWTL8G	200	DTS3141A460LG	246	ECP162010	165	EJ14128AL	69
DK12GY	319	DTS3141SLA115LG	246	ECP202412	165	EJ14128LG	4
DK12LG	319	DTS3141SLA230LG	246	ECP20246	165	EJ14128S16	43
DK12S16	319	DTS3141SLA460LG	246	ECPH12	165	EJ14128SS	43
DK16GY	319	DTS3145A115LG	246	ECPH16	165	EJ14166	4
DK16LG	319	DTS3145A230LG	246	ECPH20	165	EJ14166LG	4
DK16S16	319	DTS3145A460LG	246	ECPH24	165	EJ1486	4
DK20GY	319	DTS3161A115N3LG	247	ECPP1212	165	EJ1486LG	4
DK20LG	319	DTS3161A230N3LG	247	ECPP1216	165	EJ16106	4
DK20S16	319	DTS3161A460N3LG	247	ECPP1616	165	EJ16106LG	4
DK24GY	319	DTS3161SLA2N3LG	247	ECPP1620	165	EJ161410	4
DK24LG	319	DTS3161SLA4N3LG	247	ECPP2024	165	EJ161410AL	69
DK24S16	319	DTS3165A115N3LG	247	EFGK	293	EJ161410LG	4
DK30GY	319	DTS3165A230N3LG	247	EHLL	290	EJ161410S16	43
DK30LG	319	DTS3165A460N3LG	247	EHLSSAK	290	EJ161410SS	43
DK30S16	319	DTS3181A115N4SS	248	EHLSS	290	EJ16146	4
DK36GY	319	DTS3181A230N4SS	248	EHLNL	290	EJ16146AL	69
DK36LG	319	DTS3181A460N4SS	248	EHLNLSS	290	EJ16146LG	4
DK36S16	319	DTS3181SLA2N4SS	248	EHLPL	290	EJ16146S16	43
DK42GY	319	DTS3181SLA4N4SS	248	EHLPL2	290	EJ16146SS	43
DK42LG	319	DTS3185A115N4SS	248	EHLPLSS	290	EJ16148	4
DK42S16	319	DTS3185A230N4SS	248	EHTL	290	EJ16148AL	69
DK48GY	319	DTS3185A460N4SS	248	EJ10106	4	EJ16148LG	4
DK48LG	319	DTS3241A115LG	246	EJ10106AL	69	EJ16148S16	43
DK48S16	319	DTS3241A230LG	246	EJ10106LG	4	EJ16148SS	43
DK60GY	319	DTS3241A460LG	246	EJ10106S16	43	EJ443	4
DK60LG	319	DTS3245A115LG	246	EJ10106SS	43	EJ443AL	69
DK60S16	319	DTS3245A230LG	246	EJ10125	4	EJ443LG	4
DK72GY	319	DTS3245A460LG	246	EJ10125LG	4	EJ443S16	43
DK72S16	319	DTS3261A115N3LG	247	EJ1084	4	EJ443SS	43
DMS1615	143	DTS3261A230N3LG	247	EJ1084AL	69	EJ444	4
DNFF080BK115	263	DTS3261A460N3LG	247	EJ1084LG	4	EJ444AL	69
DNFF080BK230	263	DTS3265A115N3LG	247	EJ1084S16	43	EJ444LG	4
DNFF080GY115	263	DTS3265A230N3LG	247	EJ1084SS	43	EJ444S16	43
DNFF080GY230	263	DTS3265A460N3LG	247	EJ1086	4	EJ444SS	43
DNFF080LG115	263	DTS3281A115N4SS	248	EJ1086AL	69	EJ643	4
DNFF080LG230	263	DTS3281A230N4SS	248	EJ1086LG	4	EJ643AL	69
DNFF120BK115	263	DTS3281A460N4SS	248	EJ1086S16	43	EJ643LG	4
DNFF120BK230	263	DTS3285A115N4SS	248	EJ1086SS	43	EJ643S16	43
DNFF120GY115	263	DTS3285A230N4SS	248	EJ12105	4	EJ643SS	43
DNFF120GY230	263	DTS3285A460N4SS	248	EJ12105AL	69	EJ644	4
DNFF120LG115	263	DTS3441CA230LG	246	EJ12105LG	4	EJ644AL	69
DNFF120LG230	263	DTS3441CA460LG	246	EJ12105S16	43	EJ644LG	4
DNFF150BK115	263	DTS3461A230N3LG	247	EJ12105SS	43	EJ644S16	43
DNFF150BK230	263	DTS3461A460N3LG	247	EJ12106AL	69	EJ644SS	43
DNFF150GY115	263	DTS3481A230N4SS	248	EJ12106S16	43	EJ664	4
DNFF150GY230	263	DTS3481A460N4SS	248	EJ12106SS	43	EJ664AL	69
DNFF150LG115	263	DTS3641CA230LG	246	EJ12108	4	EJ664LG	4
DNFF150LG230	263	DTS3641CA460LG	246	EJ12108AL	69	EJ664S16	43
DNFF254BK115	263	DTS3661A230N3LG	247	EJ12108LG	4	EJ664SS	43
DNFF254BK230	263	DTS3661A460N3LG	247	EJ12108S16	43	EJ683	4
DNFF254GY115	263	DTS3681A230N4SS	248	EJ12108SS	43	EJ683LG	4
DNFF254GY230	263	DTS3681A460N4SS	248	EJ12124	4	EJ8104	4
DNFF254LG115	263	DTT6101B115LG	247	EJ12124AL	69	EJ8104LG	4
DNFF254LG230	263	DTT6101B230LG	247	EJ12124LG	4	EJ863	4

 Technical references and CAD downloads available at www.hammondmfg.com

All dimensions in inches unless specified otherwise

Quality Products. Service Excellence.

Part Number Index

Part Number Index

Part No.	Page	Part No.	Page	Part No.	Page	Part No.	Page
EJ863AL	69	EN4SD16166S16	47	EN4SD20248LG	15	EN4SD243010LG	15
EJ863LG	4	EN4SD16166SS	47	EN4SD20248SS	48	EN4SD243010S16	48
EJ863S16	43	EN4SD16168GY	15	EN4SD241210GY	15	EN4SD243010SS	48
EJ863SS	43	EN4SD16168LG	15	EN4SD241210LG	15	EN4SD243012GY	16
EJ866	4	EN4SD16168S16	47	EN4SD24126GY	15	EN4SD243012LG	16
EJ866AL	69	EN4SD16168SS	47	EN4SD24126LG	15	EN4SD24308GY	15
EJ866LG	4	EN4SD162010GY	15	EN4SD24128GY	15	EN4SD24308LG	15
EJ866S16	43	EN4SD162010LG	15	EN4SD24128LG	15	EN4SD24308S16	48
EJ866SS	43	EN4SD162010S16	48	EN4SD241610GY	15	EN4SD24308SS	48
EJ884	4	EN4SD162010SS	48	EN4SD241610LG	15	EN4SD30128GY	15
EJ884AL	69	EN4SD16206GY	14	EN4SD241610S16	48	EN4SD30128LG	15
EJ884LG	4	EN4SD16206LG	14	EN4SD241610SS	48	EN4SD30166GY	15
EJ884S16	43	EN4SD16206SS	47	EN4SD24166GY	15	EN4SD30166LG	15
EJ884SS	43	EN4SD16208GY	15	EN4SD24166LG	15	EN4SD30168GY	15
EJPA	286	EN4SD16208LG	15	EN4SD24168GY	15	EN4SD30168LG	15
EJQTR	287	EN4SD16208S16	47	EN4SD24168LG	15	EN4SD302010GY	15
EJSSQTR	287	EN4SD16208SS	47	EN4SD24168S16	48	EN4SD302010LG	15
EJWKL	287	EN4SD20126GY	14	EN4SD24168SS	48	EN4SD302010S16	48
EJWKNL	287	EN4SD20126LG	14	EN4SD242010GY	15	EN4SD302010SS	48
EN4DSC20228GY	108	EN4SD20128GY	15	EN4SD242010LG	15	EN4SD30206GY	15
EN4DSC20228SS	110	EN4SD20128LG	15	EN4SD242010S16	48	EN4SD30206LG	15
EN4DSC24228GY	108	EN4SD201610GY	15	EN4SD242010SS	48	EN4SD30208GY	15
EN4DSC24228SS	110	EN4SD201610LG	15	EN4SD242010SSSWH	54	EN4SD30208LG	15
EN4DSC24268GY	108	EN4SD201610S16	48	EN4SD242010WSS	49	EN4SD30208SS	48
EN4DSC24268SS	110	EN4SD201610SS	48	EN4SD242012GY	16	EN4SD302410GY	15
EN4DSC30268GY	108	EN4SD201610WSS	49	EN4SD242012LG	16	EN4SD302410LG	15
EN4DSC30268SS	110	EN4SD201612GY	16	EN4SD242012WGY	19	EN4SD302410S16	48
EN4DSC36268GY	108	EN4SD201612LG	16	EN4SD242012WLG	19	EN4SD302410SS	48
EN4DSC36268SS	110	EN4SD20166GY	14	EN4SD242016GY	16	EN4SD302410WSS	49
EN4DSC36328GY	108	EN4SD20166LG	14	EN4SD242016LG	16	EN4SD302412GY	16
EN4DSC36328SS	110	EN4SD20166S16	47	EN4SD24206GY	15	EN4SD302412LG	16
EN4DSC423212GY	108	EN4SD20166SS	47	EN4SD24206LG	15	EN4SD302412S16	48
EN4DSC423212SS	110	EN4SD20166WGY	19	EN4SD24206SS	47	EN4SD302412SS	48
EN4DSC423812GY	108	EN4SD20166WLG	19	EN4SD24206WGY	19	EN4SD302412WGY	19
EN4DSC423812SS	110	EN4SD20166WSS	49	EN4SD24206WLG	19	EN4SD302412WLG	19
EN4DSC483812GY	108	EN4SD20168GY	15	EN4SD24208GY	15	EN4SD302412WSS	49
EN4DSC483812SS	110	EN4SD20168LG	15	EN4SD24208LG	15	EN4SD302416GY	16
EN4DSC603812GY	108	EN4SD20168S16	47	EN4SD24208S16	48	EN4SD302416LG	16
EN4DSC603812SS	110	EN4SD20168SS	47	EN4SD24208SS	48	EN4SD302416SS	48
EN4PLUG40	291	EN4SD20168WGY	19	EN4SD24208WGY	19	EN4SD302420GY	16
EN4SD12106GY	14	EN4SD20168WLG	19	EN4SD24208WLG	19	EN4SD302420LG	16
EN4SD12106LG	14	EN4SD20168WSS	49	EN4SD24208WSS	49	EN4SD302420WGY	19
EN4SD12126GY	14	EN4SD202010GY	15	EN4SD242410GY	15	EN4SD302420WLG	19
EN4SD12126LG	14	EN4SD202010LG	15	EN4SD242410LG	15	EN4SD302424GY	16
EN4SD12126S16	47	EN4SD202010S16	48	EN4SD242410S16	48	EN4SD302424LG	16
EN4SD12126SS	47	EN4SD202010SS	48	EN4SD242410SS	48	EN4SD30246GY	15
EN4SD12126WSS	49	EN4SD202010WSS	49	EN4SD242410SSSWH	49	EN4SD30246LG	15
EN4SD12246GY	14	EN4SD202012GY	16	EN4SD242412GY	16	EN4SD30248GY	15
EN4SD12246LG	14	EN4SD202012LG	16	EN4SD242412LG	16	EN4SD30248LG	15
EN4SD12248GY	15	EN4SD202012S16	48	EN4SD242412S16	48	EN4SD30248S16	48
EN4SD12248LG	15	EN4SD202012SS	48	EN4SD242412SS	48	EN4SD30248SS	48
EN4SD161210GY	15	EN4SD202012WGY	19	EN4SD242412SSSWH	54	EN4SD30248SSSWH	54
EN4SD161210LG	15	EN4SD202012WLG	19	EN4SD242412WGY	19	EN4SD30248WGY	19
EN4SD161210S16	48	EN4SD202012WSS	49	EN4SD242412WLG	19	EN4SD30248WLG	19
EN4SD161210SS	48	EN4SD20206GY	14	EN4SD242416GY	16	EN4SD30248WSS	49
EN4SD161210WSS	49	EN4SD20206LG	14	EN4SD242416LG	16	EN4SD303010GY	16
EN4SD16126GY	14	EN4SD20206S16	47	EN4SD242416WGY	19	EN4SD303010LG	16
EN4SD16126LG	14	EN4SD20206SS	47	EN4SD242416WLG	19	EN4SD303010S16	48
EN4SD16126S16	47	EN4SD20206WGY	19	EN4SD242420GY	16	EN4SD303010SS	48
EN4SD16126SS	47	EN4SD20206WLG	19	EN4SD242420LG	16	EN4SD303012GY	16
EN4SD16126WGY	19	EN4SD20206WSS	49	EN4SD242420WGY	19	EN4SD303012LG	16
EN4SD16126WLG	19	EN4SD20208GY	15	EN4SD242420WLG	19	EN4SD303012S16	48
EN4SD16126WSS	49	EN4SD20208LG	15	EN4SD24246GY	15	EN4SD303012SS	48
EN4SD16128GY	15	EN4SD20208S16	47	EN4SD24246LG	15	EN4SD30308GY	15
EN4SD16128LG	15	EN4SD20208SS	47	EN4SD24246WGY	19	EN4SD30308LG	15
EN4SD16128S16	47	EN4SD20208WGY	19	EN4SD24246WLG	19	EN4SD30308S16	48
EN4SD16128SS	47	EN4SD20208WLG	19	EN4SD24248GY	15	EN4SD30308SS	48
EN4SD16128WGY	19	EN4SD20208WSS	49	EN4SD24248LG	15	EN4SD30368GY	15
EN4SD16128WLG	19	EN4SD202410GY	15	EN4SD24248S16	48	EN4SD30368LG	15
EN4SD161610GY	15	EN4SD202410LG	15	EN4SD24248SS	48	EN4SD362410GY	16
EN4SD161610LG	15	EN4SD202410S16	48	EN4SD24248SSSWH	54	EN4SD362410LG	16
EN4SD161610S16	48	EN4SD202410SS	48	EN4SD24248WGY	19	EN4SD362410S16	48
EN4SD161610SS	48	EN4SD20246GY	14	EN4SD24248WLG	19	EN4SD362410SS	48
EN4SD16166GY	14	EN4SD20246LG	14	EN4SD24248WSS	49	EN4SD362412GY	16
EN4SD16166LG	14	EN4SD20248GY	15	EN4SD243010GY	15	EN4SD362412LG	16

 Technical references and CAD downloads available at www.hammondmfg.com

All dimensions in inches unless specified otherwise

Part Number Index

Part No.	Page	Part No.	Page	Part No.	Page	Part No.	Page
EN4SD362412S16	48	EN4SD482410LG	16	EN4TD306012GY	17	EPG3036	296
EN4SD362412SS	48	EN4SD482410S16	48	EN4TD306012LG	17	EPG3042	296
EN4SD362416GY	16	EN4SD482410SS	48	EN4TD364212GY	17	EPG3048	296
EN4SD362416LG	16	EN4SD482412GY	16	EN4TD364212LG	17	EPG3060	296
EN4SD36246GY	15	EN4SD482412LG	16	EN4TD364812GY	17	EPG3624	296
EN4SD36246LG	15	EN4SD48248GY	15	EN4TD364812LG	17	EPG3630	296
EN4SD36248GY	15	EN4SD48248LG	15	EN4TD366012GY	17	EPG3636	296
EN4SD36248LG	15	EN4SD483010GY	16	EN4TD366012LG	17	EPG3642	296
EN4SD36248S16	48	EN4SD483010LG	16	EN4TD484812GY	17	EPG3648	296
EN4SD36248SS	48	EN4SD483016GY	16	EN4TD484812LG	17	EPG3660	296
EN4SD363010GY	16	EN4SD483016LG	16	EP1210	296	EPG4224	296
EN4SD363010LG	16	EN4SD48308GY	15	EP1212	296	EPG4230	296
EN4SD363010S16	48	EN4SD48308LG	15	EP1224	296	EPG4236	296
EN4SD363010SS	48	EN4SD483610GY	16	EP1612	296	EPG4824	296
EN4SD363012GY	16	EN4SD483610LG	16	EP1616	296	EPG4830	296
EN4SD363012LG	16	EN4SD483610S16R	48	EP1620	296	EPG4836	296
EN4SD363012S16	48	EN4SD483610SSR	48	EP2012	296	EPG4848	296
EN4SD363012SS	48	EN4SD483612GY	16	EP2016	296	EPG6036	296
EN4SD363012SSWH	54	EN4SD483612LG	16	EP2020	296	EPG7230	296
EN4SD363016GY	16	EN4SD483612S16R	48	EP2024	296	EPG7236	296
EN4SD363016LG	16	EN4SD483612SSR	48	EP2412	296	EPINSS	288
EN4SD363016SS	48	EN4SD483612SSWH	54	EP2416	296	EQTFG	293
EN4SD363020GY	16	EN4SD483616GY	16	EP2420	296	EQTRL	287
EN4SD363020LG	16	EN4SD483616LG	16	EP2424	296	ERP2424	307
EN4SD36306GY	15	EN4SD483616S16R	48	EP2430	296	ERP3024	307
EN4SD36306LG	15	EN4SD483616SSR	48	EP2442	296	ERP3624	307
EN4SD36308GY	15	EN4SD483616SSWH	54	EP2448	296	ES16MFHD	291
EN4SD36308LG	15	EN4SD483620GY	16	EP3012	296	ESF2424	305
EN4SD36308S16	48	EN4SD483620LG	16	EP3016	296	ESF3024	305
EN4SD36308SS	48	EN4SD48368GY	15	EP3020	296	ESF3624	305
EN4SD363610GY	16	EN4SD48368LG	15	EP3024	296	ESP1212	304
EN4SD363610LG	16	EN4SD48368SSR	48	EP3030	296	ESP1612	304
EN4SD363610S16R	48	EN4SD603610GY	16	EP3036	296	ESP1616	304
EN4SD363610SSR	48	EN4SD603610LG	16	EP3042	296	ESP1620	304
EN4SD363612GY	16	EN4SD603610S16R	48	EP3048	296	ESP2016	304
EN4SD363612LG	16	EN4SD603610SSR	48	EP3060	296	ESP2020	304
EN4SD363612S16R	48	EN4SD603612GY	16	EP3624	296	ESP2024	304
EN4SD363612SSR	48	EN4SD603612LG	16	EP3630	296	ESP2416	304
EN4SD363612SSWH	54	EN4SD603612S16R	48	EP3636	296	ESP2420	304
EN4SD363616GY	16	EN4SD603612SSR	48	EP3642	296	ESP2424	304
EN4SD363616LG	16	EN4SD603612SSWH	54	EP3648	296	ESP3020	304
EN4SD36368GY	15	EN4SD603616GY	16	EP3660	296	ESP3024	304
EN4SD36368LG	15	EN4SD603616LG	16	EP4224	296	ESP3030	304
EN4SD422410GY	16	EN4SD603620GY	16	EP4230	296	ESP3624	304
EN4SD422410LG	16	EN4SD603620LG	16	EP4236	296	ESP3630	304
EN4SD422412GY	16	EN4SD60368GY	15	EP4824	296	ESP3636	304
EN4SD422412LG	16	EN4SD60368LG	15	EP4830	296	ESP4236	304
EN4SD422416GY	16	EN4SD723012GY	16	EP4836	296	ESP4824	304
EN4SD422416LG	16	EN4SD723012LG	16	EP4848	296	ESP4836	304
EN4SD42248GY	15	EN4SD723016GY	16	EP6036	296	ESP6030	304
EN4SD42248LG	15	EN4SD723016LG	16	EP7230	296	ESP6036	304
EN4SD423010GY	16	EN4SD723020GY	16	EP7236	296	ESSMFHD	291
EN4SD423010LG	16	EN4SD723020LG	16	EPA	286	EZPMFHD	291
EN4SD423010SSR	48	EN4SD723024GY	16	EPG1210	296	F1868	294
EN4SD423012GY	16	EN4SD723024LG	16	EPG1212	296	F2068	294
EN4SD423012LG	16	EN4SD723612GY	16	EPG1224	296	FDS1	313
EN4SD423016GY	16	EN4SD723612LG	16	EPG1612	296	FDS1212GY	324
EN4SD423016LG	16	EN4SD723612S16R	48	EPG1616	296	FDS1212LG	324
EN4SD42308GY	15	EN4SD723612SSR	48	EPG1620	296	FDS1212S16	324
EN4SD42308LG	15	EN4SD723616GY	16	EPG2012	296	FDS1818GY	324
EN4SD423610GY	16	EN4SD723616LG	16	EPG2016	296	FDS1818LG	324
EN4SD423610LG	16	EN4TD244210GY	17	EPG2020	296	FDS1818S16	324
EN4SD423610S16R	48	EN4TD244210LG	17	EPG2024	296	FDS2424GY	324
EN4SD423610SSR	48	EN4TD24428GY	17	EPG2412	296	FDS2424LG	324
EN4SD423612GY	16	EN4TD24428LG	17	EPG2416	296	FDS2424S16	324
EN4SD423612LG	16	EN4TD24488GY	17	EPG2420	296	FKIT316ST12	323
EN4SD423612S16R	48	EN4TD24488LG	17	EPG2424	296	FLHTF125A115	269
EN4SD423612SSR	48	EN4TD304210GY	17	EPG2430	296	FLHTF125A230	269
EN4SD423612SSWH	54	EN4TD304210LG	17	EPG2442	296	FLHTF1300A115	269
EN4SD423616GY	16	EN4TD304810GY	17	EPG2448	296	FLHTF1300A230	269
EN4SD423616LG	16	EN4TD304810LG	17	EPG3012	296	FLHTF200A115	269
EN4SD42368GY	15	EN4TD30488GY	17	EPG3016	296	FLHTF200A230	269
EN4SD42368LG	15	EN4TD30488LG	17	EPG3020	296	FLHTF400A115	269
EN4SD42368SSR	48	EN4TD306010GY	17	EPG3024	296	FLHTF400A230	269
EN4SD482410GY	16	EN4TD306010LG	17	EPG3030	296	FLHTF800A115	269

Technical references and CAD downloads available at www.hammondmfg.com

All dimensions in inches unless specified otherwise

Quality Products. Service Excellence.

Part Number Index

Part Number Index

Part No.	Page	Part No.	Page	Part No.	Page	Part No.	Page
FLHTF800A230	269	HCT483011H	241	HJ443LP	7	HMEHLNL	147
FLK10LED	312	HCT483611H	241	HJ444HLP	10	HMEHSKL	147
FLK15LED	312	HCT484814H	241	HJ444LP	7	HMEHSKLPL	147
FLK17LED	312	HFMD14105	133	HJ643HLP	10	HMEIPMTG	141
FLK18LENSE	312	HFMD1485	133	HJ643LP	7	HMEJK	137
FLK18MM	312	HFMD1685	133	HJ644HLP	10	HMELA2	139
FLK18T8	312	HFMD1686	133	HJ644LP	7	HMENLINS	145
FLK24LENSE	312	HFMD18105	133	HJ664HLP	10	HMEP1410	141
FLK24T8	312	HFMD1884	133	HJ664LP	7	HMEP1412	141
FLK48LENSE	312	HFMD1885	133	HJ683HLP	10	HMEP146	144
FLK48MM	312	HFMD20105	133	HJ8104HLP	10	HMEP148	144
FLK48T8	312	HFMD20106	133	HJ863HLP	10	HMEP1612	141
FLK5LED	312	HFMD2085	133	HJ863LP	7	HMEP166	144
FLK7LED	312	HFMD2086	133	HJ866HLP	10	HMEP168	144
FLKDS	313	HFMD2088	133	HJ884HLP	10	HMEP1810	141
FLMTGBRK	147	HFMD22105	133	HLF4	136	HMEP1812	141
FP3F115	268	HFMD2286	133	HLP4UR	307	HMEP1816	141
FP3F230	268	HFMDT18164	135	HLP6UR	307	HMEP1818	141
FT300HA1220BK	267	HFMDT18165	135	HLP8UR	307	HMEP186	144
FT300HA1BK	267	HFMDT18184	135	HME1465	129	HMEP188	144
FT300TA1220BK	267	HFMDT18185	135	HME1466	129	HMEP2010	141
FT300TA1BK	267	HFMDT18186	135	HME1468	129	HMEP2012	141
FT600HA1220BK	267	HFMDT20165	135	HME1485	129	HMEP2016	141
FT600HA1BK	267	HFMDT20166	135	HME1486	129	HMEP2018	141
FT600TA1220BK	267	HFMDT20168	135	HME1488	129	HMEP204	141
FT600TA1BK	267	HFMDT20185	135	HME1665	129	HMEP206	144
FT900HA1220BK	267	HGD14	140	HME1666	129	HMEP208	144
FT900HA1BK	267	HGD15	140	HME1668	129	HMEP2210	141
FT900TA1220BK	267	HGD16	140	HME1685	129	HMEP2212	141
FT900TA1BK	267	HGD18	140	HME1686	129	HMEP224	141
GP063GY	314	HGD34	140	HME1688	129	HMEP226	144
GP063LG	314	HGD35	140	HME18104	129	HMEP228	144
GP134GY	314	HGD36	140	HME18105	129	HMEPB14	143
GP134LG	314	HGD38	140	HME18106	129	HMEPB16	143
GP136GY	314	HGDSR10	140	HME18108	129	HMEPB18	143
GP136LG	314	HGDSR4	140	HME1864	129	HMEPB20	143
GP1507GY	315	HGDSR5	140	HME1865	129	HMEPB22	143
GP1507LG	315	HGDSR6	140	HME1866	129	HMEPRS1000	141
GP1507S16	315	HGDSR8	140	HME1868	129	HMEPRS1200	141
GP216GY	314	HGDSR9	140	HME1884	129	HMEPRS1600	141
GP216LG	314	HGS3	139	HME1885	129	HMEPRS1800	141
GP2207GY	315	HGV115	140	HME1886	129	HMEPRS800	141
GP2207LG	315	HGV135	140	HME1888	129	HMESLCP1	145
GP2207S16	315	HGV155	140	HME20105	129	HMESQI7	145
GRDBAR19	146	HGV175	140	HME20106	129	HMESQI8	145
GRDBAR23	146	HGV195	140	HME20108	129	HMESQK8	145
GRDBAR600	146	HGV35	140	HME2064	129	HMESWF166	144
GRDBAR800	146	HGV55	140	HME2065	129	HMESWF168	144
GRDBARV14	146	HGV75	140	HME2066	129	HMESWF186	144
GRDBARV16	146	HGV95	140	HME2068	129	HMESWF188	144
GRDBARV18	146	HIPSPK	141	HME2084	129	HMESWF206	144
GRDBARV20	146	HJ10106HLP	10	HME2085	129	HMESWF208	144
GRDBARV22	146	HJ10125HLP	10	HME2086	129	HMESWF226	144
GRDKIT01	286	HJ1084HLP	10	HME2088	129	HMESWF228	144
GRDKIT02	286	HJ1084LP	7	HME22105	129	HMESWK4	144
GRDKIT03	286	HJ1086HLP	10	HME22106	129	HMESWK5	144
GRDKIT04	286	HJ12105HLP	10	HME2265	129	HMESWK6	144
GRDKIT05	286	HJ12105LP	7	HME2266	129	HMESWK8	144
GRDT375	287	HJ12108HLP	10	HME2285	129	HMET14125	131
HAK19800	145	HJ12126HLP	10	HME2286	129	HMET14126	131
HB2160A	268	HJ12146HLP	10	HME2288	129	HMET14128	131
HB2UFILTER	268	HJ1264HLP	10	HMEDBPI	145	HMET16125	131
HB3250A	268	HJ14126HLP	10	HMEDBPK	145	HMET16126	131
HB3UFILTER	268	HJ14126LP	7	HMEDSTOPK01	147	HMET16128	131
HB4500A	268	HJ14128HLP	10	HMEDW146	138	HMET18104	131
HB4UFILTER	268	HJ14128LP	7	HMEDW148	138	HMET18124	131
HCR16SZPL	145	HJ14166HLP	10	HMEDW166	138	HMET18125	131
HCR18SZPL	145	HJ1486HLP	10	HMEDW168	138	HMET18126	131
HCR20SZPL	145	HJ16106HLP	10	HMEDW186	138	HMET18128	131
HCR22SZPL	145	HJ161410HLP	10	HMEDW188	138	HMET18164	131
HCT302411H	241	HJ161410LP	7	HMEDW206	138	HMET18165	131
HCT362011H	241	HJ16146HLP	10	HMEDW208	138	HMET18166	131
HCT363011H	241	HJ16146LP	7	HMEDW226	138	HMET18168	131
HCT363611H	241	HJ16148HLP	10	HMEDW228	138	HMET18184	131
HCT482411H	241	HJ443HLP	10	HMEHLKL	147	HMET18185	131

 Technical references and CAD downloads available at www.hammondmfg.com

All dimensions in inches unless specified otherwise

Part Number Index

Part No.	Page	Part No.	Page	Part No.	Page	Part No.	Page
HMET18186	131	HN4FS723124	37	HN4WM364212SS	55	HP75SS	288
HMET18188	131	HN4FS723618S16	64	HN4WM364812GY	28	HP75SSN4	289
HMET1885	131	HN4FS723618SS	64	HN4WM364812S16	55	HPB	288
HMET1886	131	HN4FS723624DASS	64	HN4WM364812SS	55	HPB1105	136
HMET20105	131	HN4FS723624DS16	64	HN4WM366012GY	28	HPB1125	136
HMET20106	131	HN4FS723624S16	64	HN4WM366012S16	55	HPB1165	136
HMET20124	131	HN4FS723624SS	64	HN4WM366012SS	55	HPB165	136
HMET20125	131	HN4FS723630S16	64	HN4WM424212GY	28	HPB185	136
HMET20126	131	HN4FS723630SS	64	HN4WM424212S16	55	HPBLG	288
HMET20128	131	HN4FS723636DASS	64	HN4WM424212SS	55	HPBSS	288
HMET20165	131	HN4FS723636DS16	64	HN4WM424812GY	28	HPBSSN4	289
HMET20166	131	HN4FS723636S16	64	HN4WM424812S16	55	HPLD14	136
HMET20168	131	HN4FS723636SS	64	HN4WM424812SS	55	HPLD15	136
HMET20185	131	HN4FS723724	37	HN4WM426012GY	28	HPLD16	136
HMET20186	131	HN4FS724818	39	HN4WM426012S16	55	HPLD18	136
HMET20188	131	HN4FS724818SS	66	HN4WM426012SS	55	HPLD24	136
HMET22106	131	HN4FS724824	39	HN4WM484812GY	28	HPLD25	136
HMET22125	131	HN4FS724824DA	39	HN4WM484812S16	55	HPLD26	136
HMET22126	131	HN4FS724824DASS	66	HN4WM484812SS	55	HPLD28	136
HMETRI6	145	HN4FS724824SS	66	HP100	288	HPLW110	136
HMETRI7	145	HN4FS726018	39	HP100LG	288	HPLW112	136
HMETRI8	145	HN4FS726018SS	66	HP100PCGY	289	HPLW116	136
HMETRK6	145	HN4FS726024	39	HP100PCLG	289	HPLW118	136
HMETRK8	145	HN4FS726024DA	39	HP100SS	288	HPLW14	136
HMIK	143	HN4FS726024DASS	66	HP100SSN4	289	HPLW16	136
HN4FM604810	32	HN4FS726024SS	66	HP125	288	HPLW18	136
HN4FM604812S16	61	HN4FS726036	39	HP125LG	288	HPLW210	136
HN4FM604812SS	61	HN4FS726036DA	39	HP125PCGY	289	HPLW212	136
HN4FM604818	32	HN4FS726036DASS	66	HP125PCLG	289	HPLW216	136
HN4FM604818S16	61	HN4FS726036SS	66	HP125SS	288	HPLW218	136
HN4FM604818SS	61	HN4FS727218	39	HP125SSN4	289	HPLW24	136
HN4FM606012	32	HN4FS727218SS	66	HP12PCGY	289	HPLW26	136
HN4FM606012S16	61	HN4FS727224	39	HP12PCLG	289	HPLW28	136
HN4FM606012SS	61	HN4FS727224DA	39	HP150	288	HPR16SZPL	145
HN4FM606018	32	HN4FS727224DASS	66	HP150LG	288	HPR18SZPL	145
HN4FM606018S16	61	HN4FS727224SS	66	HP150PCGY	289	HPR20SZPL	145
HN4FM606018SS	61	HN4FS902420S16	64	HP150PCLG	289	HPR22SZPL	145
HN4FM726012	32	HN4FS902420SS	64	HP150SS	288	HSBP145	142
HN4FM726012S16	61	HN4FS903620S16	64	HP150SSN4	289	HSBP146	142
HN4FM726012SS	61	HN4FS903620SS	64	HP200	288	HSBP148	142
HN4FM726018	32	HN4FS903624DASS	64	HP200LG	288	HSBP165	142
HN4FM726018S16	61	HN4FS903624DS16	64	HP200PCGY	289	HSBP166	142
HN4FM726018SS	61	HN4FS903624S16	64	HP200PCLG	289	HSBP168	142
HN4FM727212	32	HN4FS903624SS	64	HP200SS	288	HSBP184	142
HN4FM727212S16	61	HN4FS903636DASS	64	HP200SSN4	289	HSBP185	142
HN4FM727212SS	61	HN4FS903636DS16	64	HP22	288	HSBP186	142
HN4FM727218	32	HN4FS903636S16	64	HP22LG	288	HSBP188	142
HN4FM727218S16	61	HN4FS903636SS	64	HP22SS	288	HSBP204	142
HN4FM727218SS	61	HN4FS904820	39	HP22SSN4	289	HSBP205	142
HN4FM727224	32	HN4FS904820SS	66	HP250	288	HSBP206	142
HN4FM727224S16	61	HN4FS907220	39	HP250LG	288	HSBP208	142
HN4FM727224SS	61	HN4FS907220SS	66	HP250PCGY	289	HSBP225	142
HN4FS602418S16	64	HN4FS907224	39	HP250PCLG	289	HSBP226	142
HN4FS602418SS	64	HN4FS907224DA	39	HP300	288	HSBP228	142
HN4FS603624S16	64	HN4FS907224DASS	66	HP300LG	288	HSCRD	143
HN4FS603624SS	64	HN4FS907224SS	66	HP300PCGY	289	HSIK	143
HN4FS604818	39	HN4FS907236	39	HP300PCLG	289	HSIP145	142
HN4FS604818SS	66	HN4FS907236SS	66	HP350	288	HSIP146	142
HN4FS722418S16	64	HN4WM24428GY	28	HP350LG	288	HSIP148	142
HN4FS722418SS	64	HN4WM24428S16	55	HP350PCGY	289	HSIP165	142
HN4FS722424DASS	64	HN4WM24428SS	55	HP350PCLG	289	HSIP166	142
HN4FS722424DS16	64	HN4WM24488GY	28	HP400	288	HSIP168	142
HN4FS722424S16	64	HN4WM24488S16	55	HP400LG	288	HSIP184	142
HN4FS722424SS	64	HN4WM24488SS	55	HP400PCGY	289	HSIP185	142
HN4FS722430DASS	64	HN4WM304210GY	28	HP400PCLG	289	HSIP186	142
HN4FS722430DS16	64	HN4WM304210S16	55	HP50	288	HSIP188	142
HN4FS722436DASS	64	HN4WM304210SS	55	HP50LG	288	HSIP204	142
HN4FS722436DS16	64	HN4WM304810GY	28	HP50PCGY	289	HSIP205	142
HN4FS722518	37	HN4WM304810S16	55	HP50PCLG	289	HSIP206	142
HN4FS723018S16	64	HN4WM304810SS	55	HP50SS	288	HSIP208	142
HN4FS723018SS	64	HN4WM306010GY	28	HP50SSN4	289	HSIP225	142
HN4FS723024DASS	64	HN4WM306010S16	55	HP75	288	HSIP226	142
HN4FS723024DS16	64	HN4WM306010SS	55	HP75LG	288	HSIP228	142
HN4FS723024S16	64	HN4WM364212GY	28	HP75PCGY	289	HSP145	137
HN4FS723024SS	64	HN4WM364212S16	55	HP75PCLG	289	HSP146	137

 Technical references and CAD downloads available at www.hammondmfg.com

All dimensions in inches unless specified otherwise

Quality Products. Service Excellence.

Part Number Index

Part Number Index

Part No.	Page	Part No.	Page	Part No.	Page	Part No.	Page
HSP148	137	HW302412S16HK	53	HWST24248S16	57	MHK3SS	284
HSP165	137	HW302412SSHK	53	HWST24248SS	57	MHKD1	284
HSP166	137	HW302416GYHK	27	HWST302412S16	57	MHKD1SS	284
HSP168	137	HW302416S16HK	53	HWST302412SS	57	MHKD2	284
HSP184	137	HW302416SSHK	53	HWST30248S16	57	MHKD2SS	284
HSP185	137	HW30248GYHK	27	HWST30248SS	57	MHKD3	284
HSP186	137	HW30248S16HK	53	HWST30308S16	57	MHKD3SS	284
HSP188	137	HW30248SSHK	53	HWST30308SS	57	MHKL1	284
HSP204	137	HW30308GYHK	27	HWST363012S16	57	MHKL1SS	284
HSP205	137	HW30308S16HK	53	HWST363012SS	57	MHKL2	284
HSP206	137	HW30308SSHK	53	HWST363016S16	57	MHKL2SS	284
HSP208	137	HW362410GYHK	27	HWST363016SS	57	MHKL3	284
HSP225	137	HW362410S16HK	53	HWST36308S16	57	MHKL3SS	284
HSP226	137	HW362410SSHK	53	HWST36308SS	57	MIKIT	294
HSP228	137	HW36248GYHK	27	HWST363612S16	57	MPB1	172
HTCM106	138	HW36248S16HK	53	HWST363612SS	57	MPB12	172
HTCM126	138	HW36248SSHK	53	HWST483612SS	57	MPB12LG	172
HTCM3106	138	HW363010GYHK	27	HWST483616S16	57	MPB1LG	172
HTCM3126	138	HW363010S16HK	53	HWST483616SS	57	MPB2	172
HTCM346	138	HW363010SSHK	53	HWST603612SS	57	MPB2LG	172
HTCM366	138	HW363012GYHK	27	HWST603616S16	57	MPB3	172
HTCM386	138	HW363012S16HK	53	HWST603616SS	57	MPB3LG	172
HTCM46	138	HW363012SSHK	53	HYG105	179	MPB4	172
HTCM66	138	HW363016GYHK	27	HYG107	46	MPB4LG	172
HTCM86	138	HW363016S16HK	53	HYG125	179	MPB6	172
HTCMS36	138	HW363016SSHK	53	HYG129	46	MPB6LG	172
HTCMS6	138	HW36308GYHK	27	HYG1411	46	MPB9	172
HTH124818	326	HW36308S16HK	53	HYG1613	46	MPB9LG	172
HTH124820	326	HW36308SSHK	53	HYG85	46	N1A16127	220
HTH124824	326	HW363612GYHK	27	HYJ1074SS	46	N1A16129	220
HTH126018	326	HW363612S16HK	53	HYJ1294SS	46	N1A16167	220
HTH126020	326	HW363612SSHK	53	HYJ14116SS	46	N1A16207	220
HTH126024	326	HW423010GYHK	27	HYJ16138SS	46	N1A20167	220
HTH126036	326	HW423010S16HK	53	HYJ854SS	46	N1A20169	220
HTH127218	326	HW423010SSHK	53	HYMPB1SS	179	N1A20207	220
HTH127220	326	HW423612GYHK	27	HYMPB2SS	179	N1A20209	220
HTH127224	326	HW423612S16HK	53	HYMPB3SS	179	N1A20249	220
HTH127236	326	HW423612SSHK	53	HYMPB4SS	179	N1A24167	220
HVPCI-101	328	HW42368GYHK	27	HYMPB4VSS	179	N1A242012	220
HVPCI-105	328	HW42368S16HK	53	HYMPB6SS	179	N1A24207	220
HVPCI-111	328	HW42368SSHK	53	HYPB1SS	179	N1A24209	220
HVPCI-150	328	HW483610GYHK	27	HYPB2SS	179	N1A242412	220
HVPCI-170	328	HW483610S16HK	53	HYPB3SS	179	N1A24247	220
HVPCI-238	328	HW483610SSHK	53	HYPB4SS	179	N1A24249	220
HW24168GYHK	27	HW483612GYHK	27	HYPB4VSS	179	N1A30207	220
HW24168S16HK	53	HW483612S16HK	53	HYPB6SS	179	N1A30209	220
HW24168SSHK	53	HW483612SSHK	53	ISPTPKIT	137	N1A302412	220
HW242010GYHK	27	HW483616GYHK	27	KVDTX	278	N1A30247	220
HW242010S16HK	53	HW483616S16HK	53	LCMTG1032	NA	N1A30249	220
HW242010SSHK	53	HW483616SSHK	53	LEDACCORCON	NA	N1A30309	220
HW24206GYHK	27	HW48368GYHK	27	LEDACCORPOW	NA	N1A36247	220
HW24206S16HK	53	HW48368S16HK	53	LEDACMSMAG	313	N1A36249	220
HW24206SSHK	53	HW48368SSHK	53	LEDACMSSCR	313	N1A363012	220
HW24208GYHK	27	HW603612GYHK	27	LEDACSWMAG	313	N1A36307	220
HW24208S16HK	53	HW603612S16HK	53	LEDACSWSCR	313	N1A36309	220
HW24208SSHK	53	HW603612SSHK	53	LEDDCCORCON	NA	N1A42249	220
HW242412GYHK	27	HW603616GYHK	27	LEDDCCORPOW	NA	N1A423012	220
HW242412S16HK	53	HW603616S16HK	53	LEDDCMSMAG	313	N1A423612	220
HW242412SSHK	53	HW603616SSHK	53	LEDDCMSSCR	313	N1A483612	220
HW24246GYHK	27	HWST16128S16	57	LEDDCSWMAG	313	N1J10104	217
HW24246S16HK	53	HWST16128SS	57	LEDDCSWSCR	313	N1J10106	217
HW24246SSHK	53	HWST16168S16	57	LFK1110	274	N1J1084	217
HW24248GYHK	27	HWST16168SS	57	LFK1510	274	N1J1086	217
HW24248S16HK	53	HWST201612S16	57	LFK55	274	N1J12104	217
HW24248SSHK	53	HWST201612SS	57	LFK56	274	N1J12106	217
HW24308GYHK	27	HWST20168S16	57	LFK610	274	N1J12124	217
HW24308S16HK	53	HWST20168SS	57	LFK66	274	N1J12126	217
HW24308SSHK	53	HWST202012S16	57	LFK68	274	N1J12128	217
HW30208GYHK	27	HWST202012SS	57	LFK810	274	N1J14124	217
HW30208S16HK	53	HWST20208S16	57	LFK88	274	N1J14126	217
HW30208SSHK	53	HWST20208SS	57	MHK1	284	N1J14128	217
HW302410GYHK	27	HWST24208S16	57	MHK1SS	284	N1J16126	217
HW302410S16HK	53	HWST24208SS	57	MHK2	284	N1J20126	217
HW302410SSHK	53	HWST242412S16	57	MHK2SS	284	N1J664	217
HW302412GYHK	27	HWST242412SS	57	MHK3	284	N1J864	217

 Technical references and CAD downloads available at www.hammondmfg.com

All dimensions in inches unless specified otherwise

Part Number Index

Part No.	Page	Part No.	Page	Part No.	Page	Part No.	Page
N1J884	217	PCJ1082CCF	96	PCJ12126CC	96	PCJ664CCHF	97
N1J886	217	PCJ1082CCH	97	PCJ12126CCF	96	PCJ664CCL	99
N1JLK	284	PCJ1082CCHF	97	PCJ12126CCH	97	PCJ664CCLF	99
N1JP1010	298	PCJ1082CCL	99	PCJ12126CCHF	97	PCJ664CCNL	98
N1JP1010PP	301	PCJ1082CCLF	99	PCJ12126CCL	99	PCJ664CCNLF	98
N1JP108	298	PCJ1082F	96	PCJ12126CCLF	99	PCJ664F	96
N1JP108PP	301	PCJ1082H	97	PCJ12126CCNL	98	PCJ664H	97
N1JP1210	298	PCJ1082HF	97	PCJ12126CCNLF	98	PCJ664HF	97
N1JP1210PP	301	PCJ1082L	99	PCJ12126F	96	PCJ664L	99
N1JP1212	298	PCJ1082LF	99	PCJ12126H	97	PCJ664LF	99
N1JP1212PP	301	PCJ1084	96	PCJ12126HF	97	PCJ664NL	98
N1JP1412	298	PCJ1084CC	96	PCJ12126L	99	PCJ664NLF	98
N1JP1412PP	301	PCJ1084CCF	96	PCJ12126LF	99	PCJ864	96
N1JP1612	298	PCJ1084CCH	97	PCJ12126NL	98	PCJ864CC	96
N1JP1612PP	301	PCJ1084CCHF	97	PCJ12126NLF	98	PCJ864CCF	96
N1JP2012	298	PCJ1084CCL	99	PCJ14126	96	PCJ864CCH	97
N1JP2012PP	301	PCJ1084CCLF	99	PCJ14126CC	96	PCJ864CCHF	97
N1JP64	298	PCJ1084CCNL	98	PCJ14126CCF	96	PCJ864CCL	99
N1JP66	298	PCJ1084CCNLF	98	PCJ14126CCH	97	PCJ864CCLF	99
N1JP66PP	301	PCJ1084F	96	PCJ14126CCHF	97	PCJ864CCNL	98
N1JP86	298	PCJ1084H	97	PCJ14126CCL	99	PCJ864CCNLF	98
N1JP86PP	301	PCJ1084HF	97	PCJ14126CCLF	99	PCJ864F	96
N1JP88	298	PCJ1084L	99	PCJ14126CCNL	98	PCJ864H	97
N1JP88PP	301	PCJ1084LF	99	PCJ14126CCNLF	98	PCJ864HF	97
N1WF1084	219	PCJ1084NL	98	PCJ14126F	96	PCJ864L	99
N1WF12104	219	PCJ1084NLF	98	PCJ14126H	97	PCJ864LF	99
N1WF16124	219	PCJ1086	96	PCJ14126HF	97	PCJ864NL	98
N1WF20164	219	PCJ1086CC	96	PCJ14126L	99	PCJ864NLF	98
N1WF24204	219	PCJ1086CCF	96	PCJ14126LF	99	PCJ884	96
N1WF864	219	PCJ1086CCH	97	PCJ14126NL	98	PCJ884CC	96
N1WS1084	218	PCJ1086CCHF	97	PCJ14126NLF	98	PCJ884CCF	96
N1WS1086	218	PCJ1086CCL	99	PCJ16148	96	PCJ884CCH	97
N1WS1088	218	PCJ1086CCLF	99	PCJ16148CC	96	PCJ884CCHF	97
N1WS12104	218	PCJ1086CCNL	98	PCJ16148CCF	96	PCJ884CCL	99
N1WS12106	218	PCJ1086CCNLF	98	PCJ16148CCH	97	PCJ884CCLF	99
N1WS12108	218	PCJ1086F	96	PCJ16148CCHF	97	PCJ884CCNL	98
N1WS16124	218	PCJ1086H	97	PCJ16148CCL	99	PCJ884CCNLF	98
N1WS16126	218	PCJ1086HF	97	PCJ16148CCLF	99	PCJ884F	96
N1WS16128	218	PCJ1086L	99	PCJ16148CCNL	98	PCJ884H	97
N1WS20164	218	PCJ1086LF	99	PCJ16148CCNLF	98	PCJ884HF	97
N1WS20166	218	PCJ1086NL	98	PCJ16148F	96	PCJ884L	99
N1WS20168	218	PCJ1086NLF	98	PCJ16148H	97	PCJ884LF	99
N1WS24204	218	PCJ12104	96	PCJ16148HF	97	PCJ884NL	98
N1WS24206	218	PCJ12104CC	96	PCJ16148L	99	PCJ884NLF	98
N1WS24208	218	PCJ12104CCF	96	PCJ16148LF	99	PCJA0505	298
N1WS864	218	PCJ12104CCH	97	PCJ16148NL	98	PCJA0705	298
N1WS866	218	PCJ12104CCHF	97	PCJ16148NLF	98	PCJA0808	298
N1WS868	218	PCJ12104CCL	99	PCJ181610	96	PCJA0907	298
P1868	298	PCJ12104CCLF	99	PCJ181610CC	96	PCJA1109	298
P2068	294	PCJ12104CCNL	98	PCJ181610CCF	96	PCJA1111	298
PBR50BC	317	PCJ12104CCNLF	98	PCJ181610CCH	97	PCJA1311	298
PBR50BG	317	PCJ12104F	96	PCJ181610CCHF	97	PCJCB4	305
PBR50BLGR24V	317	PCJ12104H	97	PCJ181610CCL	99	PCJCB4L	305
PBR50BLRE24V	317	PCJ12104HF	97	PCJ181610CCLF	99	PCJHFFH	305
PBR50BLYE24V	317	PCJ12104L	99	PCJ181610CCNL	98	PCJHFFP108	305
PBR50CLAM	317	PCJ12104LF	99	PCJ181610CCNLF	98	PCJHFFP1210	305
PBR50CLBL	317	PCJ12104NL	98	PCJ181610F	96	PCJHFFP1412	305
PBR50CLCL	317	PCJ12104NLF	98	PCJ181610H	97	PCJHFFP1614	305
PBR50CLGR	317	PCJ12106	96	PCJ181610HF	97	PCJHFFP1816	305
PBR50CLRE	317	PCJ12106CC	96	PCJ181610L	99	PCJHFFP66	305
PBR50CLYE	317	PCJ12106CCF	96	PCJ181610LF	99	PCJHFFP86	305
PBR50L115	317	PCJ12106CCH	97	PCJ181610NL	98	PCJHFFP88	305
PBR50L24	317	PCJ12106CCHF	97	PCJ181610NLF	98	PCJHINGECLIP	293
PBR50LED115	317	PCJ12106CCL	99	PCJ443	96	PCJLLPNH	293
PBR50LED24	317	PCJ12106CCLF	99	PCJ443CC	96	PCJLLPSH	293
PBR50LS	317	PCJ12106CCNL	98	PCJ443CCL	99	PCJLTPSH	293
PBR50MG	317	PCJ12106CCNLF	98	PCJ443CCNL	98	PCJR0303	96
PBR50S100	317	PCJ12106F	96	PCJ443CH	97	PCJR0505	298
PBR50S250	317	PCJ12106H	97	PCJ443H	97	PCJR0705	298
PBR50T100	317	PCJ12106HF	97	PCJ443L	99	PCJR0808	298
PBR50T250	317	PCJ12106L	99	PCJ443NL	98	PCJR0907	298
PBR50T400	317	PCJ12106LF	99	PCJ664	96	PCJR1109	298
PBR50TG	317	PCJ12106NL	98	PCJ664CC	96	PCJR1111	298
PCJ1082	96	PCJ12106NLF	98	PCJ664CCF	96	PCJR1311	298
PCJ1082CC	96	PCJ12126	96	PCJ664CCH	97	PF11000T12BK	254

 Technical references and CAD downloads available at www.hammondmfg.com

All dimensions in inches unless specified otherwise

Quality Products. Service Excellence.

Part Number Index

Part Number Index

Part No.	Page	Part No.	Page	Part No.	Page	Part No.	Page
PF11000T12BK230	254	PF66000T3RBK	259	PJ1084P9	182	PJ12126RL	89
PF11000T12BK24	254	PF66000T3RBK230	259	PJ1084R	88	PJ12126RLW	89
PF11000T12LG	254	PF66000T3RBK460	259	PJ1084RH	88	PJ12126RT	90
PF11000T12LG230	254	PF66000T3RLG	259	PJ1084RHW	88	PJ12126RTW	90
PF11000T12LG24	254	PF66000T3RLG230	259	PJ1084RL	89	PJ12126RW	88
PF22000T12BK	254	PF66000T3RLG460	259	PJ1084RLW	89	PJ12126T	86
PF22000T12BK230	254	PF67000T12BK	257	PJ1084RT	90	PJ12126TW	87
PF22000T12BK24	254	PF67000T12BK230	257	PJ1084RTW	90	PJ12126W	87
PF22000T12LG	254	PF67000T12BK460	257	PJ1084RW	88	PJ14126	85
PF22000T12LG230	254	PF67000T12BKSL	258	PJ1084T	86	PJ14126H	85
PF22000T12LG24	254	PF67000T12BKSL2	258	PJ1084TW	87	PJ14126HP25	182
PF22000T3RBK	259	PF67000T12BKSL4	258	PJ1084W	87	PJ14126HW	87
PF22000T3RBK230	259	PF67000T12LG	257	PJ1086	85	PJ14126L	86
PF22000T3RBK24	259	PF67000T12LG230	257	PJ1086H	85	PJ14126LW	87
PF22000T3RLG	259	PF67000T12LG460	257	PJ1086HP12	182	PJ14126P25	182
PF22000T3RLG230	259	PF67000T12LGS	258	PJ1086HP9	182	PJ14126R	88
PF22000T3RLG24	259	PF67000T12LGS2	258	PJ1086HW	87	PJ14126RH	88
PF32000T12BK	255	PF67000T12LGS4	258	PJ1086L	86	PJ14126RHW	88
PF32000T12BK230	255	PF67000T3RBK	259	PJ1086LW	87	PJ14126RL	89
PF32000T12BK24	255	PF67000T3RBK230	259	PJ1086P12	182	PJ14126RLW	89
PF32000T12LG	255	PF67000T3RBK460	259	PJ1086P9	182	PJ14126RT	90
PF32000T12LG230	255	PF67000T3RLG	259	PJ1086R	88	PJ14126RTW	90
PF32000T12LG24	255	PF67000T3RLG230	259	PJ1086RH	88	PJ14126RW	88
PF32000T3RBK	259	PF67000T3RLG460	259	PJ1086RHW	88	PJ14126T	86
PF32000T3RBK230	259	PFA10000BK	260	PJ1086RL	89	PJ14126TW	87
PF32000T3RBK24	259	PFA10000LG	260	PJ1086RLW	89	PJ14126W	87
PF32000T3RLG	259	PFA20000BK	260	PJ1086RT	90	PJ16148	85
PF32000T3RLG230	259	PFA20000LG	260	PJ1086RTW	90	PJ16148H	85
PF32000T3RLG24	259	PFA20000T3RBK	260	PJ1086RW	88	PJ16148HP30	182
PF33000T12BKSL	258	PFA20000T3RLG	260	PJ1086T	86	PJ16148HW	87
PF33000T12BKSL2	258	PFA30000BK	260	PJ1086TW	87	PJ16148L	86
PF33000T12LGS	258	PFA30000LG	260	PJ1086W	87	PJ16148LW	87
PF33000T12LGS2	258	PFA30000T3RBK	260	PJ12106	85	PJ16148P30	182
PF33000T12LGS4	258	PFA30000T3RLG	260	PJ12106H	85	PJ16148R	88
PF33000T12LGS2	258	PFA40000BK	260	PJ12106HP16	182	PJ16148RH	88
PF33000T12LGS4	258	PFA40000LG	260	PJ12106HP20	182	PJ16148RHW	88
PF33000T12BKSL	258	PFA40000T3RBK	260	PJ12106HW	87	PJ16148RL	89
PF33000T12BKSL2	258	PFA40000T3RLG	260	PJ12106L	86	PJ16148RLW	89
PF33000T12LGS	258	PFA60000BK	260	PJ12106LW	87	PJ16148RT	90
PF33000T12LGS2	258	PFA60000LG	260	PJ12106P16	182	PJ16148RTW	90
PF33000T12LGS4	258	PFA60000T3RBK	260	PJ12106P20	182	PJ16148RW	88
PF33000T12BKSL	258	PFA60000T3RLG	260	PJ12106R	88	PJ16148T	86
PF33000T12BKSL2	258	PFF1000	260	PJ12106RH	88	PJ16148TW	87
PF33000T12LGS	258	PFF10000	260	PJ12106RHW	88	PJ16148W	87
PF33000T12LGS2	258	PFF2000	260	PJ12106RRL	89	PJ18168	85
PF33000T12LGS4	258	PFF20000	260	PJ12106RLW	89	PJ18168H	85
PF33000T12BKSL	258	PFF30000	260	PJ12106RT	90	PJ18168HP42	182
PF33000T12BKSL2	258	PFF4000	260	PJ12106RTW	90	PJ18168HW	87
PF33000T12LGS	258	PFF40000	260	PJ12106RW	88	PJ18168L	86
PF33000T12LGS2	258	PFF6000	260	PJ12106T	86	PJ18168LW	87
PF33000T12LGS4	258	PFF60000	260	PJ12106TW	87	PJ18168P42	182
PF33000T12BKSL	258	PFFT60001	260	PJ12106W	87	PJ18168R	88
PF33000T12BKSL2	258	PFFT60002	260	PJ12124	85	PJ18168RH	88
PF33000T12LGS	258	PHW201610	102	PJ12124H	85	PJ18168RHW	88
PF33000T12LGS2	258	PHW201612	102	PJ12124HW	87	PJ18168RL	89
PF33000T12LGS4	258	PHW20166	102	PJ12124L	86	PJ18168RLW	89
PF33000T12BKSL	258	PHW20168	102	PJ12124LW	87	PJ18168RT	90
PF33000T12BKSL2	258	PHW241210	102	PJ12124R	88	PJ18168RTW	90
PF33000T12LGS	258	PHW24208	102	PJ12124RH	88	PJ18168RW	88
PF33000T12LGS2	258	PHW242410	102	PJ12124RHW	88	PJ18168T	86
PF33000T12LGS4	258	PHW302010	102	PJ12124RL	89	PJ18168TW	87
PF33000T12BKSL	258	PHW30208	102	PJ12124RLW	89	PJ18168W	87
PF33000T12BKSL2	258	PHW302410	102	PJ12124RT	90	PJ20168	85
PF33000T12LGS	258	PHW302412	102	PJ12124RTW	90	PJ20168H	85
PF33000T12LGS2	258	PHW30247	102	PJ12124RW	88	PJ20168HW	87
PF33000T12LGS4	258	PHW363010	102	PJ12124TW	87	PJ20168L	86
PF33000T12BKSL	258	PHW363012	102	PJ12124W	87	PJ20168LW	87
PF33000T12BKSL2	258	PHW483616	102	PJ12126	85	PJ20168R	88
PF33000T12LGS	258	PHW603616	102	PJ12126H	85	PJ20168RH	88
PF33000T12LGS2	258	PJ1084	85	PJ12126HW	87	PJ20168RHW	88
PF33000T12LGS4	258	PJ1084H	85	PJ12126L	86	PJ20168RL	89
PF33000T12BKSL	258	PJ1084HP9	182	PJ12126LW	87	PJ20168RLW	89
PF33000T12BKSL2	258	PJ1084HW	87	PJ12126R	88	PJ20168RT	90
PF33000T12LGS	258	PJ1084L	86	PJ12126RH	88	PJ20168RTW	90
PF33000T12LGS2	258	PJ1084LW	87	PJ12126RHW	88	PJ20168RW	88

 Technical references and CAD downloads available at www.hammondmfg.com

All dimensions in inches unless specified otherwise

Part Number Index

Part No.	Page	Part No.	Page	Part No.	Page	Part No.	Page
PJ20168T	86	PJEC363012T	101	PJPOLEMNT12	324	PJU12106CCL	91
PJ20168TW	87	PJEC363012TW	101	PJPOLEMNT14	324	PJU12106CCLF	91
PJ20168W	87	PJFPUWM108	291	PJPOLEMNT16	324	PJU12106CCT	92
PJ242010RL	89	PJFPUWM1210	291	PJPOLEMNT20	324	PJU12106CCTF	92
PJ242010RLW	89	PJFPUWM1412	291	PJPOLEMNT24	324	PJU12106F	93
PJ242010RT	90	PJFPUWM1614	291	PJPOLEMNT30	324	PJU12106H	94
PJ242010RTW	90	PJFPUWM1816	291	PJPOLEMNT6	324	PJU12106HF	94
PJ24208RL	89	PJFPUWM2016	291	PJPOLEMNT8	324	PJU12106HW	95
PJ24208RLW	89	PJFPUWM6	291	PJSKIT316	293	PJU12106HWF	95
PJ24208RT	90	PJFS722525	103	PJSP108	304	PJU12106L	91
PJ24208RTW	90	PJFS724925DD	103	PJSP1210	304	PJU12106LF	91
PJ242410RL	89	PJHD181610RLF	100	PJSP1212	304	PJU12106LW	95
PJ242410RLW	89	PJHMI108CCH	310	PJSP1412	304	PJU12106LWF	95
PJ242410RT	90	PJHMI108CCHTP	310	PJSP1614	304	PJU12106T	92
PJ242410RTW	90	PJHMI108CCL	310	PJSP1816	304	PJU12106TF	92
PJ24248RL	89	PJHMI108H	310	PJSP2016	304	PJU12106WF	95
PJ24248RLW	89	PJHMI108HTP	310	PJSP2420	304	PJU12106WF	95
PJ24248RT	90	PJHMI108L	310	PJSP2424	304	PJU14126	93
PJ24248RTW	90	PJHMI1210CCH	310	PJSP3024	304	PJU14126CC	93
PJ302410RL	89	PJHMI1210CCHTP	310	PJSPU108	304	PJU14126CCF	93
PJ302410RLW	89	PJHMI1210CCL	310	PJSPU1210	304	PJU14126CCH	94
PJ302410RT	90	PJHMI1210H	310	PJSPU1412	304	PJU14126CCHF	94
PJ302410RTW	90	PJHMI1210HTP	310	PJSPU1614	304	PJU14126CCL	91
PJ30248RL	89	PJHMI1210L	310	PJSPU1816	304	PJU14126CCLF	91
PJ30248RLW	89	PJHMI138CX	311	PJSPU2016	304	PJU14126CCT	92
PJ30248RT	90	PJHMI1412CCH	310	PJTKIT316	293	PJU14126CCTF	92
PJ30248RTW	90	PJHMI1412CCHTP	310	PJU1084	93	PJU14126F	93
PJ664	85	PJHMI1412CCL	310	PJU1084CC	93	PJU14126H	94
PJ664H	85	PJHMI1412H	310	PJU1084CCF	93	PJU14126HF	94
PJ664HP4	182	PJHMI1412HTP	310	PJU1084CCH	94	PJU14126HW	95
PJ664HW	87	PJHMI1412L	310	PJU1084CCHF	94	PJU14126HWF	95
PJ664L	86	PJHMI1614CCH	310	PJU1084CCLF	91	PJU14126L	91
PJ664LW	87	PJHMI1614CCHTP	310	PJU1084CCL	91	PJU14126LF	91
PJ664P4	182	PJHMI1614CCL	310	PJU1084CCT	92	PJU14126LW	95
PJ664R	88	PJHMI1614H	310	PJU1084CCTF	92	PJU14126LWF	95
PJ664RH	88	PJHMI1614HTP	310	PJU1084F	93	PJU14126T	92
PJ664RHW	88	PJHMI1614L	310	PJU1084H	94	PJU14126TF	92
PJ664RL	89	PJHMI2016CCH	310	PJU1084HF	94	PJU14126WF	95
PJ664RLW	89	PJHMI2016CCHTP	310	PJU1084HW	95	PJU14126W	95
PJ664RT	90	PJHMI2016CCL	310	PJU1084HWF	95	PJU16148	93
PJ664RTW	90	PJHMI2016H	310	PJU1084L	91	PJU16148CC	93
PJ664RW	88	PJHMI2016HTP	310	PJU1084LF	91	PJU16148CCF	93
PJ664T	86	PJHMI2016L	310	PJU1084LW	95	PJU16148CCH	94
PJ664TW	87	PJHMI66CCH	310	PJU1084LWF	95	PJU16148CCHF	94
PJ664W	87	PJHMI66CCHTP	310	PJU1084T	92	PJU16148CCL	91
PJ744	84	PJHMI66CCL	310	PJU1084TF	92	PJU16148CCLF	91
PJ744FS	84	PJHMI66CX	311	PJU1084W	95	PJU16148CCT	92
PJ744P1	181	PJHMI66H	310	PJU1084WF	95	PJU16148CCTF	92
PJ744P2	181	PJHMI66HTP	310	PJU1086	93	PJU16148F	93
PJ744P221	181	PJHMI66L	310	PJU1086CC	93	PJU16148H	94
PJ744P222	181	PJHMI86CCH	310	PJU1086CCF	93	PJU16148HF	94
PJ864	85	PJHMI86CCHTP	310	PJU1086CCH	94	PJU16148HW	95
PJ864H	85	PJHMI86CCL	310	PJU1086CCHF	94	PJU16148HWF	95
PJ864HP6	182	PJHMI86H	310	PJU1086CCL	91	PJU16148L	91
PJ864HW	87	PJHMI86HTP	310	PJU1086CCLF	91	PJU16148LF	91
PJ864L	86	PJHMI86L	310	PJU1086CCT	92	PJU16148LW	95
PJ864LW	87	PJHMI88CCH	310	PJU1086CCTF	92	PJU16148LWF	95
PJ864P6	182	PJHMI88CCHTP	310	PJU1086F	93	PJU16148T	92
PJ864R	88	PJHMI88CCL	310	PJU1086H	94	PJU16148TF	92
PJ864RH	88	PJHMI88H	310	PJU1086HF	94	PJU16148W	95
PJ864RHW	88	PJHMI88HTP	310	PJU1086HW	95	PJU16148WF	95
PJ864RL	89	PJHMI88L	310	PJU1086HWF	95	PJU181610	93
PJ864RLW	89	PJHMI95CX	311	PJU1086L	91	PJU181610F	93
PJ864RT	90	PJHMIPROP108	309	PJU1086LF	91	PJU181610H	94
PJ864RTW	90	PJHMIPROP1210	309	PJU1086LW	95	PJU181610HF	94
PJ864RW	88	PJHMIPROP1412	309	PJU1086LWF	95	PJU181610HW	95
PJ864T	86	PJHMIPROP1614	309	PJU1086T	92	PJU181610HWF	95
PJ864TW	87	PJHMIPROP2016	309	PJU1086TF	92	PJU181610L	91
PJ864W	87	PJHMIPROP66	310	PJU1086W	95	PJU181610LF	91
PJ944	84	PJHMIPROP86	310	PJU1086WF	95	PJU181610LW	95
PJ944FS	84	PJHMIPROP88	309	PJU12106	93	PJU181610LWF	95
PJ944P223	181	PJLKIT316	293	PJU12106CC	93	PJU181610T	92
PJ944P3	181	PJP74	84	PJU12106CCF	93	PJU181610TF	92
PJEC3630123PT	101	PJP94	84	PJU12106CCH	94	PJU181610W	95
PJEC3630123PTW	101	PJPOLEMNT10	324	PJU12106CCHF	94	PJU181610WF	95

 Technical references and CAD downloads available at www.hammondmfg.com

All dimensions in inches unless specified otherwise

Quality Products. Service Excellence.

Part Number Index

Part Number Index

Part No.	Page	Part No.	Page	Part No.	Page	Part No.	Page
PJU201610	93	PJW4NLS	292	PWS3102A115N4SS	252	R100-320-000	74
PJU201610CCH	94	PJW4NUFS	292	PWS3102A230N4LG	251	R100-320-035	74
PJU201610CCHF	94	PJW4NULFS	292	PWS3102A230N4SS	252	R100-322-000	74
PJU201610CCL	91	PJW603610L	101	PWS3152A115N4LG	251	R100-322-035	74
PJU201610CCLF	91	PJW603610L3PT	101	PWS3152A115N4SS	252	R100-324-000	74
PJU201610CCT	92	PJW603614L	101	PWS3152A230N4LG	251	R100-324-035	74
PJU201610CCTF	92	PJW603614L3PT	101	PWS3152A230N4SS	252	R130-120-000	82
PJU201610F	93	PKS3042A115N4SS	250	PWS31X2A230N4LG	251	R130-122-000	82
PJU201610H	94	PKS3092A115N4SS	250	PWS31X2A460N4SS	252	R130-124-000	82
PJU201610HF	94	PKS3131A115LG	249	PWS3202A115N4LG	251	R130-160-000	82
PJU201610HW	95	PKS3131A230LG	249	PWS3202A115N4SS	252	R130-162-000	82
PJU201610HWF	95	PKS3131A460LG	249	PWS3202A230N4LG	251	R130-164-000	82
PJU201610L	91	PKS3133A115N4LG	250	PWS3202A230N4SS	252	R130-200-000	82
PJU201610LF	91	PKS3133A230N4LG	250	PWS3302A115N4LG	251	R130-202-000	82
PJU201610LW	95	PKS3133A460N4LG	250	PWS3302A115N4SS	252	R131-120-000	82
PJU201610LWF	95	PKS3134A115N4SS	250	PWS3302A230N4LG	251	R131-122-000	82
PJU201610T	92	PKS3134A230N4SS	250	PWS3302A230N4SS	252	R131-124-000	82
PJU201610TF	92	PKS3134A460N4SS	250	PWS3502A115N4LG	251	R131-160-000	82
PJU201610W	95	PKS3201A115LG	249	PWS3502A115N4SS	252	R131-162-000	82
PJU201610WF	95	PKS3201A230LG	249	PWS3502A230N4LG	251	R131-164-000	82
PJU664	93	PKS3201A460LG	249	PWS3502A230N4SS	252	R131-200-000	82
PJU664CC	93	PKS3203A115N4LG	250	PWS7102A115N4LG	251	R131-202-000	82
PJU664CCF	93	PKS3203A230N4LG	250	PWS7102A115N4SS	252	R140-045-000R	171
PJU664CCH	94	PKS3203A460N4LG	250	PWS7102A230N4LG	251	R144-021-000R	169
PJU664CCHF	94	PKS3204A115N4SS	250	PWS7102A230N4SS	252	R144-022-000R	169
PJU664CCL	91	PKS3204A230N4SS	250	PWS7332A115N4LG	251	R144-041-000R	169
PJU664CCLF	91	PKS3204A460N4SS	250	PWS7332A115N4SS	252	R144-042-000R	169
PJU664CCT	92	PKS3301A115LG	249	PWS7332A230N4LG	251	R144-301-000	166
PJU664CCTF	92	PKS3301A230LG	249	PWS7332A230N4SS	252	R144-310-750	166
PJU664F	93	PKS3301A460LG	249	R100-060-000	74	R144-311-000	166
PJU664H	94	PKS3303A115N4LG	250	R100-060-035	74	R144-311-500	166
PJU664HF	94	PKS3303A230N4LG	250	R100-062-000	74	R144-321-000	166
PJU664HW	95	PKS3303A460N4LG	250	R100-062-035	74	R144-321-500	166
PJU664HWF	95	PKS3304A115N4SS	250	R100-064-000	74	R147-005-000R	171
PJU664L	91	PKS3304A230N4SS	250	R100-064-035	74	R147-005-200R	171
PJU664LF	91	PKS3304A460N4SS	250	R100-066-000	74	R147-010-000R	171
PJU664LW	95	PKS3361A115LG	249	R100-066-035	74	R147-010-200R	171
PJU664LWF	95	PKS3361A230LG	249	R100-080-000	74	R147-015-000R	170
PJU664T	92	PKS3361A460LG	249	R100-080-035	74	R147-015-200R	170
PJU664TF	92	PKS3363A115N4LG	250	R100-082-000	74	R147-020-000R	170
PJU664W	95	PKS3363A230N4LG	250	R100-082-035	74	R147-020-200R	170
PJU664WF	95	PKS3363A460N4LG	250	R100-084-000	74	R147-025-000R	169
PJU864	93	PKS3364A115N4SS	250	R100-084-035	74	R147-025-200R	169
PJU864CC	93	PKS3364A230N4SS	250	R100-100-000	74	R147-030-000R	171
PJU864CCF	93	PKS3364A460N4SS	250	R100-100-035	74	R147-030-200R	171
PJU864CCH	94	PKT1212	321	R100-102-000	74	R147-035-000R	170
PJU864CCHF	94	PKT1212S	321	R100-102-035	74	R147-035-200R	170
PJU864CCL	91	PKT66	321	R100-104-000	74	R149-005-000	168
PJU864CCLF	91	PKT99	321	R100-104-035	74	R149-005-001	168
PJU864CCT	92	PMH15GY	325	R100-120-000	74	R149-010-000	168
PJU864CCTF	92	PMH25GY	325	R100-120-035	74	R149-010-001	168
PJU864F	93	PMH35GY	325	R100-122-000	74	R149-015-000	168
PJU864H	94	PMKEY	287	R100-122-035	74	R149-020-000	167
PJU864HF	94	PMSTRAP40	325	R100-124-000	74	R149-020-001	167
PJU864HW	95	PMSTRAP55	325	R100-124-035	74	R149-025-001	166
PJU864HWF	95	PMV1216GY	325	R100-160-000	74	R149-025-500	166
PJU864L	91	PMV2024GY	325	R100-160-035	74	R149-025-501	166
PJU864LF	91	PMV3036GY	325	R100-162-000	74	R149-030-000	167
PJU864LW	95	PMV4248GY	325	R100-162-035	74	R149-030-001	168
PJU864LWF	95	PPGFFPA	268	R100-164-000	74	R149-035-000	167
PJU864T	92	PPGFFPA230	268	R100-164-035	74	R149-035-001	167
PJU864TF	92	PQF200	278	R100-166-000	74	R149-040-000	167
PJU864W	95	PQF300	278	R100-166-035	74	R501-000-011	74
PJU864WF	95	PQF400	278	R100-200-000	74	R501-000-012	74
PJW363014L	101	PTF60500LG	261	R100-200-035	74	R501-002-080	74
PJW363014L3PT	101	PTF60500LG230	261	R100-202-000	74	R501-002-100	74
PJW363610L	101	PTF60700LG	261	R100-202-035	74	R507-062-000	74
PJW363610L3PT	101	PTF60700LG230	261	R100-204-000	74	R507-064-000	74
PJW363614L	101	PTF61000LG	261	R100-204-035	74	R507-066-000	74
PJW363614L3PT	101	PTF61000LG230	261	R100-240-000	74	R507-080-000	74
PJW483610L	101	PWS3062A115N4LG	251	R100-240-035	74	R507-082-000	74
PJW483610L3PT	101	PWS3062A115N4SS	252	R100-242-000	74	R507-084-000	74
PJW483614L	101	PWS3062A230N4LG	251	R100-242-035	74	R507-100-000	74
PJW483614L3PT	101	PWS3062A230N4SS	252	R100-244-000	74	R507-102-000	74
PJW4NFS	292	PWS3102A115N4LG	251	R100-244-035	74	R507-104-000	74

 Technical references and CAD downloads available at www.hammondmfg.com

All dimensions in inches unless specified otherwise

Part Number Index

Part No.	Page	Part No.	Page	Part No.	Page
R507-120-000	74	SCGM6GRP-20	NA	ST363012SS	58
R507-122-000	74	SCR027009	270	ST363016LG	21
R507-124-000	74	SCR027009230	270	ST363016SS	58
R507-160-000	74	SCR027019	270	ST36308LG	21
R507-162-000	74	SCREWM6-100	140	ST363612LG	21
R507-164-000	74	SDA412	273	ST363612SS	58
R507-166-000	74	SDV180-1	272	ST483610LG	21
R507-200-000	74	SDV280-1	272	ST483612LG	21
R507-202-000	74	SDVN4XN2	273	ST483612SS	58
R507-204-000	74	SHG14000	270	ST483616LG	21
R507-240-000	74	SHG14001	270	ST483616SS	58
R507-242-000	74	SHG14003	270	ST4MFSS316	293
R507-244-000	74	SHG14005	270	ST603612LG	21
R507-320-000	74	SHG14006	270	ST603612SS	58
R507-322-000	74	SHG14007	270	ST603616SS	58
R507-324-000	74	SHG14008	270	ST6MFSS316	293
R510-000-000	74	SHGL04600	269	THK1	285
R530-120-000	82	SHGL04601	269	THK2	285
R530-122-000	82	SHGM1410	271	THK3	285
R530-124-000	82	SHGM1420	271	UHDM7218BPA	121
R530-160-000	82	SHGM1430	271	UHDM7218ECA	121
R530-162-000	82	SHV031029	271	UHDM7218EPA	121
R530-164-000	82	SHV031039	271	UHDM724118MFTC	121
R530-200-000	82	SHV031139	271	UHDM724118SFTC	121
R530-202-000	82	SHV031149	271	UHDM727818SFTC	121
RCNIT	140	SHV031159	271	UHDM727918MFTC	121
RH20000GY	265	SKH600NCC	276	UHDM8418BPA	121
RH20000LG	265	SKT011409NC	275	UHDM8418ECA	121
RH20000N4GY	266	SKT011409NC-C	275	UHDM8418EPA	121
RH20000N4LG	266	SKT011419NO	275	UHDM8424BPA	121
RH20000N4S16	266	SKT011419NO-C	275	UHDM8424ECA	121
RH20000N4S16FDA	266	SKTD541	276	UHDM8424EPA	121
RH20000N4SS	266	SKTD541C	276	UHDM844118MFTC	121
RH20000N4SSFDA	266	SKTD542	276	UHDM844118SFTC	121
RH20000SS	265	SKTD542C	276	UHDM844124MFTC	121
RH30000N4GY	266	SKTD543	276	UHDM844124SFTC	121
RH30000N4LG	266	SKTD543C	276	UHDM847818SFTC	121
RH30000N4S16	266	SKTH012009	277	UHDM847824SFTC	121
RH30000N4S16FDA	266	SKTH012009-C	277	UHDM847918MFTC	121
RH30000N4SS	266	SPB1	302	UHDM847924MFTC	121
RH30000N4SSFDA	266	SPB2	302	UHDMFTC72BK	121
RH40000GY	265	SSD03504001	313	UHDMFTC84BK	121
RH40000LG	265	ST12126LG	21	XF10115	262
RH40000N4GY	266	ST161208SS	58	XF10230	262
RH40000N4LG	266	ST16126LG	21	XF4115	262
RH40000N4S16	266	ST161608SS	58	XF4230	262
RH40000N4S16FDA	266	ST16168LG	21	XF6115	262
RH40000N4SS	266	ST1MFSS316	293	XF6230	262
RH40000N4SSFDA	266	ST201608SS	58	XFF10	262
RH40000SS	265	ST201612SS	58	XFF4	262
RH60000GY	265	ST20166LG	21	XFF6	262
RH60000LG	265	ST20168LG	21	XFG10	262
RH60000N4GY	266	ST202008SS	58	XFG4	262
RH60000N4LG	266	ST202012SS	58	XFG6	262
RH60000N4S16	266	ST20206LG	21	XPFA120BK	264
RH60000N4S16FDA	266	ST20208LG	21	XPFA120CG	264
RH60000N4SS	266	ST242008SS	58	XPFA120GY	264
RH60000N4SSFDA	266	ST24208LG	21	XPFA120LG	264
RH60000SS	265	ST242408SS	58	XPFA150BK	264
RHA20000G	265	ST242410LG	21	XPFA150CG	264
RHA20000N4G	NA	ST242412LG	21	XPFA150GY	264
RHA20000S16	265	ST242412SS	58	XPFA150LG	264
RHA30000N4G	NA	ST24248LG	21	XPFA254BK	264
RHA40000G	265	ST2MFSS316	293	XPFA254CG	264
RHA40000N4G	NA	ST302408SS	58	XPFA254GY	264
RHA40000S16	265	ST302410LG	21	XPFA254LG	264
RHA60000G	265	ST302412LG	21	XPFA80BK	264
RHA60000N4G	NA	ST302412SS	58	XPFA80CG	264
RHA60000S16	265	ST302420LG	21	XPFA80GY	264
RRHDCASTER	139	ST30248LG	21	XPFA80LG	264
RRLDCASTER	139	ST303008SS	58		
SC570-20	NA	ST30308LG	21		
SC571-12	NA	ST363008SS	58		
SC583-50	NA	ST363010LG	21		
SCGM4-50	NA	ST363012LG	21		

 Technical references and CAD downloads available at www.hammondmfg.com


All dimensions in inches unless specified otherwise

Quality Products. Service Excellence.

E7 Catalog Format


With extensive user availability to web resources, the content of this E7 catalog has been streamlined to show critical buying information. Detailed dimensional drawings can now easily be accessed at www.hammondmfg.com ensuring you always see the most current data.

Please see the illustration below highlighting this catalog's key layout features.


www.hammondmfg.com

Type 12 Mild Steel Junction Box 1414 Series

Lift-Off Cover with Clamps



1 Quick Link: hammfg.com/1414

Application

- Designed for use as instrument enclosures, electric, hydraulic or pneumatic control housings, electrical junction boxes or terminal wiring enclosures.
- Provides a degree of protection from falling dirt, dust, oil and water.

Standards

- UL 508A Type 12 and 13
- CSA Type 12 and 13
- Complies with
 - NEMA Type 12 and 13
 - IEC 60529, IP54

Construction

- Body formed from 16 gauge or 14 gauge steel. Covers are formed from 14 gauge steel.
- Smooth, continuously welded seams without knockouts, cutouts or holes.
- Welded brackets provide for enclosure mounting.
- Lift off cover is secured with stainless steel clamps and plated steel screws and retained with a plated chain when open.
- Seamless poured-in place gasket.
- Models larger than 4" x 4" include a removable 14 gauge inner panel.
- Internal threaded weld studs are provided for mounting inner panels.
- A bonding stud is provided on the door and a grounding stud is provided on the enclosure.

1 Web shortcut

2 Accessory page reference and PDF version weblink

3 PDF version - Part # links to detailed dimensions and CAD drawings

4 Simplified dimensions table

Always look for this symbol as some enclosures already include an inner panel.

Finish

- Cover and enclosure are phosphatized and finished in ANSI 61 gray recoatable powder coating.
- Removable inner panel is finished in white powder coating.

Accessories

- Additional Inner Panels [304]
- Terminal Kit Assemblies [310]
- Swing Panel Kit [309]
- Door Clamping Hardware [287]
- Climate Control [36]
- General Accessories [41]

4

Part No.	Enclosure			Panel	
	H	W	D	H	W
1414A	4.00	4.00	3.00	-	-
1414C	6.00	4.00	3.00	4.88	2.88
1414G	8.00	6.00	3.50	6.75	4.88
1414A4	4.00	4.00	4.00	-	-
1414C4	6.00	4.00	4.00	4.88	2.88
1414E	6.00	6.00	4.00	4.88	4.88
1414I	10.00	8.00	4.00	8.75	6.88
1414K	12.00	10.00	5.00	10.75	8.88
1414M5	14.00	12.00	6.00	12.75	10.88
1414O6	16.00	14.00	6.00	14.75	12.88
1414M8	14.00	12.00	8.00	12.75	10.88
1414O10	16.00	14.00	10.00	14.75	12.88

Technical references and CAD downloads available at www.hammondmfg.com

All dimensions in inches unless specified otherwise

© Hammond Manufacturing

Canada: 519.822.2960 or 905.456.3770 USA: 716.630.7000

Data Subject to change without notice

Mild Steel Enclosures (Type 12, 4) Junction Boxes