

# 17.5 MM TIME DELAY RELAYS

## TE5 Series



**Consistently Delivers Accurate Time Based Control Across a Variety of Applications.**

**Time Delay Relays provide a simple solution for process automation, motor control, energy efficiency, and many more applications.**

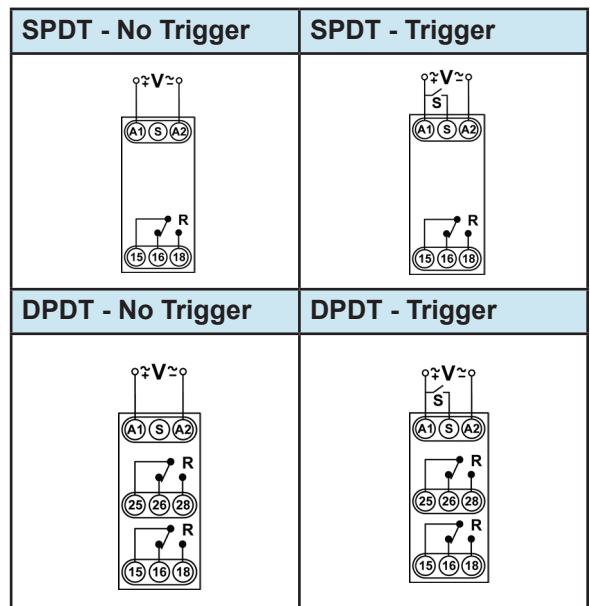


The TE5 Series of 17.5MM time delay relays provide precise time-based control in a compact package, saving valuable space. Each product has a single dedicated function and time range so there is no complicated setup required before use. Time delays from 0.05 seconds up to 100 hours can be accomplished across 17 user-adjustable time ranges, or factory fixed times (non-adjustable) are also available. Select from 15 unique timing functions to meet your specific control and automation needs.

**FEATURES:**

- 15 Time Delay Functions available
- Universal Control Voltage: 24V-240V AC & 12-240V DC
- Adjustable or Factory Fixed Time ranges from 50ms to 100 hours
- Slim 17.5mm wide design for compact DIN Rail mounting
- LEDs indicate power applied, output relay status and timing mode
- 10A SPDT or DPDT outputs available
- Proudly manufactured in the United States

Approvals:



# TE5 Series | 17.5 MM Time Delay Relays



## APPLICATION DATA

### Voltage Tolerance:

Control Voltage:  
24-240 V AC  
12-240 V DC

AC Operation +10/-15% of nominal at 50/60 Hz  
DC Operation -10/15% of nominal

**Load (Burden):** Maximum of 4 VA

### Setting Accuracy:

Maximum Setting (Adjustable): +5% -0%  
Minimum Setting (Adjustable) +0% -50%  
Fixed Time Delay:  $\pm 2\%$  or 50ms, whichever is greater

### Repeat Accuracy:

Constant voltage and temperature  $\pm 0.1\%$  or  $\pm 0.05$  seconds, whichever is greater  
Changing voltage and temperature within limits  $\pm 5\%$  or  $\pm 0.1$  seconds, whichever is greater

### Reset Time:

Triggered with input Voltage: 0.1 seconds  
Triggered with Control Switch: 0.04 seconds

### Start-up Time:

Time from when power is applied until unit is timing: 0.05 seconds

### Maintain Function Time:

Time unit continues to operate after power is removed: 0.01 Seconds. Interruptions longer than this time may reset the timing cycle.

**Minimum required trigger switch closure:** 0.05 seconds

### Temperature:

Operating -28° to 65°C (-18° to 149° F)  
Storage: -40° to 85° C (-49° to 185° F)

**Output Contact Ratings:** 10A @ 250VAC / 8A @ 30VDC SPDT/ DPDT

### Life:

Mechanical: 10,000,000 operations; Full load: 100,000 operations

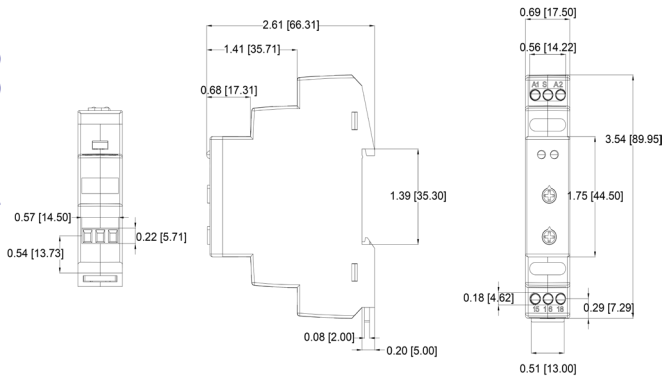
### Mounting:

35mm DIN Rail required, panel mounting with screw not supported

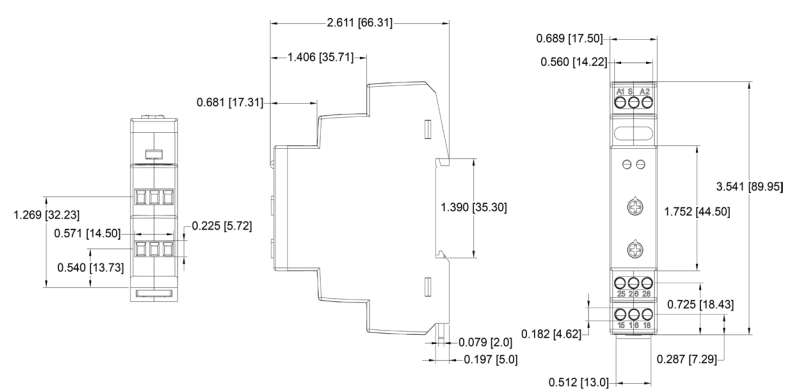
### Wiring:

Flat blade (slotted) screw terminals, Wire size: 12-22AWG Maximum tightening torque: 4in-lb. Recommend 1/8" (3 mm) screw drivers.

## SPDT



## DPDT



## TYPICAL MODEL CODE

TE5 Series

Family		Function	Output Configuration	Control Voltage	Time Ranges	Standard Modifications
TE5	17.5 MM Time Delay	<b>SINGLE TIME</b>	2 DPDT 6 SPDT	U 24-240V AC, 12-240V DC	-04 0.05 - 5 seconds -30 0.1 - 10 seconds -07 0.3 - 30 seconds -08 0.6 - 60 seconds -31 1 - 100 seconds -09 1.2 - 120 seconds -10 1.8 - 180 seconds -12 3 - 300 seconds -36 10 - 1,000 seconds -32 0.1 - 10 minutes -15 0.3 - 30 minutes -16 0.6 - 60 minutes -33 1-100 minutes -37 10 - 1,000 minutes -17 1.2 - 120 minutes -34 0.1 - 10 hours -35 1 - 100 hours -F Fixed Time Range (i.e., F5S for Fixed 5 seconds)	Z Bulk Packaging
		02 On Delay				
		05 Interval On				
		08 Flasher (Off 1st)				
		09 Flasher (On 1st)				
		12 On Delay (Triggered)				
		13 Watchdog (Triggered)				
		15 Single Shot (Triggered)				
		16 Off Delay (Triggered)				
		22 Single Shot Falling Edge (Triggered)				
		29 Memory Latch (Triggered)				
		<b>Dual Time</b>				
		31 Repeat Cycle (OFF 1st)				
		41 On Delay/Off Delay (Triggered)				
		51 Repeat Cycle (ON 1st)				
		61 Delayed Interval				
		65 Delayed Interval (Triggered)				