











## Wireway & Trough

Wireway & Trough

	Type 12 Lay-In Wireway 1485 Series Wireway & Accessories ..... 185
	Type 12 Pull Through Wireway 1487 Series Wireway & Accessories ..... 190
	Type 4X Pull Through Wireway 1487SS Series Wireway & Accessories ..... 194
	Type 1 Lay-In Wireway CW Series Wireway & Accessories ..... 197
	Type 1 Galvanized Lay-In Wireway CWG Series Wireway & Accessories ..... 199
	Type 1 Gutter Trough CGT Series ..... 203
	Type 3R Wiring Trough C3RWT Series ..... 204
	Type 3R Galvanized Wiring Trough C3RWTG Series ..... 205
	Type 4/12 Wiring Trough 1486 Series ..... 206
	Type 4X Wiring Trough 1486SS Series ..... 207

Distributed by Gross Automation | +1 (262) 252-1600 | sales@grossautomation.com

Technical references and CAD downloads available at www.hammondmfg.com

All dimensions in inches unless specified otherwise

## Type 12 Lay-In Wireway 1485 Series

### Wireway & Accessories



Quick Link: [hammfg.com/1485](http://hammfg.com/1485)

### Application

- Designed to enclose and protect electrical wiring from dirt, dust, oil and water.
- All sections and fittings are completely open on each side to allow wires and cables to be placed into the wireway without “pulling through”.

### Standards

- UL 870 Type 1 (unless marked<sup>1</sup>)
- CSA Type 1 (unless marked<sup>1</sup>)
- Complies with
  - NEMA Type 12
  - IEC 60529, IP54

### Construction

- Bodies and covers are formed from 14-gauge steel with 10 gauge steel flanges.
- Flanges are open at the top to allow cables to lay in when doors open.
- 12” x 6” size has a 12 gauge steel body with a 14-gauge cover.
- Smooth continuously welded seams.
- Interior surfaces are smooth to prevent wire damage during installation.
- Butt hinged cover is secured with easily operated quick release clamps.
- Oil resistant gaskets are permanently secured.
- Solid oil resistant gaskets are used between flanges when sections and fittings are bolted together.
- One gasket kit, complete with hardware is provided with each straight section or fitting.
- Sealing plate is supplied.
- Flange junctions are sealed with gasket sealing plates, which are put in place after wiring is completed. One is supplied with all straight sections and most fittings; see table for exact number.

### Finish

- Sections and components are finished in ANSI 61 gray powder coating.

### Notes

- When joining a wireway section or fitting to an enclosure be sure to order a box connector.
- When joining two wireway sections, or joining a wireway section to a fitting, a flat sealing plate is required at each junction; necessary kits are supplied with each section and fitting. See table, extra kits may be ordered if necessary.
- When joining a lay-in wireway section or fitting to a closure plate, a box connector, or cut-off fitting, an angle sealing plate is required at each junction.
- Necessary kits are supplied with each section and fitting - see table. Extra kits, although not normally required, are necessary when joining lay-in wireway to a non-lay-in section or fitting section.

**Wireway & Trough**

Description	Sealing Plates	2.5 x 2.5	4 x 4	6 x 6	8 x 8	12 x 6
	Supplied	Part No.	Part No.	Part No.	Part No.	Part No.
6” Section	1 Flat	1485B6	1485C6	1485D6	1485E6	1485F6
12” Section	1 Flat	1485B12	1485C12	1485D12	1485E12	1485F12
24” Section	1 Flat	1485B24	1485C24	1485D24	1485E24	1485F24
36” Section	1 Flat	1485B36	1485C36	1485D36	1485E36	1485F36
48” Section	1 Flat	1485B48	1485C48	1485D48	1485E48	1485F48
60” Section	1 Flat	1485B60	1485C60	1485D60	1485E60	1485F60
120” Section	1 Flat	1485B120	1485C120	1485D120	1485E120	1485F120

Distributed by Gross Automation | +1 (262) 252-1600 | [sales@grossautomation.com](mailto:sales@grossautomation.com)

Technical references and CAD downloads available at [www.hammondmfg.com](http://www.hammondmfg.com)

All dimensions in inches unless specified otherwise

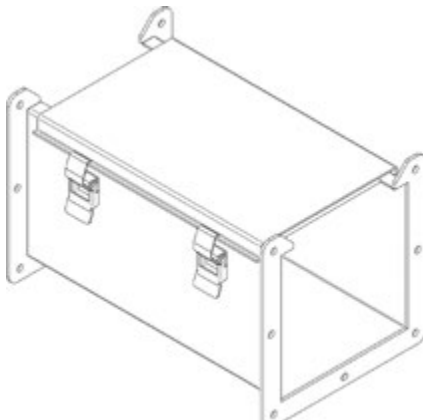
**Quality Products. Service Excellence.**

Description	Sealing Plates	2.5 x 2.5	4 x 4	6 x 6	8 x 8	12 x 6
	Supplied	Part No.	Part No.	Part No.	Part No.	Part No.
60" Long Partition (Barrier)	-	-	1487CB60 <sup>1</sup>	1487DB60 <sup>1</sup>	1487EB60 <sup>1</sup>	1487DB60 <sup>1</sup>
1" Nipple	1 Flat	1485BM1	1485CM1	1485DM1	-	-
2" Nipple	1 Flat	1485BM2	1485CM2	1485DM2	-	-
3" Nipple	1 Flat	1485BM3	1485CM3	1485DM3	-	-
Box Entry Swivel Nipple	1 Angle	1485BV1	1485CV1	1485DV1	1485EV1	-
Standard Swivel Nipple	2 Angle	1485BV2	1485CV2	1485DV2	1485EV2	-
12" Transposition Clockwise	1 Flat	1485BZ12	1485CZ12	1485DZ12	1485EZ12	-
12" Transposition Counter-Clockwise	1 Flat	1485BZC12	1485CZC12	1485DZC12	1485EZC12	-
Flexible Fitting	None	1485BFF	1485CFF	1485DFF	1485EFF	-
Adjustable Fitting	1 Spec.	1485BX <sup>1</sup>	1485CX <sup>1</sup>	1485DX <sup>1</sup>	1485EX <sup>1</sup>	1485FX <sup>1</sup>
Cut-Off Fitting Lay-In	1 Flat	1485BW1 <sup>1</sup>	1485CW1 <sup>1</sup>	1485DW1 <sup>1</sup>	1485EW1 <sup>1</sup>	1485FW1 <sup>1</sup>
Cut-Off Fitting Non Lay-In	1 Angle	1485BW2 <sup>1</sup>	1485CW2 <sup>1</sup>	1485DW2 <sup>1</sup>	1485EW2 <sup>1</sup>	1485FW2 <sup>1</sup>
90° Elbow, Top Opening	1 Flat	1485B9N	1485C9N	1485D9N	1485E9N	1485F9N
90° Elbow, Inside Opening	1 Flat	1485B9P	1485C9P	1485D9P	1485E9P	1485F9P
90° Elbow, Outside Opening	1 Flat	1485B9Q	1485C9Q	1485D9Q	1485E9Q	1485F9Q
45° Elbow, Top Opening	1 Flat	1485B4N	1485C4N	1485D4N	1485E4N	1485F4N
45° Elbow, Inside Opening	1 Flat	1485B4P	1485C4P	1485D4P	1485E4P	-
45° Elbow, Outside Opening	1 Flat	1485B4Q	1485C4Q	1485D4Q	1485E4Q	-
Tee Fitting, Top Opening	2 Flat	1485BTN	1485CTN	1485DTN	1485ETN	1485FTN
Tee Fitting, Outside & Top Opening	2 Flat	1485BTQ	1485CTQ	1485DTQ	1485ETQ	-
Cross Fitting	3 Flat	1485BY	1485CY	1485DY	1485EY	1485FY
Reducer 4 x 4 to 2.5 x 2.5	None	-	1485CRE	-	-	-
Reducer 6 x 6 to 4 x 4	None	-	-	1485DRE	-	-
Reducer 8 x 8 to 6 x 6	None	-	-	-	1485ERE	-
Reducer 12 x 6 to 4 x 4	None	-	-	-	-	1485FREC
Reducer 12 x 6 to 6 x 6	None	-	-	-	-	1485FRED
Junction Box	1 Flat	1485BJ	1485CJ	1485DJ	1485EJ	-
Box Connector	1 Angle	1485BK <sup>1</sup>	1485CK <sup>1</sup>	1485DK <sup>1</sup>	1485EK <sup>1</sup>	1485FK <sup>1</sup>
Drop Hanger	None	1485BL1 <sup>1</sup>	1485CL1 <sup>1</sup>	1485DL1 <sup>1</sup>	1485EL1 <sup>1</sup>	-
Bracket Hanger	None	1485BL2 <sup>1</sup>	1485CL2 <sup>1</sup>	1485DL2 <sup>1</sup>	1485EL2 <sup>1</sup>	-
Cover Plate	1 Angle	1485BH <sup>2</sup>	1485CH <sup>2</sup>	1485DH <sup>2</sup>	1485EH <sup>2</sup>	1485FH <sup>2</sup>
Snap On Flat Sealing Plate	None	1485BSM <sup>2</sup>	1485CSM <sup>2</sup>	1485DSM <sup>2</sup>	1485ESM <sup>2</sup>	1485FSM <sup>2</sup>
Angle Sealing Plate	None	1485BS9 <sup>2</sup>	1485CS9 <sup>2</sup>	1485DS9 <sup>2</sup>	1485ES9 <sup>2</sup>	1485FS9 <sup>2</sup>

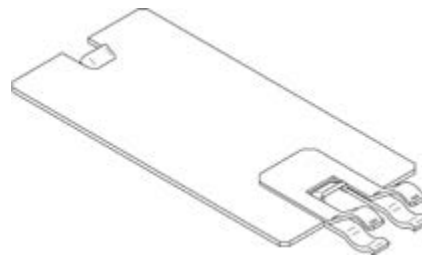
<sup>1</sup> Does not meet CSA or UL requirement

<sup>2</sup> Maintains ratings on CSA and UL approved wireway

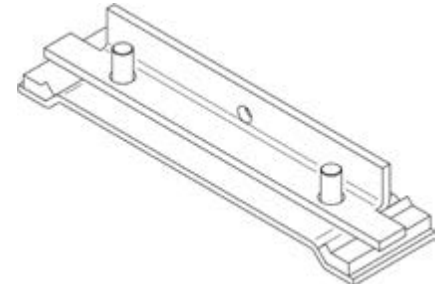
## Typical Straight Section



## Flat Sealing Plate



## Angle Sealing Plate

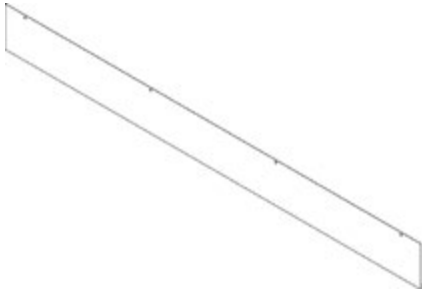


Distributed by Gross Automation | +1 (262) 252-1600 | [sales@grossautomation.com](mailto:sales@grossautomation.com)

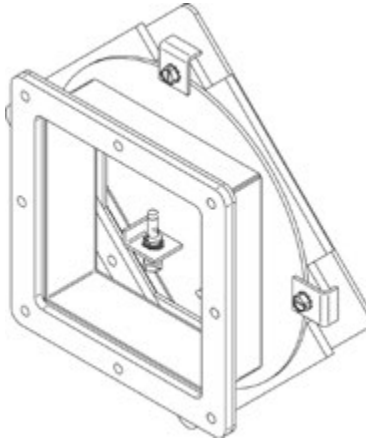
Technical references and CAD downloads available at [www.hammondmfg.com](http://www.hammondmfg.com)

All dimensions in inches unless specified otherwise

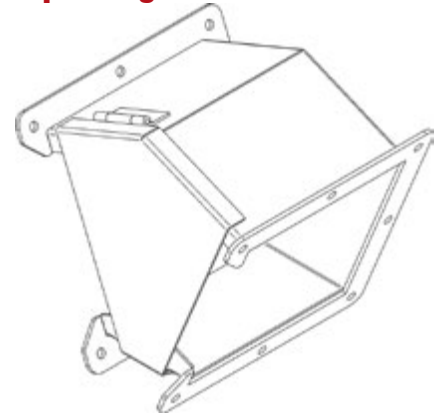
**Barrier Kit**



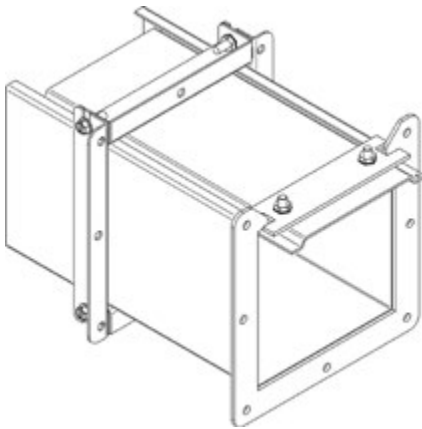
**Swivel Nipple**



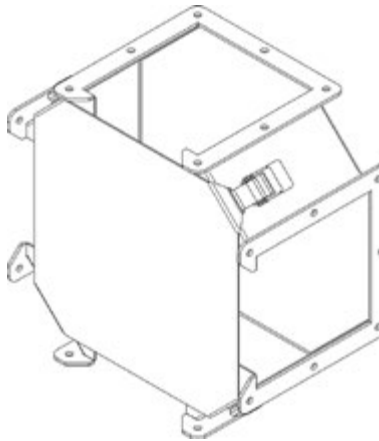
**45 degree Elbow Top Opening**



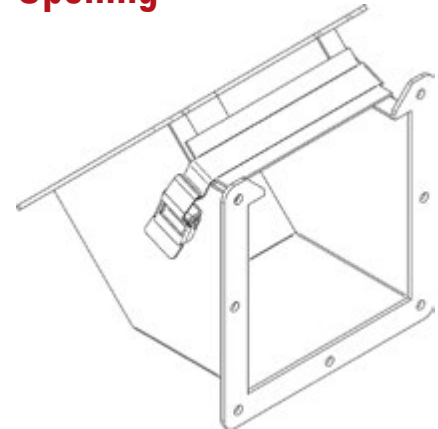
**Adjustable Fitting**



**Cross Fitting**



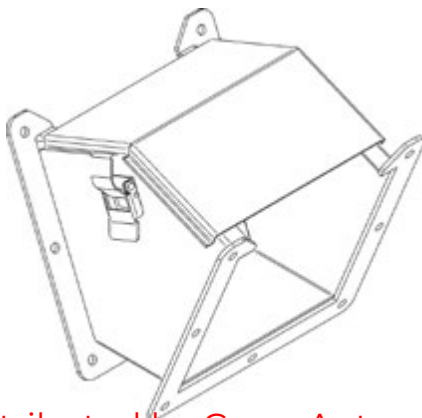
**45 degree Elbow Inside Opening**



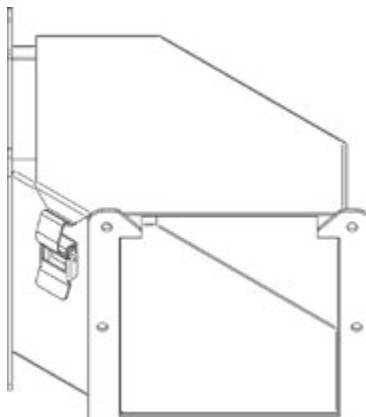
- Allows on site length adjustment of 2" to 7"

**Wireway & Trough**

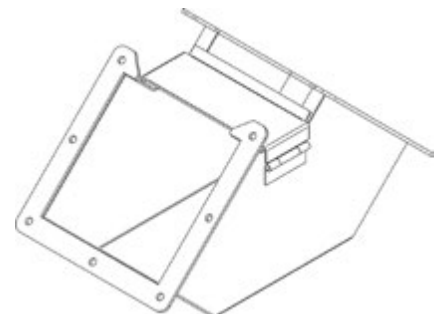
**45 degree Elbow Outside Opening**



**90 degree Elbow Top Opening**



**90 degree Elbow Inside Opening**



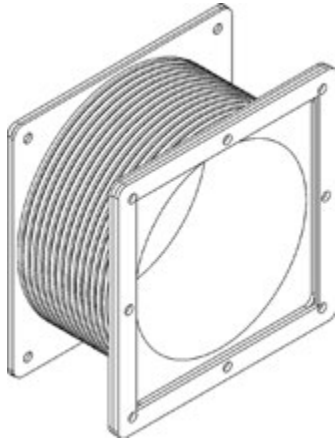
Distributed by Gross Automation | +1 (262) 252-1600 | [sales@grossautomation.com](mailto:sales@grossautomation.com)

Technical references and CAD downloads available at [www.hammondmfg.com](http://www.hammondmfg.com)

All dimensions in inches unless specified otherwise

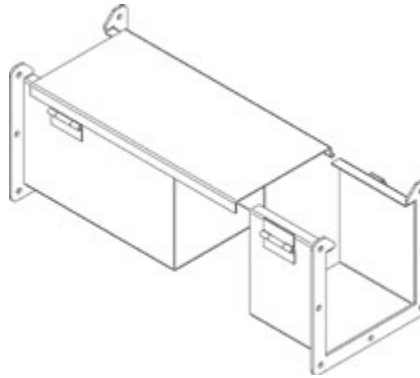
**Quality Products. Service Excellence.**

## Flexible Fitting



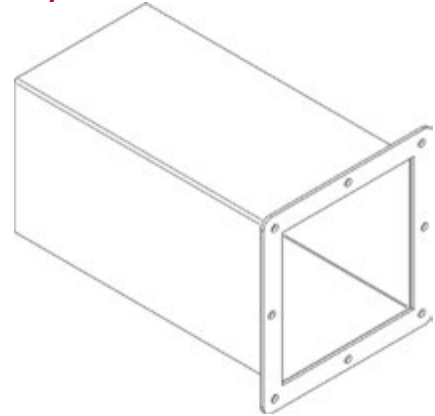
- Allows for easy alignment of sections or fittings
- Metal flanges
- Flexible synthetic “bellows” middle section

## Cut-Off Fitting (Lay-In)



- Body comes in two pieces. Cut-off one piece, shorten cover, and weld together.
- Includes angle sealing plate.

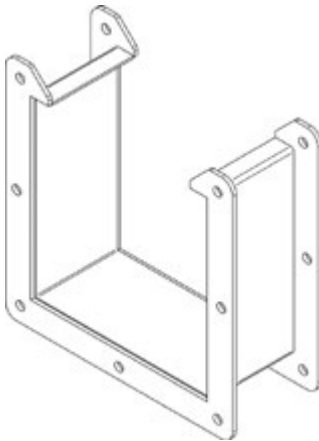
## Cut-Off Fitting (Non Lay-In)



- For lengths up to 12”. Cut off body and weld on flange.

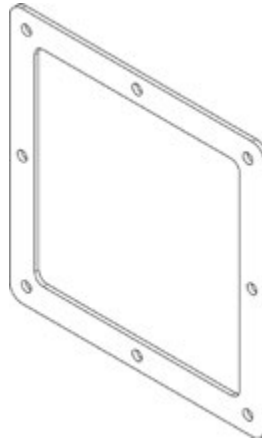
## Wireway & Trough

### Nipple



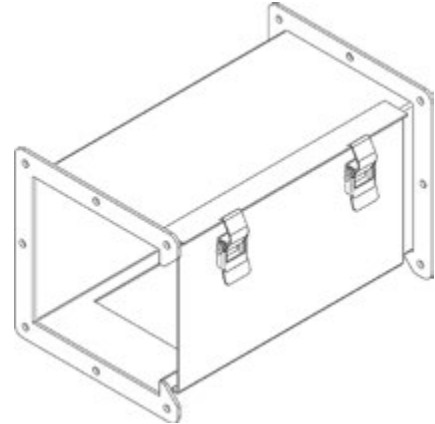
- Lay-in nipples come with a special sealing plate which cannot be used adjacent to swivel nipples (use 1487 Series nipples)

### Box Connector



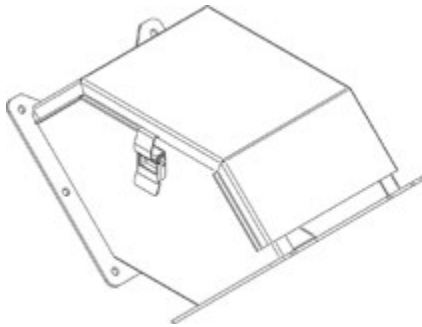
- Use inside box when entering with “Lay-In” Wireway.

### 12” Transposition Sections Clockwise &

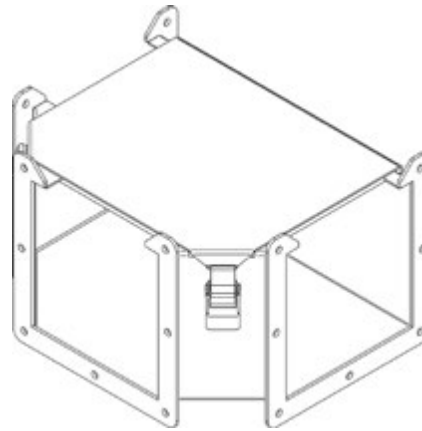


- Used to rotate the open side of a wireway run by 90° and maintain the lay-in feature

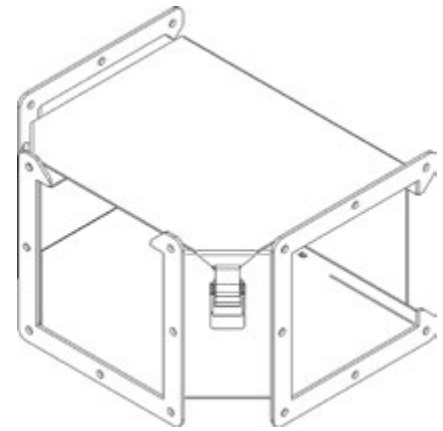
**90 degree Elbow  
Outside Opening**



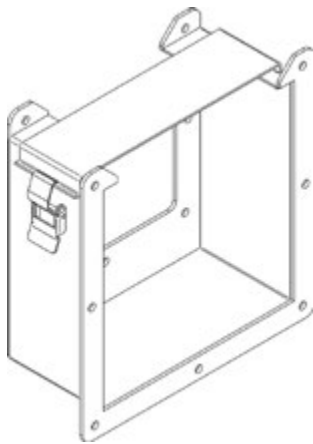
**Tee Fitting Top Opening**



**Tee Fitting Outside and  
Top Opening**



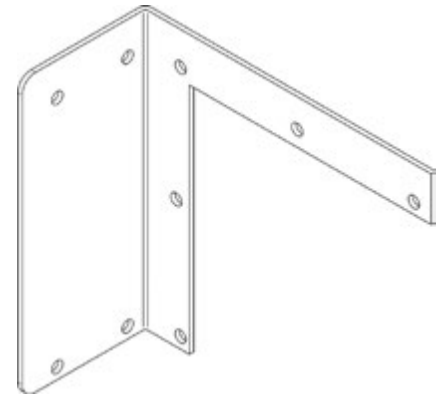
**Reducers**



**Drop Hanger**

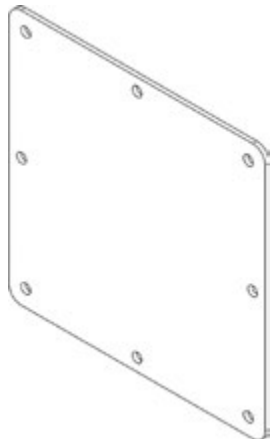


**Bracket Hanger**

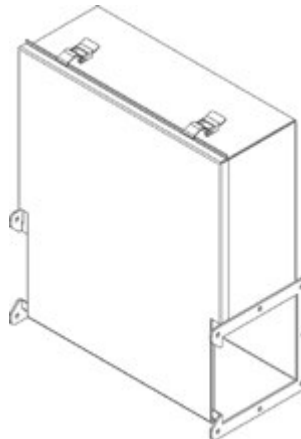


*Wireway & Trough*

**Cover Plate**



**Junction Box**



Distributed by Gross Automation | +1 (262) 252-1600 | [sales@grossautomation.com](mailto:sales@grossautomation.com)

Technical references and CAD downloads available at [www.hammondmfg.com](http://www.hammondmfg.com)

All dimensions in inches unless specified otherwise

**Quality Products. Service Excellence.**

# Type 12 Pull Through Wireway 1487 Series

## Wireway & Accessories



### Standards

- UL 870 Type 1, 12 (unless marked<sup>1</sup>)
- CSA Type 1, 12 (unless marked<sup>1</sup>)
- Complies with
  - NEMA Type 1, 12
  - IEC 60529, IP54

### Construction

- Bodies and covers are formed from 14 gauge steel with 10 gauge steel flanges.
- Continuous flange around wireway ends, requires cables to be pulled through. (For lay-in style, see 1485 Series.)
- Smooth continuously welded seams.
- Interior surfaces are smooth to prevent wire damage during installation.
- Butt hinged covers are secured with easily operated screw clamps.
- Oil resistant gaskets are permanently secured.
- Solid oil resistant gaskets are used between flanges when sections and fittings are bolted together.
- One gasket kit, complete with hardware is provided with each straight section or fitting.

### Finish

- Sections and fittings are finished in ANSI 61 gray.

Quick Link: [hammfg.com/1487](http://hammfg.com/1487)

### Application

- Designed to enclose and protect electrical wiring from dirt, dust, oil and water.
- Ideal for connecting machines to control panels or power sources.

Description	2.5 x 2.5	4 x 4	6 x 6	8 x 8
	Part No.	Part No.	Part No.	Part No.
12" Section	1487B12	1487C12	1487D12	1487E12
24" Section	1487B24	1487C24	1487D24	1487E24
36" Section	1487B36	1487C36	1487D36	1487E36
48" Section	1487B48	1487C48	1487D48	1487E48
60" Section	1487B60	1487C60	1487D60	1487E60
120" Section	1487B120	1487C120	1487D120	1487E120
60" Long Partition (Barrier)	-	1487CB60 <sup>1</sup>	1487DB60 <sup>1</sup>	1487EB60 <sup>1</sup>
1" Nipple	1487BM1	1487CM1	1487DM1	1487EM1
2" Nipple	1487BM2	1487CM2	1487DM2	1487EM2
3" Nipple	1487BM3	1487CM3	1487DM3	1487EM3
6" Nipple	1487BM6	1487CM6	1487DM6	1487EM6
Box Entry Swivel Nipple	1487BV1	1487CV1	1487DV1	1487EV1
Standard Swivel Nipple	1487BV2	1487CV2	1487DV2	1487EV2
Flexible Fitting	1485BFF <sup>1</sup>	1485CFF <sup>1</sup>	1485DFF <sup>1</sup>	1485EFF <sup>1</sup>
Adjustable Fitting	1487BX <sup>1</sup>	1487CX <sup>1</sup>	1487DX <sup>1</sup>	1487EX <sup>1</sup>
Cut-Off Fitting	1487BW <sup>1</sup>	1487CW <sup>1</sup>	1487DW <sup>1</sup>	1487EW <sup>1</sup>
90° Elbow	1487B9P	1487C9P	1487D9P	1487E9P
45° Elbow	1487B4P	1487C4P	1487D4P	1487E4P
22.5° Elbow	1487B2P	1487C2P	1487D2P	1487E2P
Tee Fitting	1487BT	1487CT	1487DT	1487ET
Cross Fitting	1487BY	1487CY	1487DY	1487EY

Distributed by Gross Automation | +1 (262) 252-1600 | [sales@grossautomation.com](mailto:sales@grossautomation.com)

Technical references and CAD downloads available at [www.hammondmfg.com](http://www.hammondmfg.com)

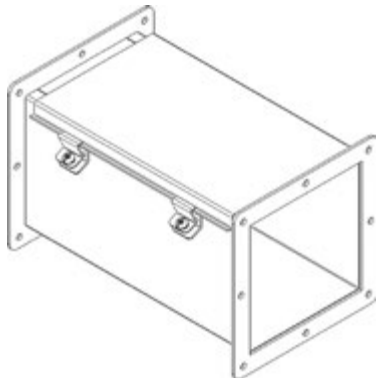
All dimensions in inches unless specified otherwise

Description	2.5 x 2.5 Part No.	4 x 4 Part No.	6 x 6 Part No.	8 x 8 Part No.
<b>Center Hole Reducers</b>				
Reducer - 4 x 4 to 2.5 x 2.5	-	<b>1487CRC</b> <sup>2</sup>	-	-
Reducer - 6 x 6 to 4 x 4	-	-	<b>1487DRC</b> <sup>2</sup>	-
Reducer - 8 x 8 to 4 x 4	-	-	-	<b>1487ERCC</b> <sup>2</sup>
Reducer - 8 x 8 to 6 x 6	-	-	-	<b>1487ERCD</b> <sup>2</sup>
<b>Edge Hole Reducers</b>				
Reducer 4 x 4 to 2.5 x 2.5	-	<b>1487CRE</b> <sup>2</sup>	-	-
Reducer 6 x 6 to 4 x 4	-	-	<b>1487DRE</b> <sup>2</sup>	-
Reducer 8 x 8 to 4 x 4	-	-	-	<b>1487EREC</b> <sup>2</sup>
Reducer 8 x 8 to 6 x 6	-	-	-	<b>1487ERED</b> <sup>2</sup>
Box Connector	<b>1487BK</b> <sup>1</sup>	<b>1487CK</b> <sup>1</sup>	<b>1487DK</b> <sup>1</sup>	<b>1487EK</b> <sup>1</sup>
Drop Hanger	<b>1485BL1</b> <sup>1</sup>	<b>1485CL1</b> <sup>1</sup>	<b>1485DL1</b> <sup>1</sup>	<b>1485EL1</b> <sup>1</sup>
Bracket Hanger	<b>1485BL2</b> <sup>1</sup>	<b>1485CL2</b> <sup>1</sup>	<b>1485DL2</b> <sup>1</sup>	<b>1485EL2</b> <sup>1</sup>
Cover Plate	<b>1487BH</b> <sup>2</sup>	<b>1487CH</b> <sup>2</sup>	<b>1487DH</b> <sup>2</sup>	<b>1487EH</b> <sup>2</sup>
Gasket & Screws	<b>1487BS</b> <sup>1</sup>	<b>1487CS</b> <sup>1</sup>	<b>1487DS</b> <sup>1</sup>	<b>1487ES</b> <sup>1</sup>

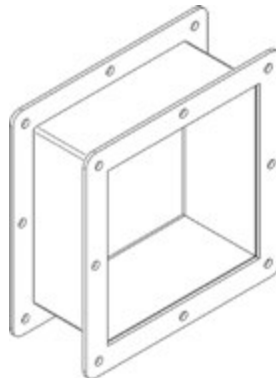
<sup>1</sup> Does not meet CSA or UL requirements

<sup>2</sup> Maintains ratings on CSA and UL approved wireway

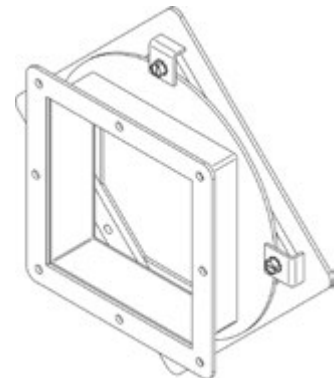
## Typical Straight Section



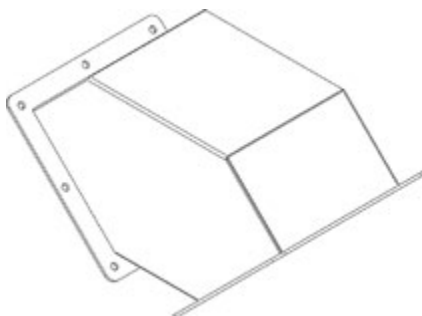
## Nipple



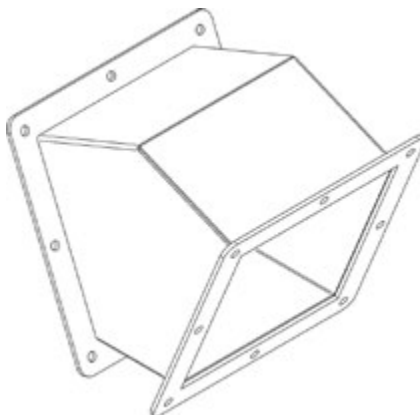
## Swivel Nipple



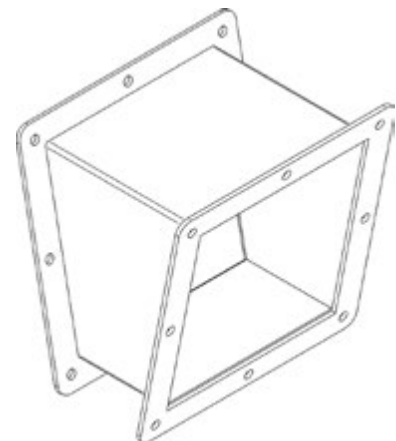
## 90 degree Elbow



## 45 degree Elbow



## 22.5 degree Elbow



Wireway & Trough

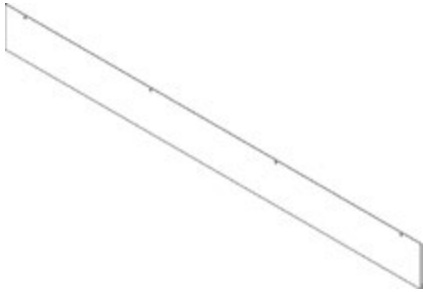
Distributed by Gross Automation | +1 (262) 252-1600 | [sales@grossautomation.com](mailto:sales@grossautomation.com)

Technical references and CAD downloads available at [www.hammondmfg.com](http://www.hammondmfg.com)

All dimensions in inches unless specified otherwise

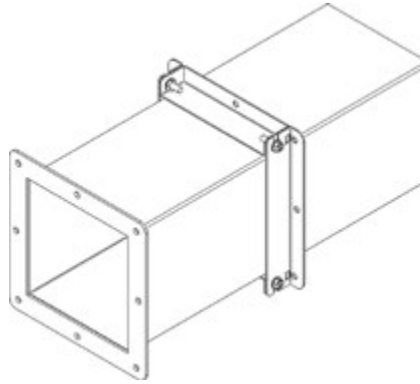
**Quality Products. Service Excellence.**

## Barrier Kit



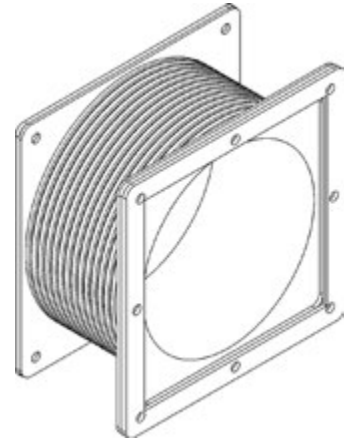
- Divides wireway into two or more compartments. Barriers are fastened to wireway sections with screws.

## Adjustable Fitting



- Allows on site length adjustment of 1.5" to 13.5"

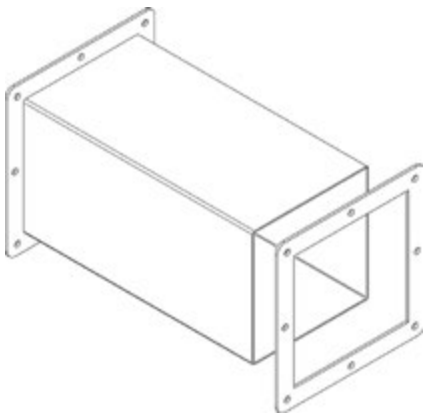
## Flexible Fitting



- Allows for easy alignment of sections or fittings
- Metal flanges
- Flexible synthetic "bellows" middle section

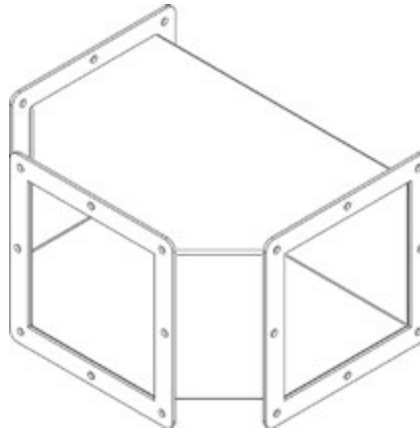
Wireway & Trough

## Cut-Off Fitting (Lay-In)

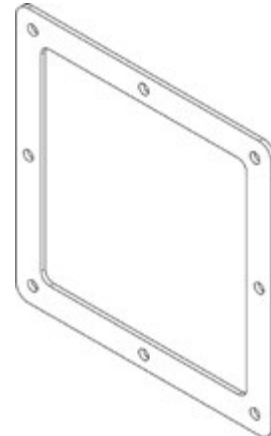


- Body comes in two pieces. Cut-off one piece, shorten cover, and weld together.

## Tee Fitting



## Box Connector

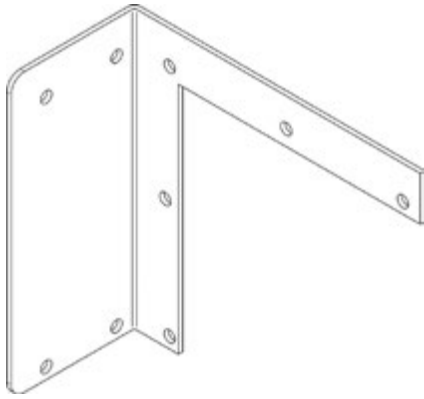


Distributed by Gross Automation | +1 (262) 252-1600 | sales@grossautomation.com

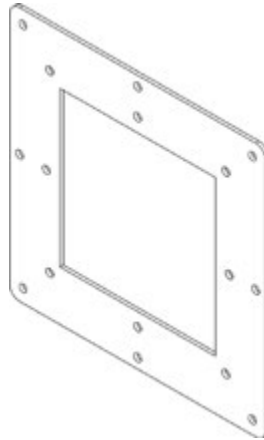
Technical references and CAD downloads available at [www.hammondmfg.com](http://www.hammondmfg.com)

All dimensions in inches unless specified otherwise

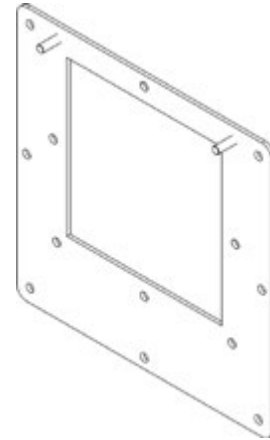
**Bracket Hanger**



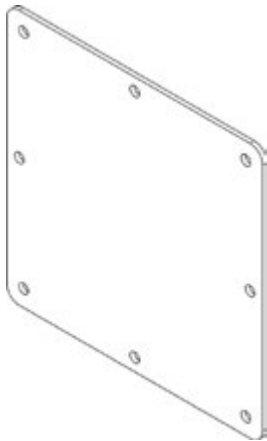
**Reducers (Center Hole)**



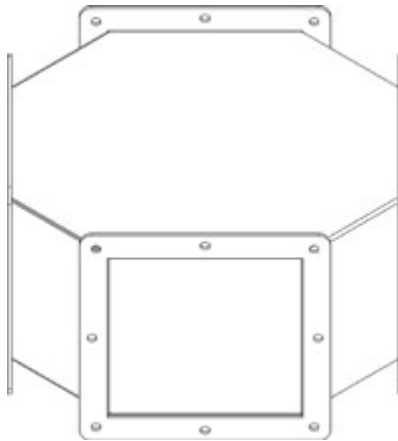
**Reducers (Edge Hole)**



**Cover Plate**



**Cross Fitting**



**Drop Hanger**



**Wireway & Trough**

Distributed by Gross Automation | +1 (262) 252-1600 | [sales@grossautomation.com](mailto:sales@grossautomation.com)

Technical references and CAD downloads available at [www.hammondmfg.com](http://www.hammondmfg.com)

All dimensions in inches unless specified otherwise

**Quality Products. Service Excellence.**

# Type 4X Pull Through Wireway *1487SS Series*

## Wireway & Accessories



Quick Link: [hammfg.com/1487SS](http://hammfg.com/1487SS)

### Application

- Designed to enclose and protect electrical wiring from dirt, dust, oil and water.
- Ideal for connecting machines to control panels or power sources.

### Standards

- UL 870 Type 1, 12, 4, 4X (unless marked<sup>1</sup>)
- CSA Type 1, 12, 4, 4X (unless marked<sup>1</sup>)
- Complies with
  - NEMA Type 1, 12, 4, 4X (unless marked<sup>1</sup>)
  - IEC 60529, IP66

### Construction

- Bodies and covers are formed from 14 gauge 304 stainless steel with 10 gauge flanges.
- Continuous flange around wireway ends, requires cables to be pulled through.
- Smooth continuously welded seams.
- Interior surfaces are smooth to prevent wire damage during installation.
- Butt hinged covers are secured with easily operated screw clamps.
- Oil resistant gaskets are permanently secured.
- Solid oil resistant gaskets are used between flanges when sections and fittings are bolted together.
- One gasket kit, complete with hardware is provided with each straight section or fitting.

### Finish

- Sections and fittings are natural stainless steel with a smooth brushed finish.

	4 x 4	6 x 6	8 x 8
Description	Part No.	Part No.	Part No.
12" Section	1487C12SS	1487D12SS	1487E12SS
24" Section	1487C24SS	1487D24SS	1487E24SS
36" Section	1487C36SS	1487D36SS	1487E36SS
48" Section	1487C48SS	1487D48SS	1487E48SS
60" Section	1487C60SS	1487D60SS	1487E60SS
120" Section	1487C120SS	1487D120SS	1487E120SS
6" Nipple	1487CM6SS	1487DM6SS	1487EM6SS
Standard Swivel Nipple	1487CV2SS	1487DV2SS	1487EV2SS
Flexible Fitting	1487CFFSS <sup>1</sup>	1487DFFSS <sup>1</sup>	1487EFFSS <sup>1</sup>
Adjustable Fitting	1487CXSS <sup>1</sup>	1487DXSS <sup>1</sup>	1487EXSS <sup>1</sup>
90° Elbow	1487C9PSS	1487D9PSS	1487E9PSS
45° Elbow	1487C4PSS	1487D4PSS	1487E4PSS
Tee Fitting	1487CTSS	1487DTSS	1487ETSS
Center Hole Reducers			
Reducer - 6 x 6 to 4 x 4	-	1487DRCSS <sup>2</sup>	-
Reducer - 8 x 8 to 4 x 4	-	-	1487ERCSS <sup>2</sup>
Reducer - 8 x 8 to 6 x 6	-	-	1487ERCDS <sup>2</sup>
Edge Hole Reducers			
Reducer 6 x 6 to 4 x 4	-	1487DRESS <sup>2</sup>	-
Reducer 8 x 8 to 4 x 4	-	-	1487ERECSS <sup>2</sup>
Reducer 8 x 8 to 6 x 6	-	-	1487EREDSS <sup>2</sup>
Box Connector	1487CKSS <sup>1</sup>	1487DKSS <sup>1</sup>	1487EKSS <sup>1</sup>
Drop Hanger	1487CL1SS <sup>1</sup>	1487DL1SS <sup>1</sup>	1487EL1SS <sup>1</sup>
Bracket Hanger	1487CL2SS <sup>1</sup>	1487DL2SS <sup>1</sup>	1487EL2SS <sup>1</sup>
Cover Plate	1487CHSS <sup>2</sup>	1487DHSS <sup>2</sup>	1487EHSS <sup>2</sup>
Gasket & Screws	1487CSSS <sup>1</sup>	1487DSSS <sup>1</sup>	1487ESSS <sup>1</sup>

<sup>1</sup> Does not meet CSA or UL requirements

<sup>2</sup> Maintains ratings on CSA and UL approved wireway

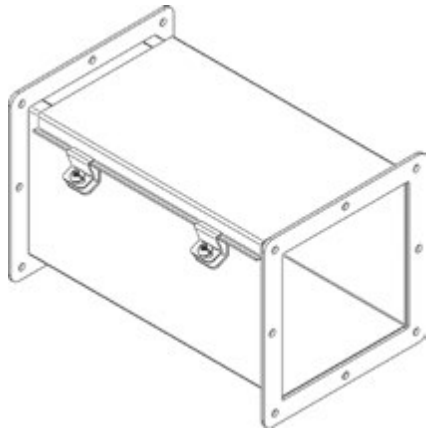
Wireway & Trough

Distributed by Gross Automation | +1 (262) 252-1600 | [sales@grossautomation.com](mailto:sales@grossautomation.com)

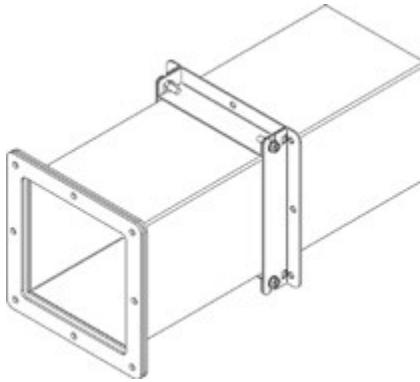
Technical references and CAD downloads available at [www.hammondmfg.com](http://www.hammondmfg.com)

All dimensions in inches unless specified otherwise

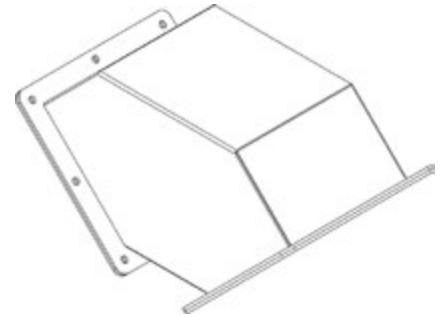
**Typical Straight Section**



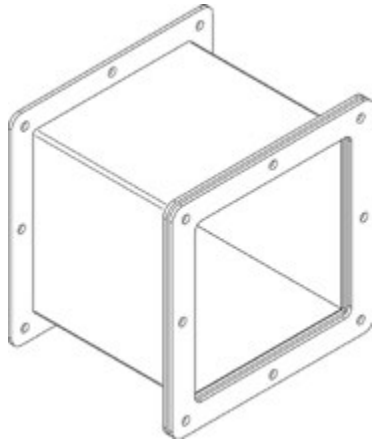
**Adjustable Fitting**



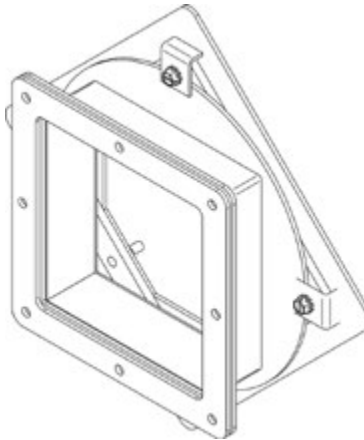
**90 Degree Elbow**



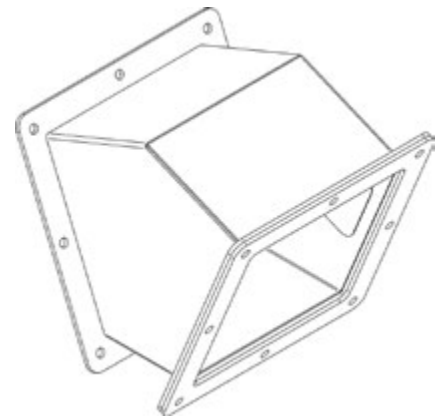
**Nipple**



**Swivel Nipple**

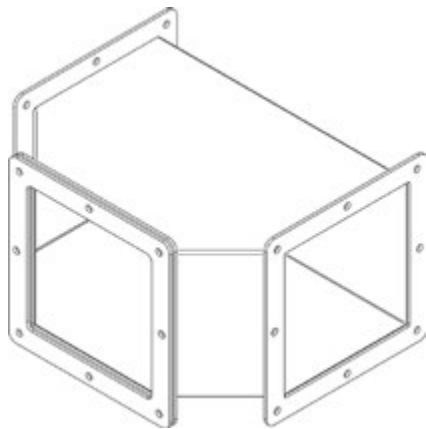


**45 Degree Elbow**

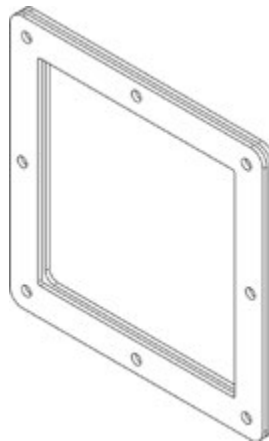


**Wireway & Trough**

**Tee Fitting**



**Box Connector**



**Drop Hanger**



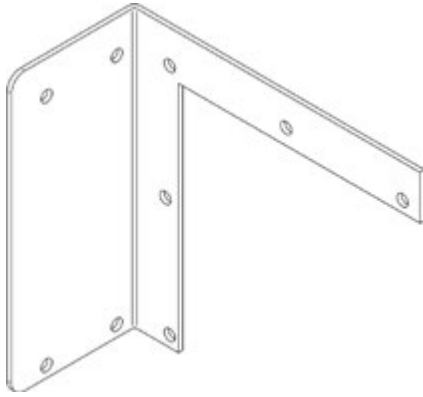
Distributed by Gross Automation | +1 (262) 252-1600 | [sales@grossautomation.com](mailto:sales@grossautomation.com)

Technical references and CAD downloads available at [www.hammondmfg.com](http://www.hammondmfg.com)

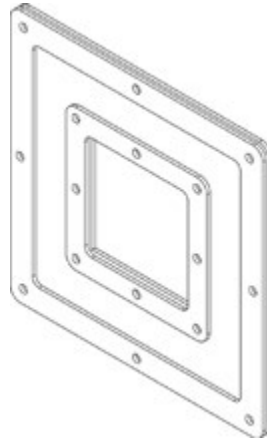
All dimensions in inches unless specified otherwise

**Quality Products. Service Excellence.**

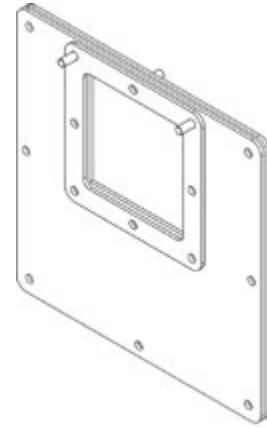
## Bracket Hanger



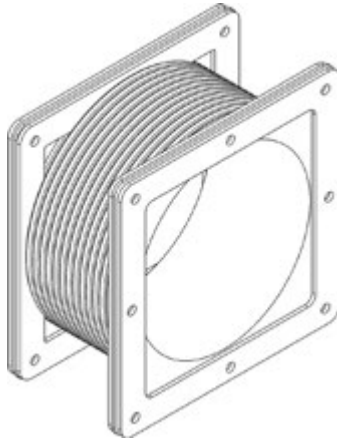
## Reducers (Center Hole)



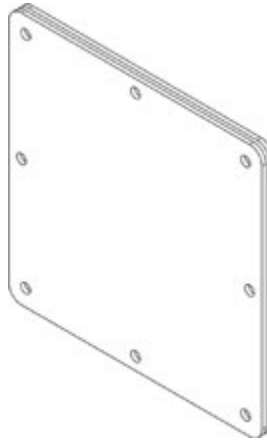
## Reducers (Edge Hole)



## Flexible Fitting



## Cover Plate



Wireway & Trough

- Allows for easy alignment of sections or fittings
- Metal flanges
- Flexible synthetic “bellows” middle section

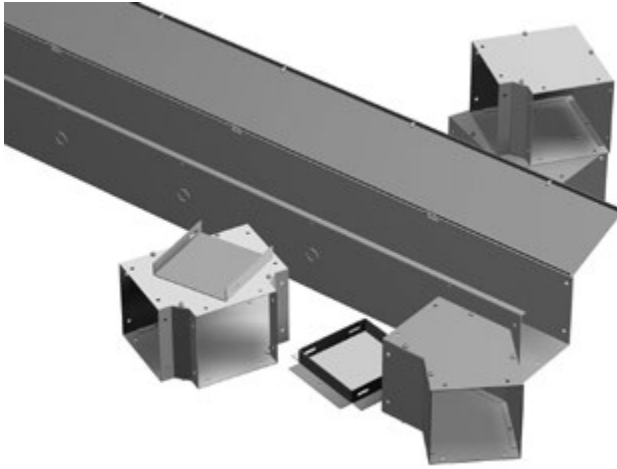
Distributed by Gross Automation | +1 (262) 252-1600 | sales@grossautomation.com

Technical references and CAD downloads available at [www.hammondmfg.com](http://www.hammondmfg.com)

All dimensions in inches unless specified otherwise

## Type 1 Lay-In Wireway *CW Series*

### Wireway & Accessories



Quick Link: [hammfg.com/CW](http://hammfg.com/CW)

### Application

- Construction designed to ensure electrical continuity and to permit fast and easy indoor installation of multiple wireway runs.

### Standards

- UL-50 Type 1
- cUL Type 1
- Complies with
  - IEC 60529, IP20

### Construction - Screw Cover

- Formed from 16 or 14 gauge steel
- Flat covers have keyhole screw slots
- Available with or without knockouts
- Straight sections are provided with adequate concentric knockouts (1/2", 3/4" conduit size)
- Unobstructed interior speeds up laying of cables
- Optional hanger brackets allow for vertical or horizontal mounting
- Joiners sold separately

### Construction - Hinge Cover

- Formed from 16 or 14 gauge steel
- Hinge covers are hinged on 24" centers
- Available with or without knockouts
- Straight sections are provided with adequate concentric knockouts (1/2", 3/4" conduit size)
- Knockouts are on 12" centers
- Joiner is included with each straight section
- Unobstructed interior speeds up laying of cables
- Optional hanger brackets allow for vertical or horizontal mounting

### Finish

- Sections and components are finished in ANSI 61 gray. Couplings are unpainted galvanized

**Wireway & Trough**

### Screw Cover - Straight Section

Length	Knock Outs	2.5 x 2.5	4 x 4	6 x 6	8 x 8	10 x 10	12 x 12
12.00	w/KO	CWSC212	CWSC412	CWSC612	CWSC812	-	CWSC1212
18.00	w/KO	-	-	-	-	-	-
24.00	w/KO	CWSC224	CWSC424	CWSC624	CWSC824	-	CWSC1224
36.00	w/KO	CWSC236	CWSC436	CWSC636	CWSC836	-	CWSC1236
48.00	w/KO	CWSC248	CWSC448	CWSC648	CWSC848	-	CWSC1248
60.00	w/KO	CWSC260	CWSC460	CWSC660	CWSC860	-	CWSC1260
72.00	w/KO	-	CWSC472	CWSC672	-	-	-
96.00	w/KO	-	-	-	-	-	-
120.00	w/KO	CWSC2120	CWSC4120	CWSC6120	CWSC8120	-	-
12.00	No KO	CWSC212NK	CWSC412NK	CWSC612NK	CWSC812NK	CWSC1012NK	CWSC1212NK
18.00	No KO	-	CWSC418NK	CWSC618NK	CWSC818NK	-	-
24.00	No KO	CWSC224NK	CWSC424NK	CWSC624NK	CWSC824NK	CWSC1024NK	CWSC1224NK
36.00	No KO	CWSC236NK	CWSC436NK	CWSC636NK	CWSC836NK	CWSC1036NK	CWSC1236NK
48.00	No KO	CWSC248NK	CWSC448NK	CWSC648NK	CWSC848NK	CWSC1048NK	CWSC1248NK
60.00	No KO	CWSC260NK	CWSC460NK	CWSC660NK	CWSC860NK	CWSC1060NK	CWSC1260NK
72.00	No KO	-	CWSC472NK	CWSC672NK	CWSC872NK	CWSC1072NK	CWSC1272NK
96.00	No KO	-	-	-	-	CWSC1096NK	CWSC1296NK
120.00	No KO	CWSC2120NK	CWSC4120NK	CWSC6120NK	CWSC8120NK	CWSC10120NK	CWSC12120NK

Distributed by Gross Automation | +1 (262) 252-1600 | [sales@grossautomation.com](mailto:sales@grossautomation.com)

Technical references and CAD downloads available at [www.hammondmfg.com](http://www.hammondmfg.com)

All dimensions in inches unless specified otherwise

**Quality Products. Service Excellence.**

## Type 1 Lay-In Wireway *CW Series*

### Wireway & Accessories

#### Hinge Cover - Straight Section

Length	Knock Outs	2.5 x 2.5	4 x 4	6 x 6	8 x 8	10 x 10	12 x 12
12.00	w/KO	CWST212	CWST412	CWST612	CWST812	-	-
18.00	w/KO	-	-	-	-	-	-
24.00	w/KO	CWST224	CWST424	CWST624	CWST824	-	-
36.00	w/KO	CWST236	CWST436	CWST636	CWST836	-	-
48.00	w/KO	CWST248	CWST448	CWST648	CWST848	-	-
60.00	w/KO	CWST260	CWST460	CWST660	CWST860	-	-
72.00	w/KO	CWST272	CWST472	CWST672	CWST872	-	-
96.00	w/KO	CWST296	CWST496	CWST696	CWST896	-	-
120.00	w/KO	CWST2120	CWST4120	CWST6120	CWST8120	-	-
12.00	No KO	CWST212NK	CWST412NK	CWST612NK	CWST812NK	CWST1012NK	CWST1212NK
18.00	No KO	-	CWST418NK	CWST618NK	CWST818NK	-	-
24.00	No KO	CWST224NK	CWST424NK	CWST624NK	CWST824NK	CWST1024NK	CWST1224NK
36.00	No KO	CWST236NK	CWST436NK	CWST636NK	CWST836NK	CWST1036NK	CWST1236NK
48.00	No KO	CWST248NK	CWST448NK	CWST648NK	CWST848NK	CWST1048NK	CWST1248NK
60.00	No KO	CWST260NK	CWST460NK	CWST660NK	CWST860NK	CWST1060NK	CWST1260NK
72.00	No KO	-	CWST472NK	CWST672NK	CWST872NK	CWST1072NK	CWST1272NK
96.00	No KO	-	CWST496NK	CWST696NK	CWST896NK	CWST1096NK	CWST1296NK
120.00	No KO	CWST2120NK	CWST4120NK	CWST6120NK	CWST8120NK	CWST10120NK	CWST12120NK

Wireway &amp; Trough

Accessories	2.5 x 2.5	4 x 4	6 x 6	8 x 8	10 x 10	12 x 12
Straight Section Barrier 60"	CWBA260	CWBA460	CWBA660	CWBA860	-	-
Elbow 90 degrees	CWEL290	CWEL490	CWEL690	CWEL890	CWEL1090	CWEL1290
Elbow 45 degrees	CWEL245	CWEL445	CWEL645	CWEL845	CWEL1045	CWEL1245
Elbow 22.5 degrees	CWEL222	CWEL422	CWEL622	CWEL822	-	-
Tee Fitting	CWTF2	CWTF4	CWTF6	CWTF8	CWTF10	CWTF12
Cross Fitting	CWCF2	CWCF4	CWCF6	CWCF8	CWCF10	CWCF12
Reducer 4 x 4 to 2.5 x 2.5	-	CWRD42	-	-	-	-
Reducer 6 x 6 to 4 x 4	-	-	CWRD64	-	-	-
Reducer 8 x 8 to 6 x 6	-	-	-	CWRD86	-	-
Reducer 10 x 10 to 8 x 8	-	-	-	-	CWRD108	-
Reducer 12 x 12 to 8 x 8	-	-	-	-	-	CWRD128
Reducer 12 x 12 to 10 x 10	-	-	-	-	-	CWRD1210
Corner Reducer 4 x 4 to 2.5 x 2.5	-	CWCRD42	-	-	-	-
Corner Reducer 6 x 6 to 4 x 4	-	-	CWCRD64	-	-	-
Corner Reducer 8 x 8 to 6 x 6	-	-	-	CWCRD86	-	-
Bracket Hanger Ceiling Type	CWHD2	CWHD4	CWHD6	CWHD8	CWHD10	CWHD12
Bracket Hanger Wall Type	CWHW2	CWHW4	CWHW6	CWHW8	CWHW10	CWHW12
Closing Plate	CWCP2	CWCP4	CWCP6	CWCP8	CWCP10	CWCP12
Closing Plate w/o Knockouts	CWCP2NK	CWCP4NK	CWCP6NK	CWCP8NK	CWCP10NK	CWCP12NK
Adapter (Box Connector)	CWAD2	CWAD4	CWAD6	CWAD8	CWAD10	CWAD12
Joiner	CWJO2	CWJO4	CWJO6	CWJO8	CWJO10	CWJO12
Telescope Fitting	CWTL2	CWTL4	CWTL6	CWTL8	CWTL10	CWTL12

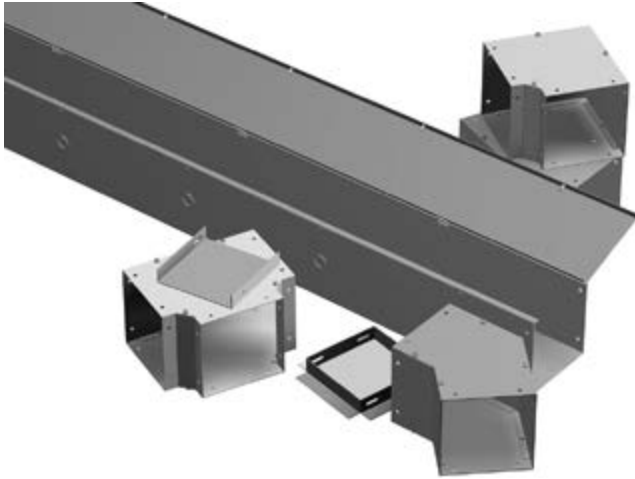
 Distributed by Gross Automation | +1 (262) 252-1600 | [sales@grossautomation.com](mailto:sales@grossautomation.com)

 Technical references and CAD downloads available at [www.hammondmfg.com](http://www.hammondmfg.com)

All dimensions in inches unless specified otherwise

## Type 1 Galvanized Lay-In Wireway *CWG Series*

### Wireway & Accessories



Quick Link: [hammfg.com/CWG](http://hammfg.com/CWG)

### Application

- Construction designed to ensure electrical continuity and to permit fast and easy indoor installation of multiple wireway runs.

### Standards

- UL-50 Type 1
- cUL Type 1
- Complies with
  - IEC 60529, IP20

### Construction

- Formed from 16 or 14 gauge unpainted G90 galvanized steel
- Flat covers have keyhole screw slots
- Straight sections are offered with/without adequate concentric knockouts (1/2", 3/4" conduit size)
- Unobstructed interior speeds up laying of cables
- Optional hanger brackets allow for vertical or horizontal mounting
- Joiners sold separately

### Finish

- Sections, components, and couplings are unpainted galvanized

### Accessories

- Type 1 Lay In Screw Cover Wireway...*See Page 201*
- Joiner...*See Page 201*
- Reducer...*See Page 202*
- Cross Fitting...*See Page 201*
- Tee Fitting...*See Page 201*
- Telescope Fitting...*See Page 202*
- 90 degree Elbow...*See Page 202*
- 45 degree Elbow...*See Page 202*
- Bracket Hanger Wall Type...*See Page 202*
- Closing Plate...*See Page 202*
- Closing Plate - w/o Knockouts...*See Page 202*
- Adapter (Box Connector)...*See Page 202*

Distributed by Gross Automation | +1 (262) 252-1600 | [sales@grossautomation.com](mailto:sales@grossautomation.com)

Technical references and CAD downloads available at [www.hammondmfg.com](http://www.hammondmfg.com)

All dimensions in inches unless specified otherwise

Quality Products. Service Excellence.

# Type 1 Galvanized Lay-In Wireway *CWG Series*

## Wireway & Accessories

### Screw Cover - Straight Section

Length	Knock Outs	2.5 x 2.5	4 x 4	6 x 6	8 x 8	10 x 10	12 x 12
12.00	w/KO	CWSC212G	CWSC412G	CWSC612G	CWSC812G		CWSC1212G
24.00	w/KO	CWSC224G	CWSC424G	CWSC624G	CWSC824G		CWSC1224G
36.00	w/KO	CWSC236G	CWSC436G	CWSC636G	CWSC836G		CWSC1236G
48.00	w/KO	CWSC248G	CWSC448G	CWSC648G	CWSC848G		CWSC1248G
60.00	w/KO	CWSC260G	CWSC460G	CWSC660G	CWSC860G		CWSC1260G
72.00	w/KO		CWSC472G	CWSC672G	CWSC872G		
120.00	w/KO	CWSC2120G	CWSC4120G	CWSC6120G	CWSC8120G		
12.00	No KO	CWSC212GNK	CWSC412GNK	CWSC612GNK	CWSC812GNK	CWSC1012GNK	CWSC1212GNK
18.00	No KO		CWSC418GNK	CWSC618GNK	CWSC818GNK		
24.00	No KO	CWSC224GNK	CWSC424GNK	CWSC624GNK	CWSC824GNK	CWSC1024GNK	CWSC1224GNK
36.00	No KO	CWSC236GNK	CWSC436GNK	CWSC636GNK	CWSC836GNK	CWSC1036GNK	CWSC1236GNK
48.00	No KO	CWSC248GNK	CWSC448GNK	CWSC648GNK	CWSC848GNK	CWSC1048GNK	CWSC1248GNK
60.00	No KO	CWSC260GNK	CWSC460GNK	CWSC660GNK	CWSC860GNK	CWSC1060GNK	CWSC1260GNK
72.00	No KO		CWSC472GNK	CWSC672GNK	CWSC872GNK	CWSC1072GNK	CWSC1272GNK
96.00	No KO					CWSC1096GNK	CWSC1296GNK
120.00	No KO	CWSC2120GNK	CWSC4120GNK	CWSC6120GNK	CWSC8120GNK	CWSC10120GNK	CWSC12120GNK

### Fittings/Components

Accessories	2.5 x 2.5	4 x 4	6 x 6	8 x 8	10 x 10	12 x 12
Elbow 90 degrees - Galv	CWEL290G	CWEL490G	CWEL690G	CWEL890G	CWEL1090G	CWEL1290G
Elbow 45 degrees - Galv	CWEL245G	CWEL445G	CWEL645G	CWEL845G	CWEL1045G	CWEL1245G
Tee Fitting - Galv	CWTF2G	CWTF4G	CWTF6G	CWTF8G	CWTF10G	CWTF12G
Cross Fitting - Galv	CWCF2G	CWCF4G	CWCF6G	CWCF8G	CWCF10G	CWCF12G
Reducer 4 x 4 to 2.5 x 2.5 - Galv		CWRD42G				
Reducer 6 x 6 to 4 x 4 - Galv			CWRD64G			
Reducer 8 x 8 to 6 x 6 - Galv				CWRD86G		
Reducer 10 x 10 to 8 x 8 - Galv					CWRD108G	
Reducer 12 x 12 to 10 x 10 - Galv						CWRD1210G
Bracket Hanger Wall Type - Galv	CWHW2G	CWHW4G	CWHW6G	CWHW8G	CWHW10G	CWHW12G
Closing Plate - Galv	CWCP2G	CWCP4G	CWCP6G	CWCP8G	CWCP10G	CWCP12G
Closing Plate w/o Knockouts - Galv	CWCP2GNK	CWCP4GNK	CWCP6GNK	CWCP8GNK	CWCP10GNK	CWCP12GNK
Adapter (Box Connector) - Galv	CWAD2G	CWAD4G	CWAD6G	CWAD8G	CWAD10G	CWAD12G
Joiner	CWJO2	CWJO4	CWJO6	CWJO8	CWJO10	CWJO12
Telescope Fitting - Galv	CWTL2G	CWTL4G	CWTL6G	CWTL8G	CWTL10G	CWTL12G

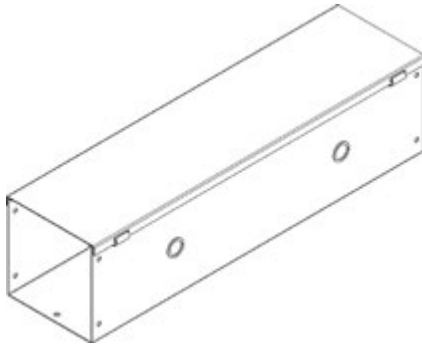
Wireway &amp; Trough

 Distributed by Gross Automation | +1 (262) 252-1600 | [sales@grossautomation.com](mailto:sales@grossautomation.com)

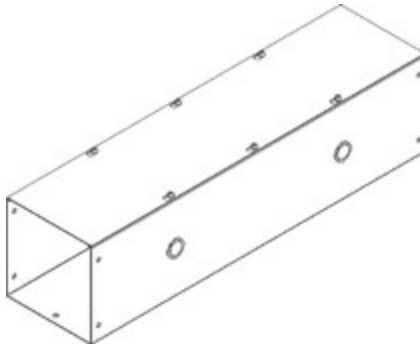
 Technical references and CAD downloads available at [www.hammondmfg.com](http://www.hammondmfg.com)

All dimensions in inches unless specified otherwise

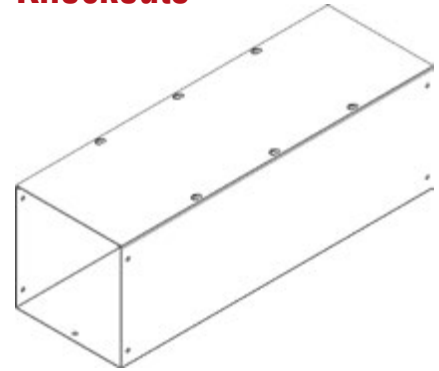
**Type 1 Lay In Hinge  
Cover Wireway**



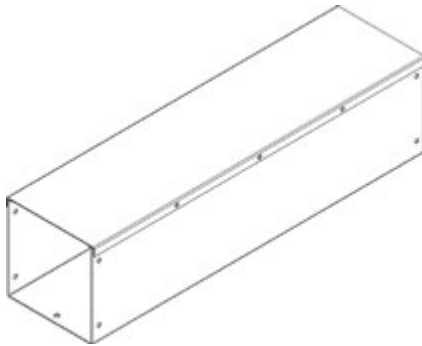
**Type 1 Lay In Screw  
Cover Wireway**



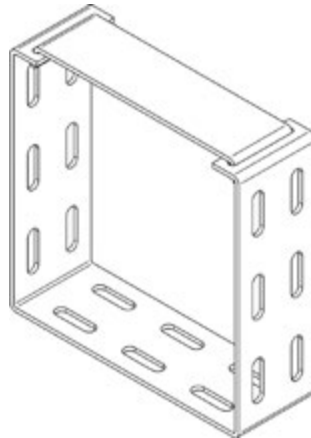
**Type 1 Lay In Screw  
Cover Wireway - w/o  
Knockouts**



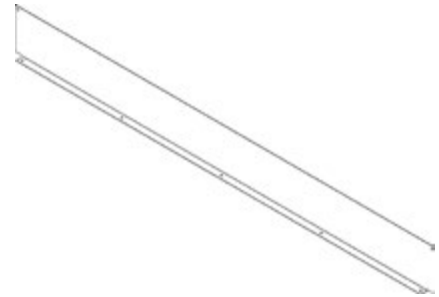
**Type 1 Lay In Hinge  
Cover Wireway - w/o  
Knockouts**



**Joiner**

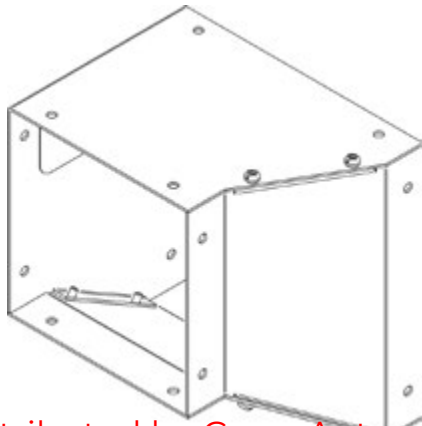


**Straight Section Barrier**

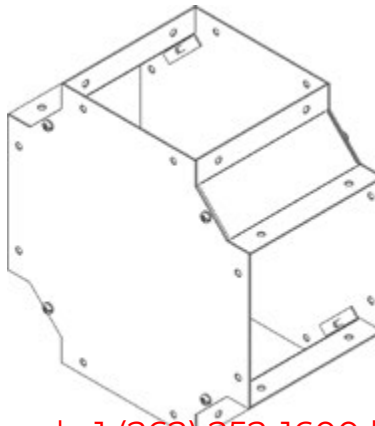


Wireway & Trough

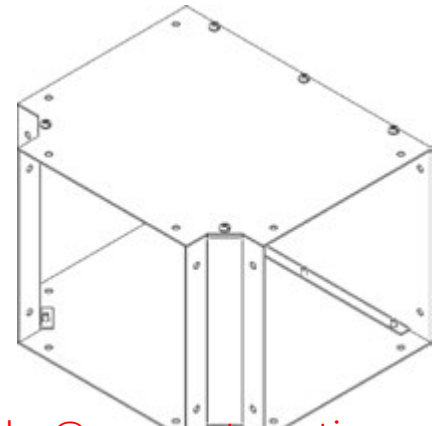
**Corner Reducer**



**Cross Fitting**



**Tee Fitting**



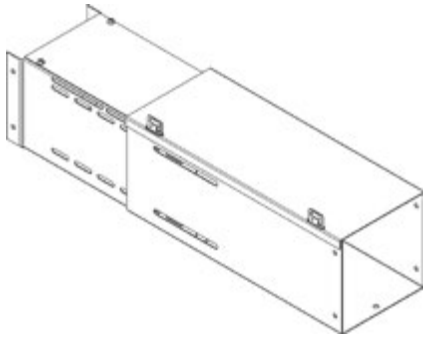
Distributed by Gross Automation | +1 (262) 252-1600 | sales@grossautomation.com

Technical references and CAD downloads available at [www.hammondmfg.com](http://www.hammondmfg.com)

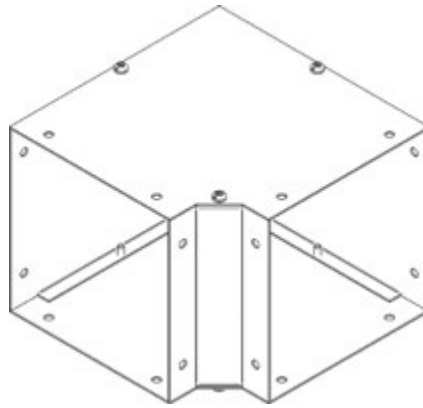
All dimensions in inches unless specified otherwise

**Quality Products. Service Excellence.**

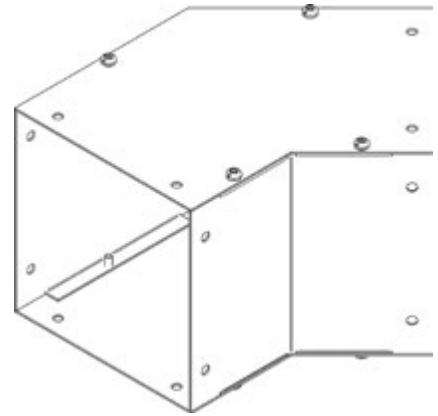
**Telescope Fitting**



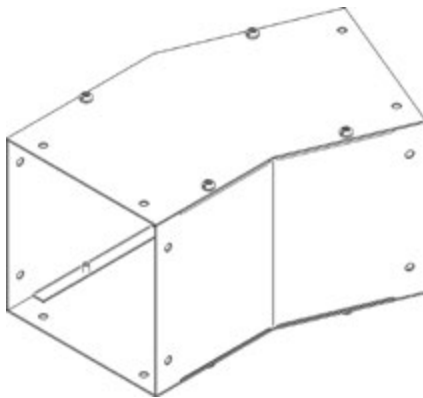
**90 degree Elbow**



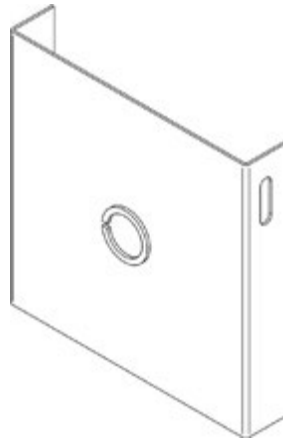
**45 degree Elbow**



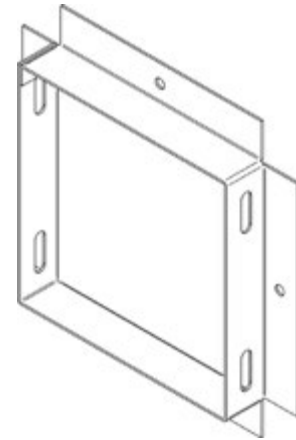
**22.5 degree Elbow**



**Closing Plate**

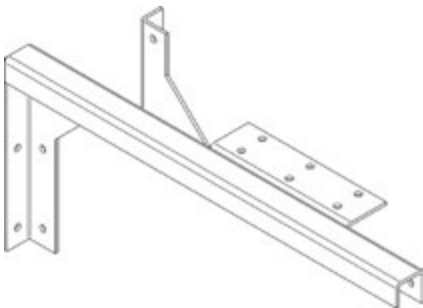


**Adapter (Box Connector)**

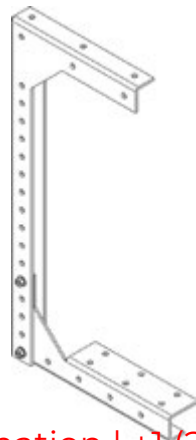


Wireway & Trough

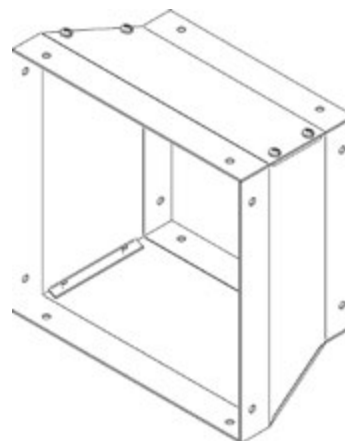
**Bracket Hanger  
Wall Type**



**Bracket Hanger  
Ceiling Type**



**Reducer**



**Closing Plate -  
w/o Knockouts**



Distributed by Gross Automation | +1 (262) 252-1600 | [sales@grossautomation.com](mailto:sales@grossautomation.com)

Technical references and CAD downloads available at [www.hammondmfg.com](http://www.hammondmfg.com)

All dimensions in inches unless specified otherwise

## Type 1 Gutter Trough *CGT Series*



Part No.	Enclosure		
	H	D	L
CGT1244	4.00	4.00	12.00
CGT1266	6.00	6.00	12.00
CGT1844	4.00	4.00	18.00
CGT1866	6.00	6.00	18.00
CGT2444	4.00	4.00	24.00
CGT2466	6.00	6.00	24.00
CGT3644	4.00	4.00	36.00
CGT3666	6.00	6.00	36.00
CGT4844	4.00	4.00	48.00
CGT4866	6.00	6.00	48.00

Quick Link: [hammfg.com/CGT](http://hammfg.com/CGT)

### Application

- Designed for use as a junction or pull box.

### Standards

- UL870 Type 1
- cUL Type 1
- Complies with
  - NEMA Type 1
  - IEC 60529, IP20

### Construction

- Formed and spot welded from 16 gauge steel
- Mounting holes on back of enclosure
- Flat cover is secured with screws
- Two grounding point embosses on enclosure body

### Finish

- Enclosure and cover are finished in ANSI 61 gray powder coating.

Distributed by Gross Automation | +1 (262) 252-1600 | [sales@grossautomation.com](mailto:sales@grossautomation.com)

Technical references and CAD downloads available at [www.hammondmfg.com](http://www.hammondmfg.com)

All dimensions in inches unless specified otherwise

**Quality Products. Service Excellence.**

## Type 3R Wiring Trough *C3RWT Series*



Quick Link: [hammfg.com/C3RWT](http://hammfg.com/C3RWT)

### Application

- Designed for use to protect multiple wiring junctions in outdoor environments against the ingress of rain, sleet, snow and the external formation of ice.

### Standards

- UL870 Type 3R
- CSA Type 3R
- Complies with
  - NEMA Type 3R
  - IEC 60529, IP24

### Construction

- Formed and spot welded from 14 or 16 gauge galvanized steel
- Drip shield top design protects the enclosure against rain, snow or sleet
- Embossed mounting holes on back of enclosure
- Slip on removable front cover is secured with screws
- Padlocking hasp
- To fully comply with UL870 - 2008 requirements a bonding stud is provided on the cover and a ground stud is provided in the enclosure
- A #10 AWG - 12" grounding strap with crimped on ring terminals is also provided to comply with UL requirements

### Finish

- Enclosure and cover are finished in ANSI 61 gray powder coating.

Part No.	Enclosure		
	H	D	L
C3RWT412	4.00	4.00	12.00
C3RWT418	4.00	4.00	18.00
C3RWT424	4.00	4.00	24.00
C3RWT436	4.00	4.00	36.00
C3RWT448	4.00	4.00	48.00
C3RWT460	4.00	4.00	60.00
C3RWT472	4.00	4.00	72.00
C3RWT612	6.00	6.00	12.00
C3RWT618	6.00	6.00	18.00
C3RWT624	6.00	6.00	24.00
C3RWT636	6.00	6.00	36.00
C3RWT648	6.00	6.00	48.00
C3RWT660	6.00	6.00	60.00
C3RWT672	6.00	6.00	72.00
C3RWT812	8.00	8.00	12.00
C3RWT824	8.00	8.00	24.00
C3RWT836	8.00	8.00	36.00
C3RWT848	8.00	8.00	48.00
C3RWT860	8.00	8.00	60.00
C3RWT872	8.00	8.00	72.00
C3RWT896	8.00	8.00	96.00
C3RWT8116	8.00	8.00	116.00
C3RWT1024	10.00	10.00	24.00
C3RWT1036	10.00	10.00	36.00
C3RWT1048	10.00	10.00	48.00
C3RWT1060	10.00	10.00	60.00
C3RWT1072	10.00	10.00	72.00
C3RWT1096	10.00	10.00	96.00
C3RWT10116	10.00	10.00	116.00
C3RWT1224	12.00	12.00	24.00
C3RWT1236	12.00	12.00	36.00
C3RWT1248	12.00	12.00	48.00
C3RWT1260	12.00	12.00	60.00
C3RWT1272	12.00	12.00	72.00
C3RWT1284	12.00	12.00	84.00
C3RWT1296	12.00	12.00	96.00
C3RWT12116	12.00	12.00	116.00

Wireway & Trough

Distributed by Gross Automation | +1 (262) 252-1600 | [sales@grossautomation.com](mailto:sales@grossautomation.com)

Technical references and CAD downloads available at [www.hammondmfg.com](http://www.hammondmfg.com)

All dimensions in inches unless specified otherwise

## Type 3R Galvanized Wiring Trough *C3RWTG Series*



Quick Link: [hammfg.com/C3RWTG](http://hammfg.com/C3RWTG)

### Application

- Designed for use to protect multiple wiring junctions in outdoor environments against the ingress of rain, sleet, snow and the external formation of ice.

### Standards

- UL870 Type 3R
- CSA Type 3R
- Complies with
  - NEMA Type 3R
  - IEC 60529, IP24

### Construction

- Formed and spot welded from 14 or 16 gauge galvanized steel
- Drip shield top design protects the enclosure against rain, snow or sleet
- Embossed mounting holes on back of enclosure
- Slip on removable front cover is secured with screws
- Padlocking hasp
- To fully comply with UL870 - 2008 requirements a bonding stud is provided on the cover and a ground stud is provided in the enclosure
- A #10 AWG - 12" grounding strap with crimped on ring terminals is also provided to comply with UL requirements

### Finish

- Unpainted galvanized steel.

Part No.	Enclosure		
	H	D	L
C3RWT412G	4.00	4.00	12.00
C3RWT418G	4.00	4.00	18.00
C3RWT424G	4.00	4.00	24.00
C3RWT436G	4.00	4.00	36.00
C3RWT448G	4.00	4.00	48.00
C3RWT460G	4.00	4.00	60.00
C3RWT472G	4.00	4.00	72.00
C3RWT612G	6.00	6.00	12.00
C3RWT618G	6.00	6.00	18.00
C3RWT624G	6.00	6.00	24.00
C3RWT636G	6.00	6.00	36.00
C3RWT648G	6.00	6.00	48.00
C3RWT660G	6.00	6.00	60.00
C3RWT672G	6.00	6.00	72.00
C3RWT812G	8.00	8.00	12.00
C3RWT824G	8.00	8.00	24.00
C3RWT836G	8.00	8.00	36.00
C3RWT848G	8.00	8.00	48.00
C3RWT860G	8.00	8.00	60.00
C3RWT872G	8.00	8.00	72.00
C3RWT896G	8.00	8.00	96.00
C3RWT8116G	8.00	8.00	116.00
C3RWT1024G	10.00	10.00	24.00
C3RWT1036G	10.00	10.00	36.00
C3RWT1048G	10.00	10.00	48.00
C3RWT1060G	10.00	10.00	60.00
C3RWT1072G	10.00	10.00	72.00
C3RWT1096G	10.00	10.00	96.00
C3RWT10116G	10.00	10.00	116.00
C3RWT1224G	12.00	12.00	24.00
C3RWT1236G	12.00	12.00	36.00
C3RWT1248G	12.00	12.00	48.00
C3RWT1260G	12.00	12.00	60.00
C3RWT1272G	12.00	12.00	72.00
C3RWT1284G	12.00	12.00	84.00
C3RWT1296G	12.00	12.00	96.00
C3RWT12116G	12.00	12.00	116.00

Distributed by Gross Automation | +1 (262) 252-1600 | [sales@grossautomation.com](mailto:sales@grossautomation.com)

Technical references and CAD downloads available at [www.hammondmfg.com](http://www.hammondmfg.com)

All dimensions in inches unless specified otherwise

**Quality Products. Service Excellence.**

## Type 4/12 Wiring Trough 1486 Series



Quick Link: [hammfg.com/1486](http://hammfg.com/1486)

### Application

- Designed to enclose and protect multiple wiring junctions from dirt, dust, oil and water.

### Standards

- UL 870 Type 1, 12, 4
- CSA Type 1, 12, 4
- Complies with
  - NEMA Type 12, 4
  - IEC 60529, IP66

### Construction

- Formed 14 gauge steel.
- Smooth continuously welded seams.
- Butt hinged cover is secured with easily operated stainless steel screw clamps.
- Oil resistant gaskets are permanently secured.
- 12 gauge external mounting feet are welded to the back.

### Finish

- Troughs and covers are finished in ANSI 61 gray powder coating.

Part No.	Enclosure		
	H	D	L
1486B12	2.50	2.50	12.00
1486B18	2.50	2.50	18.00
1486B24	2.50	2.50	24.00
1486B30	2.50	2.50	30.00
1486B36	2.50	2.50	36.00
1486B48	2.50	2.50	48.00
1486B60	2.50	2.50	60.00
1486B72	2.50	2.50	72.00
1486C12	4.00	4.00	12.00
1486C18	4.00	4.00	18.00
1486C24	4.00	4.00	24.00
1486C30	4.00	4.00	30.00
1486C36	4.00	4.00	36.00
1486C48	4.00	4.00	48.00
1486C60	4.00	4.00	60.00
1486C72	4.00	4.00	72.00
1486D12	6.00	6.00	12.00
1486D18	6.00	6.00	18.00
1486D24	6.00	6.00	24.00
1486D30	6.00	6.00	30.00
1486D36	6.00	6.00	36.00
1486D48	6.00	6.00	48.00
1486D60	6.00	6.00	60.00
1486D72	6.00	6.00	72.00
1486E12	8.00	8.00	12.00
1486E24	8.00	8.00	24.00
1486E36	8.00	8.00	36.00
1486E48	8.00	8.00	48.00
1486E60	8.00	8.00	60.00
1486G24	12.00	12.00	24.00
1486G36	12.00	12.00	36.00
1486G48	12.00	12.00	48.00
1486G60	12.00	12.00	60.00

Wireway & Trough

Distributed by Gross Automation | +1 (262) 252-1600 | [sales@grossautomation.com](mailto:sales@grossautomation.com)

Technical references and CAD downloads available at [www.hammondmfg.com](http://www.hammondmfg.com)

All dimensions in inches unless specified otherwise

## Type 4X Wiring Trough 1486SS Series

### 1486SS Series



Quick Link: [hammfg.com/1486SS](http://hammfg.com/1486SS)

#### Application

- Designed to enclose and protect multiple wiring junctions from dirt, dust, oil and water while providing a measure of corrosion protection.

#### Standards

- UL 870 Type 1, 12, 4, 4X
- CSA Type 1, 12, 4, 4X
- Complies with
  - NEMA Type 12, 4, 4X
  - IEC 60529, IP66

#### Construction

- Formed 14 gauge 304 stainless steel.
- Smooth continuously welded seams.
- Butt hinged cover is secured with easily operated screw clamps.
- Oil resistant gaskets are permanently secured.
- 12 gauge external mounting feet are welded to the back.

#### Finish

- Troughs and covers are natural stainless steel with a smooth brushed finish.

Part No.	Enclosure		
	H	D	L
1486B12SS	2.50	2.50	12.00
1486B18SS	2.50	2.50	18.00
1486B24SS	2.50	2.50	24.00
1486B30SS	2.50	2.50	30.00
1486B36SS	2.50	2.50	36.00
1486B48SS	2.50	2.50	48.00
1486B60SS	2.50	2.50	60.00
1486B72SS	2.50	2.50	72.00
1486C12SS	4.00	4.00	12.00
1486C18SS	4.00	4.00	18.00
1486C24SS	4.00	4.00	24.00
1486C30SS	4.00	4.00	30.00
1486C36SS	4.00	4.00	36.00
1486C48SS	4.00	4.00	48.00
1486C60SS	4.00	4.00	60.00
1486C72SS	4.00	4.00	72.00
1486D12SS	6.00	6.00	12.00
1486D18SS	6.00	6.00	18.00
1486D24SS	6.00	6.00	24.00
1486D30SS	6.00	6.00	30.00
1486D36SS	6.00	6.00	36.00
1486D48SS	6.00	6.00	48.00
1486D60SS	6.00	6.00	60.00
1486D72SS	6.00	6.00	72.00
1486E12SS	8.00	8.00	12.00
1486E24SS	8.00	8.00	24.00
1486E36SS	8.00	8.00	36.00
1486E48SS	8.00	8.00	48.00
1486E60SS	8.00	8.00	60.00
1486G24SS	12.00	12.00	24.00
1486G36SS	12.00	12.00	36.00
1486G48SS	12.00	12.00	48.00
1486G60SS	12.00	12.00	60.00

Wireway & Trough

Distributed by Gross Automation | +1 (262) 252-1600 | [sales@grossautomation.com](mailto:sales@grossautomation.com)

Technical references and CAD downloads available at [www.hammondmfg.com](http://www.hammondmfg.com)

All dimensions in inches unless specified otherwise

**Quality Products. Service Excellence.**