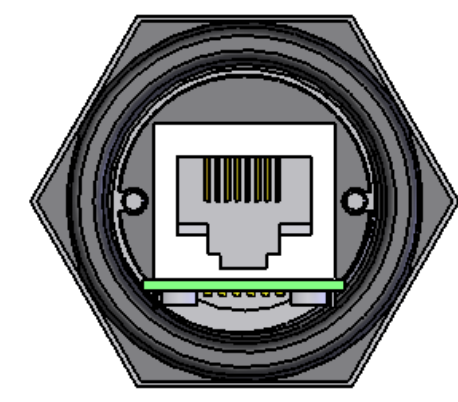
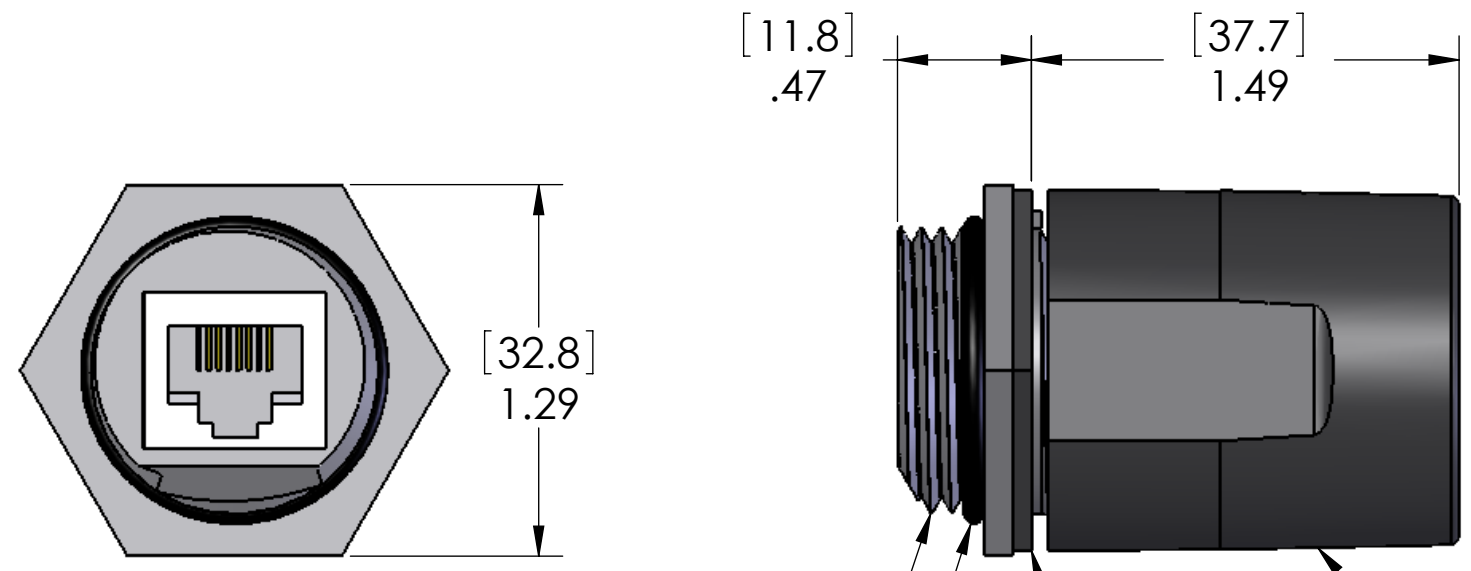
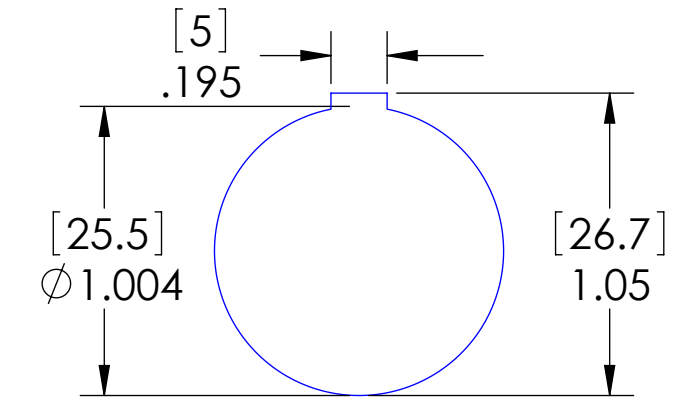


REVISIONS			
REV.	DESCRIPTION	DATE	APPROVED
A	REDRAWN IN SW	2/14/2006	



1"-14UNC THREAD
 ORING
 .062" THICK GASKET
 BACKSHELL ALSO SERVES AS A JAM NUT



PANEL CUTOUT

MATERIALS / SPECIFICATIONS:	
BODY:	POLYAMIDE
BACKSHELL:	POLYAMIDE
O-RING:	BUNA-N
GASKET:	BUNA-N
SEAL:	IP67
TIA/EIA RATING:	CAT 5e
TEMP RATING:	-20°C - 80°C
AMPS:	1.5A
VOLTS:	125VDC
MIN PANEL THICKNESS:	.056"
MAX PANEL THICKNESS:	.187"

PROPRIETARY AND CONFIDENTIAL
 THE INFORMATION CONTAINED IN THIS DRAWING IS THE SOLE PROPERTY OF MENCOM CORPORATION. ANY REPRODUCTION IN PART OR AS A WHOLE WITHOUT THE WRITTEN PERMISSION OF MENCOM CORPORATION IS PROHIBITED.

UNLESS OTHERWISE SPECIFIED:		NAME		MENCOM CORPORATION	
DIMENSIONS ARE IN INCHES AND [MM]		DRAWN	BEM	TITLE:	
		CHECKED			
		ENG APPR.			
		MFG APPR.			
		Q.A.			
		COMMENTS:			
MATERIAL				SIZE	DWG. NO.
FINISH				B	E45V3-8FFR-M25
DO NOT SCALE DRAWING				REV	A
				SCALE: 3:2	WEIGHT:
				SHEET 1 OF 1	