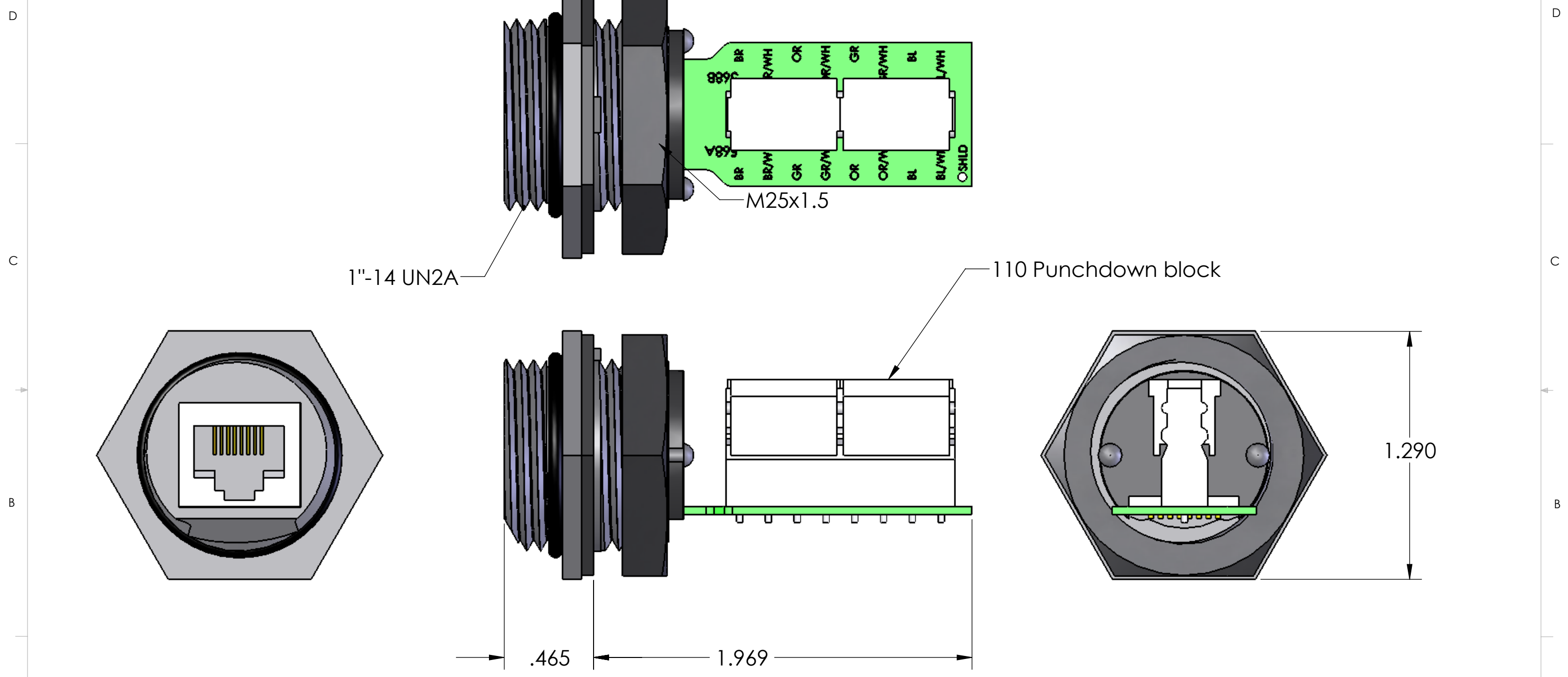


REVISIONS			
REV.	DESCRIPTION	DATE	APPROVED
A	INITIAL RELEASE	8/28/2006	



MATERIALS:	
BODY:	BLACK POLYAMIDE
O-RING:	NBR
RJ45 CONN:	CAT 5
GASKET:	NBR

PROPRIETARY AND CONFIDENTIAL
 THE INFORMATION CONTAINED IN THIS DRAWING IS THE SOLE PROPERTY OF MENCOM CORPORATION. ANY REPRODUCTION IN PART OR AS A WHOLE WITHOUT THE WRITTEN PERMISSION OF MENCOM CORPORATION IS PROHIBITED.

UNLESS OTHERWISE SPECIFIED:	
DIMENSIONS ARE IN INCHES AND [MM]	
MATERIAL	
FINISH	
DO NOT SCALE DRAWING	

NAME		MENCOM CORPORATION	
DRAWN	BEM	TITLE:	
CHECKED		SIZE DWG. NO. REV	
ENG APPR.		B E45V3-8FR-110-M25 A	
MFG APPR.		SCALE: 2:1	WEIGHT:
Q.A.		SHEET 1 OF 1	
COMMENTS:			