

WIRING	
PIN #	COLOR
1	WHITE/ORANGE
2	ORANGE
3	WHITE/GREEN
4	BLUE
5	WHITE/BLUE
6	GREEN
7	WHITE/BROWN
8	BROWN

REVISIONS			
REV.	DESCRIPTION	DATE	APPROVED
A	INITIAL RELEASE	4/20/2006	

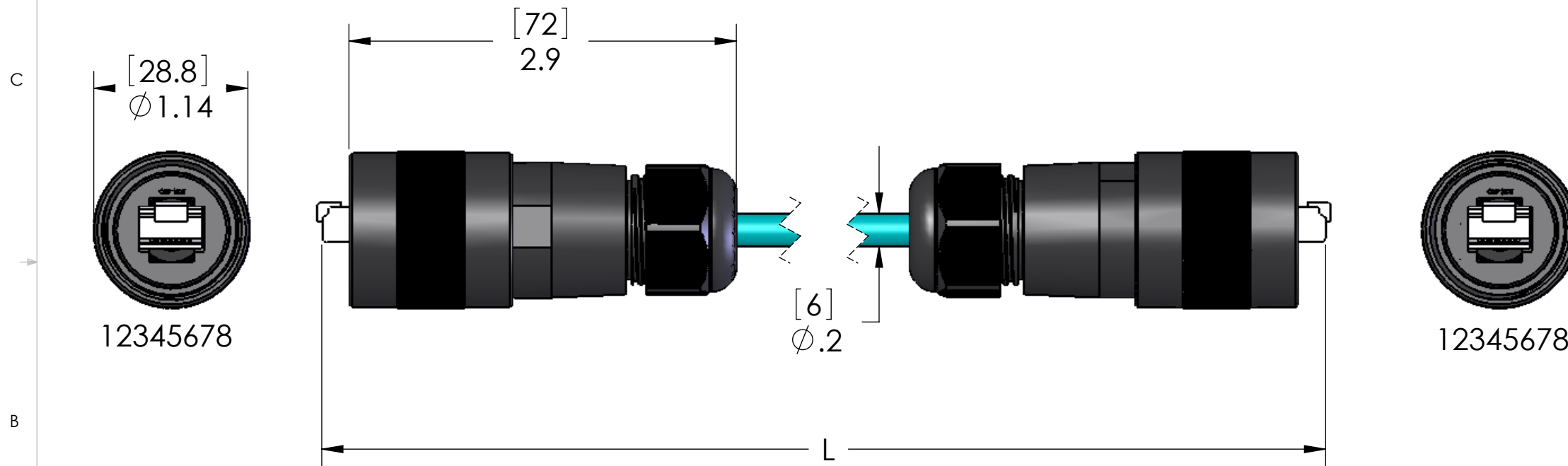


TABLE A	
PART NUMBER	L
E45V3-8MMP-1M	40"
E45V3-8MMP-2M	80"
E45V3-8MMP-3M	118"
E45V3-8MMP-4M	157"
E45V3-8MMP-5M	197"
E45V3-8MMP-6M	234"
E45V3-8MMP-8M	315"
E45V3-8MMP-10M	393"
E45V3-8MMP-15M	590"
E45V3-8MMP-20M	786"

MATERIALS:	
BODY:	BLACK POLYAMIDE
COUPLING:	BLACK ANODIZED ALUMINUM
SEALS:	TPE & NBR
CABLE:	24AWG CAT 5E, TEAL PVC JACKET

PROPRIETARY AND CONFIDENTIAL
 THE INFORMATION CONTAINED IN THIS DRAWING IS THE SOLE PROPERTY OF MENCOM CORPORATION. ANY REPRODUCTION IN PART OR AS A WHOLE WITHOUT THE WRITTEN PERMISSION OF MENCOM CORPORATION IS PROHIBITED.

UNLESS OTHERWISE SPECIFIED:		NAME
DIMENSIONS ARE IN INCHES AND [MM]		BEM
		DRAWN
		CHECKED
		ENG APPR.
		MFG APPR.
		Q.A.
		COMMENTS:
MATERIAL		
FINISH		
DO NOT SCALE DRAWING		

MENCOM CORPORATION		
TITLE:		
SIZE	DWG. NO.	REV
B	E45V3-8MMP-ZZ	A
SCALE: 1:1	WEIGHT:	SHEET 1 OF 1