

PIN #	COLOR
1	BLUE (-)
2	ORANGE (+)
3	DRAIN
4	N/C

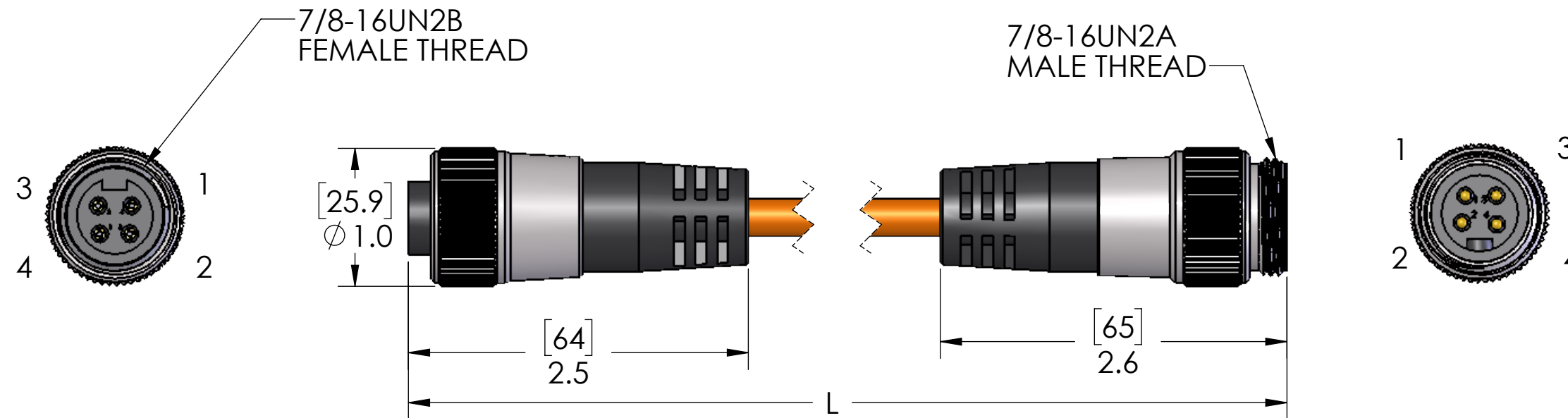


TABLE A	
P/N	L
FFIN-4MFPX-1M-SS	40" [1M]
FFIN-4MFPX-2M-SS	79" [2M]
FFIN-4MFPX-3M-SS	118" [3M]
FFIN-4MFPX-4M-SS	157" [4M]
FFIN-4MFPX-5M-SS	197" [5M]
FFIN-4MFPX-8M-SS	315" [8M]
FFIN-4MFPX-10M-SS	393" [10M]
FFIN-4MFPX-15M-SS	590" [15M]
FFIN-4MFPX-20M-SS	786" [20M]
FFIN-4MFPX-25M-SS	983" [25M]
FFIN-4MFPX-30M-SS	1179" [30M]

MATERIALS:		
CABLE:	CONSTRUCTION:	18/2 STRANDED WIRE, FOIL SHIELD WITH 22AWG DRAIN WIRE. ORANGE PVC JACKETING
	RATINGS:	ITC-ER, SUN RES, PLTC-ER, CMX-OUTDOOR-CMG 105°C, 600V
	ELEC SPEC:	FOUNDATION FIELDBUS H1 TYPE A FF-844 registered CHARACTERISTIC IMPEDANCE: 100 +/- 10 Ohms COND TO COND CAPACITANCE: 20pF/Ft nom. INDUCTANCE: 0.22 micro Henry/Ft nom. DC RESISTANCE: 7.06 Ohms/1000' MAX (6.5 Ohms nom.) DIELECTRIC WITHSTANDING VOLTAGE: 1.5 KVAC
BODY:	BLACK PVC	
CONTACTS:	GOLD PLATED COPPER ALLOY	
COUPLINGS:	STAINLESS STEEL	

APPROVALS:	
US	UL LISTED
CANADA	C-UL LISTED

**PROPRIETARY AND CONFIDENTIAL**  
THE INFORMATION CONTAINED IN THIS DRAWING IS THE SOLE PROPERTY OF MENCOM CORPORATION. ANY REPRODUCTION IN PART OR AS A WHOLE WITHOUT THE WRITTEN PERMISSION OF MENCOM CORPORATION IS PROHIBITED.

VOLTS	300V
AMPS	10A
TEMP:	105°C

UNLESS OTHERWISE SPECIFIED:	DRAWN BY	ADM
DIMENSIONS ARE IN INCHES AND [MM]	DRAWN DATE	09/22/2016
	CHECKED BY	
	CHECK DATE	
MATERIAL	COMMENTS:	
FINISH		
DO NOT SCALE DRAWING		

MENCOM CORPORATION		
TITLE: FND FLDBS M-F EXT		
SIZE	DWG. NO.	REV
<b>B</b>	FFIN-4MFPX-ZZ-SS	<b>B</b>
SCALE: 1:1	WEIGHT:	SHEET 1 OF 1