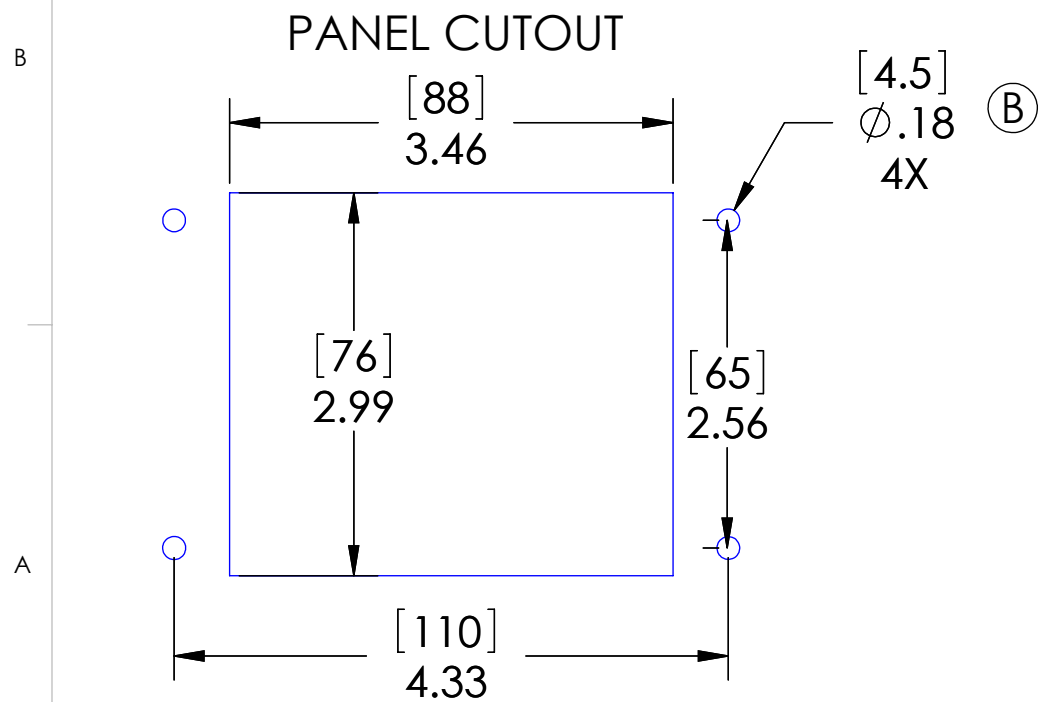
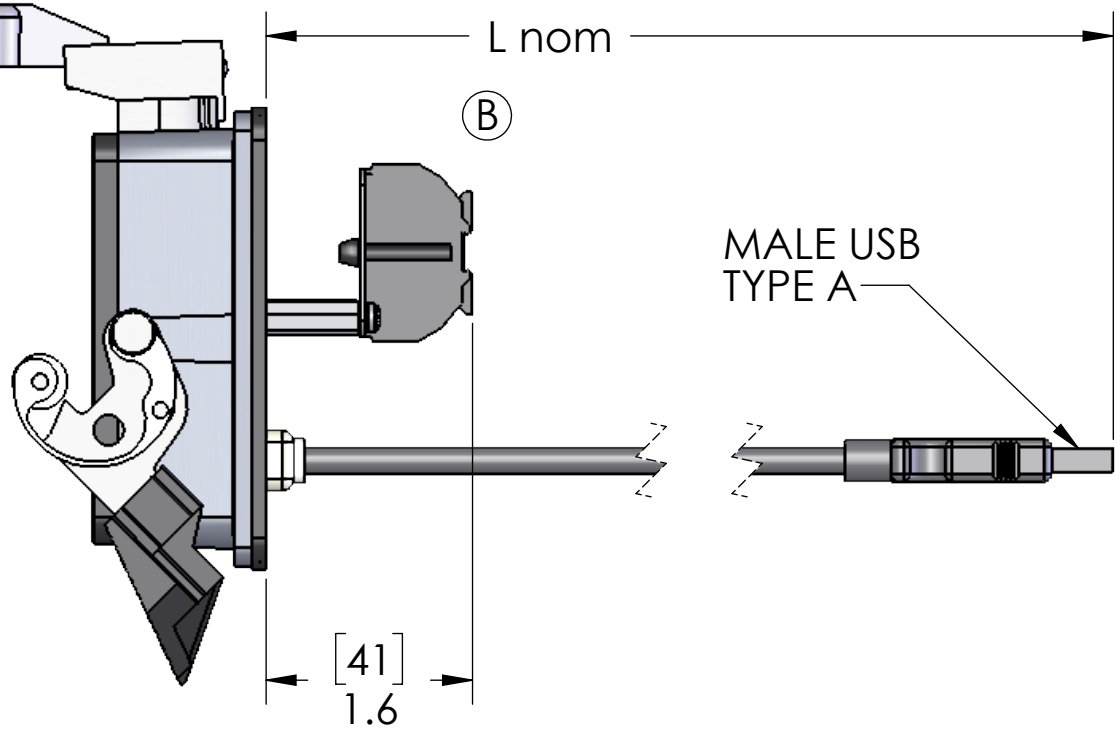
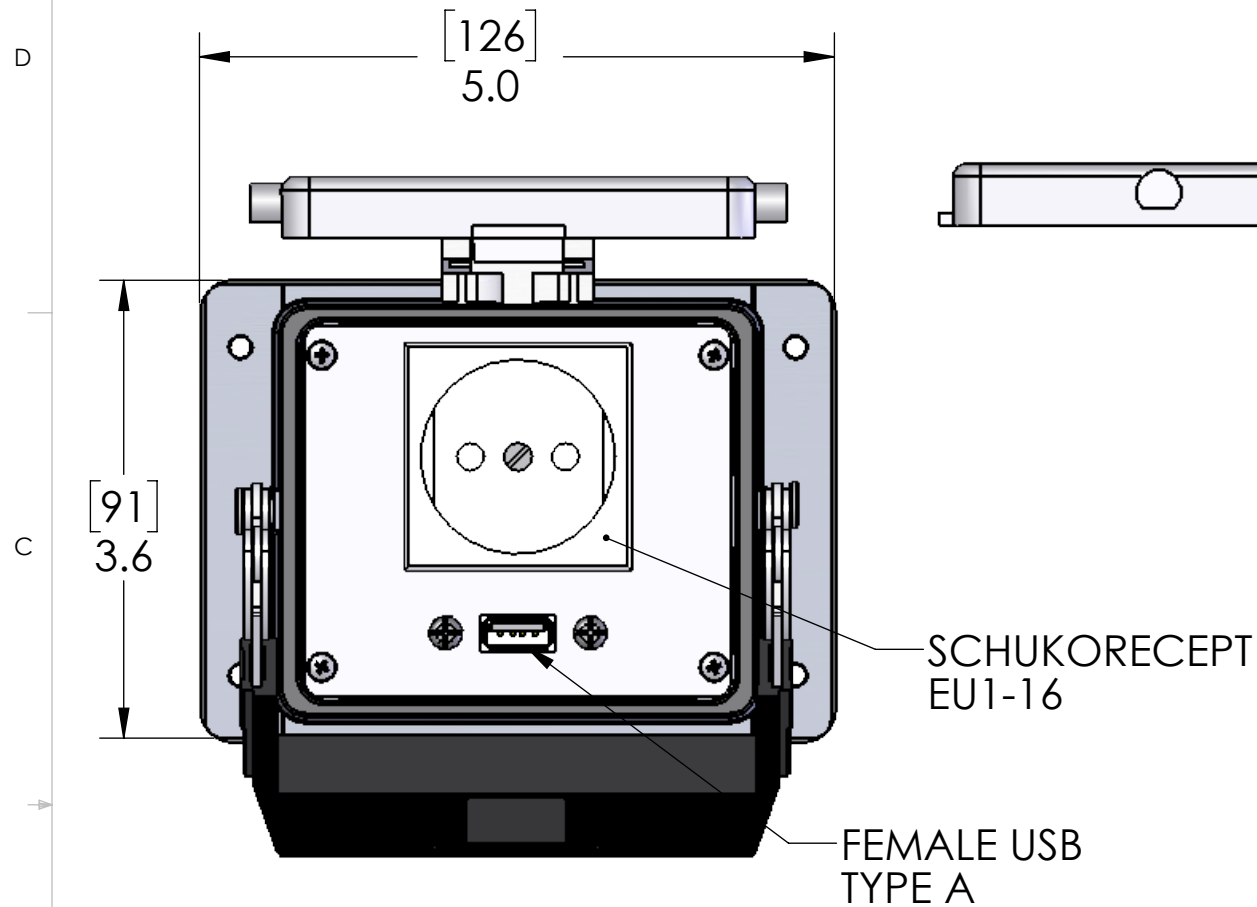


REVISIONS			
REV.	DESCRIPTION	DATE	APPROVED
A	INITIAL RELEASE	6/1/2006	
B	CHANGED TERMINAL AND WIRES CORRECTED PANEL CUTOUT DIM	11/2/2010	
C	UPDATED STAND OFFS	9/8/2016	JJH



PART NUMBER	LENGTH "L"
EP-USB-03-32	3 FEET
EP-USB-06-32	6 FEET
EP-USB-10-32	10 FEET

HOUSING MATERIALS	
BODY:	EPOXY COATED DIE CAST ALUMINUM
GASKET:	THERMOPLASTIC ELASTOMER
HANDLE:	POLYAMIDE
LEVERS:	STAINLESS STEEL

PIC RATINGS	
VOLTS:	250V
AMPS:	16A
NEMA/UL:	4, 4X, 12

**PROPRIETARY AND CONFIDENTIAL**  
 THE INFORMATION CONTAINED IN THIS DRAWING IS THE SOLE PROPERTY OF MENCOM CORPORATION. ANY REPRODUCTION IN PART OR AS A WHOLE WITHOUT THE WRITTEN PERMISSION OF MENCOM CORPORATION IS PROHIBITED.

UNLESS OTHERWISE SPECIFIED:		NAME	
DIMENSIONS ARE IN INCHES & [MM]		DRAWN	CAM
		CHECKED	
		ENG APPR.	
		MFG APPR.	
		Q.A.	
		COMMENTS:	
MATERIAL			
FINISH			
DO NOT SCALE DRAWING			

MENCOM CORPORATION		
TITLE:		
SIZE	DWG. NO.	REV
<b>B</b>	EP-USB-ZZ-32	<b>C</b>
SCALE: 2:3	WEIGHT:	SHEET 1 OF 1