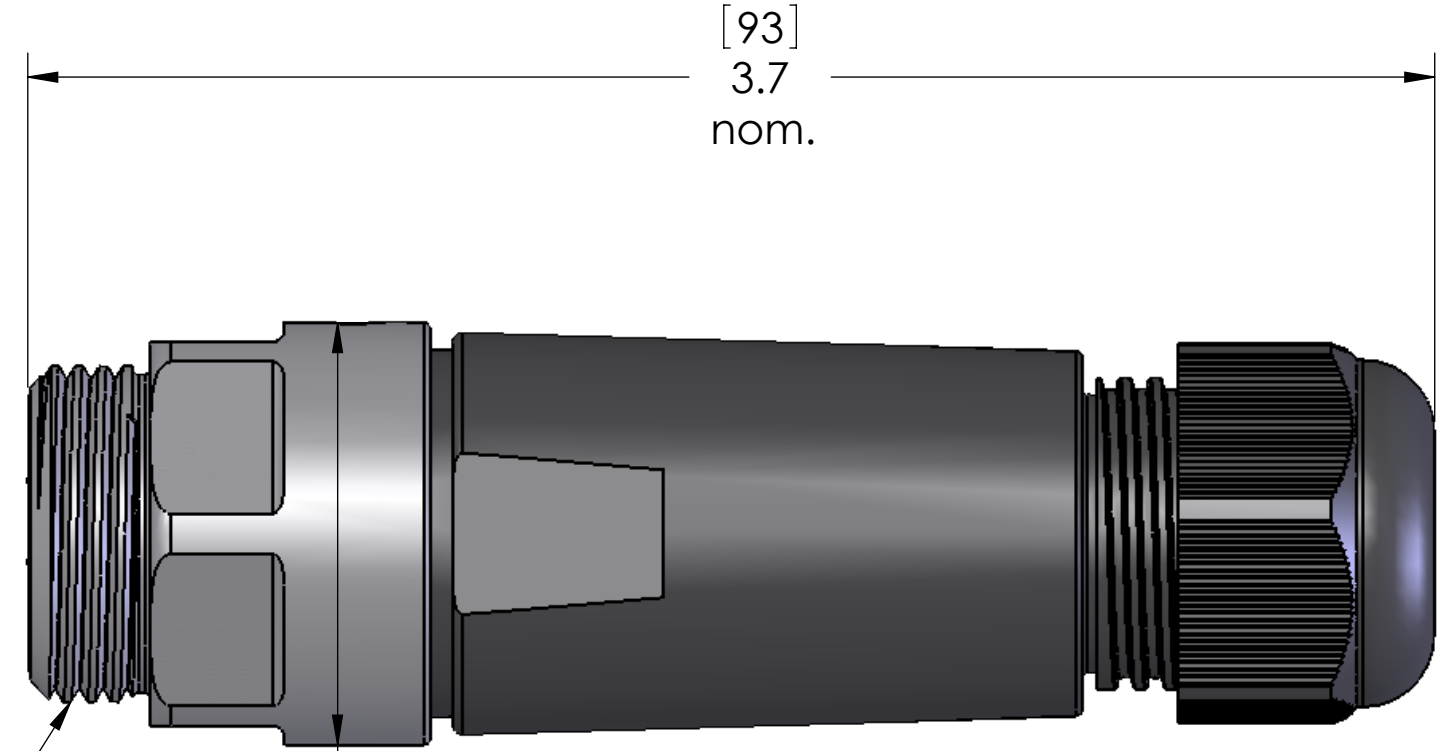
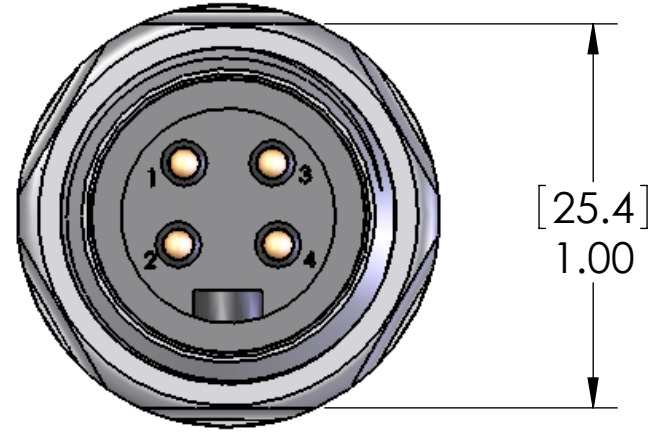


REVISIONS			
REV.	DESCRIPTION	DATE	APPROVED
A	REDRAWN IN SW	8/15/2008	



7/8-16UN2A

CABLE DIAMETER RANGE: 5 - 13mm  
 WIRE AWG RANGE: 14 - 22AWG

MATERIALS:	
BODY:	BLACK POLYAMIDE
INSERT:	BLACK PVC
COUPLING:	STAINLESS STEEL
CONTACTS:	GOLD PLATED COPPER ALLOY
SEAL:	NBR
SPECIFICATIONS:	
AMPS:	15A MAX
VOLTS:	600V MAX

14AWG - 15A max  
 16AWG - 10A max  
 18AWG - 8A max  
 20AWG - 4A max  
 22AWG - 4A max

**PROPRIETARY AND CONFIDENTIAL**  
 THE INFORMATION CONTAINED IN THIS DRAWING IS THE SOLE PROPERTY OF MENCOM CORPORATION. ANY REPRODUCTION IN PART OR AS A WHOLE WITHOUT THE WRITTEN PERMISSION OF MENCOM CORPORATION IS PROHIBITED.

UNLESS OTHERWISE SPECIFIED:	
DIMENSIONS ARE IN INCHES AND [MM]	
MATERIAL	
FINISH	
DO NOT SCALE DRAWING	

NAME		MENCOM CORPORATION	
DRAWN	BEM	TITLE:	
CHECKED		SIZE	
ENG APPR.		DWG. NO.	
MFG APPR.		FFIN-4MPM-FW-SS	
Q.A.		REV	
COMMENTS:		A	
SCALE: 2:1	WEIGHT:	SHEET 1 OF 1	