



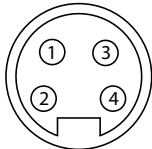
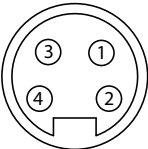
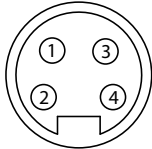
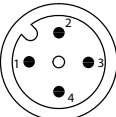
Foundation Fieldbus Series “T” Connectors

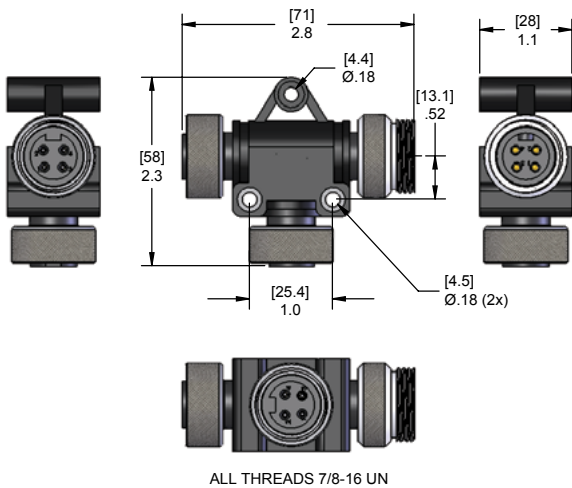
4 Conductor Foundation Fieldbus T Connectors



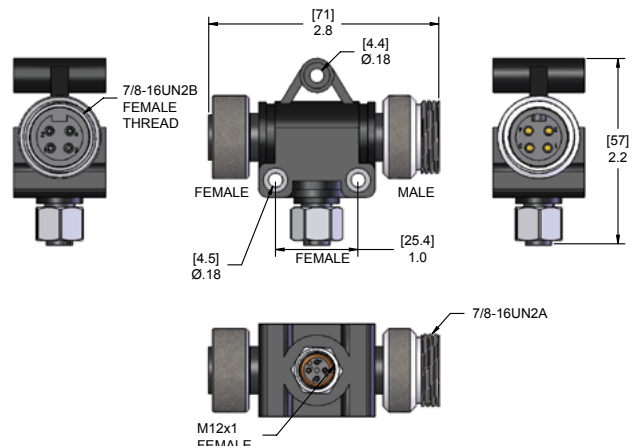
“T” Connectors | 300 Volt, 8 amps | 300 Volt, 4 amps | IP67 Rating



7/8”-16UN Male to Two 7/8”-16UN Female					
# of Poles	Male Faceview	Rating	Part Number	Wiring	Female Faceview
4	 7/8”-16UN2	300V 8A	FFIN-4MFF-T-SS	1 to 1 to 1 2 to 2 to 2 3 to 3 to 3 4 to 4 to 4	 7/8”-16UN2
7/8”-16UN Male to 7/8”-16UN & M12 Female					
4	 7/8”-16UN2	300V 4A	FFINDC-4MFF-T-SS	1 to 1 to 1 2 to 2 to 2 3 to 3 to 3 4 to 4 to 4	 M12 x 1



7/8”-16UN to 7/8”-16UN “T” Connector



7/8”-16UN to M12 “T” Connector

Specifications:

- Body: Oil Resistant Yellow PVC
- Contacts: Copper Alloy with Gold Plating
- Coupling Nut: Stainless Steel
- Temperature: -40°C to +105°C (-40°F to +221°F)

Foundation Fieldbus Series

M