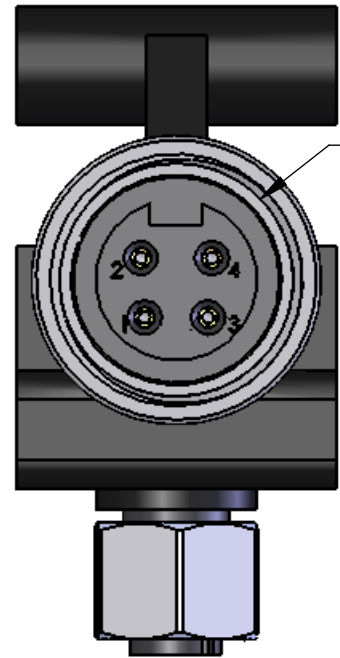
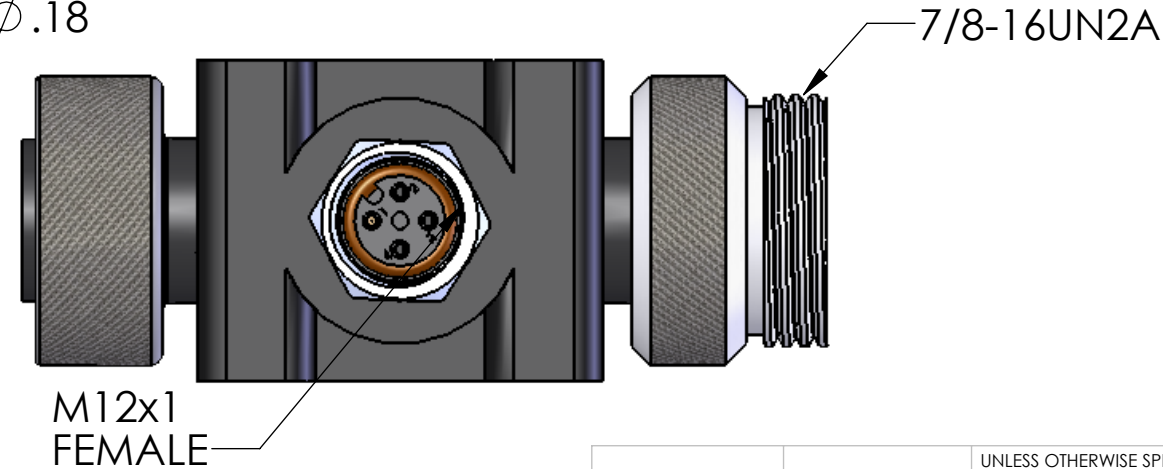
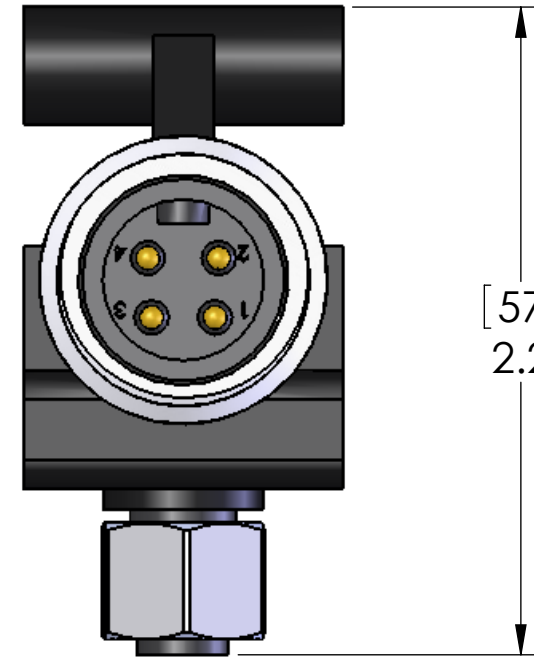
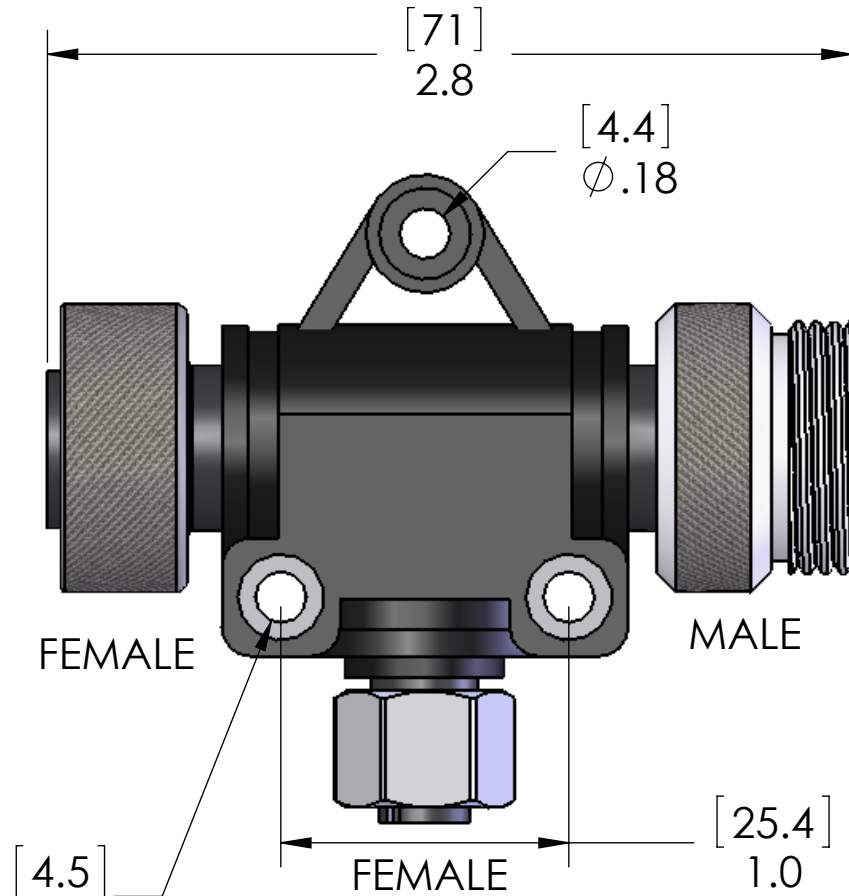


WIRING				
CONN #1		CONN #2		CONN #3
1	---	1	---	1
2	---	2	---	2
3	---	3	---	3
4	---	4	---	4

REVISIONS			
REV.	DESCRIPTION	DATE	APPROVED
A	REDRAWN IN SW	6/6/2016	JJH



7/8-16UN2B
FEMALE
THREAD



MATERIALS	
BODY:	YELLOW PVC
CONTACTS:	GOLD PLATED COPPER ALLOY
COUPLINGS:	MIN: ANODIZED ALUMINUM MDC: NICKEL PLATED BRASS
O-RINGS:	FPM
INSERT:	MIN: PVC MDC: POLYAMIDE
RATINGS	
AMPS:	4A max
VOLTS:	300V max

PROPRIETARY AND CONFIDENTIAL
THE INFORMATION CONTAINED IN THIS DRAWING IS THE SOLE PROPERTY OF MENCOM CORPORATION. ANY REPRODUCTION IN PART OR AS A WHOLE WITHOUT THE WRITTEN PERMISSION OF MENCOM CORPORATION IS PROHIBITED.

UNLESS OTHERWISE SPECIFIED:		NAME
DIMENSIONS ARE IN INCHES AND [MM]		DRAWN BEM
		CHECKED
		ENG APPR.
		MFG APPR.
		Q.A.
		COMMENTS:
MATERIAL		
FINISH		
DO NOT SCALE DRAWING		

MENCOM CORPORATION		
TITLE:		
SIZE B	DWG. NO. FFINDC-4MFF-T-SS	REV A
SCALE: 3:2	WEIGHT:	SHEET 1 OF 1