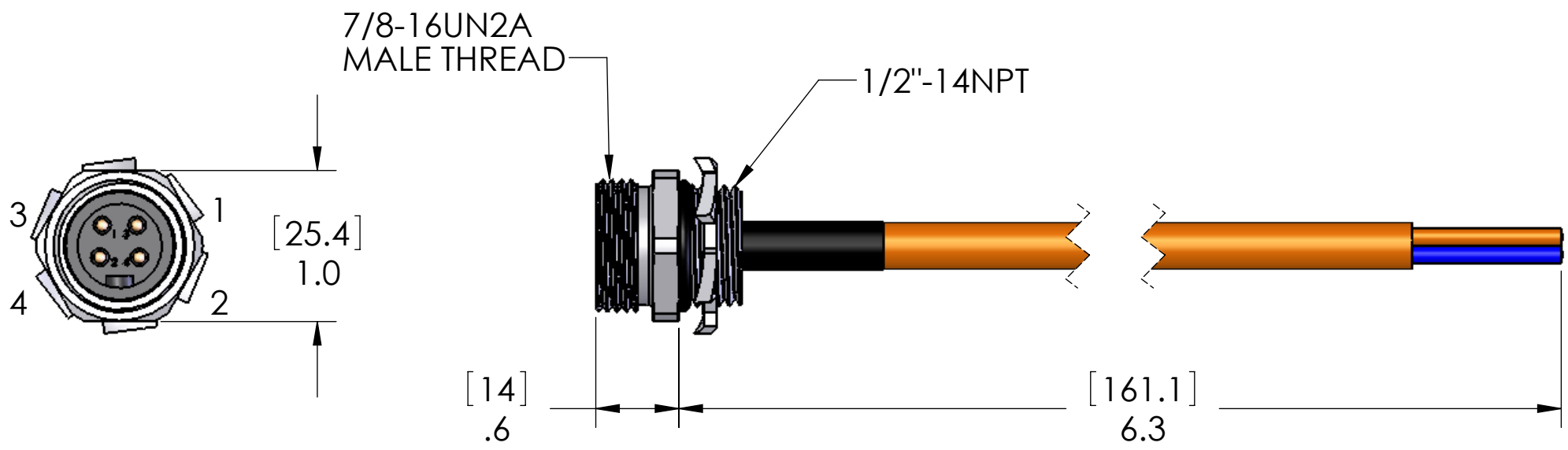


PIN #	COLOR
1	BLUE (-)
2	ORANGE (+)
3	DRAIN
4	N/C

REVISIONS			
REV.	DESCRIPTION	DATE	APPROVED
A	RELEASED	4/12/2006	



P/N	L
FFIN-4MR-1M-SS	40"
FFIN-4MR-2M-SS	79"
FFIN-4MR-3M-SS	118"
FFIN-4MR-4M-SS	157"
FFIN-4MR-5M-SS	197"
FFIN-4MR-6M-SS	236"
FFIN-4MR-8M-SS	315"
FFIN-4MR-10M-SS	393"
FFIN-4MR-15M-SS	590"
FFIN-4MR-20M-SS	786"
FFIN-4MR-25M-SS	983"
FFIN-4MR-30M-SS	1179"

MATERIALS:	
CABLE:	CRUSH PROOF PROFIBUS CABLE, 18/2 W/ SHIELD. ORANGE PVC JACKET
SHELL:	STAINLESS STEEL
CONTACTS:	GOLD PLATED COPPER ALLOY
O-RING:	BUNA-N
JAM-NUT:	ZINC PLATED STEEL

PROPRIETARY AND CONFIDENTIAL
 THE INFORMATION CONTAINED IN THIS DRAWING IS THE SOLE PROPERTY OF MENCOM CORPORATION. ANY REPRODUCTION IN PART OR AS A WHOLE WITHOUT THE WRITTEN PERMISSION OF MENCOM CORPORATION IS PROHIBITED.

VOLTS	600V
AMPS	10A
TEMP	70S°C
SPECIFICATIONS	

UNLESS OTHERWISE SPECIFIED:		NAME
DIMENSIONS ARE IN INCHES AND [MM]	DRAWN	BEM
	CHECKED	
	ENG APPR.	
	MFG APPR.	
	Q.A.	
MATERIAL	COMMENTS:	
FINISH		
DO NOT SCALE DRAWING		

MENCOM CORPORATION		
TITLE:		
SIZE	DWG. NO.	REV
B	FFIN-4MR-ZZ-SS	A
SCALE: 1:1	WEIGHT:	SHEET 1 OF 1