



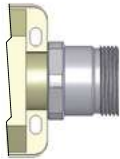
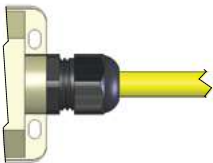
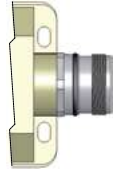
# 1/2" JAC Junction Blocks

6 Port, 3 Pin JAC Junction blocks



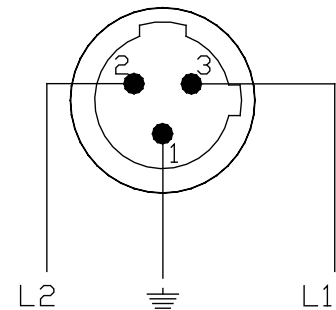
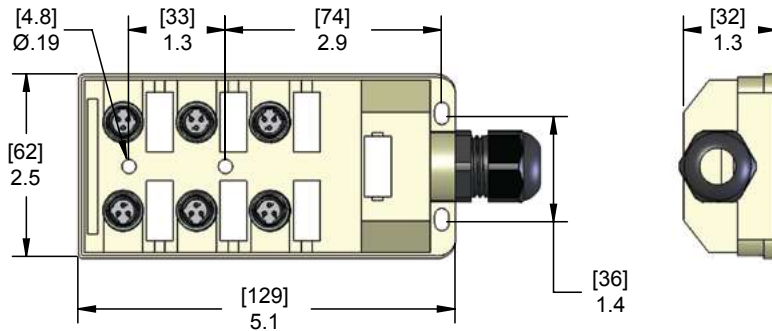
Standard Wiring | MIN Receptacle | Cable | M23 Receptacle | 24 - 120 Volt | IP67 Rating



Trunk Style	Trunk Connection	No LED
	MIN Size II 8 Pole Male Receptacle	JAC-630-008-M000
	Yellow PVC AWM 20811 <b>8 x 18 AWG</b> 8.9mm OD	JAC-630-008-C**
	M23 12 Pole Male Receptacle	JAC-630-012-V**

\*\* Lengths in meters. Standard Cable lengths are 2m, 5m and 10m. Consult factory for other lengths.

JAC Junction Blocks



No LED Version

R

### Specifications:

- Ratings: 3 A per Connector  
8 A per Block
- Voltage: 0-150 Volt Max
- Body: Polypropylene
- Inserts: Polyamide
- Port Coupling Nuts: Nickel Plated Brass
- O-Ring: BUNA-N
- LED Lens: Polycarbonate
- Contacts: Copper Alloy with Gold Plating
- Marker Tags: Polyamide (supplied on all units)