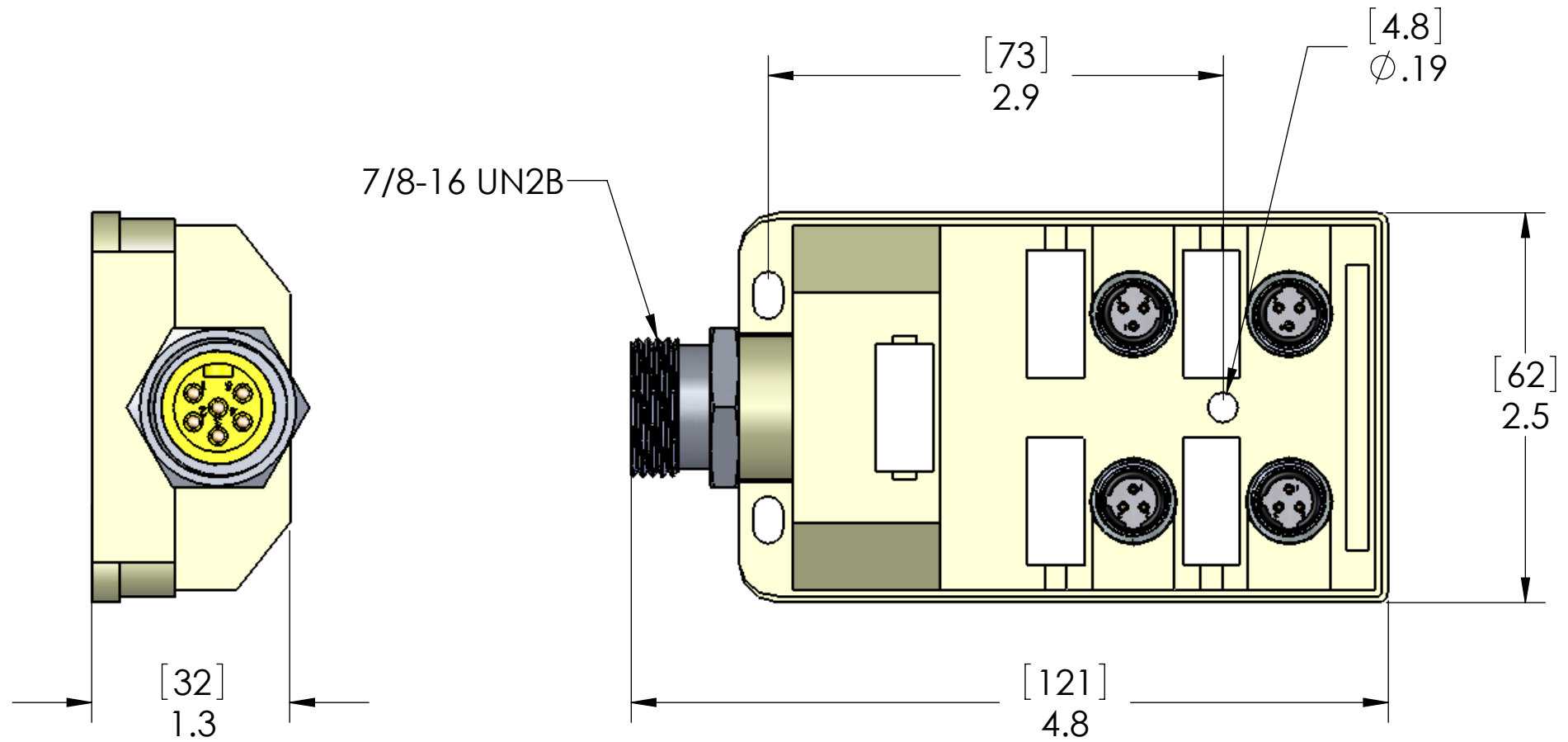
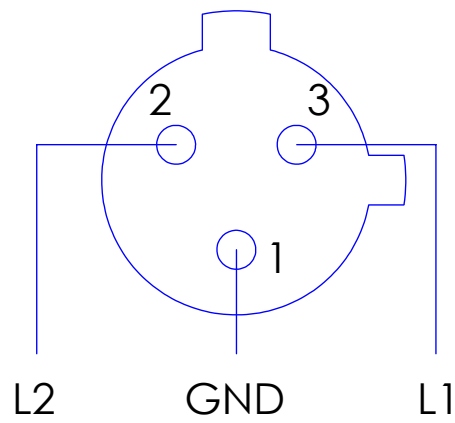


WIRING	
MIN PIN	PORT / PIN
1	ALL PORTS / PIN 3
2	PORT 1 / PIN 2
3	ALL PORTS / PIN 1
4	PORT 2 / PIN 2
5	PORT 3 / PIN 2
6	PORT 4 / PIN 2

REVISIONS			
REV.	DESCRIPTION	DATE	APPROVED
A	REDRAWN IN SW	12/10/2007	



MATERIALS:	
BODY:	POLYPROPYLENE
INSERTS:	POLYAMIDE
COUPLINGS:	NICKEL PLATED BRASS
O-RING:	NBR
MIN SHELL:	ANOD. ALUMINUM
MIN INSERT:	PVC
CONTACTS:	GOLD PLATED COPPER ALLOY
SPECS:	
VOLTS:	125V MAX
AMPS:	4A/PORT 10A/BLOCK

PROPRIETARY AND CONFIDENTIAL
 THE INFORMATION CONTAINED IN THIS DRAWING IS THE SOLE PROPERTY OF MENCOM CORPORATION. ANY REPRODUCTION IN PART OR AS A WHOLE WITHOUT THE WRITTEN PERMISSION OF MENCOM CORPORATION IS PROHIBITED.

UNLESS OTHERWISE SPECIFIED:		NAME		MENCOM CORPORATION	
DIMENSIONS ARE IN INCHES		DRAWN	BEM	TITLE:	
TOLERANCES:		CHECKED			
FRACTIONAL ±1/64		ENG APPR.			
ANGULAR: MACH ±5° BEND ±5°		MFG APPR.			
TWO PLACE DECIMAL ±.01		Q.A.			
THREE PLACE DECIMAL ±.004		COMMENTS:			
				SIZE	DWG. NO.
				B	JAC-430-006-M000
				SCALE: 1:1	WEIGHT:
				SHEET 1 OF 1	
				REV	A

8 7 6 5 4 3 2 1

D

D

C

C

B

B

A

A

8 7 6 5 4 3 2 1