

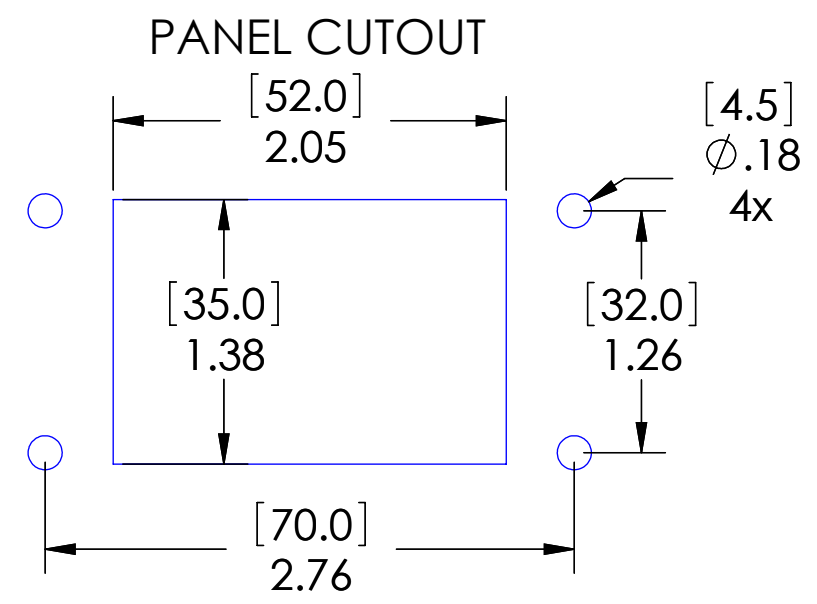
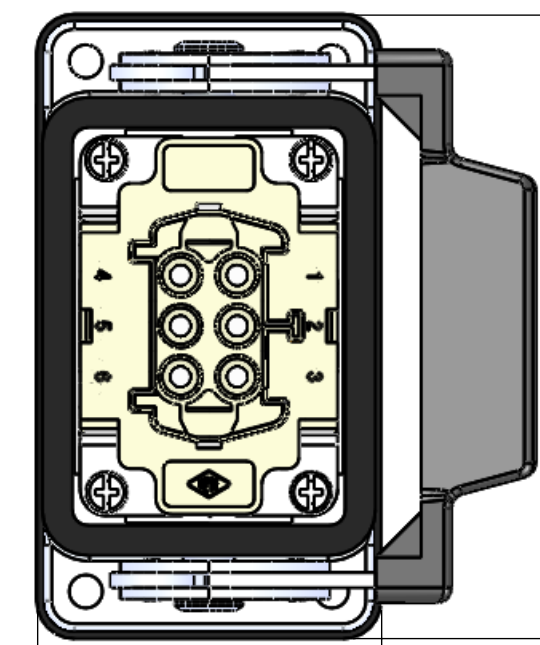
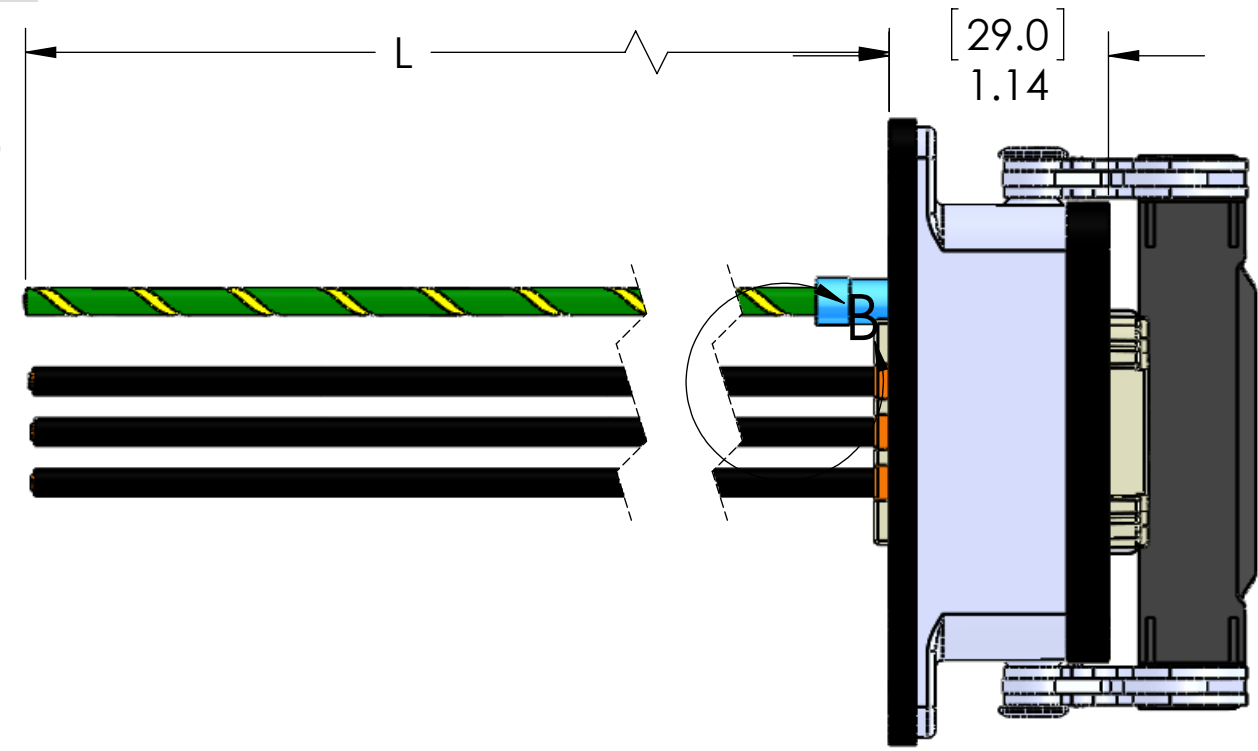
MATERIALS:	
BODY:	EPOXY COATED DIE-CAST ALUMINUM
LEVERS:	STAINLESS STEEL & NYLON
GASKET:	THERMOPLASTIC
INSERT:	POLYCARBONATE
CONTACTS:	SILVER PLATED COPPER ALLOY
WIRES:	BLACK 14AWG [2.5 sqmm] UL STYLE 1015 MTW

REVISIONS			
REV.	DESCRIPTION	DATE	APPROVED
A	REDRAWN IN SW	10/22/2014	BEM

ALL BLACK WIRES ARE NUMBERED WITH THE CORRESPONDING CONTACT NUMBER.



DETAIL B  
SCALE 2 : 1



PART NUMBER	LENGTH "L"
IRCL-06NF-140-005	20" [0.5m]
IRCL-06NF-140-010	40" [1m]
IRCL-06NF-140-020	79" [2m]
IRCL-06NF-140-030	118" [3m]
IRCL-06NF-140-040	157" [4m]
IRCL-06NF-140-050	197" [5m]
IRCL-06NF-140-060	236" [6m]
IRCL-06NF-140-100	393" [10m]

**PROPRIETARY AND CONFIDENTIAL**  
THE INFORMATION CONTAINED IN THIS DRAWING IS THE SOLE PROPERTY OF MENCOM CORPORATION. ANY REPRODUCTION IN PART OR AS A WHOLE WITHOUT THE WRITTEN PERMISSION OF MENCOM CORPORATION IS PROHIBITED.

UNLESS OTHERWISE SPECIFIED: DIMENSIONS ARE IN INCHES AND [MM]	NAME	JJH
	DRAWN	
	CHECKED	
	ENG APPR.	
	MFG APPR.	
INTERPRET GEOMETRIC TOLERANCING PER:	Q.A.	
MATERIAL	COMMENTS:	
FINISH		
APPLICATION	DO NOT SCALE DRAWING	

MENCOM CORPORATION		
TITLE: 6 PL WIRED RECP, NMBRD WIRES		
SIZE	DWG. NO.	REV
<b>B</b>	IRCL-06NF-140-ZZ	<b>A</b>
SCALE: 1:1	WEIGHT:	SHEET 1 OF 1