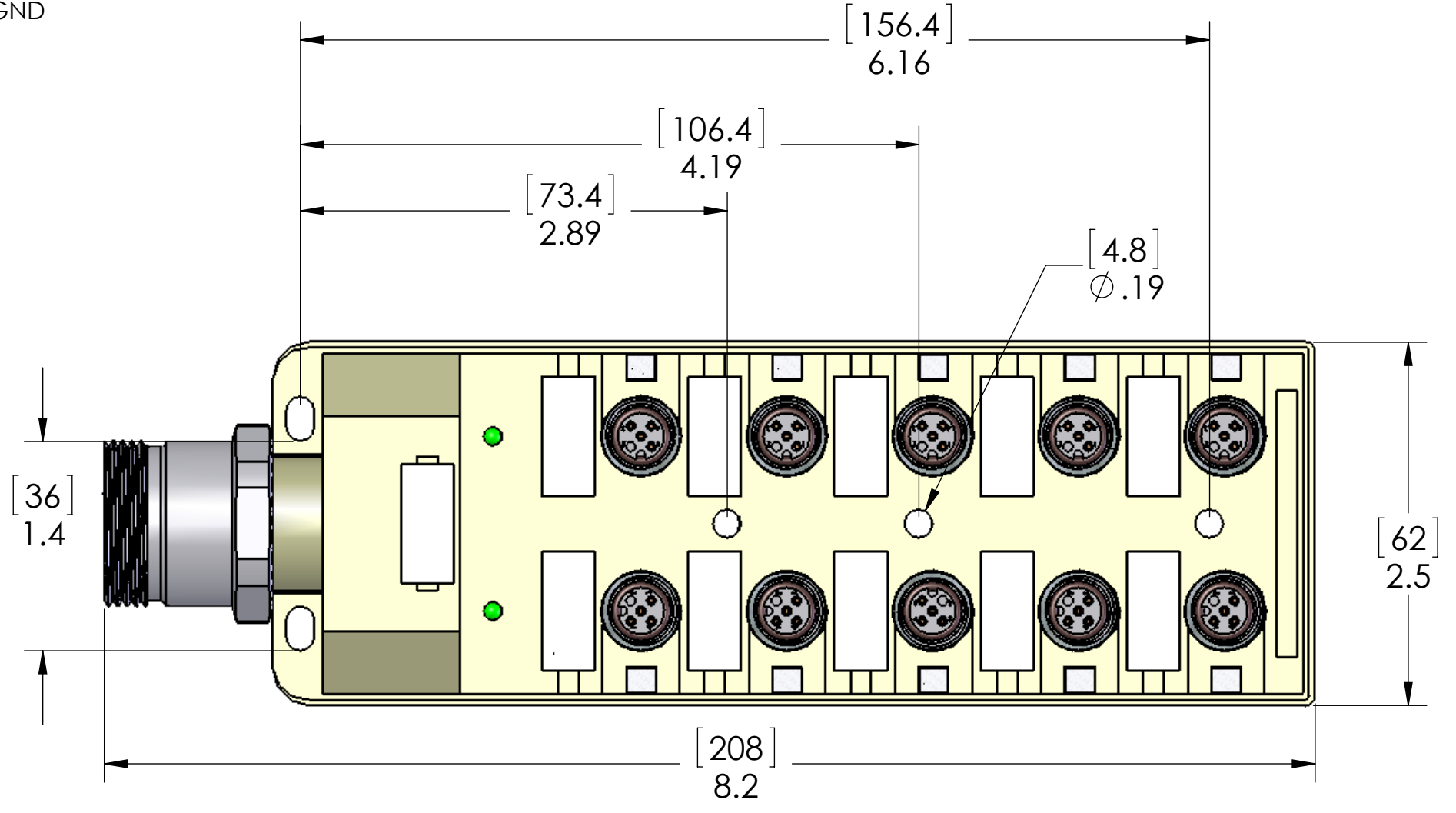
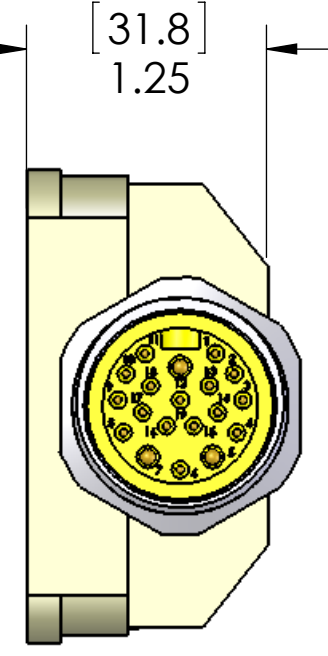
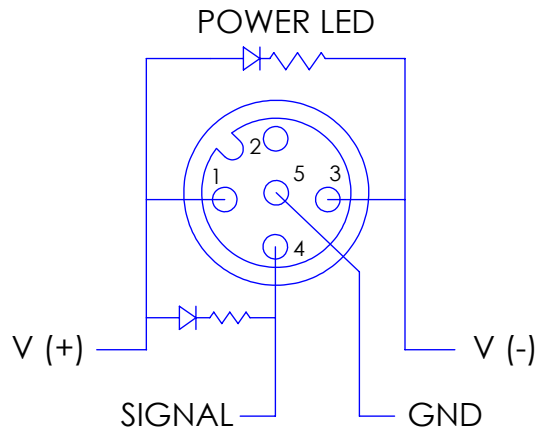


WIRING		
MIN	PORT/PIN	FUNCTION
7	ALL PORTS PIN 1	V+
12	GND	GND
5	ALL PORTS PIN 3	V-
15	PORT 1 PIN 4	1 / 4
6	PORT 2 PIN 4	2 / 4
16	PORT 3 PIN 4	3 / 4
3	PORT 4 PIN 4	4 / 4
17	PORT 5 PIN 4	5 / 4
2	PORT 6 PIN4	6 / 4
11	PORT 7 PIN 4	7 / 4
1	PORT 8 PIN 4	8 / 4
10	PORT 9 PIN 4	9 / 4
18	PORT 10 PIN 4	10 / 4

REVISIONS			
REV.	DESCRIPTION	DATE	APPROVED
A	DRAWN IN SW	12/18/2012	DCT



MATERIALS	
BODY:	POLYPROPYLENE
M12 INSERTS:	POLYAMIDE
M12 SHELLS	NICKEL PLATED BRASS
MIN SHELL:	ANODIZED ALUMINUM
CONTACTS:	GOLD PLATED COPPER ALLOY

PROPRIETARY AND CONFIDENTIAL
 THE INFORMATION CONTAINED IN THIS DRAWING IS THE SOLE PROPERTY OF MENCOM CORPORATION. ANY REPRODUCTION IN PART OR AS A WHOLE WITHOUT THE WRITTEN PERMISSION OF MENCOM CORPORATION IS PROHIBITED.

UNLESS OTHERWISE SPECIFIED:	
DIMENSIONS ARE IN INCHES AND [MM]	
MATERIAL	
FINISH	
DO NOT SCALE DRAWING	

NAME		MENCOM CORPORATION	
DRAWN	JJH	TITLE:	
CHECKED		SIZE DWG. NO. REV	
ENG APPR.		B JDC-04N-219-M000 A	
MFG APPR.		SCALE: 1:1	WEIGHT:
Q.A.		SHEET 1 OF 1	
COMMENTS:			