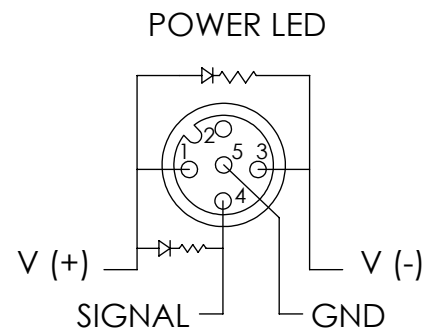
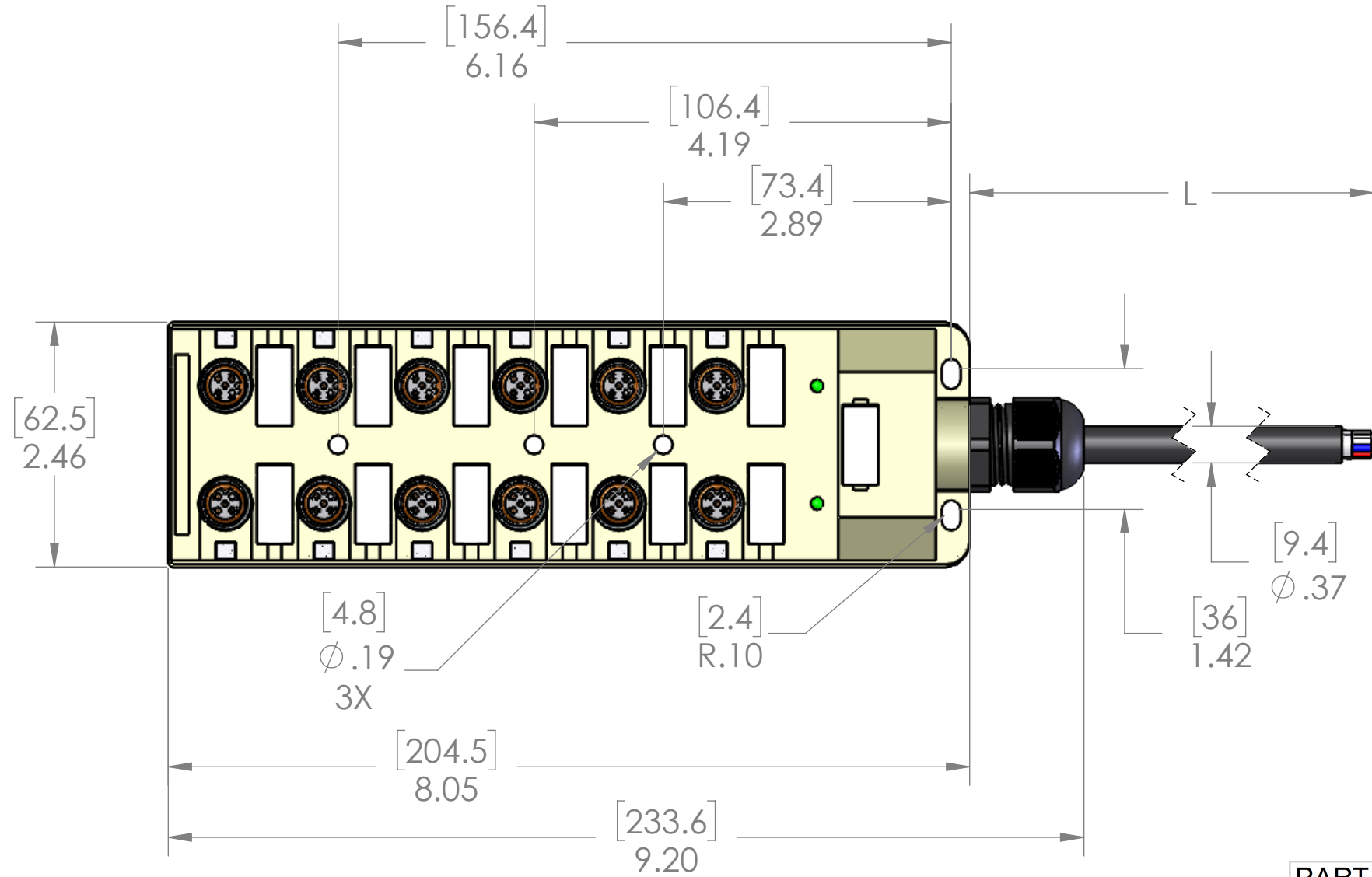


WIRING		
WIRE COLOR	FUNCTION	PORT/PIN
WHITE	SIGNAL	PORT 1 / PIN 4
GREEN	SIGNAL	PORT 2 / PIN 4
YELLOW	SIGNAL	PORT 3 / PIN 4
GRAY	SIGNAL	PORT 4 / PIN 4
PINK	SIGNAL	PORT 5 / PIN 4
RED	SIGNAL	PORT 6 / PIN 4
BLACK	SIGNAL	PORT 7 / PIN 4
VIOLET	SIGNAL	PORT 8 / PIN 4
GRAY/PINK	SIGNAL	PORT 9 / PIN 4
RED/BLUE	SIGNAL	PORT 10 / PIN 4
WHITE/GREEN	SIGNAL	PORT 11 / PIN 4
BROWN/GREEN	SIGNAL	PORT 12 / PIN 4
BROWN	+	ALL PORTS PIN 1
BLUE	-	ALL PORTS PIN 3
GREEN/YELLOW	GND	ALL PORTS PIN 5



NOTE: THIS BLOCK IS MADE FOR NPN OUTPUT ONLY.

PART NUMBER	L
JDC-24N-216-C003	12" [0.3M]
JDC-24N-216-C010	40" [1M]
JDC-24N-216-C020	79" [2M]
JDC-24N-216-C030	118" [3M]
JDC-24N-216-C050	197" [5M]
JDC-24N-216-C060	240" [6M]
JDC-24N-216-C100	393" [10M]

MATERIALS:	
BODY:	POLYPROPYLENE
MARKERS:	POLYAMIDE
SHELLS:	NICKEL PLATED BRASS
INSERTS:	POLYAMIDE
CONTACTS:	GOLD PLATED COPPER ALLOY
O-RINGS:	NBR
CABLE:	18/3, 22/12 BLACK PUR CABLE
RATINGS:	
VOLTS:	48VDC MAX
AMPS:	4A PER PORT, 12A PER BLOCK

PROPRIETARY AND CONFIDENTIAL
 THE INFORMATION CONTAINED IN THIS DRAWING IS THE SOLE PROPERTY OF MENCOM CORPORATION. ANY REPRODUCTION IN PART OR AS A WHOLE WITHOUT THE WRITTEN PERMISSION OF MENCOM CORPORATION IS PROHIBITED.

UNLESS OTHERWISE SPECIFIED:	DRAWN BY	ADM
DIMENSIONS ARE IN INCHES AND [MM]	DRAWN DATE	12/15/2022
	CHECKED BY	ADM
	CHECK DATE	12/15/2022
	COMMENTS:	
MATERIAL		
FINISH		
DO NOT SCALE DRAWING		

MENCOM CORPORATION		
TITLE:		
SIZE	DWG. NO.	REV
B	JDC-24N-216-CZZ	B
SCALE: 2:3	WEIGHT:	SHEET 1 OF 1