



# JDC (M12) Junction Blocks

4 Port, 3 Pin JDC Junction blocks

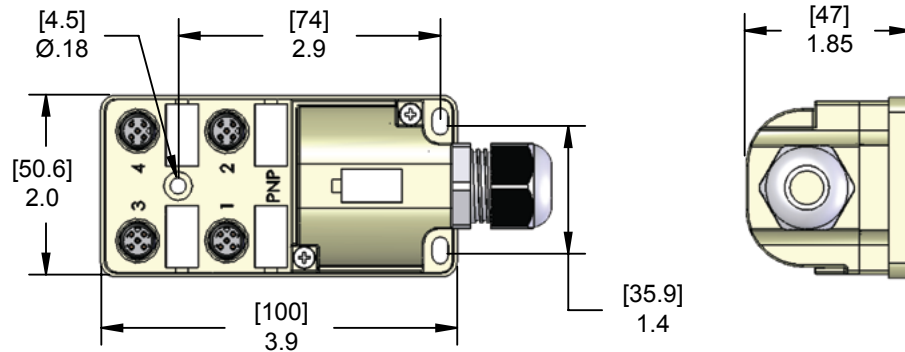


MIN Receptacles | MIN Plug | IP67 Protection Rating



Trunk Style	UL Rating	Trunk Connection	Part Number		
			No LED	PNP	NPN
	UL Listed	Yellow PVC SJTOOW <b>6 x 18 AWG</b> 9.9mm OD	JDC-430-006-C**	JDC-43P-006-C**	JDC-43N-006-C**
	N/A	MIN Size I 6 Pole Male Receptacle	JDC-430-006-M000	JDC-43P-206-M000	JDC-43N-206-M000
	N/A	MIN Size I 6 Pole Male Plug with Male Thread	JDC-430-006-M003	JDC-43P-206-M003	JDC-43N-206-M003
	N/A	MIN Size I 6 Pole Male Plug	JDC-430-006-M**	JDC-43P-206-M**	JDC-43N-206-M**

\*\* Lengths in meters. Standard Cable lengths are 2m, 5m and 10m. Consult factory for other lengths.



### Specifications:

Ratings:	3 A per Connector 8 A per Block	Inserts:	Polyamide
Voltage:	Without LEDs: 0-150 Volt Max With LEDs: 48 VDC Max in accordance with LED Configuration	Port Coupling Nuts:	PBT
Body:	Polypropylene	O-Ring:	BUNA-N
		LED Lens:	Polycarbonate
		Contacts:	Copper Alloy with Gold Plating
		Marker Tags:	Polyamide (supplied on all units)