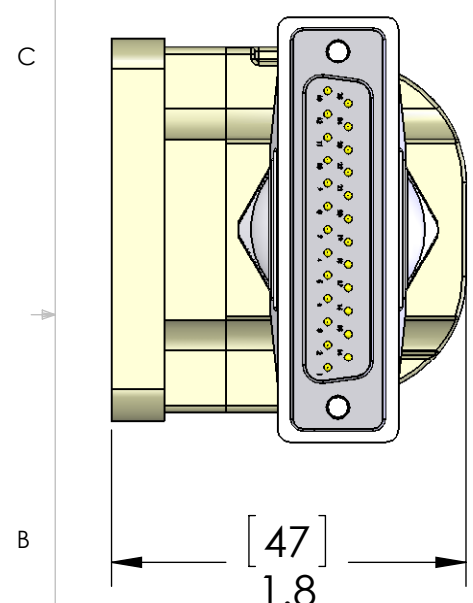
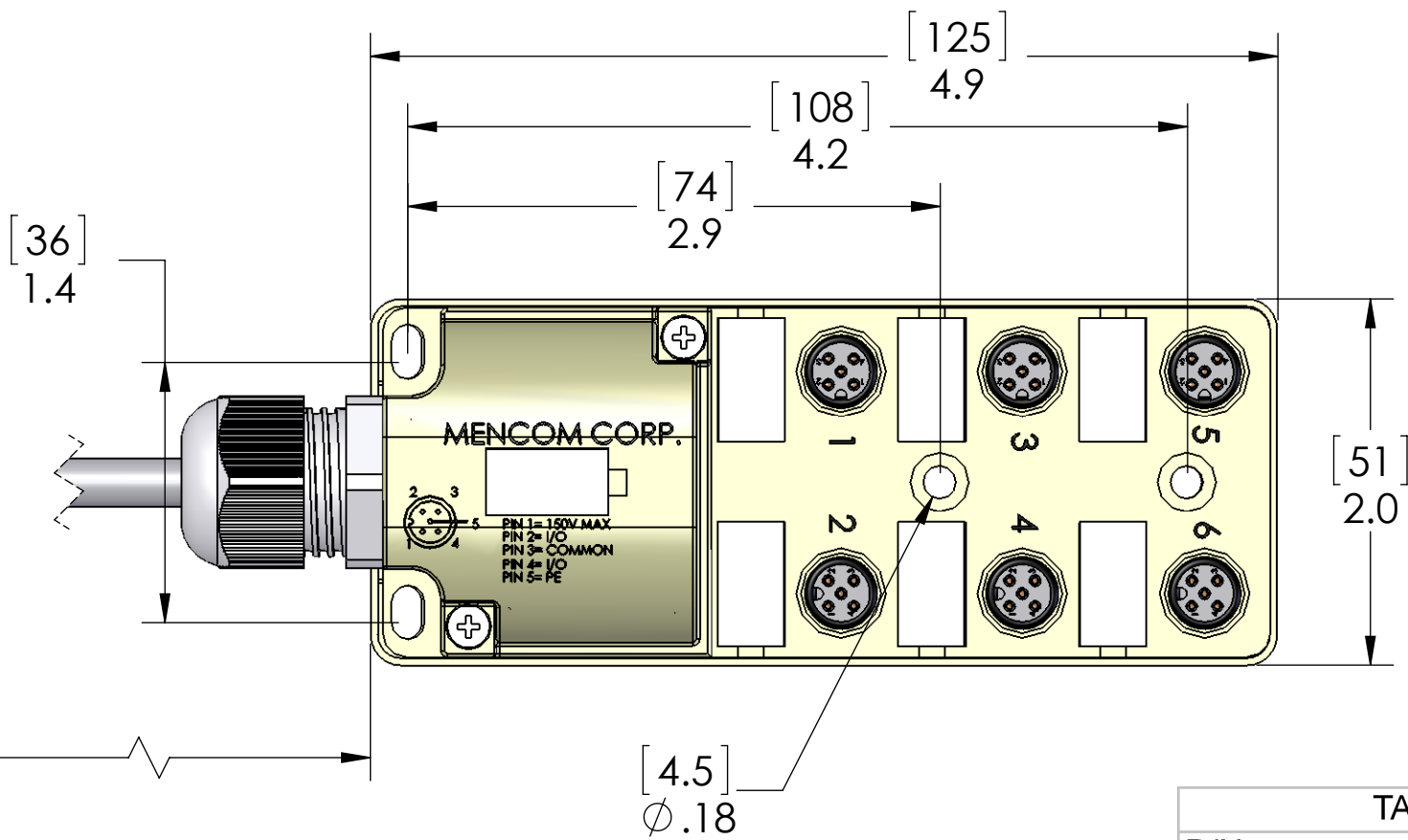
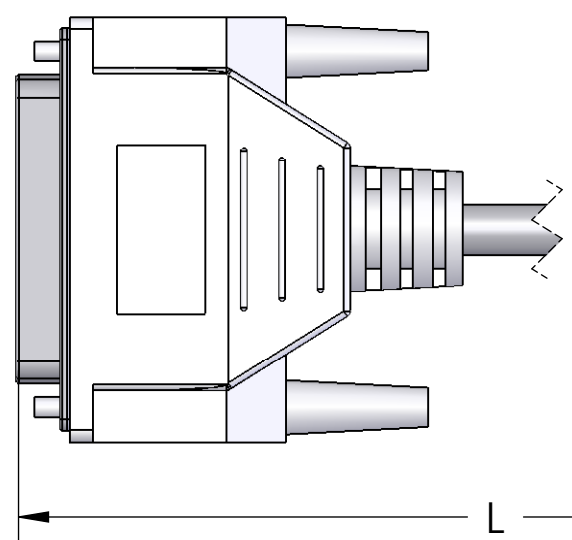


DB25 PIN #	PORT / PIN	FUNCTION
22 & 23	ALL PORTS PIN 1	V+
24 & 25	ALL PORTS PIN 3	V-
DRAIN	ALL PORTS PIN 5	GRND
2	PORT 1 PIN 2	I/O
1	PORT 1 PIN 4	I/O
4	PORT 2 PIN 2	I/O
3	PORT 2 PIN 4	I/O
6	PORT 3 PIN 2	I/O
5	PORT 3 PIN 4	I/O
8	PORT 4 PIN 2	I/O
7	PORT 4 PIN 4	I/O
10	PORT 5 PIN 2	I/O
9	PORT 5 PIN 4	I/O
12	PORT 6 PIN 2	I/O
11	PORT 6 PIN 4	I/O

REVISIONS			
REV.	DESCRIPTION	DATE	APPROVED
A	REDRAWN IN SW	9/12/2011	DCT



DB25 MALE PLUG



MENCOM CORP.  
 PIN 1 = 150V MAX  
 PIN 2 = I/O  
 PIN 3 = COMMON  
 PIN 4 = I/O  
 PIN 5 = PE

P/N	L
JDC-650-025-D010	40" [1m]
JDC-650-025-D020	79" [2m]
JDC-650-025-D040	157" [4m]
JDC-650-025-D050	197" [5m]
JDC-650-025-D060	238" [6m]
JDC-650-025-D100	393" [10m]

MATERIALS	
BODY:	PBT
CABLE GLAND:	POLYAMIDE
CABLE:	20/4, 24/21 SHIELDED PVC JACKETED
CONTACTS:	GOLD PLATED COPPER ALLOY
RATINGS:	
AMPERAGE:	2A PER PORT, 8A PER BLOCK
VOLTAGE:	150V max
SEAL RATING:	IP67 BLOCK, IP40 DB25

**PROPRIETARY AND CONFIDENTIAL**  
 THE INFORMATION CONTAINED IN THIS DRAWING IS THE SOLE PROPERTY OF MENCOM CORPORATION. ANY REPRODUCTION IN PART OR AS A WHOLE WITHOUT THE WRITTEN PERMISSION OF MENCOM CORPORATION IS PROHIBITED.

UNLESS OTHERWISE SPECIFIED:		NAME	
DIMENSIONS ARE IN INCHES AND [MM]		DRAWN	DWM
		CHECKED	
		ENG APPR.	
		MFG APPR.	
		Q.A.	
MATERIAL		COMMENTS:	
FINISH			
DO NOT SCALE DRAWING			

MENCOM CORPORATION		
TITLE:		
SIZE	DWG. NO.	REV
<b>B</b>	JDC-650-025-DZZ	<b>A</b>
SCALE: 1:1	WEIGHT:	SHEET 1 OF 1