



# JDC (M12) Junction Blocks

8 Port, 3 Pin JDC Junction blocks



MIN Receptacle | MIN Plug | IP67 Protection Rating

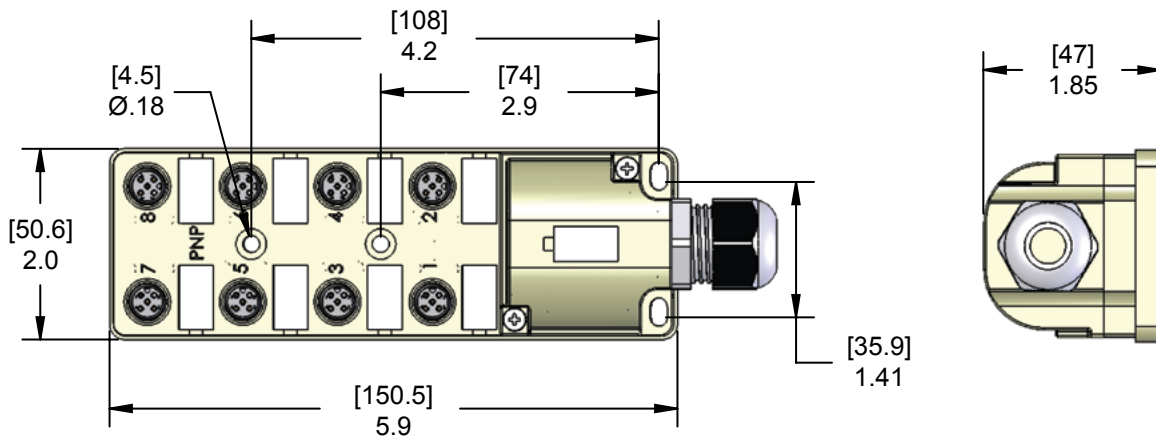


Trunk Style	UL Rating	Trunk Connection	Part Number		
			No LED	PNP	NPN
	N/A	MIN Size III 10 Pole Male Receptacle	JDC-830-010-M000	JDC-83P-210-M000	JDC-83N-210-M000
	N/A	MIN Size III 10 Pole Male Plug with Male Thread	JDC-830-010-M003	JDC-83P-210-M003	JDC-83N-210-M003
	N/A	MIN Size III 10 Pole Male Plug	JDC-830-010-M**	JDC-83P-210-M**	JDC-83N-210-M**

\*\* Lengths in meters. Standard Cable lengths are 2m, 5m and 10m. Consult factory for other lengths.

JDC Junction Blocks

Q



### Specifications:

Ratings:	3 A per Connector 8 A per Block	Inserts:	Polyamide
Voltage:	Without LEDs: 0-150 Volt Max With LEDs: 48 VDC Max in accordance with LED Configuration	Port Coupling Nuts:	PBT
Body:	Polypropylene	O-Ring:	BUNA-N
		LED Lens:	Polycarbonate
		Contacts:	Copper Alloy with Gold Plating
		Marker Tags:	Polyamide (supplied on all units)