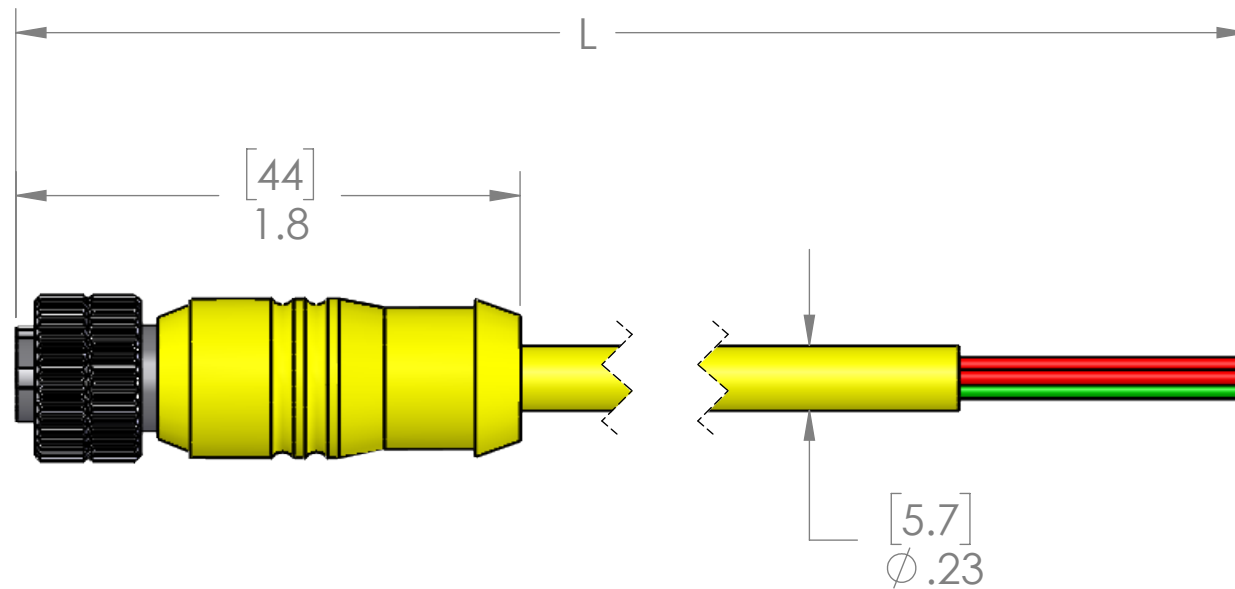
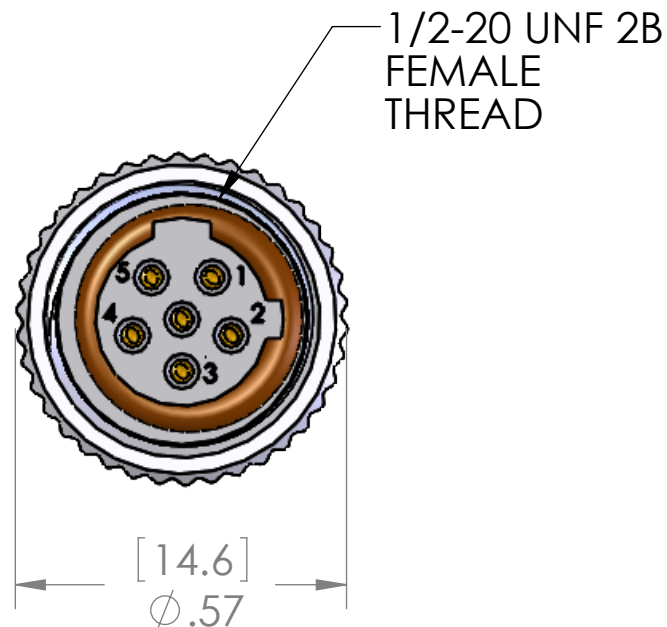


PIN #	COLOR
1	RED w/WHITE
2	RED
3	GREEN / YELLOW
4	RED w/ YELLOW
5	RED w/BLACK
6	RED w/BLUE



P/N	L	STD?
MAC-6FP-1M	40" [1m]	YES
MAC-6FP-2M	79" [2m]	YES
MAC-6FP-3M	118" [3m]	NO
MAC-6FP-4M	157" [4m]	NO
MAC-6FP-5M	197" [5m]	YES
MAC-6FP-6M	236" [6m]	NO
MAC-6FP-8M	315" [8m]	NO
MAC-6FP-10M	393" [10m]	YES
MAC-6FP-15M	591" [15m]	YES
MAC-6FP-20M	787" [20m]	NO
MAC-6FP-30M	1181" [30m]	NO
MAC-6FP-50M	1968" [50m]	NO

PARTS LISTED AS NOT BEING STANDARD  
MAY REQUIRE MINIMUM ORDERS

B MATERIALS	
BODY:	YELLOW PVC
CONTACTS:	GOLD PLATED COPPER ALLOY
CABLE:	
STYLE:	AWM
AWG:	22 AWG
JACKET:	YELLOW PVC
VOLTAGE:	600V
SHIELD:	NO
COUPLING:	NICKEL PLATED BRASS
INSERT:	POLYAMIDE
O-RING:	FPM
A APPROVALS	
US:	UL LISTED
CANADA:	C-UL LISTED
ROHS:	YES
CE & UKCA:	YES
RATINGS	
PROTECTION CLASS:	UL TYPE 4 & 12, IEC IP69

**PROPRIETARY AND CONFIDENTIAL**  
THE INFORMATION CONTAINED IN THIS DRAWING IS THE SOLE PROPERTY OF MENCOM CORPORATION. ANY REPRODUCTION IN PART OR AS A WHOLE WITHOUT THE WRITTEN PERMISSION OF MENCOM CORPORATION IS PROHIBITED.

VOLTS	300V
AMPS	4A
TEMP:	105°C

UNLESS OTHERWISE SPECIFIED:	DRAWN BY	ADM
DIMENSIONS ARE IN INCHES AND [MM]	DRAWN DATE	08/03/2023
	CHECKED BY	JJH
	CHECK DATE	08/07/2023
MATERIAL	COMMENTS:	
FINISH		
DO NOT SCALE DRAWING		

MENCOM CORPORATION		
TITLE:		
SIZE	DWG. NO.	REV
<b>B</b>	MAC-6FP-ZZ	<b>C</b>
SCALE: 1.5:1	WEIGHT:	SHEET 1 OF 1