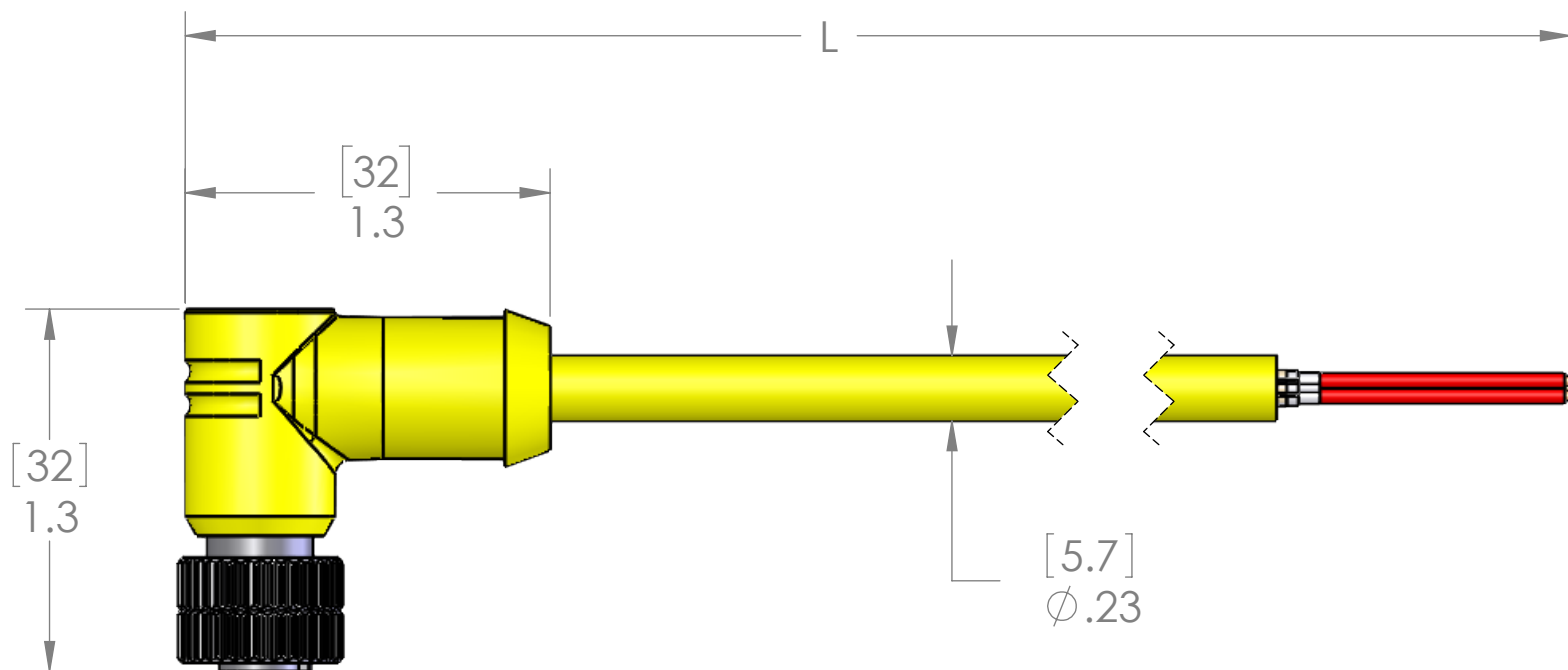
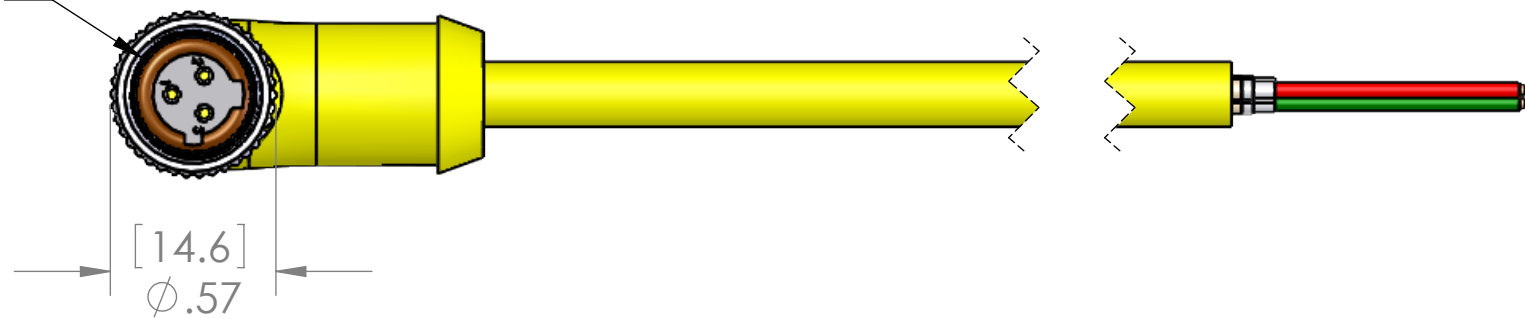


PIN #	COLOR
1	GREEN / YELLOW
2	RED w/BLACK
3	RED w/WHITE



1/2-20 UNF 2B
FEMALE
THREAD



P/N	L	STD?
MACB-3FP-1M-R	40" [1m]	YES
MACB-3FP-2M-R	79" [2m]	YES
MACB-3FP-3M-R	118" [3m]	NO
MACB-3FP-4M-R	157" [4m]	NO
MACB-3FP-5M-R	197" [5m]	YES
MACB-3FP-6M-R	236" [6m]	NO
MACB-3FP-8M-R	315" [8m]	NO
MACB-3FP-10M-R	393" [10m]	YES
MACB-3FP-15M-R	591" [15m]	YES
MACB-3FP-20M-R	787" [20m]	NO
MACB-3FP-30M-R	1181" [30m]	NO

PARTS LISTED AS NOT BEING STANDARD
MAY REQUIRE MINIMUM ORDERS

MATERIALS	
BODY:	YELLOW PVC
CONTACTS:	GOLD PLATED COPPER ALLOY
CABLE:	
STYLE:	AWM
AWG:	22 AWG
JACKET:	YELLOW PVC
VOLTAGE:	600V
SHIELD:	BRAIDED W/DRAIN
COUPLING:	NICKEL PLATED BRASS
INSERT:	POLYAMIDE
O-RING:	FPM
APPROVALS	
US:	UL LISTED
CANADA:	C-UL LISTED
ROHS:	YES
CE & UKCA:	YES
RATINGS	
PROTECTION CLASS:	UL TYPE 4 & 12, IEC IP69

PROPRIETARY AND CONFIDENTIAL
THE INFORMATION CONTAINED IN THIS
DRAWING IS THE SOLE PROPERTY OF
MENCOM CORPORATION. ANY
REPRODUCTION IN PART OR AS A WHOLE
WITHOUT THE WRITTEN PERMISSION OF
MENCOM CORPORATION IS
PROHIBITED.

VOLTS	300V
AMPS	4A
TEMP:	105°C

UNLESS OTHERWISE SPECIFIED:	DRAWN BY	ADM
DIMENSIONS ARE IN INCHES AND [MM]	DRAWN DATE	08/07/2023
	CHECKED BY	JJH
	CHECK DATE	08/07/2023
	COMMENTS:	
MATERIAL		
FINISH		
DO NOT SCALE DRAWING		

MENCOM CORPORATION		
TITLE:		
SIZE	DWG. NO.	REV
B	MACB-3FP-ZZ-R	B
SCALE: 1.5:1	WEIGHT:	SHEET 1 OF 1