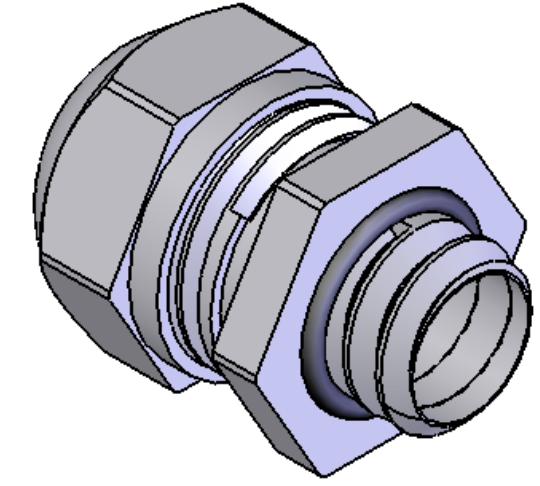
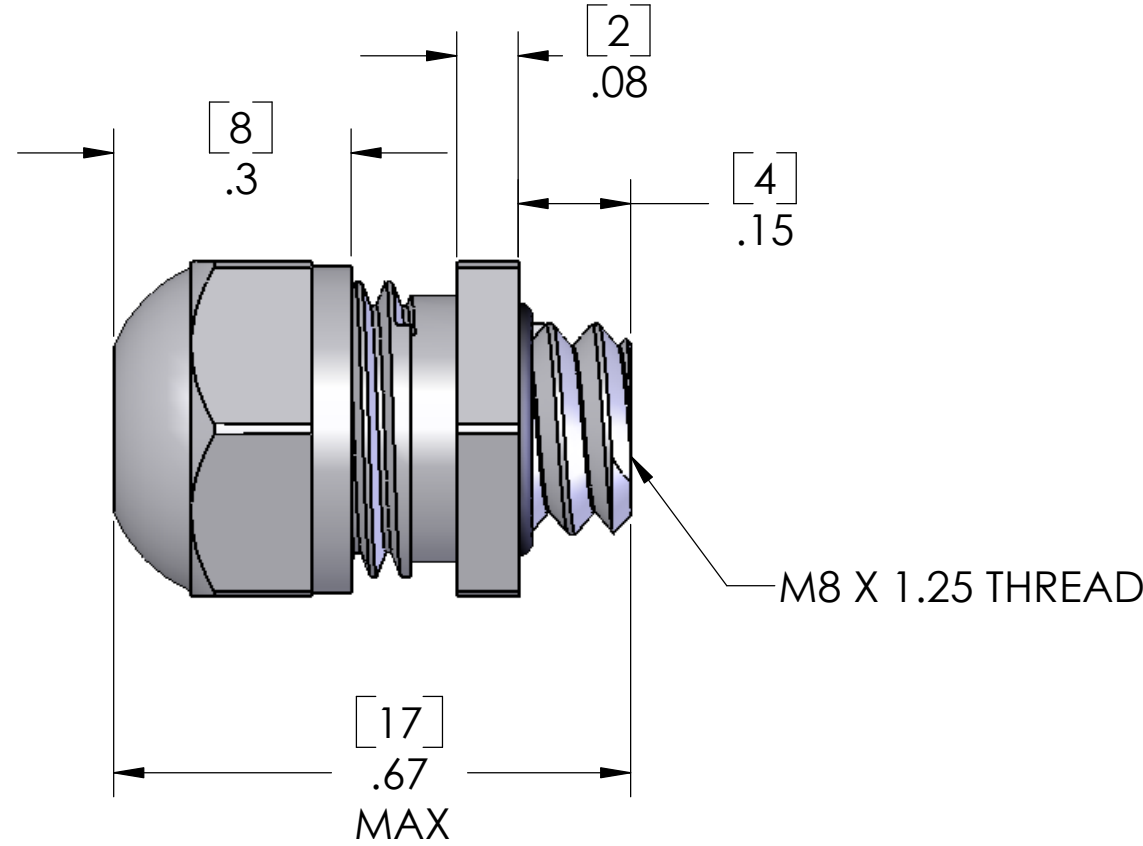
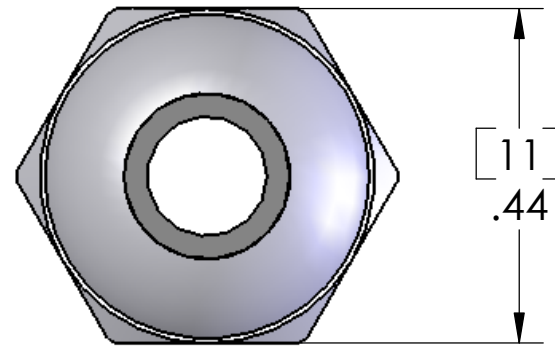


REVISIONS			
REV.	DESCRIPTION	DATE	APPROVED
A	REDRAWN IN NEW CAD	8/18/2005	BEM
B	THREAD CORRECTED TO BE M8 X 1.25	10/28/2005	



LOCK NUT NOT INCLUDED

SEALING RANGE: .118 - .197 (3-5 MM)
SEAL RATED TO: IP 68

MATERIALS:	
BODY:	NICKEL PLATED BRASS
INSERT:	POLYAMIDE
GROMMET:	NEOPRENE
LOCK NUT:	NICKEL PLATED BRASS
O-RING:	BUNA-N

PROPRIETARY AND CONFIDENTIAL
THE INFORMATION CONTAINED IN THIS DRAWING IS THE SOLE PROPERTY OF MENCOM CORPORATION. ANY REPRODUCTION IN PART OR AS A WHOLE WITHOUT THE WRITTEN PERMISSION OF MENCOM CORPORATION IS PROHIBITED.

UNLESS OTHERWISE SPECIFIED:		NAME		MENCOM CORPORATION	
DIMENSIONS ARE IN INCHES		DRAWN	BEM	TITLE:	
		CHECKED			
		ENG APPR.			
		MFG APPR.			
		Q.A.			
		COMMENTS:			
MATERIAL				SIZE	DWG. NO.
FINISH				B	MCG-M08
DO NOT SCALE DRAWING				SCALE: 4:1	WEIGHT:
				SHEET 1 OF 1	
				REV	B