

8 7 6 5 4 3 2 1

D

D

C

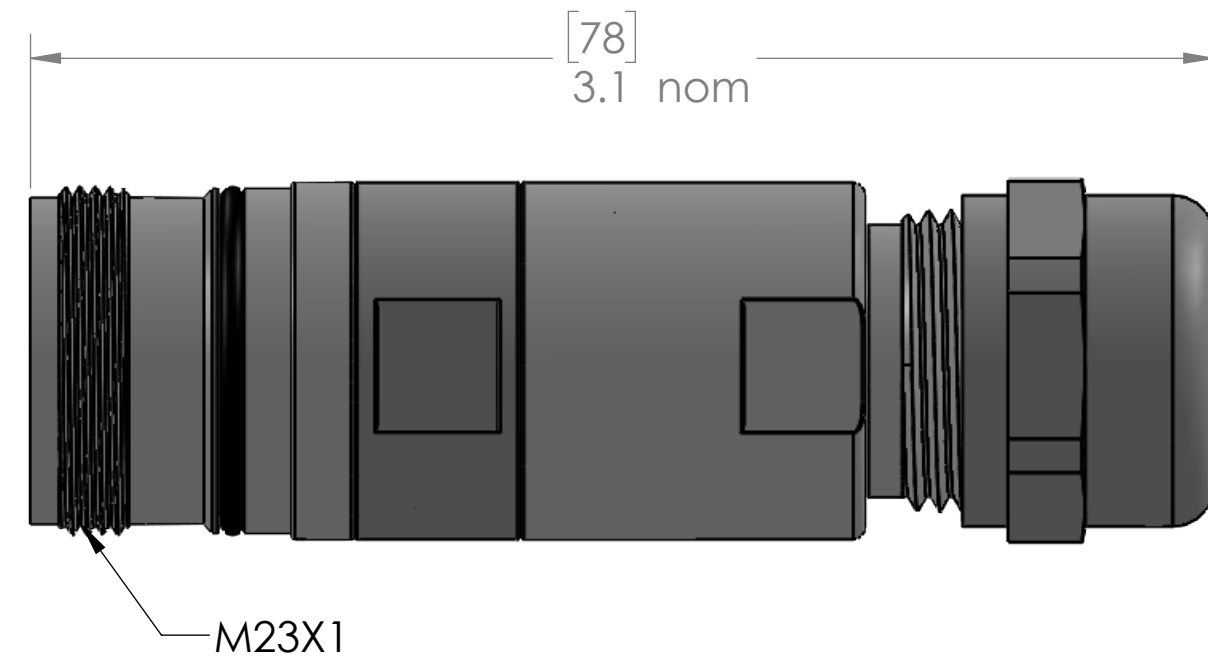
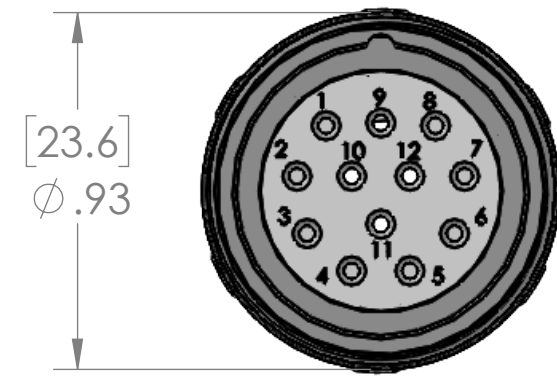
C

B

B

A

A



CONNECTION MADE VIA CRIMP CONTACTS (ORDERED SEPARATELY)
 [CONTACT P/NS: 18AWG: MCV-FR-PIN
 20 - 24AWG: MCV-FR-PIN-20]

MATERIALS	
BODY:	NICKEL PLATED BRASS
CABLE SEAL:	NBR
INSERT:	PBT
GLAND	NICKEL PLATED BRASS
RATINGS	
AMPS:	8A MAX
VOLTS:	300V MAX
SEAL:	IP67
CABLE RANGE:	18AWG - 24AWG
	0.196" - 0.512" (5mm - 13mm) OD
TEMPERATURE:	-40°C - 125°C

PROPRIETARY AND CONFIDENTIAL
 THE INFORMATION CONTAINED IN THIS DRAWING IS THE SOLE PROPERTY OF MENCOM CORPORATION. ANY REPRODUCTION IN PART OR AS A WHOLE WITHOUT THE WRITTEN PERMISSION OF MENCOM CORPORATION IS PROHIBITED.

UNLESS OTHERWISE SPECIFIED: DIMENSIONS ARE IN INCHES AND [MM]	DRAWN BY	JJH
	DRAWN DATE	05/11/2023
	CHECKED BY	ADM
	CHECK DATE	05/11/2023
COMMENTS:		
MATERIAL		
FINISH		
DO NOT SCALE DRAWING		

MENCOM CORPORATION		
TITLE: MCV ASSEMBLED FW PLUG HEAD CRIMP		
SIZE	DWG. NO.	REV
B	MCV-12FPM-FW-CC	A
SCALE: 2:1	WEIGHT:	SHEET 1 OF 1

8 7 6 5 4 3 2 1