

8 7 6 5 4 3 2 1

D

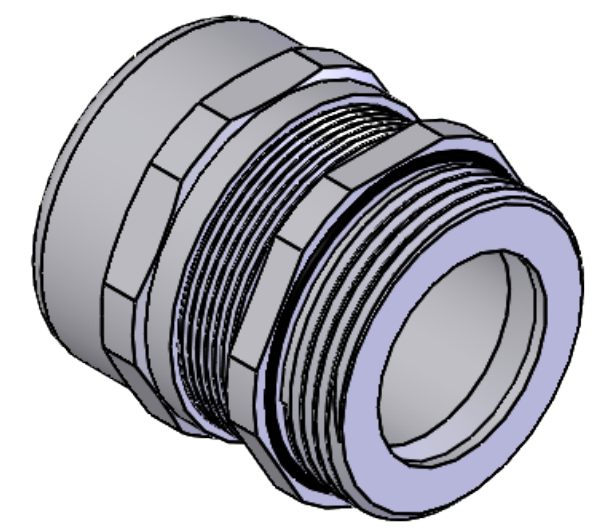
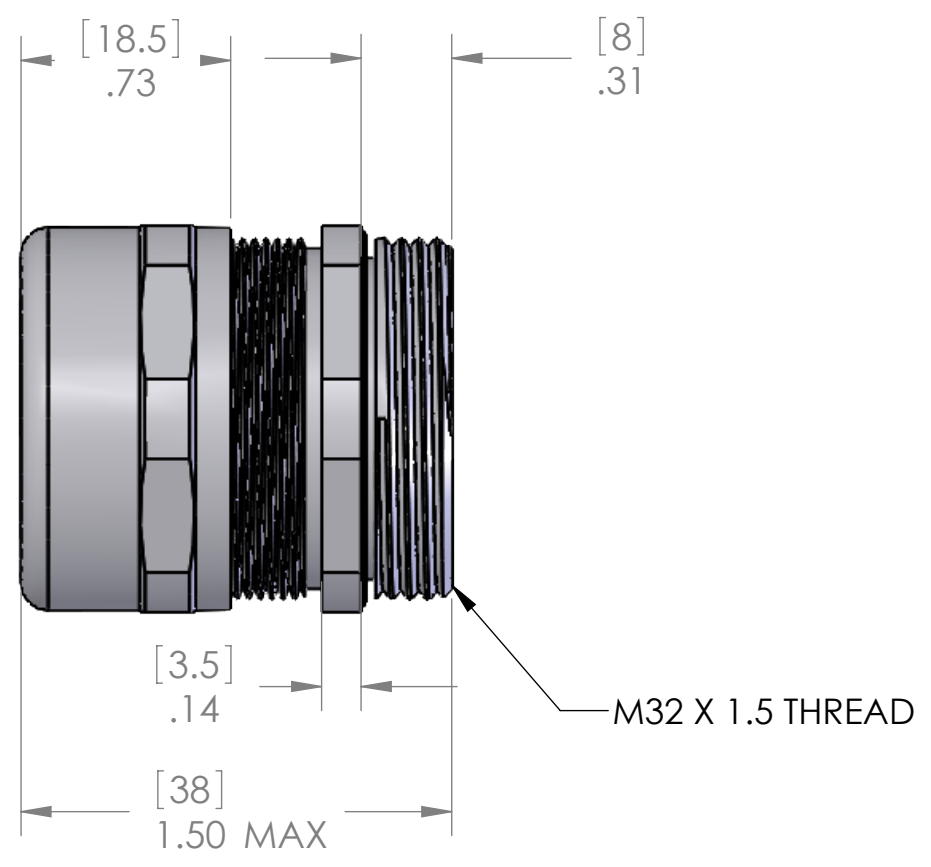
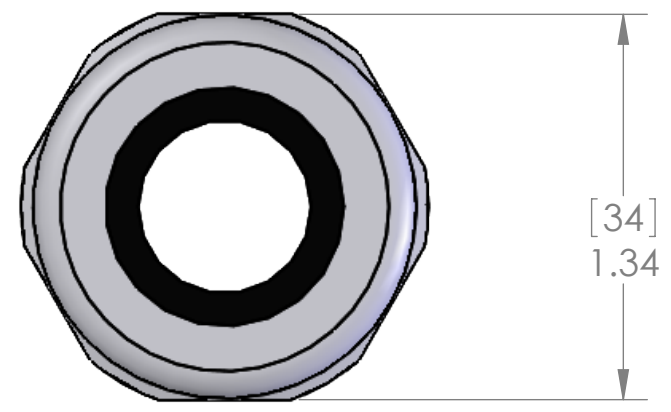
D

C

C

B

B



SEALING RANGE: 12-21MM  
SEAL RATED TO: IP 68

MATERIALS:	
BODY:	STAINLESS STEEL
INSERT:	POLYAMIDE
GROMMET:	CR/NBR
O-RING:	NBR
SPECIFICATIONS:	
TEMPERATURE:	-20°C - +100°C
APPROVALS:	
U.S.	UL RECOGNIZED
CANADA	C-UL RECOGNIZED

**PROPRIETARY AND CONFIDENTIAL**  
THE INFORMATION CONTAINED IN THIS DRAWING IS THE SOLE PROPERTY OF MENCOM CORPORATION. ANY REPRODUCTION IN PART OR AS A WHOLE WITHOUT THE WRITTEN PERMISSION OF MENCOM CORPORATION IS PROHIBITED.

UNLESS OTHERWISE SPECIFIED: DIMENSIONS ARE IN INCHES AND [MM]	DRAWN BY	DCG
	DRAWN DATE	05/06/2019
	CHECKED BY	JJH
	CHECK DATE	05/06/2019
COMMENTS:		
MATERIAL		
FINISH		
DO NOT SCALE DRAWING		

MENCOM CORPORATION		
TITLE:		
SIZE	DWG. NO.	REV
<b>B</b>	MCG-M32-SS	<b>A</b>
SCALE: 3:2	WEIGHT:	SHEET 1 OF 1

8 7 6 5 4 3 2 1