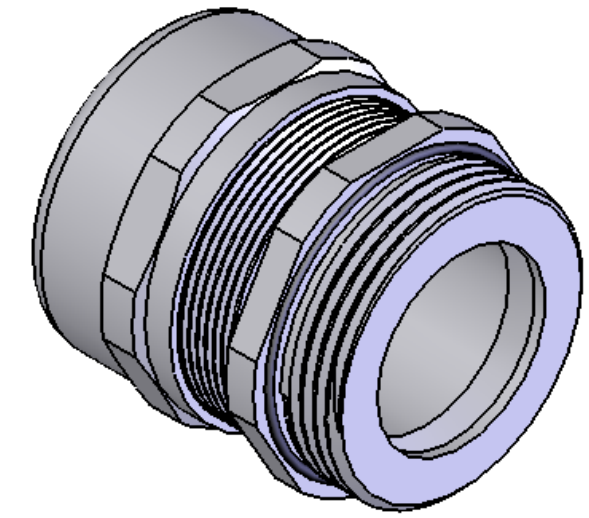
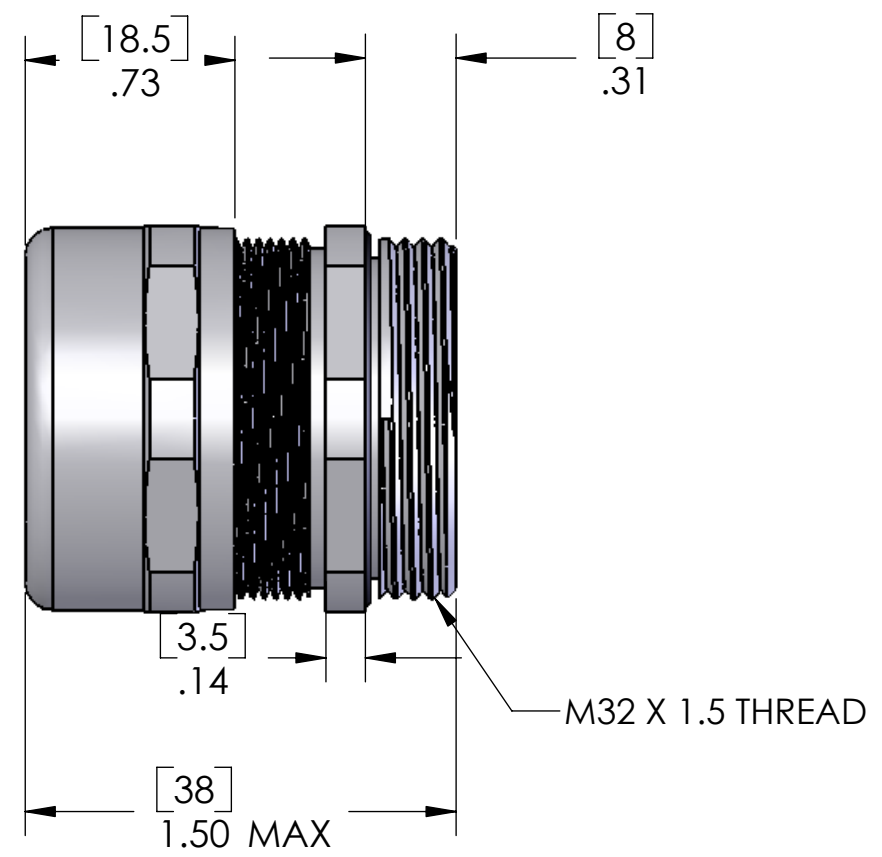
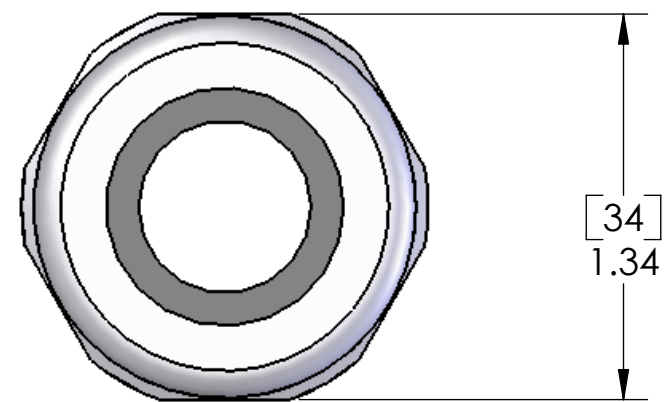


REVISIONS			
REV.	DESCRIPTION	DATE	BEM
A	REDRAWN IN SW	6/21/2005	BEM



SEALING RANGE: 12-21MM
SEAL RATED TO: IP 68

LOCK NUT INCLUDED BUT NOT SHOWN

MATERIALS:	
BODY:	NICKEL PLATED BRASS
INSERT:	POLYAMIDE
GROMMET:	NBR & TPE
LOCK NUT:	NICKEL PLATED BRASS
O-RING:	NBR

PROPRIETARY AND CONFIDENTIAL
THE INFORMATION CONTAINED IN THIS DRAWING IS THE SOLE PROPERTY OF MENCOM CORPORATION. ANY REPRODUCTION IN PART OR AS A WHOLE WITHOUT THE WRITTEN PERMISSION OF MENCOM CORPORATION IS PROHIBITED.

UNLESS OTHERWISE SPECIFIED:		NAME		MENCOM CORPORATION	
DIMENSIONS ARE IN INCHES AND [MM]		DRAWN	BEM	TITLE:	
		CHECKED			
		ENG APPR.			
		MFG APPR.			
		Q.A.			
		COMMENTS:			
MATERIAL				SIZE	DWG. NO.
FINISH				B	MCG-M32
DO NOT SCALE DRAWING				SCALE: 3:2	WEIGHT:
				REV A	
				SHEET 1 OF 1	