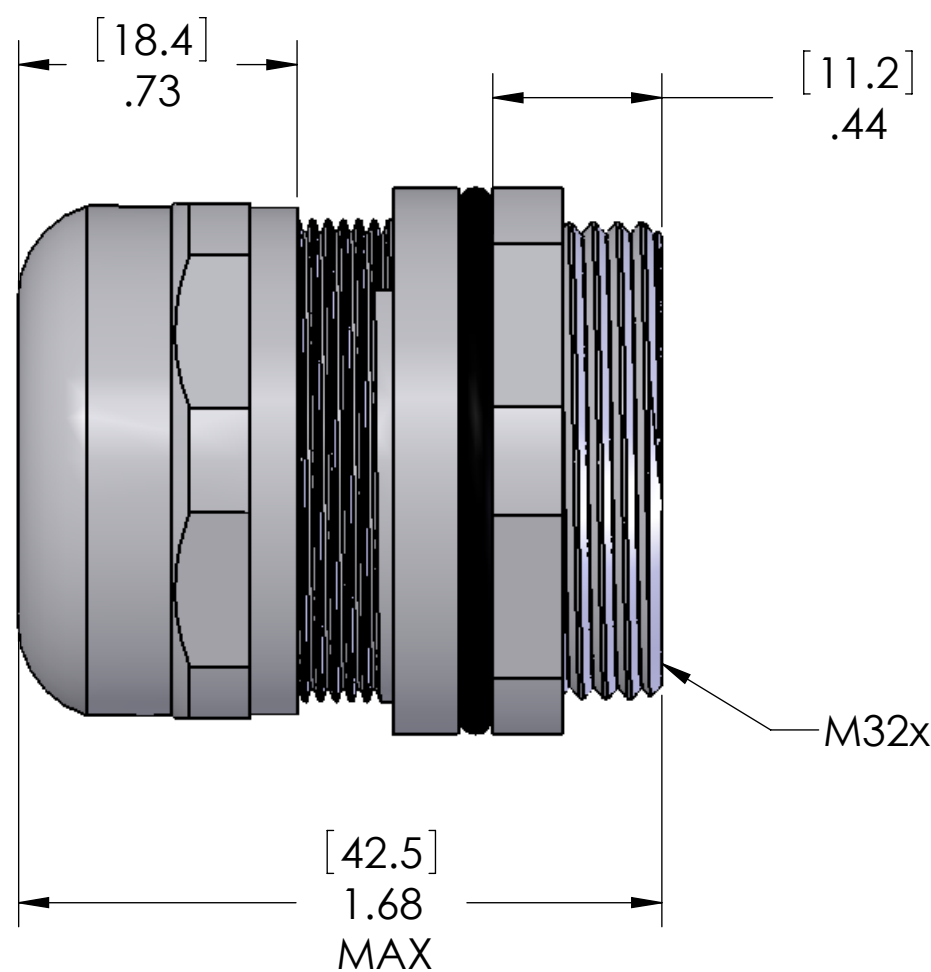
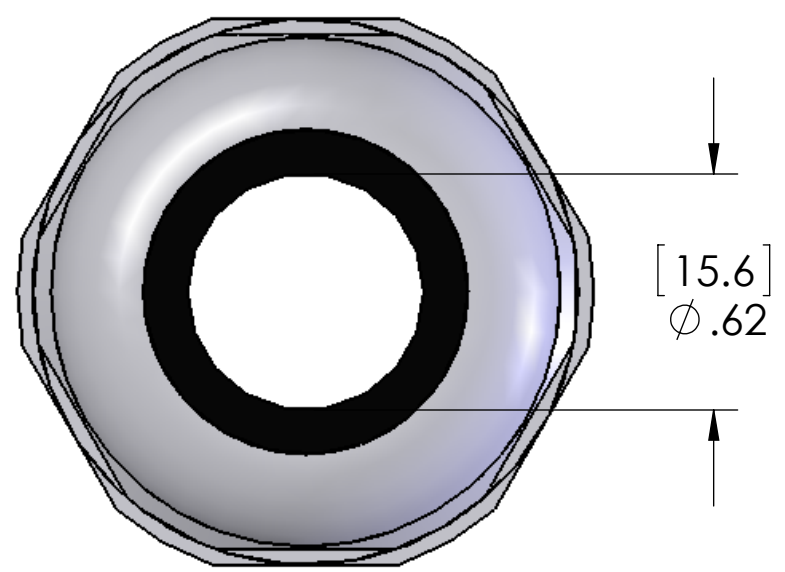
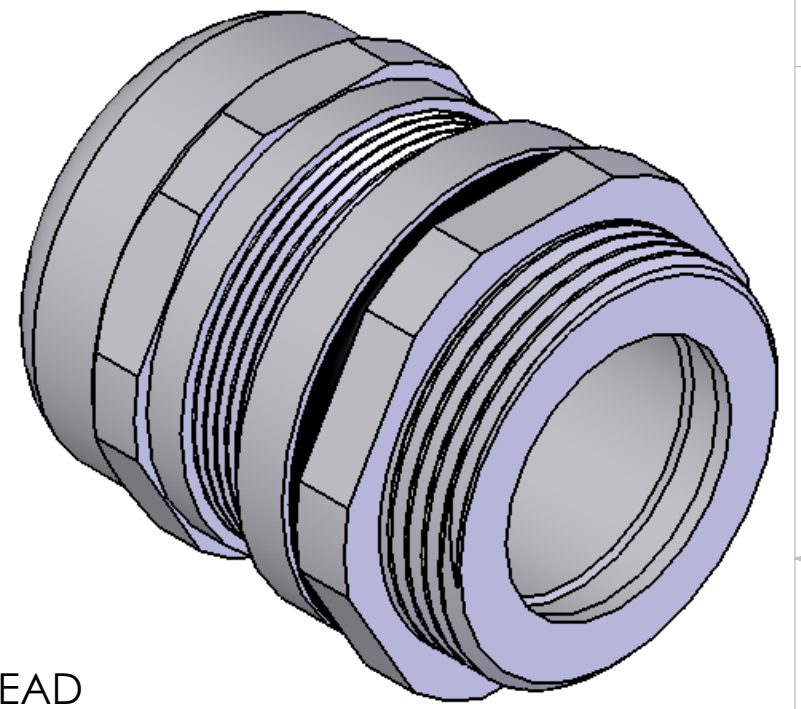


This is a shielding cable gland. For cables with a shield, the shield needs to be folded slightly around the gray plastic insert to allow the shield to be pinched between the gray plastic insert and the bottom of the gland.

REVISIONS			
REV.	DESCRIPTION	DATE	APPROVED
A	DRAWING IN SW	5/9/2013	DCT



M32x1.5 THREAD



SEALING RANGE: .551 - .827 (14-21 MM)  
SEAL RATED TO: IP68  
RECOMMENDED HOLE: 32.5MM

MATERIALS:	
BODY:	NICKEL PLATED BRASS
INSERT:	POLYAMIDE
GROMMET:	NEOPRENE
LOCK NUT:	NICKEL PLATED BRASS
O-RING:	BUNA-N

**PROPRIETARY AND CONFIDENTIAL**  
THE INFORMATION CONTAINED IN THIS DRAWING IS THE SOLE PROPERTY OF MENCOM CORPORATION. ANY REPRODUCTION IN PART OR AS A WHOLE WITHOUT THE WRITTEN PERMISSION OF MENCOM CORPORATION IS PROHIBITED.

UNLESS OTHERWISE SPECIFIED:	
DIMENSIONS ARE IN INCHES	
MATERIAL	
FINISH	
DO NOT SCALE DRAWING	

NAME		MENCOM CORPORATION	
DRAWN	JJH	TITLE:	
CHECKED		SIZE	
ENG APPR.		DWG. NO.	REV
MFG APPR.		<b>B</b>	<b>A</b>
Q.A.		MCGB-M32L	
COMMENTS:		SCALE: 3:1	WEIGHT:
		SHEET 1 OF 1	