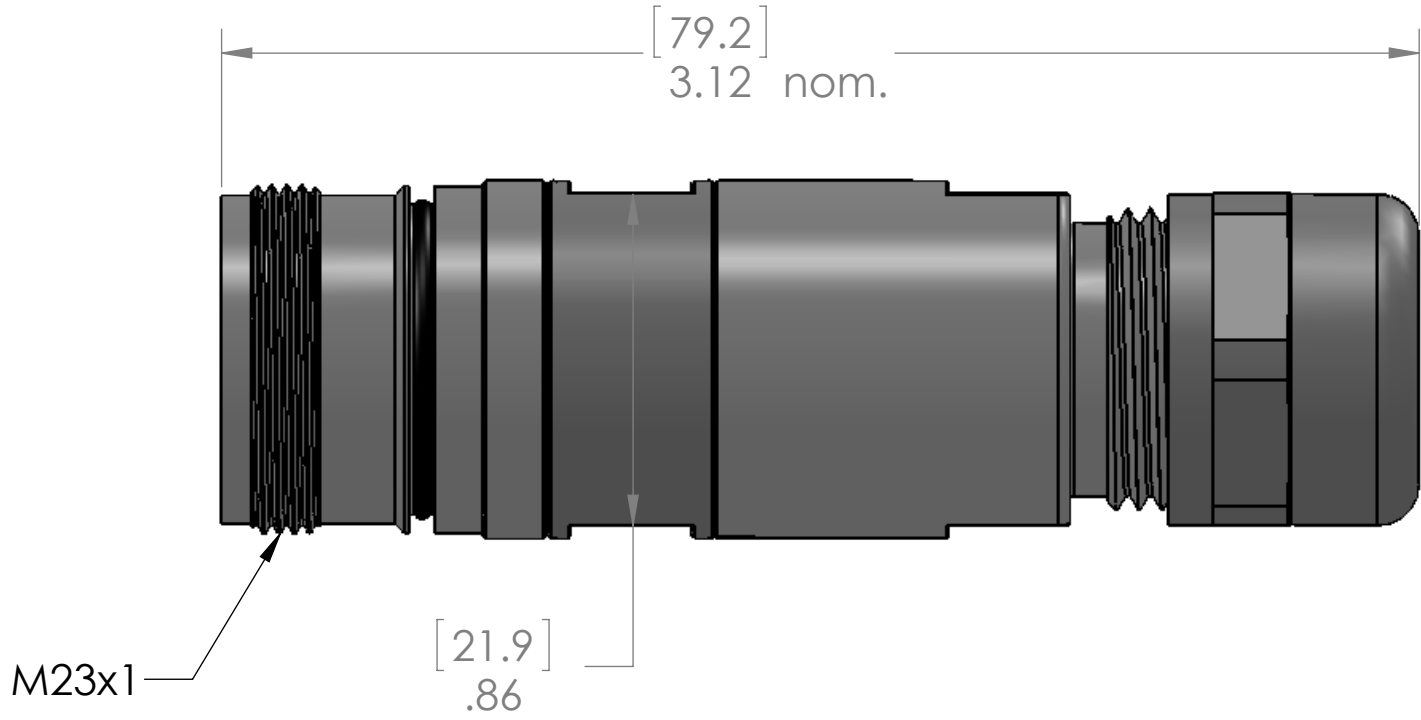
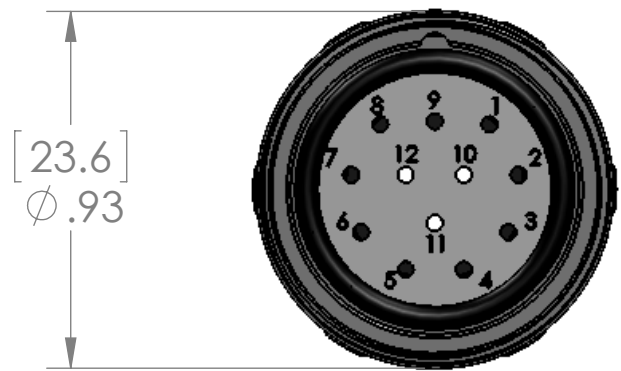


REVISIONS			
REV.	DESCRIPTION	DATE	APPROVED
A	REDRAWN IN SW	4/2/2015	JJH



CONNECTION MADE VIA CRIMP CONTACTS (ORDERED SEPARATELY)
 [CONTACT P/Ns: 18 - 20AWG: MCV-PIN-C-18
 20 - 24AWG: MCV-PIN-C

MATERIALS:	
BODY:	NICKEL PLATED BRASS
SEALS:	NBR
GLAND:	NICKEL PLATED BRASS
RATINGS:	
VOLTS:	150V
AMPS:	4A
TEMP:	-40°C (static) - +125°C
WIRE AWG:	18AWG - 24AWG
CABLE DIA.:	0.236 - 0.472" [6-12mm]

PROPRIETARY AND CONFIDENTIAL
 THE INFORMATION CONTAINED IN THIS DRAWING IS THE SOLE PROPERTY OF MENCOM CORPORATION. ANY REPRODUCTION IN PART OR AS A WHOLE WITHOUT THE WRITTEN PERMISSION OF MENCOM CORPORATION IS PROHIBITED.

UNLESS OTHERWISE SPECIFIED:		NAME		MENCOM CORPORATION
DIMENSIONS ARE IN INCHES AND [MM]		DRAWN	BEM	
		CHECKED		
		ENG APPR.		
		MFG APPR.		
		Q.A.		
		COMMENTS:		
MATERIAL				TITLE:
FINISH				SIZE DWG. NO. REV
DO NOT SCALE DRAWING				B MCV-12MPM-FW-CC A
		SCALE: 2:1	WEIGHT:	SHEET 1 OF 1