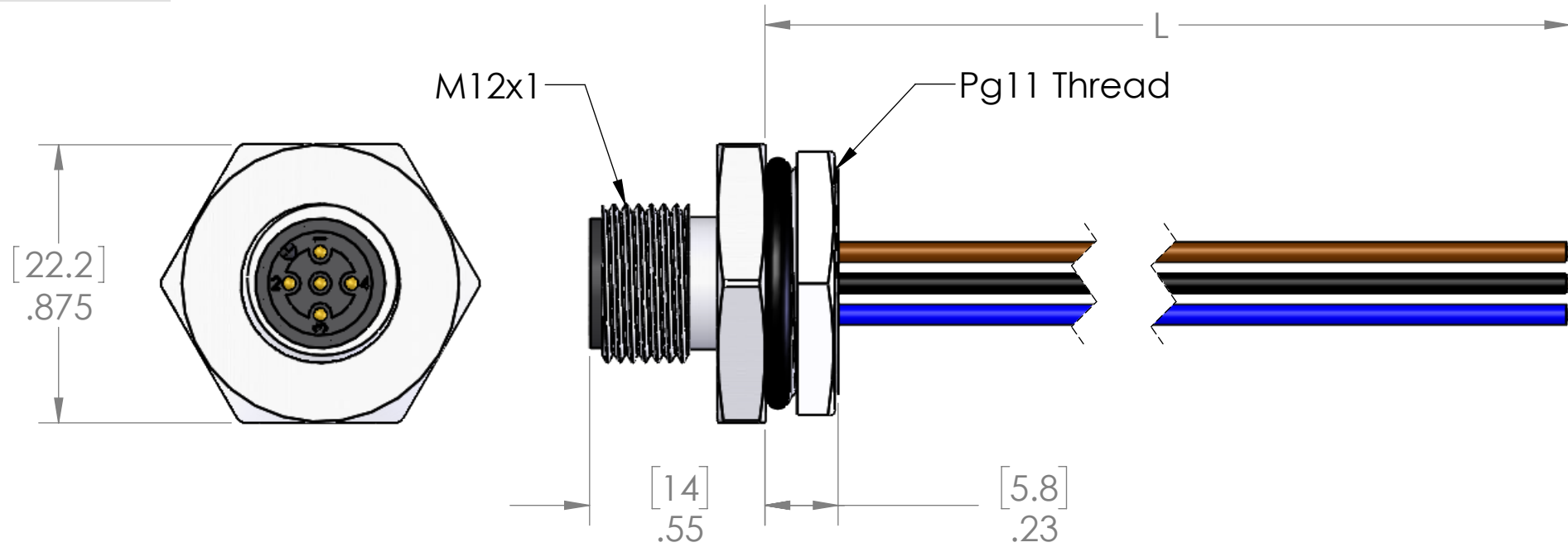


PIN #	COLOR
1	BROWN
2	WHITE
3	BLUE
4	BLACK
5	GRAY



P/N	L
MDC-5MR-PG11-SS	12" [0.3m]
MDC-5MR-PG11-0.5M-SS	20" [0.5m]
MDC-5MR-PG11-0.6M-SS	24" [0.6m]
MDC-5MR-PG11-1M-SS	40" [1m]
MDC-5MR-PG11-2M-SS	79" [2m]
MDC-5MR-PG11-3M-SS	118" [3m]
MDC-5MR-PG11-5M-SS	197" [5m]
MDC-5MR-PG11-10M-SS	393" [10m]

OTHER LENGTHS ARE AVAILABLE  
PLEASE CONSULT FACTORY

<b>MATERIALS</b>	
SHELL:	STAINLESS STEEL
CONTACTS:	GOLD PLATED COPPER ALLOY
WIRES:	
STYLE:	UL 1007/1569
AWG:	22 AWG
JACKET:	PVC
VOLTAGE:	300V
INSERT:	POLYAMIDE
O-RING:	NBR
NUT:	NICKEL PLATED BRASS
<b>APPROVALS</b>	
US:	UL LISTED
CANADA:	C-UL LISTED
ROHS:	YES
CE & UKCA:	YES
<b>RATINGS</b>	
PROTECTION CLASS:	UL TYPE 4 & 12, IEC IP69

**PROPRIETARY AND CONFIDENTIAL**  
THE INFORMATION CONTAINED IN THIS DRAWING IS THE SOLE PROPERTY OF MENCOM CORPORATION. ANY REPRODUCTION IN PART OR AS A WHOLE WITHOUT THE WRITTEN PERMISSION OF MENCOM CORPORATION IS PROHIBITED.

VOLTS	300V
AMPS	4A
TEMP:	105°C

UNLESS OTHERWISE SPECIFIED:	DRAWN BY	ADM
DIMENSIONS ARE IN INCHES AND [MM]	DRAWN DATE	07/07/2023
	CHECKED BY	JJH
	CHECK DATE	07/10/2023
MATERIAL		COMMENTS:
FINISH		
DO NOT SCALE DRAWING		

<b>MENCOM CORPORATION</b>		
TITLE:		
SIZE	DWG. NO.	REV
<b>B</b>	MDC-5MR-PG11-ZZ-SS	<b>B</b>
SCALE: 2:1	WEIGHT:	SHEET 1 OF 1