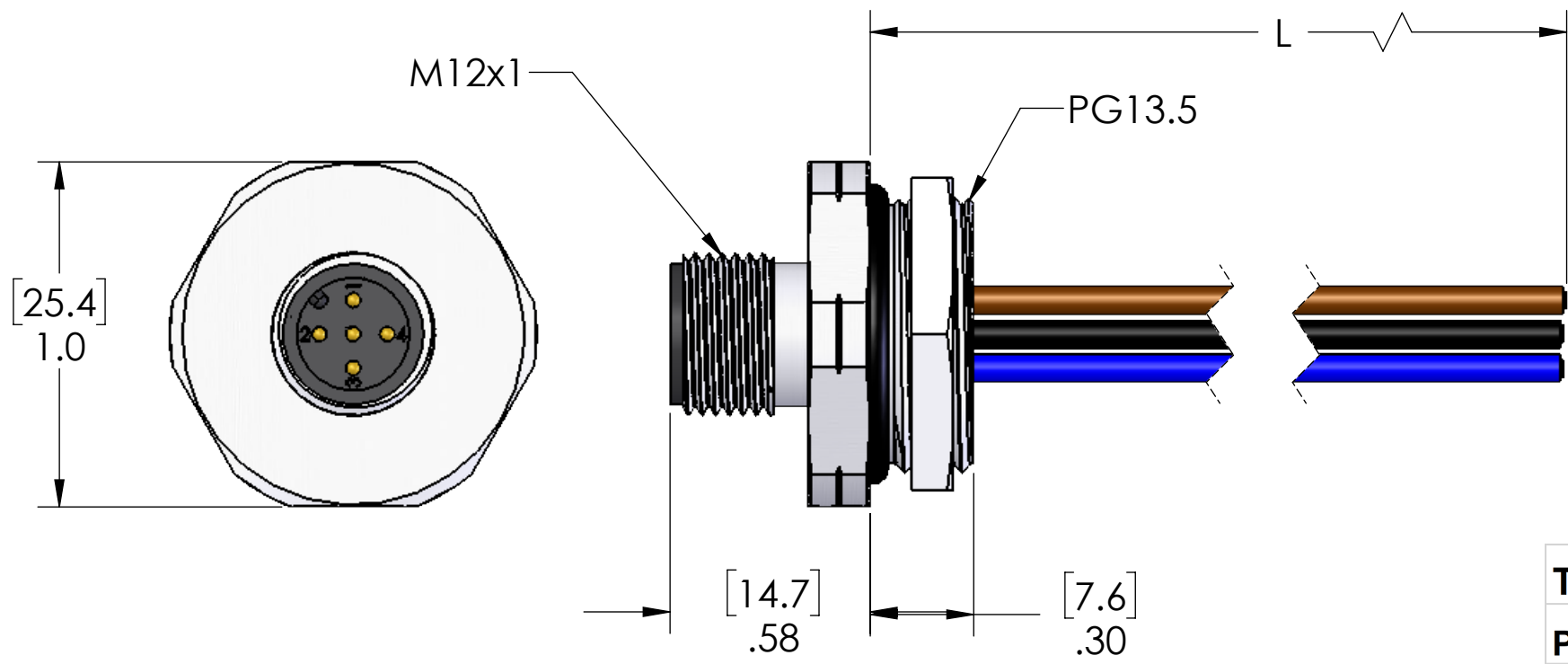


PIN #	COLOR
1	BROWN
2	WHITE
3	BLUE
4	BLACK
5	GRAY



P/N	L
MDC-5MR-PG13.5-18	12" [0.3M]
MDC-5MR-PG13.5-0.5M-18	20" [0.5M]
MDC-5MR-PG13.5-0.6M-18	24" [0.5M]
MDC-5MR-PG13.5-1M-18	40" [1M]
MDC-5MR-PG13.5-2M-18	79" [2M]
MDC-5MR-PG13.5-3M-18	118" [3M]
MDC-5MR-PG13.5-5M-18	197" [5M]

Other lengths available, please consult factory

MATERIALS	
BODY:	ANODIZED ALUMINUM
CONTACTS:	GOLD PLATED BRASS
WIRE:	18AWG UL1007/1569
INSERT:	POLYAMIDE
O-RING:	NBR
LOCKNUT:	NICKEL PLATED BRASS
APPROVALS:	
US	UL LISTED
CANADA	C-UL LISTED

**PROPRIETARY AND CONFIDENTIAL**  
 THE INFORMATION CONTAINED IN THIS DRAWING IS THE SOLE PROPERTY OF MENCOM CORPORATION. ANY REPRODUCTION IN PART OR AS A WHOLE WITHOUT THE WRITTEN PERMISSION OF MENCOM CORPORATION IS PROHIBITED.

VOLTS	300V
AMPS	4A
TEMP:	105°C

UNLESS OTHERWISE SPECIFIED: DIMENSIONS ARE IN INCHES AND [MM]	DRAWN BY: JJH
	DRAWN DATE: 10/12/2018
	CHECKED BY: ADM
	CHECK DATE: 10/12/2018
	COMMENTS:
MATERIAL	
FINISH	
DO NOT SCALE DRAWING	

MENCOM CORPORATION		
TITLE: 5 PL MDC ML RECP		
SIZE	DWG. NO.	REV
<b>B</b>	MDC-5MR-PG13.5-ZZ-18	<b>A</b>
SCALE: 2:1	WEIGHT:	SHEET 1 OF 1