

WIRING		
PIN #		PIN #
1	-----	1
2	-----	2
3	-----	3
4	-----	4
5	-----	5

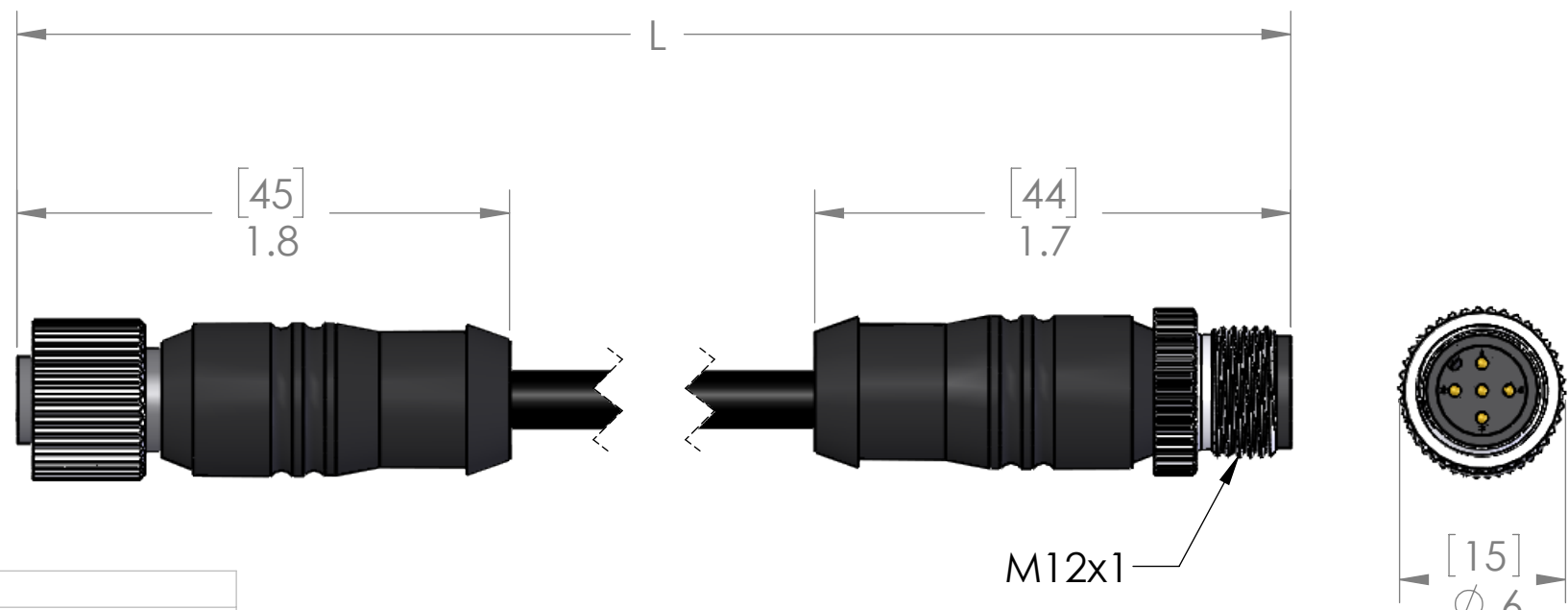


TABLE A		
P/N	L	STD?
MDCWF-5MFP-0.5M-B	20" [0.5M]	NO
MDCWF-5MFP-1M-B	40" [1M]	YES
MDCWF-5MFP-2M-B	79" [2M]	YES
MDCWF-5MFP-3M-B	118" [3M]	NO
MDCWF-5MFP-4M-B	157" [4M]	NO
MDCWF-5MFP-5M-B	197" [5M]	YES
MDCWF-5MFP-6M-B	236" [6M]	NO
MDCWF-5MFP-8M-B	315" [8M]	NO
MDCWF-5MFP-10M-B	393" [10M]	YES
MDCWF-5MFP-15M-B	590" [15M]	YES
MDCWF-5MFP-20M-B	786" [20M]	NO
MDCWF-5MFP-25M-B	983" [25M]	NO
MDCWF-5MFP-30M-B	1179" [30M]	NO

PARTS LISTED AS NOT BEING STANDARD
MAY HAVE MINIMUM ORDER QUANTITIES

MATERIALS	
BODY:	BLACK PVC
CONTACTS:	GOLD PALTED COPPER ALLOY
CABLE:	
STYLE:	AWM
AWG:	22 AWG
JACKET:	BLACK TPE, HIGH FLEX
VOLTAGE:	300V
SHIELD:	NO
FLEX CYCLES:	10 MILLION
COUPLING:	NICKEL PLATED BRASS
INSERT:	POLYAMIDE
O-RING:	FPM
APPROVALS	
A US:	UL LISTED
CANADA:	C-UL LISTED
ROHS:	YES
CE:	YES
RATINGS	
PROTECTION CLASS:	UL TYPE 4 & 12, IEC IP69

PROPRIETARY AND CONFIDENTIAL
THE INFORMATION CONTAINED IN THIS DRAWING IS THE SOLE PROPERTY OF MENCOM CORPORATION. ANY REPRODUCTION IN PART OR AS A WHOLE WITHOUT THE WRITTEN PERMISSION OF MENCOM CORPORATION IS PROHIBITED.

VOLTS	300V
AMPS	4A
TEMP:	105°C

UNLESS OTHERWISE SPECIFIED:	DRAWN BY	ADM
DIMENSIONS ARE IN INCHES AND [MM]	DRAWN DATE	06/28/2023
	CHECKED BY	JJH
	CHECK DATE	06/29/2023
	COMMENTS:	
MATERIAL		
FINISH		
DO NOT SCALE DRAWING		

MENCOM CORPORATION		
TITLE:		
SIZE	DWG. NO.	REV
B	MDCWF-5MFP-ZZ-B	B
SCALE: 1.5:1	WEIGHT:	SHEET 1 OF 1