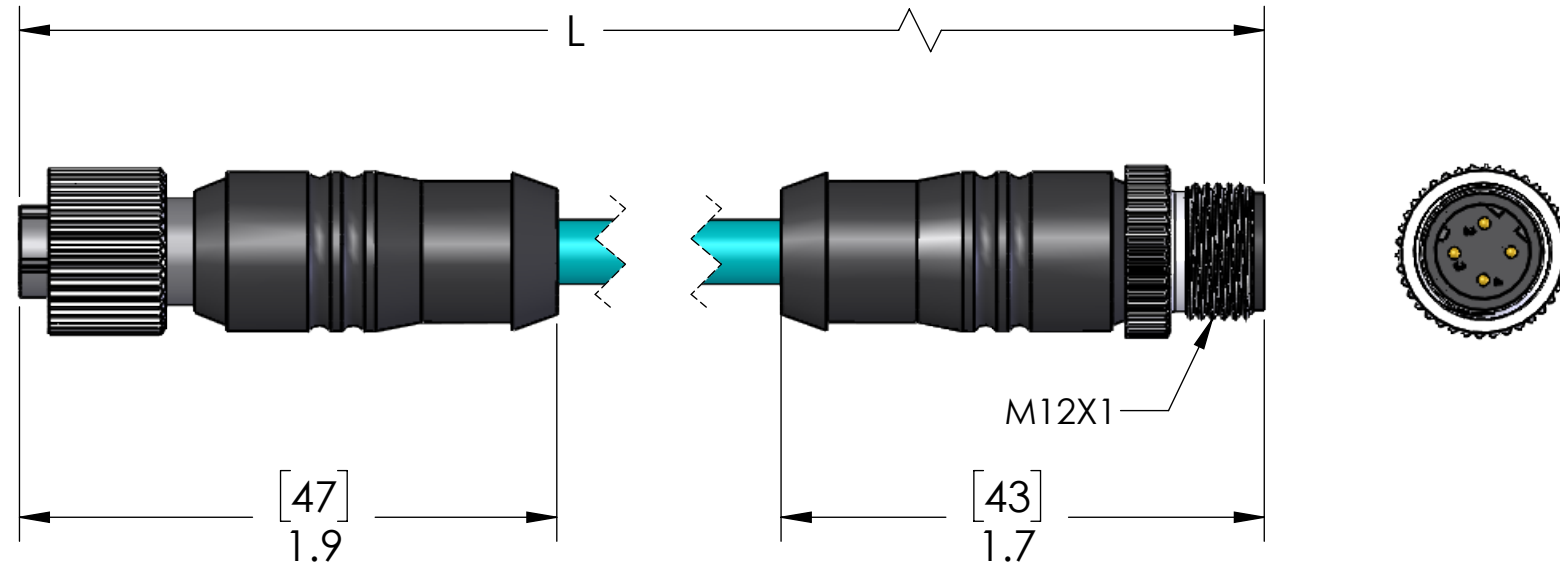
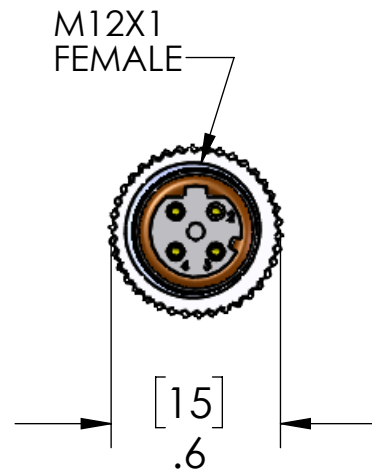


PIN #	COLOR
1	WHITE w/ORANGE
2	WHITE w/GREEN
3	ORANGE
4	GREEN



P/N	L	STD
MDE45P-4MFP-1M	40" [1M]	YES
MDE45P-4MFP-2M	79" [2M]	YES
MDE45P-4MFP-3M	118" [3M]	NO
MDE45P-4MFP-4M	157" [4M]	NO
MDE45P-4MFP-5M	197" [5M]	YES
MDE45P-4MFP-6M	236" [6M]	NO
MDE45P-4MFP-8M	315" [8M]	NO
MDE45P-4MFP-10M	393" [10M]	YES
MDE45P-4MFP-12M	472" [12M]	NO
MDE45P-4MFP-15M	591" [15M]	YES

PARTS LISTED AS NOT BEING STANDARD
MAY REQUIRE MINIMUM ORDERS

B MATERIALS	
BODY:	BLACK PUR
CONTACTS:	GOLD PLATED COPPER ALLOY
CABLE:	
STYLE:	AWM CAT 5e
AWG:	24 AWG
JACKET:	TEAL PUR
VOLTAGE:	600V
SHIELD:	NO
COUPLING:	NICKEL PLATED BRASS
INSERT:	POLYAMIDE
O-RING:	FPM
A APPROVALS	
US:	UL LISTED
CANADA:	C-UL LISTED
ROHS:	YES
CE & UKCA:	YES
RATINGS	
PROTECTION CLASS:	IEC IP69

PROPRIETARY AND CONFIDENTIAL
THE INFORMATION CONTAINED IN THIS DRAWING IS THE SOLE PROPERTY OF MENCOM CORPORATION. ANY REPRODUCTION IN PART OR AS A WHOLE WITHOUT THE WRITTEN PERMISSION OF MENCOM CORPORATION IS PROHIBITED.

VOLTS	300V
AMPS	4A
TEMP:	80°C

UNLESS OTHERWISE SPECIFIED:	DRAWN BY	ADM
DIMENSIONS ARE IN INCHES AND [MM]	DRAWN DATE	08/17/2023
	CHECKED BY	JJH
	CHECK DATE	08/21/2023
MATERIAL	COMMENTS:	
FINISH		
DO NOT SCALE DRAWING		

MENCOM CORPORATION		
TITLE:		
SIZE	DWG. NO.	REV
B	MDE45P-4MFP-ZZ	B
SCALE: 3:2	WEIGHT:	SHEET 1 OF 1