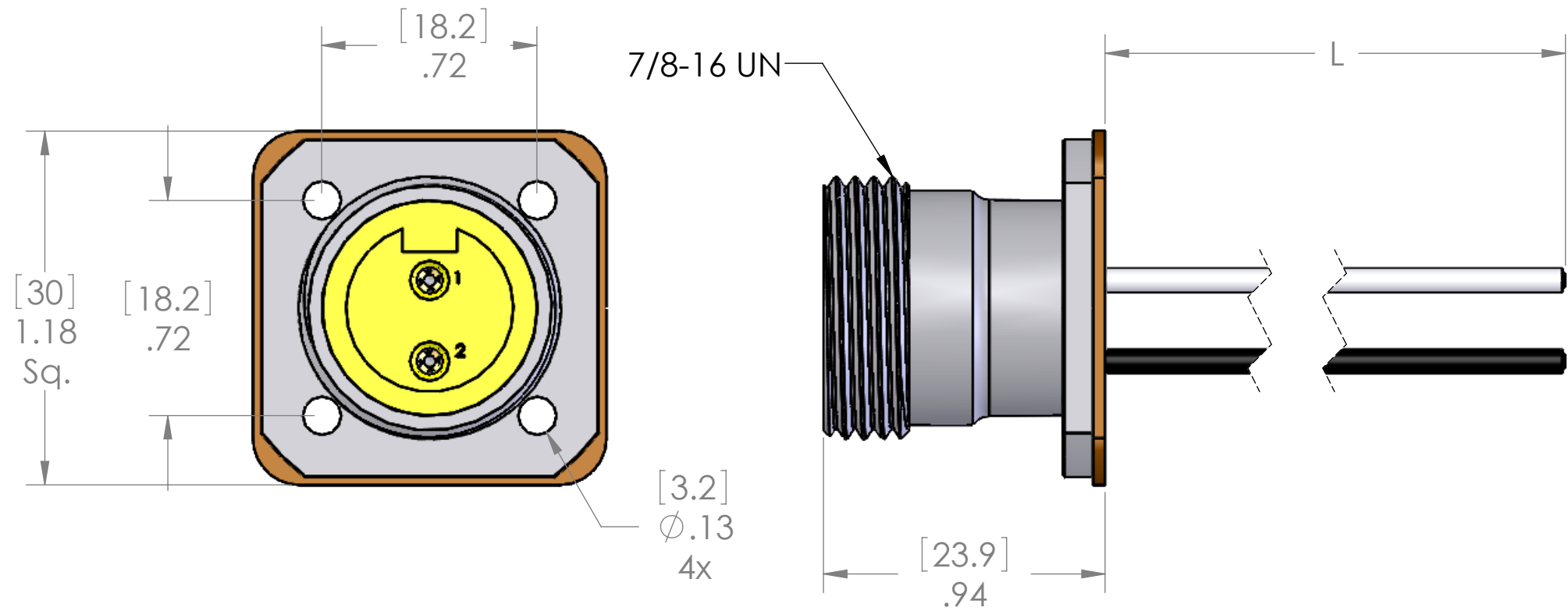


PIN #	COLOR
1	WHITE
2	BLACK



P/N	L
MIN-2FR-1-18-PM	12" [0.3m]
MIN-2FR-2-18-PM	24" [0.6m]
MIN-2FR-3-18-PM	36" [0.9m]
MIN-2FR-4-18-PM	48" [1.2m]
MIN-2FR-5-18-PM	60" [1.5m]
MIN-2FR-6-18-PM	72" 1.8m]
MIN-2FR-10-18-PM	120" [3m]

OTHER LENGTHS ARE AVAILABLE  
PLEASE CONSULT FACTORY

<b>MATERIALS</b>	
SHELL:	CLEAR ANODIZED ALUMINUM
CONTACTS:	GOLD PLATED COPPER ALLOY
<b>WIRES:</b>	
STYLE:	UL 1007/1569
AWG:	18 AWG
JACKET:	PVC
VOLTAGE:	300V
INSERT:	YELLOW PVC
GASKET:	NBR
NUT:	N/A
<b>APPROVALS</b>	
US:	UL LISTED
CANADA:	C-UL LISTED
ROHS:	YES
CE & UKCA:	YES
<b>RATINGS</b>	
PROTECTION CLASS:	UL TYPE 4 & 12, IEC IP69

**PROPRIETARY AND CONFIDENTIAL**  
THE INFORMATION CONTAINED IN THIS DRAWING IS THE SOLE PROPERTY OF MENCOM CORPORATION. ANY REPRODUCTION IN PART OR AS A WHOLE WITHOUT THE WRITTEN PERMISSION OF MENCOM CORPORATION IS PROHIBITED.

VOLTS	300V
AMPS	10A
TEMP:	105°C

UNLESS OTHERWISE SPECIFIED:	DRAWN BY	ADM
DIMENSIONS ARE IN INCHES AND [MM]	DRAWN DATE	09/05/2023
	CHECKED BY	JJH
	CHECK DATE	09/06/2023
COMMENTS:		
MATERIAL		
FINISH		
DO NOT SCALE DRAWING		

MENCOM CORPORATION		
TITLE:		
SIZE	DWG. NO.	REV
<b>B</b>	MIN-2FR-ZZ-18-PM	<b>B</b>
SCALE: 2:1	WEIGHT:	SHEET 1 OF 1