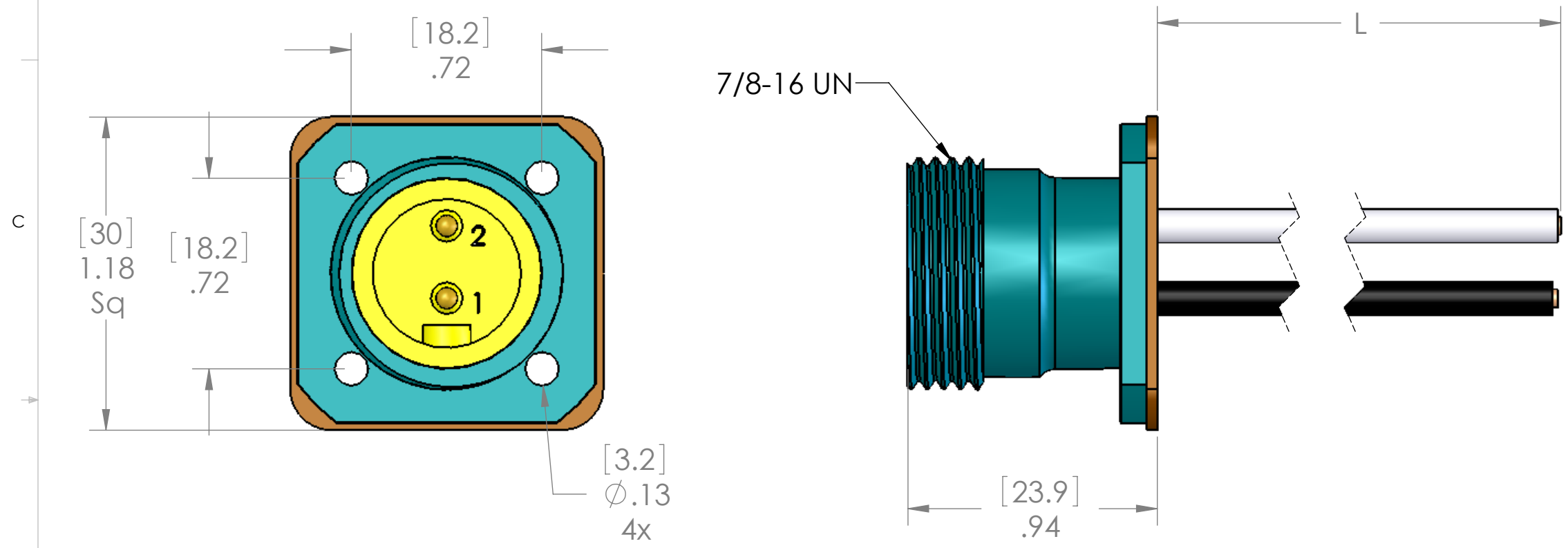


		REVISIONS			
PIN #	COLOR	REV.	DESCRIPTION	DATE	APPROVED
1	WHITE	A	DRAWN IN SW	8/16/2005	
2	BLACK				



MATERIALS	
BODY:	BLUE ANODIZED ALUMINUM
CONTACTS:	GOLD PLATED COPPER ALLOY
INSERT:	YELLOW PVC
WIRE:	16AWG UL1015
GASKET:	NBR

P/N	L
MIN-2MR-1-PM	12" [0.3m]
MIN-2MR-2-PM	24" [0.6m]
MIN-2MR-3-PM	36" [0.9m]
MIN-2MR-4-PM	48" [1.2m]
MIN-2MR-5-PM	60" [1.5m]
MIN-2MR-6-PM	72" [1.8m]
MIN-2MR-10-PM	120" [3m]

APPROVALS	
U.S.	UL LISTED
CANADA	C-UL LISTED

PROPRIETARY AND CONFIDENTIAL
 THE INFORMATION CONTAINED IN THIS DRAWING IS THE SOLE PROPERTY OF MENCOM CORPORATION. ANY REPRODUCTION IN PART OR AS A WHOLE WITHOUT THE WRITTEN PERMISSION OF MENCOM CORPORATION IS PROHIBITED.

VOLTS	600V
AMPS	13A
TEMP	105°C
SPECIFICATIONS	

UNLESS OTHERWISE SPECIFIED:
 DIMENSIONS ARE IN INCHES AND [MM]
 MATERIAL
 FINISH
 DO NOT SCALE DRAWING

NAME	MENCOM CORPORATION		
DRAWN	TITLE:		
CHECKED	SIZE B		
ENG APPR.	DWG. NO. MIN-2MR-ZZ-PM		REV A
MFG APPR.	SCALE: 2:1		WEIGHT:
Q.A.	SHEET 1 OF 1		
COMMENTS:			