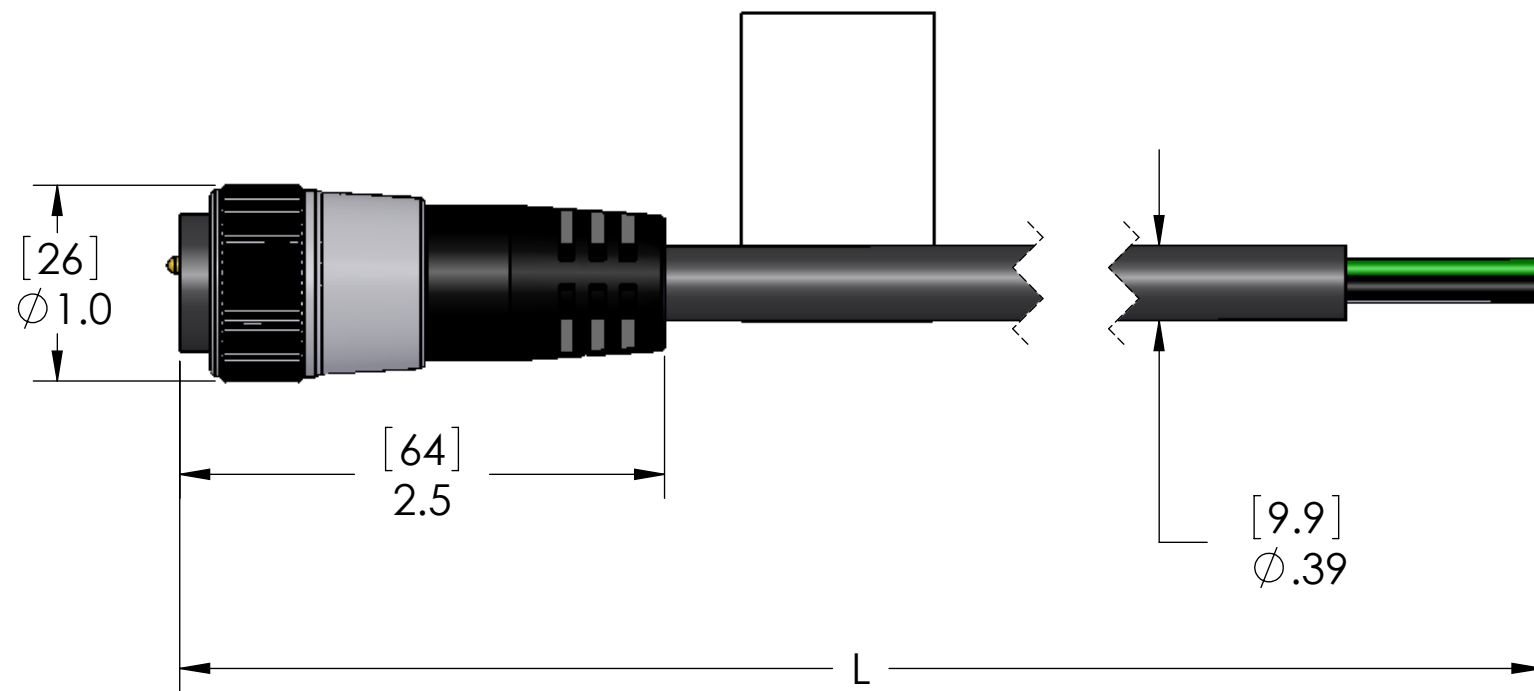
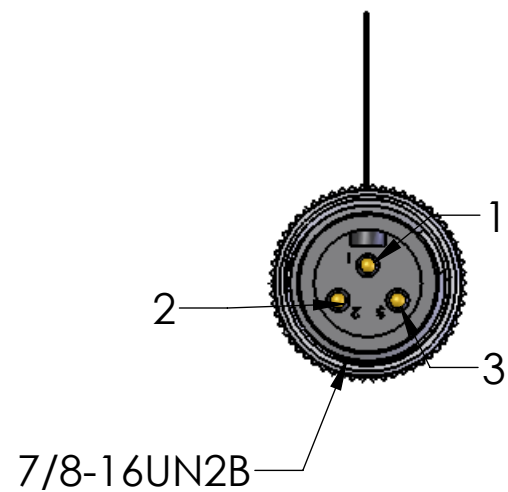


PIN #	COLOR
1	GREEN / YELLOW
2	BLACK
3	WHITE

REVISIONS			
REV.	DESCRIPTION	DATE	APPROVED
A	REDRAWN IN SW	8/26/2009	
B	CHG TO XL NUT	8/20/2013	DCT



P/N	L
MIN-3MP-3-B	36"
MIN-3MP-6-B	72"
MIN-3MP-2M-B	79"
MIN-3MP-12-B	144"
MIN-3MP-15-B	180"
MIN-3MP-20-B	240"
MIN-3MP-30-B	360"

MATERIALS	
BODY:	BLACK PVC
CONTACTS:	GOLD PLATED COPPER ALLOY
CABLE:	16/3 STOW BLACK
COUPLING:	NICKEL PLATED BRASS

APPROVALS:	
US	UL RECOGNIZED
CANADA	C-UL RECOGNIZED

**PROPRIETARY AND CONFIDENTIAL**  
 THE INFORMATION CONTAINED IN THIS DRAWING IS THE SOLE PROPERTY OF MENCOM CORPORATION. ANY REPRODUCTION IN PART OR AS A WHOLE WITHOUT THE WRITTEN PERMISSION OF MENCOM CORPORATION IS PROHIBITED.

VOLTS	600V
AMPS	13A
TEMP	105°C
SPECIFICATIONS	

UNLESS OTHERWISE SPECIFIED:  
 DIMENSIONS ARE IN INCHES AND [MM]  
 MATERIAL  
 FINISH  
 DO NOT SCALE DRAWING

NAME	
DRAWN	DWM
CHECKED	
ENG APPR.	
MFG APPR.	
Q.A.	
COMMENTS:	

MENCOM CORPORATION		
TITLE:		
SIZE	DWG. NO.	REV
<b>B</b>	MIN-3MP-ZZ-B	<b>B</b>
SCALE: 1:1	WEIGHT:	SHEET 1 OF 1