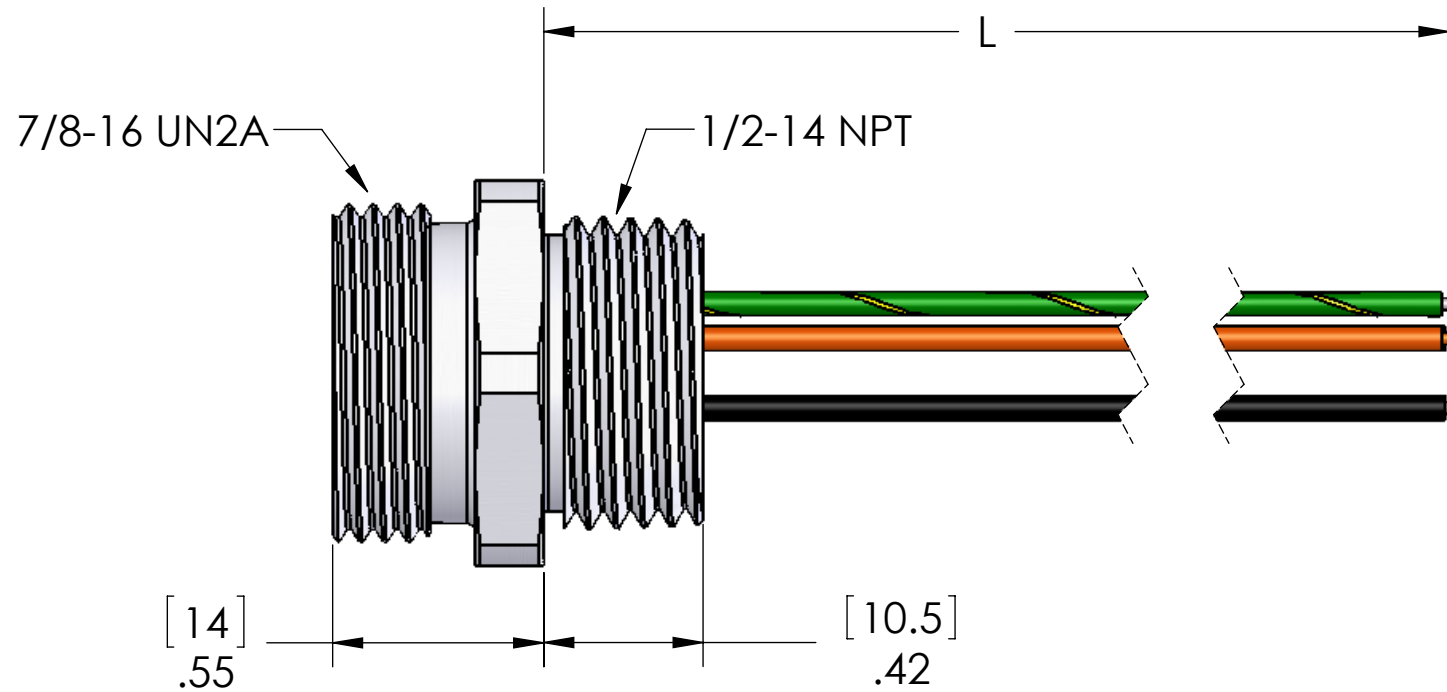
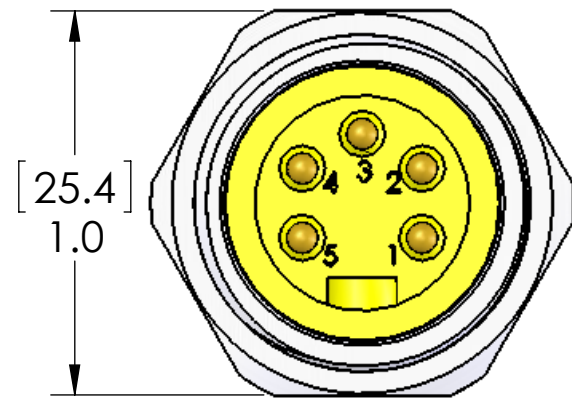


PIN #	COLOR
1	WHITE
2	RED
3	GREEN / YELLOW
4	ORANGE
5	BLACK

REVISIONS			
REV.	DESCRIPTION	DATE	APPROVED
A	REDRAWN IN SW	7/29/2005	



AN O-RING AND LOCKNUT ARE INCLUDED ON LENGTHS OF 24" AND LONGER.

TABLE A	
P/N	L
MIN-5MR-.5-22	6" [0.15M]
MIN-5MR-1-22	12" [0.3M]
MIN-5MR-2-22	24" [0.6M]
MIN-5MR-3-22	36" [0.9M]
MIN-5MR-4-22	48" [1.2M]
MIN-5MR-6-22	72" [1.8M]
MIN-5MR-10-22	120" [3.1M]
MIN-5MR-15-22	180" [4.6M]

PARTS LISTED AS NOT BEING STANDARD MAY HAVE MINIMUM ORDER QUANTITIES

MATERIALS	
<b>BODY:</b>	CLEAR ANODIZED ALUMINUM
<b>CONTACTS:</b>	GOLD PLATED COPPER ALLOY
<b>INSERT:</b>	YELLOW PVC
<b>WIRE:</b>	22AWG UL1007/1569
<b>O-RING:</b>	NBR
<b>LOCKNUT:</b>	ZINC PLATED STEEL
APPROVALS	
U.S.	UL LISTED
CANADA	C-UL LISTED

**PROPRIETARY AND CONFIDENTIAL**  
THE INFORMATION CONTAINED IN THIS DRAWING IS THE SOLE PROPERTY OF MENCOM CORPORATION. ANY REPRODUCTION IN PART OR AS A WHOLE WITHOUT THE WRITTEN PERMISSION OF MENCOM CORPORATION IS PROHIBITED.

VOLTS	300V
AMPS	4A
TEMP	105°C

SPECIFICATIONS

UNLESS OTHERWISE SPECIFIED:	NAME
DIMENSIONS ARE IN INCHES AND [MM]	DRAWN DWM
	CHECKED
	ENG APPR.
	MFG APPR.
	Q.A.
	COMMENTS:
MATERIAL	
FINISH	
DO NOT SCALE DRAWING	

**MENCOM CORPORATION**

TITLE:  
**5 POL MALE RECP 22AWG**

SIZE <b>B</b>	DWG. NO. <b>MIN-5MR-ZZ-22</b>	REV <b>A</b>
SCALE: 2:1	WEIGHT:	SHEET 1 OF 1