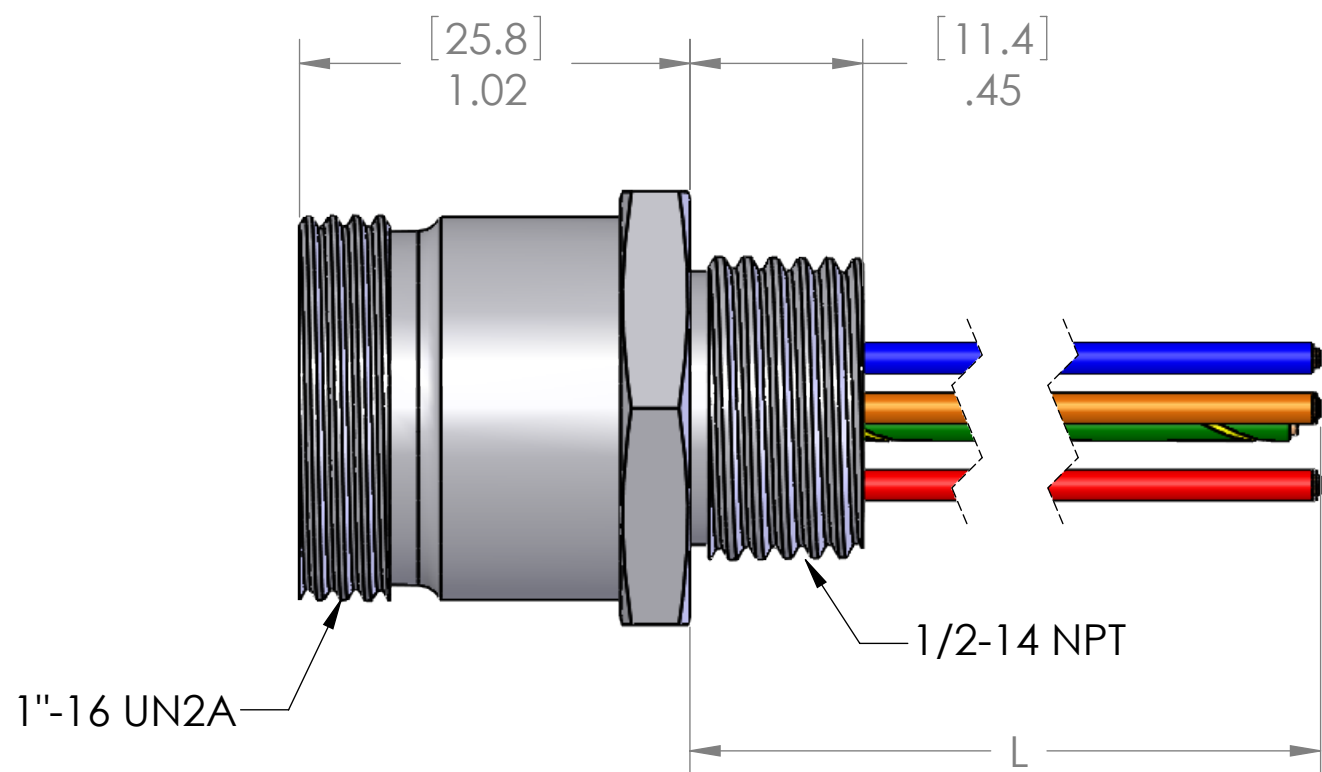
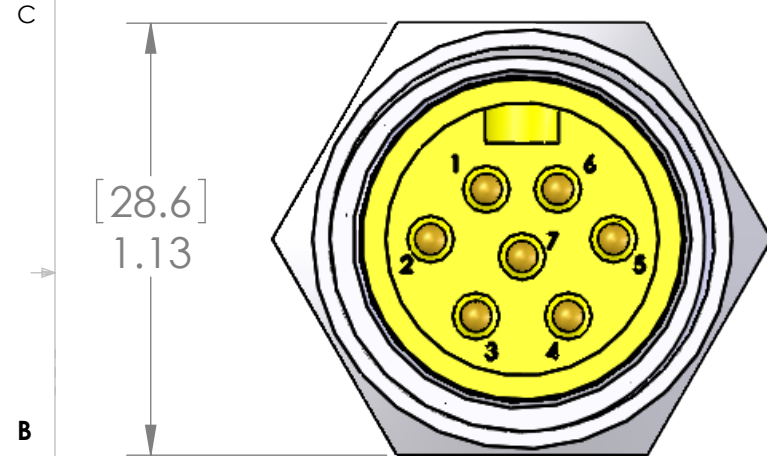


PIN #	COLOR
1	WHITE w/BLACK
2	BLACK
3	WHITE
4	RED
5	ORANGE
6	BLUE
7	GREEN / YELLOW



MATERIALS	
SHELL:	ANODIZED ALUMINUM
CONTACTS:	GOLD PLATED COPPER ALLOY
WIRES:	
STYLE:	UL 1007 / 1569
AWG:	18 AWG
JACKET:	PVC
VOLTAGE:	300V
INSERT:	YELLOW PVC
O-RING:	NBR
NUT:	ZINC PLATED STEEL
APPROVALS	
US:	UL LISTED
CANADA:	C-UL LISTED
ROHS:	YES
CE & UKCA:	YES
RATINGS	
PROTECTION CLASS:	UL TYPE 4 & 12, IEC IP69

1"-16 UN2A

1/2-14 NPT

A LOCKNUT AND O-RING ARE INCLUDED ON LENGTHS OF 24" [0.6m] AND LONGER

TABLE A

P/N	L
MIN-7MR2-1-18	12" [0.3m]
MIN-7MR2-2-18	24" [0.6m]
MIN-7MR2-3-18	39" [1m]
MIN-7MR2-6-18	78" [2m]
MIN-7MR2-10-18	120" [6.1m]

OTHER LENGTHS AVAILABLE
PLEASE CONSULT FACTORY

UNLESS OTHERWISE SPECIFIED: DIMENSIONS ARE IN INCHES AND [MM]	DRAWN BY	ADM
	DRAWN DATE	08/02/2023
	CHECKED BY	ADM
	CHECK DATE	08/02/2023
COMMENTS:		
MATERIAL		
FINISH		
DO NOT SCALE DRAWING		

PROPRIETARY AND CONFIDENTIAL
THE INFORMATION CONTAINED IN THIS DRAWING IS THE SOLE PROPERTY OF MENCOM CORPORATION. ANY REPRODUCTION IN PART OR AS A WHOLE WITHOUT THE WRITTEN PERMISSION OF MENCOM CORPORATION IS PROHIBITED.

VOLTS	300V
AMPS	5A
TEMP:	105°C

MENCOM CORPORATION

TITLE:
7 POL MIN RECP 1/2" NPT

SIZE	DWG. NO.	REV
B	MIN-7MR2-ZZ-18	B
SCALE: 2:1	WEIGHT:	SHEET 1 OF 1