

PIN #	COLOR
1	WHITE w/BLACK
2	BLACK
3	WHITE
4	RED
5	ORANGE
6	BLUE
7	GREEN / YELLOW

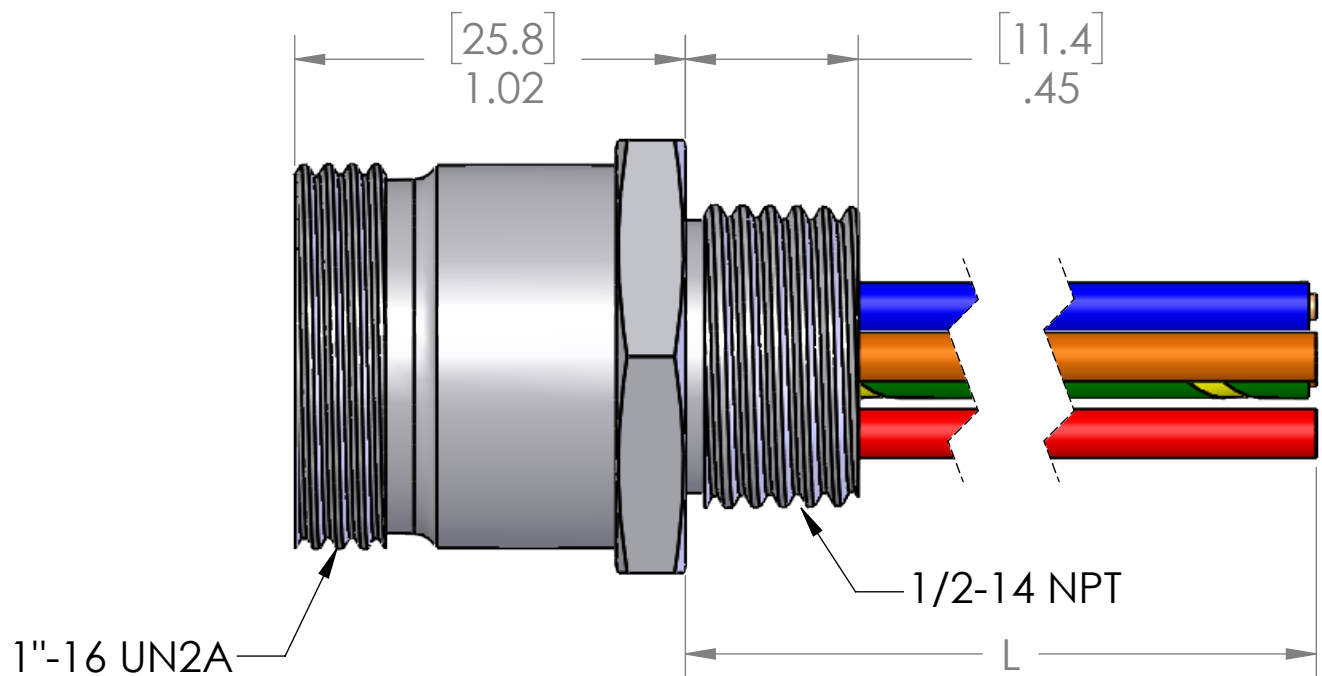
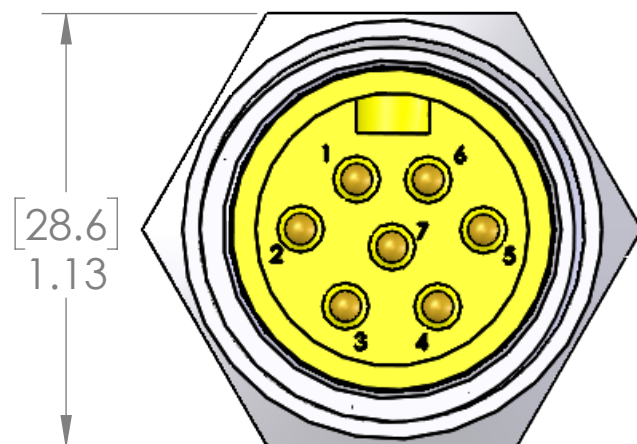


TABLE A	
P/N	L
MIN-7MR2-1	12" [0.3m]
MIN-7MR2-2	24" [0.6m]
MIN-7MR2-3	36" [0.9m]
MIN-7MR2-4	48" [1.2m]
MIN-7MR2-5	60" [1.5m]
MIN-7MR2-6	72" [1.8m]
MIN-7MR2-8	96" [2.4m]
MIN-7MR2-10	120" [3.0m]

A LOCKNUT AND O-RING ARE INCLUDED ON LENGTHS OF 24" AND LONGER

MATERIALS:	
BODY:	CLEAR ANODIZED ALUMINUM
INSERT:	YELLOW PVC
CONTACTS:	GOLD PLATED COPPER ALLOY
WIRE:	16AWG UL1015
O-RING:	BUNA-N
LOCKNUT:	ZINC PLATED STEEL

APPROVALS:	
US	UL LISTED
CANADA	C-UL LISTED

**PROPRIETARY AND CONFIDENTIAL**  
THE INFORMATION CONTAINED IN THIS DRAWING IS THE SOLE PROPERTY OF MENCOM CORPORATION. ANY REPRODUCTION IN PART OR AS A WHOLE WITHOUT THE WRITTEN PERMISSION OF MENCOM CORPORATION IS PROHIBITED.

VOLTS	600V
AMPS	8A
TEMP:	105°C

UNLESS OTHERWISE SPECIFIED:	DRAWN BY	ADM
DIMENSIONS ARE IN INCHES AND [MM]	DRAWN DATE	05/12/2019
	CHECKED BY	JJH
	CHECK DATE	05/13/2019
MATERIAL	COMMENTS:	
FINISH		
DO NOT SCALE DRAWING		

OTHER LENGTHS AVAILABLE PLEASE CONSULT FACTORY

MENCOM CORPORATION		
TITLE:		
7 POL MIN RECP		
SIZE	DWG. NO.	REV
<b>B</b>	MIN-7MR2-ZZ	<b>A</b>
SCALE: 2:1	WEIGHT:	SHEET 1 OF 1